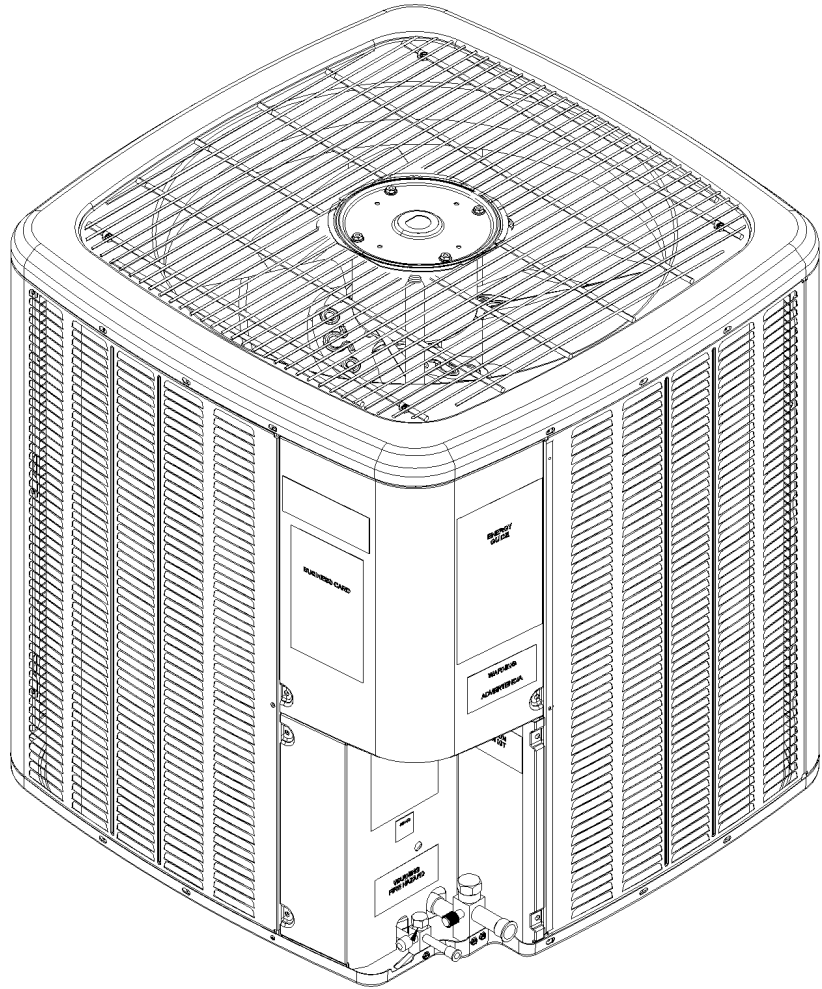


DX13SA Remote Air Conditioner

DX13SA0181AA
DX13SA0181AB
DX13SA0181AC
DX13SA0241AA
DX13SA0241AB
DX13SA0241AC
DX13SA0301AA
DX13SA0301AB
DX13SA0361AA
DX13SA0361AB
DX13SA0421AA
DX13SA0421AB
DX13SA0481AA
DX13SA0481AB
DX13SA0601AA
DX13SA0601AB
DX13SA0611AA
DX13SA0611AB



This manual is to be used by qualified technicians only.

This manual replaces RP-D4005A.

© 2013-2014 **DAIKIN MANUFACTURING COMPANY, L.P.** ♦ 5151 San Felipe St., Suite 500 ♦ Houston, TX 77056

Important Information

Index

Functional Parts List	3
Illustration and Parts	4 - 9

Views shown are for parts illustrations only, not servicing procedures

Text Codes:

AR - As Required

NA - Not Available

NS - Not Shown

00000000 - See Note

QTY - Quantity Example (QTY 3) (If Quantity not shown, Quantity = 1)

M - Model Example (M1) (If M Code not shown, then part is used on all Models)

Expanded Model Nomenclature:

Example M1 - Model#1 M2 - Model#2 M3 - Model#3

Daikin Manufacturing Company, L.P. is not responsible for personal injury or property damage resulting from improper service. Review all service information before beginning repairs.

Warranty service must be performed by an authorized technician, using authorized factory parts. If service is required after the warranty expires, Daikin Manufacturing Company, L.P. also recommends contacting an authorized technician and using authorized factory parts.

Daikin Manufacturing Company, L.P. reserves the right to discontinue, or change at any time, specifications or designs without notice or without incurring obligations.

For assistance within the U.S.A. contact:

Consumer Affairs Department

Daikin North America, LLC

7401 Security Way

Houston, Texas 77040

855-770-5678-Telephone

713-863-2382-Facsimile

For assistance outside the U.S.A. contact:

International Division

Daikin North America, LLC

7401 Security Way

Houston, Texas 77040

713-861-2500-Telephone

713-863-2382-Facsimile

Functional Parts

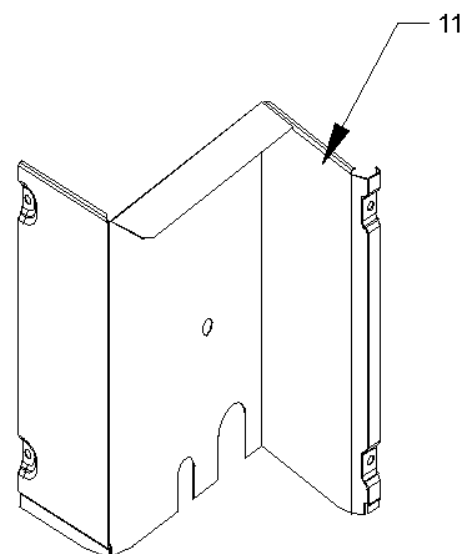
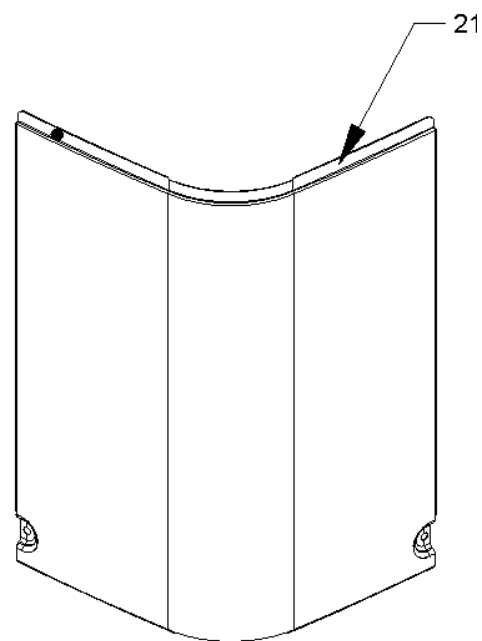
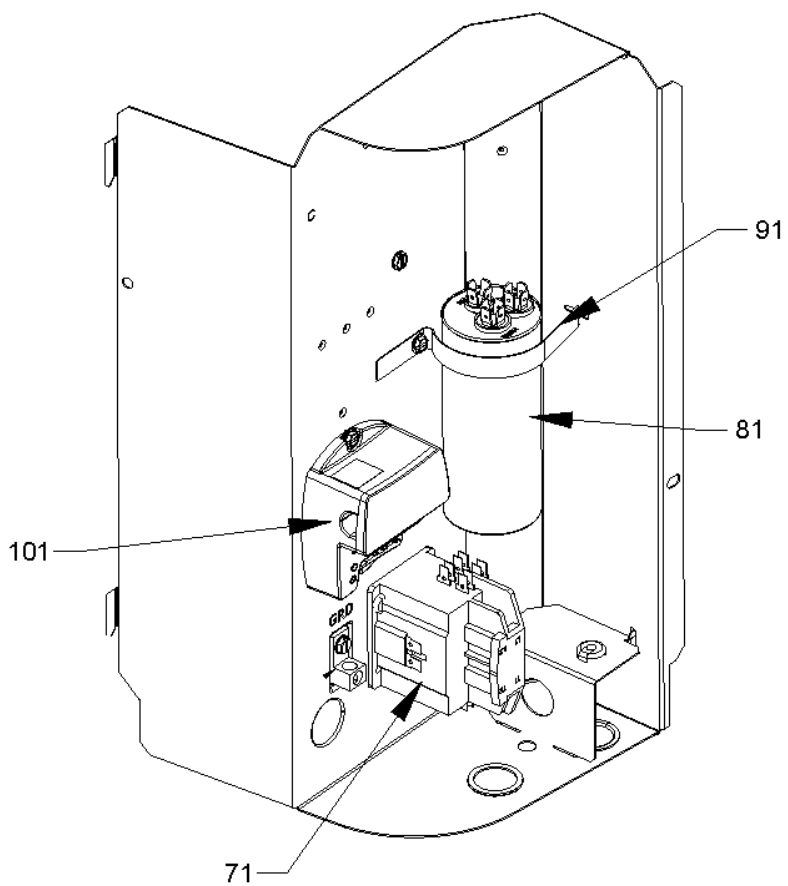
Part No: **Description:**

Part No:	Description:	Expanded Model Nomenclature
B12825171	3/8 BASE VALVE (OPEN)	M1 - DX13SA0181AA
CAP050350440CS	CAP, 5/35 MFD/440V/DUAL RD (M4, M5, M6)	M2 - DX13SA0181AB
CAP050400440RTP	CAP, 5/40 MFD/440V/DUAL RD (M7, M8)	M3 - DX13SA0181AC
CAP050450440RTP	CAP, 5/45 MFD/440V/DUAL RD (M9, M10, M11, M12, M13, M14)	M4 - DX13SA0241AA
CAP050700440RTP	CAP, 5/70 MFD/440V/DUAL RD (M15, M16, M17, M18)	M5 - DX13SA0241AB
CAP050300440RSS	CAPACITOR 5/30/370V (M1, M2, M3)	M6 - DX13SA0241AC
ZP20K5EPFV130	COMP,20000,208/230/60/1 (M4, M5, M6)	M7 - DX13SA0301AA
ZP34K5EPFV130	COMP,34500,208/230/60/1 (M11, M12)	M8 - DX13SA0301AB
ZP49K5EPFV130	COMP,49400,208/230/60/1 (M15, M16)	M9 - DX13SA0361AA
ZP24K5EPFV130	COMPRESSOR 24000, 208/230/60/1 (M7, M8)	M10 - DX13SA0361AB
ZP29K5EPFV130	COMPRESSOR 29000, 208/230/60/1 (M9, M10)	M11 - DX13SA0421AA
ZP39K5EPFV130	COMPRESSOR 39000, 208/230/60/1 (M13, M14)	M12 - DX13SA0421AB
ZP51K5EPFV130	COMPRESSOR 51000, 208/230/60/1 (M17, M18)	M13 - DX13SA0481AA
0131M00018P	COND MOTOR 1/4 HP, 1 SP, 6 PL (M9, M10)	M14 - DX13SA0481AB
CONT1P025024V	CONTACTOR 25 AMP, 1P, 24V (M1, M2, M3, M4, M5, M6, M7, M8, M9, M10, M11, M12)	M15 - DX13SA0601AA
CONT1P030024V	CONTACTOR 30 AMP, 1P, 24V (M13, M14, M15, M16, M17, M18)	M16 - DX13SA0601AB
571006600	CoreSense Module	M17 - DX13SA0611AA
0150M00041	FAN BLADE (M9, M10)	M18 - DX13SA0611AB
0150M00018	FAN BLADE 20" (M1, M2, M3, M4, M5, M6)	
10625738	FAN BLADE 26" ALUM CCW (M17, M18)	
B1086765	FAN BLADE TYPE 3 (M11, M12, M13, M14, M15, M16)	
0150M00012	FAN BLADE-20" CCW (M7, M8)	
0130M00082	LOW PRESSURE SWITCH	
0131M00061	MOTOR, 1/4HP, 1SP, 8PL (M11, M12, M13, M14, M15, M16, M17, M18)	
0131M00266	MOTOR, 1/8 HP 8 PL PSC (M1, M2, M3, M4, M5, M6, M7, M8)	
0151R00032	VALVE, BASE 3/4" OPEN LEFT (M1, M2, M3, M4, M5, M6, M7, M8, M9, M10)	
0151R00033	VALVE, BASE 7/8" OPEN LEFT (M11, M12, M13, M14, M15, M16, M17, M18)	

SPECIAL PARTS

0161R00038	CAP, GRILL
0161R00036	NAMEPLATE, DAIKIN

Control Cover / Control Box



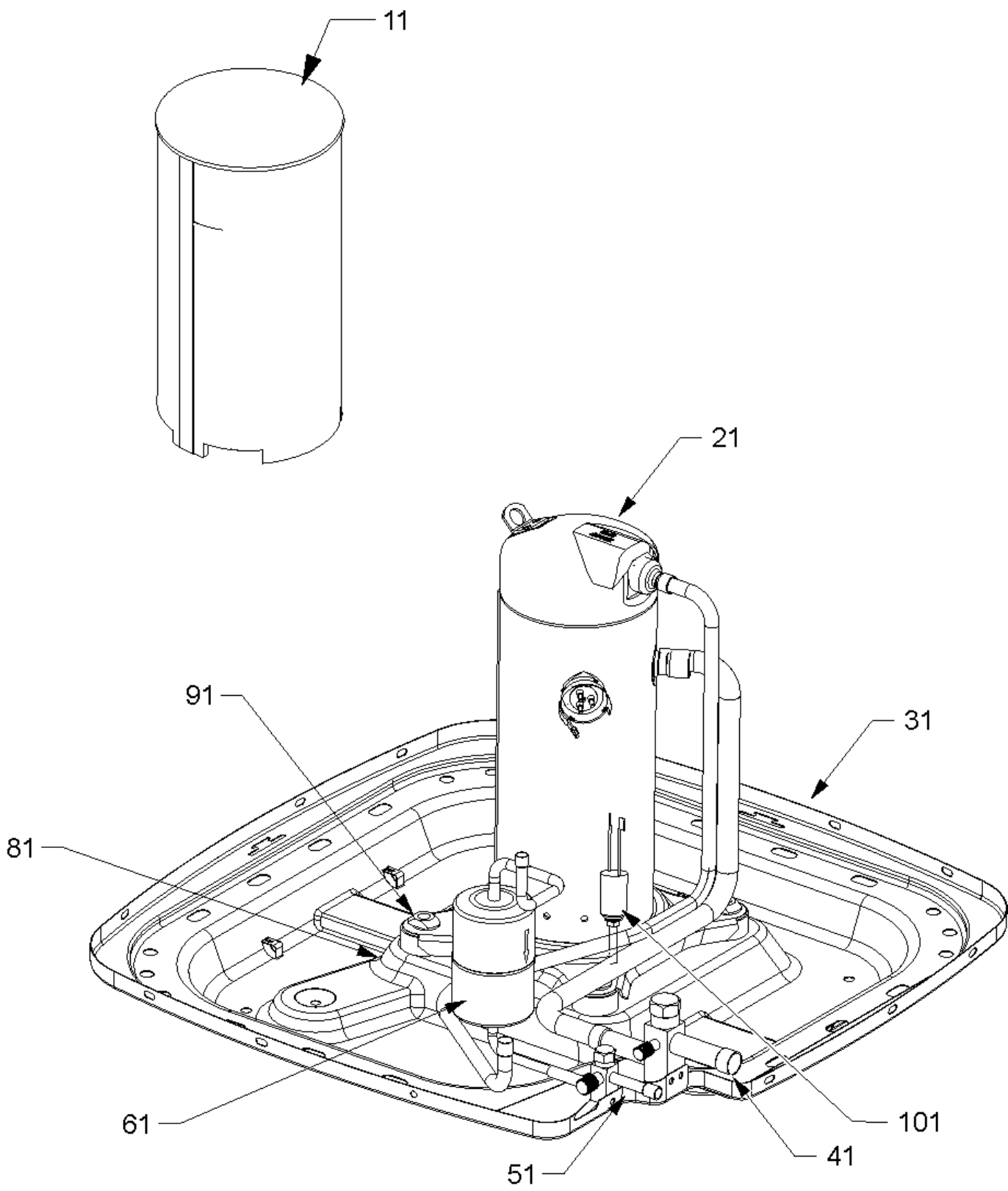
Control Cover / Control Box

Ref. Part No: No:	Description:	Ref. Part No: No:	Description:
Image 1:			
11	0121R00316PNG		PANEL, LOWER ACCESS PNT (M15, M16)
11	0121R00319PNG		PANEL, LOWER ACCESS PNT (M11, M12, M13, M14, M17, M18)
11	0121R00326PNG		PANEL, LOWER ACCESS PNT (M1, M2, M3, M4, M5, M6, M7, M8, M9, M10)
21	0121R00053PNG		CONTROL COVER, SMALL PNT
71	CONT1P025024V		CONTACTOR 25 AMP, 1P, 24V (M1, M2, M3, M4, M5, M6, M7, M8, M9, M10, M11, M12)
71	CONT1P030024V		CONTACTOR 30 AMP, 1P, 24V (M13, M14, M15, M16, M17, M18)
81	4400065		CAPACITOR STRAP
91	CAP050350440CS		CAP, 5/35 MFD/440V/DUAL RD (M4, M5, M6)
91	CAP050400440RTP		CAP, 5/40 MFD/440V/DUAL RD (M7, M8)
91	CAP050450440RTP		CAP, 5/45 MFD/440V/DUAL RD (M9, M10, M11, M12, M13, M14)
91	CAP050700440RTP		CAP, 5/70 MFD/440V/DUAL RD (M15, M16, M17, M18)
91	CAP050300440RSS		CAPACITOR 5/30/370V (M1, M2, M3)
101	571006600		CoreSense Module
NS	0161R00038		CAP, GRILL
NS	0161R00036		NAMEPLATE, DAIKIN

Expanded Model Nomenclature

M1 - DX13SA0181AA
M2 - DX13SA0181AB
M3 - DX13SA0181AC
M4 - DX13SA0241AA
M5 - DX13SA0241AB
M6 - DX13SA0241AC
M7 - DX13SA0301AA
M8 - DX13SA0301AB
M9 - DX13SA0361AA
M10 - DX13SA0361AB
M11 - DX13SA0421AA
M12 - DX13SA0421AB
M13 - DX13SA0481AA
M14 - DX13SA0481AB
M15 - DX13SA0601AA
M16 - DX13SA0601AB
M17 - DX13SA0611AA
M18 - DX13SA0611AB

Compressor / Tubing Assembly



Compressor / Tubing Assembly

**Ref. Part
No: No:**

Description:

**Ref. Part
No: No:**

Description:

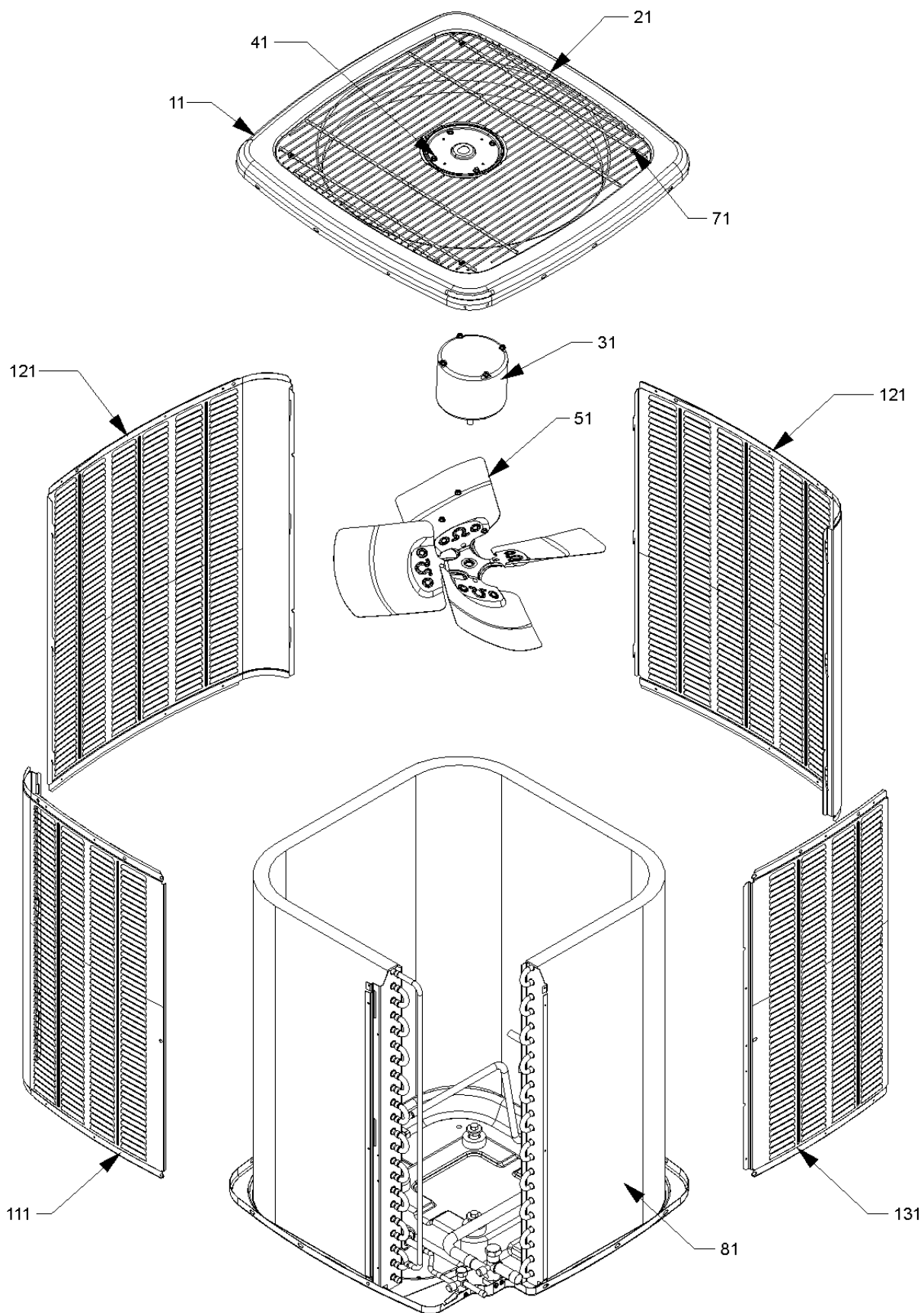
Image 1:

11	B1488806	COMPRESSOR SOUND BLANKET (M17, M18)
11	B1488807	COMPRESSOR SOUND BLANKET (M11, M12, M13, M14, M15, M16)
11	B1488810	COMPRESSOR SOUND BLANKET (M1, M2, M3, M4, M5, M6, M7, M8, M9, M10)
21	ZP20K5EPFV130	COMP,20000,208/230/60/1 (M4, M5, M6)
21	ZP34K5EPFV130	COMP,34500,208/230/60/1 (M11, M12)
21	ZP49K5EPFV130	COMP,49400,208/230/60/1 (M15, M16)
21	ZP24K5EPFV130	COMPRESSOR 24000, 208/230/60/1 (M7, M8)
21	ZP29K5EPFV130	COMPRESSOR 29000, 208/230/60/1 (M9, M10)
21	ZP39K5EPFV130	COMPRESSOR 39000, 208/230/60/1 (M13, M14)
21	ZP51K5EPFV130	COMPRESSOR 51000, 208/230/60/1 (M17, M18)
31	0121R00005PNG	BASE PAN, 26" PNT (M1, M2, M3, M4, M5, M6, M7, M8, M9, M10)
31	0121R00006PNG	BASE PAN, 29" PNT (M11, M12, M13, M14, M15, M16)
31	0121R00007PNG	BASE PAN, 35.5" PNT (M17, M18)
41	0151R00032	VALVE, BASE 3/4" OPEN LEFT (M1, M2, M3, M4, M5, M6, M7, M8, M9, M10)
41	0151R00033	VALVE, BASE 7/8" OPEN LEFT (M11, M12, M13, M14, M15, M16, M17, M18)
51	B12825171	3/8 BASE VALVE (OPEN)
61	0162R00009	FILTER DRIER
81	B1339533	COMPRESSOR GROMMET (QTY 4)
91	M0221641	TF SHOULDER SCREW (QTY 4)
101	0130M00082	LOW PRESSURE SWITCH
NS	0159R00000P	COMPRESSOR SCROLL HARNESS (M1, M2, M3, M4, M5, M6, M7, M8, M9, M10)
NS	0159R00002P	COMPRESSOR SCROLL HARNESS (M11, M12, M13, M14, M15, M16, M17, M18)
NS	B1789886	FLOW CHECK PISTON KIT (M15, M16, M17, M18)
NS	B1789851	FLOW CHECK PISTON KIT .051 (M1, M2, M3)
NS	B1789857	FLOW CHECK PISTON KIT .057 (M4, M5, M6)
NS	B1789861	FLOW CHECK PISTON KIT .061 (M7, M8)
NS	B1789870	FLOW CHECK PISTON KIT .070 (M9, M10)
NS	B1789876	FLOW CHECK PISTON KIT .076 (M11, M12)
NS	B1789880	FLOW CHECK PISTON KIT .080 (M13, M14)

Expanded Model Nomenclature

M1 - DX13SA0181AA
M2 - DX13SA0181AB
M3 - DX13SA0181AC
M4 - DX13SA0241AA
M5 - DX13SA0241AB
M6 - DX13SA0241AC
M7 - DX13SA0301AA
M8 - DX13SA0301AB
M9 - DX13SA0361AA
M10 - DX13SA0361AB
M11 - DX13SA0421AA
M12 - DX13SA0421AB
M13 - DX13SA0481AA
M14 - DX13SA0481AB
M15 - DX13SA0601AA
M16 - DX13SA0601AB
M17 - DX13SA0611AA
M18 - DX13SA0611AB

Cabinet Top / Side Panels / Condenser



Cabinet Top / Side Panels / Condenser

Ref. Part No: No:	Description:	Ref. Part No: No:	Description:
Image 1:		Expanded Model Nomenclature	
11	0121R00009PNG PANEL, VENTURI 26" PNT (M1, M2, M3, M4, M5, M6, M7, M8, M9, M10)	M1	- DX13SA0181AA
11	0121R00011PNG PANEL, VENTURI 29" PNT (M11, M12, M13, M14, M15, M16)	M2	- DX13SA0181AB
11	0121R00013PNG PANEL, VENTURI 35" PNT (M17, M18)	M3	- DX13SA0181AC
21	0152R00010 GRILLE, WIRE 26" TOP (M1, M2, M3, M4, M5, M6, M7, M8, M9, M10)	M4	- DX13SA0241AA
21	0152R00011 GRILLE, WIRE 29" TOP (M11, M12, M13, M14, M15, M16)	M5	- DX13SA0241AB
21	0152R00014 GRILLE, WIRE 35" TOP (M17, M18)	M6	- DX13SA0241AC
31	0131M00018P COND MOTOR 1/4 HP, 1 SP, 6 PL (M9, M10)	M7	- DX13SA0301AA
31	0131M00061 MOTOR, 1/4HP, 1SP, 8PL (M11, M12, M13, M14, M15, M16, M17, M18)	M8	- DX13SA0301AB
31	0131M00266 MOTOR, 1/8 HP 8 PL PSC (M1, M2, M3, M4, M5, M6, M7, M8)	M9	- DX13SA0361AA
41	M0280801 HEX NUT (QTY 4)	M10	- DX13SA0361AB
51	0150M00041 FAN BLADE (M9, M10)	M11	- DX13SA0421AA
51	0150M00018 FAN BLADE 20" (M1, M2, M3, M4, M5, M6)	M12	- DX13SA0421AB
51	10625738 FAN BLADE 26" ALUM CCW (M17, M18)	M13	- DX13SA0481AA
51	B1086765 FAN BLADE TYPE 3 (M11, M12, M13, M14, M15, M16)	M14	- DX13SA0481AB
51	0150M00012 FAN BLADE-20" CCW (M7, M8)	M15	- DX13SA0601AA
71	0163M00003P SCREW #10 X 1/2, A, SLOT, SR, BLACK (QTY 6)	M16	- DX13SA0601AB
81	0201R00242 COIL TUBING ASSY (M11, M13)	M17	- DX13SA0611AA
81	0201R00268 COIL TUBING ASSY (M1, M4)	M18	- DX13SA0611AB
81	0201R00311 COIL TUBING ASSY (M17)		
81	0201R00349 COIL TUBING ASSY (M16)		
81	0201R00385 COIL TUBING ASSY (M18)		
81	0201R00458 COIL TUBING ASSY (M8, M10)		
81	0201R00463 COIL TUBING ASSY (M15)		
81	0201R00472 COIL TUBING ASSY (M12, M14)		
81	0201R00492 COIL TUBING ASSY (M7, M9)		
81	0201R00510 COIL TUBING ASSY (M2, M3, M5, M6)		
111	0121R00202PNGB PANEL 1, BENT LOUVER PNT (M11, M12, M13, M14)		
111	0121R00203PNGB PANEL 1, BENT LOUVER PNT (M15, M16)		
111	0121R00207PNGB PANEL 1, BENT LOUVER PNT (M1, M2, M3, M4, M5, M6, M7, M8, M9, M10)		
111	0121R00239PNGB PANEL 1, BENT LOUVER PNT (M17, M18)		
121	0121R00198PNGB PANEL 2, BENT LOUVER (M1, M2, M3, M4, M5, M6, M7, M8, M9, M10)		
121	0121R00205PNGB PANEL 2, BENT LOUVER (M11, M12, M13, M14)		
121	0121R00206PNGB PANEL 2, BENT LOUVER (M15, M16)		
121	0121R00243PNGB PANEL 2, BENT LOUVER (M17, M18)		
131	0121R00194PNG PANEL 3, LOUVER (M11, M12, M13, M14)		
131	0121R00195PNG PANEL 3, LOUVER (M15, M16)		
131	0121R00196PNG PANEL 3, LOUVER (M1, M2, M3, M4, M5, M6, M7, M8, M9, M10)		
131	0121R00247PNG PANEL 3, LOUVER (M17, M18)		
NS	0161R00000P CONDUIT (M1, M2, M3, M4, M5, M6, M7, M8, M9, M10)		
NS	0161R00002P CONDUIT (M11, M12, M13, M14, M15, M16)		
NS	0161R00004P CONDUIT (M17, M18)		