

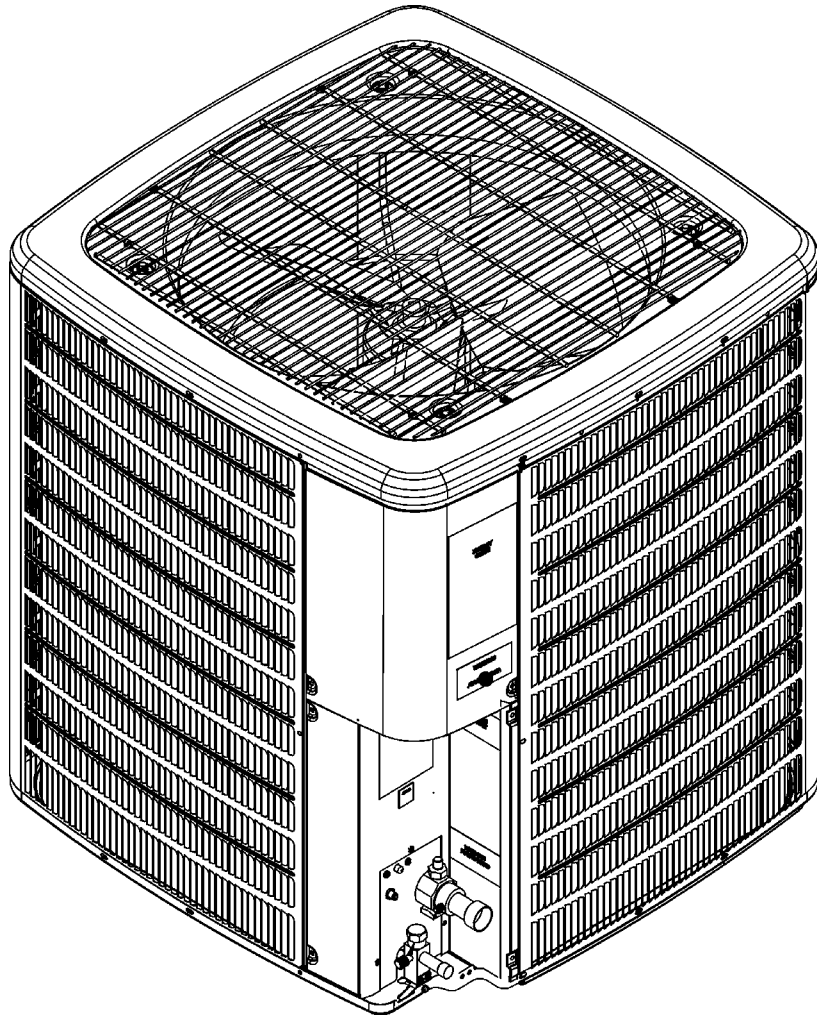
## **DX11SA Remote Condensing Unit (3-Phase)**

DX11SA0903AA

DX11SA0904AA

DX11SA1203AA

DX11SA1204AA



This manual is to be used by qualified technicians only.

© 2013 Daikin Manufacturing Company, L.P. ♦ 5151 San Felipe St., Suite 500 ♦ Houston, TX 77056

# Important Information

---

## Index

Functional Parts List .....	3
Illustration and Parts .....	4 - 9

*Views shown are for parts illustrations only, not servicing procedures.*

Introduction of the Daikin branded products

### Text Codes:

AR - As Required

NA - Not Available

NS - Not Shown

00000000 - See Note

QTY - Quantity Example (QTY 3) (If Quantity not shown, Quantity = 1)

M - Model Example (M1) (If M Code not shown, then part is used on all Models)

### Expanded Model Nomenclature:

Example M1 - Model#1 M2 - Model#2 M3 - Model#3
---

Daikin Manufacturing Company, L.P. is not responsible for personal injury or property damage resulting from improper service. Review all service information before beginning repairs.

Warranty service must be performed by an authorized technician, using authorized factory parts. If service is required after the warranty expires, Daikin Manufacturing Company, L.P. also recommends contacting an authorized technician and using authorized factory parts.

Daikin Manufacturing Company, L.P. reserves the right to discontinue, or change at any time, specifications or designs without notice or without incurring obligations.

For assistance within the U.S.A. contact:

Consumer Affairs Department  
Daikin North America, LLC  
7401 Security Way  
Houston, Texas 77040  
855-770-5678-Telephone  
713-863-2382-Facsimile

For assistance outside the U.S.A. contact:

International Division  
Daikin North America, LLC  
7401 Security Way  
Houston, Texas 77040  
713-861-2500-Telephone  
713-863-2382-Facsimile

# Functional Parts

## Part

## No: Description:

---

B1282573	5/8" SERVICE VALVE
CAP200000440RP	CAPACITOR 20/370V
ZP103KCETF5155	COMP, 105,000, 200/230/60/3 (M3)
ZP103KCETFD250	COMP, 105000, 460/60/3 (M4)
ZP83KCETFD130	COMP, 83000, 200/230/60/3 (M2)
ZP83KCETF5250	COMPRESSOR, 83000, 200/230/60/3 (M1)
0131M00040	COND MOTOR 1 HP, 1 SP, 230V (M1, M3)
0131M00041	COND MOTOR 1 HP, 1 SP, 460V (M2, M4)
CONT3P040024V	CONTACTOR 40 AMP, 3P, 24V
0130L00023	CRANK CASE HEATER 70W 240V (M1)
0130L00024	CRANK CASE HEATER 70W, 480V (M2)
0163R00008	CRANKCASE HEATER, 460V, 90W (M4)
0163R00009	CRANKCASE HEATER, 240V, 90W (M3)
B1086768	FAN BLADE 26"
0130M00089	HIGH PRESSURE SWITCH
0130R00000	LOW PRESSURE SWITCH
0151R00030	VALVE, BALL

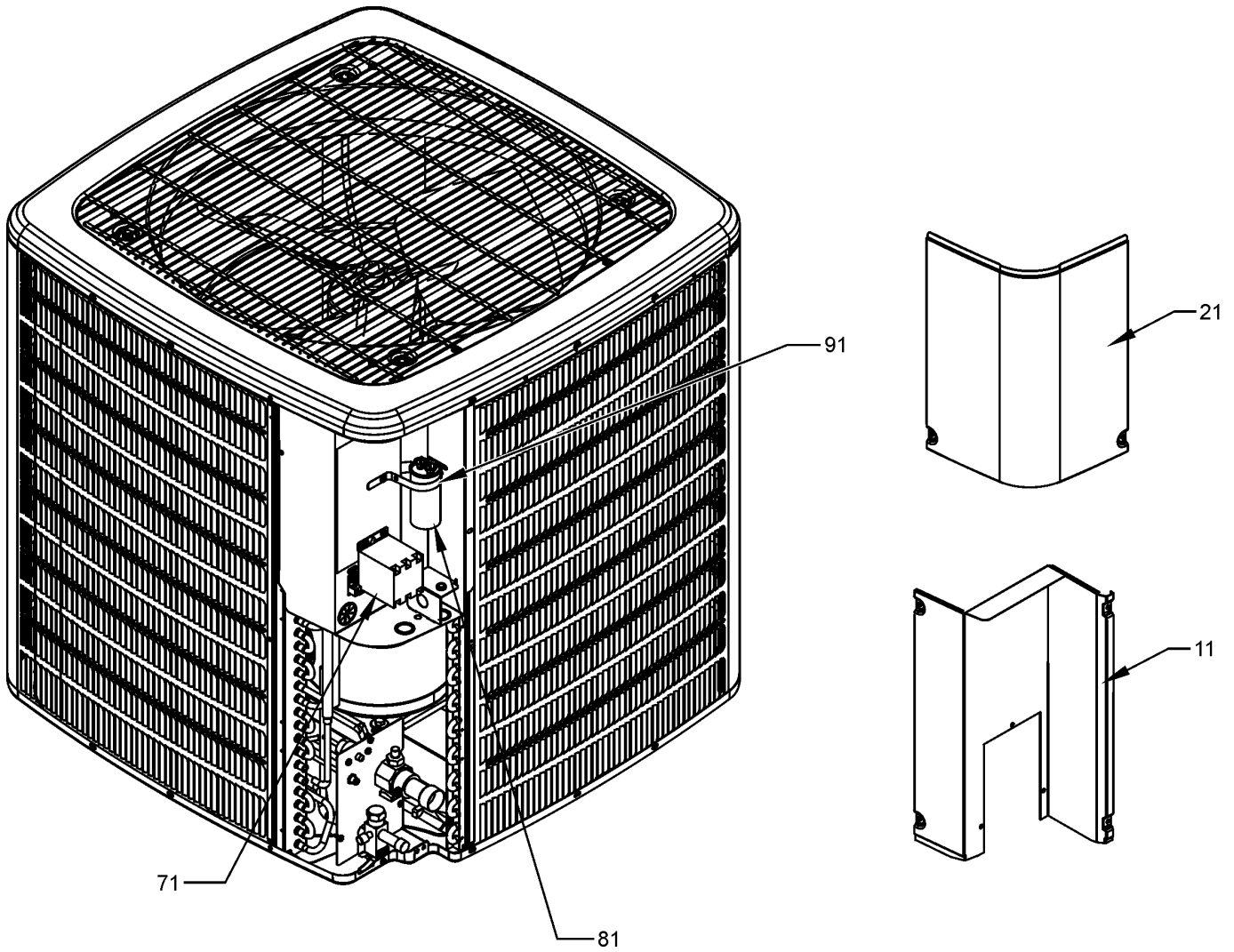
### SPECIAL PARTS

0161R00037 NAMEPLATE, DAIKIN

### Expanded Model Nomenclature

M1 - DX11SA0903AA
M2 - DX11SA0904AA
M3 - DX11SA1203AA
M4 - DX11SA1204AA

# Control Box / Control Cover



# Control Box / Control Cover

Ref. Part No:	No:	Description:	Ref. Part No:	No:	Description:
---------------	-----	--------------	---------------	-----	--------------

---

Image 1:

11	0121R00330PNG	LOWER ACCESS PANEL
21	0121R00053PNG	CONTROL COVER, SMALL PNT
71	CONT3P040024V	CONTACTOR 40 AMP, 3P, 24V
81	CAP200000440RP	CAPACITOR 20/370V
91	4400065	CAPACITOR STRAP
NS	0161R00037	NAMEPLATE, DAIKIN
NS	B1372801	SIGHT GLASS CL90/120

Expanded Model Nomenclature

M1 - DX11SA0903AA
M2 - DX11SA0904AA
M3 - DX11SA1203AA
M4 - DX11SA1204AA

# Compressor / Tubing Assembly

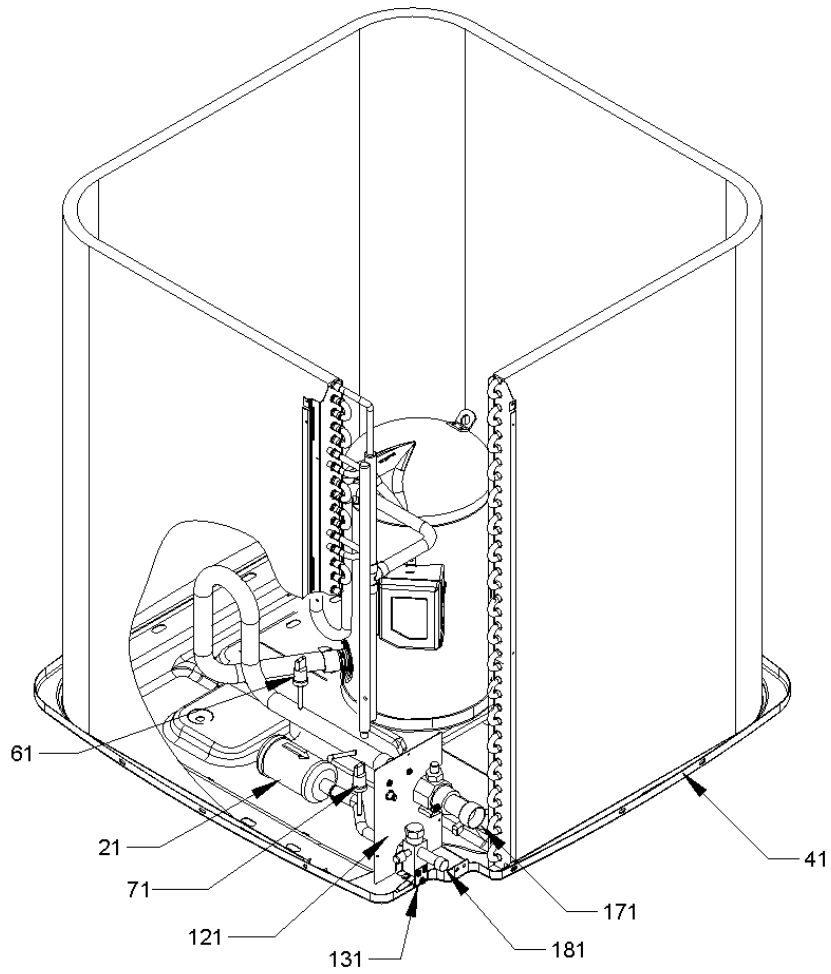


Image 1

Image 2

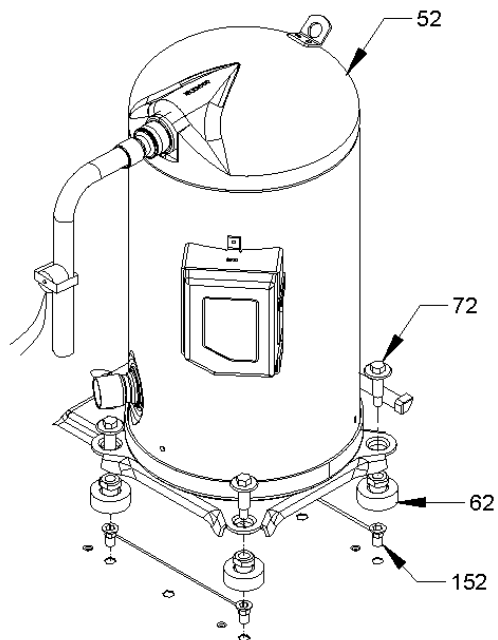
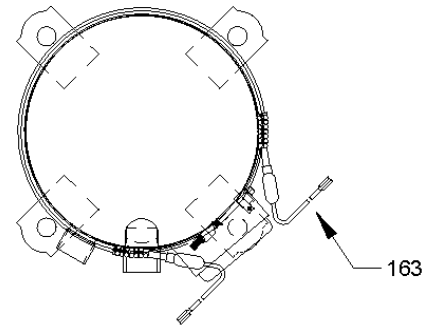


Image 3



TOP VIEW OF COMPRESSOR

# Compressor / Tubing Assembly

Ref. Part No: No:	Description:	Ref. Part No: No:	Description:
-------------------	--------------	-------------------	--------------

*Image 1:*

21	B1219228	FILTER DRIER
41	0121R00007PNG	BASE PAN, 35.5" PNT
61	0130R00000	LOW PRESSURE SWITCH
71	0130M00089	HIGH PRESSURE SWITCH
121	0121R00300PNG	PANEL, BALL VALVE MOUNTING
131	4400031	VALVE BRACKET
171	0151R00030	VALVE, BALL
181	B1282573	5/8" SERVICE VALVE
NS	0159G00003	COMPRESSOR HARNESS (M2)
NS	0159L00053	HARNESS, COMP SCROLL (M3)

*Image 2:*

52	ZP103KCETF5155	COMP, 105,000, 200/230/60/3 (M3)
52	ZP103KCETFD250	COMP, 105000, 460/60/3 (M4)
52	ZP83KCETFD130	COMP, 83000, 200/230/60/3 (M2)
52	ZP83KCETF5250	COMPRESSOR, 83000, 200/230/60/3 (M1)
62	0164M00018	COMPRESSOR GROMMET (QTY 4)
72	B1393740	COMPRESSOR BOLT & SLEEVE (QTY 4)
152	B1393027	HEX NUT INSERT 5/16-18 (QTY 4)

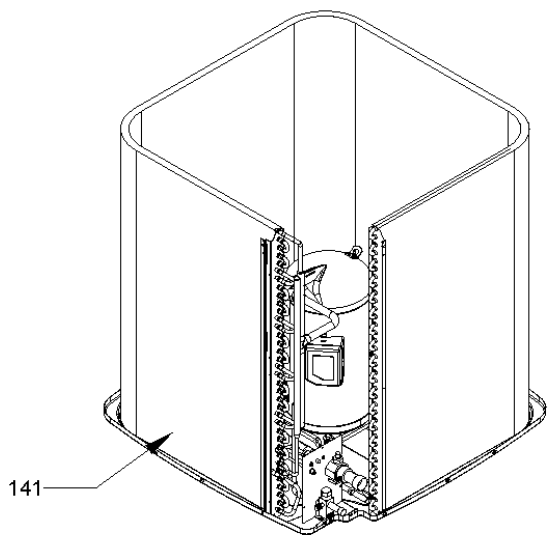
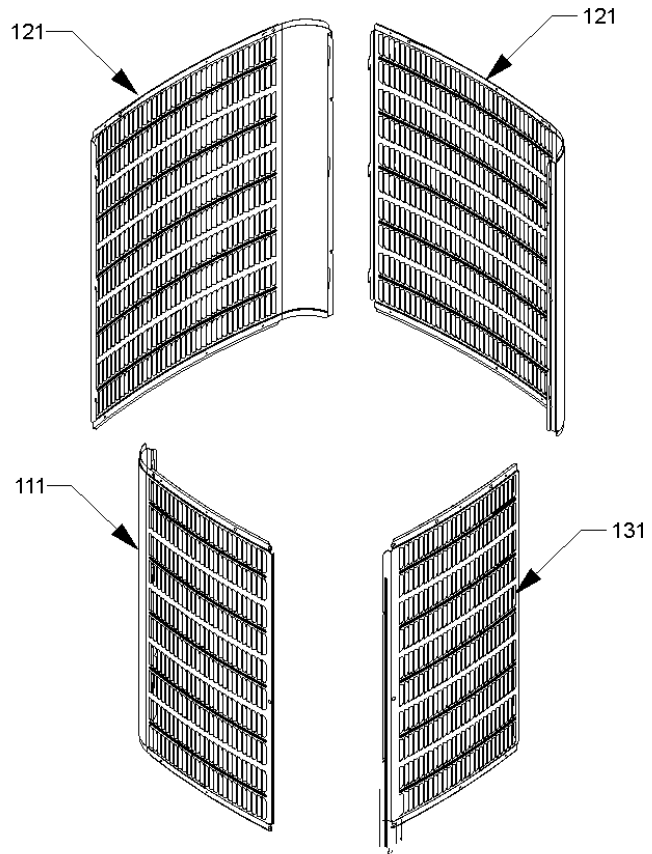
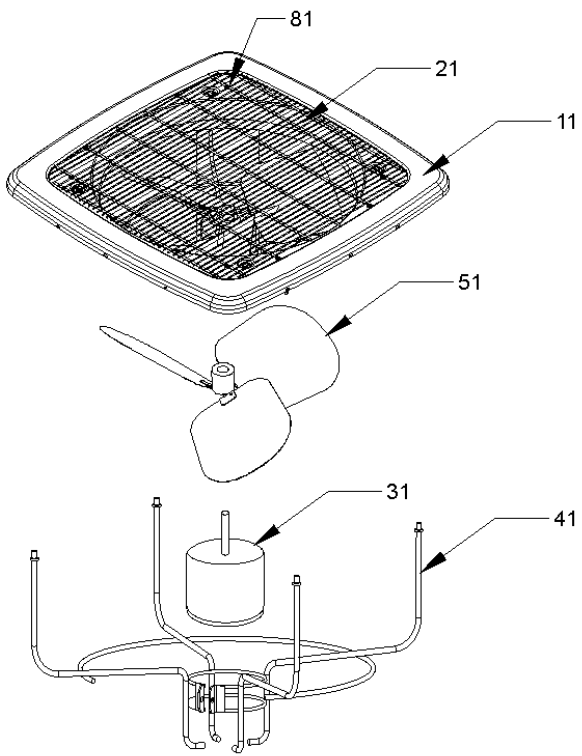
*Image 3:*

163	0130L00023	CRANK CASE HEATER 70W 240V (M1)
163	0130L00024	CRANK CASE HEATER 70W, 480V (M2)
163	0163R00008	CRANKCASE HEATER, 460V, 90W (M4)
163	0163R00009	CRANKCASE HEATER, 240V, 90W (M3)

Expanded Model Nomenclature

M1 - DX11SA0903AA
M2 - DX11SA0904AA
M3 - DX11SA1203AA
M4 - DX11SA1204AA

# Cabinet Top / Coil / Side Panels





# Cabinet Top / Coil / Side Panels

**Ref. Part****No: No:****Description:****Ref. Part****No: No:****Description:***Image 1:*

11	0121R00013PNG	VENTURI TOP PANEL 35"
21	0152R00013	GRILL, WIRE 35" COM TOP
31	0131M00040	COND MOTOR 1 HP, 1 SP, 230V (M1, M3)
31	0131M00041	COND MOTOR 1 HP, 1 SP, 460V (M2, M4)
41	0121R00301	BRACKET, MOTOR MOUNTING
51	B1086768	FAN BLADE 26"
81	0163M00003P	SCREW #10 X 1/2, A, SLOT, SR, BLACK
111	0121R00043PNGB	LOUVERED SIDE PANEL [LT OF CNTL PNL]
121	0121R00047PNGB	LOUVERED SIDE PANEL (QTY 2)
131	0121R00051PNG	LOUVERED SIDE PANEL [RT OF CNTL PNL]
141	0201R00377	TUBING ASSY, COND COIL

## Expanded Model Nomenclature

M1 - DX11SA0903AA

M2 - DX11SA0904AA

M3 - DX11SA1203AA

M4 - DX11SA1204AA