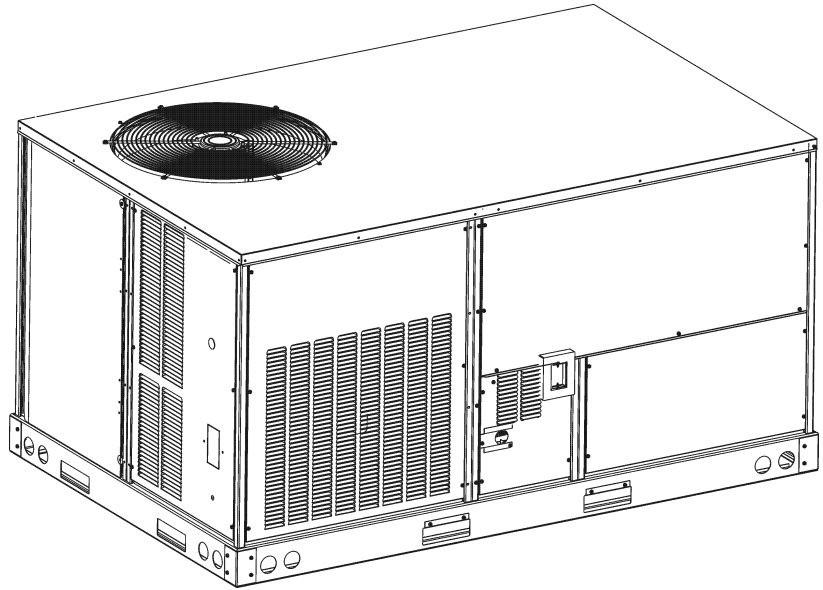


## Commercial High Efficient 4 Ton Package Gas Units (Direct Drive)

DTG0480901DXSXAA  
DTG0480901DXXXAA  
DTG0480903DXXXAA  
DTG0481151DXSXAA  
DTG0481151DXXXAA  
DTG0481153DXXXAA



This manual is to be used by qualified technicians only.

This manual replaces RP-D1079A.

© 2015 - 2016 **DAIKIN COMPANY, L.P.** ♦ 5151 San Felipe St., Suite 500 ♦ Houston, TX 77056

# Important Information

---

## Index

Functional Parts List .....	3
Illustration and Parts .....	4 - 13

*Views shown are for parts illustrations only, not servicing procedures*

### Text Codes:

AR - As Required

NA - Not Available

NS - Not Shown

00000000 - See Note

QTY - Quantity Example (QTY 3) (If Quantity not shown, Quantity = 1)

M - Model Example (M1) (If M Code not shown, then part is used on all Models)

### Expanded Model Nomenclature:

Example M1 - Model#1 M2 - Model#2 M3 - Model#3
---

Daikin Company, L.P. is not responsible for personal injury or property damage resulting from improper service. Review all service information before beginning repairs.

Warranty service must be performed by an authorized technician, using authorized factory parts. If service is required after the warranty expires, Daikin Company, L.P. also recommends contacting an authorized technician and using authorized factory parts.

Daikin Company, L.P. reserves the right to discontinue, or change at any time, specifications or designs without notice or without incurring obligations.

For assistance within the U.S.A. contact:

Consumer Affairs Department

Daikin North America, LLC

7401 Security Way

Houston, Texas 77040

855-770-5678-Telephone

713-863-2382-Facsimile

For assistance outside the U.S.A. contact:

International Division

Daikin North America, LLC

7401 Security Way

Houston, Texas 77040

713-861-2500-Telephone

713-863-2382-Facsimile

# Functional Parts

## Part

## No: Description:

---

0130M00025	24V RELAY
B1370155	AUXILIARY LIMIT SWITCH 120°F (M3)
20269903	AUXILIARY LIMIT, AUTO RESET (M1, M2, M4, M5, M6)
10735102	BECKETT BURNER (M3, M6)
0163F00017	BECKETT BURNER (M1, M2, M4, M5)
B1368000	BLOWER WHEEL 11 X 10
CAP050000370LA	CAPACITOR 5/370V (M3, M6)
CAP050450440CT	CAPACITOR 5/45/440V/DUAL RD (M1, M2, M4, M5)
ZP39K5ETF5130	COMPRESSOR 39000, 200/230/60/3 (M3, M6)
ZP39K5EPFV130	COMPRESSOR 39000, 208/230/60/1 (M1, M2, M4, M5)
0131M00429	COND MOTOR 1/4 HP, 1 SP,6 PL
CONT3P025024V	CONTACTOR 25 AMP, 3P, 24V (M3, M6)
CONT2P040024V	CONTACTOR 40 AMP, 2P, 24V (M1, M2, M4, M5)
0130M00074	CUT-OUT SWITCH, HIGH PRESSURE
0130M00087	CUT-OUT SWITCH, LOW PRESSURE
0150G00004	FAN BLADE
0130F00010	FLAME SENSOR
0151F00000P	GAS VALVE - WHITE-RODGERS 2-STAGE
PCBAG123	IGNITION BOARD, DSI INTEGRATED
20261709	IGNITOR
0130F00105	LIMIT SWITCH (M1, M2)
10123532	MANUAL RESET LIMIT 350°F
0131M00726	MOTOR, 1HP PROGRAMMED SELEC TE
11112501	PRESSURE SWITCH
0130M00063	PRIMARY LIMIT - GOLD 140° (M4, M5)
20162904	PRIMARY LIMIT-TEMPERATURE CONTROL (M6)
20162905	PRIMARY LIMIT-YELLOW (M3)
0130M00138	TRANSFORMER 208/230, 24V

### Expanded Model Nomenclature

M1 - DTG0480901DXSXAA
M2 - DTG0480901DXXXAA
M3 - DTG0480903DXXXAA
M4 - DTG0481151DXSXAA
M5 - DTG0481151DXXXAA
M6 - DTG0481153DXXXAA

# Top Panel / Tubing Assy

Image 1

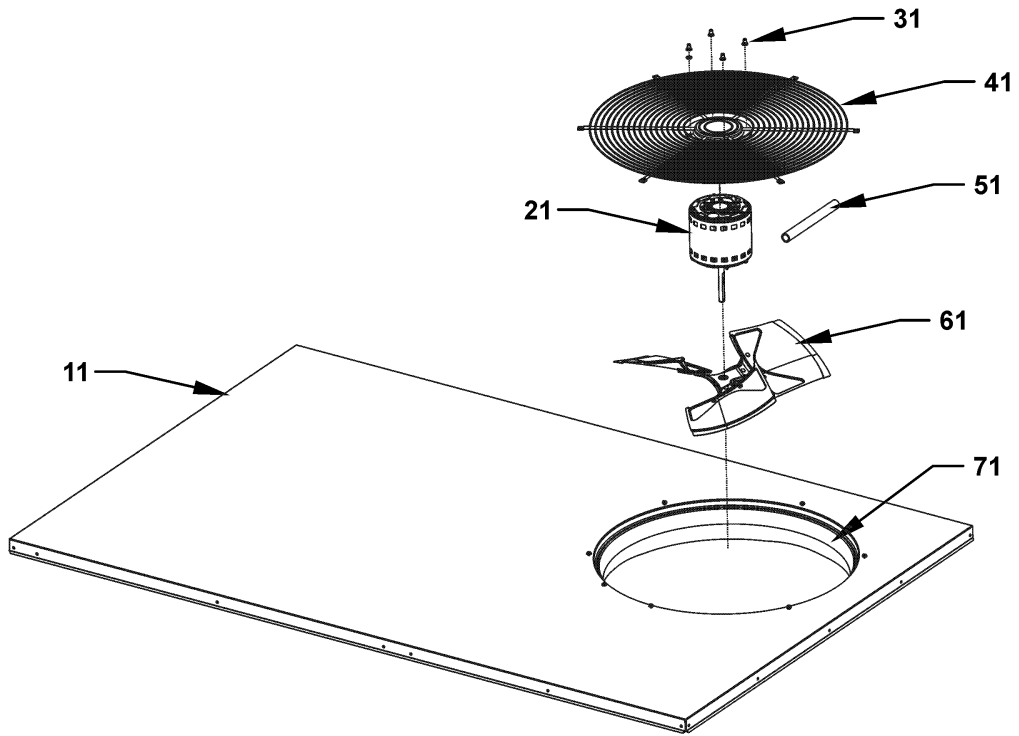
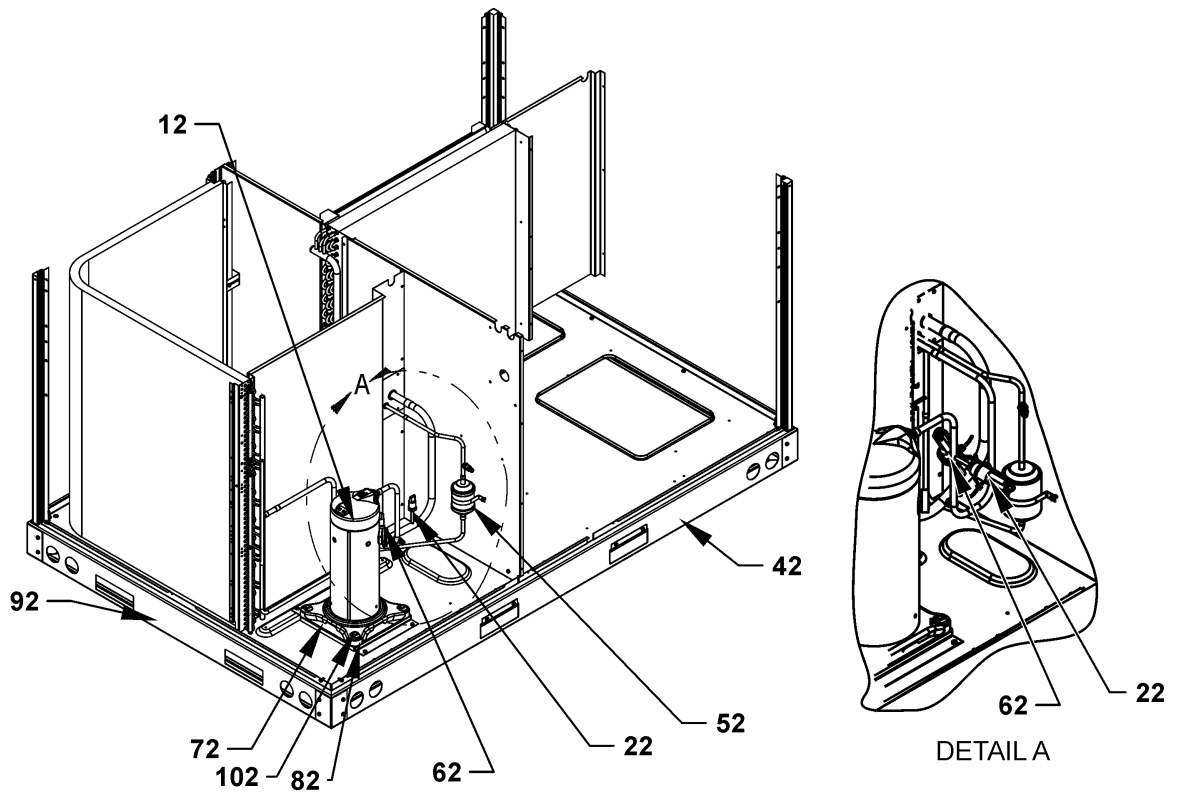


Image 2



# Top Panel / Tubing Assy

Ref. Part No: No:	Description:	Ref. Part No: No:	Description:
-------------------	--------------	-------------------	--------------

**Image 1:**

11	0121L00235NG	TOP PANEL
21	0131M00429	COND MOTOR 1/4 HP, 1 SP,6 PL
31	0163M00006P	ACORN NUT 5/16 HEX BLACK (QTY 4)
41	0152G00003	FAN GRILLE
51	17788000083F	PVC CONDUIT 8.25"
61	0150G00004	FAN BLADE
71	0161L00000	VENTURI RING 22"

**Image 2:**

12	ZP39K5ETF5130	COMPRESSOR 39000, 200/230/60/3 (M3, M6)
12	ZP39K5EPFV130	COMPRESSOR 39000, 208/230/60/1 (M1, M2, M4, M5)
22	0130M00074	CUT-OUT SWITCH, HIGH PRESSURE
42	0121L00244RF	SIDE RAIL (QTY 2)
52	0162R00009	FILTER DRIER
62	0130M00087	CUT-OUT SWITCH, LOW PRESSURE
72	0121L00310	COMPRESSOR MOUNTING PLATE
82	B1339533	COMPRESSOR GROMMET (QTY 4)
92	0121L00245	END RAIL (QTY 2)
102	M0221641	TF SHOULDER SCREW (QTY 4)
NS	0159L00027	COMPRESSOR SCROLL HARNESS (M1, M2, M4, M5)
NS	0159L00028	COMPRESSOR SCROLL HARNESS (M3, M6)

**Expanded Model Nomenclature**

M1 - DTG0480901DXSXAA
M2 - DTG0480901DXXXAA
M3 - DTG0480903DXXXAA
M4 - DTG0481151DXSXAA
M5 - DTG0481151DXXXAA
M6 - DTG0481153DXXXAA

# Cabinet Assy

Image 1

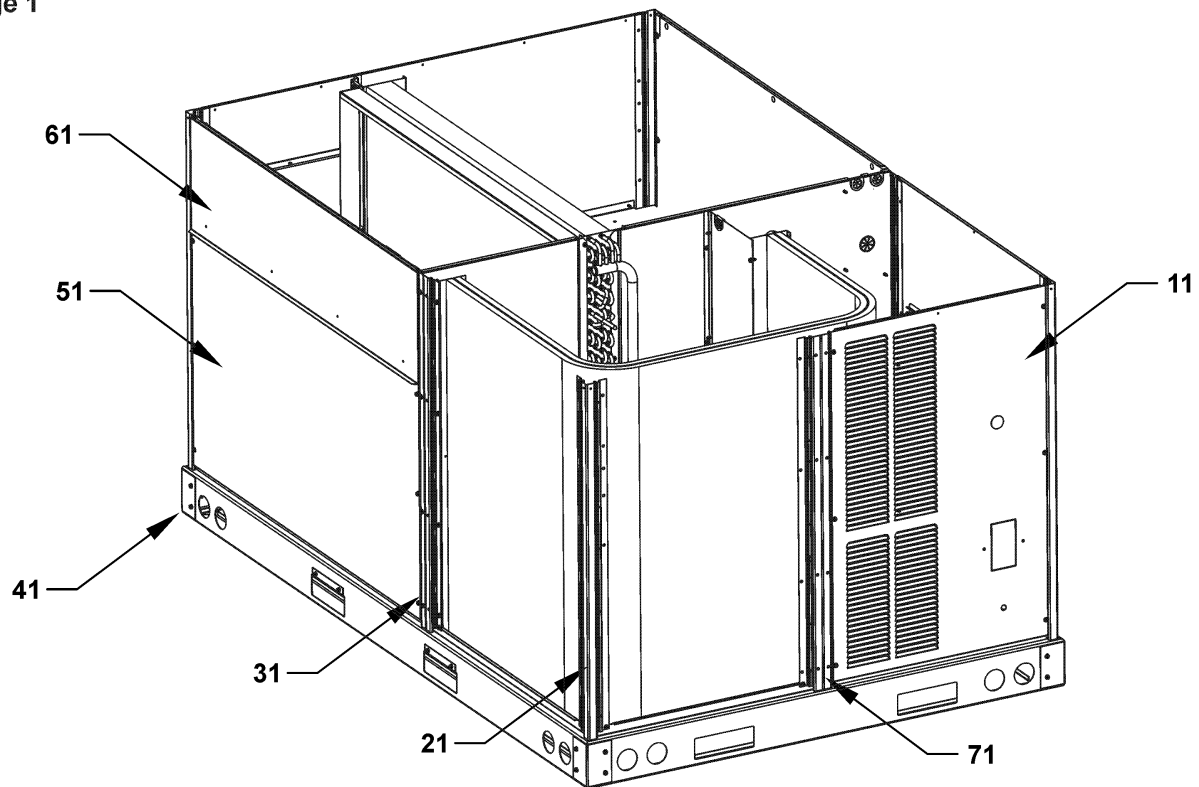
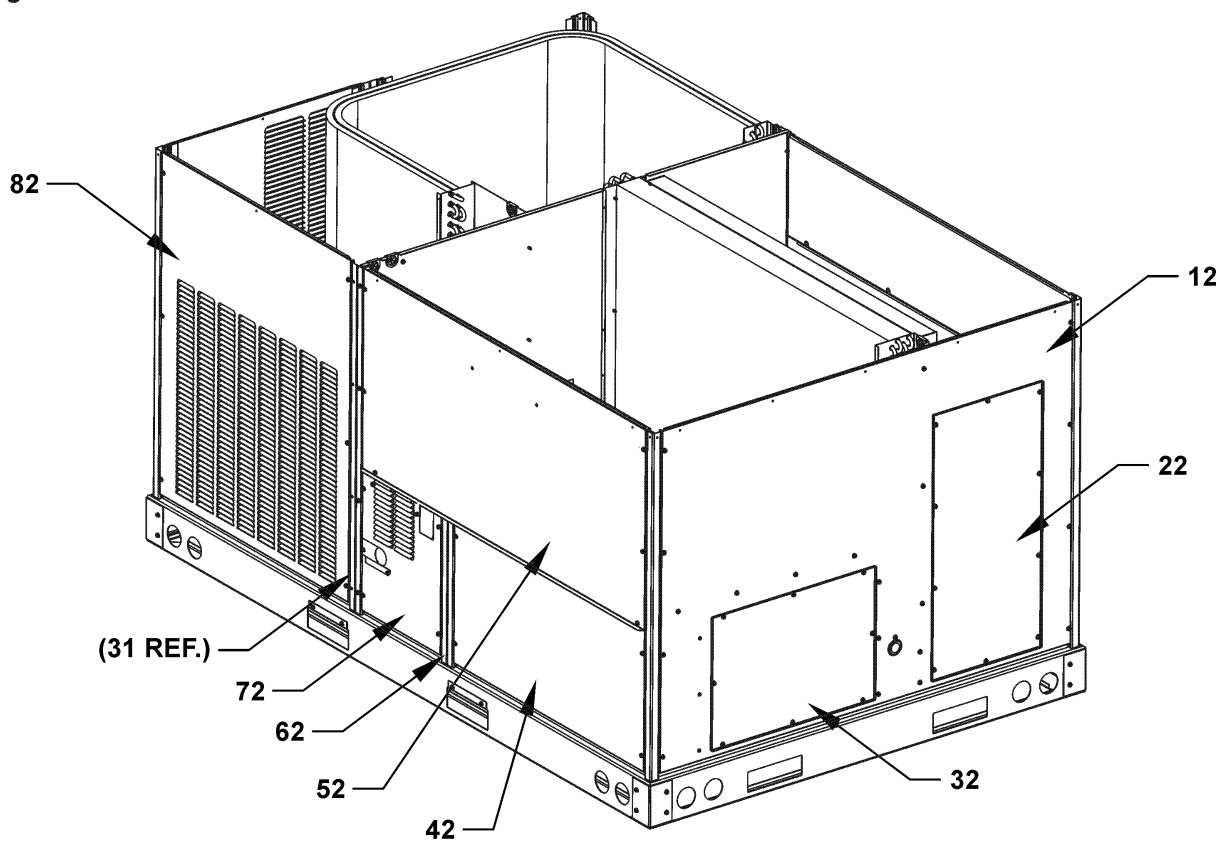


Image 2



# Cabinet Assy

Ref. Part No: No:	Description:	Ref. Part No: No:	Description:
-------------------	--------------	-------------------	--------------

---

**Image 1:**

11	0121L00263NG	LOUVERED COMPRESSOR PANEL
21	0121L00237RFNG	CORNER POST (QTY 3)
31	0121L00233RFNG	POST-SIDE SUPPORT (QTY 2)
41	0121G00301	RAIL CORNER BRACKET (QTY 4)
51	0121L00976NG	ECONOMIZER DOOR
61	0270L00362NG	FILTER DOOR
71	0121L01159RFNG	SIDE POST 3-5 TON
NS	0121L01440NG	FLUE COLLAR [3-6 TON]
NS	0164L00009	GASKET-RUBBER, CPOST (QTY 3)
NS	0164L00009	GASKET-RUBBER, CPOST (QTY 3)
NS	0164L00011	GASKET-RUBBER, SIDE POST (QTY 3)
NS	0164L00011	GASKET-RUBBER, SIDE POST (QTY 3)
NS	0121L01439	RAIN SHIELD-DOOR

**Image 2:**

12	0121L00236NG	DUCT PANEL
22	0121L00023NG	RETURN DUCT COVER
32	0121L00024NG	SUPPLY DUCT COVER
42	0121L01108NG	HEAT EXCHANGER DOOR
52	0121L01157NG	BLOWER DOOR
62	0121L01110RFNG	BURNER POST
72	0121L01438NG	BURNER DOOR [3-6 TON]
82	0121L01121NG	LOUVERED CONTROL PANEL

**Expanded Model Nomenclature**

M1 - DTG0480901DXSXAA
M2 - DTG0480901DXXXAA
M3 - DTG0480903DXXXAA
M4 - DTG0481151DXSXAA
M5 - DTG0481151DXXXAA
M6 - DTG0481153DXXXAA

# Partition Panel Assy

Image 1

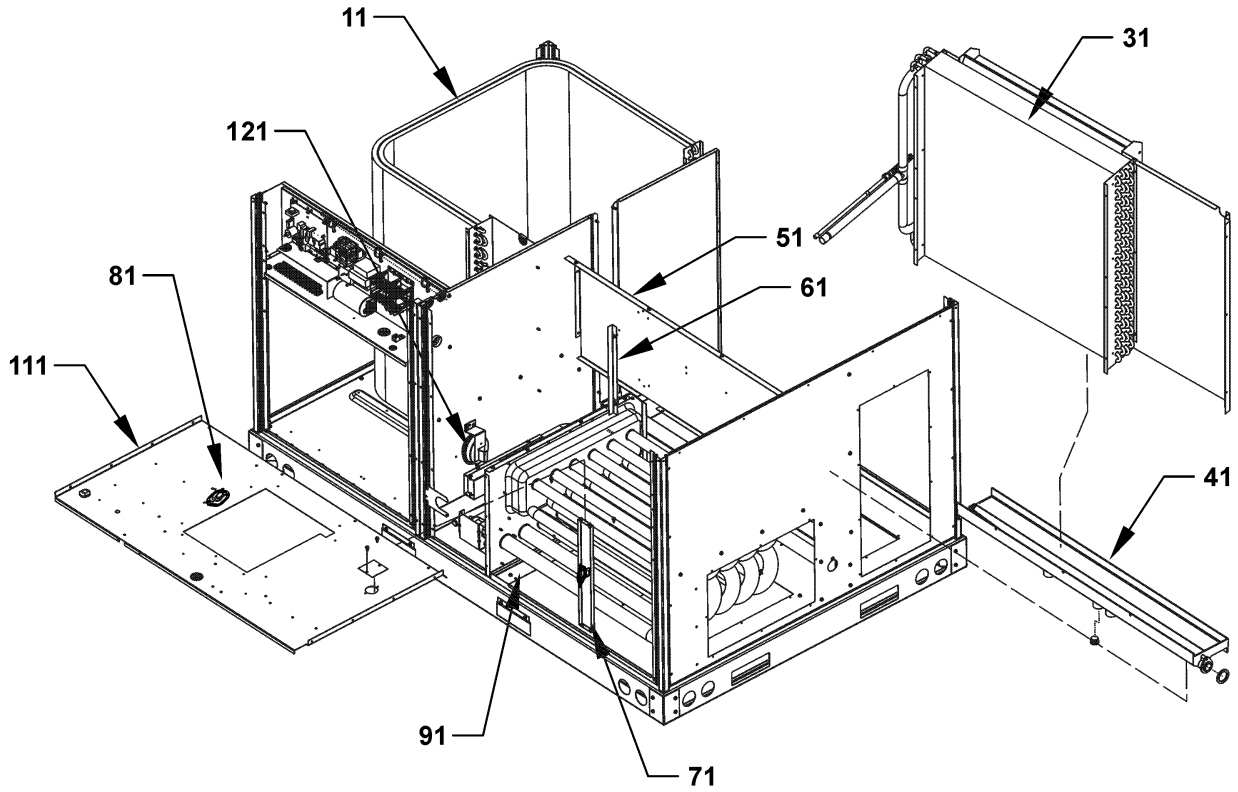
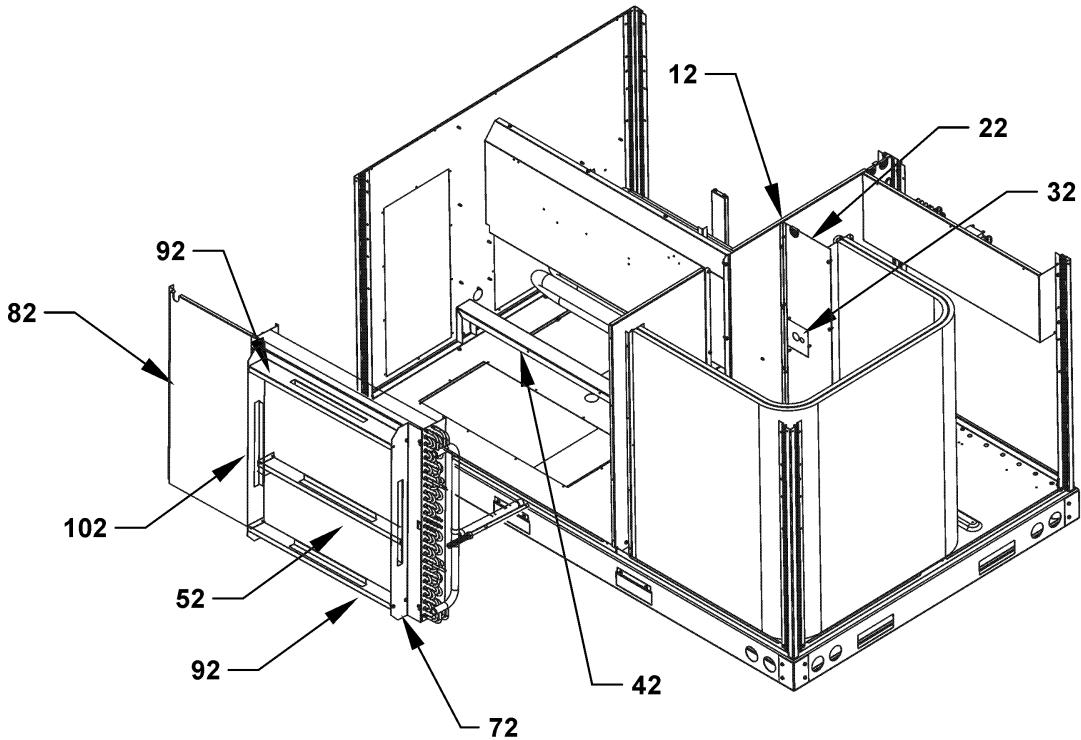


Image 2





# Partition Panel Assy

Ref. Part No: No:	Description:	Ref. Part No: No:	Description:
-------------------	--------------	-------------------	--------------

**Image 1:**

11	0201L00141	TUBING ASSY, COND COIL
31	0202L00143	TUBING ASSY, EVAP COIL
41	0161L00005	DRAIN PAN
51	0121L00243	DECK SIDE CHANNEL
61	0121L00293	BACK ANGLE-HEAT EXCHANGER (QTY 2)
71	0121L00300	SUPPORT POST-DECK
81	B1370155	AUXILIARY LIMIT SWITCH 120°F (M3)
81	0130F00105	LIMIT SWITCH (M1, M2)
81	0130M00063	PRIMARY LIMIT - GOLD 140° (M4, M5)
81	20162904	PRIMARY LIMIT-TEMPERATURE CONTROL (M6)
91	0121L00266	HEAT PANEL CHANNEL (QTY 2)
111	0121L01442	BLOWER DECK
121	11112501	PRESSURE SWITCH
NS	A3468601	PRESSURE SWITCH HOSE
NS	0121L00321	SMOKE DETECTOR COVER

**Image 2:**

12	0121L00254	COND MOUNTING ANGLE
22	0121L00882	COND BLOCK-OFF
32	0121L00939	CONDENSER BLOCKOFF PLATE
42	0121L00238	DRAIN PAN SUPPORT
52	0121L01255	FILTER ANGLE-CENTER
72	0121L00287	FILTER ANGLE-VERTICAL (RETURN SIDE)
82	0121L00252	EVAP BLOCK-OFF
92	0121L00932	FILTER ANGLE-HORIZONTAL (QTY 2)
102	0121L00303	FILTER ANGLE-VERTICAL (HAIRPIN SIDE)
NS	0160L00133	Air Filter 14x20x2 (QTY 4)

**Expanded Model Nomenclature**

M1 - DTG0480901DXSXAA
M2 - DTG0480901DXXXAA
M3 - DTG0480903DXXXAA
M4 - DTG0481151DXSXAA
M5 - DTG0481151DXXXAA
M6 - DTG0481153DXXXAA

# Blower Assy / Control Box Assy

Image 1

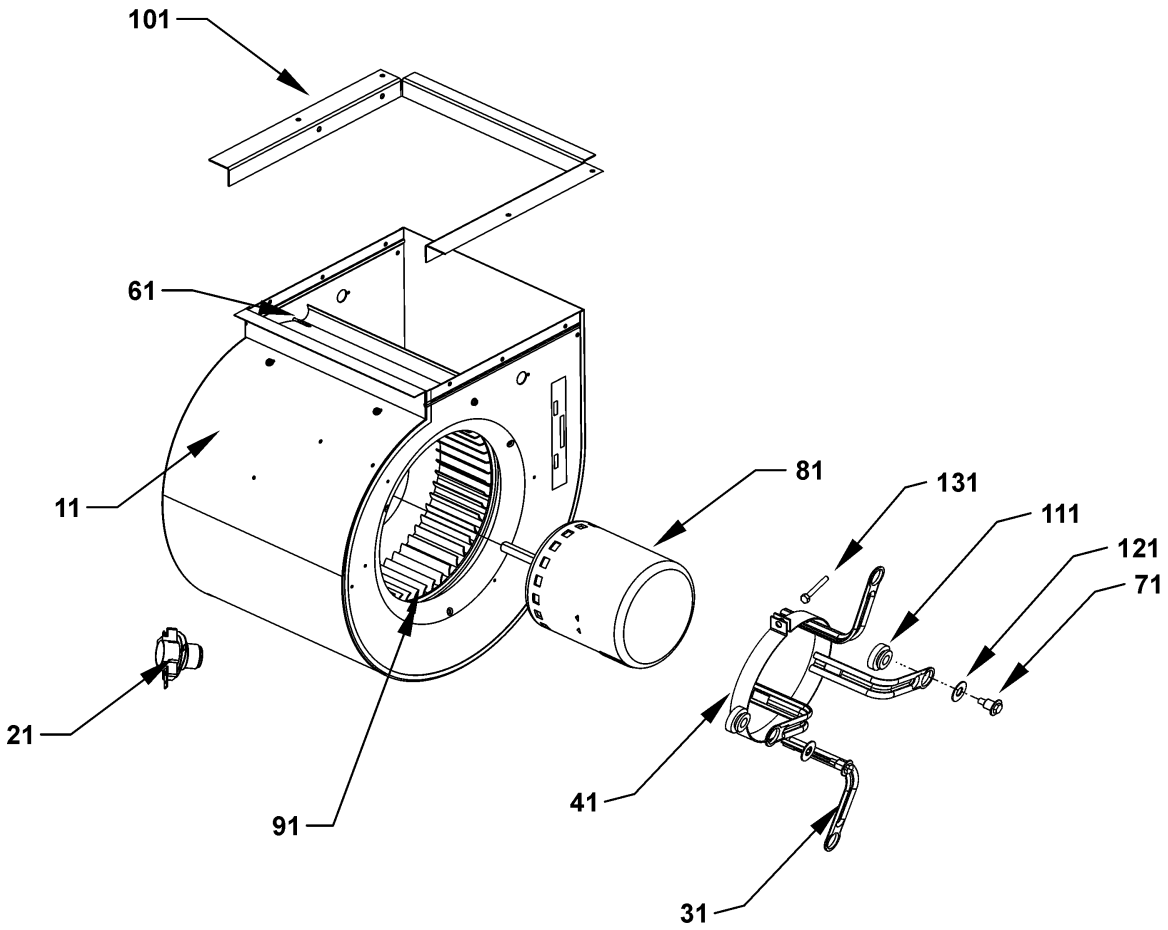
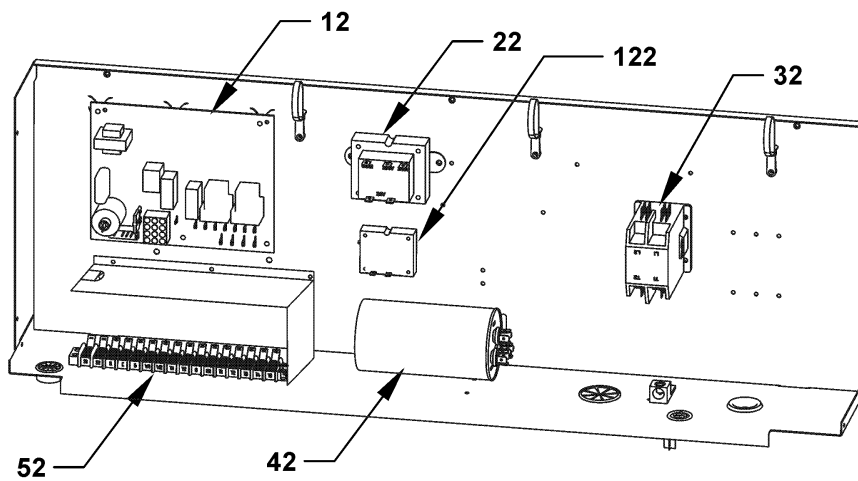


Image 2



# Blower Assy / Control Box Assy

Ref. Part No: No:	Description:	Ref. Part No: No:	Description:
-------------------	--------------	-------------------	--------------

**Image 1:**

11	11185811	BLOWER HOUSING 11 X 10
21	20269903	AUXILIARY LIMIT, AUTO RESET (M1, M2, M4, M5, M6)
21	20162905	PRIMARY LIMIT-YELLOW (M3)
31	10441501	MOTOR MOUNT ARM (QTY 4)
41	10441601	MOTOR MOUNT BAND
61	C6121807	BLOWER CUT-OFF
71	M0221461	TC SCREW (QTY 4)
81	0131M00726	MOTOR, 1HP PROGRAMMED SELEC TE
91	B1368000	BLOWER WHEEL 11 X 10
101	0121L00281	BLOWER MOUNTING ANGLE
111	A4002702	BLOWER MOTOR GROMMET (QTY 4)
121	B1392918	FLAT WASHER
131	M0267144	MACHINE SCREW
NS	M0282015	KEPS NUT
NS	0130F00105	LIMIT SWITCH (M1, M2)

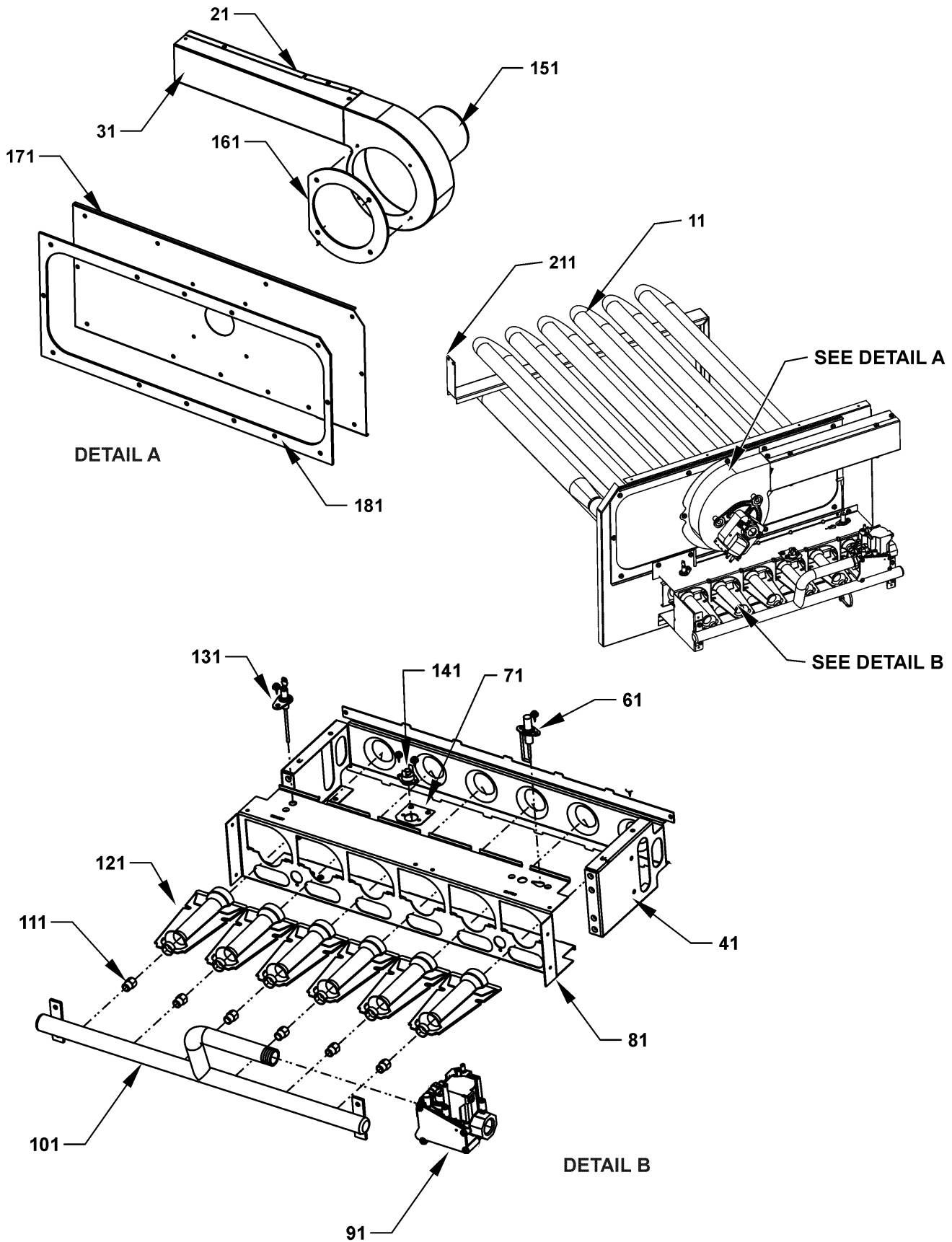
**Image 2:**

12	PCBAG123	IGNITION BOARD, DSI INTEGRATED
22	0130M00138	TRANSFORMER 208/230, 24V
32	CONT3P025024V	CONTACTOR 25 AMP, 3P, 24V (M3, M6)
32	CONT2P040024V	CONTACTOR 40 AMP, 2P, 24V (M1, M2, M4, M5)
42	CAP050000370LA	CAPACITOR 5/370V (M3, M6)
42	CAP050450440CT	CAPACITOR 5/45/440V/DUAL RD (M1, M2, M4, M5)
52	0130M00038	TERMINAL BOARD
122	0130M00025	24V RELAY
NS	20520901	CAPACITOR STRAP
NS	0259L00179	ECONOMIZER WIRE HARNESS
NS	0130M00127	MOTOR POWER HARNESS
NS	0259L00054	WIRING HARNESS
NS	0259L00066	WIRING HARNESS
NS	0259L00125	WIRING HARNESS
NS	0130M00126	X-13 LOW VOLTAGE WIRE HARNESS

**Expanded Model Nomenclature**

M1 - DTG0480901DXSXAA
M2 - DTG0480901DXXXAA
M3 - DTG0480903DXXXAA
M4 - DTG0481151DXSXAA
M5 - DTG0481151DXXXAA
M6 - DTG0481153DXXXAA

# Heat Exchanger Assy



# Heat Exchanger Assy

Ref. Part No:	Part No:	Description:	Ref. Part No:	Part No:	Description:
<i>Image 1:</i>					
11	0270L00682	PART/TUBE ASSY (M2)			
11	0270L00683	PART/TUBE ASSY (M5)			
11	0270L00686	PART/TUBE ASSY (M1)			
11	0270L00687	PART/TUBE ASSY (M4)			
11	0270L00092	PART/TUBE ASSY 4B (M3)			
11	0270L00110	PART/TUBE ASSY 5B (M6)			
21	0121L00277	FLUE CHANNEL			
31	0121L00278	FLUE SIDE COVER			
41	0121F00467	ORIFICE BRACKET-BURNER 4 (M1, M2)			
41	0121F00466	ORIFICE BRACKET-BURNER 5 (M4, M5)			
41	11072203	ORIFICE SHIELD (M3)			
41	11072204	ORIFICE SHIELD (M6)			
61	20261709	IGNITOR			
71	0121L00053	FLAME ROLLOUT BRACKET			
81	0121L01361	BURNER BRACKET 4B (M1, M2)			
81	20190412	BURNER BRACKET 4B (M3)			
81	0121L01362	BURNER BRACKET 5B (M4, M5)			
81	20190413	BURNER BRACKET 5B (M6)			
91	0151F00000P	GAS VALVE - WHITE-RODGERS 2-STAGE			
101	0163L00026	MANIFOLD - 4 BRNR (M1, M2, M3)			
101	0163L00029	MANIFOLD - 5 BRNR (M4, M5, M6)			
111	0163F00018	ORIFICE (QTY 4)			
111	0163F00018	ORIFICE (QTY 4)			
121	0163F00017	BECKETT BURNER (M1, M2, M4, M5)			
121	10735102	BECKETT BURNER (M3, M6)			
131	0130F00010	FLAME SENSOR			
141	10123532	MANUAL RESET LIMIT 350°F			
151	0131M00121	ID COMBUSTION BLOWER			
161	0154L00020	ID BLOWER GASKET			
171	0121L00284	ID BLOWER PLATE 4 BRNR (M3)			
171	0121L01353	ID BLOWER PLATE 4 BRNR (M1, M2)			
171	0121L01354	ID BLOWER PLATE 5 BRNR (M4, M5)			
171	0121L00318	ID BLOWER PLATE 6 BRNR (M6)			
181	0154L00018	ID BLOWER PLATE GASKET 4 BRNR (M1, M2, M3)			
181	0154L00017	ID BLOWER PLATE GASKET 6 BRNR (M4, M5, M6)			
211	0121L00325	HT EXCH BRACKET			
NS	0121L00267	BURNER SLIDE BRACKET (M3, M6)			
NS	0163L00072	SCREEN-FLUE			

## Expanded Model Nomenclature

M1 - DTG0480901DXSXAA
M2 - DTG0480901DXXXAA
M3 - DTG0480903DXXXAA
M4 - DTG0481151DXSXAA
M5 - DTG0481151DXXXAA
M6 - DTG0481153DXXXAA