

3 - 5 TONS PACKAGED HEAT PUMPS 14 SEER / UP TO 12 EER 8.0 HSPF

COOLING CAPACITY: 36,000 — 60,000 BTU/H
HEATING CAPACITY: 36,000 — 57,000 BTU/H



■ Contents

Nomenclature.....	2
Product Specifications.....	4
Expanded Cooling Data	7
Airflow Data	13
Crankcase Heater	21
Expanded Heating Data	22
Electrical Data / Heat Kit Data.....	23
Dimensions	29
Wiring Diagrams	33
– for Models with DDC Controls	39
Accessories	49

■ Standard Features

- High-efficiency scroll compressor
- Copper tube / aluminum fin coils
- High- and low-pressure switches
- Refrigerant accumulator
- Contactor with lugs
- High-capacity, steel-cased filter drier
- Heater kits with single-point entry
- 24-volt terminal strip
- Convertible airflow orientation
- Easy to service
- Built-in filter rack with standard 2" filters
- Bottom utility entry
- AHRI Certified; ETL Listed
- 3-5 Tons with single speed blower motor units meet the performance specified in Table 6.8.1-2 of ASHRAE Standard 90.1-2013

■ Cabinet Features

- Heavy-gauge, galvanized-steel cabinet with UV-resistant powder-paint finish
- Full Perimeter Rail
- Sloped drain pan



* Complete warranty details available from your local distributor or manufacturer's representative or at www.daikincomfort.com.

		D	S	H	060	020	3	V	*	*	*	A	*	
		1	2	3	4,5,6	7,8,9	10	11	12	13	14	15	16	
													REVISION LEVELS	
													Major & Minor	
													FACTORY-INSTALLED OPTIONS	
BRAND	D												X No Options	
	Daikin												A Non-powered convenience outlet	
CONFIGURATION	C												B Powered convenience outlet	
	Standard Efficiency (6 - 25 Tons)												C Low-ambient kit	
	S Standard Efficiency (3 - 5 Tons)												D Return air smoke detector	
	T High Efficiency (3 - 5 Tons)												E Supply air smoke detector	
APPLICATION	C												F Non-powered convenience outlet; Low-ambient kit	
	Cooling ¹												G Non-powered convenience outlet; Return air smoke detector	
	G Gas Heat												H Non-powered convenience outlet; Supply air smoke detector	
	H Heat Pump ¹												J Non-powered convenience outlet; Return & Supply air smoke detectors	
NOMINAL COOLING CAPACITY	036	3 Tons	102	8½ Tons	300	25 Tons								K Non-powered convenience outlet; Low-ambient kit; Supply air smoke detector
	048	4 Tons	120	10 Tons								L Non-powered convenience outlet; Low-ambient kit		
	060	5 Tons	150	12½ tons								M Powered convenience outlet; Low-ambient kit		
	072	6 Tons	180	15 Tons								N Powered convenience outlet; Return air smoke detector		
	090	7½ Tons	240	20 Tons								O Powered convenience outlet; Return & Supply air smoke detectors		
NOMINAL HEATING CAPACITY	Gas/Electric		A/C H/P		Factory-Installed Electric Heat									
	045	45,000 BTU/h	XXX	No Heat								P Powered convenience outlet; Supply air smoke detector		
	090	90,000 BTU/h	010	10 kW	030	30 kW								Q Powered convenience outlet; Low-ambient kit; Return air smoke detector
	115	115,000 BTU/h	015	15 kW	031	30 kW								R Powered convenience outlet; Low-ambient kit; Supply air smoke detector
	140	140,000 BTU/h	016	15 kW	045	45 kW								T Powered convenience outlet; Low-ambient kit; Return & Supply air smoke detectors
	210	210,000 BTU/h	018	18 kW	046	45 kW								U Non-powered convenience outlet; Low-ambient kit; Return air smoke detector
	350	350,000 BTU/h	020	20 kW	060	60 kW								V Low-ambient kit; Return air smoke detector
	400	400,000 BTU/h	025	25 kW								W Low-ambient kit; Supply air smoke detector		
See product specifications for heat size(s) available for each capacity.													Y Low-ambient kit; Return & Supply air smoke detectors	
VOLTAGE	1	208-230/1/60 (DS* & DT* 3-5 Tons models only)			4	460/3/60								
	3	208-230/3/60			7	575/3/60								
SUPPLY FAN/DRIVE TYPE/MOTOR	B	Belt Drive (3-5 Tons single speed models only)			V	Two-Speed Belt Drive (6-25 Tons only)								
	D	Direct Drive (3-5 Tons single speed models only)			W	High Static (6-25 Tons two-speed Belt Drive models only)								
	H	High Static (3-5 Tons single-speed Belt Drive models only)												
FACTORY-INSTALLED OPTIONS	A	Ultra Low-Leak Downflow Economizer			R	Ultra Low-Leak Downflow Economizer; DDC-BACnet protocol;								
	B	DDC-BACnet protocol				Disconnect Switch (non-fused)								
	F	Ultra Low-Leak Downflow Economizer; DDC-BACnet protocol			V	Low-Leak Downflow Economizer								
	H	Disconnect Switch (non-fused)			W	Low-Leak Downflow Economizer Disconnect Switch (non-fused)								
	J	Ultra Low-Leak Downflow Economizer; Disconnect Switch (non-fused)			X	No Options								
	M	Disconnect Switch (non-fused); DDC-BACnet protocol												
Note: Not all options available for all products.													FACTORY-INSTALLED OPTIONS	
¹ X= No Options in character 13th													X Standard Aluminized Heat Exchanger	
													S Stainless-Steel Heat Exchanger	
													D Hinged Panels	
													K Stainless-Steel Heat Exchanger; Hinged Panels	
													B Phase Monitor	
													J Stainless Steel Heat Exchanger; Phase Monitor	
													M Hinged Panel; Phase Monitor	
													L Stainless-Steel Heat Exchanger; Hinged Panels; Phase Monitor	

FACTORY-INSTALLED OPTIONS

- **Stainless-Steel Heat Exchanger (Gas only units):** A tubular heat exchanger made of 409-type stainless steel is installed in the unit.
- **Low-Ambient Kit:** Allows for cooling operation at lower outdoor temperatures. On the 3- to 6-ton units, cooling operation is extended from 60°F ambient temperature to 35°F outside air temperature. On 7½ -20 ton units, cooling operation is extended from 35°F ambient temperature to 0°F outside air temperature. For 25 ton units, cooling operation is extended from 24°F ambient temperature to 0°F outside air temperature.
- **Economizers (Downflow):** Based on air conditions, can provide outside air to cool the space.
- **Electric Heat Kits (A/C and Heat Pump units only):** Available in all voltage options.
- **Non-powered Convenience Outlet:** A 120V, 15A, GFCI outlet makes it easier for technicians to service the unit once an electrician runs power to the outlet.
- **Powered Convenience Outlet:** A 120V, 15A, GFCI outlet powered with a transformer built into the unit. When a factory-installed powered convenience outlet is installed in the equipment, the unit MCA (Min. Circuit Ampacity) will increase by 7.2A/6.5A for 208/230V units, increase by 3.3A for 460V units, and by 2.6A for 575V units. The MOP (Max. Overcurrent Protection) device must be sized accordingly.
- **Disconnect Switch (non-fused; 3-phase units only):** A disconnect switch is installed in the unit and factory wiring will be complete from the switch to the unit. Please note that for air conditioning and heat pump models, the appropriate electric heat kit must be ordered to be factory-installed along with the disconnect switch (non-fused) when it is ordered. Please note that for models with a powered convenience outlet option and a disconnect switch (non-fused) option, the power to the powered convenience outlet will be shut off when the disconnect switch (non-fused) is in the off position.
- **Return Air and/or Supply Air Smoke Detectors:** Return air and/or supply air smoke detectors are installed in the unit.
- **Hinged Access Panels:** Allows access to unit's major components. Combined with latches for easy access to control box, compressor, filters and blower motor. Available on all units.
- **Two-speed indoor fan blower models** are available on 6, 7½, 8½, 10, 12½, 15, 20 & 25 ton units. Section 6.4.3.10.b of ASHRAE Standard 90.1-2010 and Section 6.5.3.2.1.a of ASHRAE Standard 90.1-2013 require a minimum of two fan speeds. Section 140.4(m)1 of California Energy Commission Title 24 2013 contains a similar provision. When the units with the two-speed indoor fan blowers operate on a call for the first stage of cooling, the fan operates at low speed, which is 66% of full speed. When the units operate on a call for the second stage of cooling, the fan operates at full speed. In heating operation, the fan operates at full speed. During ventilation operation, the fan operates at low speed.
- **Phase Monitor:** Phase monitor (3 phase only), available for 3 - 25 ton DS, DC and DT series models. Phase monitor shall provide protection for motors and compressors against problems caused by phase loss, phase reversal and phase unbalance. Phase monitor is equipped with an LED that provides an ON or FAULT indicator.
- **DDC Controller:** DDC communicating controller, available for 3 - 25 ton DS, DC and DT series models with on-board BACnet® communication interface.

	DSH036 ***1D***A*	DSH036 ***3D***A*	DSH036 ***3B***A*	DSH036 ***4B***A*	DSH036 ***7B***A*
COOLING CAPACITY					
Total BTU/h	36,000	36,000	36,000	36,000	36,000
Sensible BTU/h	26,600	26,600	26,600	26,600	26,600
SEER / EER	14 / 12	14 / 12	14 / 12	14 / 12	14 / 12
Decibels	78	78	78	78	78
AHRI Reference #s	9967138	9967141	9952135	9952137	9952139
HEATING CAPACITY					
BTU/h / COP (47° F)	36,000 / 3.6	36,000 / 3.6	36,000 / 3.6	36,000 / 3.6	36,000 / 3.6
BTU/h / COP (17° F)	19,000 / 2.3	19,000 / 2.3	19,000 / 2.3	19,000 / 2.3	19,000 / 2.3
HSPF	8.0	8.0	8.0	8.0	8.0
EVAPORATOR MOTOR / COIL					
Motor Type	Direct Drive	Direct Drive	Belt Drive	Belt Drive	Belt Drive
Indoor Nominal CFM	1,250	1,250	1,200	1,200	1,200
Motor Speed Tap (Cooling)	LOW	LOW	---	---	---
Indoor Motor FLA (Cooling)	2.46	2.46	3.4	1.7	2.3
Horsepower - RPM	½ - 910	½ - 910	1.0 - 1725	1.0 - 1725	1.5 - 1725
Piston Size (Cooling)	0.068	0.068	0.068	0.068	0.068
Filter Size (")	(4) 14" x 20" x 2"	(4) 14" x 20" x 2"	(4) 14" x 20" x 2"	(4) 14" x 20" x 2"	(4) 14" x 20" x 2"
Drain Size (NPT)	¾"	¾"	¾"	¾"	¾"
R-410A Refrigerant Charge Cir #1 (oz.)	158	158	170	170	170
Evaporator Coil Face Area (ft ²)	7.0	7.0	7.0	7.0	7.0
Rows Deep / Fins per Inch	4 / 16	4 / 16	4 / 16	4 / 16	4 / 16
BELT DRIVE EVAP FAN DATA					
# of Wheels (D x W)	----	----	1 (11" x 10")	1 (11" x 10")	1 (11" x 10")
Motor Sheave	----	----	1VL34 x ¾"	1VL34 x ¾"	1VL34 x ¾"
Blower Sheave / Belt	----	----	AK61 x 1 / AX51	AK61 x 1 / AX51	AK61 x 1 / AX51
CONDENSER FAN / COIL					
Quantity of Condenser Fan Motors	1	1	1	1	1
Horsepower - RPM	¼ - 1,075	¼ - 1,075	¼ - 1,075	¼ - 1,075	¼ - 1,075
Fan Diameter / # Fan Blades	22 / 4	22 / 4	22 / 4	22 / 4	22 / 4
Outdoor Nominal CFM	3,800	3,800	3,800	3,800	3,800
Face Area (ft ²)	17.0	17.0	17.0	17.0	17.0
Rows Deep/ Fins per Inch	2 / 18	2 / 18	2 / 18	2 / 18	2 / 18
Piston Size (Heating)	0.053	0.053	0.053	0.053	0.053
COMPRESSOR					
Quantity / Type/ Stage	1 / Scroll / Single	1 / Scroll / Single	1 / Scroll / Single	1 / Scroll / Single	1 / Scroll / Single
Compressor RLA / LRA	16.7 / 79.0	10.4 / 73.0	10.4 / 73.0	5.8 / 38.0	3.8 / 36.5
ELECTRICAL DATA					
Voltage-Phase-Frequency	208/230-1-60	208/230-3-60	208/230-3-60	460-3-60	575-3-60
Indoor Blower HP / FLA	½ / 2.46	½ / 2.46	1.0 / 3.4	1.0 / 1.7	1.5 / 2.3
Max External Static	0.5"	0.5"	1.0"	1.0"	1.0"
Outdoor Fan HP / FLA	¼ / 1.4	¼ / 1.4	¼ / 1.4	¼ / 0.7	¼ / 0.55
Min. Circuit Ampacity ¹	24.7 / 24.7	16.9 / 16.9	17.9 / 17.9	9.6	7.6
Max. Overcurrent Protection (amps) ²	40 / 40	25 / 25	25 / 25	15	15
Power Supply Conduit Hole	1.125"	1.125"	1.125"	1.125"	1.125"
Low-Voltage Conduit Hole	½"	½"	½"	½"	½"
OPERATING WEIGHT (LBS)					
	580	580	580	580	580
SHIP WEIGHT (LBS)					
	605	605	605	605	605

¹ Wire size should be determined in accordance with National Electrical Codes. Extensive wire runs will require larger wire sizes.

² May use fuses or HACR-type circuit breakers of the same size as noted.

NOTES

- Always check the S&R plate for electrical data on the unit being installed.

	DSH048 ***1D***A*	DSH048 ***3D***A*	DSH048 ***3B***A*	DSH048 ***4B***A*	DSH048 ***7B***A*
COOLING CAPACITY					
Total BTU/h	48,000	48,000	46,500	46,500	46,500
Sensible BTU/h	35,520	35,520	34,875	34,875	34,875
SEER / EER	14 / 12	14 / 12	14 / 12	14 / 12	14 / 12
Decibels	78	78	78	78	78
AHRI Reference #s	9967139	9967142	9956243	9956244	9956245
HEATING CAPACITY					
BTU/h / COP (47° F)	45,000 / 3.6	45,000 / 3.6	45,500 / 3.6	45,500 / 3.6	45,500 / 3.6
BTU/h / COP (17° F)	25,000 / 2.3	25,000 / 2.3	25,000 / 2.3	25,000 / 2.3	25,000 / 2.3
HSPF	8.0	8.0	8.0	8.0	8.0
EVAPORATOR MOTOR / COIL					
Motor Type	Direct Drive	Direct Drive	Belt Drive	Belt Drive	Belt Drive
Indoor Nominal CFM	1,650	1,650	1,600	1,600	1,600
Motor Speed Tap (Cooling)	MED	MED	---	---	---
Indoor Motor FLA (Cooling)	2.8	2.8	3.4	1.7	2.3
Horsepower - RPM	¾ - 1,025	¾ - 1,025	1.0 - 1,725	1.0 - 1,725	1.5 - 1,725
Piston Size (Cooling)	0.076	0.076	0.076	0.076	0.076
Filter Size (")	(4) 14" x 20" x 2"	(4) 14" x 20" x 2"	(4) 14" x 20" x 2"	(4) 14" x 20" x 2"	(4) 14" x 20" x 2"
Drain Size (NPT)	¾"	¾"	¾"	¾"	¾"
R-410A Refrigerant Charge Cir #1 (oz.)	178	178	173	173	173
Evaporator Coil Face Area (ft ²)	7.8	7.8	7.8	7.8	7.8
Rows Deep / Fins per Inch	4 / 16	4 / 16	4 / 16	4 / 16	4 / 16
BELT DRIVE EVAP FAN DATA					
# of Wheels (D x W)	----	----	1 (11" x 10")	1 (11" x 10")	1 (11" x 10")
Motor Sheave	----	----	VL40 x ¾"	VL40 x ¾"	VL40 x ¾"
Blower Sheave / Belt	----	----	AK66 x 1 / AX52	AK66 x 1 / AX52	AK66 x 1 / AX52
CONDENSER FAN / COIL					
Quantity of Condenser Fan Motors	1	1	1	1	1
Horsepower - RPM	¼ / 1,075	¼ / 1,075	¼ / 1,075	¼ / 1,050	¼ / 1,050
Fan Diameter / # Fan Blades	22 / 4	22 / 4	22 / 4	22 / 4	22 / 4
Outdoor Nominal CFM	3,800	3,800	3,800	3,800	3,800
Face Area (ft ²)	17	17	17	17	17
Rows Deep/ Fins per Inch	2 / 18	2 / 18	2 / 18	2 / 18	2 / 18
Piston Size (Heating)	0.057	0.057	0.057	0.057	0.057
COMPRESSOR					
Quantity / Type/ Stage	1 / Scroll / Single	1 / Scroll / Single	1 / Scroll / Single	1 / Scroll / Single	1 / Scroll / Single
Compressor RLA / LRA	19.9 / 109	13.1 / 83.1	13.1 / 83.1	6.1 / 41	4.4 / 33
ELECTRICAL DATA					
Voltage-Phase-Frequency	208/230-1-60	208/230-3-60	208/230-3-60	460-3-60	575-3-60
Indoor Blower HP / FLA	¾ / 2.8	¾ / 2.8	1.0 / 3.4	1.0 / 1.7	1.5 / 2.3
Max External Static	0.5"	0.5"	1.0"	1.0"	1.0"
Outdoor Fan HP / FLA	¾ / 1.4	¾ / 1.4	¾ / 1.4	¾ / 0.7	¾ / 0.55
Min. Circuit Ampacity ¹	29.1 / 29.1	20.6 / 20.6	21.2 / 21.2	10	8.3
Max. Overcurrent Protection (amps) ²	45 / 45	30 / 30	30 / 30	15	15
Power Supply Conduit Hole	1.125"	1.125"	1.125"	1.125"	1.125"
Low-Voltage Conduit Hole	½"	½"	½"	½"	½"
OPERATING WEIGHT (LBS)					
	585	585	585	585	585
SHIP WEIGHT (LBS)					
	610	610	610	610	610

¹ Wire size should be determined in accordance with National Electrical Codes. Extensive wire runs will require larger wire sizes.

² May use fuses or HACR-type circuit breakers of the same size as noted.

NOTES

- Always check the S&R plate for electrical data on the unit being installed.

	DSH060 ***1D***A*	DSH060 ***3D***A*	DSH060 ***3B***A*	DSH060 ***4B***A*	DSH060 ***7B***A*
COOLING CAPACITY					
Total BTU/h	60,000	60,000	60,000	60,000	60,000
Sensible BTU/h	44,000	44,000	44,000	44,000	44,000
SEER / EER	14 / 12	14 / 12	14 / 12	14 / 12	14 / 12
Decibels	78	78	78	78	78
AHRI Reference #s	9967140	9967143	9952136	9952138	9952140
HEATING CAPACITY					
BTU/h / COP (47° F)	57,000 / 3.6	57,000 / 3.6	57,000 / 3.6	57,000 / 3.6	57,000 / 3.6
BTU/h / COP (17° F)	32,000 / 2.4	32,000 / 2.4	32,000 / 2.3	32,000 / 2.3	32,000 / 2.3
HSPF	8.0	8.0	8.0	8.0	8.0
EVAPORATOR MOTOR / COIL					
Motor Type	Direct Drive	Direct Drive	Belt	Belt	Belt
Indoor Nominal CFM	2,000	2,000	1,800	1,800	1,800
Motor Speed Tap (Cooling)	T3	T3	---	---	---
Indoor Motor FLA (Cooling)	6.90	6.90	3.2	1.5	1.2
Horsepower - RPM	1.0 - 1050	1.0 - 1050	1.0 - 1,760	1.0 - 1,760	1.0 - 1,760
Piston Size (Cooling)	0.086	0.086	0.089	0.089	0.089
Filter Size (")	(4) 16" x 20" x 2"	(4) 16" x 20" x 2"	(4) 16" x 20" x 2"	(4) 16" x 20" x 2"	(4) 16" x 20" x 2"
Drain Size (NPT)	¾"	¾"	¾"	¾"	¾"
R-410A Refrigerant Charge Cir #1 (oz.)	254	254	230	230	230
Evaporator Coil Face Area (ft ²)	8.9	8.9	8.9	8.9	8.9
Rows Deep / Fins per Inch	4 / 16	4 / 16	4 / 16	4 / 16	4 / 16
BELT DRIVE EVAP FAN DATA					
# of Wheels (D x W)	----	----	1 (11" x 10")	1 (11" x 10")	1 (11" x 10")
Motor Sheave	----	----	VL44 x ¾	VL44 x ¾	VL44 x ¾
Blower Sheave / Belt	----	----	AK66 x 1 / AX52	AK66 x 1 / AX52	AK66 x 1 / AX52
CONDENSER FAN / COIL					
Quantity of Condenser Fan Motors	1	1	1	1	1
Horsepower - RPM	⅓ - 1,075	⅓ - 1,075	⅓ - 1,075	⅓ - 1,075	⅓ - 1,075
Fan Diameter / # Fan Blades	22 / 4	22 / 4	22 / 4	22 / 4	22 / 4
Outdoor Nominal CFM	4,200	4,200	4,200	4,200	4,200
Face Area (ft ²)	18.7	18.7	18.7	18.7	18.7
Rows Deep/ Fins per Inch	2 / 20	2 / 20	2 / 20	2 / 20	2 / 20
Piston Size (Heating)	0.062	0.062	0.068	0.068	0.068
COMPRESSOR					
Quantity / Type/ Stage	1 / Scroll / Single	1 / Scroll / Single	1 / Scroll / Single	1 / Scroll / Single	1 / Scroll / Single
Compressor RLA / LRA	25.0 / 134.0	15.9 / 110.0	16.0 / 110.0	7.8 / 52	5.7 / 38.9
ELECTRICAL DATA					
Voltage-Phase-Frequency	208/230-1-60	208/230-3-60	208/230-3-60	460-3-60	575-3-60
Indoor Blower HP / FLA	1 / 6.9	1 / 6.9	1.0 / 3.2	1.0 / 1.5	1.0 / 1.2
Max External Static	0.9"	0.9"	1.0"	1.0"	1.0"
Outdoor Fan HP / FLA	⅓ / 2.0	⅓ / 2.3	⅓ / 2.3	⅓ / 1.1	⅓ / 0.9
Min. Circuit Ampacity ¹	40.2 / 40.2	29.1 / 29.1	25.5 / 25.5	12.3	9.2
Max. Overcurrent Protection (amps) ²	60 / 60	45 / 45	40 / 40	20	15
Power Supply Conduit Hole	1.125"	1.125"	1.125"	1.125"	1.125"
Low-Voltage Conduit Hole	½"	½"	½"	½"	½"
OPERATING WEIGHT (LBS)					
	650	650	650	650	650
SHIP WEIGHT (LBS)					
	675	675	675	675	675

¹ Wire size should be determined in accordance with National Electrical Codes. Extensive wire runs will require larger wire sizes.

² May use fuses or HACR-type circuit breakers of the same size as noted.

NOTES

- Always check the S&R plate for electrical data on the unit being installed.

IDB		OUTDOOR AMBIENT TEMPERATURE												105												115																																																																																																																																																																																																																																																																																																																																																																																																																																																																																																																										
		65						75						85						95						105						115																																																																																																																																																																																																																																																																																																																																																																																																																																																																																																																				
		59	63	67	71	59	63	67	71	59	63	67	71	59	63	67	71	59	63	67	71	59	63	67	71	59	63	67	71																																																																																																																																																																																																																																																																																																																																																																																																																																																																																																																							
70	1350	36.7	38.0	41.6	-	35.8	37.1	40.7	-	34.9	36.2	39.7	-	34.1	35.3	38.7	-	32.4	33.6	36.8	-	30.0	31.1	34.1	-	0.74	0.62	0.43	-	0.77	0.64	0.44	-	0.79	0.66	0.46	-	0.81	0.68	0.47	-	0.84	0.70	0.49	-	0.85	0.71	0.49	-	19	16	12	-	19	16	12	-	19	16	12	-	19	16	12	-	19	16	12	-	19	16	12	-	17	15	11	-	2.37	2.42	2.49	-	2.55	2.60	2.68	-	2.70	2.76	2.84	-	2.83	2.89	2.99	-	2.95	3.01	3.11	-	3.05	3.11	3.22	-	6.7	6.8	7.0	-	7.1	7.3	7.5	-	7.7	7.9	8.1	-	8.2	8.4	8.6	-	8.7	8.9	9.1	-	9.1	9.4	9.6	-	230	247	261	-	258	278	293	-	293	316	333	-	334	360	380	-	376	405	427	-	415	447	472	-	111	118	129	-	117	125	136	-	122	130	142	-	128	136	149	-	134	143	156	-	139	148	161	-	35.6	36.9	40.4	-	34.8	36.0	39.5	-	33.9	35.2	38.5	-	33.1	34.3	37.6	-	31.4	32.6	35.7	-	29.1	30.2	33.1	-	0.71	0.59	0.41	-	0.73	0.61	0.42	-	0.75	0.63	0.43	-	0.78	0.65	0.45	-	0.80	0.67	0.47	-	0.81	0.68	0.47	-	19	17	13	-	20	17	13	-	20	17	13	-	20	17	13	-	20	17	13	-	18	16	12	-	2.35	2.40	2.47	-	2.53	2.58	2.66	-	2.68	2.73	2.82	-	2.81	2.87	2.96	-	2.93	2.99	3.08	-	3.02	3.09	3.19	-	6.6	6.8	6.9	-	7.1	7.2	7.5	-	7.6	7.8	8.0	-	8.1	8.3	8.6	-	8.6	8.8	9.1	-	9.1	9.3	9.6	-	228	245	259	-	255	275	290	-	291	313	330	-	331	356	376	-	372	401	423	-	411	443	467	-	110	117	128	-	116	124	135	-	121	128	140	-	127	135	147	-	133	141	154	-	137	146	160	-	32.8	34.0	37.3	-	32.1	33.3	36.4	-	31.3	32.5	35.6	-	30.6	31.7	34.7	-	29.0	30.1	33.0	-	26.9	27.9	30.5	-	0.68	0.57	0.39	-	0.71	0.59	0.41	-	0.72	0.61	0.42	-	0.75	0.62	0.43	-	0.78	0.65	0.45	-	0.78	0.65	0.45	-	20	17	13	-	20	17	13	-	20	17	13	-	20	17	13	-	20	17	13	-	18	16	12	-	2.30	2.35	2.42	-	2.47	2.52	2.59	-	2.61	2.67	2.75	-	2.74	2.80	2.89	-	2.86	2.92	3.01	-	2.95	3.01	3.11	-	6.5	6.6	6.8	-	6.9	7.1	7.3	-	7.4	7.6	7.8	-	7.9	8.1	8.3	-	8.4	8.6	8.8	-	8.8	9.0	9.3	-	221	238	251	-	248	267	282	-	282	303	320	-	321	345	365	-	361	389	410	-	399	429	453	-	107	113	124	-	113	120	131	-	117	125	136	-	123	131	143	-	129	137	150	-	133	142	155	-																							
	75	1350	37.3	38.4	41.5	44.6	36.4	37.5	40.6	43.5	35.5	36.6	39.6	42.5	34.7	35.7	38.6	41.5	32.9	33.9	36.7	39.4	30.5	31.4	34.0	36.5	0.84	0.75	0.57	0.37	0.87	0.78	0.59	0.38	0.90	0.80	0.61	0.39	0.92	0.83	0.63	0.40	0.96	0.86	0.65	0.42	0.97	0.87	0.65	0.42	21	20	16	11	22	20	16	11	22	20	16	11	22	20	16	11	22	20	16	11	22	20	16	11	20	19	15	10	2.39	2.44	2.51	2.59	2.57	2.62	2.70	2.78	2.72	2.78	2.86	2.96	2.96	2.86	2.92	3.01	3.11	2.97	3.04	3.13	3.24	3.07	3.14	3.24	3.35	6.7	6.9	7.1	7.3	7.2	7.4	7.6	7.8	7.8	7.9	8.2	8.5	8.5	8.3	8.4	8.7	9.0	8.7	8.9	9.2	9.5	9.2	9.4	9.7	10.1	232	250	264	275	261	280	296	309	296	319	337	351	351	338	363	384	400	380	409	432	450	420	452	477	497	112	119	130	139	119	126	138	147	123	131	143	152	152	129	138	150	160	136	144	157	168	140	149	163	173	36.2	37.3	40.3	43.3	35.3	36.4	39.4	42.3	34.5	35.5	38.5	41.3	41.3	33.7	34.7	37.5	40.3	32.0	32.9	35.6	38.3	29.6	30.5	33.0	35.4	0.80	0.72	0.54	0.35	0.83	0.74	0.56	0.36	0.85	0.76	0.58	0.37	0.88	0.79	0.60	0.38	0.91	0.82	0.62	0.40	0.92	0.83	0.62	0.40	22	21	17	12	23	21	17	12	23	21	17	12	23	21	17	12	23	21	17	12	23	21	17	12	21	19	16	11	2.37	2.42	2.49	2.57	2.55	2.60	2.68	2.76	2.70	2.76	2.84	2.93	2.93	2.83	2.89	2.99	3.08	2.95	3.01	3.11	3.21	3.05	3.12	3.22	3.32	6.7	6.8	7.0	7.2	7.1	7.3	7.5	7.8	7.7	7.9	8.1	8.4	8.4	8.2	8.4	8.6	8.9	8.7	8.9	9.1	9.5	9.1	9.4	9.6	10.0	230	247	261	273	258	278	293	306	293	316	334	348	348	334	360	380	396	376	405	427	446	416	447	472	492	111	118	129	137	117	125	136	145	122	130	142	151	151	128	136	149	158	134	143	156	166	139	148	161	172	33.4	34.4	37.2	40.0	32.6	33.6	36.4	39.0	31.8	32.8	35.5	38.1	38.1	31.1	32.0	34.6	37.2	29.5	30.4	32.9	35.3	27.3	28.2	30.5	32.7	0.77	0.69	0.52	0.34	0.80	0.72	0.54	0.35	0.82	0.74	0.56	0.36	0.85	0.76	0.58	0.37	0.88	0.79	0.60	0.38	0.89	0.80	0.60	0.39	23	21	17	12	23	21	17	12	23	21	17	12	23	21	17	12	23	21	17	12	23	21	17	12	21	20	16	11	2.32	2.36	2.44	2.51	2.49	2.54	2.62	2.70	2.64	2.69	2.77	2.86	2.86	2.77	2.83	2.91	3.01	2.88	2.94	3.03	3.13	2.98	3.04	3.14	3.24	6.5	6.6	6.8	7.1	7.0	7.1	7.3	7.6	7.5	7.7	7.9	8.2	8.2	8.0	8.2	8.4	8.7	8.4	8.6	8.9	9.2	8.9	9.1	9.4	9.7	223	240	254	264	250	269	284	297	285	306	324	337	337	324	349	368	384	365	393	415	432	403	434	458	478	108	115	125	133	114	121	132	141	118	126	137	146	146	124	132	144	154	130	139	151	161	135	143	156	167

IDB = Entering Indoor Dry Bulb Temperature
 High & low pressures are measured at the liquid & suction service ports.
 Shaded area reflects ACCA (TVA) conditions
 Amps: Unit amps (comp.+ evaporator+ condenser fan motors)
 kW = Total system power

IDB		OUTDOOR AMBIENT TEMPERATURE																									
		65				75				85				95				105				115					
		59	63	67	71	59	63	67	71	59	63	67	71	59	63	67	71	59	63	67	71	59	63	67	71		
1350		MBh	37.9	38.8	41.4	44.3	37.1	37.9	40.5	43.2	46.2	36.2	37.0	39.5	42.2	35.3	36.1	38.5	41.2	33.5	34.3	36.6	39.1	31.1	31.7	33.9	36.2
		S/T	0.92	0.87	0.71	0.53	0.96	0.90	0.73	0.55	1.00	0.92	0.75	0.56	1.00	0.95	0.77	0.58	1.00	1.00	0.80	0.60	0.60	1.00	1.00	0.81	0.61
		Delta T	24	23	20	16	24	23	20	16	25	23	20	16	24	23	20	16	23	23	20	16	21	22	22	19	15
80		KW	2.41	2.46	2.53	2.61	2.59	2.64	2.72	2.81	2.74	2.80	2.89	2.98	2.88	2.94	3.04	3.13	3.00	3.06	3.16	3.26	3.10	3.17	3.27	3.38	
		AMPS	6.8	6.9	7.1	7.4	7.3	7.4	7.6	7.9	7.8	8.0	8.3	8.5	8.3	8.5	8.8	9.1	8.8	9.0	9.3	9.6	9.3	9.5	9.8	10.2	
		HIPR	235	252	267	278	263	283	299	312	299	322	340	355	341	367	388	404	384	413	436	455	424	456	482	502	
		LO PR	113	121	132	140	120	127	139	148	124	132	145	154	131	139	152	162	137	146	159	169	142	151	165	175	
1200		MBh	36.8	37.6	40.2	43.0	36.0	36.8	39.3	42.0	35.1	35.9	38.3	41.0	34.3	35.0	37.4	40.0	32.5	33.3	35.5	38.0	30.2	30.8	32.9	35.2	
		S/T	0.88	0.83	0.67	0.50	0.91	0.86	0.70	0.52	0.94	0.88	0.71	0.53	0.97	0.91	0.74	0.55	1.00	0.94	0.77	0.57	1.00	0.95	0.77	0.58	
		Delta T	25	24	21	17	25	24	21	17	25	24	21	17	25	24	21	17	25	24	21	17	23	22	19	16	
		KW	2.39	2.44	2.51	2.59	2.57	2.62	2.70	2.78	2.72	2.78	2.86	2.96	2.86	2.92	3.01	3.11	2.97	3.04	3.14	3.24	3.07	3.14	3.24	3.35	
		AMPS	6.7	6.9	7.1	7.3	7.2	7.4	7.6	7.8	7.8	7.9	8.2	8.5	8.3	8.4	8.7	9.0	8.7	8.9	9.2	9.5	9.2	9.4	9.7	10.1	
		HIPR	232	250	264	275	261	281	296	309	296	319	337	351	338	363	384	400	380	409	432	450	420	452	477	497	
		LO PR	112	119	130	139	119	126	138	147	123	131	143	152	129	138	150	160	136	144	158	168	140	149	163	174	
1050		MBh	34.0	34.7	37.1	39.7	33.2	33.9	36.3	38.8	32.4	33.1	35.4	37.8	31.6	32.3	34.5	36.9	30.0	30.7	32.8	35.1	27.8	28.4	30.4	32.5	
		S/T	0.85	0.80	0.65	0.48	0.88	0.83	0.67	0.50	0.90	0.85	0.69	0.52	0.93	0.87	0.71	0.53	0.97	0.91	0.74	0.55	0.98	0.92	0.74	0.56	
		Delta T	25	24	21	17	26	25	21	17	26	25	21	17	26	25	22	17	25	24	21	17	24	23	20	16	
		KW	2.34	2.38	2.45	2.53	2.51	2.56	2.64	2.72	2.66	2.71	2.80	2.89	2.79	2.85	2.94	3.03	2.90	2.96	3.06	3.16	3.00	3.06	3.16	3.27	
		AMPS	6.6	6.7	6.9	7.1	7.0	7.2	7.4	7.6	7.6	7.7	8.0	8.2	8.0	8.2	8.5	8.8	8.5	8.7	9.0	9.3	9.0	9.2	9.5	9.8	
		HIPR	225	242	256	267	253	272	287	300	288	309	327	341	328	352	372	388	368	397	419	437	407	438	463	483	
		LO PR	109	116	126	135	115	122	134	142	120	127	139	148	126	134	146	155	132	140	153	163	136	145	158	168	

1350		MBh	38.6	39.3	41.2	44.0	37.7	38.4	40.3	42.9	36.8	37.5	39.3	41.9	35.9	36.6	38.3	40.9	34.1	34.8	36.4	38.9	31.6	32.2	33.7	36.0	
		S/T	0.97	0.93	0.84	0.68	1.00	0.97	0.87	0.71	1.00	0.99	0.90	0.73	1.00	0.98	0.88	0.72	1.00	1.00	0.96	0.78	1.00	1.00	0.97	0.79	
		Delta T	25	25	24	20	26	25	24	21	25	25	24	21	24	25	24	21	23	24	24	21	22	22	22	19	
		KW	2.43	2.48	2.55	2.63	2.61	2.66	2.74	2.83	2.76	2.82	2.91	3.00	2.90	2.97	3.06	3.16	3.02	3.09	3.19	3.29	3.12	3.19	3.30	3.40	
		AMPS	6.8	7.0	7.2	7.4	7.3	7.5	7.7	8.0	7.9	8.1	8.3	8.6	8.4	8.6	8.8	9.2	8.9	9.1	9.4	9.7	9.4	9.6	9.9	10.3	
		HIPR	237	255	269	281	266	286	302	315	302	325	344	358	344	371	391	408	387	417	440	459	428	461	487	507	
		LO PR	114	122	133	142	121	129	140	150	126	134	146	155	132	140	153	163	138	147	161	171	143	152	166	177	
85		MBh	37.5	38.2	40.0	42.7	36.6	37.3	39.1	41.7	35.7	36.4	38.1	40.7	34.9	35.5	37.2	39.7	33.1	33.8	35.4	37.7	30.7	31.3	32.8	34.9	
		S/T	0.92	0.89	0.80	0.65	0.96	0.92	0.83	0.68	0.98	0.95	0.86	0.69	1.00	0.98	0.88	0.72	1.00	1.00	0.92	0.74	1.00	1.00	0.92	0.75	
		Delta T	27	26	25	21	27	26	25	22	27	26	25	22	27	27	25	22	25	26	25	21	24	24	23	20	
		KW	2.41	2.46	2.53	2.61	2.59	2.64	2.72	2.81	2.74	2.80	2.89	2.98	2.88	2.94	3.04	3.13	3.00	3.06	3.16	3.26	3.10	3.17	3.27	3.38	
		AMPS	6.8	6.9	7.1	7.4	7.3	7.4	7.6	7.9	7.8	8.0	8.3	8.5	8.3	8.5	8.8	9.1	8.8	9.0	9.3	9.6	9.3	9.5	9.8	10.2	
		HIPR	235	252	267	278	263	283	299	312	299	322	340	355	341	367	388	404	384	413	436	455	424	456	482	502	
		LO PR	113	121	132	140	120	127	139	148	124	132	145	154	131	139	152	162	137	146	159	169	142	151	165	175	
1050		MBh	34.6	35.3	36.9	39.4	33.8	34.4	36.1	38.5	33.0	33.6	35.2	37.6	32.2	32.8	34.4	36.6	30.6	31.2	32.6	34.8	28.3	28.9	30.2	32.3	
		S/T	0.89	0.86	0.78	0.63	0.92	0.89	0.80	0.65	0.95	0.91	0.82	0.67	0.98	0.94	0.85	0.69	1.00	0.98	0.88	0.72	1.00	0.99	0.89	0.72	
		Delta T	27	27	25	22	27	27	25	22	27	27	25	22	28	27	26	22	27	27	27	25	22	25	25	24	20
		KW	2.35	2.40	2.47	2.55	2.53	2.58	2.66	2.74	2.68	2.73	2.82	2.91	2.81	2.87	2.96	3.06	2.93	2.99	3.08	3.18	3.02	3.09	3.19	3.29	
		AMPS	6.6	6.7	6.9	7.2	7.1	7.2	7.5	7.7	7.6	7.8	8.0	8.3	8.1	8.3	8.5	8.8	8.6	8.8	9.1	9.4	9.1	9.3	9.6	9.9	
		HIPR	228	245	259	270	255	275	290	303	290	313	330	344	331	356	376	392	372	400	423	441	411	442	467	487	
		LO PR	110	117	128	136	116	124	135	144	121	128	140	149	127	135	147	157	133	141	154	164	137	146	160	170	

IDB = Entering Indoor Dry Bulb Temperature
 High & low pressures are measured at the liquid & suction service ports.
 Shaded area reflects AHRI conditions
 Amps: Unit: amps (comp.+ evaporator + condenser fan motors)
 kW = Total system power

		OUTDOOR AMBIENT TEMPERATURE																																	
		65					75					85					95					105					115								
		IDB	AIRFLOW	59	63	67	71	59	63	67	71	59	63	67	71	59	63	67	71	59	63	67	71	59	63	67	71	59	63	67	71				
ENTERING INDOOR WET BULB TEMPERATURE																																			
70	1800	MBh	46.3	48.0	52.5	-	45.2	46.8	51.3	-	44.1	45.7	50.1	-	43.0	44.6	48.9	-	40.9	42.4	46.4	-	37.9	39.3	43.0	-	37.9	39.3	43.0	-	37.9	39.3	43.0	-	
		S/T	0.77	0.64	0.45	-	0.80	0.67	0.46	-	0.82	0.68	0.47	-	0.84	0.70	0.49	-	0.88	0.73	0.51	-	0.88	0.74	0.51	-	0.88	0.74	0.51	-	0.88	0.74	0.51	-	
		Delta T	18	16	12	-	18	16	12	-	18	16	12	-	19	16	12	-	18	16	12	-	17	15	11	-	17	15	11	-	17	15	11	-	
		KW	3.09	3.15	3.25	-	3.32	3.38	3.49	-	3.51	3.59	3.70	-	3.69	3.77	3.88	-	3.84	3.92	4.04	-	3.96	4.05	4.18	-	3.96	4.05	4.18	-	3.96	4.05	4.18	-	
		AMPS	8.0	8.2	8.4	-	8.6	8.8	9.0	-	9.3	9.5	9.8	-	9.9	10.1	10.4	-	10.5	10.7	11.0	-	11.0	11.3	11.7	-	11.0	11.3	11.7	-	11.0	11.3	11.7	-	
		HI PR	241	260	274	-	271	291	308	-	308	331	350	-	351	377	399	-	395	425	448	-	436	469	495	-	436	469	495	-	436	469	495	-	
		LO PR	112	119	130	-	118	126	137	-	123	131	142	-	129	137	150	-	135	144	157	-	140	149	162	-	140	149	162	-	140	149	162	-	
		MBh	44.9	46.6	51.0	-	43.9	45.5	49.8	-	42.8	44.4	48.6	-	41.8	43.3	47.5	-	39.7	41.2	45.1	-	36.8	38.1	41.8	-	36.8	38.1	41.8	-	36.8	38.1	41.8	-	
		S/T	0.73	0.61	0.42	-	0.76	0.64	0.44	-	0.78	0.65	0.45	-	0.80	0.67	0.47	-	0.84	0.70	0.48	-	0.84	0.70	0.49	-	0.84	0.70	0.49	-	0.84	0.70	0.49	-	
		Delta T	19	16	12	-	19	17	13	-	19	17	13	-	19	17	13	-	19	16	13	-	18	15	12	-	18	15	12	-	18	15	12	-	
	KW	3.07	3.13	3.22	-	3.29	3.36	3.46	-	3.49	3.56	3.67	-	3.66	3.74	3.85	-	3.81	3.89	4.01	-	3.93	4.02	4.14	-	3.93	4.02	4.14	-	3.93	4.02	4.14	-		
	AMPS	7.9	8.1	8.3	-	8.5	8.7	9.0	-	9.2	9.4	9.7	-	9.8	10.0	10.3	-	10.4	10.6	10.9	-	10.9	11.2	11.6	-	10.9	11.2	11.6	-	10.9	11.2	11.6	-		
	HI PR	239	257	272	-	268	289	305	-	305	328	346	-	347	374	395	-	391	420	444	-	432	465	491	-	432	465	491	-	432	465	491	-		
	LO PR	111	118	128	-	117	124	136	-	121	129	141	-	128	136	148	-	134	142	155	-	138	147	161	-	138	147	161	-	138	147	161	-		
	MBh	41.5	43.0	47.1	-	40.5	42.0	46.0	-	39.5	41.0	44.9	-	38.6	40.0	43.8	-	36.6	38.0	41.6	-	33.9	35.2	38.5	-	33.9	35.2	38.5	-	33.9	35.2	38.5	-		
	S/T	0.71	0.59	0.41	-	0.73	0.61	0.42	-	0.75	0.63	0.44	-	0.78	0.65	0.45	-	0.81	0.67	0.47	-	0.81	0.68	0.47	-	0.81	0.68	0.47	-	0.81	0.68	0.47	-		
	Delta T	19	17	13	-	20	17	13	-	20	17	13	-	20	17	13	-	20	17	13	-	19	16	12	-	19	16	12	-	19	16	12	-		
	KW	3.00	3.06	3.15	-	3.22	3.28	3.38	-	3.41	3.48	3.58	-	3.57	3.65	3.76	-	3.72	3.79	3.91	-	3.84	3.92	4.04	-	3.84	3.92	4.04	-	3.84	3.92	4.04	-		
	AMPS	7.7	7.9	8.1	-	8.3	8.5	8.7	-	9.0	9.2	9.4	-	9.5	9.7	10.1	-	10.1	10.3	10.7	-	10.7	10.9	11.3	-	10.7	10.9	11.3	-	10.7	10.9	11.3	-		
	HI PR	232	249	263	-	260	280	296	-	296	318	336	-	337	363	383	-	379	408	431	-	419	451	476	-	419	451	476	-	419	451	476	-		
	LO PR	107	114	125	-	113	121	132	-	118	125	137	-	124	132	144	-	130	138	151	-	134	143	156	-	134	143	156	-	134	143	156	-		
75	1800	MBh	47.1	48.5	52.4	56.3	46.0	47.3	51.2	55.0	44.9	46.2	50.0	53.7	43.8	45.1	48.8	52.4	41.6	42.8	46.3	49.7	38.5	39.7	42.9	46.1	38.5	39.7	42.9	46.1	38.5	39.7	42.9	46.1	
		S/T	0.87	0.78	0.59	0.38	0.91	0.81	0.61	0.39	0.93	0.83	0.63	0.40	0.96	0.86	0.65	0.42	1.00	0.89	0.67	0.43	1.00	0.90	0.68	0.44	1.00	0.90	0.68	0.44	1.00	0.90	0.68	0.44	
		Delta T	22	19	16	11	21	20	16	11	21	20	16	11	21	20	16	11	21	20	16	11	21	20	18	15	10	20	18	15	10	20	18	15	10
		KW	3.12	3.18	3.27	3.37	3.34	3.41	3.51	3.62	3.54	3.62	3.73	3.84	3.72	3.80	3.91	4.04	3.87	3.95	4.07	4.21	4.00	4.08	4.21	4.35	4.00	4.08	4.21	4.35	4.00	4.08	4.21	4.35	
		AMPS	8.1	8.2	8.5	8.8	8.7	8.9	9.1	9.4	9.4	9.6	9.9	10.2	10.0	10.2	10.5	10.9	10.6	10.8	11.1	11.5	11.1	11.4	11.8	12.2	11.1	11.4	11.8	12.2	11.1	11.4	11.8	12.2	
		HI PR	244	262	277	289	274	294	311	324	311	335	354	369	354	381	403	420	399	429	453	472	440	474	501	522	440	474	501	522	440	474	501	522	
		LO PR	113	120	131	140	119	127	138	147	124	132	144	153	130	138	151	161	136	145	158	169	141	150	164	175	141	150	164	175	141	150	164	175	
		MBh	45.7	47.0	50.9	54.6	44.6	45.9	49.7	53.4	43.6	44.9	48.5	52.1	42.5	43.8	47.4	50.8	40.4	41.6	45.0	48.3	37.4	38.5	41.7	44.7	37.4	38.5	41.7	44.7	37.4	38.5	41.7	44.7	
		S/T	0.83	0.75	0.56	0.36	0.86	0.77	0.59	0.38	0.89	0.79	0.60	0.39	0.91	0.82	0.62	0.40	0.95	0.85	0.64	0.41	0.96	0.86	0.65	0.42	0.96	0.86	0.65	0.42	0.96	0.86	0.65	0.42	
		Delta T	22	20	17	11	22	20	17	12	22	20	17	12	22	21	17	12	22	20	17	11	21	19	16	11	21	19	16	11	21	19	16	11	
	KW	3.09	3.15	3.25	3.35	3.32	3.38	3.49	3.60	3.51	3.59	3.70	3.81	3.69	3.77	3.88	4.01	3.84	3.92	4.04	4.17	3.96	4.05	4.18	4.31	3.96	4.05	4.18	4.31	3.96	4.05	4.18	4.31		
	AMPS	8.0	8.2	8.4	8.7	8.6	8.8	9.0	9.4	9.3	9.5	9.8	10.1	9.9	10.1	10.4	10.8	10.5	10.7	11.0	11.4	11.0	11.3	11.7	12.1	11.0	11.3	11.7	12.1	11.0	11.3	11.7	12.1		
	HI PR	241	260	274	286	271	291	308	321	308	331	350	365	351	378	399	416	395	425	449	468	436	469	496	517	436	469	496	517	436	469	496	517		
	LO PR	112	119	130	138	118	126	137	146	123	131	143	152	129	137	150	159	135	144	157	167	140	149	162	173	140	149	162	173	140	149	162	173		
	MBh	42.2	43.4	47.0	50.4	41.2	42.4	45.9	49.3	40.2	41.4	44.8	48.1	39.2	40.4	43.7	46.9	37.3	38.4	41.5	44.6	34.5	35.5	38.5	41.3	34.5	35.5	38.5	41.3	34.5	35.5	38.5	41.3		
	S/T	0.80	0.72	0.54	0.35	0.83	0.75	0.56	0.36	0.85	0.76	0.58	0.37	0.88	0.79	0.60	0.38	0.92	0.82	0.62	0.40	0.92	0.83	0.63	0.40	0.92	0.83	0.63	0.40	0.92	0.83	0.63	0.40		
	Delta T	22	21	17	12	23	21	17	12	23	21	17	12	23	21	17	12	23	21	17	11	22	19	16	11	22	19	16	11	22	19	16	11		
	KW	3.02	3.08	3.17	3.27	3.24	3.31	3.41	3.51	3.43	3.50	3.61	3.72	3.60	3.68	3.79	3.91	3.75	3.82	3.94	4.07	3.87	3.95	4.08	4.21										

EXPANDED COOLING DATA — 4 TONS (CONT.)

IDB	AIRFLOW	OUTDOOR AMBIENT TEMPERATURE															105															115														
		65					75					85					95					105					115																			
		59	63	67	71	75	59	63	67	71	75	59	63	67	71	75	59	63	67	71	75	59	63	67	71	75	59	63	67	71	75															
ENTERING INDOOR WET BULB TEMPERATURE																																														
80	MBh	47.9	48.9	52.3	55.9	46.8	47.8	51.1	54.6	58.1	45.7	46.7	49.9	53.3	56.8	44.6	45.5	48.6	52.0	55.5	42.3	43.3	46.2	49.4	52.9	39.2	40.1	42.8	45.8																	
	S/T	0.96	0.90	0.73	0.55	1.00	0.93	0.76	0.57	0.40	1.00	0.96	0.78	0.58	0.42	1.00	1.00	0.80	0.60	0.45	1.00	1.00	0.83	0.62	0.46	1.00	1.00	0.84	0.63																	
	Delta T	23	22	20	16	24	23	20	16	12	23	23	20	16	12	23	23	20	16	12	22	22	20	16	12	20	20	18	15																	
	1800 KW	3.14	3.20	3.30	3.40	3.37	3.44	3.54	3.65	3.76	3.57	3.64	3.76	3.88	4.00	3.75	3.83	3.95	4.07	4.20	3.90	3.98	4.11	4.24	4.37	4.03	4.12	4.25	4.39																	
	AMPS	8.1	8.3	8.6	8.9	8.7	8.9	9.2	9.5	9.8	9.4	9.6	9.9	10.3	10.7	10.0	10.3	10.6	11.0	11.4	10.6	10.9	11.2	11.6	12.0	11.2	11.5	11.9	12.3																	
	HI PR	246	265	280	292	276	297	314	327	341	314	338	357	372	388	358	385	407	424	442	403	433	458	477	497	445	479	506	527																	
	LO PR	114	121	132	141	120	128	140	149	158	125	133	145	155	164	131	140	153	163	172	138	147	160	170	180	143	152	166	176																	
	MBh	46.5	47.5	50.8	54.3	45.4	46.4	49.6	53.0	56.5	44.3	45.3	48.4	51.7	55.2	43.3	44.2	47.2	50.5	53.9	41.1	42.0	44.9	48.0	51.5	38.1	38.9	41.6	44.4																	
	S/T	0.91	0.86	0.70	0.52	0.95	0.89	0.72	0.54	0.38	0.97	0.91	0.74	0.55	0.39	1.00	0.94	0.77	0.57	0.42	1.00	0.98	0.80	0.59	0.43	1.00	0.98	0.80	0.60																	
	Delta T	24	23	20	16	25	24	21	16	12	25	24	21	16	12	25	24	21	17	13	24	24	20	16	12	22	22	19	15																	
1600 KW	3.12	3.18	3.27	3.37	3.34	3.41	3.51	3.62	3.73	3.54	3.62	3.73	3.84	3.96	3.72	3.80	3.92	4.04	4.17	3.87	3.95	4.07	4.21	4.34	4.00	4.08	4.21	4.35																		
AMPS	8.1	8.2	8.5	8.8	8.7	8.9	9.1	9.4	9.7	9.4	9.6	9.9	10.2	10.6	10.0	10.2	10.5	10.9	11.3	10.6	10.8	11.1	11.5	11.9	11.1	11.4	11.8	12.2																		
HI PR	244	262	277	289	274	294	311	324	337	311	335	354	369	384	354	381	403	420	437	399	429	453	473	493	440	474	501	522																		
LO PR	113	120	131	140	119	127	138	148	158	124	132	144	153	163	130	138	151	161	171	136	145	158	169	180	141	150	164	175																		
MBh	42.9	43.9	46.9	50.1	41.9	42.8	45.8	48.9	52.1	40.9	41.8	44.7	47.8	51.0	39.9	40.8	43.6	46.6	49.7	37.9	38.8	41.4	44.3	47.4	35.1	35.9	38.4	41.0																		
S/T	0.88	0.83	0.67	0.50	0.91	0.86	0.70	0.52	0.37	0.94	0.88	0.72	0.53	0.38	0.97	0.91	0.74	0.55	0.40	1.00	0.94	0.77	0.57	0.42	1.01	0.95	0.77	0.58																		
Delta T	25	24	21	17	25	24	21	17	13	25	24	21	17	13	25	24	21	17	13	24	24	21	17	13	23	22	19	16																		
1400 KW	3.05	3.11	3.20	3.30	3.27	3.33	3.43	3.54	3.65	3.46	3.53	3.64	3.75	3.86	3.63	3.71	3.82	3.94	4.05	3.77	3.85	3.98	4.10	4.21	3.90	3.98	4.11	4.24																		
AMPS	7.9	8.0	8.3	8.6	8.4	8.6	8.9	9.2	9.5	9.1	9.3	9.6	9.9	10.2	9.7	9.9	10.2	10.6	11.0	10.3	10.5	10.8	11.2	11.6	10.9	11.1	11.5	11.9																		
HI PR	236	255	269	280	265	286	302	315	328	302	325	343	358	373	344	370	391	407	423	387	416	439	458	477	427	460	486	506																		
LO PR	109	116	127	135	116	123	134	143	152	120	128	140	149	158	126	134	147	156	165	132	141	154	164	174	137	146	159	169																		
85	MBh	48.7	49.7	52.0	55.5	47.6	48.5	50.8	54.2	57.7	46.5	47.4	49.6	52.9	56.4	45.3	46.2	48.4	51.6	55.1	43.1	43.9	46.0	49.1	52.6	39.9	40.7	42.6	45.4																	
	S/T	1.00	0.97	0.88	0.71	1.00	1.00	0.91	0.74	0.57	1.00	1.00	0.93	0.76	0.60	1.00	1.00	0.96	0.78	0.63	1.00	1.00	0.93	0.81	1.00	1.00	1.00	0.82																		
	Delta T	25	25	23	20	24	25	24	20	16	24	24	24	20	16	23	24	24	21	17	22	22	20	16	12	20	21	22	19																	
	1800 KW	3.16	3.23	3.32	3.42	3.39	3.46	3.57	3.68	3.79	3.60	3.67	3.79	3.91	4.02	3.78	3.86	3.98	4.11	4.24	3.93	4.01	4.14	4.27	4.40	4.06	4.15	4.28	4.42																	
	AMPS	8.2	8.4	8.6	8.9	8.8	9.0	9.3	9.6	9.9	9.5	9.7	10.0	10.4	10.7	10.1	10.4	10.7	11.1	11.5	10.7	11.0	11.3	11.7	12.1	11.3	11.6	12.0	12.4																	
	HI PR	249	268	283	295	279	300	317	331	344	317	342	361	376	391	361	389	411	428	445	407	438	462	482	499	449	484	511	533																	
	LO PR	115	122	134	142	122	129	141	150	159	126	135	147	156	165	133	141	154	164	173	139	148	162	172	181	144	153	167	178																	
	MBh	47.3	48.2	50.5	53.9	46.2	47.1	49.3	52.6	56.0	45.1	46.0	48.2	51.4	54.7	44.0	44.9	47.0	50.1	53.4	41.8	42.6	44.6	47.6	51.0	38.7	39.5	41.3	44.1																	
	S/T	0.96	0.93	0.84	0.68	0.99	0.96	0.87	0.70	0.53	1.00	0.98	0.89	0.72	0.57	1.00	1.00	0.92	0.74	0.59	1.00	1.00	0.95	0.77	1.00	1.00	1.00	0.96	0.78																	
	Delta T	26	26	24	21	26	26	25	21	17	26	26	25	21	17	25	26	25	21	17	24	24	24	21	17	22	23	23	20																	
1600 KW	3.14	3.20	3.30	3.40	3.37	3.44	3.54	3.65	3.76	3.57	3.64	3.76	3.88	3.99	3.75	3.83	3.95	4.07	4.20	3.90	3.98	4.11	4.24	4.37	4.03	4.12	4.25	4.39																		
AMPS	8.1	8.3	8.6	8.9	8.7	8.9	9.2	9.5	9.8	9.4	9.6	9.9	10.3	10.7	10.0	10.3	10.6	11.0	11.4	10.6	10.9	11.2	11.6	12.0	11.2	11.5	11.9	12.3																		
HI PR	246	265	280	292	276	297	314	327	340	314	338	357	372	387	358	385	407	424	441	403	433	458	477	497	445	479	506	527																		
LO PR	114	121	132	141	120	128	140	149	158	125	133	145	155	164	131	140	153	163	172	138	147	160	170	180	143	152	166	176																		
MBh	43.7	44.5	46.6	49.7	42.7	43.5	45.5	48.6	51.7	41.6	42.4	44.5	47.4	50.5	40.6	41.4	43.4	46.3	49.4	38.6	39.3	41.2	44.0	47.1	35.7	36.4	38.2	40.7																		
S/T	0.92	0.89	0.81	0.65	0.96	0.92	0.83	0.68	0.51	0.98	0.95	0.86	0.69	0.53	1.00	0.98	0.88	0.72	0.57	1.00	1.00	0.92	0.74	1.00	1.00	1.00	0.92	0.75																		
Delta T	27	26	25	21	27	26	25	22	18	27	26	25	22	18	27	27	25	22	18	25	26	25	21	17	23	24	23	20																		
1400 KW	3.07	3.13	3.22	3.32	3.29	3.36	3.46	3.57	3.68	3.49	3.56	3.67	3.78	3.89	3.66	3.73	3.85	3.97	4.08	3.80	3.89	4.01	4.14	4.27	3.93	4.02	4.14	4.28																		
AMPS	7.9	8.1	8.3	8.6	8.5	8.7	9.0	9.3	9.6	9.2	9.4	9.7	10.0	10.3	9.8	10.0	10.3	10.7	11.1	10.4	10.6	10.9	11.3	11.7	10.9	11.2	11.6	12.0																		
HI PR	239	257	271	283	268	288	305	318	331	305	328	346	361	374	347	374	395	411	427	391	420	444	463	481	432	464	490	511																		
LO PR	111	118	128	137	117	124	136	145	154	121	129	141	150	159	128	136	148	158	167	134	142	155	165	174	138	147	161	171																		

IDB = Entering Indoor Dry Bulb Temperature
 High & low pressures are measured at the liquid & suction service ports.
 Shaded area reflects AHRI conditions
 Amperage: Unit amps (comp.+ evaporator + condenser fan motors)
 kW = Total system power

IDB		OUTDOOR AMBIENT TEMPERATURE															105															115														
		85					95					105					115																													
		59	63	67	71	75	59	63	67	71	75	59	63	67	71	75	59	63	67	71	75																									
		ENTERING INDOOR WET BULB TEMPERATURE																																												
		MBh	59.2	61.3	67.2	-	57.8	59.9	65.6	-	56.4	58.5	64.1	-	55.0	57.0	62.5	-	52.3	54.2	59.4	-	48.4	50.2	55.0	-																				
		S/T	0.75	0.63	0.44	-	0.78	0.65	0.45	-	0.80	0.67	0.46	-	0.83	0.69	0.48	-	0.86	0.72	0.50	-	0.86	0.72	0.50	-																				
		Delta T	18	16	12	-	18	16	12	-	18	16	12	-	19	16	12	-	18	16	12	-	17	15	11	-																				
2250		KW	3.97	4.05	4.17	-	4.26	4.34	4.48	-	4.51	4.60	4.75	-	4.74	4.84	4.99	-	4.93	5.03	5.19	-	5.09	5.20	5.37	-																				
		AMPS	10.3	10.5	10.8	-	11.0	11.3	11.6	-	11.9	12.2	12.6	-	12.7	13.0	13.4	-	13.4	13.8	14.2	-	14.2	14.5	15.0	-																				
		HI PR	238	256	270	-	267	287	303	-	304	327	345	-	346	372	393	-	389	419	442	-	430	463	488	-																				
		LO PR	112	119	130	-	118	126	137	-	123	131	142	-	129	137	150	-	135	144	157	-	140	149	162	-																				
		MBh	57.4	59.5	65.2	-	56.1	58.1	63.7	-	54.8	56.8	62.2	-	53.4	55.4	60.7	-	50.8	52.6	57.6	-	47.0	48.7	53.4	-																				
		S/T	0.72	0.60	0.42	-	0.74	0.62	0.43	-	0.76	0.64	0.44	-	0.79	0.66	0.46	-	0.82	0.68	0.47	-	0.82	0.69	0.48	-																				
		Delta T	19	16	12	-	19	17	13	-	19	17	13	-	19	17	13	-	19	16	13	-	18	15	12	-																				
70		KW	3.94	4.02	4.14	-	4.22	4.31	4.44	-	4.48	4.57	4.71	-	4.70	4.80	4.95	-	4.89	4.99	5.15	-	5.05	5.16	5.32	-																				
		AMPS	10.2	10.4	10.7	-	10.9	11.2	11.5	-	11.8	12.1	12.5	-	12.6	12.9	13.3	-	13.3	13.6	14.1	-	14.1	14.4	14.9	-																				
		HI PR	236	253	268	-	264	284	300	-	301	323	342	-	342	368	389	-	385	414	438	-	426	458	484	-																				
		LO PR	111	118	128	-	117	124	136	-	121	129	141	-	128	136	148	-	134	142	155	-	138	147	161	-																				
		MBh	53.0	54.9	60.2	-	51.8	53.7	58.8	-	50.5	52.4	57.4	-	49.3	51.1	56.0	-	46.8	48.6	53.2	-	43.4	45.0	49.3	-																				
		S/T	0.69	0.58	0.40	-	0.72	0.60	0.41	-	0.74	0.61	0.43	-	0.76	0.63	0.44	-	0.79	0.66	0.46	-	0.79	0.66	0.46	-																				
		Delta T	19	17	13	-	19	17	13	-	20	17	13	-	20	17	13	-	19	17	13	-	18	16	12	-																				
1750		KW	3.85	3.93	4.04	-	4.13	4.21	4.34	-	4.37	4.46	4.60	-	4.59	4.68	4.83	-	4.77	4.87	5.02	-	4.93	5.03	5.19	-																				
		AMPS	9.9	10.1	10.4	-	10.7	10.9	11.2	-	11.5	11.8	12.1	-	12.2	12.5	12.9	-	13.0	13.3	13.7	-	13.7	14.0	14.5	-																				
		HI PR	228	246	260	-	256	276	291	-	292	314	331	-	332	357	377	-	374	402	425	-	413	444	469	-																				
		LO PR	107	114	125	-	113	121	132	-	118	125	137	-	124	132	144	-	130	138	151	-	134	143	156	-																				
		MBh	60.2	61.9	67.0	72.0	58.8	60.5	65.5	70.3	57.4	59.1	63.9	68.6	56.0	57.6	62.4	66.9	53.2	54.7	59.2	63.6	49.2	50.7	54.9	58.9																				
		S/T	0.85	0.76	0.58	0.37	0.89	0.79	0.60	0.39	0.91	0.81	0.62	0.40	0.94	0.84	0.63	0.41	0.97	0.87	0.66	0.42	0.98	0.88	0.66	0.43																				
		Delta T	21	19	16	11	21	20	16	11	21	20	16	11	21	20	16	11	21	19	16	11	20	18	15	10																				
2250		KW	4.00	4.08	4.20	4.33	4.29	4.38	4.51	4.65	4.55	4.64	4.79	4.94	4.77	4.87	5.03	5.19	4.97	5.07	5.23	5.40	5.13	5.24	5.41	5.59																				
		AMPS	10.3	10.6	10.9	11.3	11.1	11.4	11.7	12.1	12.0	12.3	12.7	13.1	12.8	13.1	13.5	14.0	13.6	13.9	14.3	14.8	14.3	14.7	15.1	15.7																				
		HI PR	240	259	273	285	270	290	306	320	307	330	349	364	349	376	397	414	393	423	447	466	434	467	493	515																				
		LO PR	113	120	131	140	119	127	138	147	124	132	144	153	130	138	151	161	136	145	158	169	141	150	164	175																				
		MBh	58.4	60.1	65.1	69.9	57.0	58.7	63.6	68.2	55.7	57.3	62.1	66.6	54.3	55.9	60.6	65.0	51.6	53.1	57.5	61.7	47.8	49.2	53.3	57.2																				
		S/T	0.82	0.73	0.55	0.36	0.84	0.76	0.57	0.37	0.87	0.78	0.59	0.38	0.89	0.80	0.61	0.39	0.93	0.83	0.63	0.40	0.94	0.84	0.63	0.41																				
		Delta T	22	20	17	11	22	20	17	12	22	20	17	12	22	21	17	12	22	20	17	11	21	19	16	11																				
2000		KW	3.97	4.05	4.17	4.30	4.26	4.34	4.48	4.62	4.51	4.61	4.75	4.90	4.74	4.84	4.99	5.15	4.93	5.03	5.19	5.36	5.09	5.20	5.37	5.54																				
		AMPS	10.3	10.5	10.8	11.2	11.0	11.3	11.6	12.0	11.9	12.2	12.6	13.0	12.7	13.0	13.4	13.9	13.4	13.8	14.2	14.7	14.2	14.5	15.0	15.6																				
		HI PR	238	256	270	282	267	287	303	316	304	327	345	360	346	372	393	410	389	419	442	461	430	463	489	510																				
		LO PR	112	119	130	138	118	126	137	146	123	131	143	152	129	137	150	159	135	144	157	167	140	149	162	173																				
		MBh	53.9	55.5	60.1	64.5	52.7	54.2	58.7	63.0	51.4	52.9	57.3	61.5	50.1	51.6	55.9	60.0	47.6	49.1	53.1	57.0	44.1	45.4	49.2	52.8																				
		S/T	0.79	0.70	0.53	0.34	0.81	0.73	0.55	0.35	0.84	0.75	0.57	0.36	0.86	0.77	0.58	0.38	0.90	0.80	0.61	0.39	0.90	0.81	0.61	0.39																				
		Delta T	22	21	17	12	23	21	17	12	23	21	17	12	23	21	17	12	22	21	17	12	21	19	16	11																				
1750		KW	3.88	3.96	4.07	4.20	4.16	4.24	4.37	4.51	4.41	4.50	4.64	4.78	4.62	4.72	4.87	5.02	4.81	4.91	5.07	5.23	4.97	5.07	5.24	5.41																				
		AMPS	10.0	10.2	10.5	10.9	10.7	11.0	11.3	11.7	11.6	11.9	12.2	12.7	12.4	12.6	13.0	13.5	13.1	13.4	13.8	14.3	13.8	14.2	14.6	15.1																				
		HI PR	231	248	262	274	259	279	294	307	295	317	335	349	335	361	381	398	377	406	429	447	417	449	474	494																				
		LO PR	108	115	126	134	115	122	133	142	119	127	138	147	125	133	145	155	131	139	152	162	136	144	157	168																				

IDB = Entering Indoor Dry Bulb Temperature
 High & low pressures are measured at the liquid & suction service ports.
 Shaded area reflects ACCA (TVA) conditions
 Amperes: Unit amps (comp.+ evaporator + condenser fan motors)
 KW = Total system power

		OUTDOOR AMBIENT TEMPERATURE										105										115									
		85					95					105					115														
IDB	AIRFLOW	59	63	67	71	75	59	63	67	71	75	59	63	67	71	75	59	63	67	71	75	59	63	67	71	75					
		ENTERING INDOOR WET BULB TEMPERATURE																													
80	MBh	61.2	62.6	66.8	71.5	59.8	61.1	65.3	69.8	71.5	59.8	61.1	65.3	69.8	71.5	57.0	58.2	62.2	66.5	68.1	54.1	55.3	59.1	63.1	67.1	50.1	51.2	54.7	58.5		
	S/T	0.94	0.88	0.72	0.53	1.00	0.91	0.74	0.55	0.55	1.00	0.93	0.76	0.57	0.57	1.00	0.96	0.79	0.59	0.59	1.00	1.00	0.81	0.61	0.61	1.00	1.00	0.82	0.61		
	Delta T	23	22	20	16	24	23	20	16	16	24	23	20	16	16	23	23	20	16	16	22	23	20	16	16	20	21	18	15		
	KW	4.03	4.11	4.23	4.36	4.32	4.41	4.55	4.69	4.98	4.58	4.68	4.82	4.98	4.98	4.81	4.91	5.07	5.23	5.23	5.01	5.11	5.28	5.45	5.45	5.17	5.29	5.46	5.63		
	AMPS	10.4	10.7	11.0	11.4	11.2	11.5	11.8	12.2	13.2	12.1	12.4	12.8	13.2	13.2	12.9	13.2	13.6	14.1	14.1	13.7	14.0	14.5	15.0	15.0	14.5	14.8	15.3	15.8		
	HI PR	243	261	276	288	272	293	310	323	367	310	333	352	367	367	353	380	401	418	418	397	427	451	470	470	439	472	498	520		
	LO PR	114	121	132	141	120	128	140	149	155	125	133	145	155	155	131	140	153	163	163	138	147	160	170	170	143	152	166	176		
	MBh	59.4	60.7	64.9	69.4	58.1	59.3	63.4	67.8	66.1	56.7	57.9	61.9	66.1	66.1	55.3	56.5	60.4	64.5	64.5	52.5	53.7	57.4	61.3	61.3	48.7	49.7	53.1	56.8		
	S/T	0.89	0.84	0.68	0.51	0.93	0.87	0.71	0.53	0.54	0.95	0.89	0.73	0.54	0.54	0.98	0.92	0.75	0.56	0.56	1.00	0.95	0.78	0.58	0.58	1.00	0.96	0.78	0.59		
	Delta T	24	23	20	16	25	24	21	16	16	25	24	21	16	16	25	24	21	17	17	24	24	20	16	16	22	22	19	15		
KW	4.00	4.08	4.20	4.33	4.29	4.38	4.51	4.65	4.94	4.55	4.64	4.79	4.94	4.94	4.77	4.87	5.03	5.19	5.19	4.97	5.07	5.23	5.40	5.40	5.13	5.24	5.41	5.59			
AMPS	10.3	10.6	10.9	11.3	11.1	11.4	11.7	12.1	13.1	12.0	12.3	12.7	13.1	13.1	12.8	13.1	13.5	14.0	14.0	13.6	13.9	14.3	14.8	14.8	14.3	14.7	15.1	15.7			
HI PR	240	259	273	285	270	290	306	320	364	307	330	349	364	364	349	376	397	414	414	393	423	447	466	466	434	467	493	515			
LO PR	113	120	131	140	119	127	138	148	153	124	132	144	153	153	130	138	151	161	161	136	145	158	169	169	141	150	164	175			
MBh	54.9	56.1	59.9	64.0	53.6	54.8	58.5	62.5	61.1	52.3	53.5	57.1	61.1	61.1	51.0	52.2	55.7	59.6	59.6	48.5	49.5	52.9	56.6	56.6	44.9	45.9	49.0	52.4			
S/T	0.86	0.81	0.66	0.49	0.89	0.84	0.68	0.51	0.52	0.92	0.86	0.70	0.52	0.52	0.95	0.89	0.72	0.54	0.54	0.98	0.92	0.75	0.56	0.56	0.99	0.93	0.76	0.56			
Delta T	25	24	21	17	25	24	21	17	17	25	24	21	17	17	25	24	21	17	17	25	24	21	17	17	23	22	19	16			
KW	3.91	3.99	4.11	4.23	4.19	4.28	4.41	4.54	4.82	4.44	4.53	4.67	4.82	4.82	4.66	4.76	4.91	5.06	5.06	4.85	4.95	5.11	5.27	5.27	5.01	5.12	5.28	5.45			
AMPS	10.1	10.3	10.6	11.0	10.8	11.1	11.4	11.8	12.8	11.7	12.0	12.3	12.8	12.8	12.5	12.7	13.1	13.6	13.6	13.2	13.5	13.9	14.4	14.4	14.0	14.3	14.7	15.3			
HI PR	233	251	265	276	262	282	297	310	353	298	320	338	353	353	339	365	385	402	402	381	410	433	452	452	421	453	479	499			
LO PR	109	116	127	135	116	123	134	143	143	120	128	140	149	149	126	134	147	156	156	132	141	154	164	164	137	146	159	169			
85	MBh	62.3	63.5	66.5	71.0	60.9	62.0	65.0	69.3	67.7	59.4	60.6	63.4	67.7	67.7	58.0	59.1	61.9	66.0	66.0	55.1	56.1	58.8	62.7	62.7	51.0	52.0	54.4	58.1		
	S/T	0.98	0.95	0.86	0.69	1.00	0.98	0.89	0.72	0.74	1.00	1.00	0.91	0.74	0.74	1.00	1.00	0.94	0.76	0.76	1.00	1.00	0.97	0.79	0.79	1.00	1.00	0.98	0.80		
	Delta T	25	25	23	20	25	25	24	20	20	24	25	24	20	20	24	24	24	21	21	22	23	23	20	20	21	21	22	19		
	KW	4.06	4.14	4.27	4.40	4.36	4.45	4.58	4.73	4.86	4.62	4.72	4.86	5.02	5.02	4.85	4.95	5.11	5.27	5.27	5.05	5.15	5.32	5.49	5.49	5.22	5.33	5.50	5.68		
	AMPS	10.5	10.7	11.1	11.5	11.3	11.6	11.9	12.3	13.4	12.2	12.5	12.9	13.4	13.4	13.0	13.3	13.7	14.2	14.2	13.8	14.1	14.6	15.1	15.1	14.6	14.9	15.4	16.0		
	HI PR	245	264	279	291	275	296	313	326	371	313	337	356	371	371	356	384	405	422	422	401	431	456	475	475	443	477	503	525		
	LO PR	115	122	134	142	122	129	141	150	156	126	135	147	156	156	133	141	154	164	164	139	148	162	172	172	144	153	167	178		
	MBh	60.5	61.7	64.6	68.9	59.1	60.2	63.1	67.3	65.7	57.7	58.8	61.6	65.7	65.7	56.3	57.4	60.1	64.1	64.1	53.5	54.5	57.1	60.9	60.9	49.5	50.5	52.9	56.4		
	S/T	0.94	0.90	0.82	0.66	0.97	0.94	0.85	0.69	0.70	1.00	0.96	0.87	0.70	0.70	1.00	0.99	0.90	0.73	0.73	1.00	1.00	0.93	0.75	0.75	1.00	1.00	0.94	0.76		
	Delta T	26	26	24	21	26	26	25	21	21	26	26	25	21	21	26	26	25	21	21	25	25	24	21	21	23	23	23	20		
KW	4.03	4.11	4.23	4.36	4.32	4.41	4.55	4.69	4.98	4.58	4.68	4.82	4.98	4.98	4.81	4.91	5.07	5.23	5.23	5.01	5.11	5.28	5.45	5.45	5.17	5.29	5.46	5.63			
AMPS	10.4	10.7	11.0	11.4	11.2	11.5	11.8	12.2	13.2	12.1	12.4	12.8	13.2	13.2	12.9	13.2	13.6	14.1	14.1	13.7	14.0	14.5	15.0	15.0	14.5	14.8	15.3	15.8			
HI PR	243	261	276	288	272	293	310	323	367	310	333	352	367	367	353	380	401	418	418	397	427	451	470	470	439	472	498	520			
LO PR	114	121	132	141	120	128	140	149	155	125	133	145	155	155	131	140	153	163	163	138	147	160	170	170	143	152	166	176			
MBh	55.8	56.9	59.6	63.6	54.5	55.6	58.2	62.1	60.6	53.2	54.3	56.8	60.6	60.6	51.9	52.9	55.4	59.1	59.1	49.3	50.3	52.7	56.2	56.2	45.7	46.6	48.8	52.1			
S/T	0.90	0.87	0.79	0.64	0.94	0.90	0.82	0.66	0.68	0.96	0.93	0.84	0.68	0.68	0.99	0.96	0.86	0.70	0.70	1.00	0.99	0.90	0.73	0.73	1.00	1.00	0.90	0.73			
Delta T	27	26	25	21	27	26	25	22	22	27	26	25	22	22	27	27	25	22	22	26	26	25	21	21	24	24	23	20			
KW	3.94	4.02	4.14	4.26	4.22	4.31	4.44	4.58	4.86	4.48	4.57	4.71	4.86	4.86	4.70	4.80	4.95	5.10	5.10	4.89	4.99	5.15	5.31	5.31	5.05	5.16	5.32	5.49			
AMPS	10.2	10.4	10.7	11.1	10.9	11.2	11.5	11.9	12.9	11.8	12.1	12.5	12.9	12.9	12.6	12.9	13.3	13.7	13.7	13.3	13.6	14.1	14.6	14.6	14.1	14.4	14.9	15.4			
HI PR	235	253	268	279	264	284	300	313	356	301	323	341	356	356	342	368	389	406	406	385	414	438	456	456	425	458	483	504			
LO PR	111	118	128	137	117	124	136	145	150	121	129	141	150	150	128	136	148	158	158	134	142	155	165	165	138	147	161	171			

IDB = Entering Indoor Dry Bulb Temperature
 High & low pressures are measured at the liquid & suction service ports.

Shaded area reflects AHRI conditions

Amperage: Unit amps (comp.+ evaporator + condenser fan motors)

KW = Total system power

STANDARD BELT DRIVE — DOWN SHOT

ESP (" W.C.)	TURNS OPEN											
	0		1		2		3		4		5	
	CFM	BHP	CFM	BHP	CFM	BHP	CFM	BHP	CFM	BHP	CFM	BHP
0.1	---	---	---	---	---	---	---	---	1358	0.32	1210	0.24
0.2	---	---	---	---	---	---	---	---	1203	0.29	1044	0.23
0.3	---	---	---	---	---	---	1209	0.34	1044	0.27	854	0.22
0.4	---	---	---	---	1320	0.34	1050	0.31	836	0.24	665	0.20
0.5	---	---	1317	0.37	1124	0.31	862	0.29	---	---	---	---
0.6	---	---	1154	0.34	930	0.28	675	0.25	---	---	---	---
0.7	1270	0.41	991	0.31	685	0.25	---	---	---	---	---	---
0.8	1091	0.37	807	0.28	---	---	---	---	---	---	---	---
0.9	905	0.34	633	0.25	---	---	---	---	---	---	---	---
1.0	660	0.29	---	---	---	---	---	---	---	---	---	---

HIGH-STATIC BELT DRIVE — DOWN SHOT

ESP (" W.C.)	TURNS OPEN											
	0		1		2		3		4		5	
	CFM	BHP	CFM	BHP	CFM	BHP	CFM	BHP	CFM	BHP	CFM	BHP
0.6	---	---	---	---	---	---	---	---	---	---	---	---
0.7	---	---	---	---	---	---	---	---	---	---	---	---
0.8	---	---	---	---	---	---	---	---	---	---	1240	0.44
0.9	---	---	---	---	---	---	---	---	---	---	1124	0.43
1.0	---	---	---	---	---	---	---	---	1225	0.48	965	0.39
1.1	---	---	---	---	---	---	1280	0.55	1063	0.44	804	0.37
1.2	---	---	---	---	---	---	1143	0.52	867	0.40	---	---
1.3	---	---	---	---	1268	0.59	963	0.48	651	0.36	---	---
1.4	---	---	1347	0.69	1127	0.55	766	0.43	---	---	---	---
1.5	---	---	1211	0.65	986	0.52	---	---	---	---	---	---
1.6	1290	0.73	1024	0.59	833	0.48	---	---	---	---	---	---
1.7	1152	0.69	837	0.55	---	---	---	---	---	---	---	---
1.8	1062	0.66	---	---	---	---	---	---	---	---	---	---

STANDARD BELT DRIVE — HORIZONTAL

ESP (" W.C.)	TURNS OPEN											
	0		1		2		3		4		5	
	CFM	BHP	CFM	BHP	CFM	BHP	CFM	BHP	CFM	BHP	CFM	BHP
0.1	---	---	---	---	---	---	---	---	---	---	1375	0.28
0.2	---	---	---	---	---	---	---	---	1367	0.33	1186	0.21
0.3	---	---	---	---	---	---	1374	0.39	1186	0.31	971	---
0.4	---	---	---	---	---	---	1193	0.36	952	0.28	756	---
0.5	---	---	---	---	1277	0.36	980	0.34	718	0.26	---	---
0.6	---	---	1312	0.39	1056	0.33	767	0.31	---	---	---	---
0.7	---	---	1126	0.36	779	0.29	---	---	---	---	---	---
0.8	1240	0.43	917	0.33	---	---	---	---	---	---	---	---
0.9	1029	0.39	708	0.30	---	---	---	---	---	---	---	---
1.0	749	0.34	---	---	---	---	---	---	---	---	---	---

HIGH-STATIC BELT DRIVE — HORIZONTAL

ESP (" W.C.)	TURNS OPEN											
	0		1		2		3		4		5	
	CFM	BHP	CFM	BHP	CFM	BHP	CFM	BHP	CFM	BHP	CFM	BHP
0.6	---	---	---	---	---	---	---	---	---	---	---	---
0.7	---	---	---	---	---	---	---	---	---	---	---	---
0.8	---	---	---	---	---	---	---	---	---	---	1459	0.51
0.9	---	---	---	---	---	---	---	---	---	---	1322	0.50
1.0	---	---	---	---	---	---	---	---	1392	0.55	1136	0.46
1.1	---	---	---	---	---	---	1455	0.63	1208	0.51	947	0.43
1.2	---	---	---	---	---	---	1299	0.60	985	0.46	738	0.40
1.3	---	---	---	---	1409	0.65	1094	0.54	740	0.41	---	---
1.4	---	---	1480	0.76	1252	0.61	870	0.49	---	---	---	---
1.5	---	---	1331	0.71	1095	0.57	---	---	---	---	---	---
1.6	1418	0.80	1126	0.65	925	0.53	---	---	---	---	---	---
1.7	1266	0.75	920	0.60	---	---	---	---	---	---	---	---
1.8	1168	0.73	---	---	---	---	---	---	---	---	---	---

STANDARD DIRECT DRIVE — HORIZONTAL

CFM	STATIC	AMPS	WATTS	RPM	SPEED TAP
1280	0.1	1.54	360	755	Low
1215	0.2	1.5	345	800	
1145	0.3	1.46	335	830	
1080	0.4	1.42	325	870	
1005	0.5	1.37	310	895	
1485	0.1	1.98	460	840	Med
1410	0.2	1.92	440	870	
1335	0.3	1.86	425	900	
1255	0.4	1.8	410	930	
1170	0.5	1.75	400	950	
1075	0.6	1.68	380	980	
945	0.7	1.6	360	1005	High
1445	0.2	2.2	505	940	
1365	0.3	2.14	490	960	
1270	0.4	2.08	470	985	
1180	0.5	2.02	460	1000	
1050	0.6	1.92	435	1030	
825	0.7	1.78	400	1055	
920	0.8	1.90	390	1067	

SEE NOTES BELOW

STANDARD DIRECT DRIVE — DOWN SHOT

CFM	STATIC	AMPS	WATTS	RPM	SPEED TAP
1270	0.1	1.53	355	760	Low
1205	0.2	1.53	350	810	
1145	0.3	1.49	340	840	
1085	0.4	1.45	330	875	
1035	0.5	1.42	320	900	
1460	0.6	1.96	450	850	
1380	0.1	1.89	430	885	Med
1275	0.2	1.8	405	915	
1175	0.3	1.73	400	950	
1075	0.4	1.68	380	965	
1005	0.5	1.63	370	1000	
915	0.6	1.59	360	1015	
1445	0.7	2.2	500	950	High
1340	0.3	2.13	480	975	
1275	0.4	2.07	465	1000	
1175	0.5	2.02	455	1020	
1040	0.6	1.92	430	1045	
830	0.7	1.78	395	1070	
922	0.8	1.90	386	1067	

AIRFLOW DATA — 4 TONS

STANDARD DIRECT DRIVE — HORIZONTAL

CFM	STATIC	AMPS	WATTS	RPM	SPEED TAP
1570	0.1	2.09	490	905	Low
1520	0.2	2.06	480	920	
1445	0.3	1.95	460	945	
1375	0.4	1.89	440	970	
1295	0.5	1.81	425	995	
1715	0.1	2.39	560	975	Med
1655	0.2	2.32	545	985	
1580	0.3	2.24	525	1005	
1500	0.4	2.16	505	1020	
1405	0.5	2.09	490	1035	
1305	0.6	2.00	465	1050	
1200	0.7	1.92	440	1065	High
1839	0.1	2.77	650	1030	
1770	0.2	2.70	630	1040	
1696	0.3	2.62	610	1050	
1611	0.4	2.53	590	1060	
1510	0.5	2.44	560	1070	
1418	0.6	2.36	540	1085	

STANDARD DIRECT DRIVE — DOWN SHOT

CFM	STATIC	AMPS	WATTS	RPM	SPEED TAP
1548	0.1	2.03	480	930	Low
1500	0.2	2.00	470	945	
1425	0.3	1.89	450	970	
1353	0.4	1.83	430	995	
1273	0.5	1.75	415	1020	
1660	0.1	2.31	540	1020	
1625	0.2	2.25	530	1035	Med
1565	0.3	2.19	515	1040	
1485	0.4	2.12	505	1050	
1405	0.5	2.12	500	1055	
1285	0.6	1.98	465	1060	
1200	0.7	1.93	440	1070	
1825	0.1	2.65	620	1045	High
1745	0.2	2.55	600	1060	
1670	0.3	2.53	590	1065	
1585	0.4	2.46	575	1070	
1480	0.5	2.37	550	1080	
1405	0.6	2.31	535	1090	

NOTES

- Assumes dry coil with filter in place; SCFM correction for wet coil = 4%
- Five-ton models are shipped from the factory with speed tap set on T4.

STANDARD BELT DRIVE — DOWN SHOT

ESP (" W.C.)	TURNS OPEN											
	0		1		2		3		4		5	
	CFM	BHP	CFM	BHP	CFM	BHP	CFM	BHP	CFM	BHP	CFM	BHP
0.1	---	---	---	---	---	---	---	---	1721	0.42	1588	0.34
0.2	---	---	---	---	---	---	1756	0.47	1582	0.39	1449	0.33
0.3	---	---	---	---	1736	0.52	1604	0.44	1437	0.37	1282	0.31
0.4	---	---	1765	0.54	1601	0.49	1452	0.41	1286	0.34	1109	0.28
0.5	1802	0.53	1653	0.51	1458	0.46	1306	0.38	1114	0.32	---	---
0.6	1701	0.56	1525	0.48	1314	0.43	1152	0.36	---	---	---	---
0.7	1593	0.54	1406	0.46	1160	0.40	956	0.33	---	---	---	---
0.8	1446	0.51	1247	0.43	982	0.36	---	---	---	---	---	---
0.9	1317	0.48	1072	0.39	---	---	---	---	---	---	---	---
1.0	1145	0.44	---	---	---	---	---	---	---	---	---	---

HIGH STATIC BELT DRIVE — DOWN SHOT

ESP (" W.C.)	TURNS OPEN											
	0		1		2		3		4		5	
	CFM	BHP	CFM	BHP	CFM	BHP	CFM	BHP	CFM	BHP	CFM	BHP
0.6	---	---	---	---	---	---	---	---	---	---	1634	0.52
0.7	---	---	---	---	---	---	---	---	1705	0.59	1520	0.49
0.8	---	---	---	---	---	---	1753	0.64	1576	0.56	1378	0.47
0.9	---	---	---	---	---	---	1644	0.61	1447	0.52	1237	0.43
1.0	---	---	---	---	1727	0.69	1535	0.58	1294	0.49	1070	0.40
1.1	---	---	---	---	1605	0.66	1392	0.54	1144	0.45	---	---
1.2	---	---	1745	0.76	1483	0.62	1232	0.50	974	0.42	---	---
1.3	1783	0.87	1586	0.71	1331	0.58	1068	0.46	---	---	---	---
1.4	1658	0.83	1427	0.66	1177	0.53	---	---	---	---	---	---
1.5	1533	0.78	1296	0.62	1019	0.50	---	---	---	---	---	---
1.6	1387	0.73	1123	0.57	---	---	---	---	---	---	---	---
1.7	1236	0.68	---	---	---	---	---	---	---	---	---	---
1.8	1096	0.65	---	---	---	---	---	---	---	---	---	---

STANDARD BELT DRIVE — HORIZONTAL

ESP (" W.C.)	TURNS OPEN											
	0		1		2		3		4		5	
	CFM	BHP	CFM	BHP	CFM	BHP	CFM	BHP	CFM	BHP	CFM	BHP
0.1	---	---	---	---	---	---	---	---	---	---	1726	0.37
0.2	---	---	---	---	---	---	---	---	1720	0.43	1575	0.36
0.3	---	---	---	---	1888	0.57	1744	0.48	1562	0.41	1398	0.34
0.4	---	---	---	---	1740	0.54	1579	0.45	1398	0.38	1217	0.31
0.5	---	---	1797	0.56	1586	0.51	1420	0.42	1216	0.36	1004	0.28
0.6	1849	0.62	1658	0.53	1429	0.48	1252	0.40	997	0.32	---	---
0.7	1731	0.59	1528	0.51	1266	0.45	1039	0.36	---	---	---	---
0.8	1572	0.55	1355	0.47	1068	0.41	---	---	---	---	---	---
0.9	1431	0.52	1171	0.43	---	---	---	---	---	---	---	---
1.0	1245	0.48	987	0.39	---	---	---	---	---	---	---	---
1.1	1059	0.44	---	---	---	---	---	---	---	---	---	---

HIGH-STATIC BELT DRIVE — HORIZONTAL

ESP (" W.C.)	TURNS OPEN											
	0		1		2		3		4		5	
	CFM	BHP	CFM	BHP	CFM	BHP	CFM	BHP	CFM	BHP	CFM	BHP
0.6	---	---	---	---	---	---	---	---	---	---	1776	0.57
0.7	---	---	---	---	---	---	---	---	---	---	1652	0.54
0.8	---	---	---	---	---	---	---	---	1713	0.61	1498	0.51
0.9	---	---	---	---	---	---	1787	0.67	1573	0.57	1345	0.47
1.0	---	---	---	---	---	---	1668	0.63	1407	0.53	1163	0.44
1.1	---	---	---	---	1745	0.71	1513	0.59	1243	0.49	960	0.40
1.2	---	---	---	---	1612	0.68	1339	0.54	1059	0.46	---	---
1.3	---	---	1724	0.78	1447	0.63	1161	0.50	---	---	---	---
1.4	1802	0.90	1551	0.72	1279	0.58	---	---	---	---	---	---
1.5	1667	0.85	1409	0.67	1108	0.54	---	---	---	---	---	---
1.6	1508	0.80	1221	0.62	---	---	---	---	---	---	---	---
1.7	1343	0.74	1005	0.56	---	---	---	---	---	---	---	---
1.8	1191	0.70	---	---	---	---	---	---	---	---	---	---

STANDARD DIRECT DRIVE MOTOR — HORIZONTAL

CFM	STATIC	AMPS	WATTS	RPM	SPEED TAP
1225	0.1	1.4	175	605	T1
1170	0.2	1.46	180	645	
1085	0.3	1.54	180	690	
1015	0.4	1.62	185	735	
880	0.5	1.74	190	790	
835	0.6	1.77	210	815	
1425	0.1	1.80	230	670	T2
1330	0.2	1.96	240	705	
1260	0.3	2.00	250	735	
1210	0.4	2.10	260	770	
1135	0.5	2.16	265	810	
1040	0.6	2.28	280	860	
1000	0.7	2.38	290	885	
940	0.8	2.46	300	925	
870	0.9	2.52	310	955	
1840	0.1	3.30	425	810	T3
1800	0.2	3.37	435	830	
1740	0.3	3.45	450	865	
1690	0.4	3.52	465	890	
1635	0.5	3.58	475	920	
1535	0.6	3.64	490	945	
1505	0.7	3.70	500	970	
150	0.8	3.80	510	995	
1405	0.9	3.81	530	1035	
2005	0.1	4.30	575	880	T4
1965	0.2	4.41	590	900	
1895	0.3	4.52	610	930	
1835	0.4	4.63	620	955	
1790	0.5	4.75	635	980	
1745	0.6	4.84	650	1005	
1695	0.7	4.91	660	1030	
1650	0.8	5.03	675	1055	
1600	0.9	5.10	675	1080	
2120	0.1	5.10	690	930	T5
2075	0.2	5.15	710	950	
2025	0.3	5.23	720	975	
1975	0.4	5.35	735	995	
1930	0.5	5.46	750	1020	
1875	0.6	5.59	770	1040	
1835	0.7	5.64	780	1065	
1795	0.8	5.73	790	1090	
1735	0.9	5.82	805	1110	

STANDARD DIRECT DRIVE MOTOR — DOWN SHOT

CFM	STATIC	AMPS	WATTS	RPM	SPEED TAP
1205	0.1	1.47	180	635	T1
1150	0.2	1.54	185	675	
1065	0.3	1.59	185	730	
980	0.4	1.68	195	760	
860	0.5	1.79	200	810	
800	0.6	1.82	220	840	
1375	0.1	1.94	235	690	T2
1300	0.2	2.01	245	720	
1230	0.3	2.05	255	750	
1180	0.4	2.15	265	790	
1100	0.5	2.22	275	830	
1005	0.6	2.33	285	890	
970	0.7	2.43	295	900	
915	0.8	2.51	310	940	
845	0.9	2.57	315	980	
1790	0.1	3.37	573	948	T3
1745	0.2	3.40	580	965	
1700	0.3	3.49	595	985	
1650	0.4	3.56	606	1007	
1580	0.5	3.63	616	1035	
1515	0.6	3.71	626	1059	
1480	0.7	3.75	648	1079	
1420	0.8	3.84	648	1100	
1375	0.9	3.85	652	1117	
1920	0.1	4.48	650	976	T4
1910	0.2	4.57	620	940	
1850	0.3	4.66	635	965	
1795	0.4	4.78	655	990	
1760	0.5	4.84	670	1020	
1710	0.6	4.96	685	1045	
1640	0.7	5.06	675	1065	
1610	0.8	5.19	690	1090	
1560	0.9	5.22	700	1125	
2090	0.1	5.35	720	970	T5
2040	0.2	5.38	740	990	
1985	0.3	5.70	755	1025	
1935	0.4	5.44	760	1035	
1900	0.5	5.82	780	1050	
1855	0.6	5.73	800	1075	
1810	0.7	5.69	810	1090	
1750	0.8	5.82	825	1120	
1680	0.9	6.13	790	1128	

NOTES

- Assumes dry coil with filter in place; SCFM correction for wet coil = 4%
- Five-ton models are shipped from the factory with speed tap set on T4.

STANDARD BELT DRIVE — DOWN SHOT

ESP (" W.C.)	TURNS OPEN											
	0		1		2		3		4		5	
	CFM	BHP	CFM	BHP	CFM	BHP	CFM	BHP	CFM	BHP	CFM	BHP
0.1	---	---	---	---	---	---	2115	0.56	1961	0.50	1816	0.41
0.2	---	---	---	---	2153	0.67	2002	0.53	1855	0.47	1703	0.39
0.3	---	---	---	---	2047	0.63	1885	0.52	1751	0.44	1597	0.36
0.4	---	---	2142	0.71	1941	0.59	1790	0.50	1633	0.42	1466	0.33
0.5	2170	0.67	2030	0.68	1834	0.55	1681	0.45	1514	0.39	1314	0.30
0.6	2062	0.69	1909	0.65	1716	0.51	1550	0.43	1367	0.37	---	---
0.7	1951	0.72	1788	0.62	1595	0.47	1425	0.39	1212	0.35	---	---
0.8	1840	0.70	1687	0.59	1465	0.43	1278	0.36	---	---	---	---
0.9	1728	0.65	1558	0.54	1330	0.39	---	---	---	---	---	---
1.0	1622	0.63	1432	0.50	1192	0.37	---	---	---	---	---	---
1.1	1491	0.60	1288	0.46	---	---	---	---	---	---	---	---
1.2	1325	0.57	---	---	---	---	---	---	---	---	---	---

HIGH-STATIC BELT DRIVE — DOWN SHOT

ESP (" W.C.)	TURNS OPEN											
	0		1		2		3		4		5	
	CFM	BHP	CFM	BHP	CFM	BHP	CFM	BHP	CFM	BHP	CFM	BHP
0.6	---	---	---	---	---	---	---	---	2021	0.87	1854	0.72
0.7	---	---	---	---	---	---	2138	0.91	1928	0.83	1760	0.69
0.8	---	---	---	---	---	---	2017	0.87	1813	0.80	1623	0.66
0.9	---	---	---	---	2110	0.97	1897	0.83	1690	0.78	1486	0.62
1.0	---	---	2145	1.07	1994	0.93	1786	0.79	1569	0.72	1361	0.59
1.1	---	---	2047	1.03	1886	0.90	1684	0.76	1446	0.67	1233	0.55
1.2	2156	1.16	1949	1.00	1778	0.86	1552	0.71	1305	0.63	---	---
1.3	2050	1.12	1851	0.97	1661	0.81	1441	0.68	---	---	---	---
1.4	1944	1.09	1748	0.93	1534	0.77	1298	0.64	---	---	---	---
1.5	1845	1.06	1627	0.88	1413	0.72	---	---	---	---	---	---
1.6	1742	1.01	1527	0.83	1299	0.68	---	---	---	---	---	---
1.7	1649	0.97	1400	0.79	---	---	---	---	---	---	---	---
1.8	1526	0.93	1274	0.75	---	---	---	---	---	---	---	---

STANDARD BELT DRIVE — HORIZONTAL

ESP (" W.C.)	TURNS OPEN											
	0		1		2		3		4		5	
	CFM	BHP	CFM	BHP	CFM	BHP	CFM	BHP	CFM	BHP	CFM	BHP
0.1	---	---	---	---	---	---	---	---	2203	0.57	2041	0.47
0.2	---	---	---	---	---	---	2248	0.61	2084	0.54	1914	0.45
0.3	---	---	---	---	---	---	2118	0.60	1967	0.51	1794	0.42
0.4	---	---	---	---	2180	0.68	2011	0.58	1835	0.49	1647	0.39
0.5	---	---	---	---	2061	0.64	1889	0.53	1701	0.45	1477	0.36
0.6	---	---	2145	0.73	1928	0.62	1742	0.51	1536	0.43	1308	0.34
0.7	2192	0.83	2009	0.70	1792	0.58	1601	0.47	1362	0.40	---	---
0.8	2067	0.80	1895	0.67	1646	0.54	1436	0.44	1188	0.36	---	---
0.9	1941	0.75	1750	0.62	1495	0.50	1271	0.40	---	---	---	---
1.0	1823	0.73	1609	0.58	1339	0.48	---	---	---	---	---	---
1.1	1675	0.69	1448	0.54	1183	0.45	---	---	---	---	---	---
1.2	1487	0.65	1268	0.50	---	---	---	---	---	---	---	---

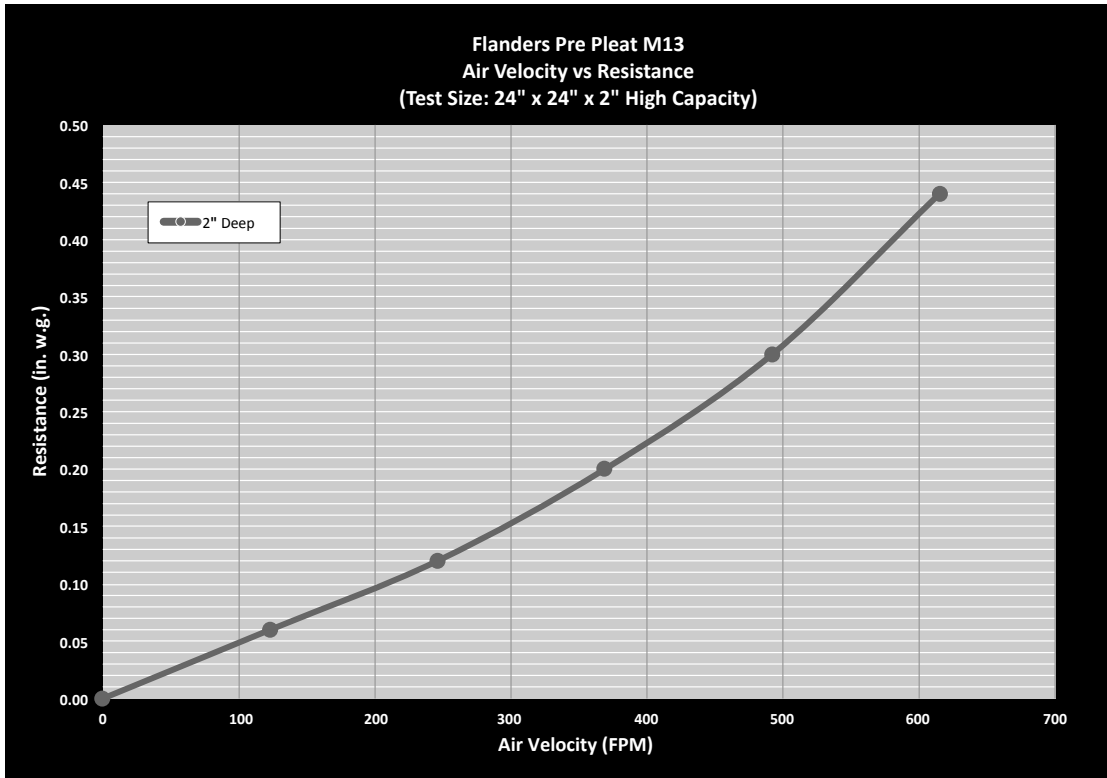
HIGH-STATIC BELT DRIVE — HORIZONTAL

ESP (" W.C.)	TURNS OPEN											
	0		1		2		3		4		5	
	CFM	BHP	CFM	BHP	CFM	BHP	CFM	BHP	CFM	BHP	CFM	BHP
0.6	---	---	---	---	---	---	---	---	2246	0.97	2060	0.80
0.7	---	---	---	---	---	---	---	---	2142	0.93	1956	0.77
0.8	---	---	---	---	---	---	2241	0.97	2014	0.89	1803	0.74
0.9	---	---	---	---	---	---	2108	0.92	1878	0.86	1651	0.69
1.0	---	---	---	---	---	---	1984	0.88	1743	0.80	1512	0.65
1.1	---	---	---	---	2096	1.00	1871	0.84	1607	0.74	1370	0.62
1.2	---	---	2166	1.11	1976	0.96	1724	0.79	1450	0.69	1201	0.57
1.3	---	---	2057	1.07	1845	0.90	1601	0.75	1301	0.65	---	---
1.4	2160	1.21	1942	1.03	1705	0.85	1443	0.71	---	---	---	---
1.5	2050	1.18	1808	0.98	1570	0.80	1285	0.66	---	---	---	---
1.6	1935	1.13	1697	0.92	1443	0.76	---	---	---	---	---	---
1.7	1832	1.08	1556	0.88	1273	0.70	---	---	---	---	---	---
1.8	1696	1.03	1415	0.83	---	---	---	---	---	---	---	---

AIR FLOW PRESSURE DROP OF DOWN FLOW ECONOMIZER

AIRFLOW PRESSURE DROP OF DOWNFLOW ECONOMIZER FOR 3 TO 6 TON ROFTOP UNITS (100% RETURN AIR)												
SCF, in WG	800	1000	1200	1400	1600	1800	2000	2200	2400	2600	2800	
	0.02	0.04	0.05	0.07	0.09	0.12	0.14	0.17	0.21	0.24	0.28	

HIGH EFFICIENCY MERV 13 AIR FILTER OPTION



TONNAGE:	FILTER NOMINAL SIZE:	PART NUMBER:	ORDER QTY:
3	24 x 24 x 2	0160L00203	1
4	14 x 20 x 2	0160L00204	4
5, 6, 7.5	16 x 20 x 2	0160L00205	4
7.5(HP), 8.5, 10	16 X 24 X 2	0160L00206	4
12.5	20 x 25 x 2	0160L00202	4
15, 20	20 x 25 x 2	0160L00202	6
25	20 X 20 X 2	0160L00201	8

CRANKCASE HEATER SELECTION TABLE

ZP/ZPS...	COMPRESSOR DIAMETER	COMPRESSOR VOLTAGE			CRANKCASE HEATER WATTS
		230V	460V	575V	
16-31	5.5"	0163R00002S	0163R00031S	0163R00032S	40
39-83	6.58/7.3"	0130L00017S	0130L00018S	0130L00019S	70
103-137	9.14"	0130L00020S	0130L00021S	0130L00022S	90

DC*,DT* & DS* TONNAGE	COMPRESSOR VOLTAGE			CRANKCASE HEATER WATTS
	230V	460V	575V	
3 Ton	0163R00002S	0163R00031S	0163R00032S	40
4 Ton-12.5 Ton	0130L00017S	0130L00018S	0130L00019S	70
15-20 Ton**	0130L00017S	0130L00018S	0130L00019S	70
25 Ton	0130L00020S	0130L00021S	0130L00022S	90

*Includes C,G&H models.

**If Compressor Diameter is 9.14" then use 25 Ton Crankcase heaters.

DSH036*

	OUTDOOR AMBIENT TEMPERATURE																	
	65	60	55	50	47	45	40	35	30	25	20	17	15	10	5	0	-5	-10
MBh	46.3	43.8	41.2	38.6	36.8	35.7	33.1	30.6	24.8	22.9	21.1	19.9	19.2	17.2	15.3	13.3	11.4	9.3
T/R	36	34	32	30	28	28	26	24	19	18	16	15	15	13	12	10	9	7
kW	3.25	3.18	3.11	3.04	2.97	2.90	2.83	2.76	2.69	2.62	2.55	2.48	2.41	2.34	2.27	2.20	2.12	2.05
COP	4.17	4.04	3.89	3.72	3.63	3.61	3.44	3.25	2.71	2.57	2.43	2.36	2.34	2.16	1.97	1.78	1.57	1.33
EER	14.2	13.8	13.3	12.7	12.4	12.3	11.7	11.1	9.2	8.8	8.3	8.0	8.0	7.4	6.7	6.1	5.3	4.5
HI PR	421	403	388	371	362	355	342	328	314	300	288	281	276	265	255	245	236	228
LO PR	143	133	124	114	108	104	95	85	77	68	60	56	54	46	39	33	29	23

DSH048*

	OUTDOOR AMBIENT TEMPERATURE																	
	65	60	55	50	47	45	40	35	30	25	20	17	15	10	5	0	-5	-10
MBh	57.6	54.5	51.3	48.0	45.8	44.4	41.2	38.0	31.4	29.0	26.7	25.2	24.3	21.8	19.3	16.9	14.4	11.8
T/R	33	32	30	28	27	26	24	22	18	17	15	15	14	13	11	10	8	7
kW	3.96	3.88	3.80	3.72	3.64	3.56	3.48	3.40	3.32	3.24	3.16	3.08	3.00	2.92	2.84	2.76	2.68	2.60
COP	4.26	4.12	3.96	3.78	3.68	3.65	3.47	3.28	2.77	2.62	2.48	2.40	2.37	2.19	1.99	1.79	1.57	1.33
EER	14.5	14.1	13.5	12.9	12.6	12.5	11.8	11.2	9.5	9.0	8.5	8.2	8.1	7.5	6.8	6.1	5.4	4.5
HI PR	412	395	380	363	355	348	335	321	308	294	282	275	270	260	250	240	231	223
LO PR	137	127	119	110	104	100	92	82	74	66	58	54	52	44	38	32	28	22

DSH060*

	OUTDOOR AMBIENT TEMPERATURE																	
	65	60	55	50	47	45	40	35	30	25	20	17	15	10	5	0	-5	-10
MBh	72.3	68.4	64.4	60.2	57.5	55.7	51.7	47.7	41.7	38.4	35.4	33.4	32.2	28.9	25.6	22.3	19.1	15.6
T/R	33	32	30	28	27	26	24	22	19	18	16	15	15	13	12	10	9	7
kW	4.74	4.66	4.59	4.52	4.45	4.38	4.31	4.24	4.16	4.09	4.02	3.95	3.88	3.81	3.74	3.66	3.59	3.52
COP	4.47	4.30	4.11	3.90	3.78	3.73	3.52	3.30	2.93	2.75	2.58	2.48	2.43	2.22	2.01	1.79	1.55	1.30
EER	15.3	14.7	14.0	13.3	12.9	12.7	12.0	11.3	10.0	9.4	8.8	8.5	8.3	7.6	6.9	6.1	5.3	4.4
HI PR	384	368	354	339	331	324	312	299	287	274	263	257	252	242	233	224	216	208
LO PR	131	122	114	105	99	95	88	78	70	63	55	51	49	42	36	30	27	21

Above information is for 70° indoor dry bulb; instantaneous capacity listed.

kW = Total system power

High pressure measured at liquid line access fitting.

Amps: Unit Amps (comp+evap motor+condenser fan motor)

Low pressure measured at compressor suction access fitting.

MODEL NUMBER	ELECTRICAL RATING	COMPRESSOR CIRCUIT 1		COMPRESSOR CIRCUIT 2		OUTDOOR FAN MOTOR			INDOOR FAN MOTOR			OPTIONAL ELECTRIC HEAT			OPTIONAL POWERED CONVENIENCE OUTLET	POWER SUPPLY	
		RLA	LRA	RLA	LRA	QTY	HP	FLA	TYPE	HP	FLA	PART #	KW*	FLA	FLA	MCA	MOP
DSH036XXX1D	208/230-1-60	16.7	79.0			1	0.25	1.40	Standard - Direct Drive	0.33	2.46	-	-	-	-	24.7 / 24.7	40 / 40
												EHK1-10	7.5 / 10.0	36.1 / 41.7	-	69.8 / 76.8	70 / 80
												EHK1-15	11.3 / 15.0	54.2 / 62.5	-	92.4 / 103	100 / 110
												-	-	-	7.2 / 6.5	31.9 / 31.2	45 / 45
												EHK1-10	7.5 / 10.0	36.1 / 41.7	7.2 / 6.5	77.0 / 83.3	80 / 90
												EHK1-15	11.3 / 15.0	54.2 / 62.5	7.2 / 6.5	99.6 / 109	100 / 110
DSH036XXX3B	208/230-3-60	10.4	73.0			1	0.25	1.40	Standard - Direct Drive	1.00	3.40	-	-	-	-	16.9 / 16.9	25 / 25
												EHK3-10	7.5 / 10.0	20.8 / 24.0	-	42.9 / 46.9	45 / 50
												EHK3-15	11.3 / 15.0	31.3 / 36.1	-	56.0 / 62.0	60 / 70
												-	-	-	7.2 / 6.5	24.1 / 23.4	30 / 30
												EHK3-10	7.5 / 10.0	20.8 / 24.0	7.2 / 6.5	50.1 / 53.4	60 / 60
												EHK3-15	11.3 / 15.0	31.3 / 36.1	7.2 / 6.5	63.2 / 68.5	70 / 70
DSH036XXX3D	208/230-3-60	10.4	73.0			1	0.25	1.40	Standard - Belt Drive	0.33	2.46	-	-	-	-	17.9 / 17.9	25 / 25
												EHK3-10	7.5 / 10.0	20.8 / 24.0	-	43.9 / 47.9	45 / 50
												EHK3-15	11.3 / 15.0	31.3 / 36.1	-	57.0 / 63.0	60 / 70
												-	-	-	7.2 / 6.5	25.1 / 24.4	35 / 30
												EHK3-10	7.5 / 10.0	20.8 / 24.0	7.2 / 6.5	51.1 / 54.4	60 / 60
												EHK3-15	11.3 / 15.0	31.3 / 36.1	7.2 / 6.5	64.2 / 69.5	70 / 70
DSH036XXX3H	208/230-3-60	10.4	73.0			1	0.25	1.40	High Static - Belt Drive	1.50	4.60	-	-	-	-	19.1 / 19.1	25 / 25
												EHK4-10	7.5 / 10.0	20.8 / 24.0	-	45.1 / 49.1	50 / 50
												EHK4-15	11.3 / 15.0	31.3 / 36.1	-	58.2 / 64.2	60 / 70
												-	-	-	7.2 / 6.5	26.3 / 25.6	35 / 35
												EHK4-10	7.5 / 10.0	20.8 / 24.0	7.2 / 6.5	52.3 / 55.6	60 / 60
												EHK4-15	11.3 / 15.0	31.3 / 36.1	7.2 / 6.5	65.4 / 70.7	70 / 80
DSH036XXX4B	460-3-60	5.8	38.0			1	0.25	0.70	Standard - Belt Drive	1.00	1.70	-	-	-	-	9.6	15
												EHK4-10	10.0	12.0	-	24.6	25
												EHK4-15	15.0	18.0	-	32.1	35
												-	-	-	3.3	12.9	15
												EHK4-10	10.0	12.0	3.3	27.9	30
												EHK4-15	15.0	18.0	3.3	35.4	40
DSH036XXX4H	460-3-60	5.8	38.0			1	0.25	0.70	High Static - Belt Drive	1.50	2.10	-	-	-	-	10.0	15
												EHK4-10	10.0	12.0	-	25.0	25
												EHK4-15	15.0	18.0	-	32.5	35
												-	-	-	3.3	13.3	15
												EHK4-10	10.0	12.0	3.3	28.3	30
												EHK4-15	15.0	18.0	3.3	35.8	40
DSH036XXX7B	575-3-60	3.8	36.5			1	0.25	0.55	Standard & High Static - Belt Drive	1.50	2.30	-	-	-	-	7.6	15
												EHK7-10	10.0	10.0	-	20.1	25
												EHK7-15	15.0	15.1	-	26.5	30
												-	-	-	2.6	10.2	15
												EHK7-10	10.0	10.0	2.6	22.7	25
												EHK7-15	15.0	15.1	2.6	29.1	30

* Electric Heater kW rating: Rated at 240v for 208-230v units; 480v for 460v units

MODEL AND HEAT KIT USAGE	RECOMMENDED AIRFLOW RANGE
DSH036***1D***	---
EHK1-10	1250-1350 CFM
EHK1-15	1400-1440 CFM
DSH036***3D***	---
EHK3-10	1250-1350 CFM
EHK3-15	1400-1440 CFM
DSH036***3B***	---
EHK3-10	1250-1350 CFM
EHK3-15	1400-1440 CFM

MODEL AND HEAT KIT USAGE	RECOMMENDED AIRFLOW RANGE
DSH036***4B***	---
EHK4-10	1250-1350 CFM
EHK4-15	1400-1440 CFM

MODEL AND HEAT KIT USAGE	RECOMMENDED AIRFLOW RANGE
DSH036***7B***	---
EHK7-10	1400-1475 CFM
EHK7-15	1575-1650 CFM

KW CORRECTION FACTORS

kW CORRECTION FACTOR FOR 1- & 3-PHASE UNITS					
SUPPLY VOLTAGE	240	230	220	210	208
CORRECTION FACTOR	1	0.92	0.84	0.77	0.75

kW CORRECTION FACTOR FOR 480V UNITS			
ACTUAL VOLTAGE	460	440	430
CORRECTION FACTOR	0.92	0.84	0.8

For other voltage use $\text{voltage}^2 / 480^2$

kW CORRECTION FACTOR FOR 575V UNITS			
SUPPLY VOLTAGE	560	550	540
CORRECTION FACTOR	0.95	0.91	0.88

Multiply rated kW by correction factor to get actual kW

MODEL NUMBER	ELECTRICAL RATING	COMPRESSOR CIRCUIT 1		COMPRESSOR CIRCUIT 2		OUTDOOR FAN MOTOR			INDOOR FAN MOTOR			OPTIONAL ELECTRIC HEAT			OPTIONAL POWERED CONVENIENCE OUTLET	POWER SUPPLY	
		RLA	LRA	RLA	LRA	QTY	HP	FLA	TYPE	HP	FLA	PART #	KW*	FLA	FLA	MCA	MOP
DSH048XXX1D	208/230-1-60	19.9	109.0			1	0.25	1.40	Standard - Direct Drive	0.50	2.87	-	-	-	-	29.1 / 29.1	45 / 45
												EHK1-10	7.5 / 10.0	36.1 / 41.7	-	74.2 / 81.2	80 / 90
												EHK1-15	11.3 / 15.0	54.2 / 62.5	-	96.9 / 107	100 / 110
												EHK1-18	13.5 / 18.0	65.0 / 75.0	-	110 / 123	110 / 125
												-	-	-	7.2 / 6.5	36.3 / 35.6	50 / 50
												EHK1-10	7.5 / 10.0	36.1 / 41.7	7.2 / 6.5	81.4 / 87.7	90 / 90
												EHK1-15	11.3 / 15.0	54.2 / 62.5	7.2 / 6.5	104 / 114	110 / 125
EHK1-18	13.5 / 18.0	65.0 / 75.0	7.2 / 6.5	118 / 129	125 / 150												
DSH048XXX3D	208/230-3-60	13.1	83.1			1	0.25	1.40	Standard - Direct Drive	0.75	2.80	-	-	-	-	20.6 / 20.6	30 / 30
												EHK3-10	7.5 / 10.0	20.8 / 24.0	-	46.6 / 50.6	50 / 60
												EHK3-15	11.3 / 15.0	31.3 / 36.1	-	59.8 / 65.8	60 / 70
												EHK3-18	13.5 / 18.0	37.5 / 43.3	-	67.5 / 74.8	70 / 80
												-	-	-	7.2 / 6.5	27.8 / 27.1	40 / 40
												EHK3-10	7.5 / 10.0	20.8 / 24.0	7.2 / 6.5	53.8 / 57.1	60 / 60
												EHK3-15	11.3 / 15.0	31.3 / 36.1	7.2 / 6.5	67.0 / 72.3	70 / 80
EHK3-18	13.5 / 18.0	37.5 / 43.3	7.2 / 6.5	74.7 / 81.3	80 / 90												
DSH048XXX3B	208/230-3-60	13.1	83.1			1	0.25	1.40	Standard - Belt Drive	1.00	3.40	-	-	-	-	21.2 / 21.2	30 / 30
												EHK3-10	7.5 / 10.0	20.8 / 24.0	-	47.2 / 51.2	50 / 60
												EHK3-15	11.3 / 15.0	31.3 / 36.1	-	60.4 / 66.4	70 / 70
												EHK3-18	13.5 / 18.0	37.5 / 43.3	-	68.1 / 75.4	70 / 80
												-	-	-	7.2 / 6.5	28.4 / 27.7	40 / 40
												EHK3-10	7.5 / 10.0	20.8 / 24.0	7.2 / 6.5	54.4 / 57.7	60 / 60
												EHK3-15	11.3 / 15.0	31.3 / 36.1	7.2 / 6.5	67.6 / 72.9	70 / 80
EHK3-18	13.5 / 18.0	37.5 / 43.3	7.2 / 6.5	75.3 / 81.9	80 / 90												
DSH048XXX3H	208/230-3-60	13.1	83.1			1	0.25	1.40	High Static - Belt Drive	1.50	4.60	-	-	-	-	22.4 / 22.4	35 / 35
												EHK3-10	7.5 / 10.0	20.8 / 24.0	-	48.4 / 52.4	50 / 60
												EHK3-15	11.3 / 15.0	31.3 / 36.1	-	61.6 / 67.6	70 / 70
												EHK3-18	13.5 / 18.0	37.5 / 43.3	-	69.3 / 76.6	70 / 80
												-	-	-	7.2 / 6.5	29.6 / 28.9	40 / 40
												EHK3-10	7.5 / 10.0	20.8 / 24.0	7.2 / 6.5	55.6 / 58.9	60 / 60
												EHK3-15	11.3 / 15.0	31.3 / 36.1	7.2 / 6.5	68.8 / 74.1	70 / 80
EHK3-18	13.5 / 18.0	37.5 / 43.3	7.2 / 6.5	76.5 / 83.1	80 / 90												
DSH048XXX4B	460-3-60	6.1	41.0			1	0.25	0.70	Standard - Belt Drive	1.00	1.70	-	-	-	-	10.0	15
												EHK4-10	10.0	12.0	-	25.0	25
												EHK4-15	15.0	18.0	-	32.5	35
												EHK4-18	18.0	21.7	-	37.1	40
												-	-	-	3.3	13.3	15
												EHK4-10	10.0	12.0	3.3	28.3	30
												EHK4-15	15.0	18.0	3.3	35.8	40
EHK4-18	18.0	21.7	3.3	40.4	45												
DSH048XXX4H	460-3-60	6.1	41.0			1	0.25	0.70	High Static - Belt Drive	1.50	2.10	-	-	-	-	10.4	15
												EHK4-10	10.0	12.0	-	25.4	30
												EHK4-15	15.0	18.0	-	32.9	35
												EHK4-18	18.0	21.7	-	37.5	40
												-	-	-	3.3	13.7	15
												EHK4-10	10.0	12.0	3.3	28.7	30
												EHK4-15	15.0	18.0	3.3	36.2	40
EHK4-18	18.0	21.7	3.3	40.8	45												
DSH048XXX7B	575-3-60	4.4	33.0			1	0.25	0.55	Standard & High Static - Belt Drive	1.50	2.30	-	-	-	-	8.3	15
												EHK7-10	10.0	10.0	-	20.8	25
												EHK7-15	15.0	15.1	-	27.2	30
												EHK7-18	18.0	18.1	-	30.9	35
												-	-	-	2.6	10.9	15
												EHK7-10	10.0	10.0	2.6	23.4	25
												EHK7-15	15.0	15.1	2.6	29.8	30
EHK7-18	18.0	18.1	2.6	33.5	35												

* Electric Heater kW rating: Rated at 240v for 208-230v units; 480v for 460v units

MODEL AND HEAT KIT USAGE	RECOMMENDED AIRFLOW RANGE
DSH048***1D***	---
EHK1-10	1400-1800 CFM
EHK1-15	1575-1800 CFM
EHK1-18	1575-1800 CFM
DSH048***3D***	---
EHK3-10	1400-1800 CFM
EHK3-15	1575-1800 CFM
EHK3-18	1575-1800 CFM
DSH048***3B***	---
EHK3-10	1400-1800 CFM
EHK3-15	1575-1800 CFM
EHK3-18	1575-1800 CFM

MODEL AND HEAT KIT USAGE	RECOMMENDED AIRFLOW RANGE
DSH048***4B***	---
EHK4-10	1400-1800 CFM
EHK4-15	1575-1800 CFM
EHK4-18	1575-1800 CFM

MODEL AND HEAT KIT USAGE	RECOMMENDED AIRFLOW RANGE
DSH048***7B***	---
EHK7-10	1400-1800 CFM
EHK7-15	1575-1800 CFM
EHK7-18	1575-1800 CFM

kW CORRECTION FACTORS

kW CORRECTION FACTOR FOR 1- & 3-PHASE UNITS					
SUPPLY VOLTAGE	240	230	220	210	208
CORRECTION FACTOR	1	0.92	0.84	0.77	0.75

kW CORRECTION FACTOR FOR 480V UNITS			
ACTUAL VOLTAGE	460	440	430
CORRECTION FACTOR	0.92	0.84	0.8

For other voltage use $\text{voltage}^2 / 480^2$

kW CORRECTION FACTOR FOR 575V UNITS			
SUPPLY VOLTAGE	560	550	540
CORRECTION FACTOR	0.95	0.91	0.88

Multiply rated kW by correction factor to get actual kW

MODEL NUMBER	ELECTRICAL RATING	COMPRESSOR CIRCUIT 1		COMPRESSOR CIRCUIT 2		OUTDOOR FAN MOTOR			INDOOR FAN MOTOR			OPTIONAL ELECTRIC HEAT			OPTIONAL POWERED CONVENIENCE OUTLET	POWER SUPPLY	
		RLA	LRA	RLA	LRA	QTY	HP	FLA	TYPE	HP	FLA	PART #	KW*	FLA	FLA	MCA	MOP
DSH060XXX1D	208/230-1-60	25.0	134.0			1	0.33	2.00	Standard - Direct Drive	1.00	6.90	-	-	-	-	40.2 / 40.2	60 / 60
												EHK1-10	7.5 / 10.0	36.1 / 41.7	-	85.3 / 92.3	90 / 100
												EHK1-15	11.3 / 15.0	54.2 / 62.5	-	108 / 118	110 / 125
												EHK1-20	15.0 / 20.0	72.2 / 83.3	-	130 / 144	150 / 150
												-	-	-	7.2 / 6.5	47.4 / 46.7	70 / 70
												EHK1-10	7.5 / 10.0	36.1 / 41.7	7.2 / 6.5	92.5 / 98.8	100 / 100
												EHK1-15	11.3 / 15.0	54.2 / 62.5	7.2 / 6.5	115 / 125	125 / 125
EHK1-20	15.0 / 20.0	72.2 / 83.3	7.2 / 6.5	138 / 151	150 / 175												
DSH060XXX3D	208/230-3-60	15.9	110.0			1	0.33	2.30	Standard - Direct Drive	1.00	6.90	-	-	-	-	29.1 / 29.1	45 / 45
												EHK3-10	7.5 / 10.0	20.8 / 24.0	-	55.1 / 59.1	60 / 60
												EHK3-15	11.3 / 15.0	31.3 / 36.1	-	68.2 / 74.2	70 / 80
												EHK3-20	15.0 / 20.0	41.6 / 48.0	-	81.1 / 89.1	90 / 90
												-	-	-	7.2 / 6.5	36.3 / 35.6	50 / 50
												EHK3-10	7.5 / 10.0	20.8 / 24.0	7.2 / 6.5	62.3 / 65.6	70 / 70
												EHK3-15	11.3 / 15.0	31.3 / 36.1	7.2 / 6.5	75.4 / 80.7	80 / 90
EHK3-20	15.0 / 20.0	41.6 / 48.0	7.2 / 6.5	88.3 / 95.6	90 / 100												
DSH060XXX3B	208/230-3-60	16.0	110.0			1	0.33	2.30	Standard - Belt Drive	1.00	3.20	-	-	-	-	25.5 / 25.5	40 / 40
												EHK3-10	7.5 / 10.0	20.8 / 24.0	-	51.5 / 55.5	60 / 60
												EHK3-15	11.3 / 15.0	31.3 / 36.1	-	64.6 / 70.6	70 / 80
												EHK3-20	15.0 / 20.0	41.6 / 48.0	-	77.5 / 85.5	80 / 90
												-	-	-	7.2 / 6.5	32.7 / 32.0	45 / 45
												EHK3-10	7.5 / 10.0	20.8 / 24.0	7.2 / 6.5	58.7 / 62.0	60 / 70
												EHK3-15	11.3 / 15.0	31.3 / 36.1	7.2 / 6.5	71.8 / 77.1	80 / 80
EHK3-20	15.0 / 20.0	41.6 / 48.0	7.2 / 6.5	84.7 / 92.0	90 / 100												
DSH060XXX3H	208/230-3-60	16.0	110.0			1	0.33	2.30	High Static - Belt Drive	1.50	4.80	-	-	-	-	27.1 / 27.1	40 / 40
												EHK3-10	7.5 / 10.0	20.8 / 24.0	-	53.1 / 57.1	60 / 60
												EHK3-15	11.3 / 15.0	31.3 / 36.1	-	66.2 / 72.2	70 / 80
												EHK3-20	15.0 / 20.0	41.6 / 48.0	-	79.1 / 87.1	80 / 90
												-	-	-	7.2 / 6.5	34.3 / 33.6	50 / 45
												EHK3-10	7.5 / 10.0	20.8 / 24.0	7.2 / 6.5	60.3 / 63.6	70 / 70
												EHK3-15	11.3 / 15.0	31.3 / 36.1	7.2 / 6.5	73.4 / 78.7	80 / 80
EHK3-20	15.0 / 20.0	41.6 / 48.0	7.2 / 6.5	86.3 / 93.6	90 / 100												
DSH060XXX4B	460-3-60	7.8	52.0			1	0.33	1.10	Standard - Belt Drive	1.00	1.50	-	-	-	-	12.3	20
												EHK4-10	10.0	12.0	-	27.3	30
												EHK4-15	15.0	18.0	-	34.8	35
												EHK4-20	20.0	24.0	-	42.3	45
												-	-	-	3.3	15.6	20
												EHK4-10	10.0	12.0	3.3	30.6	35
												EHK4-15	15.0	18.0	3.3	38.1	40
EHK4-20	20.0	24.0	3.3	45.6	50												
DSH060XXX4H	460-3-60	7.8	52.0			1	0.33	1.10	High Static - Belt Drive	1.50	2.40	-	-	-	-	13.2	20
												EHK4-10	10.0	12.0	-	28.2	30
												EHK4-15	15.0	18.0	-	35.7	40
												EHK4-20	20.0	24.0	-	43.2	45
												-	-	-	3.3	16.5	20
												EHK4-10	10.0	12.0	3.3	31.5	35
												EHK4-15	15.0	18.0	3.3	39.0	40
EHK4-20	20.0	24.0	3.3	46.5	50												
DSH060XXX7B	575-3-60	5.7	38.9			1	0.33	0.90	Standard & High Static - Belt Drive	1.00	1.20	-	-	-	-	9.2	15
												EHK7-10	10.0	10.0	-	21.7	25
												EHK7-15	15.0	15.1	-	28.1	30
												EHK7-20	20.0	20.0	-	34.2	35
												-	-	-	2.6	11.8	15
												EHK7-10	10.0	10.0	2.6	24.3	25
												EHK7-15	15.0	15.1	2.6	30.7	35
EHK7-20	20.0	20.0	2.6	36.8	40												

* Electric Heater kW rating: Rated at 240v for 208-230v units; 480v for 460v units

MODEL AND HEAT KIT USAGE	RECOMMENDED AIRFLOW RANGE
DSH060***1D***	---
EHK1-10	1750-2250 CFM
EHK1-15	1750-2250 CFM
EHK1-20	1850-2250 CFM
DSH060***3D***	---
EHK3-10	1750-2250 CFM
EHK3-15	1750-2250 CFM
EHK3-20	1850-2250 CFM
DSH060***3B***	---
EHK3-10	1750-2250 CFM
EHK3-15	1750-2250 CFM
EHK3-20	1850-2250 CFM

MODEL AND HEAT KIT USAGE	RECOMMENDED AIRFLOW RANGE
DSH60***4B***	---
EHK4-10	1750-2250 CFM
EHK4-15	1750-2250 CFM
EHK4-20	1850-2250 CFM

MODEL AND HEAT KIT USAGE	RECOMMENDED AIRFLOW RANGE
DSH060***7B***	---
EHK7-10	1750-2250 CFM
EHK7-15	1750-2250 CFM
EHK7-20	1850-2250 CFM

kW CORRECTION FACTORS

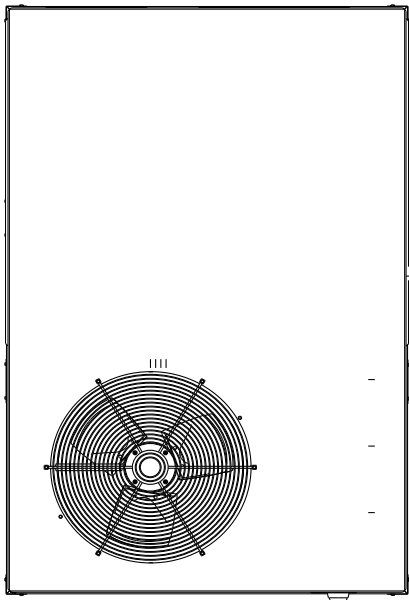
kW CORRECTION FACTOR FOR 1- & 3-PHASE UNITS					
SUPPLY VOLTAGE	240	230	220	210	208
CORRECTION FACTOR	1	0.92	0.84	0.77	0.75

kW CORRECTION FACTOR FOR 480V UNITS			
ACTUAL VOLTAGE	460	440	430
CORRECTION FACTOR	0.92	0.84	0.8

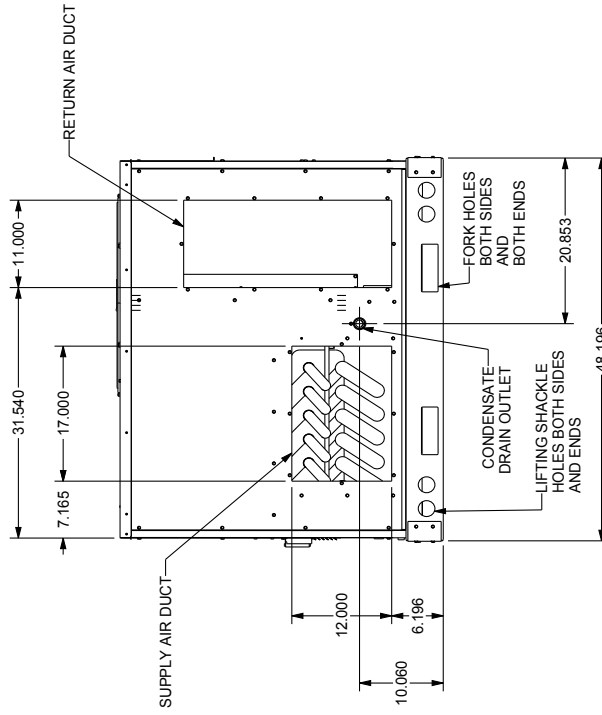
For other voltage use $\text{voltage}^2 / 480^2$

kW CORRECTION FACTOR FOR 575V UNITS			
SUPPLY VOLTAGE	560	550	540
CORRECTION FACTOR	0.95	0.91	0.88

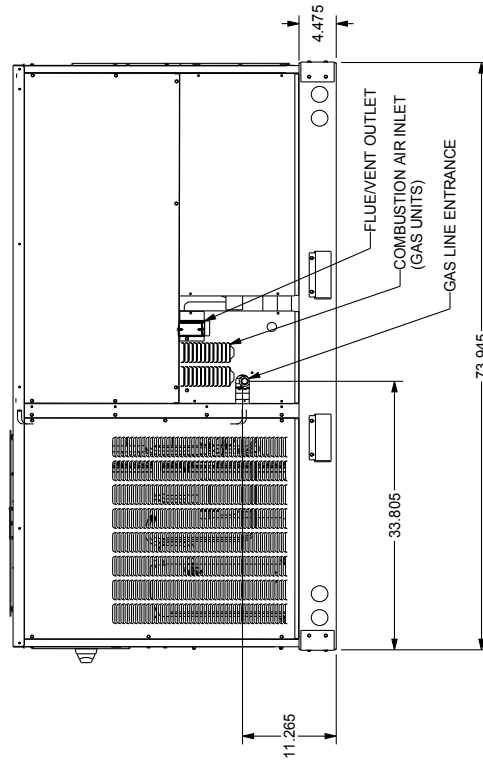
Multiply rated kW by correction factor to get actual kW



TOP VIEW



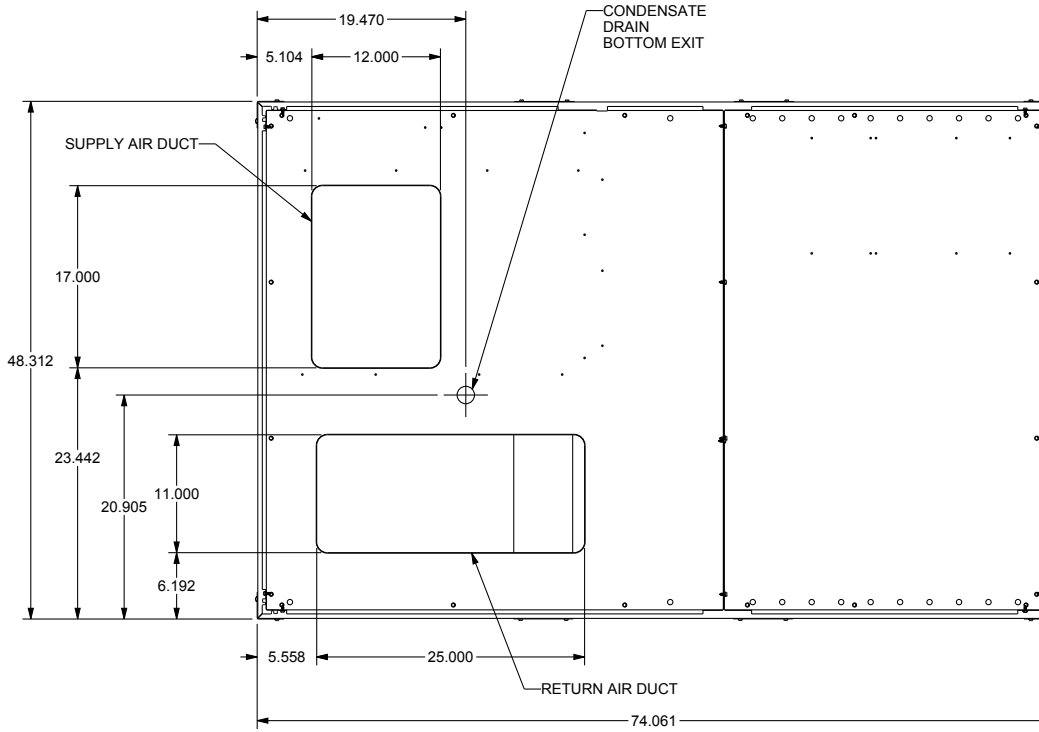
RIGHT END VIEW



FRONT VIEW

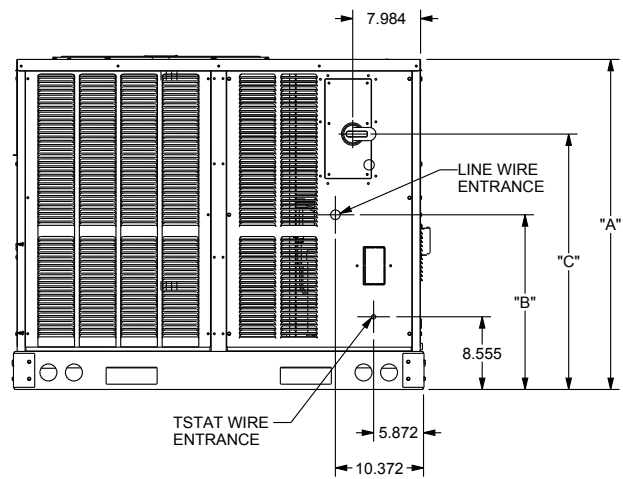
DSH036-060
3 THRU 5 TON COMMERCIAL

ALL DIMENSIONS GIVEN ARE IN INCHES
ALL DIMENSIONS AND SPECIFICATIONS ARE SUBJECT TO CHANGE WITHOUT NOTICE



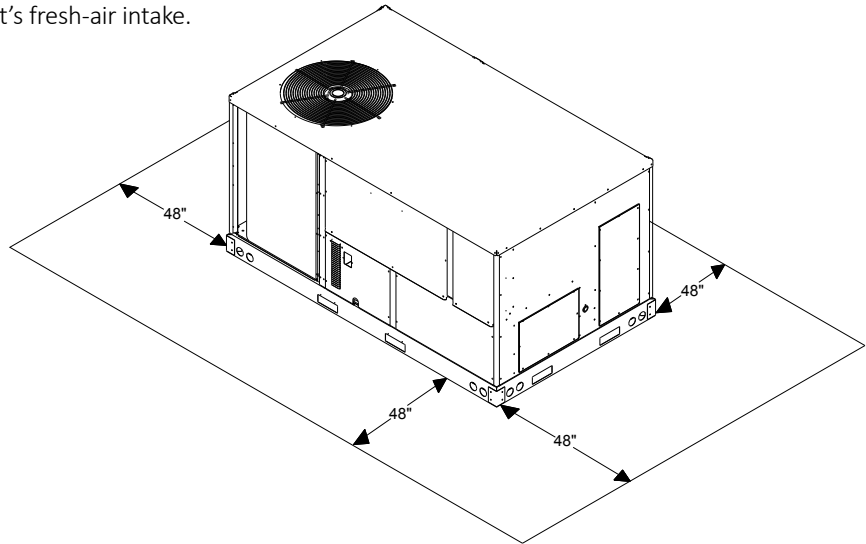
BASE PAN VIEW
(VIEWED FROM TOP)

MODEL TONNAGES	"A"	"B"	"C"
3 TON COMMERCIAL GAS, HT PUMP, AIR CONDITIONER	38.840	16.555	26.055
4 TON COMMERCIAL GAS, HT PUMP, AIR CONDITIONER	38.840	16.555	26.055
5 TON COMMERCIAL GAS, AIR CONDITIONER	38.840	16.555	26.055
5 TON COMMERCIAL HT PUMP	42.840	20.555	30.055

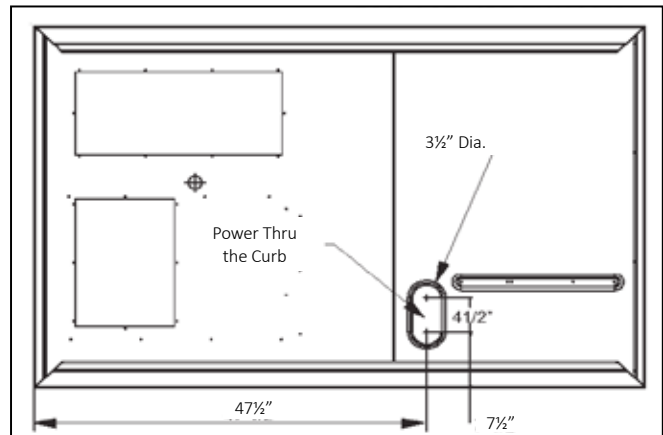
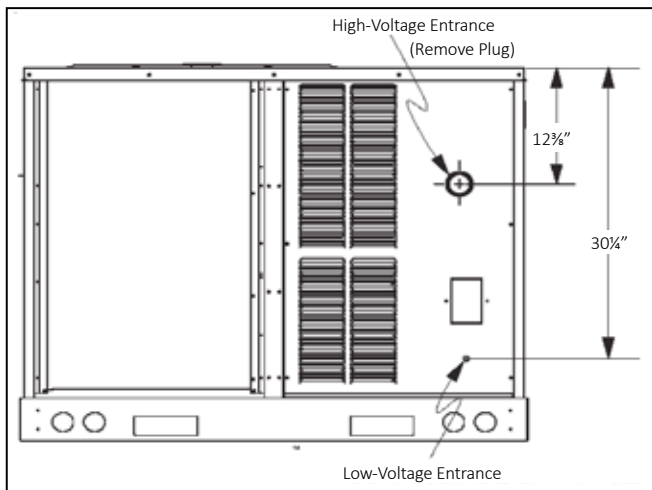


LEFT END VIEW

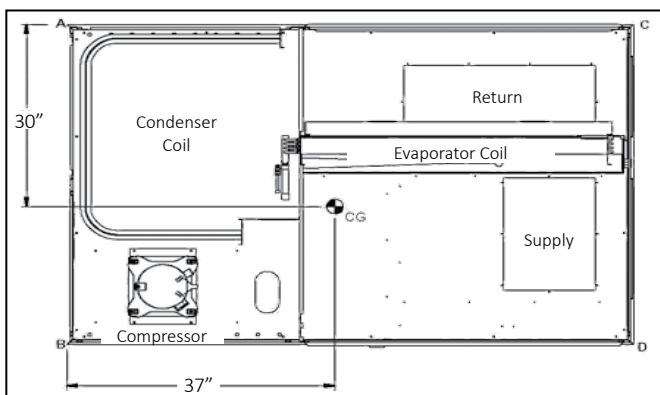
Maintain an adequate clearance around the unit for safety, service, maintenance, and proper unit operation. Leave a clearance of 48" on all sides of the unit for possible compressor removal or service access, and to ensure proper ventilation and condenser airflow. Do not install the unit beneath any obstruction. Install the unit away from all building exhausts to inhibit ingestion of exhaust air into the unit's fresh-air intake.



ELECTRICAL ENTRANCE LOCATIONS



CORNER & CENTER-OF-GRAVITY LOCATIONS



UNIT WEIGHTS	3-TON WEIGHTS	4-TON WEIGHTS	5-TON WEIGHTS
Corner Weight (A)	131	133	145
Corner Weight (B)	182	184	205
Corner Weight (C)	112	113	125
Corner Weight (D)	155	156	175
Unit Shipping Weight	605	610	675
Unit Operating Weight	580	585	650

Note: Weights are calculated without accessories installed.

Provisions for forks have been included in the unit base frame. No other fork locations are approved.

- Unit must be lifted by the four lifting holes located at the base frame corners.
- Lifting cables should be attached to the unit with shackles.
- The distance between the crane hook and the top of the unit must not be less than 60".
- Two spreader bars must span over the unit to prevent damage to the cabinet by the lift cables. Spreader bars must be of sufficient length so that cables do not come in contact with the unit during transport. Remove wood struts mounted beneath unit base frame before setting unit on roof curb. These struts are intended to protect unit base frame from fork lift damage. To remove the struts, extract the sheet metal retainers and pull the struts through the base of the unit. Refer to rigging label on the unit.

Important: If using bottom discharge with roof curb, duct-work should be attached to the curb prior to installing the unit. Duct-work dimensions are shown in Roof Curb Installation Instructions Manual.

Refer to the Roof Curb Installation Instructions for proper curb installation. Curbing must be installed in compliance with the National Roofing Contractors Association Manual.

Lower unit carefully onto roof mounting curb. While rigging the unit, the center of gravity will cause the condenser end to be lower than the supply air end.

Bring condenser end of unit into alignment with the curb. With condenser end of the unit resting on curb member and using curb as a fulcrum, lower opposite end of the unit until entire unit is seated on the curb. When a rectangular cantilever curb is used, take care to center the unit. Check for proper alignment and orientation of supply and return openings with duct.

To assist in determining rigging requirements, unit weights are shown below.

Curb installations must comply with local codes and should follow the established guidelines of the National Roofing Contractors Association.

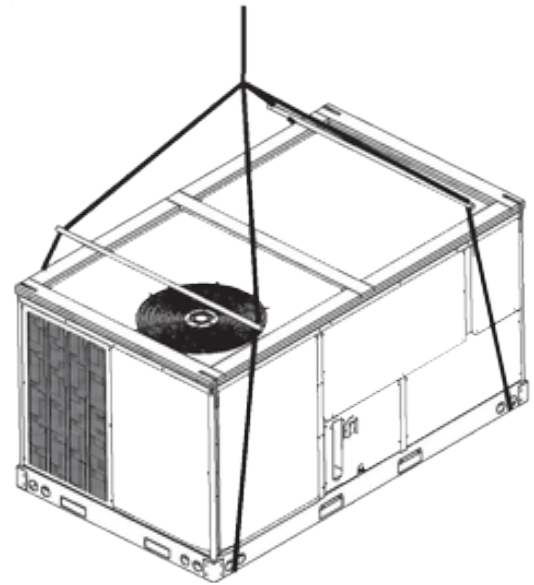
Proper unit installation requires that the roof curb be firmly and permanently attached to the roof structure. Check for adequate fastening method prior to setting the unit on the curb.

Full perimeter roof curbs are available from the factory and are shipped unassembled. The installing contractor is responsible for field assembly, squaring, leveling, and mounting on the roof structure. All required hardware necessary for the assembly of the sheet metal curb is included in the curb accessory package.

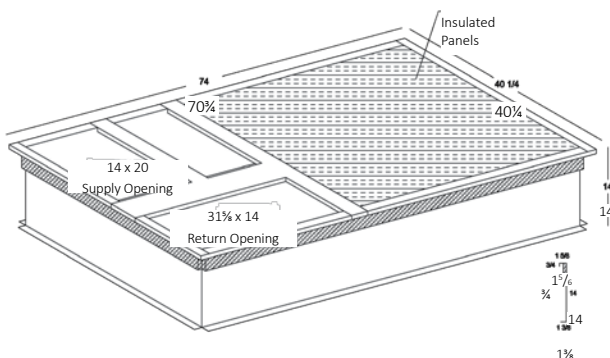
- Determine sufficient structural support before locating and mounting the curb and package unit.
- Duct-work must be constructed using industry guidelines. The duct-work must be placed into the roof curb before mounting the package unit. Our full perimeter curbs include duct connection frames to be assembled with the curb. Cantilevered-type curbs are not available from the factory.
- Contractor furnishes curb insulation, cant strips, flashing, and general roofing material.
- Support curbs on parallel sides with roof members. To prevent damage to the unit, the roof members cannot penetrate supply and return duct openings.

Note: The unit and curb accessories are designed to allow vertical duct installation before unit placement. Duct installation after unit placement is not recommended.

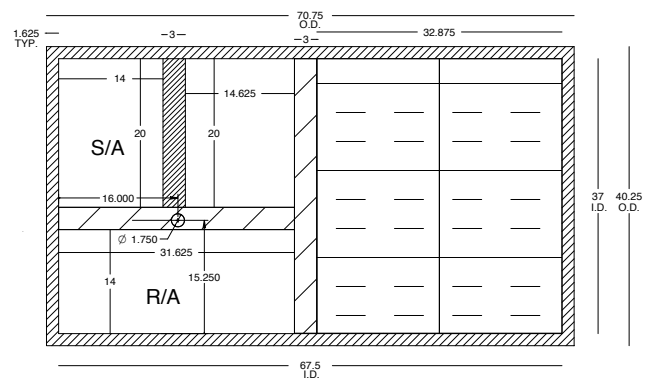
See the manual shipped with the roof curb for assembly and installation instructions.



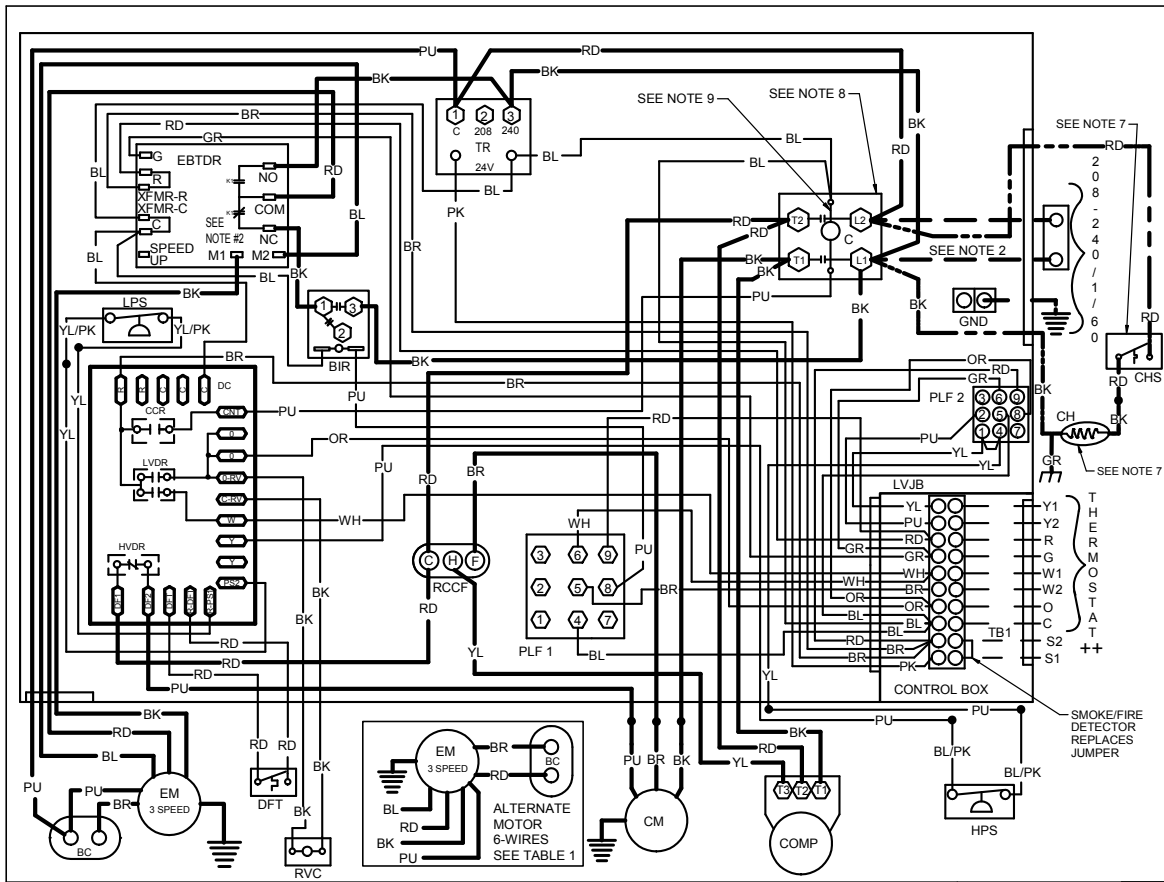
3-D VIEW



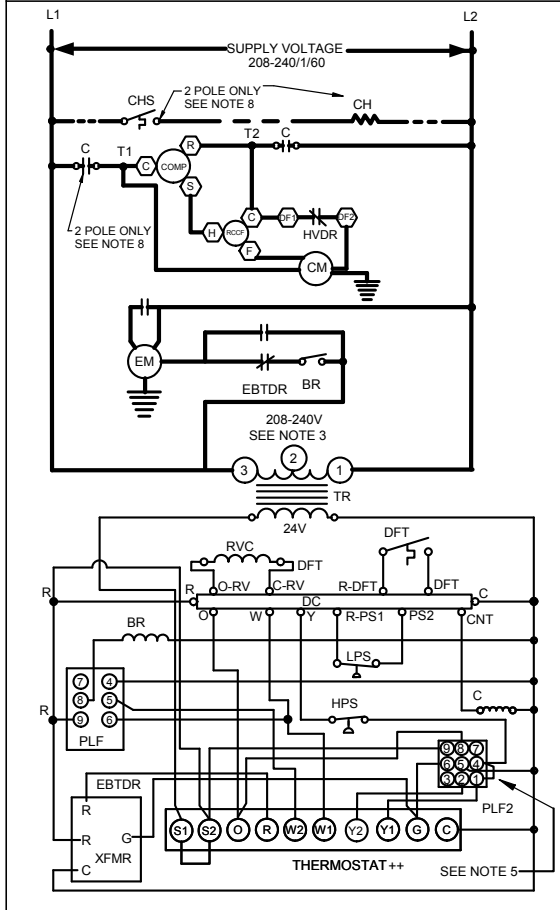
TOP VIEW



WIRING DIAGRAM — DSH036*/DSH048* SINGLE PHASE 208-230V/1/60HZ DIRECT DRIVE



WARNING
High Voltage: Disconnect all power before servicing or installing this unit. Multiple power sources may be present. Failure to do so may cause property damage, personal injury, or death.



COMPONENT LEGEND

- BIR BLOWER INTERLOCK RELAY
- C CONTACTOR
- CCR COMPRESSOR CONTACTOR RELAY
- CH CRANKCASE HEATER
- CHS CRANKCASE HEATER SWITCH
- CM CONDENSER MOTOR
- COMP COMPRESSOR
- DC DEFROST CONTROL
- DFT DEFROST THERMOSTAT
- ECON ECONOMIZER
- EM EVAPORATOR MOTOR
- GND EQUIPMENT GROUND
- HPS HIGH PRESSURE SWITCH
- HVDR HIGH VOLTAGE DEFROST RELAY
- LPS LOW PRESSURE SWITCH
- LVDR LOW VOLTAGE DEFROST RELAY
- LVJB LOW VOLTAGE JUNCTION BOX
- PLF FEMALE PLUG / CONNECTOR
- RVC REVERSING VALVE COIL
- RCCF RUN CAPACITOR FOR CONDENSER FAN
- TB1 TERMINAL BLOCK (24V SIGNAL)
- TR TRANSFORMER
- BC BLOWER CAPACITOR

NOTES:

- REPLACEMENT WIRE MUST BE SAME SIZE AND TYPE INSULATION AS ORIGINAL (AT LEAST 105°C) USE COPPER CONDUCTOR ONLY.
- TO CHANGE EVAPORATOR MOTOR SPEED MOVE M1 OR M2 WIRE TO COM TERMINAL ON EBTD AND PLACE WIRE REMOVED FROM COM ON EMPTY M1 OR M2 TERMINAL.
- FOR 208 VOLT TRANSFORMER OPERATION MOVE BLACK WIRES FROM TERMINAL 3 TO TERMINAL 2 ON TRANSFORMER.
- USE COPPER CONDUCTORS ONLY.
- ++ USE N.E.C. CLASS 2 WIRE
- ECONOMIZER PLUG LOCATED IN RETURN AIR COMPARTMENT. REMOVE MALE PLUG AND ATTACH TO ECONOMIZER ACCESSORY.
- DIAGRAM SHOWS FACTORY SPEED TAP SETTINGS.
- CRANKCASE HEATER AND CRANKCASE HEATER SWITCH FACTORY EQUIPPED WHEN REQUIRED.
- DOUBLE POLE CONTACTOR SHOWN. SINGLE POLE CONTACTOR COULD BE FACTORY EQUIPPED AS AN ALTERNATE CONFIGURATION.
- COMMON SIDE OF CONTACTOR CAN NOT BE GROUNDED OR CONNECTED TO ANY OTHER COMMON (24V).

TABLE 1		TABLE 2	
ALTERNATE MOTOR WIRING		SPEED TAPS	
COLOR	TERMINATION	RD	LOW
RD	COM (EBTDR)	BL	MED
BR	M1 (EBTDR)	BK	HIGH
BL	M2 (EBTDR)		
PU	PIN 1 (24V XFMR)		

SEE UNIT RATING PLATE FOR TYPE AND SIZE OF OVER CURRENT PROTECTION

JUNCTION TERMINAL	EQUIPMENT GROUND	⏏
INTERNAL TO INTEGRATED CONTROL	FIELD GROUND	⏏
PLUG CONNECTION	FIELD SPlice	⏏
SWITCH (PRESS.)	SWITCH (TEMP)	⏏
OVERCURRENT PROT. DEVICE	IGNITER	⏏

208-240/160 0140L02904-B

FACTORY WIRING

- LINE VOLTAGE
- LOW VOLTAGE
- OPTIONAL
- HIGH VOLTAGE
- OPTIONAL
- LOW VOLTAGE
- FIELD WIRING
- HIGH VOLTAGE
- LOW VOLTAGE

WIRE CODE

- BK BLACK
- BL BLUE
- BR BROWN
- GR GREEN
- OR ORANGE
- PK PINK
- PU PURPLE
- RD RED
- WH WHITE
- YL YELLOW
- BL/PK BLUE WITH PINK STRIP
- YL/PK YELLOW WITH PINK STRIP

THERMOSTAT ++ FIELD WIRING

NO ECONOMIZER

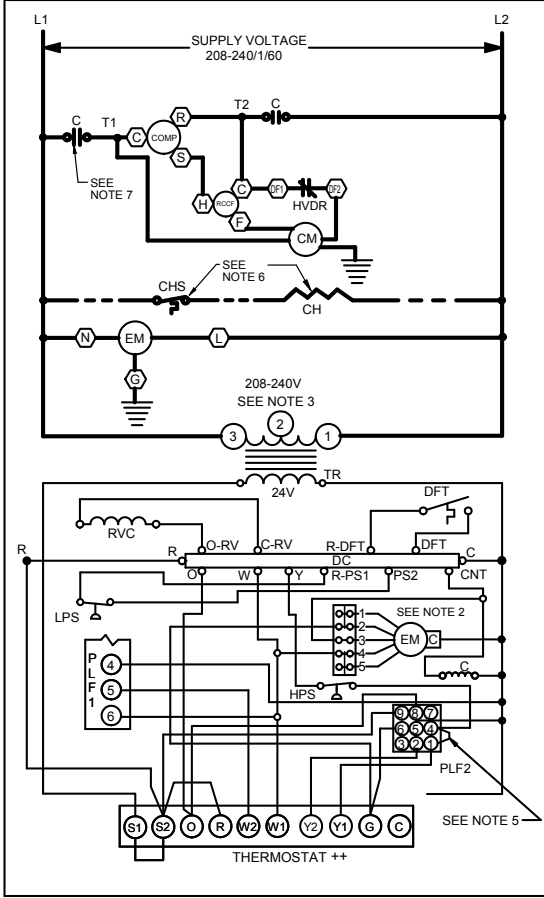
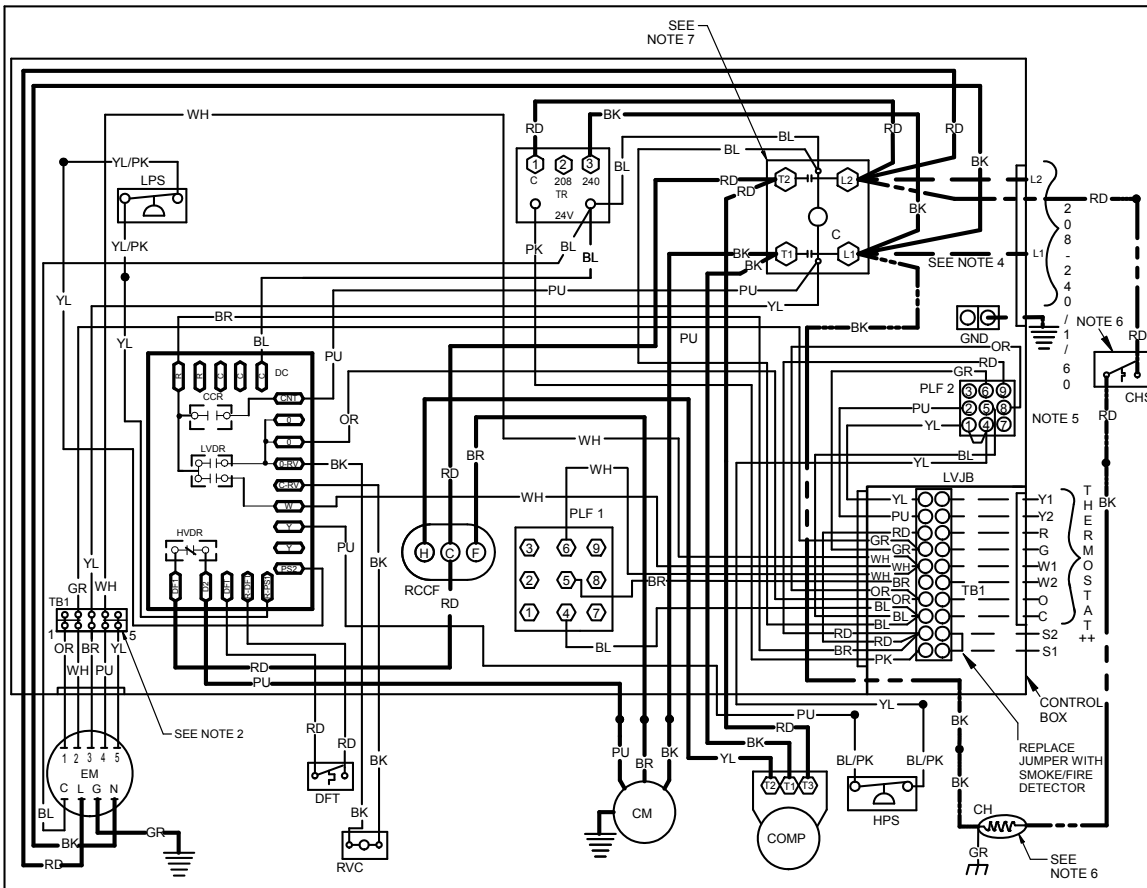
Y1	WH	W
Y2	GR	G
R	RD	R
G	YL	Y
STAT		

WITH ECONOMIZER OPTION

Y1	WH	W
Y2	GR	G
R	RD	R
G	YL	Y
STAT		

2 STAGE COOLING

Y1	WH	W
Y2	GR	G
R	RD	R
G	YL	Y1
Y1	PK	Y2
Y2	BL	C
STAT	OR	O



COMPONENT LEGEND

C CONTACTOR
 CTR COMPRESSOR CONTACTOR RELAY
 CH CRANKCASE HEATER
 CHS CRANKCASE HEATER SWITCH
 CM CONDENSER MOTOR
 COMP COMPRESSOR
 DC DEFROST CONTROL
 DFT DEFROST THERMOSTAT
 ECON ECONOMIZER
 EM EVAPORATOR MOTOR
 GND EQUIPMENT GROUND
 HPS HIGH PRESSURE SWITCH
 HVDR HIGH VOLTAGE DEFROST RELAY
 LVDR LOW VOLTAGE DEFROST RELAY
 LVJB LOW VOLTAGE JUNCTION BOX
 PLF FEMALE PLUG / CONNECTOR
 RVC REVERSING VALVE COIL
 RCCF RUN CAPACITOR FOR COMPRESSOR AND FAN
 TB1 TERMINAL BLOCK (24V SIGNAL)
 TR TRANSFORMER

NOTES:

- REPLACEMENT WIRE MUST BE SAME SIZE AND TYPE INSULATION AS ORIGINAL (AT LEAST 105°C) USE COPPER CONDUCTOR ONLY.
- TO CHANGE EVAPORATOR MOTOR SPEED MOVE WHITE AND YELLOW LEADS FROM "3" AND "4" TO "4" AND "5". IF BOTH LEADS ARE ENERGIZED, THE HIGHER SPEED SETTING IS USED.
- FOR 208 VOLT TRANSFORMER OPERATION MOVE BLACK WIRE FROM TERMINAL 3 TO TERMINAL 2 ON TRANSFORMER.
- USE COPPER CONDUCTORS ONLY
 ++ USE N.E.C. CLASS 2 WIRE
- ECONOMIZER PLUG LOCATED IN THE RETURN AIR COMPARTMENT. REMOVE MALE PLUG AND ATTACH FEMALE PLUG TO ECONOMIZER ACCESSORY.
- CRANKCASE HEATER AND CRANKCASE HEATER SWITCH FACTORY EQUIPPED WHEN REQUIRED.
- DOUBLE POLE CONTACTOR SHOWN. SINGLE POLE CONTACTOR COULD BE FACTORY EQUIPPED AS AN ALTERNATE CONFIGURATION.

SEE UNIT RATING PLATE FOR TYPE AND SIZE OF OVER CURRENT PROTECTION

JUNCTION **EQUIPMENT GROUND**

TERMINAL INTERNAL TO INTEGRATED CONTROL **FIELD GROUND**

PLUG CONNECTION **FIELD SPlice**

SWITCH (PRESS.) **SWITCH (TEMP)**

OVERCURRENT PROT. DEVICE **IGNITER**

208-240/1/60 0140L05410-A

FACTORY WIRING

— LINE VOLTAGE
 — LOW VOLTAGE
 - - - OPTIONAL HIGH VOLTAGE
 - - - - - OPTIONAL LOW VOLTAGE

FIELD WIRING

— HIGH VOLTAGE
 — LOW VOLTAGE

WIRE CODE

BK BLACK
 BL BLUE
 BR BROWN
 GR GREEN
 OR ORANGE
 PK PINK
 RD RED
 PU PURPLE
 YL YELLOW
 WH WHITE
 BL/PK BLUE WITH PINK STRIP
 YL/PK YELLOW WITH PINK STRIP

THERMOSTAT ++ FIELD WIRING

NO ECONOMIZER

W1 — WH — W
 W2 — GR — G
 W3 — RD — R
 W4 — YL — Y

— BL — C
 — OR — O
 STAT

WITH ECONOMIZER OPTION

W1 — WH — W
 W2 — GR — G
 W3 — RD — R
 W4 — YL — Y

— BL — C
 — OR — O
 STAT

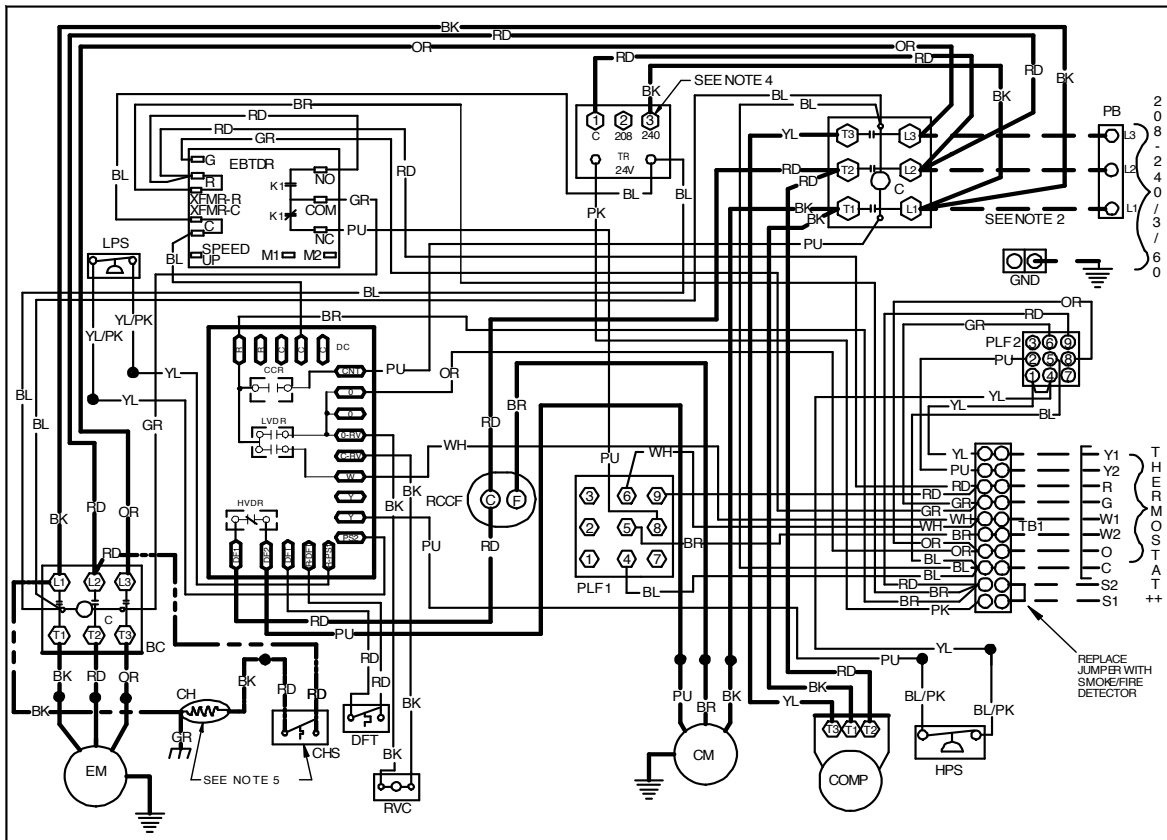
2 STAGE COOLING

W1 — WH — W
 W2 — GR — G
 W3 — RD — R
 W4 — YL — Y1
 W5 — PK — Y2
 W6 — BL — C
 W7 — OR — O
 STAT

High Voltage: Disconnect all power before servicing or installing this unit. Multiple power sources may be present. Failure to do so may cause property damage, personal injury, or death.

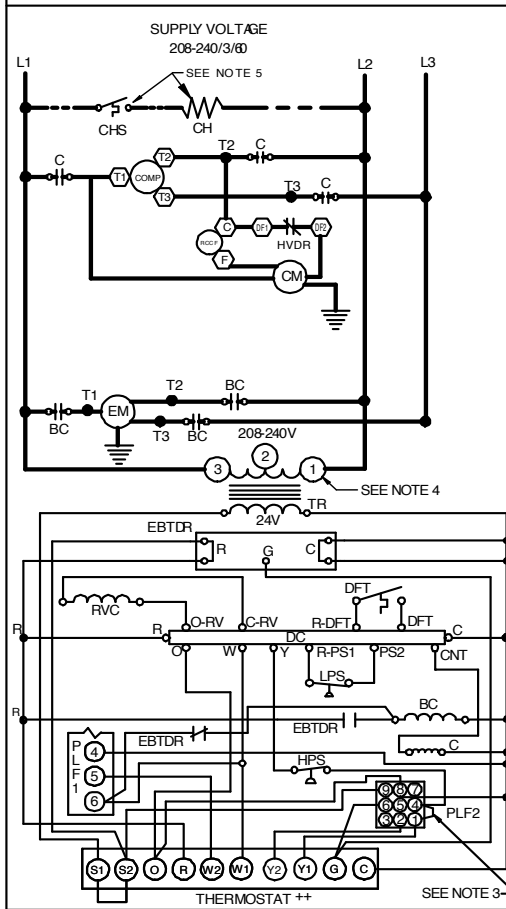
WARNING

Wiring is subject to change. Always refer to the wiring diagram on the unit for the most up-to-date wiring.



High Voltage: Disconnect all power before servicing or installing this unit. Multiple power sources may be present. Failure to do so may cause property damage, personal injury, or death.

WARNING



COMPONENT LEGEND

BC	BLOWER CONTACTOR
C	COMPRESSOR CONTACTOR RELAY
CCR	CONTACTOR
CH	CRANKCASE HEATER
CHS	CRANKCASE HEATER SWITCH
CM	COMPRESSOR MOTOR
COMP	COMPRESSOR
DC	DEFROST CONTROL
DFT	DEFROST THERMOSTAT
ECOM	ECONOMIZER
EBTDR	ELECTRONIC BLOWER TIME DELAY
MR	EVAPORATOR MOTOR RELAY
EM	EVAPORATOR MOTOR
GND	EQUIPMENT GROUND
HPS	HIGH PRESSURE SWITCH
HVDR	HIGH VOLTAGE DEFROST RELAY
LVDR	LOW VOLTAGE DEFROST RELAY
LPS	LOW PRESSURE SWITCH
PLF	FEMALE PLUG / CONNECTOR
RVC	REVERSING VALVE COIL
RCCF	RUN CAPACITOR FOR CONDENSER FAN
TB1	TERMINAL BLOCK (24V SIGNAL)
TR	TRANSFORMER

NOTES:

- REPLACEMENT WIRE MUST BE SAME SIZE AND TYPE INSULATION AS ORIGINAL (AT LEAST 105°C) USE COPPER CONDUCTOR ONLY.
- USE COPPER CONDUCTORS ONLY
- USE N.E.C. CLASS 2 WIRE
- ECONOMIZER PLUG LOCATED IN THE RETURN AIR COMPARTMENT: REMOVE MALE PLUG AND ATTACH FEMALE PLUG TO THE ECONOMIZER ACCESSORY.
- FOR 208 VOLT TRANSFORMER OPERATION MOVE BLACK WIRE FROM TERMINAL 3 TO TERMINAL 2 ON TRANSFORMER.
- CRANKCASE HEATER AND CRANKCASE HEATER SWITCH FACTORY EQUIPPED WHEN REQUIRED.

SEE UNIT RATING PLATE FOR TYPE AND SIZE OF OVER CURRENT PROTECTION

JUNCTION		EQUIPMENT GROUND	
INTERNAL TO INTEGRATED CONTROL		FIELD GROUND	
PLUG CONNECTION		FIELD SPICE	
SWITCH (PRESS)		SWITCH (TEMP)	
OVERCURRENT PROT. DEVICE		IGNITER	

208-240/3/60 0140L05412A

FACTORY WIRING

— LINE VOLTAGE
 - - - LOW VOLTAGE
 - - - - - OPTIONAL
 - - - - - HIGH VOLTAGE
 - - - - - OPTIONAL
 - - - - - LOW VOLTAGE

FIELD WIRING

— — — HIGH VOLTAGE
 - - - LOW VOLTAGE

WIRE CODE

BK BLACK
 BL BLUE
 BR BROWN
 GR GREEN
 OR ORANGE
 PK PINK
 PU PURPLE
 RD RED
 WH WHITE
 YL YELLOW
 BL/PK BLUE WITH PINK STRIP
 YL/PK YELLOW WITH PINK STRIP

THERMOSTAT FIELD WIRING

NO ECONOMIZER

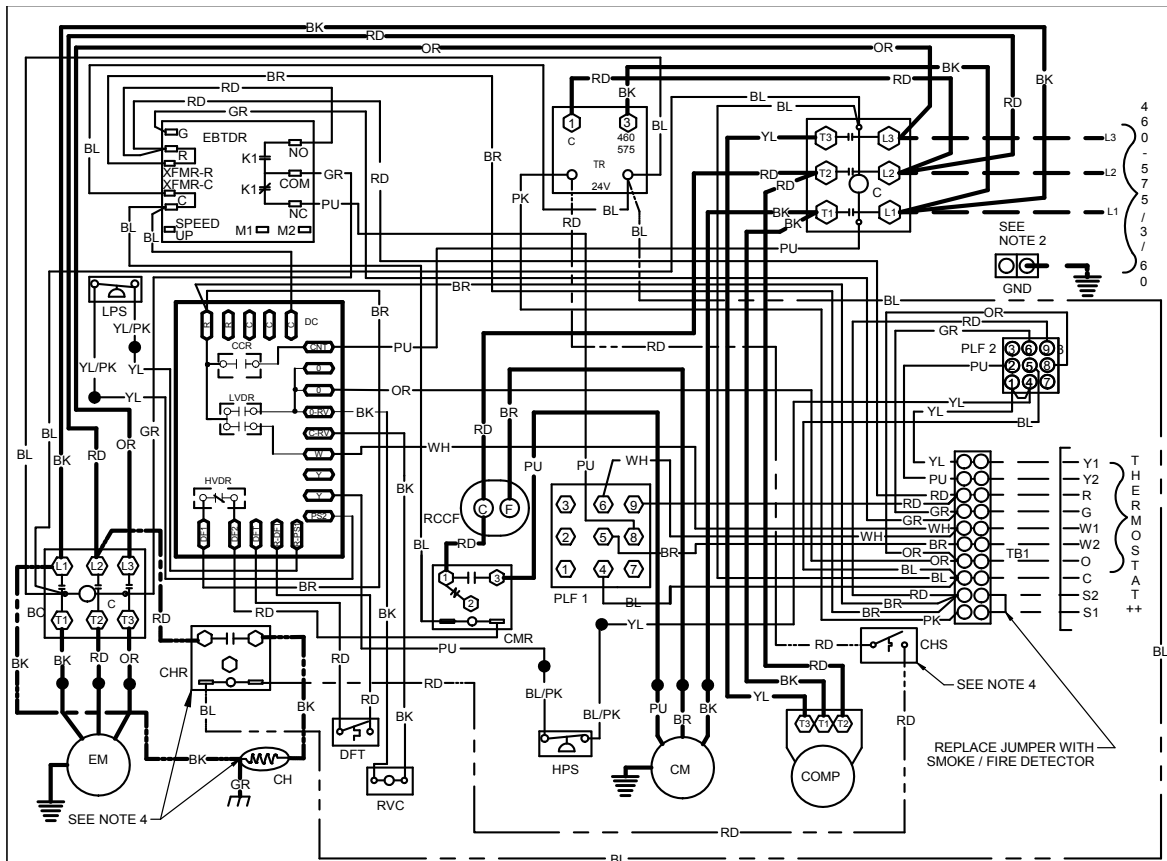
— WH —	W
— GR —	G
— RD —	R
— YL —	Y
— BL —	C
— OR —	O
—	STAT

WITH ECONOMIZER OPTION

— WH —	W
— GR —	G
— RD —	R
— YL —	Y
— BL —	C
— OR —	O
—	STAT

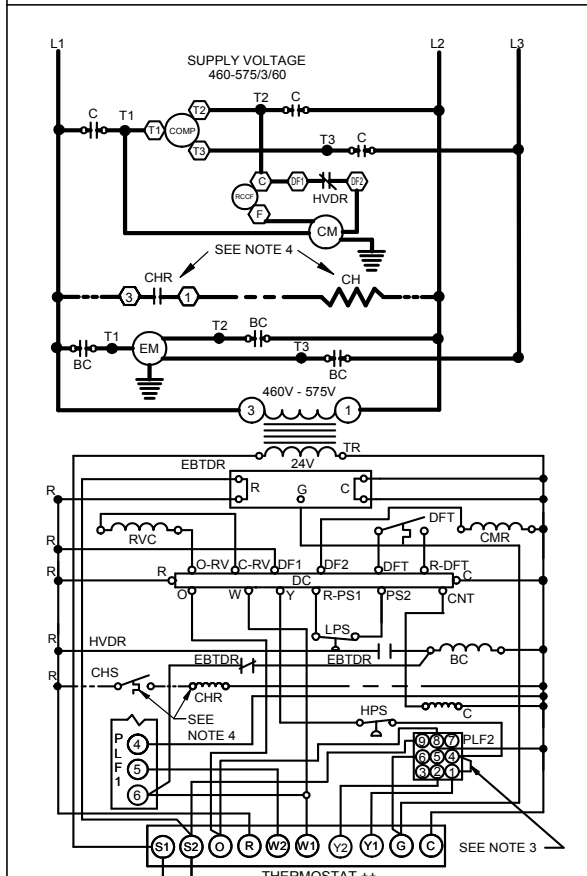
2 STAGE COOLING

— WH —	W
— GR —	G
— RD —	R
— YL —	Y1
— PK —	Y2
— BL —	C
— OR —	O
—	STAT



High Voltage: Disconnect all power before servicing or installing this unit. Multiple power sources may be present. Failure to do so may cause property damage, personal injury, or death.

WARNING



COMPONENT LEGEND

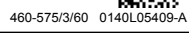
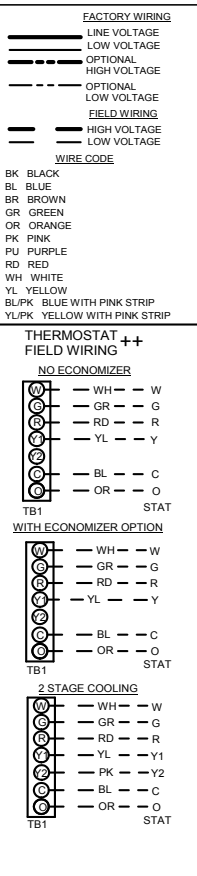
BC	BLOWER CONTACTOR
C	CONTACTOR
CCR	COMPRESSOR CONTACTOR RELAY
CH	CRANKCASE HEATER
CHS	CRANKCASE HEATER SWITCH
CHR	CRANKCASE HEATER RELAY
CM	CONDENSER MOTOR
CMR	CONDENSER MOTOR RELAY
COMP	COMPRESSOR
DC	DEFROST CONTROL
DFT	DEFROST THERMOSTAT
ECON	ECONOMIZER
EBTD	ELECTRONIC BLOWER TIME DELAY
EMR	EVAPORATOR MOTOR RELAY
EM	EVAPORATOR MOTOR
PK	EQUIPMENT GROUND
HPS	HIGH PRESSURE SWITCH
HVDR	HIGH VOLTAGE DEFROST RELAY
LPS	LOW PRESSURE SWITCH
LVDR	LOW VOLTAGE DEFROST RELAY
PLF	FEMALE PLUG / CONNECTOR
RVC	REVERSING VAVLE COIL
RCCF	RUN CAPACITOR FOR CONDENSER FAN
TB1	TERMINAL BLOCK (24V SIGNAL)
TR	TRANSFORMER

NOTES:

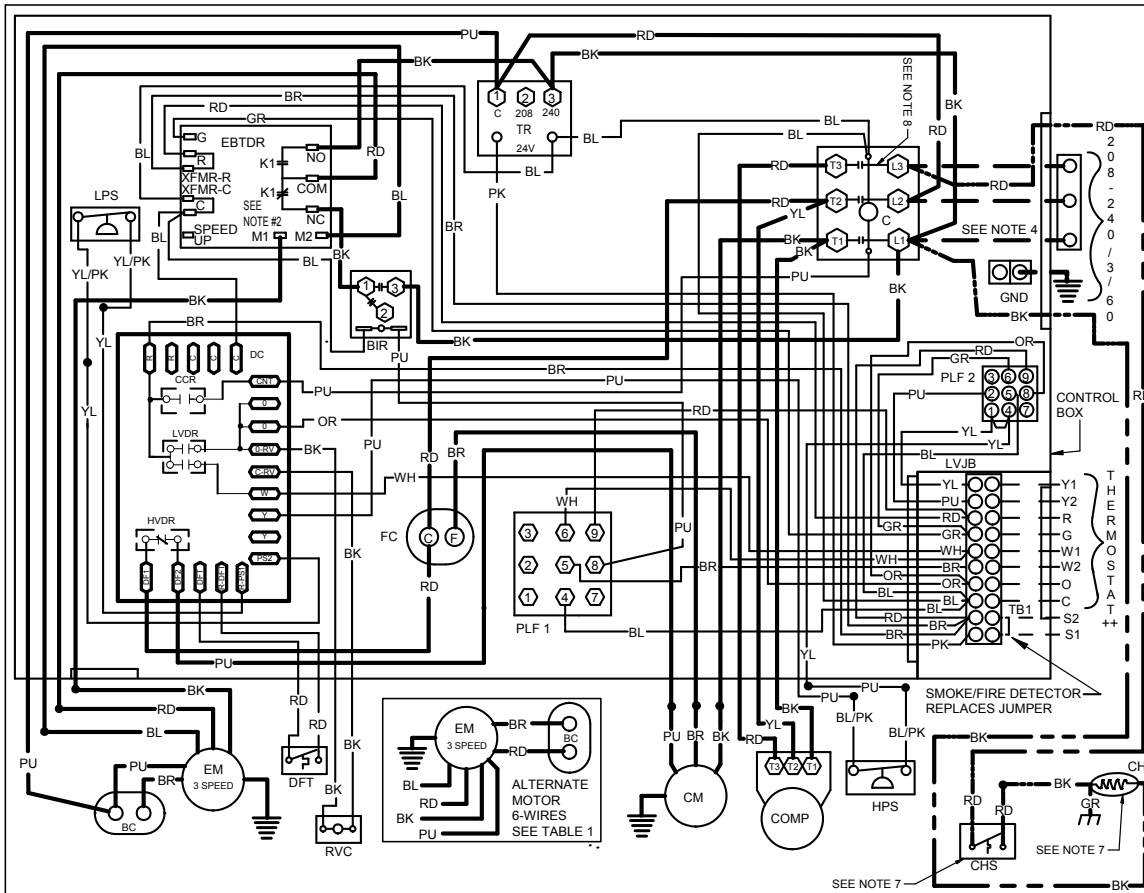
- REPLACEMENT WIRE MUST BE SAME SIZE AND TYPE INSULATION AS ORIGINAL (AT LEAST 105°C) USE COPPER CONDUCTOR ONLY.
- USE COPPER CONDUCTORS ONLY
- ++ USE N.E.C. CLASS 2 WIRE
- ECONOMIZER PLUG LOCATED IN THE RETURN AIR COMPARTMENT. REMOVE MALE PLUG AND ATTACH FEMALE PLUG TO THE ECONOMIZER ACCESSORY.
- CRANKCASE HEATER, CRANKCASE HEATER RELAY, AND CRANKCASE HEATER SWITCH FACTORY EQUIPPED WHEN REQUIRED.

SEE UNIT RATING PLATE FOR TYPE AND SIZE OF OVER CURRENT PROTECTION

JUNCTION TERMINAL	EQUIPMENT GROUND
INTERNAL TO INTEGRATED CONTROL	FIELD GROUND
PLUG CONNECTION	FIELD SPICE
SWITCH (PRESS.)	SWITCH (TEMP)
OVERCURRENT PROT. DEVICE	IGNITER

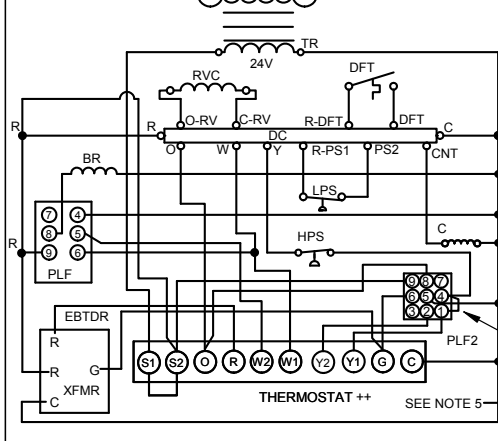
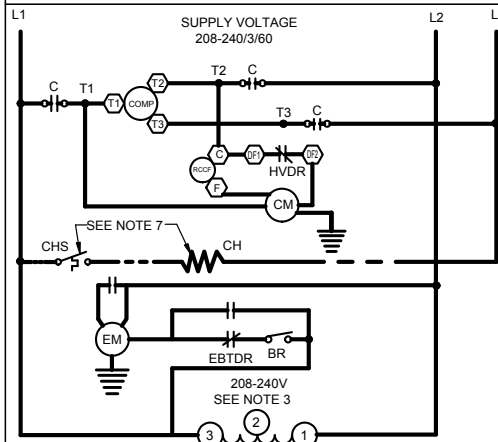


WIRING DIAGRAM — DSH036*/DSH048* THREE PHASE 208-230V/3/60HZ DIRECT DRIVE



High Voltage: Disconnect all power before servicing or installing this unit. Multiple power sources may be present. Failure to do so may cause property damage, personal injury, or death.

WARNING

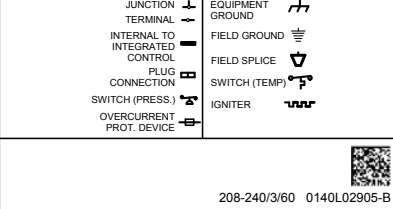


COMPONENT LEGEND

BIR	BLOWER INTERLOCK RELAY CONTACTOR
CCR	COMPRESSOR CONTACTOR RELAY
CH	CRANKCASE HEATER
CHS	CRANKCASE HEATER SWITCH
CM	CONDENSER MOTOR
COMP	COMPRESSOR
DC	DEFROST CONTROL
DFT	DEFROST THERMOSTAT
ECON	ECONOMIZER
EM	EVAPORATOR MOTOR
FC	FAN CAPACITOR
FC	EQUIPMENT GROUND
HPS	HIGH PRESSURE SWITCH
HVDR	HIGH VOLTAGE DEFROST RELAY
LPS	LOW PRESSURE SWITCH
LVD	LOW VOLTAGE DEFROST RELAY
LVJB	LOW VOLTAGE JUNCTION BOX
PLF	FEMALE PLUG / CONNECTOR
RVC	REVERSING VALVE COIL
TB1	TERMINAL BLOCK (24V SIGNAL)
TR	TRANSFORMER
BC	BLOWER CAPACITOR

- NOTES:**
- REPLACEMENT WIRE MUST BE SAME SIZE AND TYPE INSULATION AS ORIGINAL (AT LEAST 105°C) USE COPPER CONDUCTOR ONLY.
 - TO CHANGE EVAPORATOR MOTOR SPEED MOVE M1 OR M2 WIRE TO COM TERMINAL ON EBTDR AND PLACE WIRE REMOVED FROM COM ON EMPTY M1 OR M2 TERMINAL.
 - FOR 208V TRANSFORMER OPERATION MOVE BK WIRES FROM TERMINAL 3 TO TERMINAL 2 ON TRANSFORMER. USE COPPER CONDUCTORS ONLY.
 - USE N.E.C. CLASS 2 WIRE.
 - ECONOMIZER PLUG LOCATED IN THE RETURN AIR COMPARTMENT. REMOVE MALE PLUG AND ATTACH FEMALE PLUG TO ECONOMIZER ACCESSORY.
 - DIAGRAM SHOWS FACTORY SPEED TAP SETTINGS.
 - CRANKCASE HEATER AND CRANKCASE HEATER SWITCH FACTORY EQUIPPED WHEN REQUIRED.
 - COMMON SIDE OF CONTACTOR CAN NOT BE GROUNDED OR CONNECTED TO ANY OTHER COMMON (24V).

TABLE 1 ALTERNATE MOTOR WIRING		TABLE 2 SPEED TAPS	
COLOR	TERMINATION	RD	LOW
RD	COM (EBTDR)	BL	MED
BK	M1 (EBTDR)	BK	HIGH
BL	M2 (EBTDR)		
PU	FIN 1 (24V XFMR)		



FACTORY WIRING

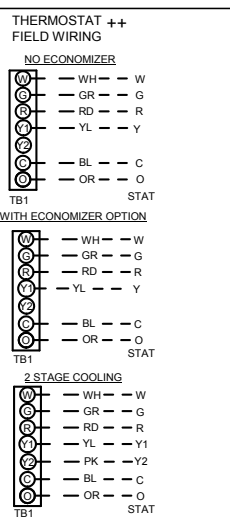
— LINE VOLTAGE
 - - - LOW VOLTAGE
 - - - - OPTIONAL
 - - - - HIGH VOLTAGE
 - - - - - OPTIONAL
 - - - - - LOW VOLTAGE

FIELD WIRING

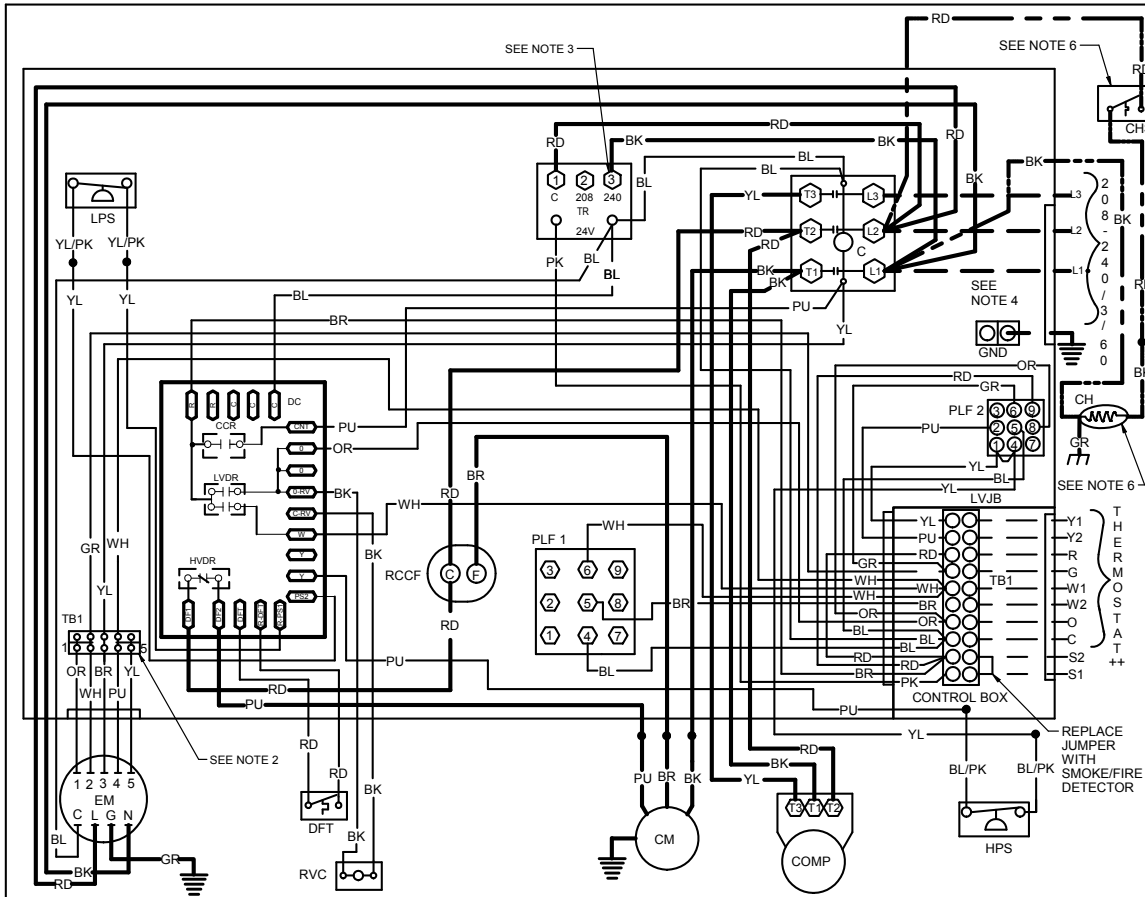
— - - - HIGH VOLTAGE
 - - - - - LOW VOLTAGE

WIRE CODE

BK BLACK
 BL BLUE
 BR BROWN
 GR GREEN
 OR ORANGE
 PK PINK
 PU PURPLE
 RD RED
 WH WHITE
 YL YELLOW
 BL/PK BLUE WITH PINK STRIP
 YL/PK YELLOW WITH PINK STRIP

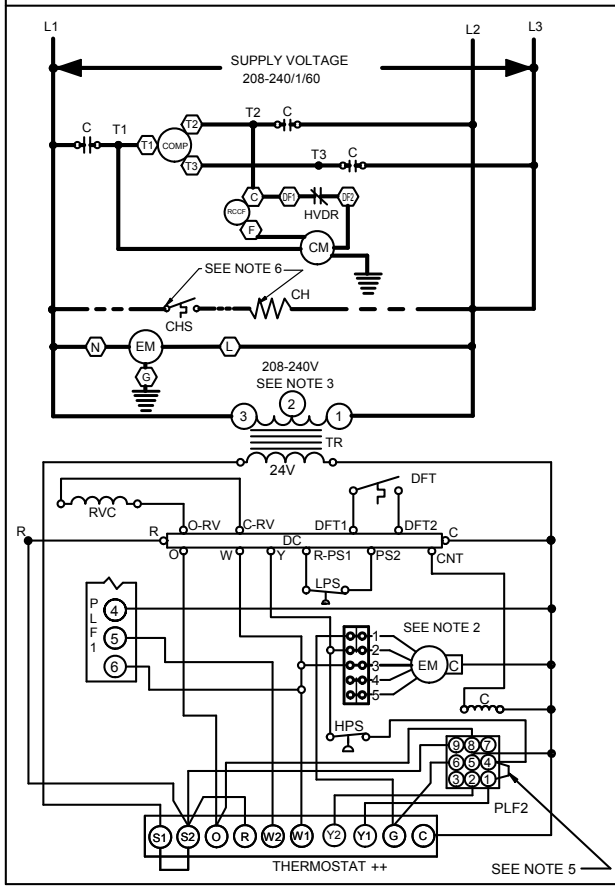


Wiring is subject to change. Always refer to the wiring diagram on the unit for the most up-to-date wiring.



High Voltage: Disconnect all power before servicing or installing this unit. Multiple power sources may be present. Failure to do so may cause property damage, personal injury, or death.

WARNING



COMPONENT LEGEND

C	CONTACTOR
CCR	COMPRESSOR CONTACTOR RELAY
CH	CRANKCASE HEATER
CHS	CRANKCASE HEATER SWITCH
CM	CONDENSER MOTOR
COMP	COMPRESSOR
DC	DEFROST CONTROL
DFT	DEFROST THERMOSTAT
ECON	ECONOMIZER
EM	EVAPORATOR MOTOR
GND	EQUIPMENT GROUND
HPS	HIGH PRESSURE SWITCH
HVDR	HIGH VOLTAGE DEFROST RELAY
LPS	LOW PRESSURE SWITCH
LVDR	LOW VOLTAGE DEFROST RELAY
LVJB	LOW VOLTAGE JUNCTION BOX
PLF	FEMALE PLUG / CONNECTOR
RVC	REVERSING VALVE COIL
RCCF	RUN CAPACITOR FOR CONDENSER FAN
TB1	TERMINAL BLOCK (24V SIGNAL)
TR	TRANSFORMER
RV	REVERSING VALVE

NOTES:

- REPLACEMENT WIRE MUST BE SAME SIZE AND TYPE INSULATION AS ORIGINAL (AT LEAST 105°C) USE COPPER CONDUCTOR ONLY.
- TO CHANGE EVAPORATOR MOTOR SPEED MOVE WHITE AND YELLOW LEADS FROM "3" AND "4" TO "4" AND "5". IF BOTH LEADS ARE ENERGIZED, THE HIGHER SPEED SETTING IS USED.
- FOR 208 VOLT TRANSFORMER OPERATION MOVE BLACK WIRES FROM TERMINAL 3 TO TERMINAL 2 ON TRANSFORMER.
- USE COPPER CONDUCTORS ONLY
++ USE N.E.C. CLASS 2 WIRE
- ECONOMIZER PLUG LOCATED IN THE RETURN AIR COMPARTMENT. REMOVE MALE PLUG AND ATTACH FEMALE PLUG TO ECONOMIZER ACCESSORY.
- CRANKCASE HEATER AND CRANKCASE HEATER SWITCH FACTORY EQUIPPED WHEN REQUIRED. SEE UNIT RATING PLATE FOR TYPE AND SIZE OF OVER CURRENT PROTECTION

WIRING LEGEND

JUNCTION	—+—	EQUIPMENT GROUND	—GND—
TERMINAL	— —	FIELD GROUND	—GND—
INTERNAL TO INTEGRATED CONTROL	— —	FIELD SPLICE	—Y—
PLUG CONNECTION	— —	SWITCH (PRESS.)	—S—
SWITCH (PRESS.)	—S—	SWITCH (TEMP)	—T—
OVERCURRENT PROT. DEVICE	— —	IGNITER	—I—

208-240/3/60 0140L05411-A

FACTORY WIRING

— LINE VOLTAGE
— LOW VOLTAGE
— OPTIMAL HIGH VOLTAGE
— OPTIMAL LOW VOLTAGE

FIELD WIRING

— HIGH VOLTAGE
— LOW VOLTAGE

WIRE CODE

BK BLACK
BL BLUE
BR BROWN
GR GREEN
RD RED
PK PINK
PU PURPLE
OR ORANGE
WH WHITE
YL YELLOW

THERMOSTAT ++ FIELD WIRING

NO ECONOMIZER

1	— WH —	W
2	— GR —	G
3	— RD —	R
4	— YL —	Y
5	— BL —	C
6	— OR —	O
7	— STAT	

WITH ECONOMIZER OPTION

1	— WH —	W
2	— GR —	G
3	— RD —	R
4	— YL —	Y
5	— BL —	C
6	— OR —	O
7	— STAT	

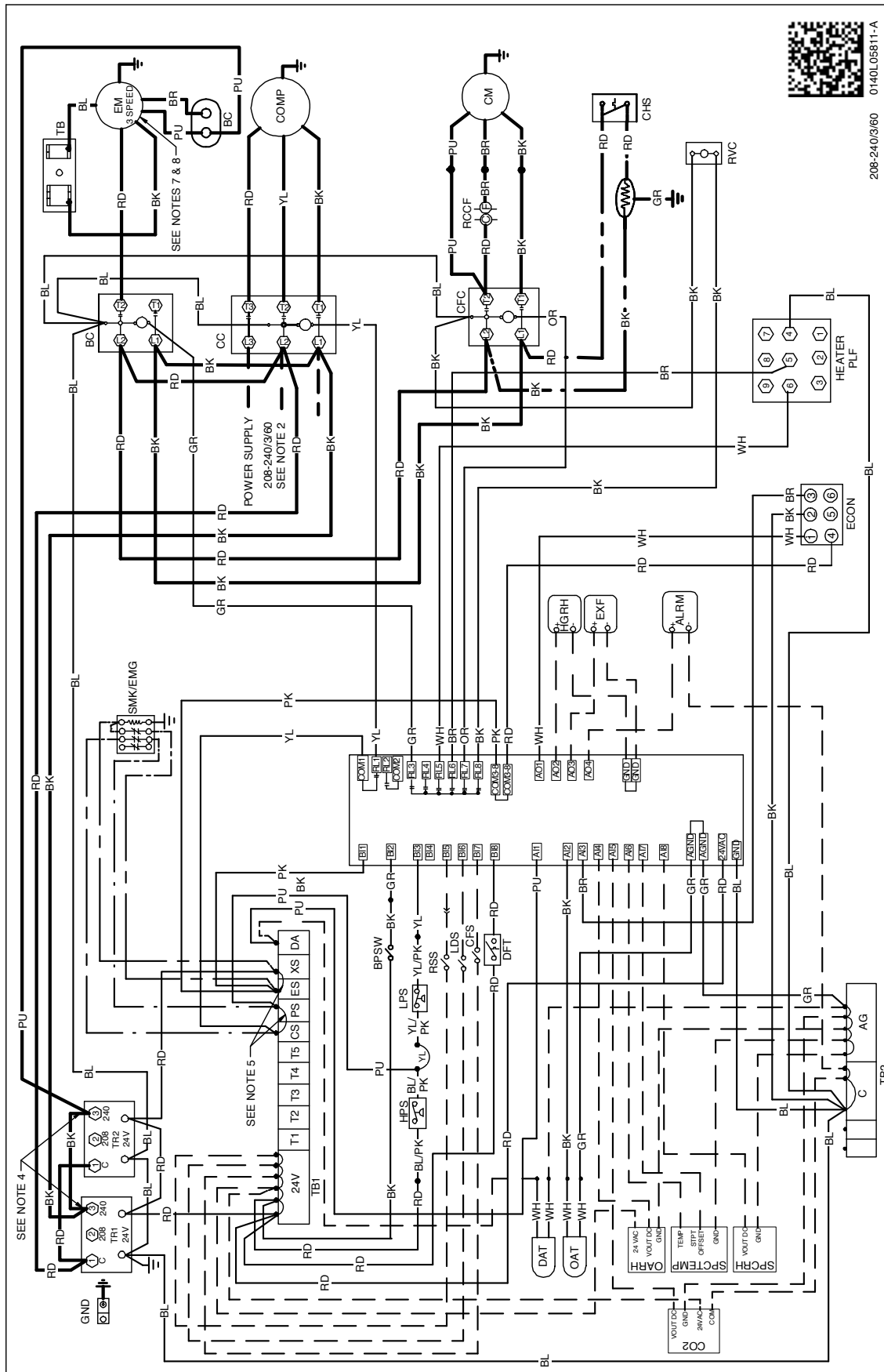
2 STAGE COOLING

1	— WH —	W
2	— GR —	G
3	— RD —	R
4	— YL —	Y1
5	— PK —	Y2
6	— BL —	C
7	— OR —	O
8	— STAT	

Wiring is subject to change. Always refer to the wiring diagram on the unit for the most up-to-date wiring.

WIRING DIAGRAMS FOR MODELS WITH DDC CONTROLS

FOR COMPLETE INFORMATION AND INSTALLATION INSTRUCTIONS FOR MODELS
WITH DDC CONTROLS, SEE MANUAL DK-DDC-TGD-XXX

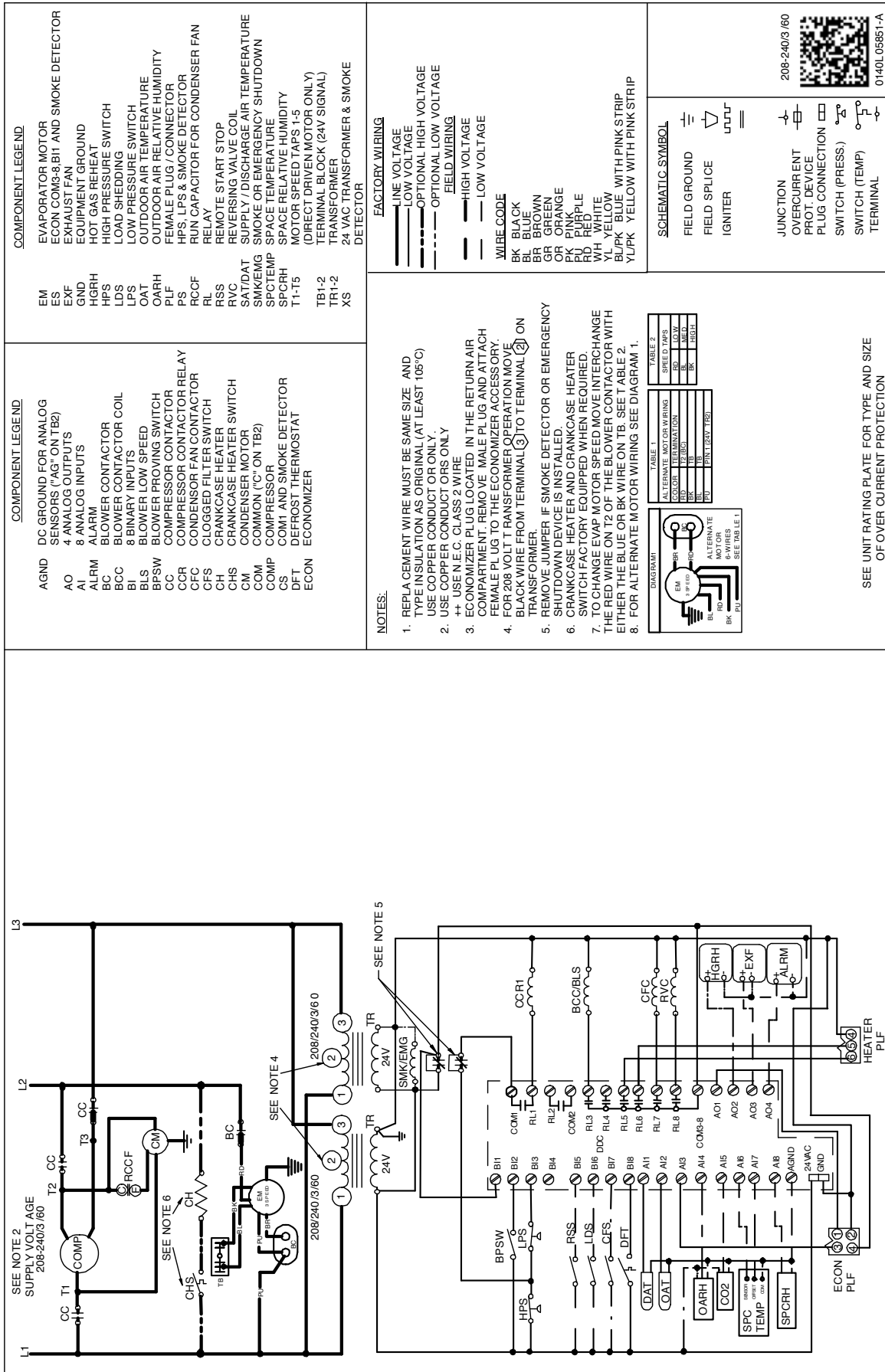


208-240/3/60 0140L05811-A

WARNING

High Voltage: Disconnect all power before servicing or installing this unit. Multiple power sources may be present. Failure to do so may cause property damage, personal injury, or death.

Wiring is subject to change. Always refer to the wiring diagram on the unit for the most up-to-date wiring.



COMPONENT LEGEND

- EM EVAPORATOR MOTOR
- ES ECON COMB-B/B1 AND SMOKE DETECTOR
- EXF EXHAUST FAN
- GND EQUIPMENT GROUND
- HGRH HOT GAS REHEAT
- HPS HIGH PRESSURE SWITCH
- LDS LOAD SHEDDING
- LPS LOW PRESSURE SWITCH
- OAT OUTDOOR AIR TEMPERATURE
- OARH OUTDOOR AIR RELATIVE HUMIDITY
- PLF FEMALE PLUG / CONNECTOR
- PS HPS & SMOKE DETECTOR
- RCCF RUN CAPACITOR FOR CONDENSER FAN RELAY
- RL REMOTE START STOP
- RSS REVERSING VALVE COIL
- RVC SUPPLY / DISCHARGE AIR TEMPERATURE
- SAT/DAT SMOKE OR EMERGENCY SHUTDOWN
- SMK/EMG SPACE TEMPERATURE
- SPCRH SPACE RELATIVE HUMIDITY
- T1-T5 MOTOR SPEED TAPS 1-5
- TR1-2 (DIRECT DRIVEN MOTOR ONLY) TRANSFORMER
- XS 24 VAC TRANSFORMER & SMOKE DETECTOR

COMPONENT LEGEND

- AGND DC GROUND FOR ANALOG
- AO SENSORS ("AG" ON TB2)
- AI 4 ANALOG OUTPUTS
- ALRM ALARM
- BC BLOWER CONTACTOR
- BCC BLOWER CONTACTOR COIL
- BI 8 BINARY INPUTS
- BLS BLOWER LOW SPEED
- BPSW BLOWER PROVING SWITCH
- CC COMPRESSOR CONTACTOR
- CCR COMPRESSOR CONTACTOR RELAY
- CFC CLOGGED FILTER SWITCH
- CFS CLOGGED FILTER SWITCH
- CHS CRANKCASE HEATER SWITCH
- CH CRANKCASE HEATER
- CM CONDENSER MOTOR
- COM COMMON ("C" ON TB2)
- COMP COMPRESSOR
- CS COM1 AND SMOKE DETECTOR
- DFT DEFROST THERMOSTAT
- ECON ECONOMIZER

FACTORY WIRING

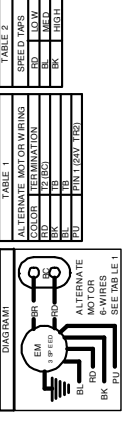


WIRE CODE

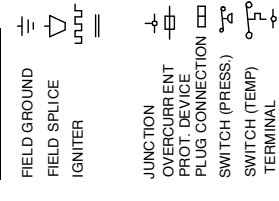
- BK BLACK
- BL BLUE
- BR BROWN
- GR GREEN
- OR ORANGE
- PK PURPLE
- RD RED
- WH WHITE
- YL YELLOW
- BL/PK BLUE WITH PINK STRIP
- YL/PK YELLOW WITH PINK STRIP

NOTES:

1. REPLACEMENT WIRE MUST BE SAME SIZE AND TYPE INSULATION AS ORIGINAL (AT LEAST 105°C) USE COPPER CONDUCT OR ONLY.
2. USE COPPER CONDUCT OFS ONLY.
3. ECONOMIZER PLUG LOCATED IN THE RETURN AIR COMPARTMENT. REMOVE MALE PLUG AND ATTACH FEMALE PLUG TO THE ECONOMIZER ACCESSORY.
4. FOR 208 VOLT TRANSFORMER OPERATION MOVE BLACK WIRE FROM TERMINAL (3) TO TERMINAL (2) ON TRANSFORMER.
5. REMOVE JUMPER IF SMOKE DETECTOR OR EMERGENCY SHUTDOWN DEVICE IS INSTALLED.
6. CRANKCASE HEATER AND CRANKCASE HEATER SWITCH FACTORY EQUIPPED WHEN REQUIRED.
7. TO CHANGE EVAP. MOTOR SPEED MOVE INTERCHANGE THE RED WIRE ON T2 OF THE BLOWER CONTACTOR WITH EITHER THE BLUE OR BK WIRE ON TB. SEE TABLE 2.
8. FOR ALTERNATE MOTOR WIRING SEE DIAGRAM 1.



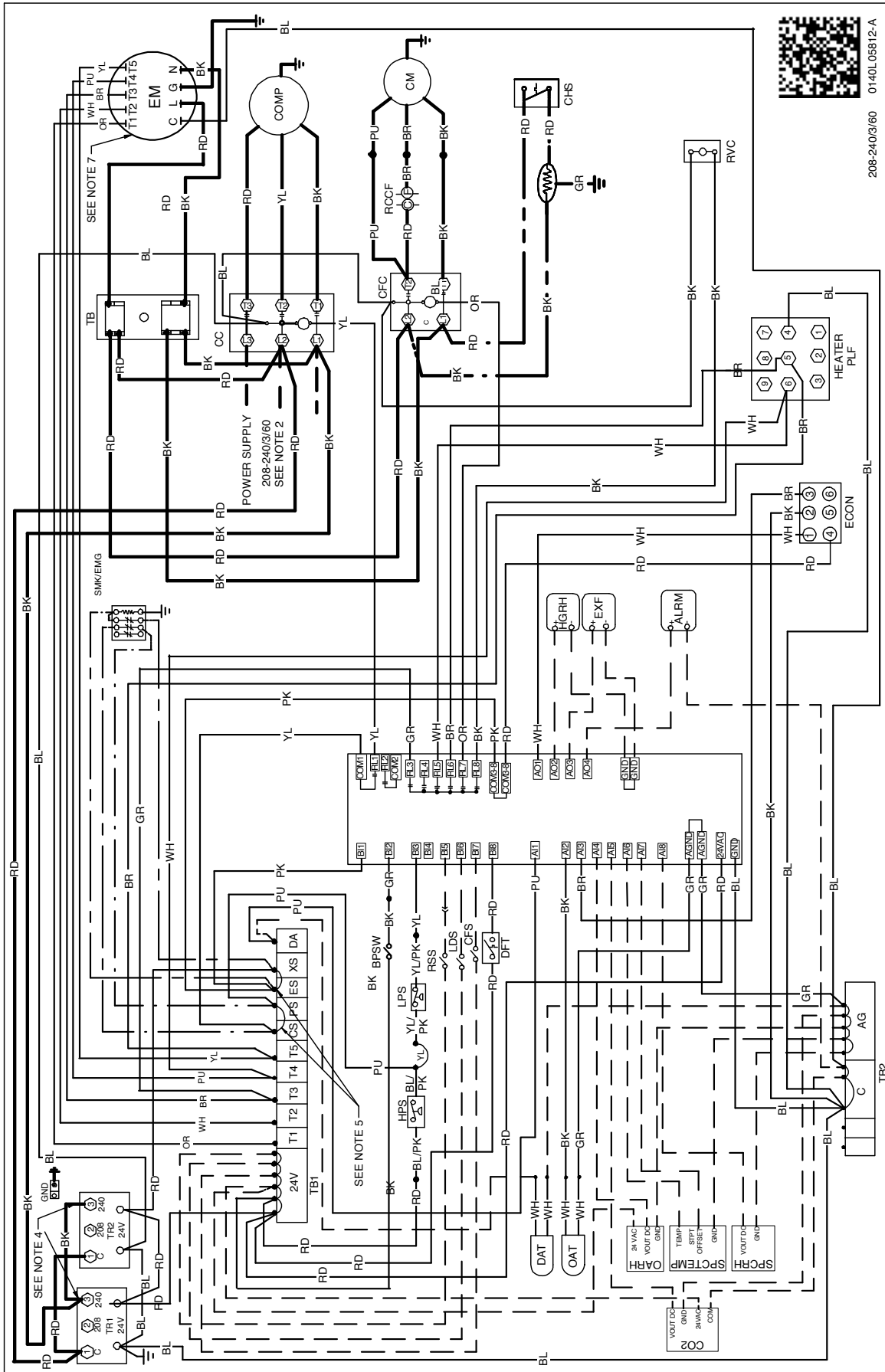
SCHEMATIC SYMBOL



SEE UNIT RATING PLATE FOR TYPE AND SIZE OF OVER CURRENT PROTECTION

Wiring is subject to change. Always refer to the wiring diagram on the unit for the most up-to-date wiring.

WARNING
High Voltage: Disconnect all power before servicing or installing this unit. Multiple power sources may be present. Failure to do so may cause property damage, personal injury, or death.



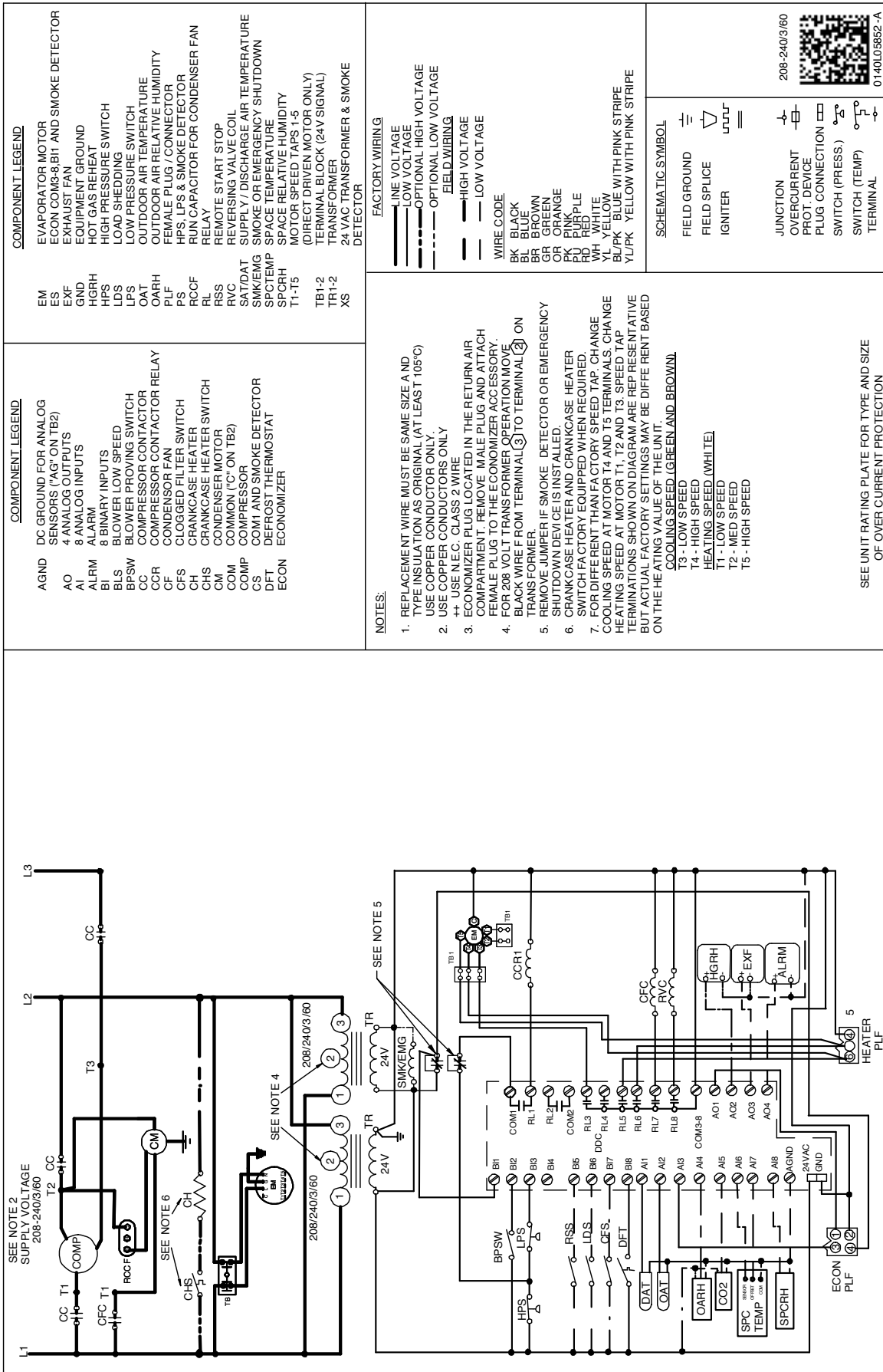
208-240/3/60 0140L05812-A



High Voltage: Disconnect all power before servicing or installing this unit. Multiple power sources may be present. Failure to do so may cause property damage, personal injury, or death.



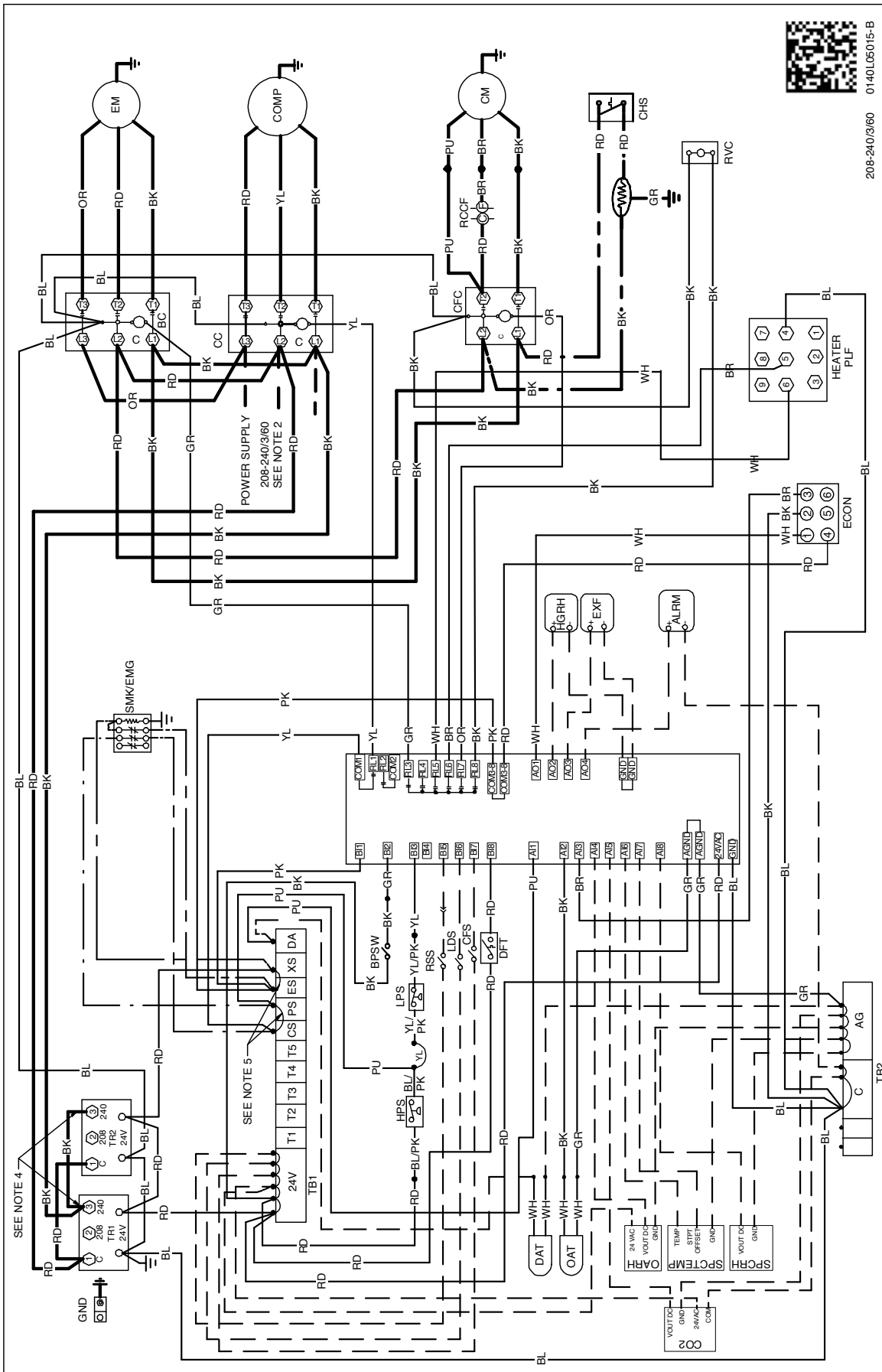
Wiring is subject to change. Always refer to the wiring diagram on the unit for the most up-to-date wiring.



WARNING

High Voltage: Disconnect all power before servicing or installing this unit. Multiple power sources may be present. Failure to do so may cause property damage, personal injury, or death.

Wiring is subject to change. Always refer to the wiring diagram on the unit for the most up-to-date wiring.



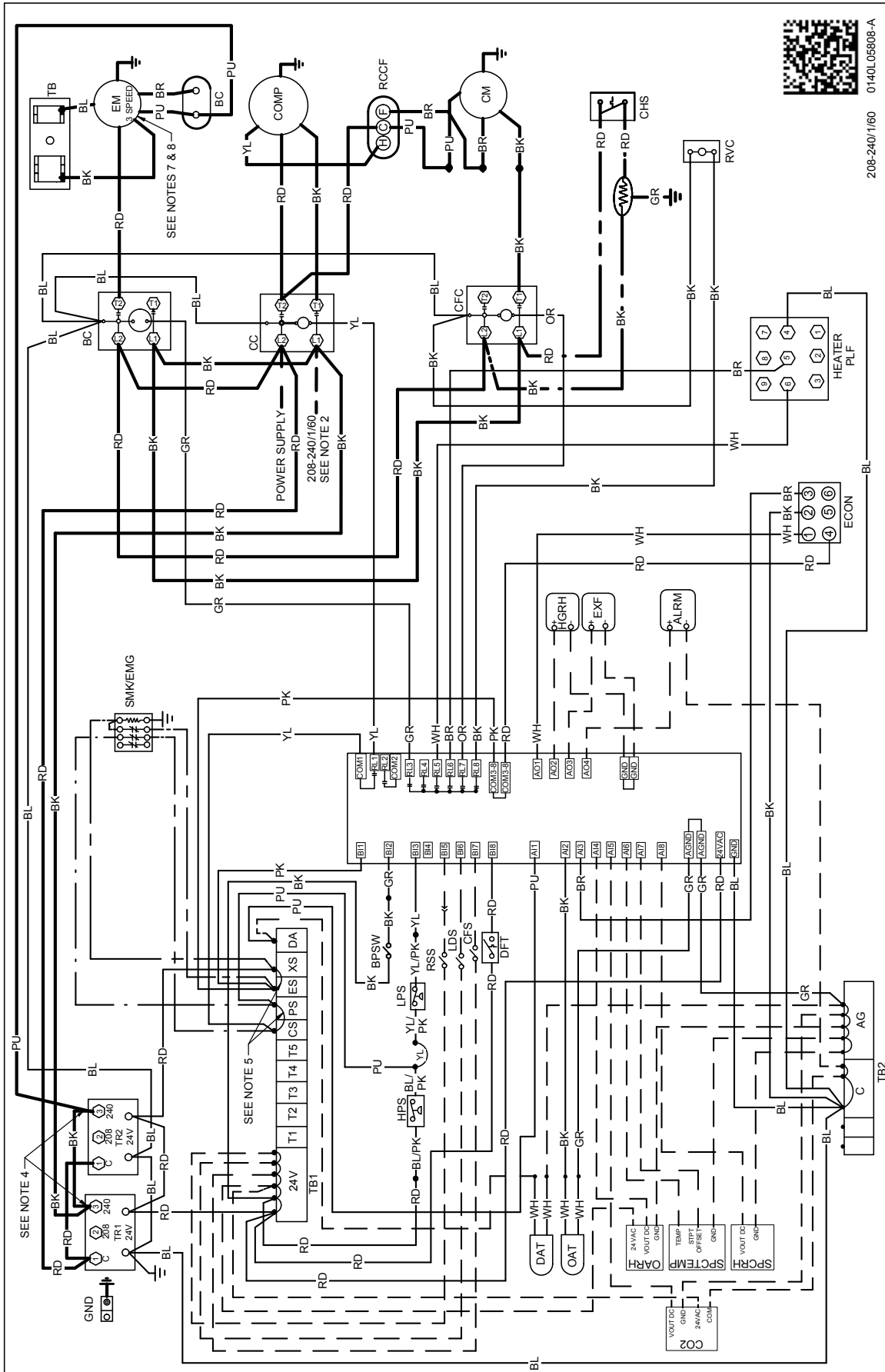
208-240/3/60

01-40L05015-B

WARNING

High Voltage: Disconnect all power before servicing or installing this unit. Multiple power sources may be present. Failure to do so may cause property damage, personal injury, or death.

Wiring is subject to change. Always refer to the wiring diagram on the unit for the most up-to-date wiring.

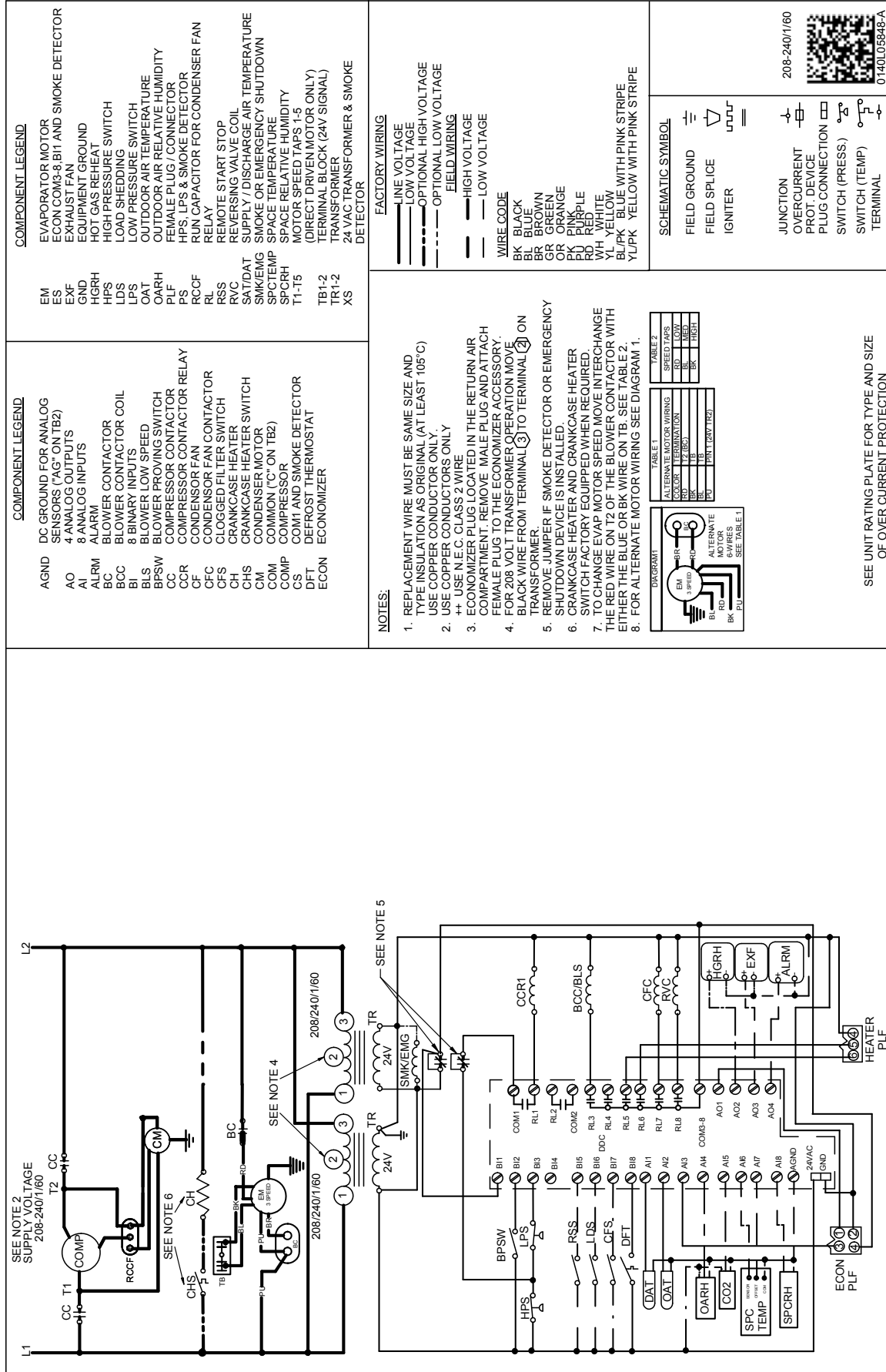


208-240/1/60 0140L05808-A

WARNING

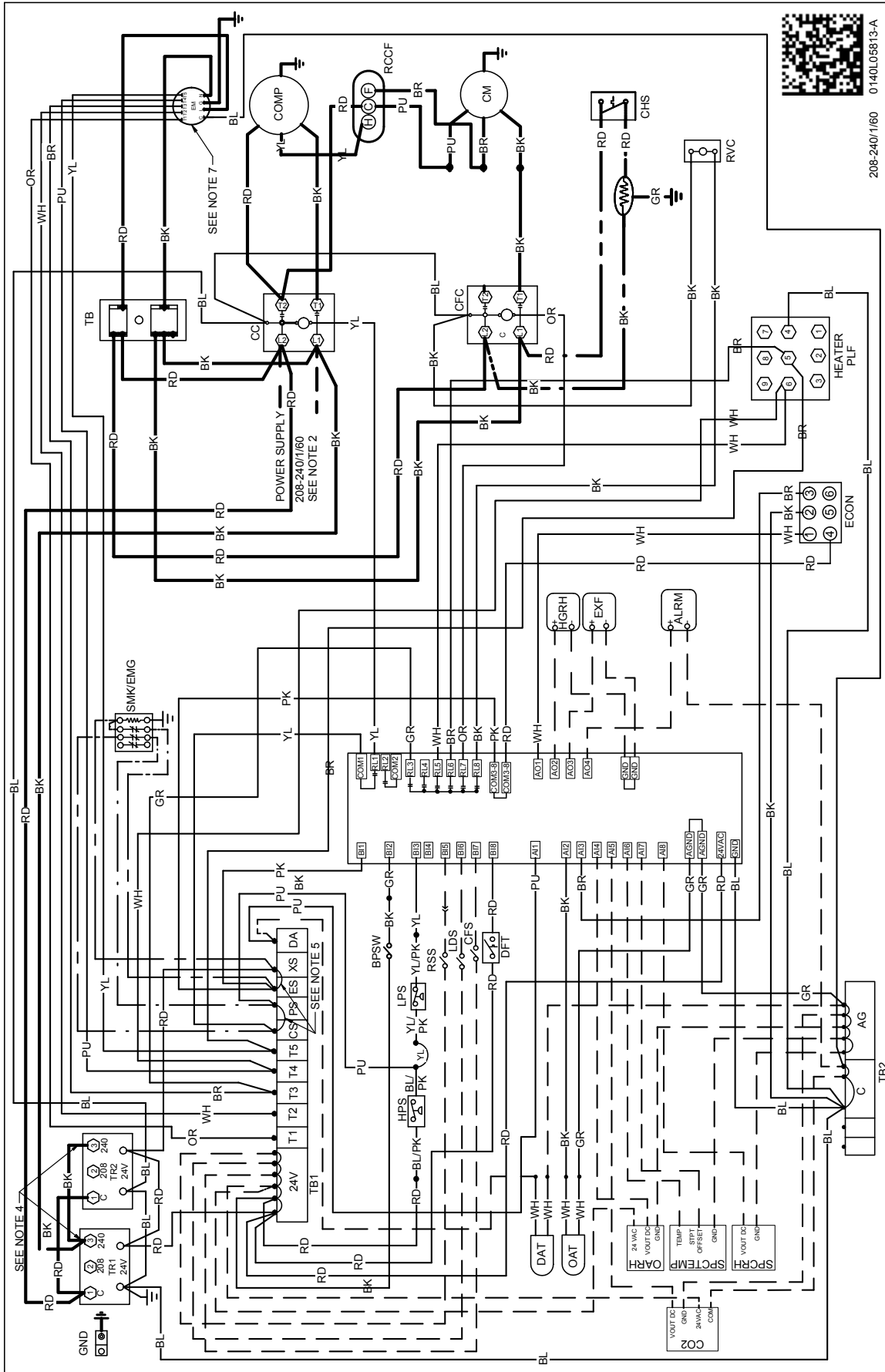
High Voltage: Disconnect all power before servicing or installing this unit. Multiple power sources may be present. Failure to do so may cause property damage, personal injury, or death.

Wiring is subject to change. Always refer to the wiring diagram on the unit for the most up-to-date wiring.



WARNING

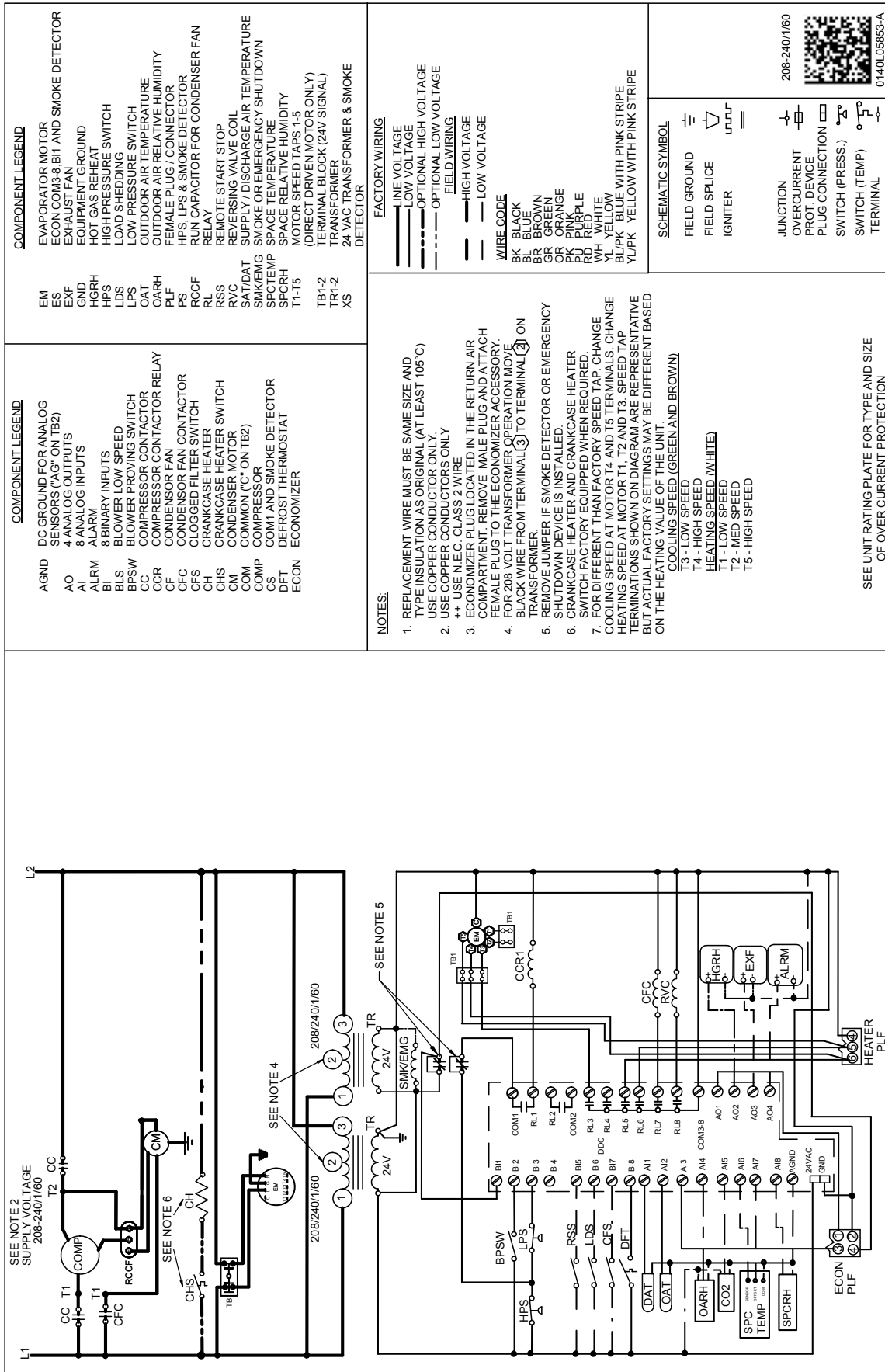
High Voltage: Disconnect all power before servicing or installing this unit. Multiple power sources may be present. Failure to do so may cause property damage, personal injury, or death.



WARNING

High Voltage: Disconnect all power before servicing or installing this unit. Multiple power sources may be present. Failure to do so may cause property damage, personal injury, or death.

Wiring is subject to change. Always refer to the wiring diagram on the unit for the most up-to-date wiring.



COMPONENT LEGEND	COMPONENT LEGEND
EVAPORATOR MOTOR ECON COM3-B1 AND SMOKE DETECTOR EXHAUST FAN EQUIPMENT GROUND HOT GAS REHEAT HIGH PRESSURE SWITCH LOAD SHEDDING LOW PRESSURE SWITCH OUTDOOR AIR TEMPERATURE OUTDOOR AIR RELATIVE HUMIDITY FEMALE PLUG / CONNECTOR HPS, LPS & SMOKE DETECTOR RUN CAPACITOR FOR CONDENSER FAN RELAY REMOTE START STOP REVERSING VALVE COIL SUPPLY / DISCHARGE AIR TEMPERATURE SMOKE OR EMERGENCY SHUTDOWN SPACE TEMPERATURE SPACE RELATIVE HUMIDITY MOTOR SPEED TAPS 1-5 (DIRECT DRIVEN MOTOR ONLY) TERMINAL BLOCK (24V SIGNAL) TRANSFORMER 24 VAC TRANSFORMER & SMOKE DETECTOR	DC GROUND FOR ANALOG SENSORS ("AG" ON TB2) 4 ANALOG OUTPUTS 8 ANALOG INPUTS ALARM 8 BINARY INPUTS BLS BLOWER LOW SPEED BLOWER PROVING SWITCH COMPRESSOR CONTACTOR COMPRESSOR CONTACTOR RELAY CONDENSOR FAN CONTACTOR CLOGGED FILTER SWITCH CRANKCASE HEATER CRANKCASE HEATER SWITCH CONDENSER MOTOR COMMON ("C" ON TB2) COMPRESSOR COM1 AND SMOKE DETECTOR DEFROST THERMOSTAT ECONOMIZER

FACTORY WIRING	WIRE CODE
LINE VOLTAGE LOW VOLTAGE OPTIONAL HIGH VOLTAGE OPTIONAL LOW VOLTAGE FIELD WIRING HIGH VOLTAGE LOW VOLTAGE	BK BLACK BR BROWN GR GREEN OR ORANGE PK PINK PU PURPLE RD RED WH WHITE YL YELLOW BL/PK BLUE WITH PINK STRIPE YL/PK YELLOW WITH PINK STRIPE

SCHEMATIC SYMBOL	208-240/1/60
FIELD GROUND FIELD SPLICE IGNITER JUNCTION OVERCURRENT PROT DEVICE PLUG CONNECTION SWITCH (PRESS) SWITCH (TEMP) TERMINAL	0140L05853-A

NOTES:

- REPLACEMENT WIRE MUST BE SAME SIZE AND TYPE INSULATION AS ORIGINAL (AT LEAST 105°C) USE COPPER CONDUCTOR ONLY.
- USE COPPER CONDUCTORS ONLY
- ECONOMIZER PLUG LOCATED IN THE RETURN AIR FEMALE PLUG TO THE ECONOMIZER ACCESSORY.
- FOR 208 VOLT TRANSFORMER OPERATION MOVE BLACK WIRE FROM TERMINAL ② TO TERMINAL ③ ON TRANSFORMER.
- REMOVE JUMPER IF SMOKE DETECTOR OR EMERGENCY SHUTDOWN DEVICE IS INSTALLED.
- CRANKCASE HEATER AND CRANKCASE HEATER SWITCH FACTORY EQUIPPED WHEN REQUIRED.
- FOR DIFFERENT THAN FACTORY SPEED TAP CHANGE COOLING SPEED AT MOTOR T1, T2 AND T3. SPEED TAP HEATING SPEED AT MOTOR T4 AND T5 TERMINALS. CHANGE TERMINATIONS SHOWN ON DIAGRAM ARE REPRESENTATIVE BUT ACTUAL FACTORY SETTINGS MAY BE DIFFERENT BASED ON THE HEATING VALUE OF THE UNIT.

T3 - LOW SPEED
 T4 - HIGH SPEED
 HEATING SPEED (WHITE)
 T1 - LOW SPEED
 T2 - MED SPEED
 T5 - HIGH SPEED

SEE UNIT RATING PLATE FOR TYPE AND SIZE OF OVER CURRENT PROTECTION

WARNING

High Voltage: Disconnect all power before servicing or installing this unit. Multiple power sources may be present. Failure to do so may cause property damage, personal injury, or death.

Wiring is subject to change. Always refer to the wiring diagram on the unit for the most up-to-date wiring.

DAIKIN MASTER ITEM #	DESCRIPTION	FITS MODEL SIZES	FIELD- INSTALLED	FACTORY- INSTALLED	OPERATING WEIGHT (LBS)
	Curb				
14CURB3672B	14" Roof Curb	3-5 Tons	√		86
18CURB3672B	18" Roof Curb	3-5 Tons	√		100
24CURB3672B	24" Roof Curb	3-5 Tons	√		128
GHRC-3672	Hurricane Restraint Clips	3-5 Tons	√		2
	Ultra Low-Leak Economizer & Power Exhaust¹				
10-455-09A-23	Centrifugal Power Exhaust 230v	3-5 Tons	√		60
10-455-09A-33	Centrifugal Power Exhaust 460v	3-5 Tons	√		60
01-450-02	Barometric Relief to the Horizontal Economizer	3-5 Tons	√		30
1036609C	Ultra Low-Leak Downflow Economizer w/ Enthalpy	3-5 Tons	√	√	71
10-396-09	Ultra Low-Leak Horizontal Economizer w/ Enthalpy	3-5 Tons	√		71
10-465-09B-21	Prop Power Exhaust 230v	3-5 Tons	√		55
10-465-09B-31	Prop Power Exhaust 460v	3-5 Tons	√		55
10-465-09B-41	Prop Power Exhaust 575v	3-5 Tons	√		55
	Low-Leak Economizer & Power Exhaust²				
DDNECNJ3672C	Low-Leak Downflow Economizer	3-5 Tons	√	√	82
DPE36722	Downflow Power Exhaust (208/230 Volt)	3-5 Tons	√		55
DPE36724	Downflow Power Exhaust (460 Volt)	3-5 Tons	√		55
DPE36727	Downflow Power Exhaust (575v)	3-5 Tons	√		55
DINH3672B	Horizontal Economizer, Internally Mounted	3-5 Tons	√		90
DHZECNJ3672	Horizontal Economizer	3-5 Tons	√		70
DHPE36722	Horizontal Power Exhaust (208/230 Volt)	3-5 Tons	√		55
DHPE36724	Horizontal Power Exhaust (460 Volt)	3-5 Tons	√		55
DHPE36727	Horizontal Power Exhaust (575 Volt)	3-5 Tons	√		55
	Downflow Accessories				
D25FD3672	25% Manual Fresh Air Damper	3-5 Tons	√		12
D25MFD3672	25% Motorized Fresh Air Damper	3-5 Tons	√		16
DNBBS3672B	Burglar Bar Sleeves with Supply & Return	3-5 Tons	√		30
DDNECNJ3672NR	Downflow Economizer ² w/o Barometric Relief	3-5 Tons	√		77
DDNSQRD3616	Downflow Square-to-Round Adapter (16" Round)	3 tons	√		45
DDNSQRD487218	Downflow Square-to-Round Adapter (18" Round)	4-5 tons	√		35
	Horizontal Accessories				
DBRD3672	Barometric Relief Damper	3-5 Tons	√		15
	Concentrics				
CDK36	Concentric Duct Kit	3 Ton	√		27
CDK36515	Flush Mount Concentric Duct Kit w/ Filter	3 Ton	√		28
CDK36530	Step Down Concentric Duct Kit	3 Ton	√		27
CDK36535	Step Down Concentric Duct Kit w/ Filter	3 Ton	√		28

DAIKIN MASTER ITEM #	DESCRIPTION	FITS MODEL SIZES	FIELD- INSTALLED	FACTORY- INSTALLED	OPERATING WEIGHT (LBS)
CDK4872	Concentric Duct Kit	4-5 Ton	√		27
CDK4872515	Flush Mount Concentric Duct Kit w/ Filter	4-5 Ton	√		28
CDK4872530	Step Down Concentric Duct Kit	4-5 Ton	√		27
CDK4872535	Step Down Concentric Duct Kit w/ Filter	4-5 Ton	√		28
	DDC Accessories³				
	DDC communicating controller (built-in BACnet® MS/TP) includes Standard Room Sensor to be installed in field	3-5 Tons		√	2
10366D09C	DDC Ultra Low-Leak Downflow Economizer	3-5 Tons	√	√	71
10396D09	DDC Ultra Low-Leak Horizontal Economizer	3-5 Tons	√		71
10465DDC	Power Exhaust kit used with DDC Ultra Low-Leak Economizer	3-5 tons	√		1
DLAKT01	Low-Ambient	3-5 Tons	√	√	2
LONKT01	LonWorks® card	3-5 Tons	√		1
3PMK01	Phase Monitor (3-Phase Only)	3-5 Tons	√	√	2
DFSKT01	Dirty Filter Switch	3-5 Tons	√		1
	1 phase 208-230V Electric Heat Kits				
SPKT01	Single Point Wiring Kit 1phase Heat Kits	3-5 Tons	√	√	3
EHK1-10	10kw 208-230v 1ph Electric Heat Kit	3-5 Tons	√	√	21
EHK1-15	15kw 208-230v 1ph Electric Heat Kit	3-5 Tons	√	√	21
EHK1-18	18kw 208-230v 1ph Electric Heat Kit	4 tons	√	√	21
EHK1-20	20kw 208-230v 1ph Electric Heat Kit	5 tons	√	√	21
	3 phase 208-230V Electric Heat Kits				
SPKT02	Single Point Wiring Kit 3phase Heat Kits	3-5 Tons	√	√	3
EHK3-10	10kw 208-230 3ph Electric Heat Kit	3-5 Tons	√	√	21
EHK3-15	15kw 208-230 3ph Electric Heat Kit	3-5 Tons	√	√	21
EHK3-18	18kw 208-230 3ph Electric Heat Kit	4 tons	√	√	21
EHK3-20	20kw 208-230 3ph Electric Heat Kit	5 tons	√	√	21
	3 phase 460V Electric Heat Kits				
EHK4-10	10kw 460v 3ph Electric Heat Kit	3-5 Tons	√	√	21
EHK4-15	15kw 460v 3ph Electric Heat Kit	3-5 Tons	√	√	21
EHK4-18	18kw 460v 3ph Electric Heat Kit	4 tons	√	√	21
EHK4-20	20kw 460v 3ph Electric Heat Kit	5 tons	√	√	21
	3 phase 575V Electric Heat Kits				
EHK7-10	10kw 575v 3ph Electric Heat Kit	3-5 Tons	√	√	21
EHK7-15	15kw 575v 3ph Electric Heat Kit	3-5 Tons	√	√	21
EHK7-18	18kw 575v 3ph Electric Heat Kit	4 tons	√	√	21
EHK7-20	20kw 575v 3ph Electric Heat Kit	5 tons	√	√	21
	High-Static Kits⁴				
HSKTS036	High Static Kit - 230v & 460v	DS*, 3 Ton	√	√	2
HSKTS048	High Static Kit - 230v & 460v	DS*, 4 Ton	√	√	38

DAIKIN MASTER ITEM #	DESCRIPTION	FITS MODEL SIZES	FIELD- INSTALLED	FACTORY- INSTALLED	OPERATING WEIGHT (LBS)
HSKTS060	High Static Kit - 230v & 460v	DS*, 5 Ton	√	√	38
HSKTS036-7	High Static Kit - 575v	DS*, 3 Ton	√	√	2
HSKTS048-7	High Static Kit - 575v	DS*, 4 Ton	√	√	5
HSKTS060-7	High Static Kit - 575v	DS*, 5 Ton	√	√	38
	Crankcase Heater Kits				
0163R00002S	40W 230V	3 tons	√		1
0163R00031	40W 460V	3 tons	√		1
0163R00032	40W 575V	3 tons	√		1
0130L00017S	70W 230V	4- 5 tons	√		1
0130L00018S	70W 460V	4- 5 tons	√		1
0130L00019S	70W 575V	4- 5 tons	√		1
	High Efficiency Filters				
0160L00203	High Efficiency MERV 13 Air Filter Nom. Size: 24x24x2; (Order Qty 1)	3 tons	√		2
0160L00204	High Efficiency MERV 13 Air Filter Nom. Size: 14x20x2; (Order Qty 4)	4 tons	√		4
0160L00205	High Efficiency MERV 13 Air Filter Nom. Size: 16x20x2; (Order Qty 4)	5 tons	√		4
	Misc Accessories				
HAILGD03D	Condenser Coil Hail Guard	3-4 tons	√		19
HAILGD04D	Condenser Coil Hail Guard	5 tons	√		19
	Convenience Outlet: Non Powered	3-5 tons		√	2
	Convenience Outlet: Powered	3-5 tons		√	42
	Disconnect Switch	3-5 tons		√	5
LAKT11	Low Ambient Kit, 208-230V- non-DDC	3-5 tons	√	√	14
LAKT13	Low Ambient Kit, 460V- non-DDC	3-5 tons	√	√	14
LAKT14	Low Ambient Kit, 575V- non-DDC	3-5 tons	√	√	14
3PMNDK01	Phase Monitor- Non DDC	3-5 Ton	√	√	2
	Smoke Detector (supply and/or return air)	3-5 Ton		√	11
	Hinged Panels	3-5 Ton		√	10
FSK01A	Freeze Stat Kit	3-5 Ton	√		1
IRKT-01	Isolation Relay Kit	3-5 Ton	√		2

¹ Use Economizer & Power Exhaust listed within Ultra Low-Leak section

² Use Economizer & Power Exhaust listed within Low-Leak section

³ For a full list of DDC accessories, please refer to DDC Controller Technical Guide manual (DK-DDC-TGD-01B)

⁴ HSKT High-Static Kits are for use with standard single-speed belt-drive units only.

Note: Where multiple variations are available, the heaviest combination is listed.

