

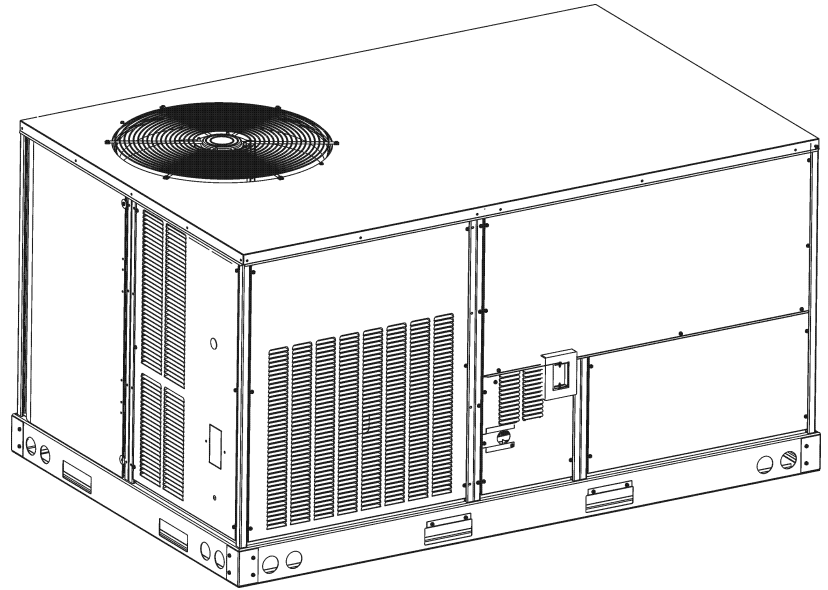
Commercial 4 Ton Direct Drive Package Gas Units

DSG0480901DXXXAA

DSG0480903DXXXAA

DSG0481151DXXXAA

DSG0481153DXXXAA



This manual is to be used by qualified technicians only.

© 2016 **DAIKIN COMPANY, L.P.** ♦ 5151 San Felipe St., Suite 500 ♦ Houston, TX 77056

Important Information

Index

Functional Parts List	3
Illustration and Parts	4 - 13

Views shown are for parts illustrations only, not servicing procedures

Text Codes:

AR - As Required

NA - Not Available

NS - Not Shown

00000000 - See Note

QTY - Quantity Example (QTY 3) (If Quantity not shown, Quantity = 1)

M - Model Example (M1) (If M Code not shown, then part is used on all Models)

Expanded Model Nomenclature:

Example M1 - Model#1 M2 - Model#2 M3 - Model#3

Daikin Company, L.P. is not responsible for personal injury or property damage resulting from improper service. Review all service information before beginning repairs.

Warranty service must be performed by an authorized technician, using authorized factory parts. If service is required after the warranty expires, Daikin Company, L.P. also recommends contacting an authorized technician and using authorized factory parts.

Daikin Company, L.P. reserves the right to discontinue, or change at any time, specifications or designs without notice or without incurring obligations.

For assistance within the U.S.A. contact:

Homeowner Support
Daikin North America, LLC
19001 Kermier Road
Waller, Texas 77484
855-770-5678-Telephone
713-863-2382-Facsimile

For assistance outside the U.S.A. contact:

International Division
Daikin North America, LLC
19001 Kermier Road
Waller, Texas 77484
713-861-2500-Telephone
713-863-2382-Facsimile

Functional Parts

Part

No: Description:

B1370155	AUXILIARY LIMIT SWITCH 120°F (M2)
20269903	AUXILIARY LIMIT, AUTO RESET
0163F00017	BECKETT BURNER (M1, M3)
10735102	BECKETT BURNER (M2, M4)
D6723303	BLOWER WHEEL
CAP200000440CP	CAP, 20 MFD/440V/ RD
CAP050000370LA	CAPACITOR 5/370V (M2, M4)
CAP050450440CT	CAPACITOR 5/45/440V/DUAL RD (M1, M3)
ZP39K5ETF5130	COMPRESSOR 39000, 200/230/60/3 (M2, M4)
ZP39K5EPFV130	COMPRESSOR 39000, 208/230/60/1 (M1, M3)
0131M00429	COND MOTOR 1/4 HP, 1 SP,6 PL
CONT3P025024V	CONTACTOR 25 AMP, 3P, 24V (M2, M4)
CONT1P030024V	CONTACTOR 30 AMP, 1P, 24V (M1, M3)
0130M00074	CUT-OUT SWITCH, HIGH PRESSURE
0130M00087	CUT-OUT SWITCH, LOW PRESSURE
0150G00004	FAN BLADE
0130F00010	FLAME SENSOR
0151F00000P	GAS VALVE - WHITE-RODGERS 2-STAGE
PCBAG123	IGNITION BOARD, DSI INTEGRATED
20261709	IGNITOR
0130F00105	LIMIT SWITCH (M1)
10123532	MANUAL RESET LIMIT 350°F
0131M00826	MOTOR, 3/4 HP PEP
11112501	PRESSURE SWITCH
0130M00063	PRIMARY LIMIT - GOLD 140° (M3)
20162904	PRIMARY LIMIT-TEMPERATURE CONTROL (M4)
0130M00138	TRANSFORMER 208/230, 24V

Expanded Model Nomenclature

M1 - DSG0480901DXXXAA
M2 - DSG0480903DXXXAA
M3 - DSG0481151DXXXAA
M4 - DSG0481153DXXXAA

Top Panel and Tubing Assembly

IMAGE 1

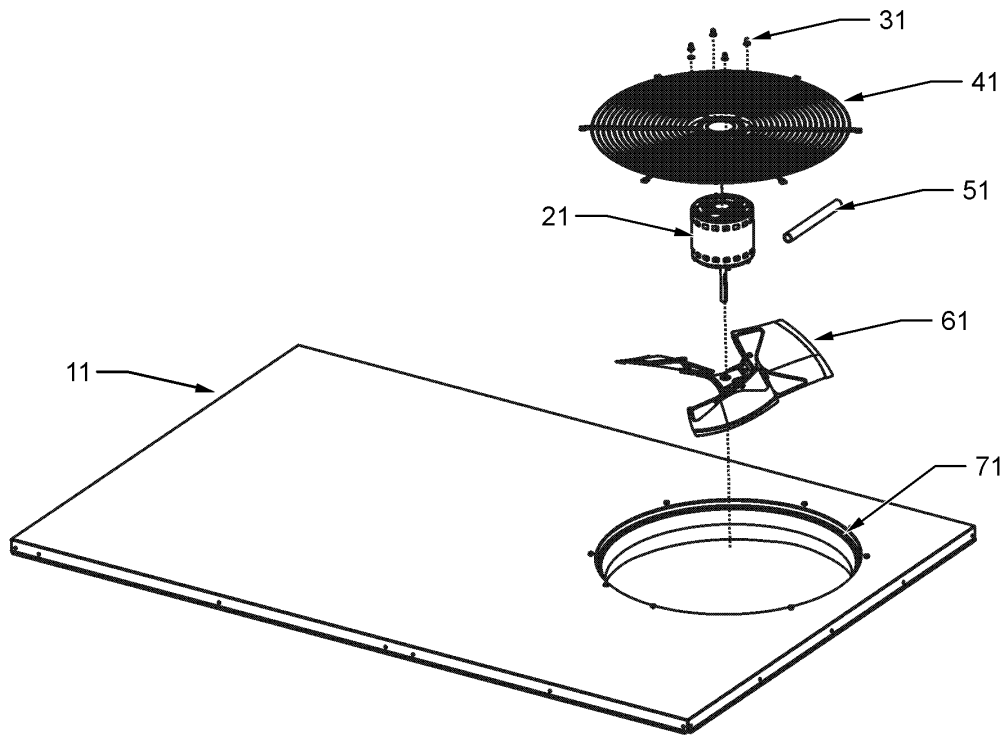
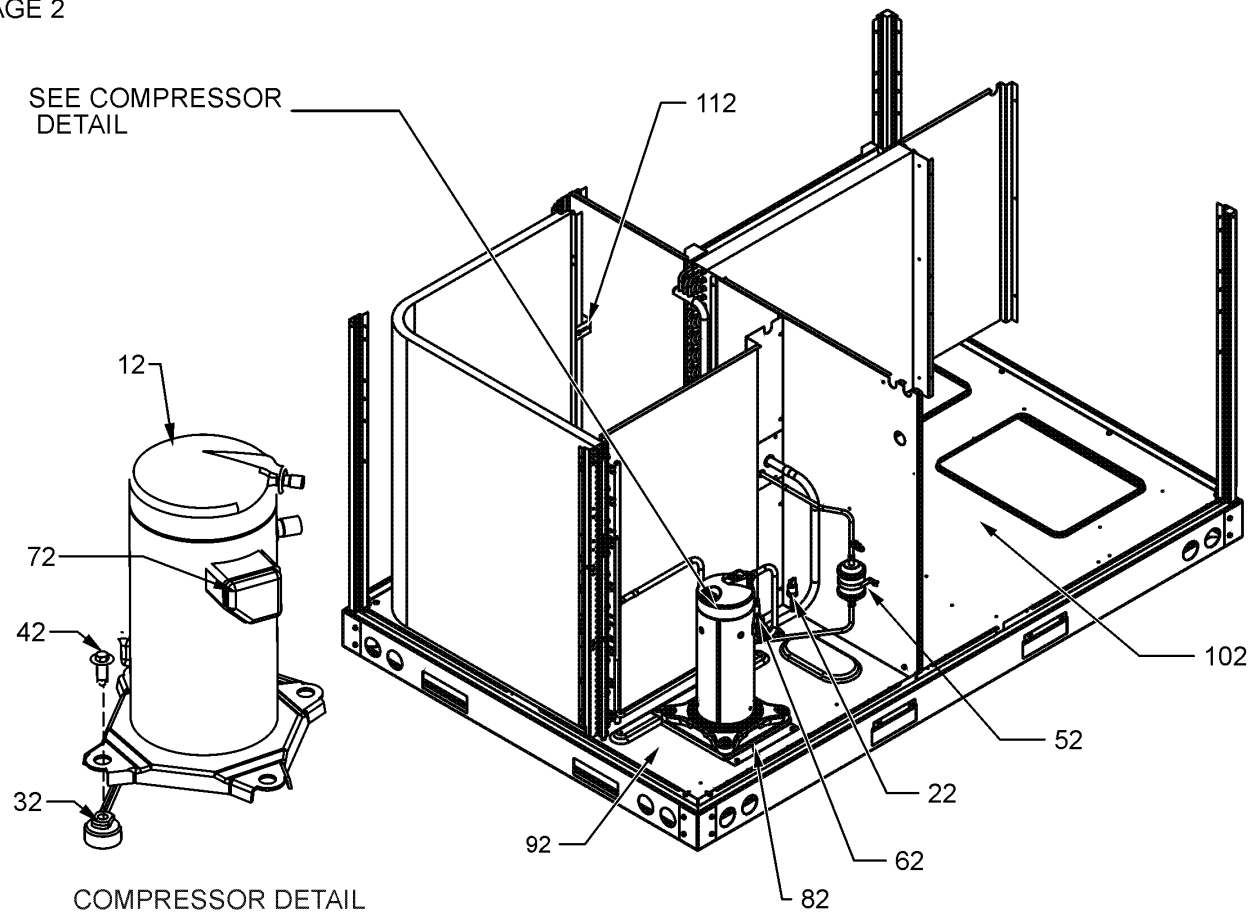


IMAGE 2



Top Panel and Tubing Assembly

Ref. Part No: No:	Description:	Ref. Part No: No:	Description:
-------------------	--------------	-------------------	--------------

Image 1:

11	0121L00235NG	TOP PANEL
21	0131M00429	COND MOTOR 1/4 HP, 1 SP,6 PL
31	0163M00006P	ACORN NUT 5/16 HEX BLACK (QTY 4)
41	0152G00003	FAN GRILLE
51	17788000083F	PVC CONDUIT 8.25"
61	0150G00004	FAN BLADE
71	0161L00000	VENTURI RING 22"
NS	0163M00004	SCREW #10X3/4", BLACK (QTY 3)
NS	0163M00005P	WASHER, BLACK (.50 OD .218ID) (QTY 4)

Image 2:

12	ZP39K5ETF5130	COMPRESSOR 39000, 200/230/60/3 (M2, M4)
12	ZP39K5EPFV130	COMPRESSOR 39000, 208/230/60/1 (M1, M3)
22	0130M00087	CUT-OUT SWITCH, LOW PRESSURE
32	B1339533	COMPRESSOR GROMMET (QTY 4)
42	M0221641	TF SHOULDER SCREW (QTY 4)
52	0162R00009	FILTER DRIER
62	0130M00074	CUT-OUT SWITCH, HIGH PRESSURE
72	0159L00027	COMPRESSOR SCROLL HARNESS (M1, M3)
72	0159L00065	COMPRESSOR SCROLL HARNESS (M2, M4)
82	0121L00310	COMPRESSOR MOUNTING PLATE
92	0121L01307	BASE PAN-OUTDOOR
102	0121L00943	BASE PAN-INDOOR
112	0121L00936	BRACKET-HAIRPIN END
NS	B1373315	ACCESS FITTING (QTY 2)

Expanded Model Nomenclature

M1 - DSG0480901DXXXAA
M2 - DSG0480903DXXXAA
M3 - DSG0481151DXXXAA
M4 - DSG0481153DXXXAA

Cabinet Assembly

IMAGE 1

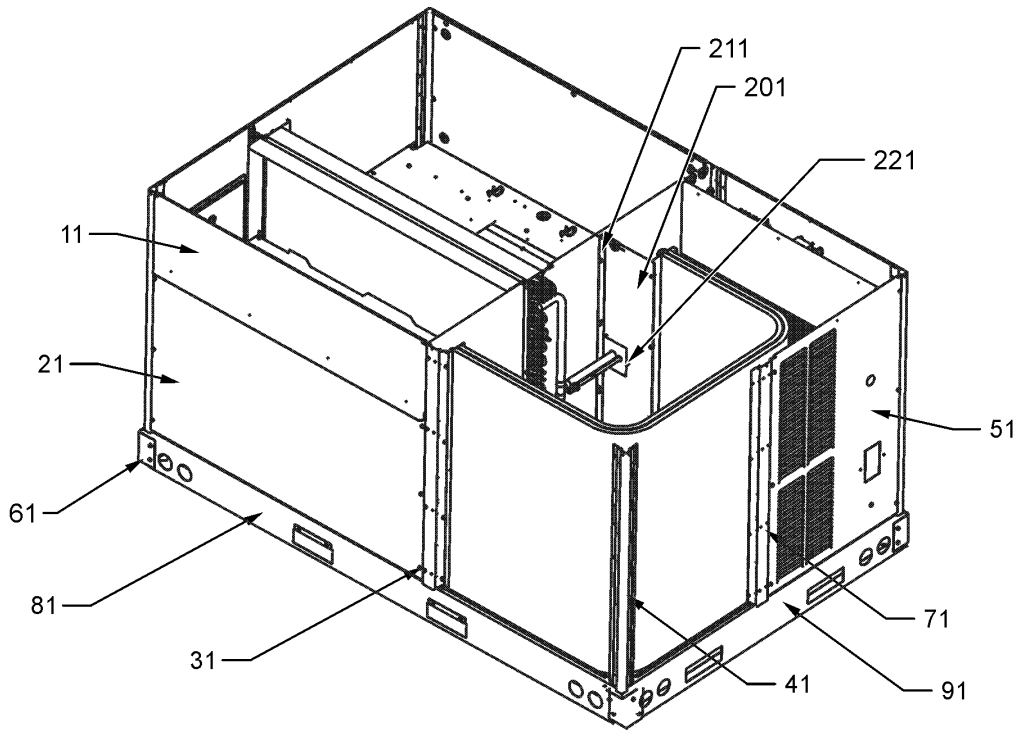
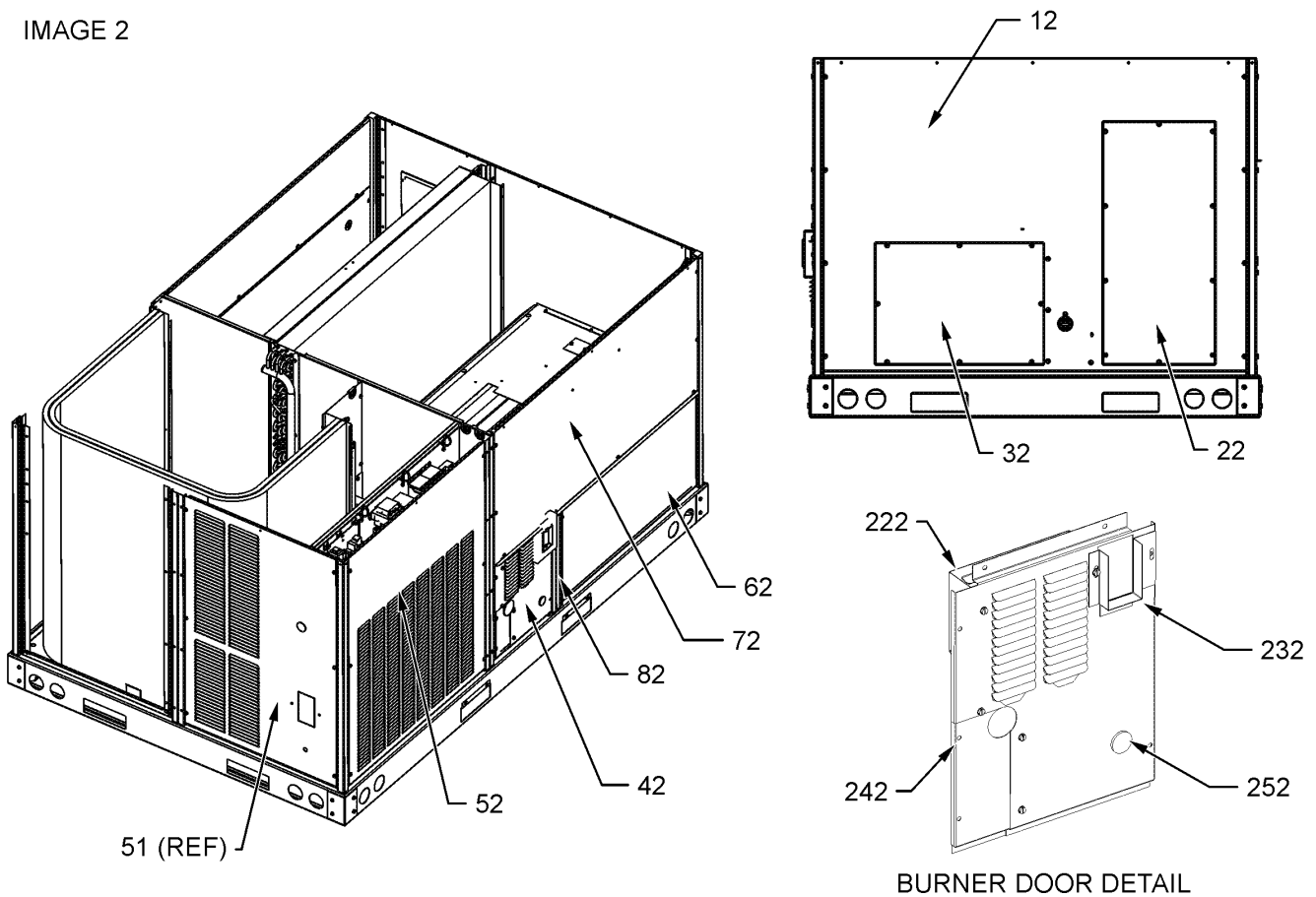


IMAGE 2



Cabinet Assembly

Ref. Part No: No:	Description:	Ref. Part No: No:	Description:
-------------------	--------------	-------------------	--------------

Image 1:

11	0270L00362NG	FILTER DOOR
21	0121L00976NG	ECONOMIZER DOOR
31	0121L00233RFNG	POST-SIDE SUPPORT (QTY 2)
41	0121L00237RFNG	CORNER POST (QTY 4)
51	0121L00263NG	LOUVERED COMPRESSOR PANEL
61	0121G00301	RAIL CORNER BRACKET (QTY 4)
71	0121L01159RFNG	POST-SIDE SUPPORT
81	0121L00244RF	SIDE RAIL (QTY 2)
91	0121L00245	END RAIL (QTY 2)
201	0121L00882	BLOCKOFF-CONDENSER
211	0121L00254	COND MOUNTING ANGLE
221	0121L00939	CONDENSER BLOCKOFF PLATE
NS	0164L00009	GASKET-RUBBER, CPOST (QTY 3)
NS	0164L00011	GASKET-RUBBER, SIDE POST (QTY 3)

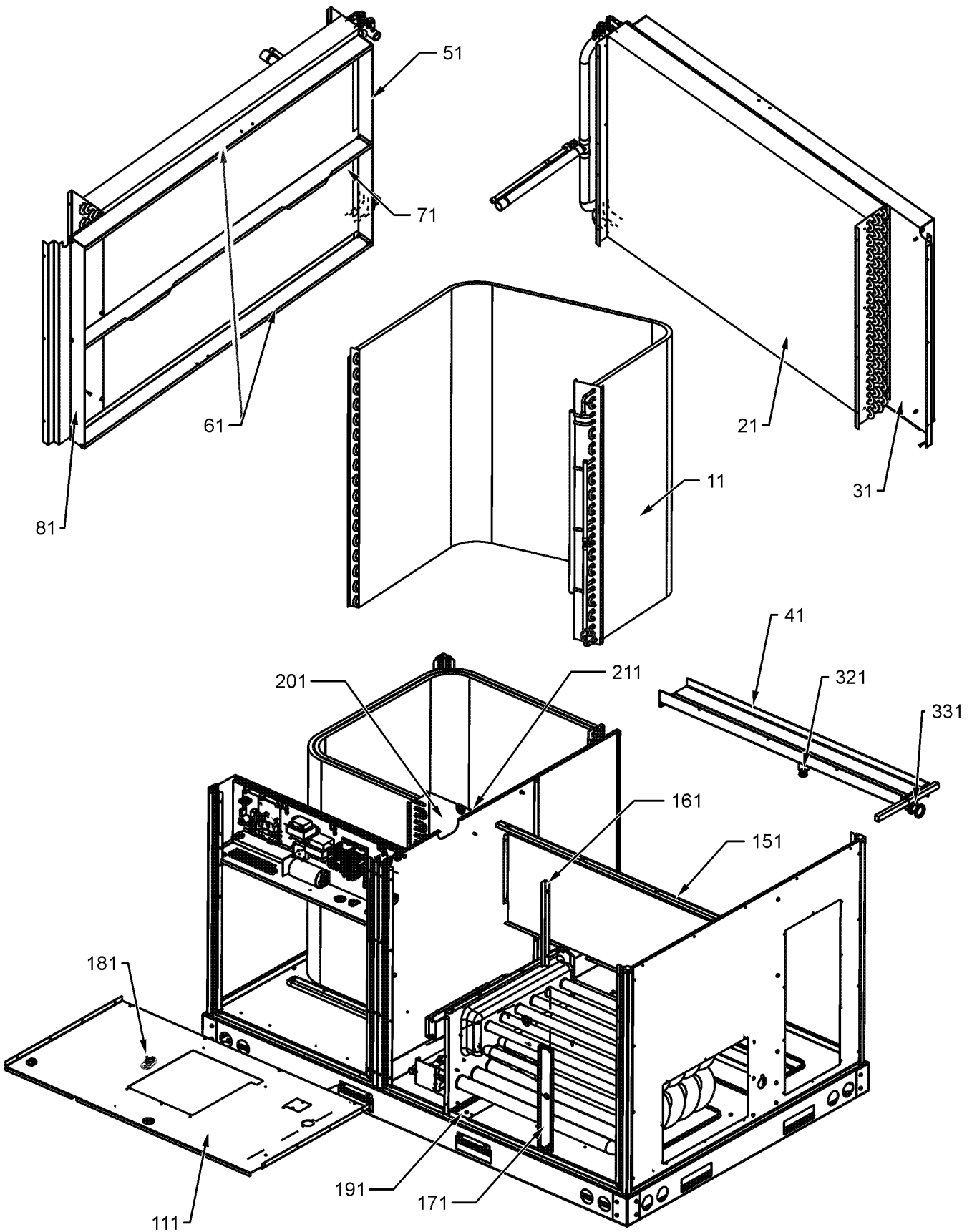
Image 2:

12	0121L00236NG	DUCT PANEL
22	0121L00023NG	RETURN DUCT COVER
32	0121L00024NG	SUPPLY DUCT COVER
42	0121L01438NG	BURNER DOOR
52	0121L01121NG	LOUVERED CONTROL PANEL
62	0121L01108NG	HEAT EXCHANGER DOOR
72	0121L01157NG	BLOWER DOOR
82	0121L01110RFNG	BURNER POST
222	0121L01439	RAIN SHIELD DOOR
232	0121L01440NG	FLUE COLLAR
242	0121L01441NG	BURNER DOOR PANEL
252	B1392139	VIEW PORT BUSHING-BLOWER DOOR
NS	0141L00003X	FORK BOARD (QTY 2)
NS	0121L00055	FORK BOARD BRACKET (QTY 4)
NS	B1910012	GAS LINE GROMMET

Expanded Model Nomenclature

M1 - DSG0480901DXXXAA
M2 - DSG0480903DXXXAA
M3 - DSG0481151DXXXAA
M4 - DSG0481153DXXXAA

Condenser, Evaporator & Partition Panel



Condenser, Evaporator & Partition Panel

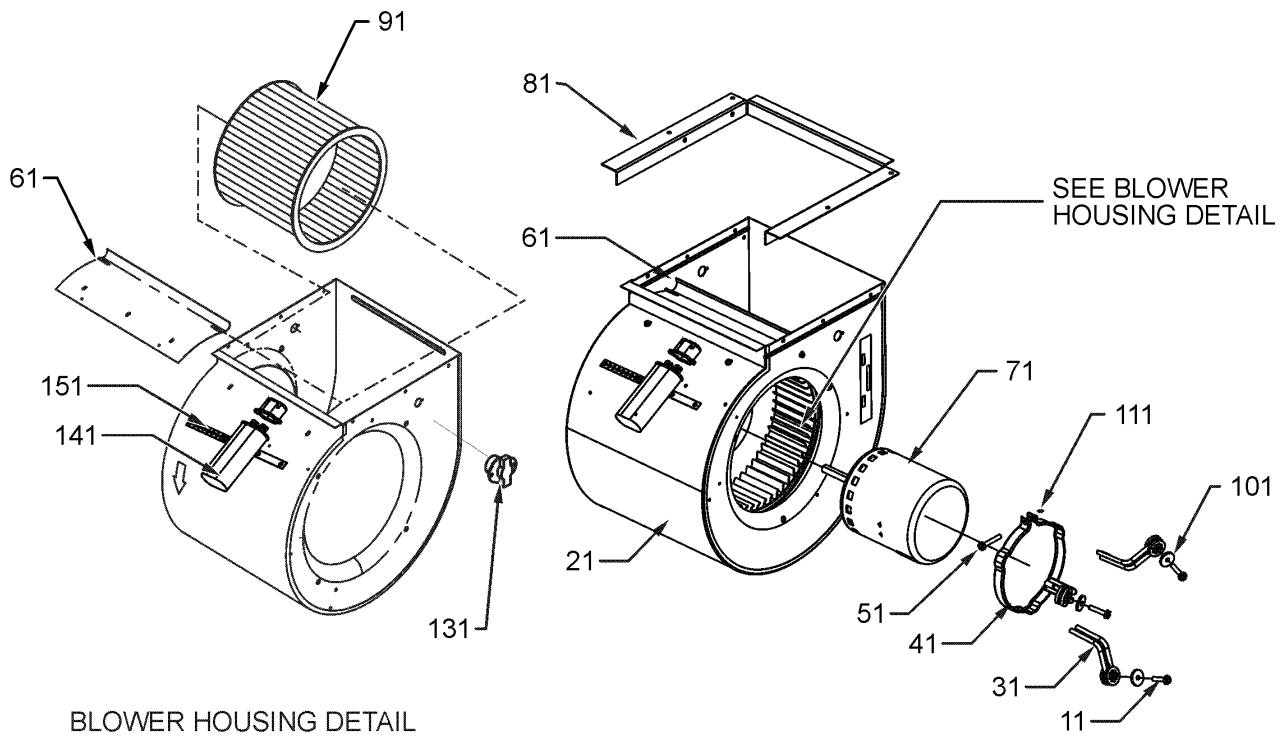
Ref. Part No:	Part No:	Description:	Ref. Part No:	Part No:	Description:
<i>Image 1:</i>					
11	0201L00141	TUBING ASSY, COND COIL			
21	0202L00143	EVAPORATOR COIL TUBING ASSY (M1, M2)			
21	0202L00163	EVAPORATOR COIL TUBING ASSY (M3, M4)			
31	0121L00252	BLOCKOFF-EVAPORATOR			
41	0161L00005	DRAIN PAN			
51	0121L00287	FILTER ANGLE-VERTICAL (RETURN SIDE)			
61	0121L00932	FILTER ANGLE-HORIZONTAL (QTY 2)			
71	0121L01255	ANGLE-FILTER CENTER			
81	0121L00303	FILTER ANGLE-VERTICAL (HAIRPIN SIDE)			
111	0121L01442	BLOWER DECK			
151	0121L00243	DECK SIDE CHANNEL			
161	0121L00293	BACK ANGLE-HEAT EXCHANGER (QTY 2)			
171	0121L00300	SUPPORT POST-DECK			
181	B1370155	AUXILIARY LIMIT SWITCH 120°F (M2)			
181	0130F00105	LIMIT SWITCH (M1)			
181	0130M00063	PRIMARY LIMIT - GOLD 140° (M3)			
181	20162904	PRIMARY LIMIT-TEMPERATURE CONTROL (M4)			
191	0121L00266	HEAT PANEL CHANNEL (QTY 2)			
201	0121L00882	BLOCKOFF-CONDENSER			
211	0121L00254	COND MOUNTING ANGLE			
321	0163L00071	DRAIN PLUG			
331	0154L00009	DRAIN PAN GASKET			
NS	0160L00173	AIR FILTER 14 X 20 X 2 (QTY 4)			
NS	0121L00939	CONDENSER BLOCKOFF PLATE			
NS	0121L00238	DRAIN PAN SUPPORT			
NS	0121L00321	SMOKE DETECTOR COVER			

Expanded Model Nomenclature

M1 - DSG0480901DXXXAA
M2 - DSG0480903DXXXAA
M3 - DSG0481151DXXXAA
M4 - DSG0481153DXXXAA

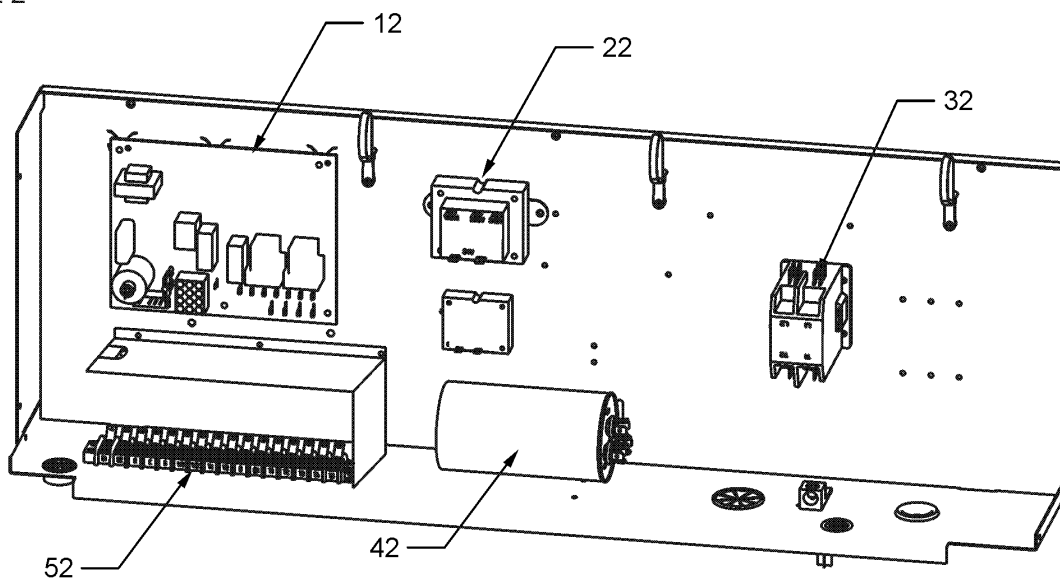
Blower and Control Box Assembly

IMAGE 1



BLOWER HOUSING DETAIL

IMAGE 2



Blower and Control Box Assembly

Ref. Part No: No:	Description:	Ref. Part No: No:	Description:
-------------------	--------------	-------------------	--------------

Image 1:

11	M0250565	TC SCREW 1.25" (QTY 3)
21	11185817	BLOWER HOUSING
31	B1376853	MOTOR MOUNT ARM (QTY 3)
41	0121M00038	MOTOR MOUNT BAND
51	B1393323	MACHINE SCREW HWH 1/4-20 X 1-1/2 BZ
61	C6121806	BLOWER CUT-OFF
71	0131M00826	MOTOR, 3/4 HP PEP
81	0121L00308	BLOWER MOUNTING ANGLE
91	D6723303	BLOWER WHEEL
101	B1392918	WASHER, FLAT 1/4 ID X 1 OD (QTY 3)
111	B1393800	LOCKNUT, NYLON, INSERT 1/4, 20
131	20269903	AUXILIARY LIMIT, AUTO RESET
141	CAP200000440CP	CAP, 20 MFD/440V/ RD
151	20520901	CAPACITOR STRAP

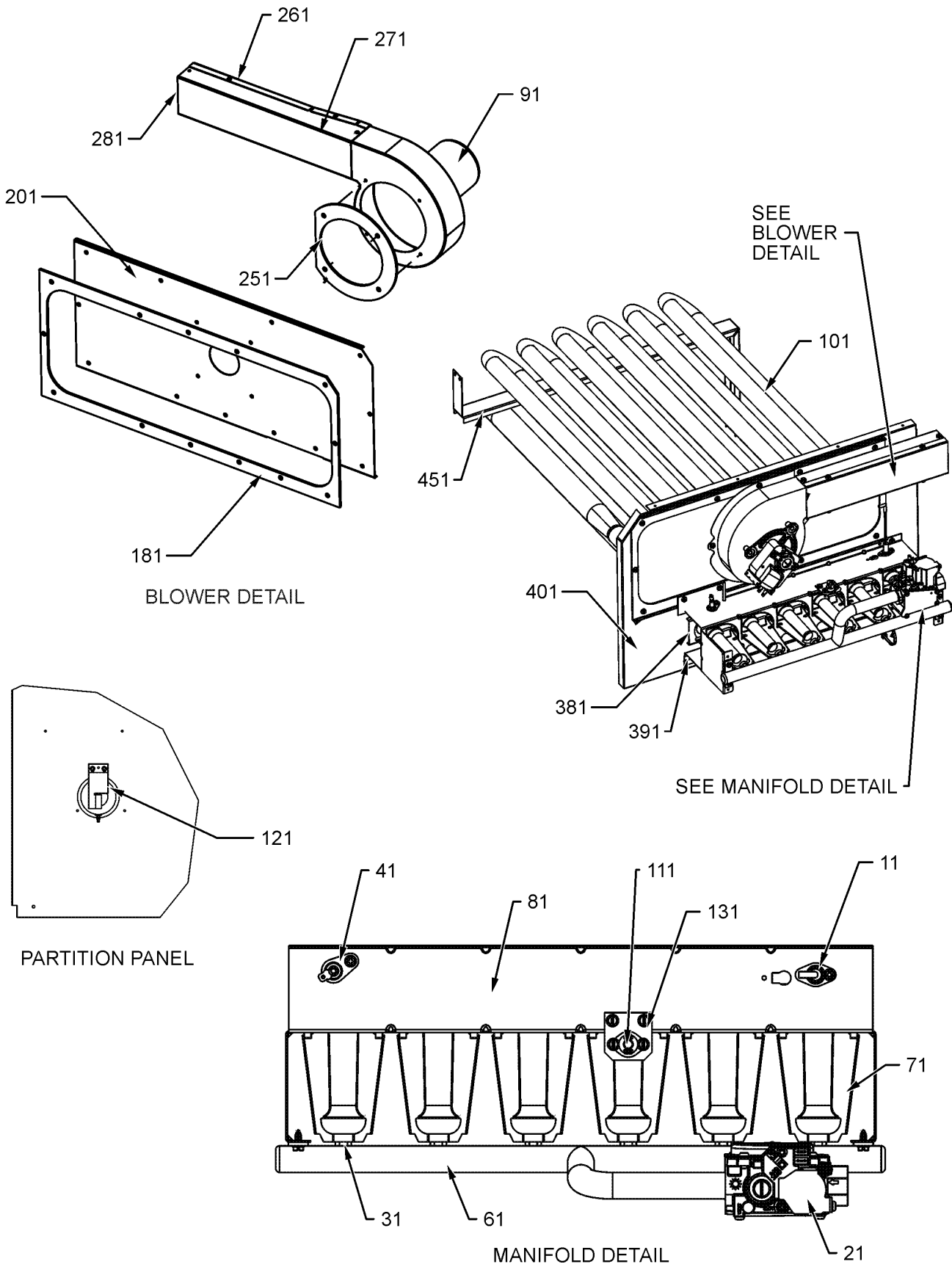
Image 2:

12	PCBAG123	IGNITION BOARD, DSI INTEGRATED
22	0130M00138	TRANSFORMER 208/230, 24V
32	CONT3P025024V	CONTACTOR 25 AMP, 3P, 24V (M2, M4)
32	CONT1P030024V	CONTACTOR 30 AMP, 1P, 24V (M1, M3)
42	CAP050000370LA	CAPACITOR 5/370V (M2, M4)
42	CAP050450440CT	CAPACITOR 5/45/440V/DUAL RD (M1, M3)
52	0130M00038	TERMINAL BOARD
NS	0259L00083	12-PIN GAS HARNESS
NS	0259L00084	CONTROL HARNESS
NS	0259L00179	HARNESS, ECONOMIZER
NS	0259L00079	WIRE HARNESS, EVAP MOTOR
NS	0259L00054	WIRING HARNESS
NS	0259L00069	WIRING HARNESS

Expanded Model Nomenclature

M1 - DSG0480901DXXXAA
M2 - DSG0480903DXXXAA
M3 - DSG0481151DXXXAA
M4 - DSG0481153DXXXAA

Heat Exchanger Assembly



Heat Exchanger Assembly

Ref. Part No:	No:	Description:	Ref. Part No:	No:	Description:
Image 1:					
11	20261709	IGNITOR			
21	0151F00000P	GAS VALVE - WHITE-RODGERS 2-STAGE			
31	0163F00018	ORIFICE (QTY 4)			
41	0130F00010	FLAME SENSOR			
61	0163L00026	MANIFOLD - 4 BRNR (M1, M2)			
61	0163L00029	MANIFOLD - 5 BRNR (M3, M4)			
71	0163F00017	BECKETT BURNER (M1, M3)			
71	10735102	BECKETT BURNER (M2, M4)			
81	0121L01361	BRACKET, BURNER 4 (M1)			
81	0121L01362	BRACKET, BURNER 5 (M3)			
81	20190412	BURNER BRACKET 4B (M2)			
81	20190413	BURNER BRACKET 5B (M4)			
91	0131M00121	ID COMBUSTION BLOWER			
101	0270L00682	PART/TUBE ASSY (M1)			
101	0270L00683	PART/TUBE ASSY (M3)			
101	0270L00092	PART/TUBE ASSY 4B (M2)			
101	0270L00110	PART/TUBE ASSY 5B (M4)			
111	10123532	MANUAL RESET LIMIT 350°F			
121	11112501	PRESSURE SWITCH			
131	0121L00053	BRACKET-FLAME ROLLOUT			
131	0121L00053	FLAME ROLLOUT BRACKET			
181	0154L00018	ID BLOWER PLATE GASKET 4 BRNR (M1, M2)			
181	0154L00017	ID BLOWER PLATE GASKET 6 BRNR (M3, M4)			
201	0121L00284	ID BLOWER PLATE 4 BRNR (M2)			
201	0121L00318	ID BLOWER PLATE 6 BRNR (M4)			
201	0121L01353	PLATE, ID BLOWER 4 (M1)			
201	0121L01354	PLATE, ID BLOWER 5 (M3)			
251	0154L00020	ID BLOWER GASKET			
261	0121L00277	FLUE CHANNEL			
271	0121L00278	FLUE SIDE COVER			
281	0163L00072	SCREEN-FLUE			
381	11072203	ORIFICE SHIELD (M2)			
381	11072204	ORIFICE SHIELD (M4)			
391	0121L00267	BURNER SLIDE BRACKET (M2, M4)			
401	0121L00268	RETAINER-BURNER ASSY (M4)			
451	0121L00325	BRACKET-HEAT EXCHANGER			
NS	A3468601	PRESSURE SWITCH HOSE			

Expanded Model Nomenclature

- | |
|-----------------------|
| M1 - DSG0480901DXXXAA |
| M2 - DSG0480903DXXXAA |
| M3 - DSG0481151DXXXAA |
| M4 - DSG0481153DXXXAA |