

3 - 5 TON PACKAGED AIR CONDITIONER
14 SEER / UP TO 12.0 EER

SUBMITTAL DATA FORM

Job Name _____

Location _____

Purchaser _____

Order No. _____

Engineer _____

Unit No. _____

Model No. _____

Unit Designation _____

Performance Data Certified By:

Standard Features

- High-efficiency scroll compressor
- Copper tube/aluminum fin coils
- High- and low-pressure switches
- Contactor with lugs
- High-capacity, steel-cased filter drier
- Heater kits with single-point entry
- 24-volt terminal strip
- Convertible airflow orientation
- Easy to service
- Built-in filter rack with standard 2" filters
- Bottom utility entry
- AHRI Certified; ETL Listed
- 3-5 Tons with single speed blower motor units meet the performance specified in Table 6.8.1-1 of ASHRAE Standard 90.1-2013

Cabinet Features

- Heavy-gauge, galvanized-steel cabinet with UV-resistant powder-paint finish
- Full Perimeter Rail
- Sloped drain pan

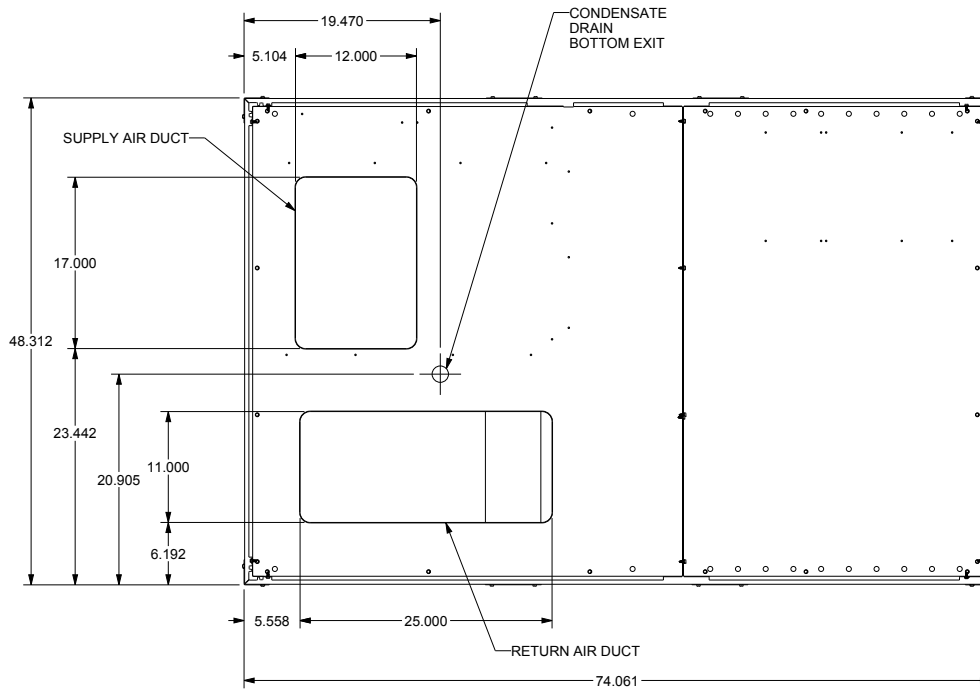


* Complete warranty details available from your local distributor or manufacturer's representative or at www.daikincomfort.com.

PERFORMANCE DATA

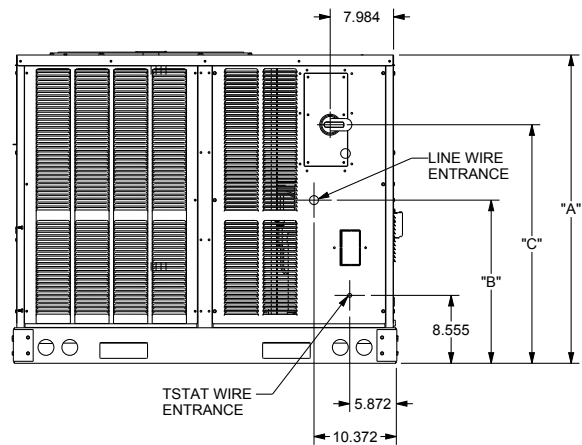
Cooling Performance		
Total Capacity	_____	MBH
Sensible Capacity	_____	MBH
Outdoor Design TMP	_____	°F DB / WB
Air Temp entering	_____	
Evaporator Coil	_____	°F
Power Input Required (less blower motor)	_____	kW
Heating Performance		
Total Heating Capacity	_____	kW
	_____	BTU/h
Supply Air Blower Performance		
Total Supply Air	_____	CFM
Ext. Static Pressure	_____	IWG
Blower Speed	_____	RPM
Power Output Required	_____	BHP
Motor Ratings	_____	HP
Power Input Required	_____	kW
Electrical Data		
Power Supply	_____	
Total Unit Amps	_____	Amps
Max Overcurrent Device:		
Fuse	_____	Breaker _____ Amps _____

DIMENSIONS



BASE PAN VIEW
(VIEWED FROM TOP)

MODEL TONNAGES	"A"	"B"	"C"
3 TON COMMERCIAL GAS, HT PUMP, AIR CONDITIONER	38.840	16.555	26.055
4 TON COMMERCIAL GAS, HT PUMP, AIR CONDITIONER	38.840	16.555	26.055
5 TON COMMERCIAL GAS, AIR CONDITIONER	38.840	16.555	26.055



LEFT END VIEW

ACCESSORIES

DAIKIN MASTER ITEM #	DESCRIPTION	FITS MODEL SIZES	FIELD- INSTALLED	FACTORY- INSTALLED	✓
	Curb				
14CURB3672B	14" Roof Curb	3-5 Tons	√		
18CURB3672B	18" Roof Curb	3-5 Tons	√		
24CURB3672B	24" Roof Curb	3-5 Tons	√		
GHRC-3672	Hurricane Restraint Clips	3-5 Tons	√		
	Ultra Low-Leak Economizer & Power Exhaust¹				
10-365-09C	Ultra Low-Leak Downflow Economizer w/ Dry Bulb	3-5 Tons	√		
10-366-09C	Ultra Low-Leak Downflow Economizer w/ Enthalpy	3-5 Tons	√	√	
10-395-09	Ultra Low-Leak Horizontal Economizer w/ Dry Bulb	3-5 Tons	√		
10-396-09	Ultra Low-Leak Horizontal Economizer w/ Enthalpy	3-5 Tons	√		
10-455-09*-23	Centrifugal Power Exhaust 230v	3-5 Tons	√		
10-455-09*-33	Centrifugal Power Exhaust 460v	3-5 Tons	√		
10-455-09*-43	Centrifugal Power Exhaust 575v	3-5 Tons	√		
10-457-09xA-23	Modulating Power Exhaust 208-230v	3-5 Tons	√		
10-457-09xA-33	Modulating Power Exhaust 460v	3-5 Tons	√		
10-465-09-21	Prop Power Exhaust 230v	3-5 Tons	√		
10-465-09-31	Prop Power Exhaust 460v	3-5 Tons	√		
10-465-09-41	Prop Power Exhaust 575v	3-5 Tons	√		
	Low-Leak Economizer & Power Exhaust²				
DDNECNJ3672C	Low-Leak Downflow Economizer	3-5 Tons	√	√	
DPE36722	Downflow Power Exhaust (208/230 Volt)	3-5 Tons	√		
DPE36724	Downflow Power Exhaust (460 Volt)	3-5 Tons	√		
DPE36727	Downflow Power Exhaust (575v)	3-5 Tons	√		
DHZECNJ3672	Horizontal Economizer	3-5 Tons	√		
DHPE36722	Horizontal Power Exhaust (208/230 Volt)	3-5 Tons	√		
DHPE36724	Horizontal Power Exhaust (460 Volt)	3-5 Tons	√		
DHPE36727	Horizontal Power Exhaust (575 Volt)	3-5 Tons	√		
	Downflow Accessories				
D25FD3672	25% Manual Fresh Air Damper	3-5 Tons	√		
D25MFD3672	25% Motorized Fresh Air Damper	3-5 Tons	√		
DDNBBS3672	Burglar Bar Sleeves with Supply & Return	3-5 Tons	√		
DDNECNJ3672NR	Downflow Economizer ² w/o Barometric Relief	3-5 Tons	√		
DDNSQRD3616	Downflow Square-to-Round Adapter (16" Round)	3 tons	√		
DDNSQRD487218	Downflow Square-to-Round Adapter (18" Round)	4-5 tons	√		
	Horizontal Accessories				
DBRD3672	Barometric Relief Damper	3-5 Tons	√		
	Concentrics				
CDK36	Concentric Duct Kit	3 Ton	√		
CDK36515	Flush Mount Concentric Duct Kit w/ Filter	3 Ton	√		
CDK36530	Step Down Concentric Duct Kit	3 Ton	√		
CDK36535	Step Down Concentric Duct Kit w/ Filter	3 Ton	√		
CDK4872	Concentric Duct Kit	4-5 Ton	√		
CDK4872515	Flush Mount Concentric Duct Kit w/ Filter	4-5 Ton	√		
CDK4872530	Step Down Concentric Duct Kit	4-5 Ton	√		
CDK4872535	Step Down Concentric Duct Kit w/ Filter	4-5 Ton	√		

ACCESSORIES (CONT.)

DAIKIN MASTER ITEM #	DESCRIPTION	FITS MODEL SIZES	FIELD- INSTALLED	FACTORY- INSTALLED	✓
	DDC Accessories³				
	DDC communicating controller (built-in BACnet® MS/TP) includes Standard Room Sensor to be installed in field	3-5 Tons		√	
10366D09C	DDC Ultra Low-Leak Downflow Economizer	3-5 Tons	√	√	
10366D09	DDC Ultra Low-Leak Horizontal Economizer	3-5 Tons	√		
10465DDC	Power Exhaust kit used with DDC Ultra Low-Leak Economizer	3-5 tons	√		
DLAKT01	Low-Ambient	3-5 Tons	√	√	
LONKT01	LonWorks® card	3-5 Tons	√		
3PMK01	Phase Monitor (3-Phase Only)	3-5 Tons	√	√	
DFSKT01	Dirty Filter Switch	3-5 Tons	√		
	1 phase 208-230V Electric Heat Kits				
SPKT01	Single Point Wiring Kit 1phase Heat Kits	3-5 Tons	√	√	
EHK1-10	10kw 208-230v 1ph Electric Heat Kit	3-5 Tons	√	√	
EHK1-15	15kw 208-230v 1ph Electric Heat Kit	3-5 Tons	√	√	
EHK1-18	18kw 208-230v 1ph Electric Heat Kit	4 tons	√	√	
EHK1-20	20kw 208-230v 1ph Electric Heat Kit	5 tons	√	√	
	3 phase 208-230V Electric Heat Kits				
SPKT02	Single Point Wiring Kit 3phase Heat Kits	3-5 Tons	√	√	
EHK3-10	10kw 208-230 3ph Electric Heat Kit	3-5 Tons	√	√	
EHK3-15	15kw 208-230 3ph Electric Heat Kit	3-5 Tons	√	√	
EHK3-18	18kw 208-230 3ph Electric Heat Kit	4 tons	√	√	
EHK3-20	20kw 208-230 3ph Electric Heat Kit	5 tons	√	√	
	3 phase 460V Electric Heat Kits				
EHK4-10	10kw 460v 3ph Electric Heat Kit	3-5 Tons	√	√	
EHK4-15	15kw 460v 3ph Electric Heat Kit	3-5 Tons	√	√	
EHK4-18	18kw 460v 3ph Electric Heat Kit	4 tons	√	√	
EHK4-20	20kw 460v 3ph Electric Heat Kit	5 tons	√	√	
	3 phase 575V Electric Heat Kits				
EHK7-10	10kw 575v 3ph Electric Heat Kit	3-5 Tons	√	√	
EHK7-15	15kw 575v 3ph Electric Heat Kit	3-5 Tons	√	√	
EHK7-18	18kw 575v 3ph Electric Heat Kit	4 tons	√	√	
EHK7-20	20kw 575v 3ph Electric Heat Kit	5 tons	√	√	
	High-Static Kits⁴				
HSKTS036	High Static Kit - 230v & 460v	DS*, 3 Ton	√	√	
HSKTS048	High Static Kit - 230v & 460v	DS*, 4 Ton	√	√	
HSKTS060	High Static Kit - 230v & 460v	DS*, 5 Ton	√	√	
HSKTS036-7	High Static Kit - 575v	DS*, 3 Ton	√	√	
HSKTS048-7	High Static Kit - 575v	DS*, 4 Ton	√	√	
HSKTS060-7	High Static Kit - 575v	DS*, 5 Ton	√	√	
	Crankcase Heater Kits				
0163R00002S	40W 230V	3 tons	√		
0163R00031S	40W 460V	3 tons	√		
0163R00032S	40W 575V	3 tons	√		
0130L00017S	70W 230V	4 - 5 tons	√		
0130L00018S	70W 460V	4 - 5 tons	√		
0130L00019S	70W 575V	4 - 5 tons	√		

DAIKIN MASTER ITEM #	DESCRIPTION	FITS MODEL SIZES	FIELD- INSTALLED	FACTORY- INSTALLED	✓
	High Efficiency Filters				
0160L00203	High Efficiency MERV 13 Air Filter Nom. Size: 24x24x2; (Order Qty 1)	3 tons	√		
0160L00204	High Efficiency MERV 13 Air Filter Nom. Size: 14x20x2; (Order Qty 4)	4 tons	√		
0160L00205	High Efficiency MERV 13 Air Filter Nom. Size: 16x20x2; (Order Qty 4)	5 tons	√		
	Misc Accessories				
HAILGD03D	Condenser Coil Hail Guard	3-5 tons	√		
	Convenience Outlet: Non Powered	3-5 tons		√	
	Convenience Outlet: Powered	3-5 tons		√	
	Disconnect Switch	3-5 tons		√	
LAKT11	Low Ambient Kit, 208-230V - non-DDC	3-5 tons	√	√	
LAKT13	Low Ambient Kit, 460V - non-DDC	3-5 tons	√	√	
LAKT14	Low Ambient Kit, 575V - non-DDC	3-5 tons	√	√	
3PMNDK01	Phase Monitor - Non DDC	3-5 Ton	√	√	
	Smoke Detector (supply and/or return air)	3-5 Ton		√	
	Hinged Panels	3-5 Ton		√	
FSK01A	Freeze Stat Kit	3-5 Ton	√		
IRKT-01	Isolation Relay Kit	3-5 Ton	√		

¹ Use Economizer & Power Exhaust listed within Ultra Low-Leak section

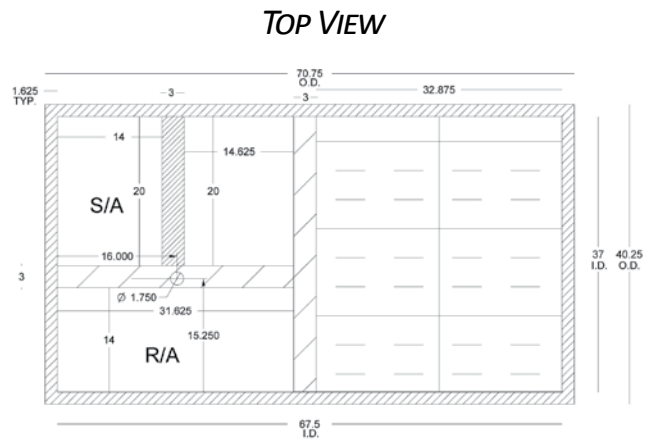
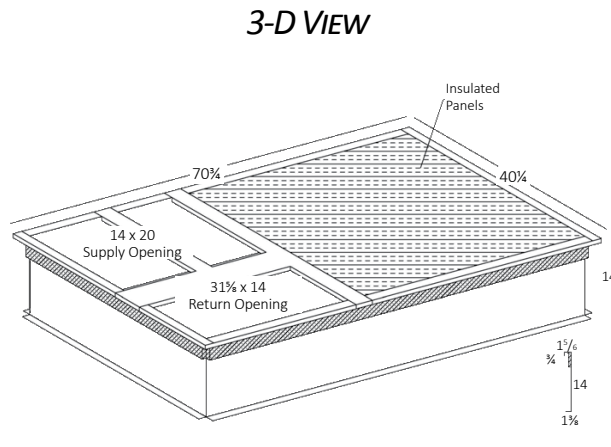
² Use Economizer & Power Exhaust listed within Low-Leak section

³ For a full list of DDC accessories, please refer to DDC Controller Technical Guide manual (DK-DDC-TGD-01B)

⁴ HSKT High-Static Kits are for use with standard single-speed belt-drive units only.

Note: Where multiple variations are available, the heaviest combination is listed.

ROOF CURB — #D14CURB3672



SPECIFICATIONS

- 18-Gauge Construction
- 1 x 4 Wood Nailer attached to top of the curb
- Shipped knocked down with all hardware
- Gasket included
- Bed-Rail style corners

Note: outside duct dimension should be 1/2" less than opening dimensions above.

NO CURB ADAPTER REQUIRED WHEN REPLACING CARRIER & BRYANT MODELS

No curb adapter is required when replacing an existing Carrier or Bryant RTU with a Daikin RTU in these situations; the footprints and locations of the return and supply duct work match.

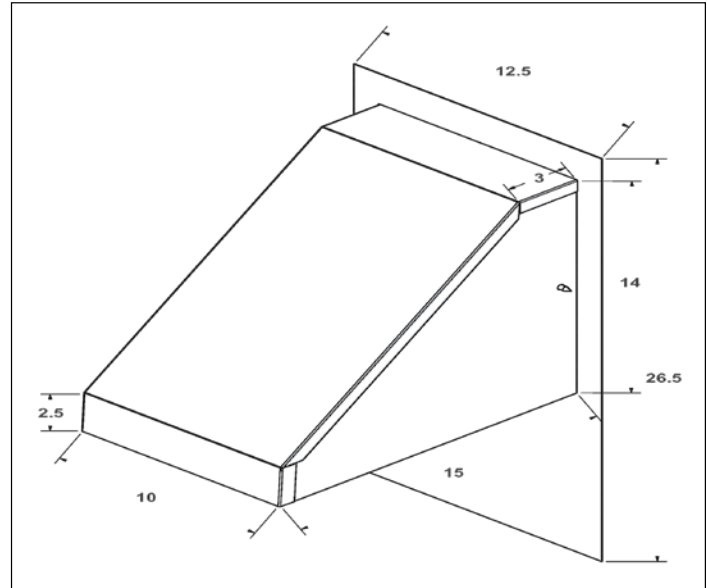
NEW UNIT	EXISTING CARRIER	EXISTING BRYANT
3 TO 5 TONS	48/50 TJ, LJ, DJ, QJ 48/50 TM, HJ 004 - 007	580C-D, 558C-D, 548C-D 580F, 558F, 581B 036 - 072

MANUAL FRESH AIR DAMPER — #D25FD3672**MOTORIZED FRESH AIR DAMPER — #D25MFD3672****SPECIFICATIONS****Manual Damper**

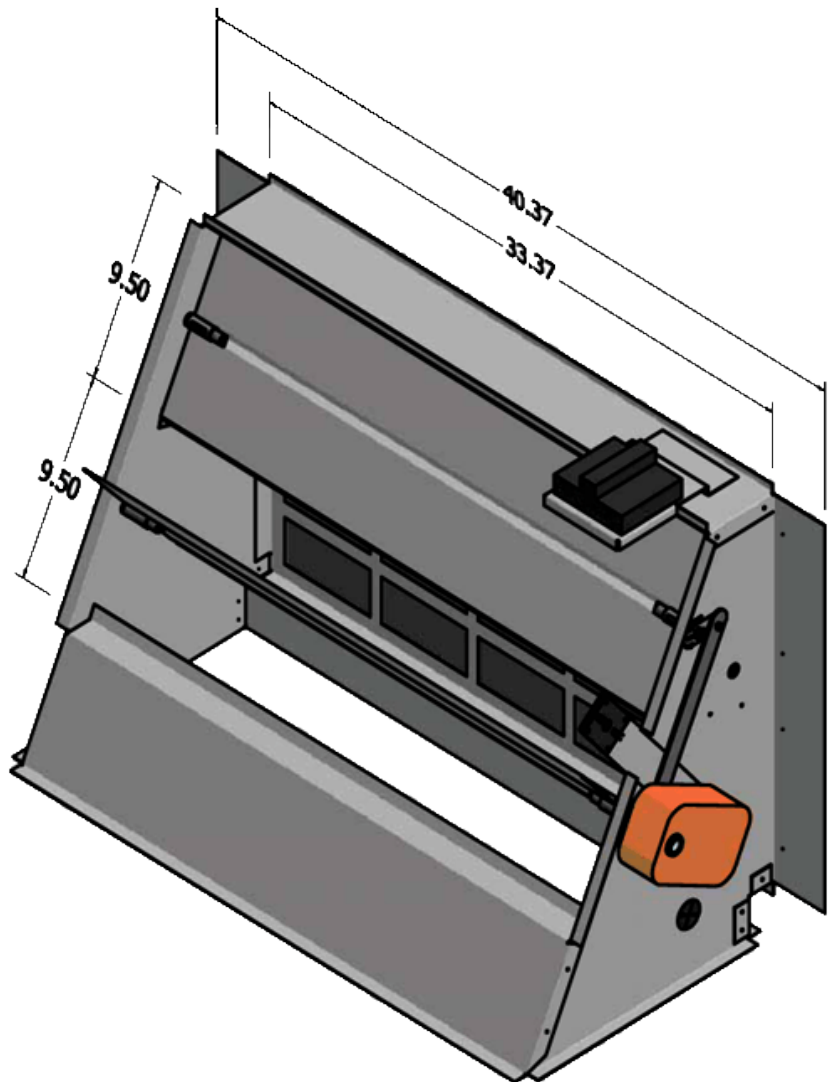
- Provides up to 25% fresh air
- Locking selection knob provides constant opening
- Painted to match the unit
- Fits all 3- to 5-ton package units in all fuels

Motorized Damper

- 24 VAC Damper motor with spring return
- Fully assembled and factory wired
- Painted to match the unit
- Fits all 3- to 5-ton package units in all fuels

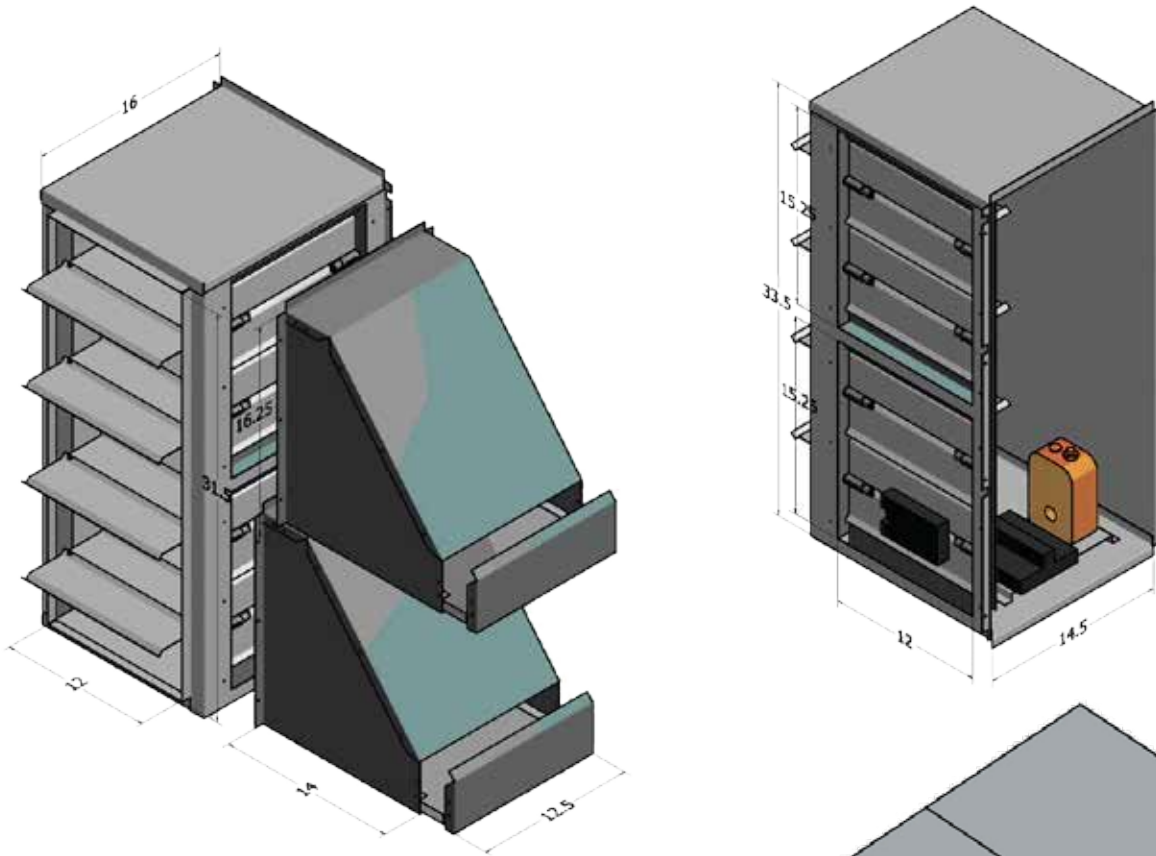
**HAIL GUARD — #HAILGDO*****SPECIFICATIONS**

- Condenser coil protection
- Prevents hail damage
- Easy to remove and clean
- Powder paint finish

DOWNFLOW ECONOMIZER — #DDNECNJ3672**SPECIFICATIONS**

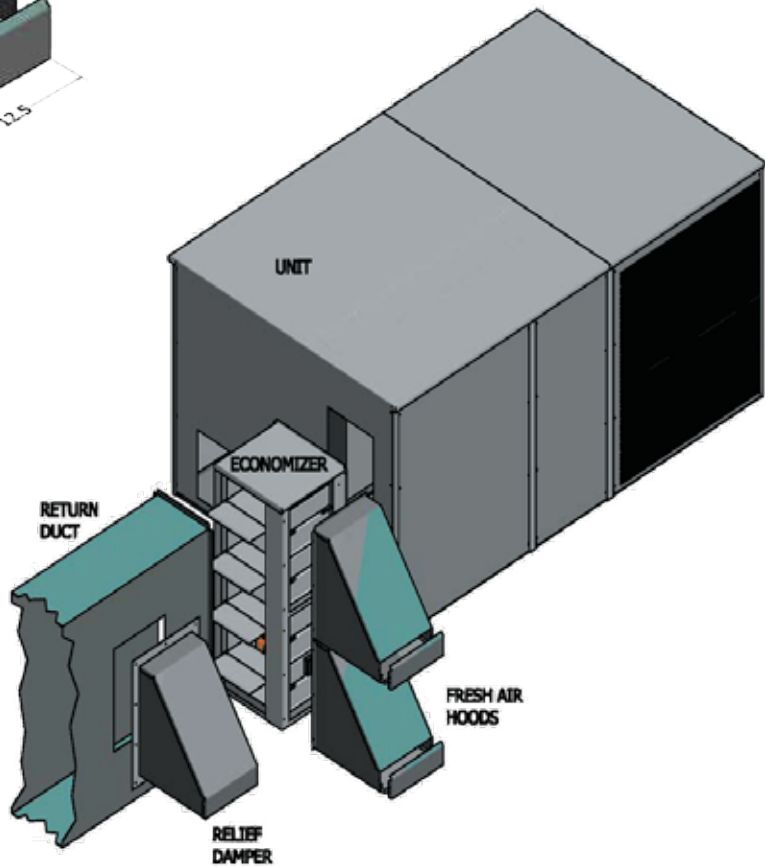
- Fully modulating
- Up to 100% fresh air
- Integral barometric relief
- Hoods painted to match unit
- Honeywell economizer control
- Single adjustable enthalpy control convertible to dual enthalpy
- Adjustable minimum fresh air
- Factory wired
- Fits all 3 - 5 ton models

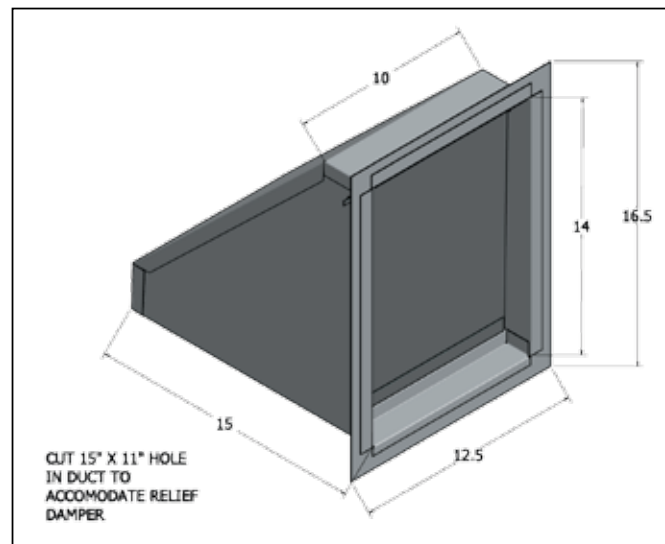
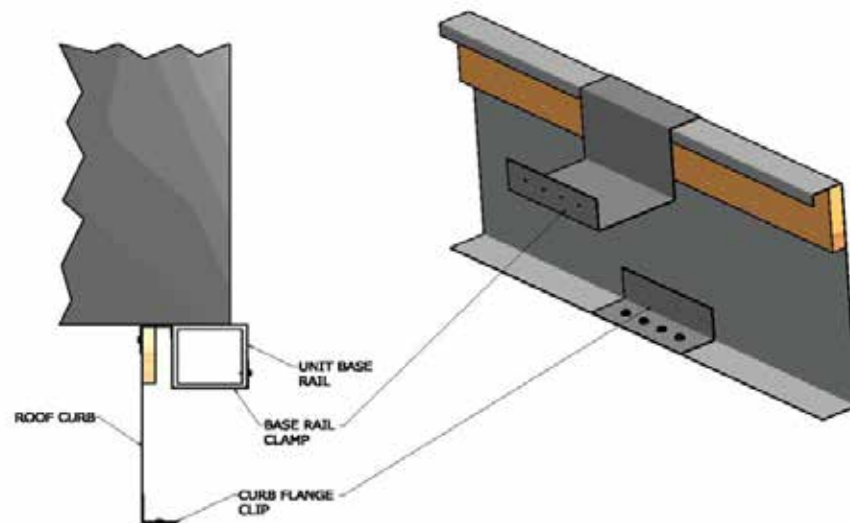
HORIZONTAL ECONOMIZER — #DHZECNJ3672



SPECIFICATIONS

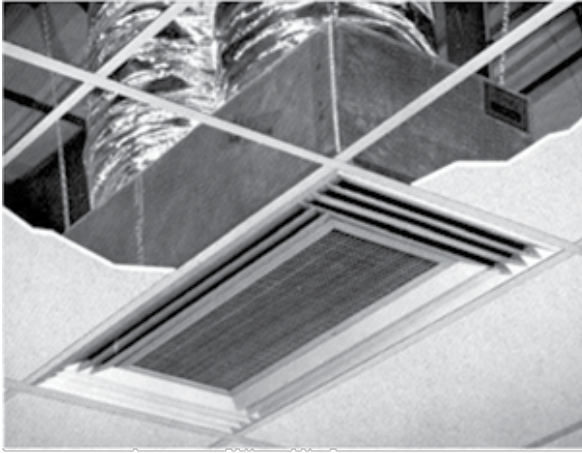
- Fully modulating
- Up to 100% fresh air
- Honeywell economizer control
- Single adjustable enthalpy control convertible to dual enthalpy
- Adjustable minimum fresh air
- Factory wired
- Fits all 3 - 5 ton models



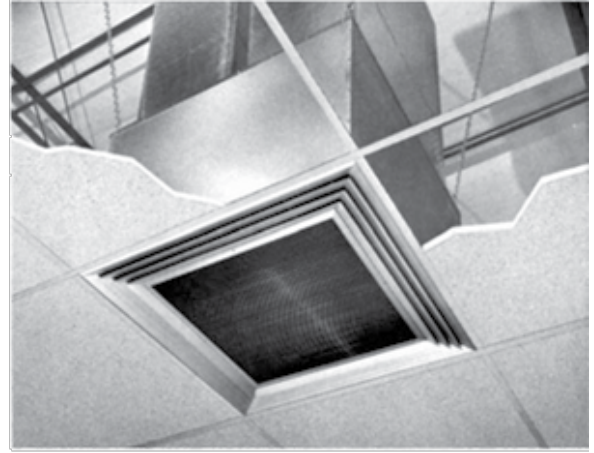
BAROMETRIC RELIEF DAMPER — #DBRD3672**HURRICANE / SEISMIC CLIP — GHRC-3672B****SPECIFICATIONS**

- 14-gauge construction
- Location and quantity of clips dictated by unit need
- Clips are fastened to the unit and curb using sheet-metal screws
- Seismic angle is fastened with approved fastener

CONCENTRIC DUCT KIT — #CDK36 / #CDK4872



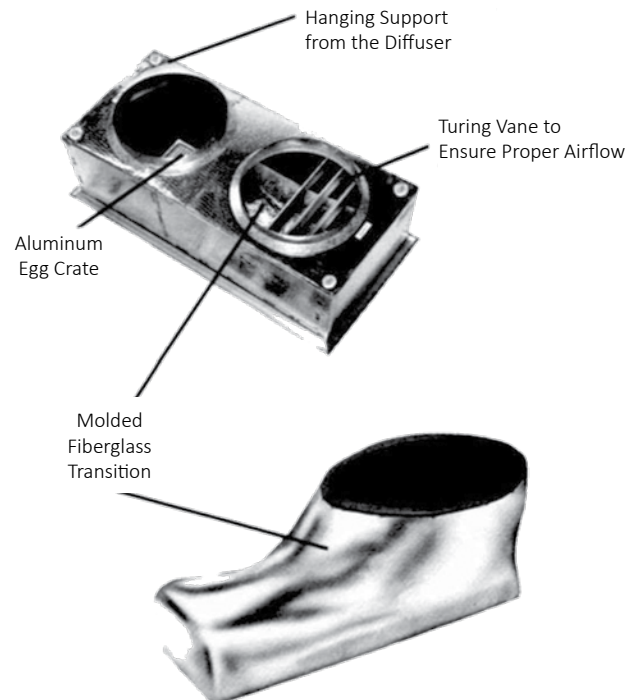
Light Commercial
T-Bar Ceiling



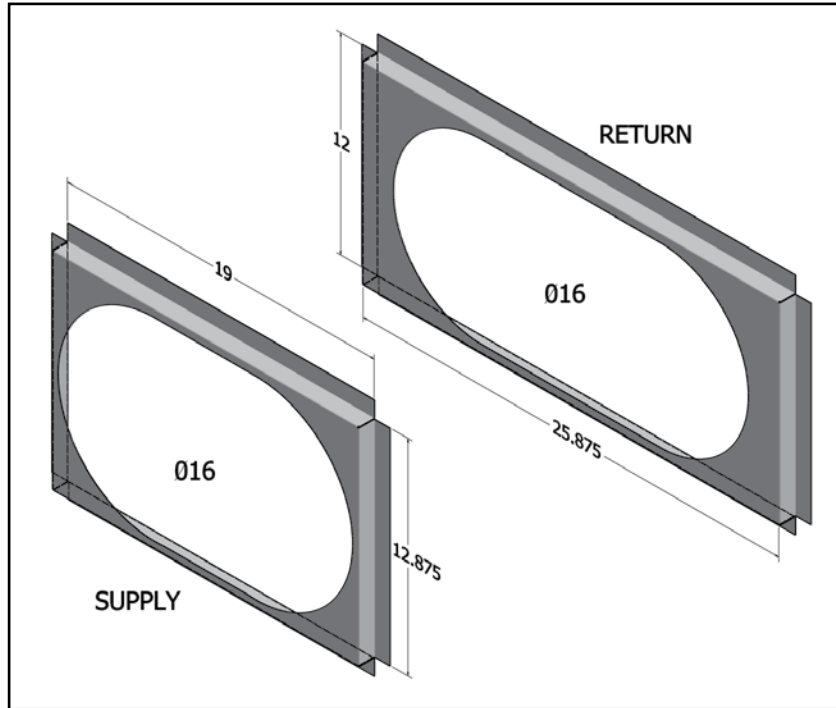
Commercial
T-Bar Ceiling

SPECIFICATIONS

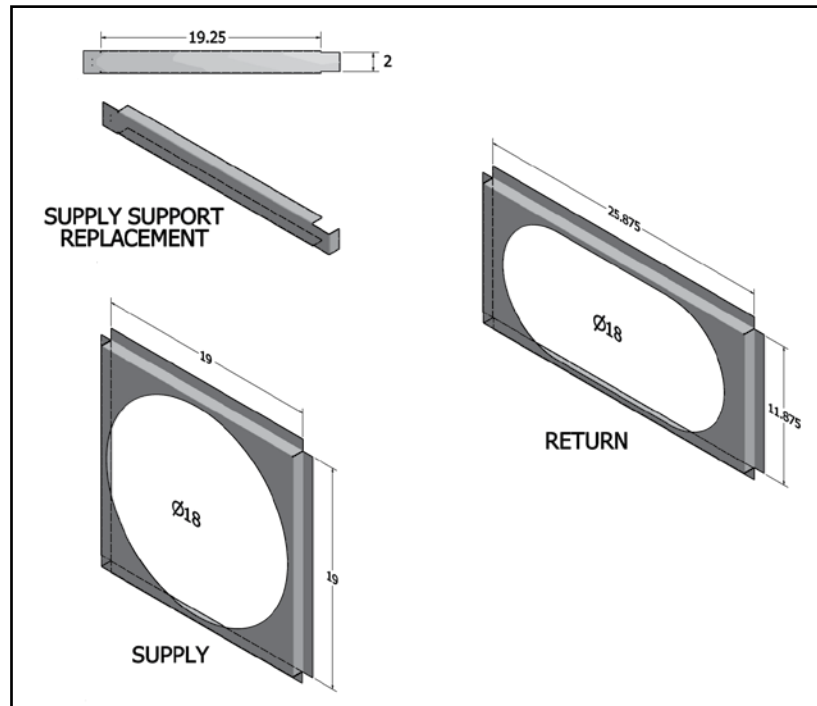
- All-aluminum diffuser with aluminum return air egg crate
- Built-in anti-sweat gasket
- Molded fiberglass transition (through five tons)
- Built-in hanging supports
- Diffuser box constructed of fiberglass duct board (through 7½ tons) or sheet metal



3 - TON SQUARE-TO-ROUND — #DDNSQRD3616



4 - 5 TON SQUARE-TO-ROUND — #DDNSQRD487218



NOTES

NOTES

NOTES