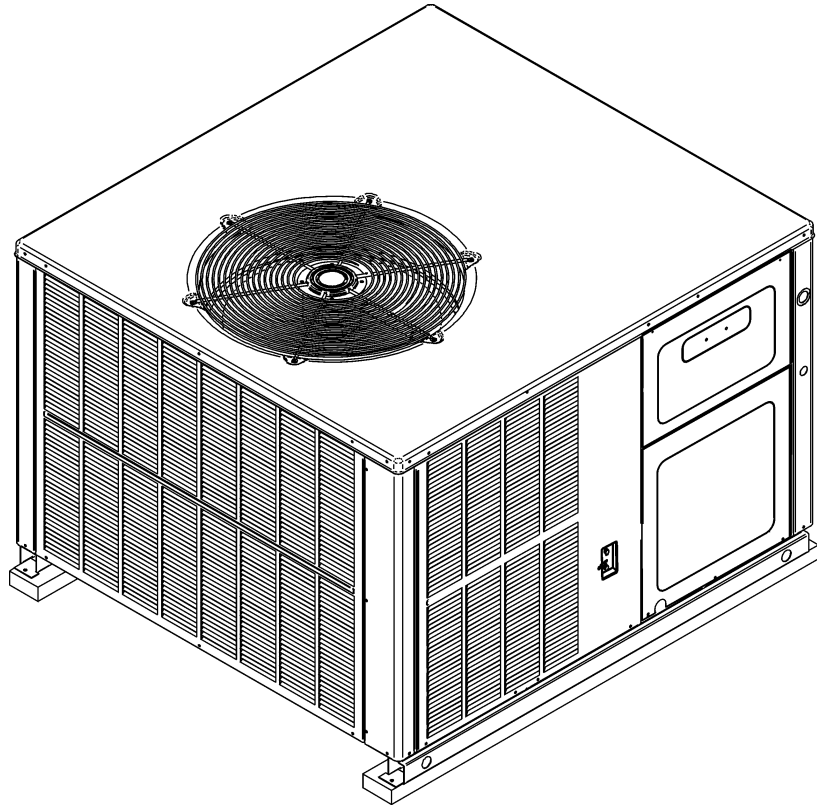


DP13HM Package Heat Pump Units Single Phase

DP13HM2441AA
DP13HM3041AA
DP13HM3641AA
DP13HM4241AA
DP13HM4841AA
DP13HM6041AA



This manual is to be used by qualified technicians only.

© 2013 Daikin Company, L.P. ♦ 5151 San Felipe St., Suite 500 ♦ Houston, TX 77056

Important Information

Index

Functional Parts List	3
Illustration and Parts	4 - 11

Views shown are for parts illustrations only, not servicing procedures.

Introduction of Daikin branded products.

Text Codes:

AR - As Required

NA - Not Available

NS - Not Shown

00000000 - See Note

QTY - Quantity Example (QTY 3) (If Quantity not shown, Quantity = 1)

M - Model Example (M1) (If M Code not shown, then part is used on all Models)

Expanded Model Nomenclature:

Example M1 - Model#1 M2 - Model#2 M3 - Model#3

Daikin Company, L.P. is not responsible for personal injury or property damage resulting from improper service. Review all service information before beginning repairs.

Warranty service must be performed by an authorized technician, using authorized factory parts. If service is required after the warranty expires, Daikin Company, L.P. also recommends contacting an authorized technician and using authorized factory parts.

Daikin Company, L.P. reserves the right to discontinue, or change at any time, specifications or designs without notice or without incurring obligations.

For assistance within the U.S.A. contact:

Consumer Affairs Department
Daikin North America, LLC
7401 Security Way
Houston, Texas 77040
855-770-5678-Telephone
713-863-2382-Facsimile

For assistance outside the U.S.A. contact:

International Division
Daikin North America, LLC
7401 Security Way
Houston, Texas 77040
713-861-2500-Telephone
713-863-2382-Facsimile

Functional Parts

Part

No: Description:

0130M00014	240 VOLT RELAY (M1, M2, M4)
0131M00062	BLOWER MOTOR 1/3 HP, 3 SP, 6 PL (M2)
11091203	BLOWER MOTOR 1/3 HP, 3 SP, 6 PL (M4)
11091207	BLOWER MOTOR 1/4 HP, 3 SP, 8 PL (M1)
D6723303	BLOWER WHEEL
CAP050700440RT	CAP,5/70 MFD/440V/DUAL RD (M5, M6)
CAP100000370VA	CAPACITOR 10/370V [BLOWER] (M1, M2, M4)
CAP050400440RT	CAPACITOR 5/40/440V (M1, M2)
CAP050450440RT	CAPACITOR 5/45/440V (M3, M4)
ZP42K5EPFV130	COMP, 42000, 208/230/60/1 (M5)
ZP21K5EPFV130	COMP,21300,208/230/60/1 (M1)
ZP36K5EPFV130	COMP,36200,208/230/60/1 (M4)
ZP25K5EPFV130	COMPRESSOR 25200, 208/230/60/1 (M2)
ZP31K5EPFV130	COMPRESSOR 31100, 208/230/60/1 (M3)
ZP51K5EPFV130	COMPRESSOR 51000, 208/230/60/1 (M6)
0131M00061	COND MOTOR 1/4 HP, 1 SP, 8 PL (M1, M2, M3)
0131M00429	COND MOTOR, 1/4 HP, 1 SP, 6 PL (M4, M5, M6)
CONT1P025024V	CONTACTOR 25 AMP, 1P, 24V (M1, M2, M3, M4)
CONT2P040024V	CONTACTOR 40 AMP, 2P, 24V (M5, M6)
0130M00099	CONTROL, DEFROST (M1, M2)
0130M00102	CONTROL, DEFROST (M3, M4, M5, M6)
0230G00005	CRANKCASE HEATER SWITCH (M6)
0150M00008	FAN BLADE 22" TNT2203-25 (M1, M2)
0150G00002	FAN BLADE SWEPT-WING (M4, M5)
0150M00011	FAN BLADE SWEPT-WING (M6)
B1086765	FAN BLADE TYPE 3 (M3)
0163R00003	HEATER, CRANKCASE 230V 40W (M6)
0130M00074	HIGH PRESSURE SWITCH
0130M00075	LOW PRESSURE SWITCH
PCBDM133	PCB, DEFROST CONTROL
PCBFM103	PCB, TIME DELAY, EBTDR (M1, M2, M4)
0131M00467	PROGRAMMED MOTOR (M5)
0131M00462	PROGRAMMED MOTOR (M3)
0131M00460	PROGRAMMED MOTOR (M6)
0151M00021	REVERSING VALVE (M3, M4, M5, M6)
0151M00019	REVERSING VALVE (M1, M2)
B1225022	SOLENOID COIL
0130M00138	TRANSFORMER, 208/230, 24V

Expanded Model Nomenclature

M1 - DP13HM2441AA
M2 - DP13HM3041AA
M3 - DP13HM3641AA
M4 - DP13HM4241AA
M5 - DP13HM4841AA
M6 - DP13HM6041AA

Cabinet Assembly

Image 1

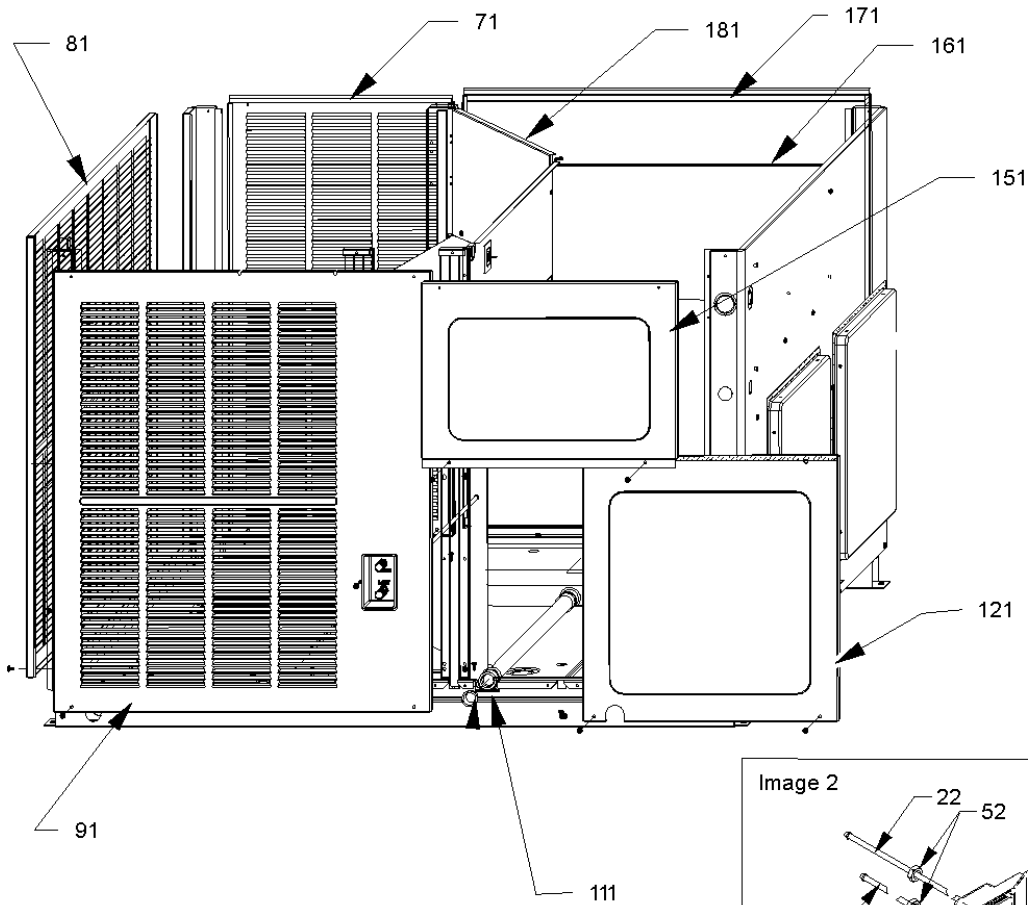
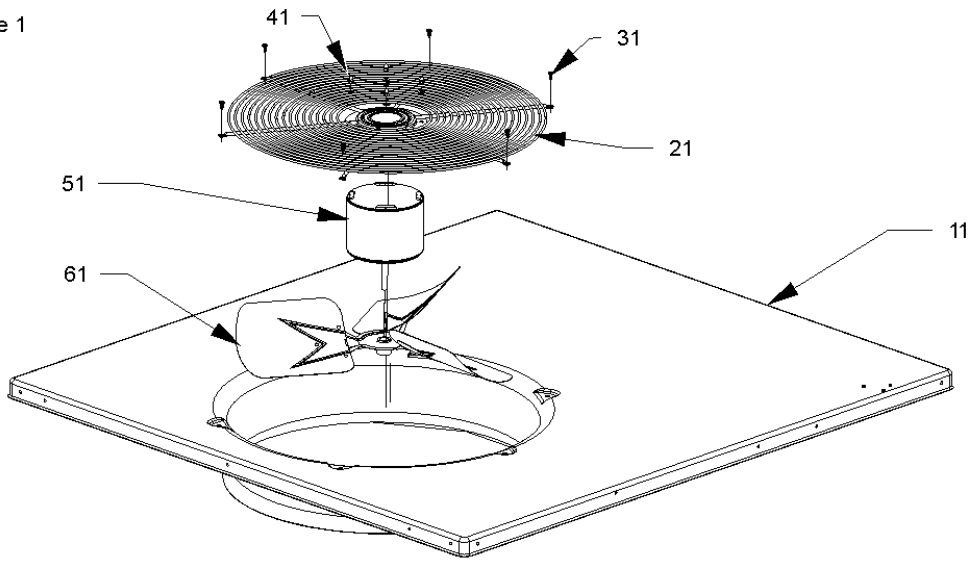
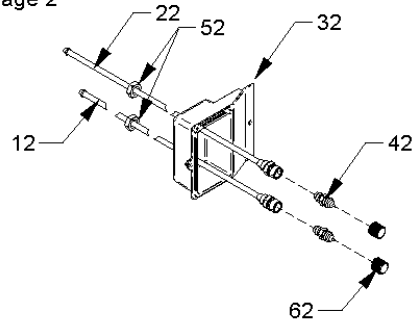


Image 2



Cabinet Assembly

Ref. Part No: No:	Description:	Ref. Part No: No:	Description:
-------------------	--------------	-------------------	--------------

Image 1:

11	0121G00156NG	PNL, TOP, PNT
21	0152G00000	FAN GRILLE, RAISED (M3, M4, M5, M6)
21	0152G00002	GRILLE-FAN (M1, M2)
31	M0221817	SMALL SCREW (M1, M2, M6)
41	0163M00006P	ACORN NUT 5/16 HEX BLACK (QTY 4)
51	0131M00061	COND MOTOR 1/4 HP, 1 SP, 8 PL (M1, M2, M3)
51	0131M00429	COND MOTOR, 1/4 HP, 1 SP, 6 PL (M4, M5, M6)
61	0150M00008	FAN BLADE 22" TNT2203-25 (M1, M2)
61	0150G00002	FAN BLADE SWEPT-WING (M4, M5)
61	0150M00011	FAN BLADE SWEPT-WING (M6)
61	B1086765	FAN BLADE TYPE 3 (M3)
71	20467701NG	LOUVERED PANEL, COND SIDE 32" (M1, M2, M3, M4)
71	20467702NG	LOUVERED PANEL, COND SIDE 40" (M5, M6)
81	20464401NG	LOUVERED PANEL, COND SIDE 32" (M1, M2, M3, M4)
81	20464402NG	LOUVERED PANEL, COND SIDE 40" (M5, M6)
91	0121G00146NG	LOUVERED PANEL 4 BANK 32.5", COMP SIDE (M1, M2, M3, M4)
91	0121G00147NG	LOUVERED PANEL 4 BANK 40", COMP SIDE (M6)
91	0121G00145NG	LVR, COMP, 2BANK, CNVRT, 40" (M5)
111	0261G00000	DRAIN PIPE
121	0121G00165NG	PNL, BLO, CNVRT, 32.5", PNT (M1, M2, M3, M4)
121	0121G00168NG	PNL, BLO, CNVRT, 40" PNT (M5, M6)
151	0121G00213NG	CONTROL BOX PANEL
161	0121G00219	EVAP BLOCK-OFF, TOP 32.5" (M1, M2, M3, M4)
161	0121G00220	EVAP BLOCK-OFF, TOP 40" (M5, M6)
171	20464801NG	DOOR -BLOWER 32, PNT (M1, M2, M3, M4)
171	20464806NG	DOOR-BLOWER 40, PNT (M5, M6)
181	0221G00013P	FAN SHROUD
NS	17788000083F	PVC CONDUIT 8.25"

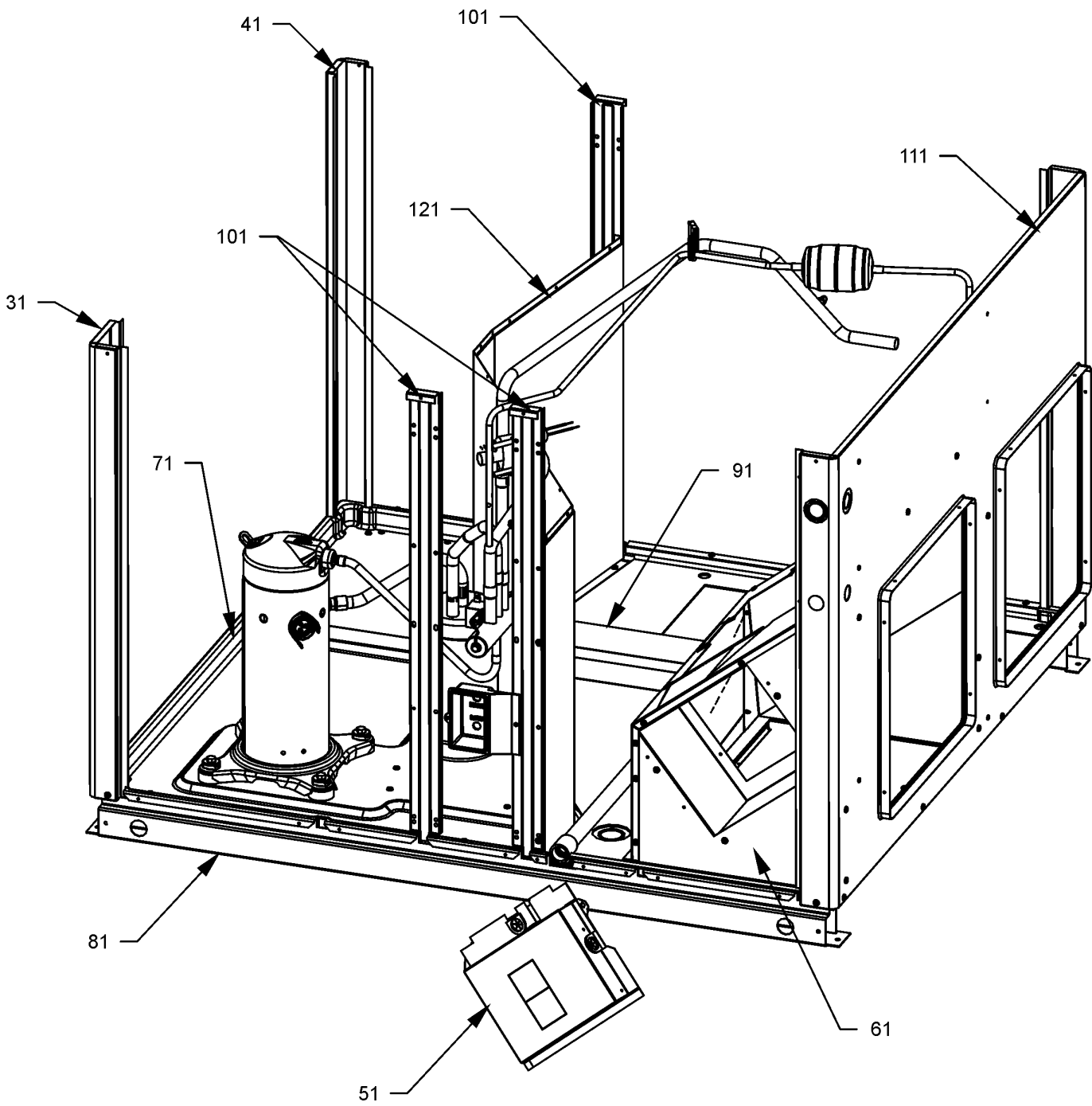
Image 2:

12	0210G00031P	PROCESS TUBE ASSY-SUCTION
22	0210G00390	PROCESS TUBING ASSY (M1, M2, M3, M4)
22	0210G00392	PROCESS TUBING ASSY (M5, M6)
32	0161G00008	ACCESS-FITTING BOX
42	B1373315	ACCESS FITTING (QTY 2)
52	0163G00000P	FASTEST FITTING NUT (QTY 2)
62	0163M00175	CAP WITH O-RING (QTY 2)

Expanded Model Nomenclature

M1 - DP13HM2441AA
M2 - DP13HM3041AA
M3 - DP13HM3641AA
M4 - DP13HM4241AA
M5 - DP13HM4841AA
M6 - DP13HM6041AA

Panels and Supports



Panels and Supports

Ref. Part No:	No:	Description:	Ref. Part No:	No:	Description:
<i>Image 1:</i>					
31	20464201NG	CORNER POST-COMP END 32" (M1, M2, M3, M4)			
31	20464202NG	CORNER POST-COMP END 40" (M5, M6)			
41	20464301NG	CORNER POST-HAIRPIN END 32" (M1, M2, M3, M4)			
41	20464302NG	CORNER POST-HAIRPIN END 40" (M5, M6)			
51	0121G00528	COVER, HK (QTY 2)			
61	0221G00014	BLOWER TRANSITION ASSY			
71	0121G00444	BASEPAN, PACKAGE			
81	0121G00290	BASE PAN RAIL (QTY 2)			
91	0161G00003	PLASTIC DRIP PAN (M1, M2, M3, M4)			
101	0121G00460	POST-SUPPORT, SIDE (M1, M2, M3, M4)			
101	0121G00462	POST-SUPPORT, SIDE (M5, M6)			
111	0121G00440NG	DUCT PANEL 32" (M1, M2, M3, M4)			
111	0121G00441NG	DUCT PANEL 40" (M5, M6)			
121	0121G00511	INSULATED ASSY, PARTITION PANEL 40 (M5, M6)			
121	0121G00510	PARTITION PANEL (M1, M2, M3, M4)			
NS	0121G00235	FAN BAFFLE			

Expanded Model Nomenclature

M1 - DP13HM2441AA
M2 - DP13HM3041AA
M3 - DP13HM3641AA
M4 - DP13HM4241AA
M5 - DP13HM4841AA
M6 - DP13HM6041AA

Tubing / Coil Assemblies

Image 1

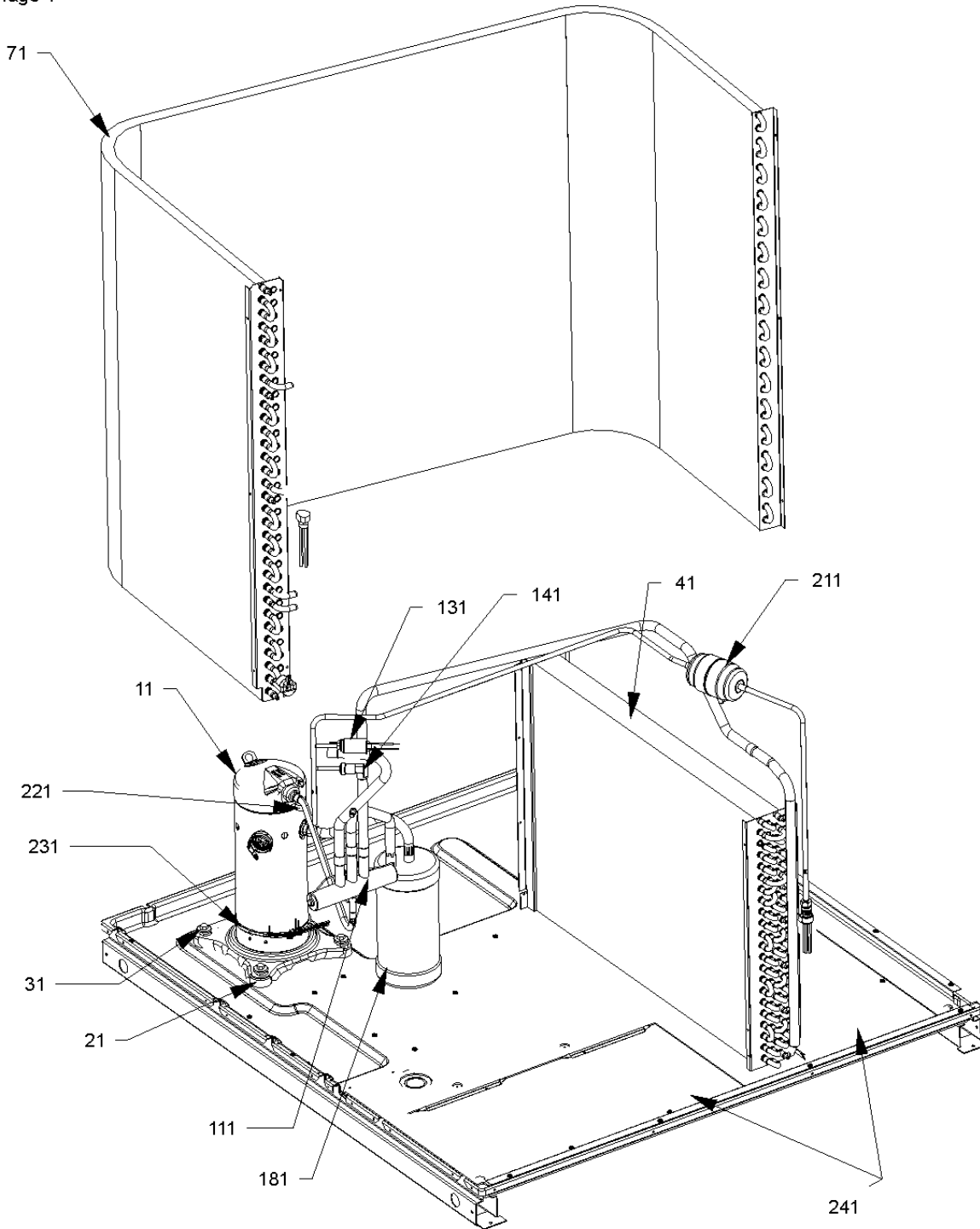
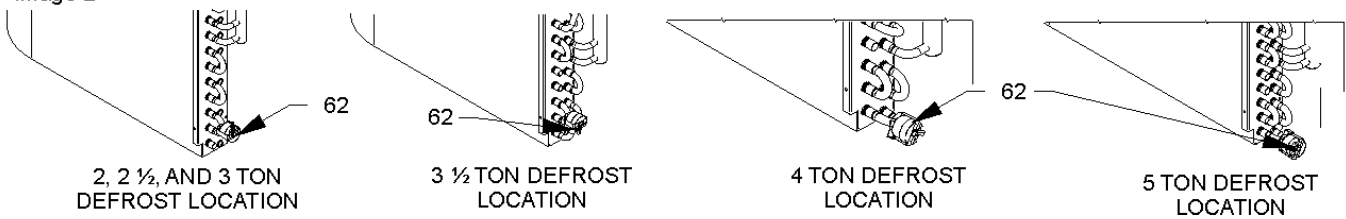


Image 2



Tubing / Coil Assemblies

Ref. Part No: No:	Description:	Ref. Part No: No:	Description:
-------------------	--------------	-------------------	--------------

Image 1:

11	ZP42K5EPFV130	COMP, 42000, 208/230/60/1 (M5)
11	ZP21K5EPFV130	COMP,21300,208/230/60/1 (M1)
11	ZP36K5EPFV130	COMP,36200,208/230/60/1 (M4)
11	ZP25K5EPFV130	COMPRESSOR 25200, 208/230/60/1 (M2)
11	ZP31K5EPFV130	COMPRESSOR 31100, 208/230/60/1 (M3)
11	ZP51K5EPFV130	COMPRESSOR 51000, 208/230/60/1 (M6)
21	B1339533	COMPRESSOR GROMMET (QTY 4)
31	M0221641	TF SHOULDER SCREW (QTY 4)
41	0202G00455	EVAP COIL ASSY (M1)
41	0202G00456	EVAP COIL ASSY (M2)
41	0202G00457	EVAP COIL ASSY (M3)
41	0202G00458	EVAP COIL ASSY (M4)
41	0202G00459	EVAP COIL ASSY (M5)
41	0202G00460	EVAP COIL ASSY (M6)
71	0201G00180	COND COIL ASSY (M2)
71	0201G00303	COND COIL ASSY (M1)
71	0201G00304	COND COIL ASSY (M3)
71	0201G00305	COND COIL ASSY (M4)
71	0201G00306	COND COIL ASSY (M5)
71	0201G00307	COND COIL ASSY (M6)
111	0151M00019	REVERSING VALVE (M1, M2)
111	0151M00021	REVERSING VALVE (M3, M4, M5, M6)
131	0130M00074	HIGH PRESSURE SWITCH
141	0130M00075	LOW PRESSURE SWITCH
181	B1226206	ACCUMULATOR (M1, M2)
181	B1226207	ACCUMULATOR .875 (M3, M4, M5, M6)
211	20485201	BI-FLOW FILTER DRIER
221	0230G00005	CRANKCASE HEATER SWITCH (M6)
231	0163R00003	HEATER, CRANKCASE 230V 40W (M6)
241	0121G00148	SINGLE COVER, DOWN DISCHARGE (QTY 2)
NS	0159G00002	COMPRESSOR SCROLL HARNESS (M1, M2, M3, M4, M5)
NS	0159G00005	COMPRESSOR SCROLL HARNESS (M6)

Image 2:

62	0130M00099	CONTROL, DEFROST (M1, M2)
62	0130M00102	CONTROL, DEFROST (M3, M4, M5, M6)
NS	B1225022	SOLENOID COIL

Expanded Model Nomenclature

M1 - DP13HM2441AA
M2 - DP13HM3041AA
M3 - DP13HM3641AA
M4 - DP13HM4241AA
M5 - DP13HM4841AA
M6 - DP13HM6041AA

Control Panel / Blower Assembly

Image 1

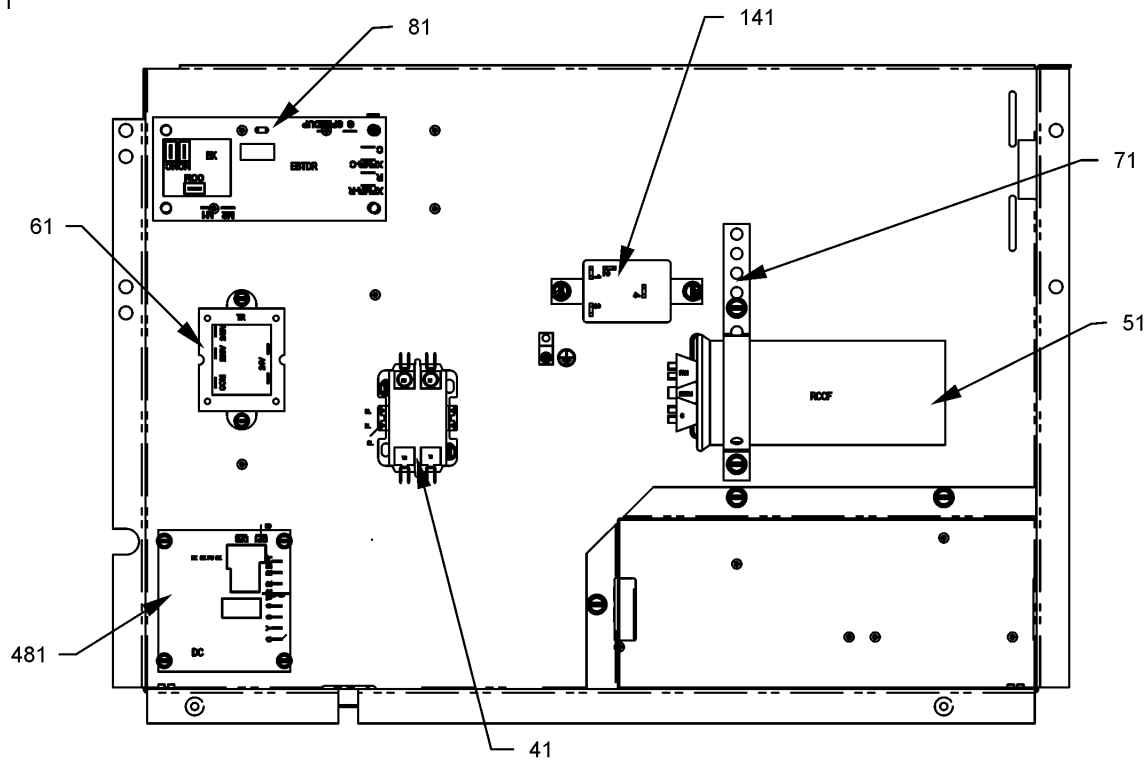
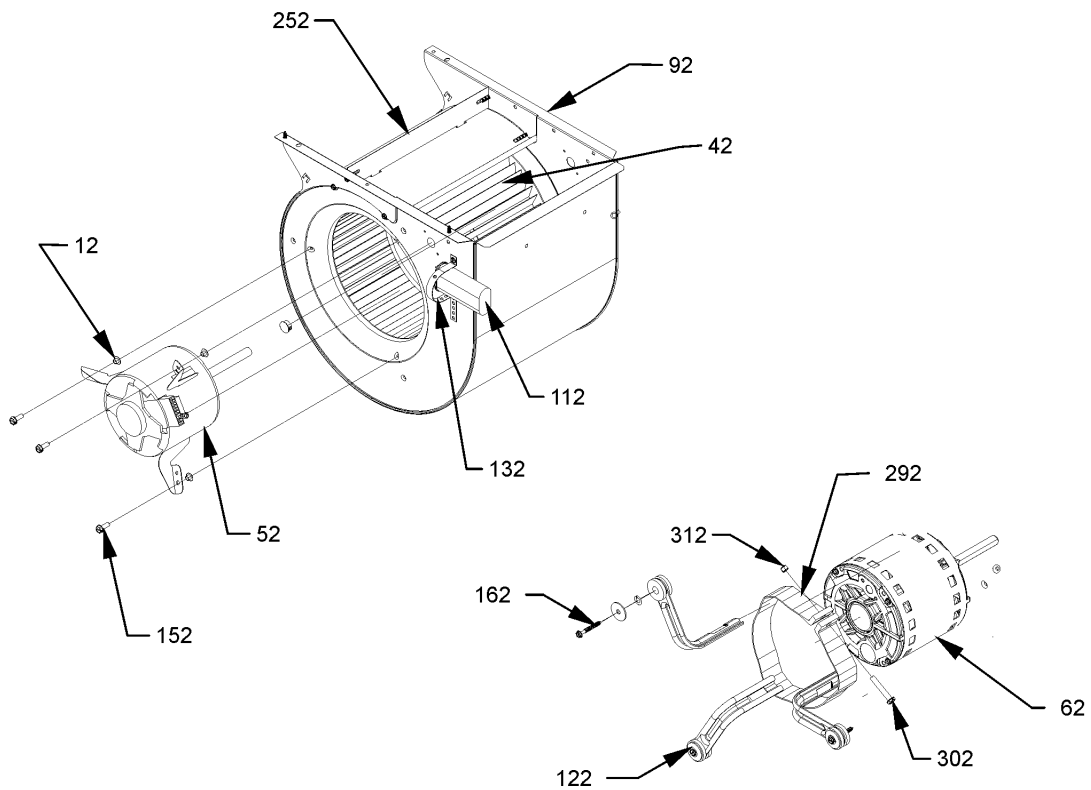


Image 2



Control Panel / Blower Assembly

Ref. Part No: No:	Description:	Ref. Part No: No:	Description:
-------------------	--------------	-------------------	--------------

Image 1:

41	CONT1P025024V	CONTACTOR 25 AMP, 1P, 24V (M1, M2, M3, M4)
41	CONT2P040024V	CONTACTOR 40 AMP, 2P, 24V (M5, M6)
51	CAP050700440RT	CAP,5/70 MFD/440V/DUAL RD (M5, M6)
51	CAP050400440RT	CAPACITOR 5/40/440V (M1, M2)
51	CAP050450440RT	CAPACITOR 5/45/440V (M3, M4)
61	0130M00138	TRANSFORMER, 208/230, 24V
71	20520901	CAPACITOR STRAP
81	PCBFM103	PCB, TIME DELAY, EBTDR (M1, M2, M4)
141	0130M00014	240 VOLT RELAY (M1, M2, M4)
481	PCBDM133	PCB, DEFROST CONTROL
NS	B1393802	SUPPORT, 2-WING BOARD, .187 MT (M1, M2)
NS	0259G00070	WIRE HARNESS, ELECTRIC HEAT (M3, M5, M6)
NS	0259G00094	WIRE HARNESS, ELECTRIC HEAT (M1, M2, M4)

Image 2:

12	B1392143	GROMMET, 26TAL F/TORSIN FLEX (M1, M2, M4)
42	D6723303	BLOWER WHEEL
52	0131M00062	BLOWER MOTOR 1/3 HP, 3 SP, 6 PL (M2)
52	11091203	BLOWER MOTOR 1/3 HP, 3 SP, 6 PL (M4)
52	11091207	BLOWER MOTOR 1/4 HP, 3 SP, 8 PL (M1)
62	0131M00460	PROGRAMMED MOTOR (M6)
62	0131M00462	PROGRAMMED MOTOR (M3)
62	0131M00467	PROGRAMMED MOTOR (M5)
92	0271G00024	BLOWER HOUSING ASSY 10 X 9
112	CAP100000370VA	CAPACITOR 10/370V [BLOWER] (M1, M2, M4)
122	B1376857	MOTOR MOUNT ARM (M3, M5, M6)
132	20520901	CAPACITOR STRAP (M1, M2, M6)
152	M0250558	TC SCREW (M1, M2, M4)
162	M0250565	TC SCREW 1.25" (M3, M5, M6)
252	764742	BLOWER BLOCK-OFF
292	0121M00038	MOTOR MOUNT BAND (M3, M5, M6)
302	B1393323	MACHINE SCREW HWH 1/4-20 X 1-1/2 BZ (M3, M5, M6)
312	B1393800	LOCKNUT, NYLON, INSERT 1/4, 20 (M3, M5, M6)
NS	0259G00065	BLOWER HARNESS (M3, M5, M6)
NS	B821700	CAPACITOR BOOT (M1, M2, M4)

Expanded Model Nomenclature

- | |
|-------------------|
| M1 - DP13HM2441AA |
| M2 - DP13HM3041AA |
| M3 - DP13HM3641AA |
| M4 - DP13HM4241AA |
| M5 - DP13HM4841AA |
| M6 - DP13HM6041AA |