



DP13GM COMMERCIAL

Cooling Capacities:

36,000 to 56,500 BTU/h

Heating Capacities:

92,000 BTU/h to 138,000 BTU/h

3, 4, & 5-TON, THREE-PHASE PACKAGED GAS/ELECTRIC

13 SEER / 80% AFUE

■ Contents

Nomenclature.....	2
Accessories	2
Product Specifications.....	3
Expanded Cooling Data	4
Airflow Specifications.....	10
Dimensions	12
Wiring Diagrams	13



■ Standard Features

- Energy-efficient compressor with internal relief valve
- EEM blower motor; PSC blower motor on 3-ton units
- Durable, corrosion-resistant aluminized-steel tubular heat exchanger
- Fully charged R-410A system
- Copper tube / aluminum fin condenser coils
- All-aluminum evaporator coils
- Gas valve for natural gas with easy conversion to propane
- Direct-spark ignition system includes a microprocessor-based control for the entire ignition sequence
- All blower operation and all safety circuits complete with self-diagnostics
- All models comply with California Low NOx emission standards
- AHRI Certified; ETL Certified

■ Cabinet Features

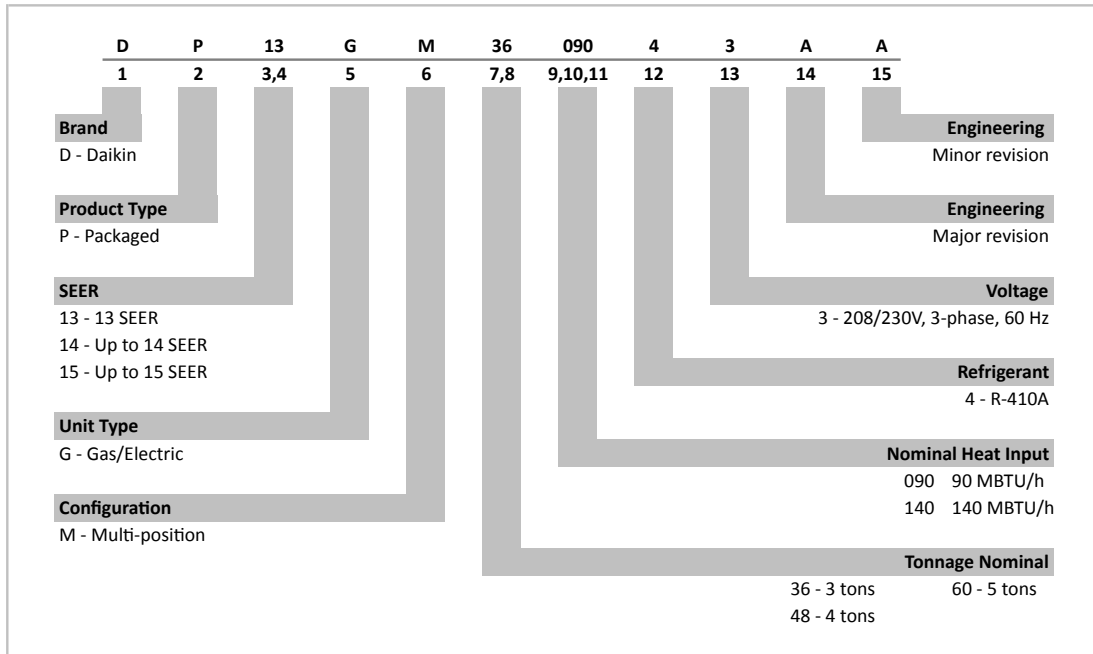
- Heavy-gauge galvanized-steel cabinet with Nickel Gray powder-paint finish
- Fully insulated blower compartment with convenient access panels
- Louvered condenser coil protection
- One footprint; two heights



* Complete warranty details available from your local dealer or at www.daikincomfort.com.



NOMENCLATURE



ACCESSORIES

ITEM	DESCRIPTION	FITS CHASSIS SIZE
14CRBPGCHMA	14" Tall Roof Curb	All Sizes
DDN25FDPGCHMM	25% Manual Downflow Fresh Air Damper	Medium
DDN25FDPGCHML	25% Manual Downflow Fresh Air Damper	Large
DHZ25FDPGCHMM	25% Manual Horizontal Fresh Air Damper	Medium
DHZ25FDPGCHML	25% Manual Horizontal Fresh Air Damper	Large
DDN25MFDPGCHMM	25% Motorized Downflow Fresh Air Damper	Medium
DDN25MFDPGCHML	25% Motorized Downflow Fresh Air Damper	Large
DHZ25MFDPGCHMM	25% Motorized Horizontal Fresh Air Damper	Medium
DHZ25MFDPGCHML	25% Motorized Horizontal Fresh Air Damper	Large
DDNIFRPGA	Downflow Internal Filter Rack	All Sizes
DDNECNJPGMM	Downflow Economizer	Medium
DDNECNJPGML	Downflow Economizer	Large
DPHFRA	External Horizontal Filter Rack for Electric/Electric Units	All Sizes
HA-02	High-Altitude Kit	All Sizes
20464501NGK	Horizontal Duct Cover	Medium
20464502NGK	Horizontal Duct Cover	Large
DHZECNJPCHM	Horizontal Economizer	Medium
DHZECNJPCHL	Horizontal Economizer	Large
LPT-03A	LP Conversion Kit	Large
SQRPG101/102	Square-to-Round Adapter w/ 16" Round Downflow Application	Medium
SQRPG103	Square-to-Round Adapter w/ 18" Round Downflow Application	Large
SQRPGH101/102	Square-to-Round Adapter w/ 16" Round Horizontal Application	Medium
SQRPGH103	Square-to-Round Adapter w/ 18" Round Horizontal Application	Large

SPECIFICATIONS

	DP13GM36 09043A*	DP13GM48 09043A*	DP13GM60 09043A*	DP13GM60 14043A*
COOLING CAPACITY				
Total BTU/h	35,000	46,000	56,500	56,500
Sensible BTU/h	27,800	36,700	43,800	43,800
SEER / EER	13.0 / 11.0	13.0 / 11.0	13.0 / 10.6	13.0 / 10.6
Decibels	78	80	80	80
AHRI #s	6345689	6345690	6345691	6345691
HEATING CAPACITY				
Input BTU/h	92,000	92,000	92,000	138,000
Output BTU/h	73,600	73,600	73,600	110,400
AFUE	80	80	80	80
Temperature Rise Range	45 - 75	45 - 75	45 - 75	45 - 75
No. of Burners	4	4	4	6
Orifice Size (Natural/Propane)	43/ 55	43/ 55	43 / 55	43/ 55
EVAPORATOR MOTOR / COIL				
Type	DD	EEM	EEM	EEM
Wheel (D x W)	10" x 9"	11" x 10"	11" x 10"	11" x 10"
Indoor Nominal CFM	1,250	1,520	1,750	1,750
Motor Speed Tap (Cooling)	low	T4	T4	T4
RPM/Amps (Cooling)	910/3.06	1050/5.8	1,050/7.6	1,050/7.6
Horsepower	¼	¾"	1.0	1.0
Face Area (ft ²)	4.33	5.67	5.67	5.67
Rows Deep/ Fins per Inch	4/ 14	4/ 14	4/ 14	4/14
Piston Size (Cooling)	0.068	0.076	0.087	0.087
Filter Size (ft ²)	4.2	5.1	6.3	6.3
Drain Size (NPT)	¾"	¾"	¾"	¾"
Refrigerant Charge (oz.)	110	125	185	185
CONDENSER FAN				
Horsepower - RPM	¼ - 830	¼ - 1,075	¼ - 1,100	1/4 - 1100
Fan Diameter/ # of Fan Blades	22" / 3	22" / 3	22" / 3	22" / 3
Outdoor Nominal CFM	3,500	3,500	3,250	3,250
COIL				
Face Area (ft ²)	8.7	15.4	15.4	15.4
Rows Deep/ Fins per Inch	2/ 27	1/ 24	2/ 24	2/ 24
COMPRESSOR				
Quantity / Type	1 / Scroll	1 / Scroll	1 / Scroll	1 / Scroll
Stage	Single	Single	Single	Single
Compressor RLA/LRA	10.4/73.0	13.1/83.1	16.0/ 134	16.0/ 134
ELECTRICAL DATA				
Voltage-Phase-Frequency	208/230-3-60	208/230-3-60	208/230-3-60	208/230-3-60
Indoor Blower FLA/ LRA	3.06/ 4.1	5.8	7.6	7.6
Outdoor Fan RLA/ LRA	1.5 / 3.0	1.4/ 2.9	1.4/ 2.9	1.4/ 2.9
Total Unit Amps	15	20.3	25	25
Min. Circuit Ampacity	17.6	23.6	29	29
Max. Overcurrent Protection	25 amps	35 amps	45 amps	45 amps
Entrance Size Power Supply	1½"	1½"	1½"	1½"
Entrance Size Control Voltage	⅞"	⅞"	⅞"	⅞"
OPERATING WEIGHT (LBS)				
	490	523	533	543
SHIP WEIGHT (LBS)				
	513	545	555	565

¹ Wire size should be determined in accordance with National Electrical Codes. Extensive wire runs will require larger wire sizes.

² Must use time-delay fuses or HACR-type circuit breakers of the same size as noted.

Note: Always check the S&R plate for electrical data on the unit being installed.

EXPANDED COOLING DATA — DP13GM36***43A*

IDB		Outdoor Ambient Temperature												Entering Indoor Wet Bulb Temperature												
		65				75				85				95				105				115				
		59	63	67	71	59	63	67	71	59	63	67	71	59	63	67	71	59	63	67	71	59	63	67	71	
70	1350	MBh	35.1	36.4	39.8	-	34.3	35.5	38.9	-	33.4	34.7	38.0	-	32.6	33.8	37.1	-	31.0	32.1	35.2	-	28.7	29.8	32.6	-
		S/T	0.78	0.65	0.45	-	0.81	0.67	0.47	-	0.83	0.69	0.48	-	0.86	0.71	0.49	-	0.89	0.74	0.51	-	0.90	0.75	0.52	-
		ΔT	19	16	12	-	19	16	12	-	19	16	12	-	19	16	12	-	19	16	12	-	18	15	12	-
		kW	2.57	2.62	2.70	-	2.76	2.82	2.90	-	2.93	2.99	3.08	-	3.07	3.14	3.24	-	3.20	3.27	3.37	-	3.31	3.38	3.49	-
	1200	Amps	8.4	8.6	8.8	-	8.9	9.1	9.3	-	9.5	9.7	9.9	-	10.0	10.2	10.4	-	10.5	10.7	10.9	-	11.0	11.2	11.5	-
		HI PR	249	268	283	-	280	301	318	-	318	343	362	-	363	390	412	-	408	439	463	-	451	485	512	-
		LO PR	111	119	129	-	118	125	137	-	122	130	142	-	129	137	149	-	135	143	156	-	139	148	162	-
		MBh	34.1	35.3	38.7	-	33.3	34.5	37.8	-	32.5	33.7	36.9	-	31.7	32.8	36.0	-	30.1	31.2	34.2	-	27.9	28.9	31.7	-
	1050	S/T	0.74	0.62	0.43	-	0.77	0.64	0.45	-	0.79	0.66	0.46	-	0.82	0.68	0.47	-	0.85	0.71	0.49	-	0.85	0.71	0.49	-
		ΔT	19	17	13	-	20	17	13	-	20	17	13	-	20	17	13	-	20	17	13	-	18	16	12	-
		kW	2.49	2.54	2.62	-	2.68	2.73	2.81	-	2.84	2.89	2.98	-	2.98	3.04	3.14	-	3.10	3.16	3.26	-	3.20	3.27	3.37	-
		Amps	8.2	8.3	8.5	-	8.7	8.8	9.0	-	9.2	9.4	9.6	-	9.7	9.9	10.1	-	10.2	10.4	10.6	-	10.6	10.8	11.1	-
75	1350	HI PR	240	258	272	-	269	289	305	-	306	329	347	-	348	375	396	-	392	422	445	-	433	466	492	-
		LO PR	107	114	124	-	113	120	131	-	118	125	136	-	123	131	143	-	129	138	150	-	134	142	155	-
		MBh	31.4	32.6	35.7	-	30.7	31.8	34.9	-	30.0	31.1	34.0	-	29.2	30.3	33.2	-	27.8	28.8	31.5	-	25.7	26.7	29.2	-
		S/T	0.72	0.60	0.41	-	0.74	0.62	0.43	-	0.76	0.64	0.44	-	0.79	0.66	0.46	-	0.82	0.68	0.47	-	0.82	0.69	0.48	-
75	1350	ΔT	20	17	13	-	20	17	13	-	20	17	13	-	20	17	13	-	20	17	13	-	19	16	12	-
		kW	2.59	2.64	2.72	2.81	2.78	2.84	2.93	3.02	2.95	3.01	3.11	3.21	3.10	3.17	3.27	3.37	3.23	3.29	3.40	3.51	3.33	3.41	3.52	3.63
		Amps	8.5	8.6	8.8	9.1	9.0	9.1	9.4	9.6	9.5	9.7	10.0	10.3	10.0	10.2	10.5	10.8	10.5	10.7	11.0	11.4	11.0	11.3	11.6	11.9
		HI PR	252	271	286	299	283	304	321	335	322	346	365	381	366	394	416	434	412	443	468	488	455	490	517	540
	1200	LO PR	113	120	131	139	119	127	138	147	124	131	144	153	130	138	151	161	136	145	158	168	141	150	163	174
		MBh	34.6	35.7	38.6	41.4	33.8	34.8	37.7	40.5	33.0	34.0	36.8	39.5	32.2	33.2	35.9	38.5	30.6	31.5	34.1	36.6	28.4	29.2	31.6	33.9
		S/T	0.85	0.76	0.57	0.37	0.88	0.78	0.59	0.38	0.90	0.80	0.61	0.39	0.93	0.83	0.63	0.40	0.96	0.86	0.65	0.42	0.97	0.87	0.66	0.42
		ΔT	22	21	17	12	23	21	17	12	23	21	17	12	23	21	17	12	23	21	17	12	21	19	16	11
	1050	kW	2.57	2.62	2.70	2.79	2.76	2.82	2.90	3.00	2.93	2.99	3.08	3.18	3.07	3.14	3.24	3.34	3.20	3.27	3.37	3.48	3.31	3.38	3.49	3.60
		Amps	8.4	8.6	8.8	9.0	8.9	9.1	9.3	9.5	9.5	9.7	9.9	10.2	10.0	10.2	10.4	10.7	10.5	10.7	11.0	11.3	11.0	11.2	11.5	11.8
		HI PR	249	268	283	296	280	301	318	332	318	343	362	377	363	390	412	430	408	439	464	483	451	485	512	534
		LO PR	111	119	129	138	118	125	137	146	122	130	142	151	129	137	149	159	135	143	156	167	139	148	162	172
75	1350	MBh	32.0	32.9	35.6	38.2	31.2	32.2	34.8	37.3	30.5	31.4	34.0	36.5	29.7	30.6	33.1	35.6	28.3	29.1	31.5	33.8	26.2	26.9	29.2	31.3
		S/T	0.82	0.73	0.55	0.35	0.84	0.76	0.57	0.37	0.87	0.77	0.59	0.38	0.89	0.80	0.61	0.39	0.93	0.83	0.63	0.40	0.94	0.84	0.63	0.41
		ΔT	23	21	17	12	23	21	17	12	23	21	17	12	23	21	18	12	23	21	17	12	21	20	16	11
		kW	2.51	2.56	2.64	2.72	2.70	2.75	2.84	2.92	2.86	2.92	3.01	3.10	3.00	3.06	3.16	3.26	3.12	3.19	3.29	3.40	3.23	3.30	3.40	3.51
1050	Amps	8.2	8.4	8.6	8.8	8.7	8.9	9.1	9.4	9.3	9.4	9.7	10.0	9.8	9.9	10.2	10.5	10.2	10.4	10.7	11.0	10.7	10.9	11.2	11.6	
	HI PR	242	260	275	287	272	292	309	322	309	332	351	366	352	378	400	417	396	426	450	469	437	470	497	518	
	LO PR	108	115	126	134	114	122	133	141	119	126	138	147	125	133	145	154	131	139	152	162	135	144	157	167	
	MBh	31.4	32.6	35.7	38.7	30.7	31.8	34.9	37.8	30.0	31.1	34.0	36.9	29.2	30.3	33.2	36.0	27.8	28.8	31.5	34.2	25.7	26.7	29.2	31.7	

IDB: Entering Indoor Dry Bulb Temperature
 High & low pressures are measured at the liquid and suction access fittings.
 Shaded area reflects ACCA (TVA) conditions
 Amps: Unit amps (comp.+ evaporator + condenser fan motors)
 kW = Total system power

EXPANDED COOLING DATA — DP13GM36***43A* (CONT.)

IDB		Outdoor Ambient Temperature												Entering Indoor Wet Bulb Temperature											
		65				75				85				95				105				115			
		59	63	67	71	59	63	67	71	59	63	67	71	59	63	67	71	59	63	67	71	59	63	67	71
1350	MBh	36.3	37.1	39.6	42.4	35.5	36.2	38.7	41.4	34.6	35.4	37.8	40.4	33.8	34.5	36.9	39.4	32.1	32.8	35.0	37.4	32.1	32.8	35.0	37.4
	S/T	1.00	0.91	0.74	0.55	1.00	0.94	0.77	0.57	1.00	0.97	0.79	0.59	1.00	1.00	0.81	0.61	1.00	1.00	0.84	0.63	1.00	1.00	0.84	0.63
	ΔT	25	23	20	16	24	23	20	16	24	23	20	16	23	24	20	16	22	22	20	16	22	22	20	16
	kW	2.61	2.66	2.74	2.83	2.80	2.86	2.95	3.04	2.97	3.04	3.13	3.23	3.12	3.19	3.29	3.40	3.25	3.32	3.43	3.54	3.25	3.32	3.43	3.54
	Amps	8.5	8.7	8.9	9.1	9.0	9.2	9.4	9.7	9.6	9.8	10.0	10.3	10.1	10.3	10.6	10.9	10.6	10.8	11.1	11.5	10.6	10.8	11.1	11.5
	HI PR	255	274	289	302	286	307	325	338	325	350	369	385	370	398	420	438	416	448	473	493	460	495	523	545
LO PR	114	121	132	141	120	128	140	149	125	133	145	154	131	140	152	162	137	146	160	170	142	151	165	176	
1200	MBh	35.3	36.0	38.5	41.1	34.4	35.2	37.6	40.2	33.6	34.3	36.7	39.2	32.8	33.5	35.8	38.3	31.2	31.8	34.0	36.4	31.2	31.8	34.0	36.4
	S/T	0.93	0.87	0.71	0.53	0.96	0.90	0.73	0.55	0.99	0.92	0.75	0.56	1.00	0.95	0.78	0.58	1.00	0.99	0.81	0.60	1.00	1.00	0.81	0.60
	ΔT	25	24	21	17	25	24	21	17	25	24	21	17	25	24	21	17	24	24	21	17	22	23	20	16
	kW	2.59	2.64	2.72	2.81	2.78	2.84	2.93	3.02	2.95	3.01	3.11	3.21	3.10	3.17	3.27	3.37	3.23	3.30	3.40	3.51	3.23	3.30	3.40	3.51
	Amps	8.5	8.6	8.8	9.1	9.0	9.1	9.4	9.6	9.5	9.7	10.0	10.3	10.0	10.2	10.5	10.8	10.5	10.7	11.0	11.4	11.0	11.3	11.6	11.9
	HI PR	252	271	286	299	283	304	321	335	322	346	365	381	366	394	416	434	412	443	468	488	455	490	517	540
LO PR	113	120	131	139	119	127	138	147	124	132	144	153	130	138	151	161	136	145	158	168	141	150	163	174	
1050	MBh	32.5	33.2	35.5	38.0	31.8	32.5	34.7	37.1	31.0	31.7	33.9	36.2	30.3	30.9	33.0	35.3	28.8	29.4	31.4	33.6	26.6	27.2	29.1	31.1
	S/T	0.89	0.84	0.68	0.51	0.93	0.87	0.71	0.53	0.95	0.89	0.73	0.54	0.98	0.92	0.75	0.56	1.02	0.95	0.78	0.58	1.03	0.96	0.78	0.59
	ΔT	25	24	21	17	26	25	21	17	26	25	22	17	26	25	22	17	26	25	21	17	24	23	20	16
	kW	2.53	2.58	2.66	2.74	2.72	2.77	2.86	2.95	2.88	2.94	3.03	3.13	3.03	3.09	3.19	3.29	3.15	3.22	3.32	3.43	3.25	3.32	3.43	3.54
	Amps	8.3	8.4	8.6	8.9	8.8	8.9	9.2	9.4	9.3	9.5	9.8	10.0	9.8	10.0	10.3	10.6	10.3	10.5	10.8	11.1	10.8	11.0	11.3	11.6
	HI PR	244	263	278	290	274	295	312	325	312	336	354	370	355	382	404	421	400	430	454	474	442	475	502	523
LO PR	109	116	127	135	115	123	134	143	120	128	139	148	126	134	146	156	132	140	153	163	137	145	159	169	
1350	MBh	36.9	37.7	39.4	42.1	36.1	36.8	38.5	41.1	35.2	35.9	37.6	40.1	34.4	35.0	36.7	39.1	32.6	33.3	34.9	37.2	30.2	30.8	32.3	34.4
	S/T	1.00	0.98	0.89	0.72	1.00	1.00	0.92	0.75	1.00	1.00	0.94	0.77	1.00	1.00	0.97	0.79	1.00	1.00	0.96	0.82	1.00	1.00	0.97	0.83
	ΔT	25	25	24	21	25	25	24	21	24	24	24	21	23	24	24	21	22	23	24	21	21	21	21	19
	kW	2.63	2.68	2.77	2.85	2.83	2.88	2.97	3.07	3.00	3.06	3.16	3.26	3.15	3.22	3.32	3.43	3.28	3.35	3.46	3.57	3.39	3.46	3.58	3.69
	Amps	8.6	8.7	8.9	9.2	9.1	9.3	9.5	9.8	9.7	9.9	10.1	10.4	10.2	10.4	10.7	11.0	10.7	10.9	11.2	11.5	11.2	11.4	11.7	12.1
	HI PR	257	277	292	305	288	310	328	342	328	353	373	389	374	402	425	443	420	452	478	498	464	500	528	550
LO PR	115	122	133	142	121	129	141	150	126	134	146	156	132	141	154	164	139	148	161	172	144	153	167	178	
1200	MBh	35.9	36.6	38.3	40.9	35.0	35.7	37.4	39.9	34.2	34.9	36.5	39.0	33.4	34.0	35.6	38.0	31.7	32.3	33.8	36.1	29.4	29.9	31.3	33.4
	S/T	0.97	0.94	0.85	0.69	1.00	0.97	0.88	0.71	1.00	1.00	0.90	0.73	1.00	1.00	0.93	0.75	1.00	1.00	0.96	0.78	1.00	1.00	0.97	0.79
	ΔT	27	26	25	21	27	27	25	22	26	26	25	22	26	26	25	22	24	25	25	22	22	23	23	20
	kW	2.61	2.66	2.74	2.83	2.80	2.86	2.95	3.04	2.97	3.04	3.13	3.23	3.12	3.19	3.29	3.40	3.25	3.32	3.43	3.54	3.36	3.44	3.55	3.66
	Amps	8.5	8.7	8.9	9.1	9.0	9.2	9.4	9.7	9.6	9.8	10.0	10.3	10.1	10.3	10.6	10.9	10.6	10.8	11.1	11.5	11.1	11.3	11.6	12.0
	HI PR	255	274	289	302	286	307	325	338	325	350	369	385	370	398	420	438	416	448	473	493	460	495	523	545
LO PR	114	121	132	141	120	128	140	149	125	133	145	154	131	140	152	162	137	146	160	170	142	151	165	176	
1050	MBh	33.1	33.7	35.3	37.7	32.3	33.0	34.5	36.8	31.6	32.2	33.7	36.0	30.8	31.4	32.9	35.1	29.3	29.8	31.2	33.3	27.1	27.6	28.9	30.9
	S/T	0.94	0.90	0.82	0.66	0.97	0.94	0.85	0.69	1.00	0.96	0.87	0.70	1.00	0.99	0.90	0.73	1.00	1.00	0.93	0.75	1.00	1.00	0.94	0.76
	ΔT	27	27	25	22	27	27	26	22	28	27	26	22	27	27	26	22	26	26	25	22	24	24	24	21
	kW	2.55	2.60	2.68	2.76	2.74	2.79	2.88	2.97	2.90	2.96	3.06	3.15	3.05	3.11	3.21	3.32	3.17	3.24	3.34	3.45	3.28	3.35	3.46	3.57
	Amps	8.4	8.5	8.7	8.9	8.8	9.0	9.2	9.5	9.4	9.6	9.8	10.1	9.9	10.1	10.3	10.7	10.4	10.6	10.9	11.2	10.9	11.1	11.4	11.7
	HI PR	247	266	281	293	277	298	315	328	315	339	358	373	359	386	408	425	404	434	459	478	446	480	507	529
LO PR	110	117	128	136	117	124	135	144	121	129	141	150	127	135	148	157	133	142	155	165	138	147	160	171	

IDB: Entering Indoor Dry Bulb Temperature
 High & low pressures are measured at the liquid and suction access fittings.
 Shaded area reflects AHRI (TVA) conditions
 Amps: Unit amps (comp.+ evaporator + condenser fan motors)
 kW = Total system power

EXPANDED COOLING DATA — DP13GM48***43A*

IDB	AIRFLOW	Outdoor Ambient Temperature												Entering Indoor Wet Bulb Temperature												
		65				75				85				95				105				115				
		59	63	67	71	59	63	67	71	59	63	67	71	59	63	67	71	59	63	67	71	59	63	67	71	
70	1700	MBh	45.4	47.0	51.5	-	44.3	45.9	50.3	-	43.3	44.9	49.1	-	42.2	43.8	47.9	-	40.1	41.6	45.5	-	37.2	38.5	42.2	-
		S/T	0.78	0.65	0.45	-	0.81	0.68	0.47	-	0.83	0.69	0.48	-	0.86	0.71	0.50	-	0.89	0.74	0.51	-	0.90	0.75	0.52	-
	ΔT	19	17	13	-	19	17	13	-	19	17	13	-	20	17	13	-	19	17	13	-	18	16	12	-	
	kW	3.28	3.34	3.44	-	3.51	3.58	3.68	-	3.71	3.79	3.90	-	3.89	3.97	4.09	-	4.04	4.13	4.25	-	4.17	4.26	4.39	-	
	Amps	11.7	11.9	12.1	-	12.3	12.5	12.7	-	13.0	13.2	13.4	-	13.5	13.7	14.0	-	14.1	14.3	14.6	-	14.6	14.9	15.2	-	
	HI PR	241	259	274	-	270	291	307	-	308	331	349	-	350	377	398	-	394	424	448	-	435	468	495	-	
	LO PR	115	123	134	-	122	129	141	-	126	135	147	-	133	141	154	-	139	148	162	-	144	153	167	-	
	MBh	44.7	46.3	50.8	-	43.7	45.3	49.6	-	42.6	44.2	48.4	-	41.6	43.1	47.2	-	39.5	41.0	44.9	-	36.6	37.9	41.6	-	
	S/T	0.75	0.62	0.43	-	0.77	0.65	0.45	-	0.79	0.66	0.46	-	0.82	0.68	0.47	-	0.85	0.71	0.49	-	0.86	0.72	0.50	-	
	ΔT	20	17	13	-	20	18	13	-	20	18	13	-	21	18	14	-	20	18	13	-	19	16	12	-	
kW	3.26	3.32	3.42	-	3.49	3.56	3.66	-	3.69	3.77	3.88	-	3.87	3.95	4.07	-	4.02	4.10	4.23	-	4.15	4.24	4.37	-		
Amps	11.7	11.9	12.1	-	12.3	12.4	12.7	-	12.9	13.1	13.4	-	13.5	13.7	14.0	-	14.0	14.2	14.6	-	14.6	14.8	15.1	-		
HI PR	239	258	272	-	269	289	305	-	305	329	347	-	348	374	395	-	391	421	445	-	432	465	491	-		
LO PR	114	122	133	-	121	129	140	-	126	134	146	-	132	140	153	-	138	147	161	-	143	152	166	-		
MBh	41.3	42.8	46.9	-	40.3	41.8	45.8	-	39.4	40.8	44.7	-	38.4	39.8	43.6	-	36.5	37.8	41.4	-	33.8	35.0	38.4	-		
S/T	0.72	0.60	0.42	-	0.75	0.62	0.43	-	0.77	0.64	0.44	-	0.79	0.66	0.46	-	0.82	0.69	0.47	-	0.83	0.69	0.48	-		
ΔT	21	18	14	-	21	18	14	-	21	18	14	-	21	18	14	-	21	18	14	-	19	17	13	-		
kW	3.19	3.25	3.34	-	3.41	3.48	3.58	-	3.61	3.68	3.79	-	3.78	3.86	3.97	-	3.93	4.01	4.13	-	4.05	4.14	4.26	-		
Amps	11.5	11.7	11.9	-	12.1	12.2	12.5	-	12.7	12.9	13.1	-	13.2	13.4	13.7	-	13.8	14.0	14.3	-	14.3	14.5	14.9	-		
HI PR	232	250	264	-	260	280	296	-	296	319	337	-	337	363	383	-	380	408	431	-	419	451	477	-		
LO PR	111	118	129	-	117	125	136	-	122	130	141	-	128	136	149	-	134	143	156	-	139	148	161	-		
75	1700	MBh	46.2	47.5	51.4	55.2	45.1	46.4	50.2	53.9	44.0	45.3	49.0	52.6	42.9	44.2	47.8	51.4	40.8	42.0	45.5	48.8	37.8	38.9	42.1	45.2
		S/T	0.89	0.79	0.60	0.39	0.92	0.82	0.62	0.40	0.94	0.84	0.64	0.41	0.97	0.87	0.66	0.42	1.00	0.90	0.68	0.44	1.00	0.91	0.69	0.44
	ΔT	22	20	17	12	22	21	17	12	22	21	17	12	23	21	17	12	22	21	17	12	20	19	16	11	
	kW	3.30	3.37	3.46	3.57	3.53	3.60	3.71	3.82	3.74	3.82	3.93	4.05	3.92	4.00	4.12	4.25	4.07	4.16	4.29	4.42	4.21	4.29	4.43	4.57	
	Amps	11.8	12.0	12.2	12.5	12.4	12.6	12.8	13.1	13.0	13.2	13.5	13.8	13.6	13.8	14.1	14.5	14.2	14.4	14.7	15.1	14.7	15.0	15.3	15.7	
	HI PR	243	262	277	289	273	294	310	324	311	334	353	368	354	381	402	419	398	428	452	472	440	473	500	521	
	LO PR	116	124	135	144	123	131	143	152	128	136	148	158	134	143	156	166	141	150	163	174	145	155	169	180	
	MBh	45.5	46.8	50.7	54.4	44.4	45.7	49.5	53.1	43.4	44.6	48.3	51.9	42.3	43.6	47.1	50.6	40.2	41.4	44.8	48.1	37.2	38.3	41.5	44.5	
	S/T	0.85	0.76	0.58	0.37	0.88	0.79	0.60	0.38	0.90	0.81	0.61	0.39	0.93	0.83	0.63	0.41	0.97	0.87	0.65	0.42	0.98	0.87	0.66	0.42	
	ΔT	23	22	18	12	24	22	18	12	24	22	18	12	24	22	18	12	24	22	18	12	22	20	17	11	
kW	3.29	3.35	3.45	3.55	3.52	3.59	3.69	3.80	3.72	3.79	3.91	4.03	3.90	3.98	4.10	4.23	4.05	4.14	4.26	4.40	4.18	4.27	4.40	4.54		
Amps	11.8	11.9	12.2	12.4	12.3	12.5	12.8	13.1	13.0	13.2	13.5	13.8	13.5	13.8	14.1	14.4	14.1	14.3	14.7	15.0	14.7	14.9	15.2	15.6		
HI PR	242	260	275	287	271	292	308	321	308	332	351	366	351	378	399	416	395	425	449	468	437	470	496	518		
LO PR	116	123	134	143	122	130	142	151	127	135	147	157	133	142	155	165	140	149	162	173	144	154	168	179		
MBh	42.0	43.2	46.8	50.2	41.0	42.2	45.7	49.0	40.0	41.2	44.6	47.9	39.0	40.2	43.5	46.7	37.1	38.2	41.3	44.4	34.4	35.4	38.3	41.1		
S/T	0.82	0.73	0.55	0.36	0.85	0.76	0.57	0.37	0.87	0.78	0.59	0.38	0.90	0.80	0.61	0.39	0.93	0.83	0.63	0.41	0.94	0.84	0.64	0.41		
ΔT	24	22	18	12	24	22	18	13	24	22	18	13	24	22	18	13	24	22	18	12	22	21	17	12		
kW	3.21	3.28	3.37	3.47	3.44	3.51	3.61	3.72	3.64	3.71	3.82	3.94	3.81	3.89	4.00	4.13	3.96	4.04	4.16	4.29	4.09	4.17	4.30	4.43		
Amps	11.6	11.7	12.0	12.2	12.1	12.3	12.5	12.8	12.8	12.9	13.2	13.5	13.3	13.5	13.8	14.1	13.8	14.1	14.4	14.7	14.4	14.6	15.0	15.3		
HI PR	234	252	266	278	263	283	299	312	299	322	340	355	341	367	387	404	383	413	436	454	424	456	481	502		
LO PR	112	119	130	139	118	126	138	146	123	131	143	152	129	138	150	160	135	144	157	168	140	149	163	173		

IDB: Entering Indoor Dry Bulb Temperature
 High & low pressures are measured at the liquid and suction access fittings.
 Shaded area reflects ACCA (TVA) conditions
 Amps: Unit amps (comp.+ evaporator + condenser fan motors)
 kW = Total system power

EXPANDED COOLING DATA — DP13GM60***43A*

IDB	AIRFLOW	Outdoor Ambient Temperature												IDB												
		65				75				85					95				105				115			
		59	63	67	71	59	63	67	71	59	63	67	71		59	63	67	71	59	63	67	71	59	63	67	71
70	2035	MBh	56.3	58.4	64.0	-	55.0	57.0	62.5	-	53.7	55.7	61.0	-	52.4	54.3	59.5	-	49.8	51.6	56.5	-	46.1	47.8	52.4	-
		S/T	0.76	0.64	0.44	-	0.79	0.66	0.46	-	0.81	0.68	0.47	-	0.84	0.70	0.49	-	0.87	0.73	0.50	-	0.88	0.73	0.51	-
		ΔT	19	17	13	-	20	17	13	-	20	17	13	-	20	17	13	-	20	17	13	-	18	16	12	-
		kW	4.26	4.35	4.48	-	4.57	4.66	4.80	-	4.84	4.94	5.09	-	5.08	5.18	5.34	-	5.28	5.39	5.56	-	5.45	5.57	5.75	-
		Amps	13.0	13.2	13.5	-	13.7	14.0	14.4	-	14.6	14.9	15.3	-	15.4	15.7	16.1	-	16.2	16.5	17.0	-	17.0	17.3	17.8	-
	1810	HI PR	241	260	274	-	271	291	308	-	308	331	350	-	351	377	399	-	395	425	448	-	436	469	495	-
		LO PR	109	116	127	-	115	123	134	-	120	127	139	-	126	134	146	-	132	140	153	-	136	145	158	-
		MBh	54.7	56.7	62.1	-	53.4	55.4	60.7	-	52.2	54.1	59.2	-	50.9	52.7	57.8	-	48.3	50.1	54.9	-	44.8	46.4	50.9	-
		S/T	0.73	0.61	0.42	-	0.76	0.63	0.44	-	0.78	0.65	0.45	-	0.80	0.67	0.46	-	0.83	0.69	0.48	-	0.84	0.70	0.48	-
		ΔT	20	18	13	-	21	18	13	-	21	18	13	-	21	18	14	-	20	18	13	-	19	16	13	-
1590	kW	4.23	4.32	4.44	-	4.53	4.63	4.77	-	4.80	4.90	5.05	-	5.04	5.14	5.30	-	5.24	5.35	5.52	-	5.41	5.53	5.70	-	
	Amps	12.9	13.1	13.4	-	13.7	13.9	14.3	-	14.5	14.8	15.2	-	15.3	15.6	16.0	-	16.1	16.4	16.8	-	16.8	17.2	17.6	-	
	HI PR	239	257	272	-	268	289	305	-	305	328	346	-	347	374	395	-	391	420	444	-	432	465	491	-	
	LO PR	108	115	125	-	114	121	132	-	119	126	138	-	125	132	145	-	131	139	152	-	135	144	157	-	
	MBh	50.5	52.3	57.3	-	49.3	51.1	56.0	-	48.1	49.9	54.7	-	47.0	48.7	53.3	-	44.6	46.2	50.7	-	41.3	42.8	46.9	-	
75	2035	S/T	0.70	0.59	0.41	-	0.73	0.61	0.42	-	0.75	0.62	0.43	-	0.77	0.64	0.45	-	0.80	0.67	0.46	-	0.81	0.67	0.47	-
		ΔT	21	18	13	-	21	18	14	-	21	18	14	-	21	18	14	-	21	18	14	-	19	17	13	-
		kW	4.14	4.22	4.34	-	4.43	4.52	4.66	-	4.69	4.79	4.93	-	4.92	5.02	5.18	-	5.11	5.22	5.38	-	5.28	5.39	5.56	-
		Amps	12.6	12.8	13.2	-	13.4	13.6	14.0	-	14.2	14.5	14.9	-	15.0	15.3	15.7	-	15.7	16.0	16.5	-	16.5	16.8	17.2	-
		HI PR	232	249	263	-	260	280	296	-	296	318	336	-	337	363	383	-	379	408	431	-	419	451	476	-
	1810	LO PR	105	111	122	-	111	118	129	-	115	122	134	-	121	129	140	-	127	135	147	-	131	139	152	-
		MBh	57.3	59.0	63.9	68.5	56.0	57.6	62.4	66.9	54.6	56.3	60.9	65.3	53.3	54.9	59.4	63.8	50.6	52.1	56.4	60.6	46.9	48.3	52.3	56.1
		S/T	0.87	0.78	0.59	0.38	0.90	0.81	0.61	0.39	0.92	0.83	0.63	0.40	0.95	0.85	0.65	0.42	0.99	0.89	0.67	0.43	1.00	0.89	0.68	0.43
		ΔT	23	21	17	12	23	21	17	12	23	21	17	12	23	21	17	12	23	21	17	12	21	19	16	11
		kW	4.30	4.38	4.51	4.65	4.60	4.70	4.84	4.99	4.88	4.98	5.13	5.29	5.12	5.22	5.39	5.56	5.32	5.43	5.61	5.79	5.50	5.62	5.79	5.98
1590	Amps	13.1	13.3	13.6	14.0	13.8	14.1	14.5	14.9	14.8	15.0	15.4	15.9	15.5	15.8	16.3	16.7	16.3	16.6	17.1	17.6	17.1	17.4	17.9	18.5	
	HI PR	244	262	277	289	274	294	311	324	311	335	354	369	354	381	403	420	399	429	453	472	440	474	501	522	
	LO PR	110	117	128	136	116	124	135	144	121	129	141	150	127	135	148	157	133	142	155	165	138	147	160	170	
	MBh	55.6	57.3	62.0	66.5	54.3	55.9	60.6	65.0	53.0	54.6	59.1	63.4	51.8	53.3	57.7	61.9	49.2	50.6	54.8	58.8	45.5	46.9	50.8	54.5	
	S/T	0.83	0.74	0.56	0.36	0.86	0.77	0.58	0.37	0.88	0.79	0.60	0.38	0.91	0.81	0.62	0.40	0.94	0.84	0.64	0.41	0.95	0.85	0.64	0.41	
2035	ΔT	23	22	18	12	24	22	18	12	24	22	18	12	24	22	18	12	24	22	18	12	22	20	17	11	
	kW	4.26	4.35	4.48	4.61	4.57	4.66	4.80	4.95	4.84	4.94	5.09	5.25	5.08	5.18	5.35	5.51	5.28	5.39	5.56	5.74	5.46	5.57	5.75	5.93	
	Amps	13.0	13.2	13.5	13.9	13.7	14.0	14.4	14.8	14.7	14.9	15.3	15.8	15.4	15.7	16.1	16.6	16.2	16.5	17.0	17.5	17.0	17.3	17.8	18.3	
	HI PR	241	260	274	286	271	291	308	321	308	331	350	365	351	378	399	416	395	425	449	468	436	469	496	517	
	LO PR	109	116	127	135	115	123	134	143	120	127	139	148	126	134	146	156	132	140	153	163	136	145	158	169	
1810	MBh	51.3	52.9	57.2	61.4	50.2	51.6	55.9	60.0	49.0	50.4	54.6	58.6	47.8	49.2	53.2	57.1	45.4	46.7	50.6	54.3	42.0	43.3	46.8	50.3	
	S/T	0.80	0.72	0.54	0.35	0.83	0.74	0.56	0.36	0.85	0.76	0.58	0.37	0.88	0.78	0.59	0.38	0.91	0.81	0.62	0.40	0.92	0.82	0.62	0.40	
	ΔT	24	22	18	12	24	22	18	13	24	22	18	13	24	22	18	13	24	22	18	12	22	21	17	12	
	kW	4.17	4.25	4.37	4.51	4.47	4.56	4.69	4.83	4.73	4.82	4.97	5.13	4.96	5.06	5.22	5.38	5.16	5.26	5.43	5.60	5.32	5.44	5.61	5.79	
	Amps	12.7	12.9	13.2	13.6	13.5	13.7	14.1	14.5	14.3	14.6	15.0	15.4	15.1	15.4	15.8	16.3	15.9	16.2	16.6	17.1	16.6	16.9	17.4	17.9	
1590	HI PR	234	252	266	277	263	283	299	311	299	322	340	354	340	366	387	403	383	412	435	454	423	455	481	501	
	LO PR	106	113	123	131	112	119	130	138	116	124	135	144	122	130	142	151	128	136	149	158	132	141	154	164	

IDB: Entering Indoor Dry Bulb Temperature
 High & low pressures are measured at the liquid and suction access fittings.
 Shaded area reflects ACCA (TVA) conditions
 Amps: Unit amps (comp.+ evaporator + condenser fan motors)
 kW = Total system power

AIRFLOW SPECIFICATIONS

DP13GM - 3-TON, 230/208, 3-PHASE MODELS WITH PSC MOTOR

MOTOR SPEED	HIGH				MEDIUM				LOW			
E.S.P	CFM	WATTS	RPM	AMPS	CFM	WATTS	RPM	AMPS	CFM	WATTS	RPM	AMPS
0.1	1655	604	878	2.67	1469	494	804	2.24	1100	342	665	1.57
0.2	1579	587	903	2.68	1409	480	833	2.15	1037	335	697	1.52
0.3	1483	567	925	2.62	1327	459	866	2.08	991	320	760	1.45
0.4	1407	547	953	2.53	1257	442	903	2.0	926	308	818	1.39
0.5	1329	522	980	2.44	1163	419	942	1.89	831	290	872	1.32
0.6	1210	498	1004	2.35	1094	398	968	1.8	773	279	902	1.25
0.7	1036	464	1033	2.24	942	363	1002	1.65	669	260	945	1.17
0.8	-	-	-	-	-	-	-	-	-	-	-	-

DP13GM - 4-TON, 3-PHASE MODELS WITH EEM MOTOR — HEATING

MOTOR SPEED	HIGH				MEDIUM				LOW			
E.S.P	CFM	WATTS	RPM	AMPS	CFM	WATTS	RPM	AMPS	CFM	WATTS	RPM	AMPS
0.1	-	-	-	-	-	-	-	-	-	-	-	-
0.2	914	125	611	1.07	1105	186	686	1.56	1397	323	801	2.57
0.3	822	134	652	1.14	1024	193	712	1.6	1346	331	828	2.67
0.4	733	140	691	1.2	967	202	747	1.65	1288	342	845	2.76
0.5	664	150	733	1.26	884	214	786	1.76	1273	352	855	2.82
0.6	606	154	765	1.28	816	220	818	1.78	1178	359	889	2.88
0.7	584	162	792	1.32	769	230	854	1.85	1120	369	925	2.97
0.8	551	164	801	1.34	698	236	880	1.89	1057	381	941	3.09

DP13GM - 4-TON, 3-PHASE MODELS WITH EEM MOTOR — COOLING

MOTOR SPEED	T4 (COOLING SPEED)				T5 (COOLING SPEED)			
E.S.P	CFM	WATTS	RPM	AMPS	CFM	WATTS	RPM	AMPS
0.1	-	-	-	-	-	-	-	-
0.2	1593	449	884	3.55	1699	532	921	4.22
0.3	1545	463	905	3.69	1654	539	944	4.25
0.4	1506	476	934	3.82	1610	551	969	4.3
0.5	1448	481	950	3.87	1545	557	989	4.36
0.6	1400	493	972	3.95	1512	566	1002	4.41
0.7	1341	502	991	4.03	1433	578	1019	4.59
0.8	1289	511	1013	4.11	1392	591	1036	4.65

AIRFLOW SPECIFICATIONS WITH EEM MOTOR

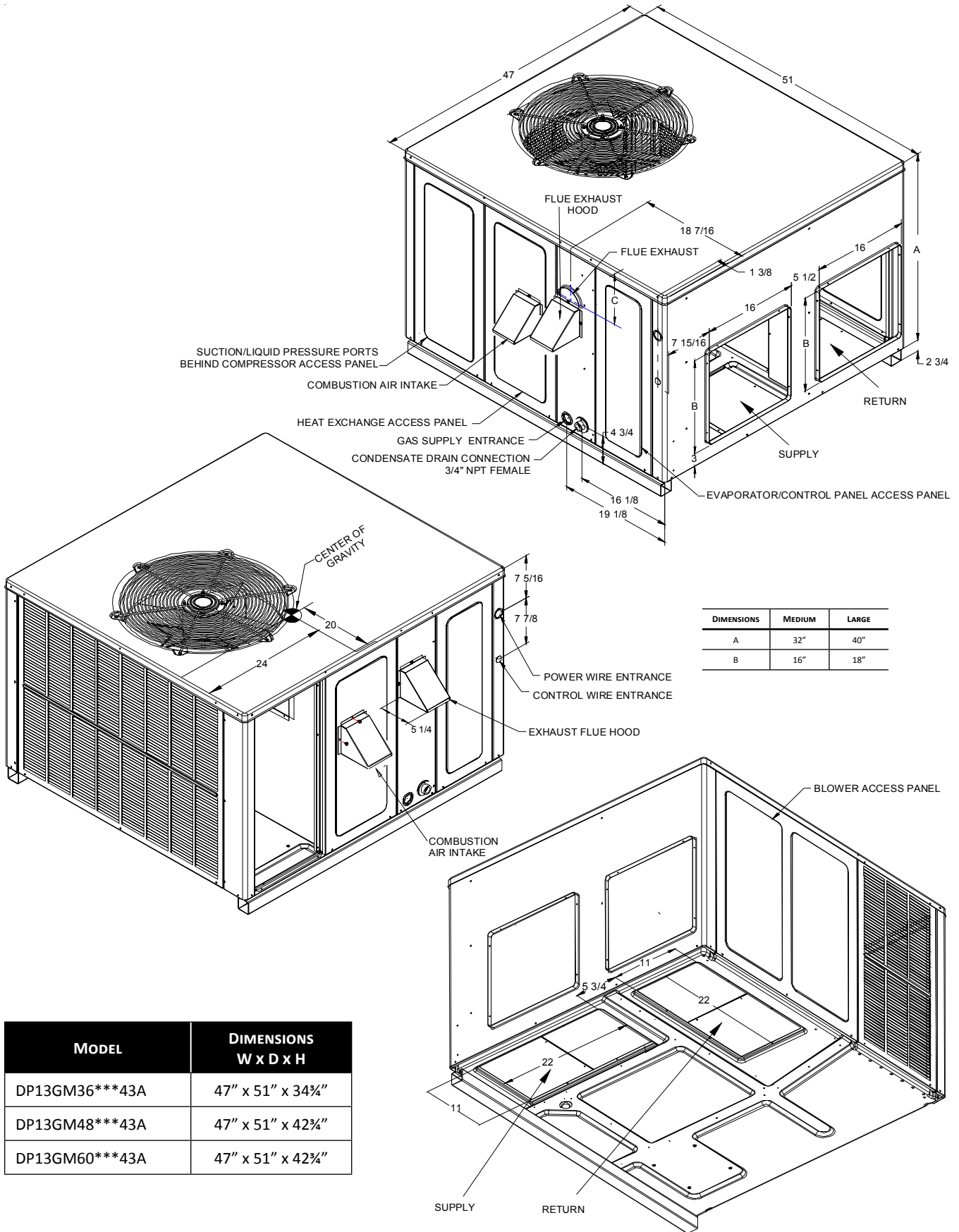
DP13GM - 5-TON, 3-PHASE MODELS — HEATING

MOTOR SPEED	T1 (HEATING SPEED)				T2 (HEATING SPEED)				T3 (HEATING SPEED)			
E.S.P	CFM	WATTS	RPM	AMPS	CFM	WATTS	RPM	AMPS	CFM	WATTS	RPM	AMPS
0.1	1125	162	645	1.44	1466	315	783	2.67	1780	496	914	3.33
0.2	1049	168	678	1.53	1384	322	817	2.74	1730	506	937	3.89
0.3	1000	178	708	1.6	1347	329	839	2.78	1664	520	955	4.01
0.4	910	184	741	1.64	1291	341	865	2.83	1608	526	977	4.03
0.5	857	197	783	1.75	1237	350	894	2.9	1568	532	997	4.12
0.6	809	201	807	1.83	1185	362	921	3.05	1515	546	1020	4.14
0.7	739	207	838	1.86	1134	369	945	3.09	1477	552	1040	4.18
0.8	703	218	869	1.96	1087	382	976	3.21	1422	562	1062	4.23

DP13GM - 5-TON, 3-PHASE MODELS — COOLING

MOTOR SPEED	T4 (COOLING SPEED)				T5 (COOLING SPEED)			
E.S.P	CFM	WATTS	RPM	AMPS	CFM	WATTS	RPM	AMPS
0.1	1942	649	993	4.83	2067	792	1054	5.81
0.2	1883	657	1010	4.87	2030	811	1077	5.85
0.3	1859	670	1029	4.96	1982	814	1088	5.88
0.4	1827	675	1047	4.97	1909	808	1101	5.86
0.5	1749	683	1069	4.99	1842	798	1110	5.85
0.6	1706	693	1083	5.1	1789	772	1117	5.65
0.7	1655	703	1104	5.12	1703	763	1129	5.58
0.8	1588	705	1120	5.11	1618	732	1135	5.29

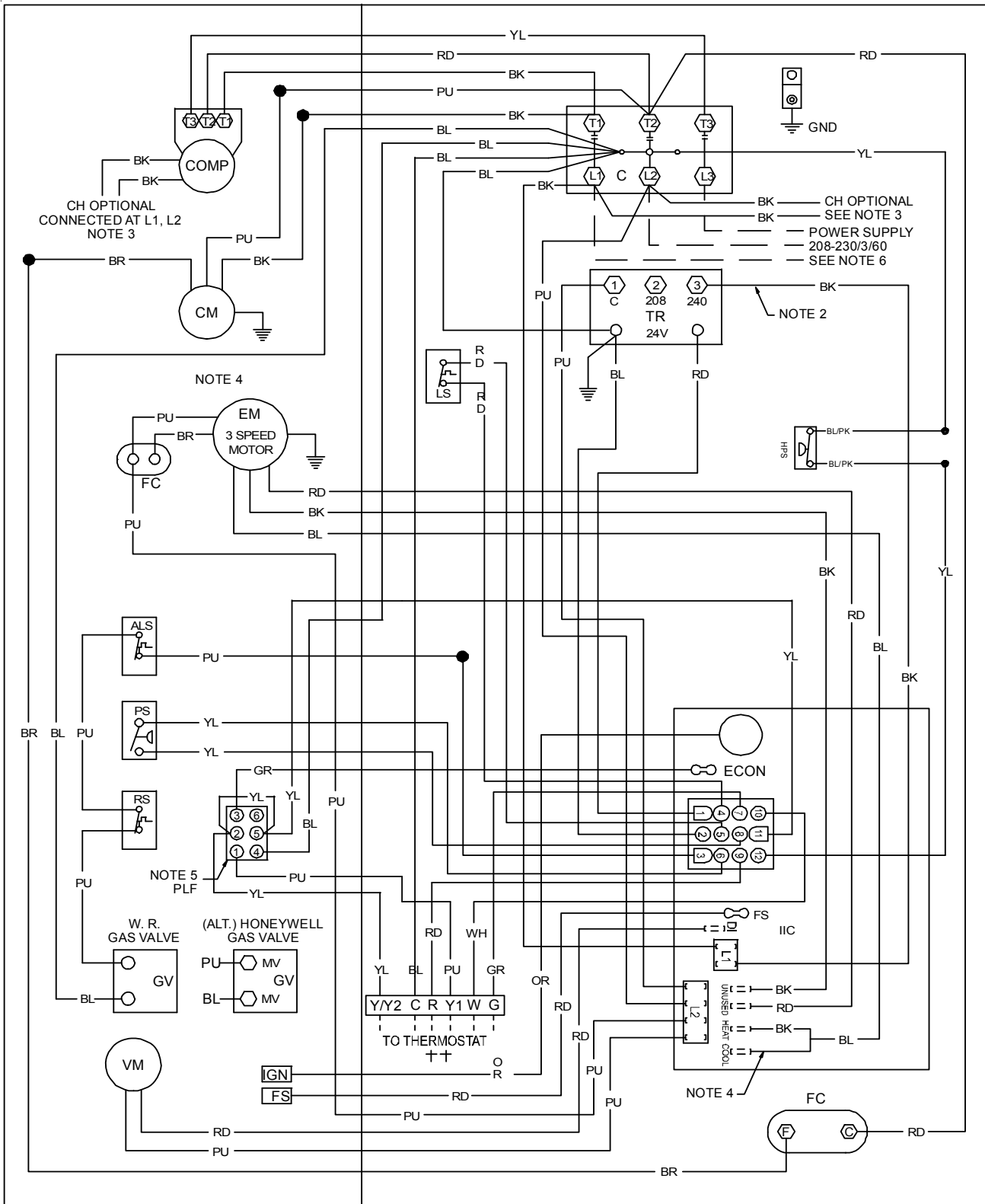
DIMENSIONS



DIMENSIONS	MEDIUM	LARGE
A	32"	40"
B	16"	18"

MODEL	DIMENSIONS W x D x H
DP13GM36***43A	47" x 51" x 34 3/4"
DP13GM48***43A	47" x 51" x 42 3/4"
DP13GM60***43A	47" x 51" x 42 3/4"

WIRING DIAGRAM — DP13GM36***43A*

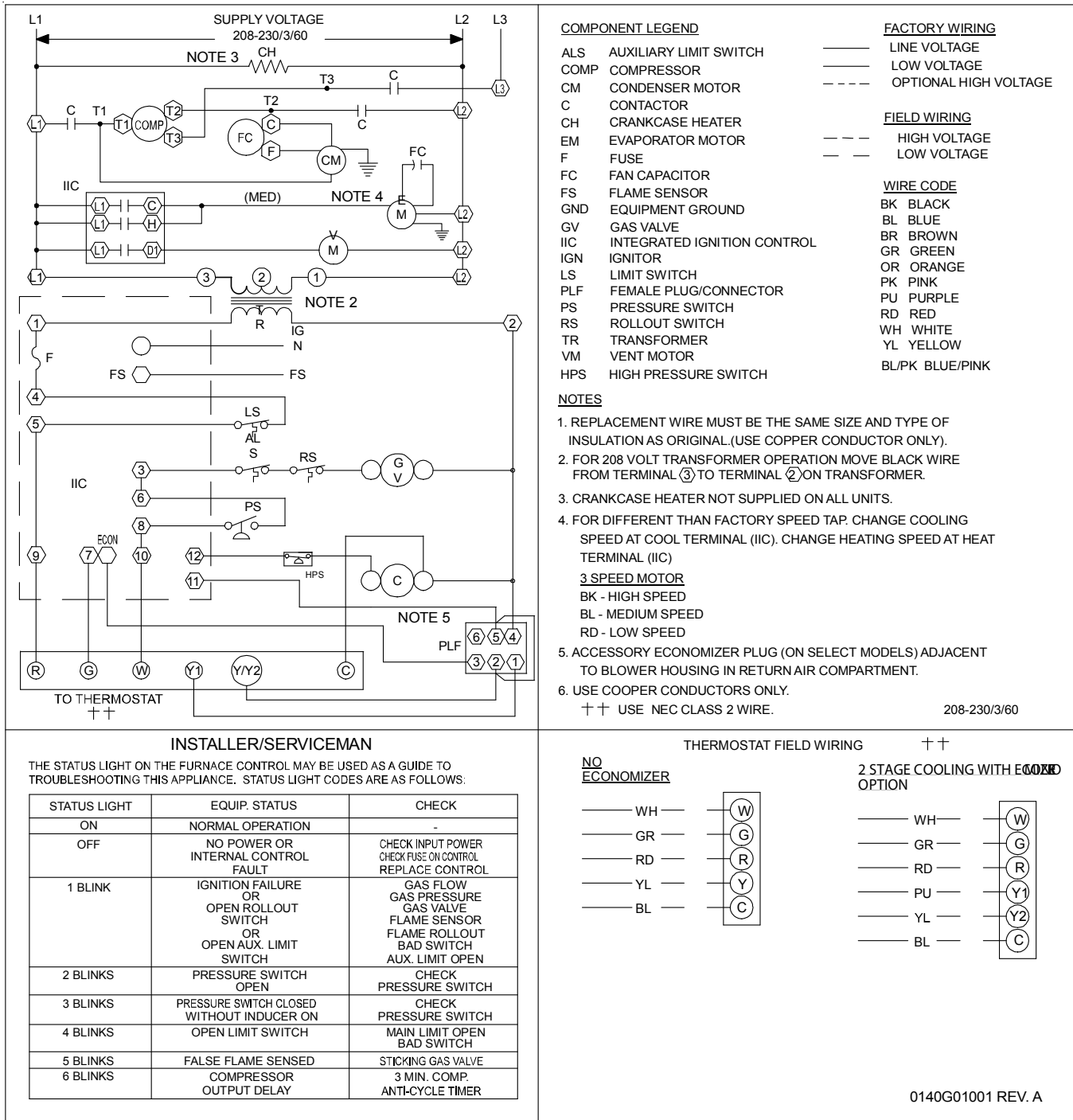


0140G01001 REV. A

Wiring is subject to change. Always refer to the wiring diagram or the unit for the most up-to-date wiring.

	WARNING	<p>High Voltage: Disconnect all power before servicing or installing this unit. Multiple power sources may be present. Failure to do so may cause property damage, personal injury, or death.</p>	
--	----------------	--	--

WIRING DIAGRAM — DP13GM36***43A* (CONT.)



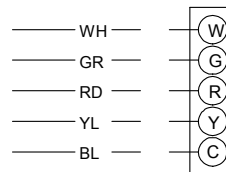
INSTALLER/SERVICEMAN

THE STATUS LIGHT ON THE FURNACE CONTROL MAY BE USED AS A GUIDE TO TROUBLESHOOTING THIS APPLIANCE. STATUS LIGHT CODES ARE AS FOLLOWS:

STATUS LIGHT	EQUIP. STATUS	CHECK
ON	NORMAL OPERATION	-
OFF	NO POWER OR INTERNAL CONTROL FAULT	CHECK INPUT POWER CHECK FUSE ON CONTROL REPLACE CONTROL
1 BLINK	IGNITION FAILURE OR OPEN ROLLOUT SWITCH OR OPEN AUX. LIMIT SWITCH	GAS FLOW GAS PRESSURE GAS VALVE FLAME SENSOR FLAME ROLLOUT BAD SWITCH AUX. LIMIT OPEN
2 BLINKS	PRESSURE SWITCH OPEN	CHECK PRESSURE SWITCH
3 BLINKS	PRESSURE SWITCH CLOSED WITHOUT INDUCER ON	CHECK PRESSURE SWITCH
4 BLINKS	OPEN LIMIT SWITCH	MAIN LIMIT OPEN BAD SWITCH
5 BLINKS	FALSE FLAME SENSED	STICKING GAS VALVE
6 BLINKS	COMPRESSOR OUTPUT DELAY	3 MIN. COMP. ANTI-CYCLE TIMER

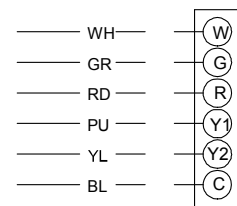
THERMOSTAT FIELD WIRING

NO ECONOMIZER



++

2 STAGE COOLING WITH ECONOMIZER OPTION

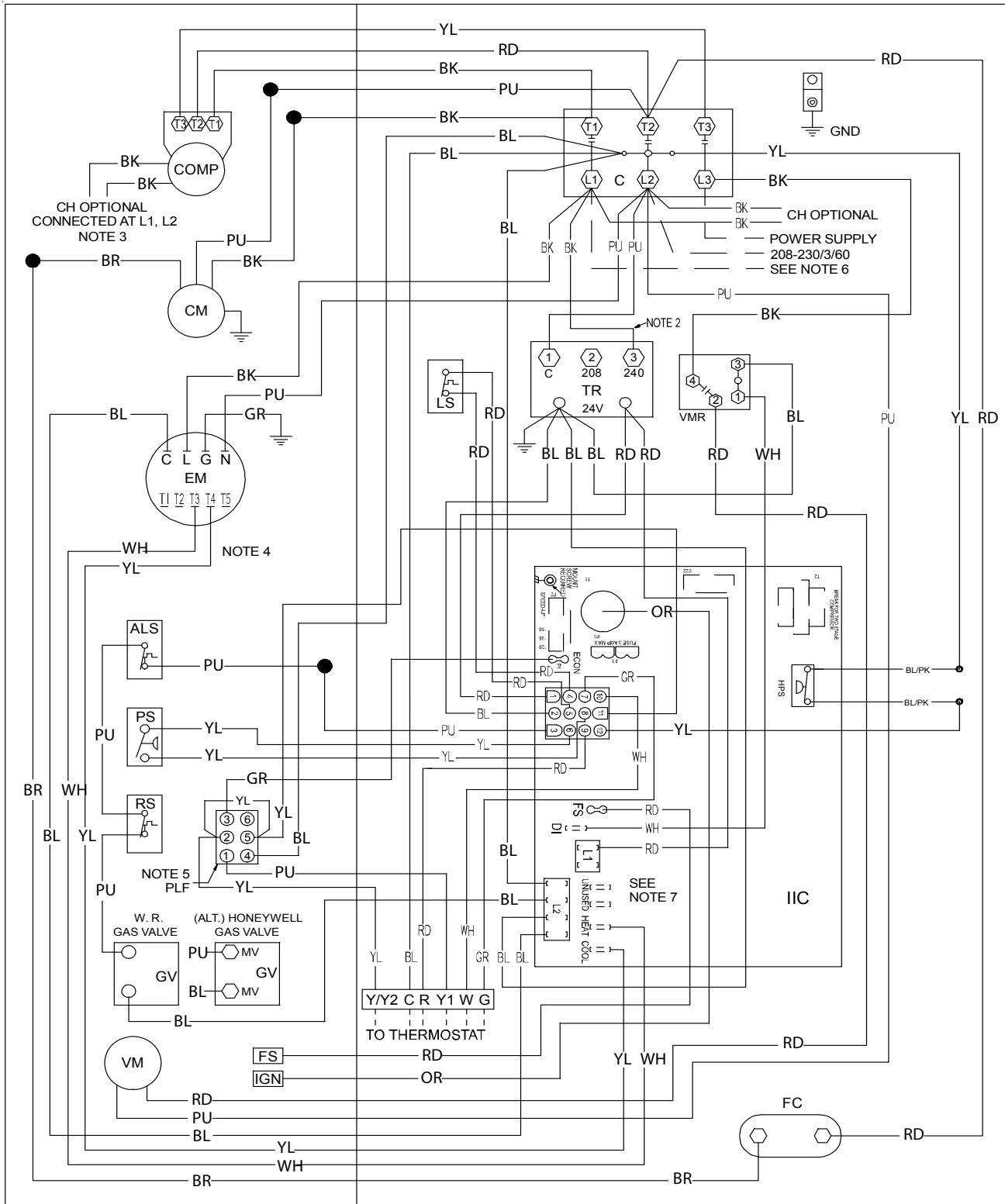


0140G01001 REV. A

Wiring is subject to change. Always refer to the wiring diagram or the unit for the most up-to-date wiring.



WARNING High Voltage: Disconnect all power before servicing or installing this unit. Multiple power sources may be present. Failure to do so may cause property damage, personal injury, or death.

WIRING DIAGRAM — DP13GM48-60***43A*

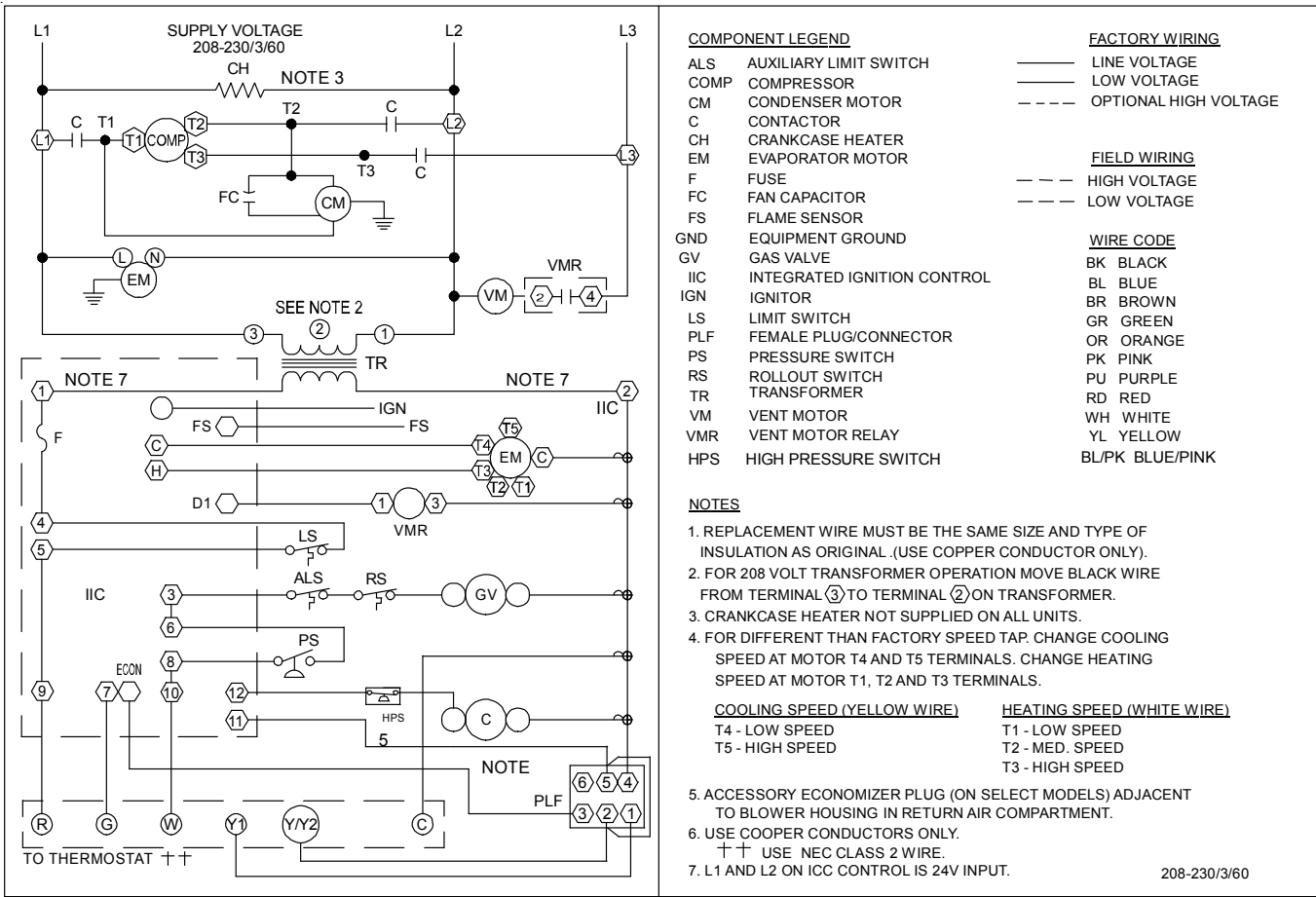


0140G01002 REV. A

Wiring is subject to change. Always refer to the wiring diagram or the unit for the most up-to-date wiring.

 WARNING	High Voltage: Disconnect all power before servicing or installing this unit. Multiple power sources may be present. Failure to do so may cause property damage, personal injury, or death.	
--	---	---

WIRING DIAGRAM — DP13GM48-60***43A* (CONT.)

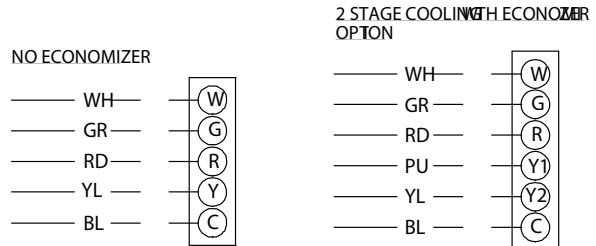


INSTALLER/SERVICEMAN

THE STATUS LIGHT ON THE FURNACE CONTROL MAY BE USED AS A GUIDE TO TROUBLESHOOTING THIS APPLIANCE. STATUS LIGHT CODES ARE AS FOLLOWS:

STATUS LIGHT	EQUIP. STATUS	CHECK
ON	NORMAL OPERATION	-
OFF	NO POWER OR INTERNAL CONTROL FAULT	CHECK INPUT POWER CHECK FUSE ON CONTROL REPLACE CONTROL
1 BLINK	IGNITION FAILURE OR OPEN ROLLOUT SWITCH OR OPEN AUX. LIMIT SWITCH	GAS FLOW GAS PRESSURE GAS VALVE FLAME SENSOR FLAME ROLLOUT BAD SWITCH AUX. LIMIT OPEN
2 BLINKS	PRESSURE SWITCH OPEN	CHECK PRESSURE SWITCH
3 BLINKS	PRESSURE SWITCH CLOSED WITHOUT INDUCER ON	CHECK PRESSURE SWITCH
4 BLINKS	OPEN LIMIT SWITCH	MAIN LIMIT OPEN BAD SWITCH
5 BLINKS	FALSE FLAME SENSED	STICKING GAS VALVE
6 BLINKS	COMPRESSOR OUTPUT DELAY	3 MIN. COMP. ANTI-CYCLE TIMER

THERMOSTAT FIELD WIRING ++



0140G01002 REV. A

Wiring is subject to change. Always refer to the wiring diagram or the unit for the most up-to-date wiring.



High Voltage: Disconnect all power before servicing or installing this unit. Multiple power sources may be present. Failure to do so may cause property damage, personal injury, or death.



Our continuing commitment to quality products may mean a change in specifications without notice.

© 2016 **DAIKIN NORTH AMERICA LLC** • Houston, Texas • Printed in the USA.