

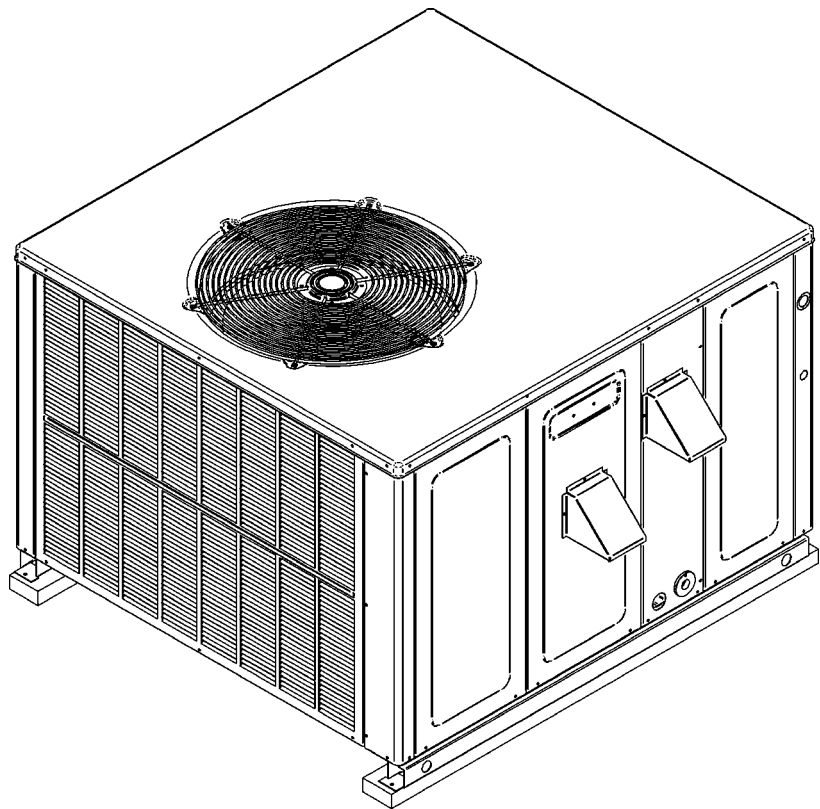
DP13GM Package Gas Units 3-Phase

DP13GM3609043AA

DP13GM4809043AA

DP13GM6009043AA

DP13GM6014043AA



This manual is to be used by qualified technicians only.

© 2013 Daikin Company, L.P. ♦ 5151 San Felipe St., Suite 500 ♦ Houston, TX 77056

Important Information

Index

Functional Parts List	3
Illustration and Parts	4 - 15

Views shown are for parts illustrations only, not servicing procedures.

Introduction of Daikin branded products.

Text Codes:

AR - As Required

NA - Not Available

NS - Not Shown

00000000 - See Note

QTY - Quantity Example (QTY 3) (If Quantity not shown, Quantity = 1)

M - Model Example (M1) (If M Code not shown, then part is used on all Models)

Expanded Model Nomenclature:

Example M1 - Model#1 M2 - Model#2 M3 - Model#3

Daikin Company, L.P. is not responsible for personal injury or property damage resulting from improper service. Review all service information before beginning repairs.

Warranty service must be performed by an authorized technician, using authorized factory parts. If service is required after the warranty expires, Daikin Company, L.P. also recommends contacting an authorized technician and using authorized factory parts.

Daikin Company, L.P. reserves the right to discontinue, or change at any time, specifications or designs without notice or without incurring obligations.

For assistance within the U.S.A. contact:

Consumer Affairs Department
Daikin North America, LLC
7401 Security Way
Houston, Texas 77040
855-770-5678-Telephone
713-863-2382-Facsimile

For assistance outside the U.S.A. contact:

International Division
Daikin North America, LLC
7401 Security Way
Houston, Texas 77040
713-861-2500-Telephone
713-863-2382-Facsimile

Functional Parts

Part

No: Description:

0130M00025	24V RELAY (M2, M3, M4)
20269903	AUXILIARY LIMIT, AUTO RESET
11091203	BLOWER MOTOR 1/3 HP, 3 SP, 6 PL (M1)
0131M00443	BLOWER PROGRAMMED MOTOR (M3, M4)
0131M00442	BLOWER PROGRAMMED MOTOR (M2)
D6723303	BLOWER WHEEL (M1)
B1368000	BLOWER WHEEL 11 X 10 (M2, M3, M4)
CAP050000370VAP	CAP, 5 MFD/370V/OVAL
CAP100000370VAP	CAPACITOR 10/370V [BLOWER] (M1)
ZP31K5ETF5130	COMPRESSOR 31200, 200/230/60/3 (M1)
ZP39K5ETF5130	COMPRESSOR 39000, 200/230/60/3 (M2)
ZP51K5ETF5130	COMPRESSOR 51000, 208/230/60/3 (M3, M4)
0131M00429	COND MOTOR 1/4 HP, 1 SP, 6 PL (M2, M3, M4)
0131M00061	COND MOTOR 1/4 HP, 1 SP, 8 PL (M1)
CONT3P025024V	CONTACTOR 25 AMP, 3P, 24V
0150G00003	FAN BLADE SWEPT-WING (M2, M3, M4)
0150G00002	FAN BLADE-SWEPT WING (M1)
0130F00010	FLAME SENSOR
0130M00074	HIGH PRESSURE SWITCH
PCBAG123	IGNITION BOARD, DSI INTEGRATED
0130F00014	IGNITOR
10728344	LIMIT SWITCH (M2, M3)
10728343	LIMIT SWITCH (M1, M4)
10123532	MANUAL RESET LIMIT 350°F
0131G00007	MOTOR, ID BLOWER
11112501	PRESSURE SWITCH
B1141643	TRANSFORMER 208/230, 24V
0151M00013	VALVE, GAS (HW) SINGLE STAGE

Expanded Model Nomenclature

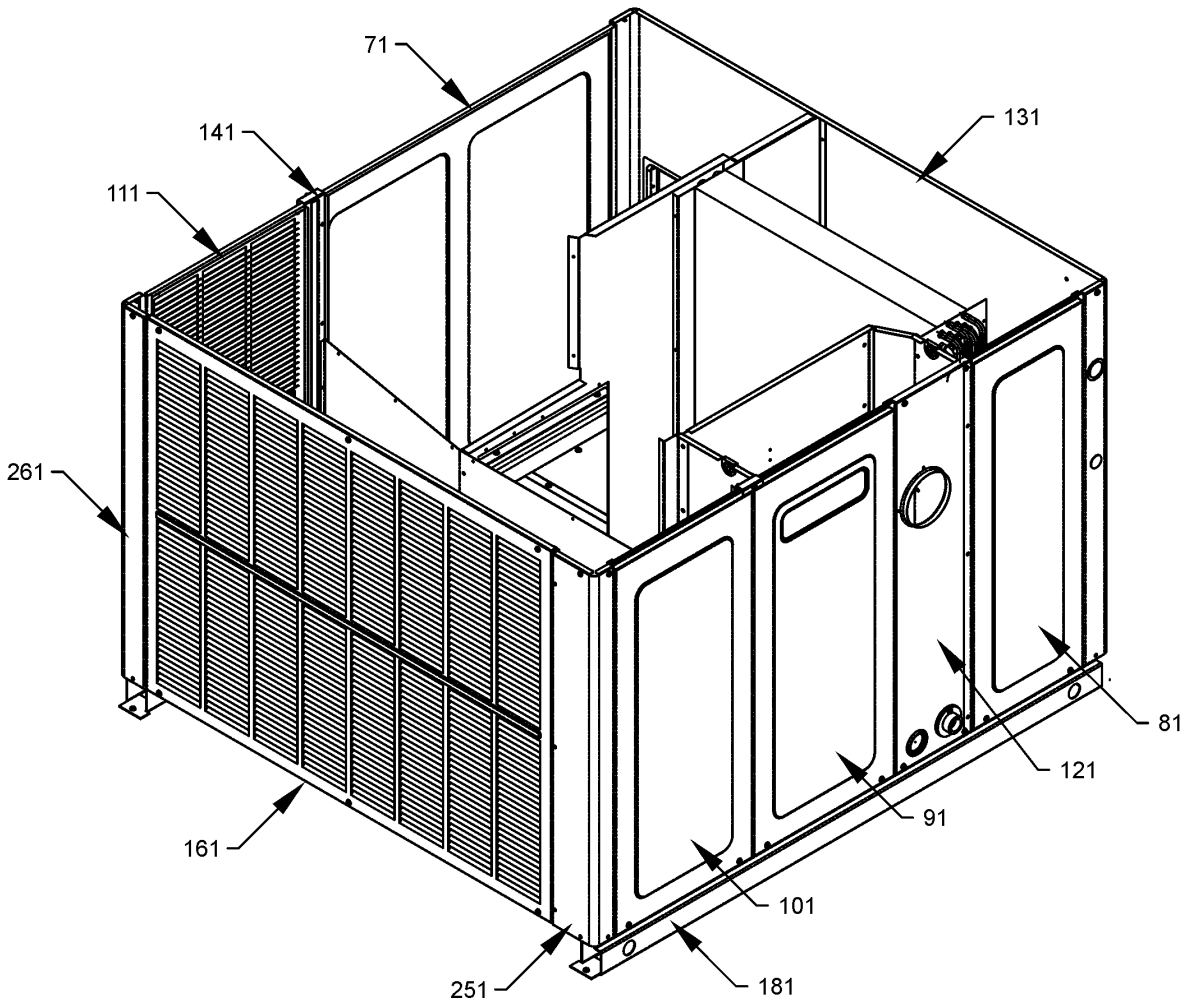
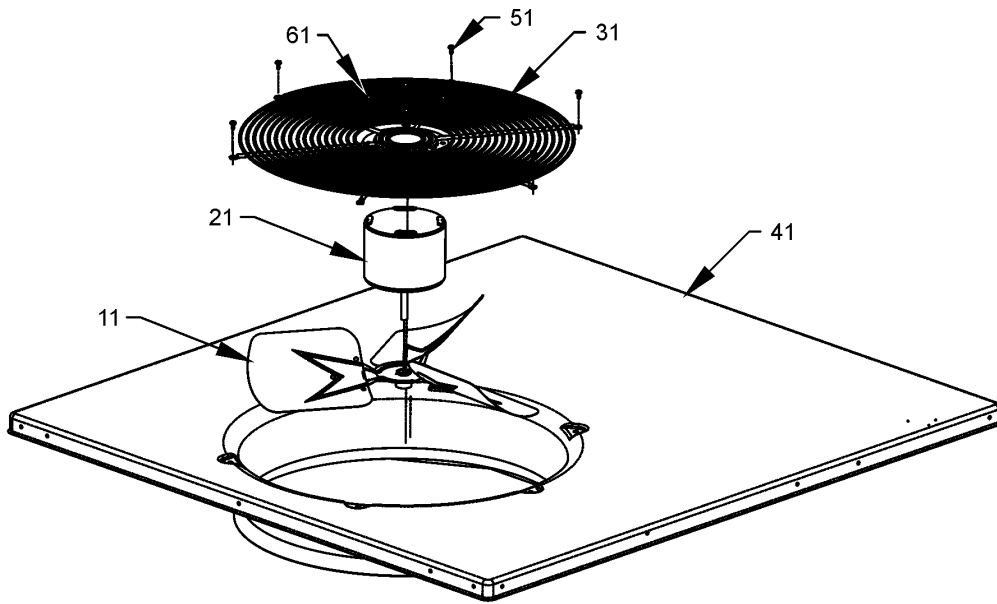
M1 - DP13GM3609043AA

M2 - DP13GM4809043AA

M3 - DP13GM6009043AA

M4 - DP13GM6014043AA

Top Panel / Fan / Cabinet



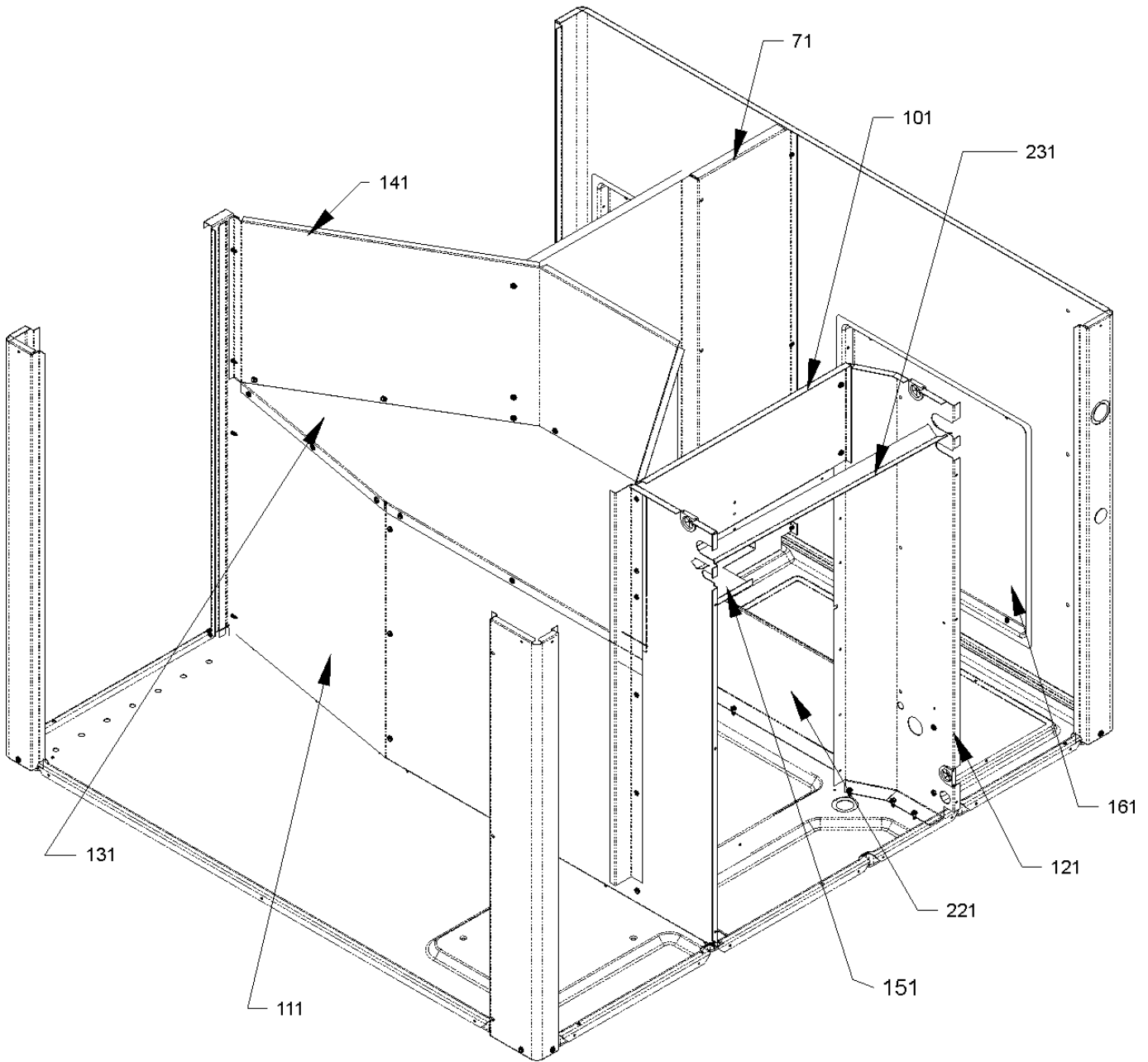
Top Panel / Fan / Cabinet

Ref. Part No: No:	Description:	Ref. Part No: No:	Description:
<i>Image 1:</i>			
11	0150G00003		FAN BLADE SWEPT-WING (M2, M3, M4)
11	0150G00002		FAN BLADE-SWEPT WING (M1)
21	0131M00429		COND MOTOR 1/4 HP, 1 SP, 6 PL (M2, M3, M4)
21	0131M00061		COND MOTOR 1/4 HP, 1 SP, 8 PL (M1)
31	0152G00002		FAN GRILLE
41	0121G00156NG		PNL, TOP, PNT
51	B1393500		SCREW,#10X1/2,"A"BLKCK (QTY 6)
61	0163M00006P		ACORN NUT 5/16 HEX BLACK (QTY 4)
71	20464801NG		BLOWER DOOR 32" (M1)
71	20464806NG		BLOWER DOOR 40" (M2, M3, M4)
81	20464802NG		DOOR-EVAP/CONTROL 32, PNT (M1)
81	20464807NG		DOOR-EVAP/CONTROL 40, PNT (M2, M3, M4)
91	0121G00526NG		HEAT EXCHANGER DOOR 32" (M1)
91	0121G00527NG		HEAT EXCHANGER DOOR 40" (M2, M3, M4)
101	20464804NG		DOOR-COMPRESSOR 32 W/PAINT (M1)
101	20464809NG		DOOR-COMPRESSOR 40 W/PAINT (M2, M3, M4)
111	0121G00465NG		LOUVERED PANEL, COND SIDE 32" (M1)
111	20467702NG		LOUVERED PANEL, COND SIDE 40" (M2, M3, M4)
121	20466101NG		UTILITY PANEL 32" (M1)
121	20466102NG		UTILITY PANEL 40" (M2, M3, M4)
131	0121G00442NG		PNL, DUCT, GAS 32.5" (M1)
131	0121G00443NG		PNL, DUCT, GAS 40" (M2, M3, M4)
141	0121G00208		SUPPORT POST 32" (M1)
141	0121G00209		SUPPORT POST 40" (M2, M3, M4)
161	20464401NG		LOUVERED PANEL, COND SIDE 32" (M1)
161	20464402NG		LOUVERED PANEL, COND SIDE 40" (M2, M3, M4)
181	0121G00290		BASE PAN RAIL (QTY 2)
251	0121G00453NG		CORNER POST-COMP END 32" (M1)
251	20464202NG		CORNER POST-COMP END 40" (M2, M3, M4)
261	0121G00454NG		CORNER POST-HAIRPIN END 32" (M1)
261	20464302NG		CORNER POST-HAIRPIN END 40" (M2, M3, M4)
NS	0121G00323		FLUE HOOD (QTY 2)
NS	0270G00131		FLUE HOOD ASSY
NS	0121G00190		FLUE HOOD-LOWER
NS	B1910012		GAS LINE GROMMET
NS	1778800083F		PVC CONDUIT 8.25"
NS	20472601		SCREEN-FLUE HOOD

Expanded Model Nomenclature

M1 - DP13GM3609043AA
M2 - DP13GM4809043AA
M3 - DP13GM6009043AA
M4 - DP13GM6014043AA

Partition Assembly



Partition Assembly

Ref. Part No:	Part No:	Description:	Ref. Part No:	Part No:	Description:
---------------	----------	--------------	---------------	----------	--------------

Image 1:

71	20465304	BLOWER DIVIDER 32" 10 X 9 (M1)
71	0121G00177	BLOWER DIVIDER 38" (M2, M3, M4)
101	20465201	FILLER PANEL, HEAT EXCHANGER 32" (M1)
101	20465202	FILLER PANEL, HEAT EXCHANGER 40" (M2, M3, M4)
111	0121G00360	PNL, PTN, 32.5" (M1)
111	0121G00361	PNL, PTN, 40" (M2, M3, M4)
121	20465501	EVAP/HEAT EXCHANGER DIVIDER 32" (M1)
121	20465502	EVAP/HEAT EXCHANGER DIVIDER 38" (M2, M3, M4)
131	20465701	FAN PARTITION SHELF
141	20465801	FAN SURROUND 32" (M1)
141	20465802	FAN SURROUND 40" (M2, M3, M4)
151	20472501	SHIELD, HEAT EXCHANGER TUBES
161	20464501NG	BACK DUCT COVER 40" (M1)
161	20464502NG	BACK DUCT COVER 40" (M2, M3, M4)
221	20463802	EVAP/BASEPAN BLOCK 32" (M1)
221	20463801	EVAP/BASEPAN BLOCK 40" (M2, M3, M4)
231	20496801	DRAIN CHANNEL, SUCTION TUBE

Expanded Model Nomenclature

M1 - DP13GM3609043AA
M2 - DP13GM4809043AA
M3 - DP13GM6009043AA
M4 - DP13GM6014043AA

Basepan / Blower Assembly

Image 1

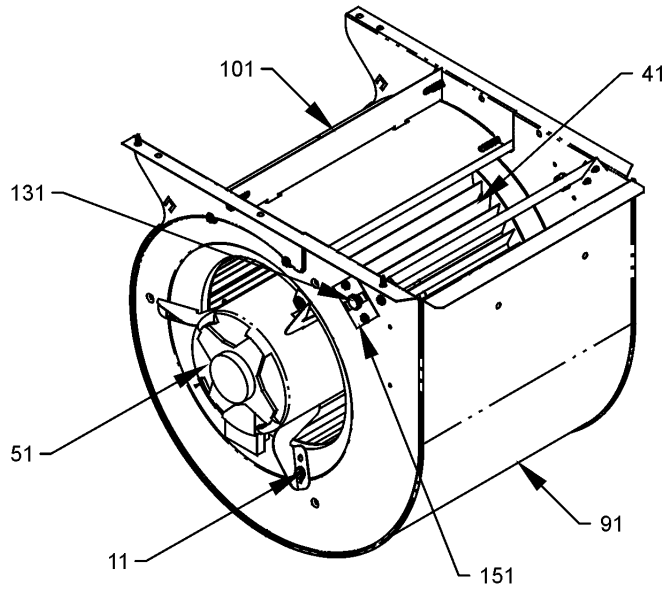
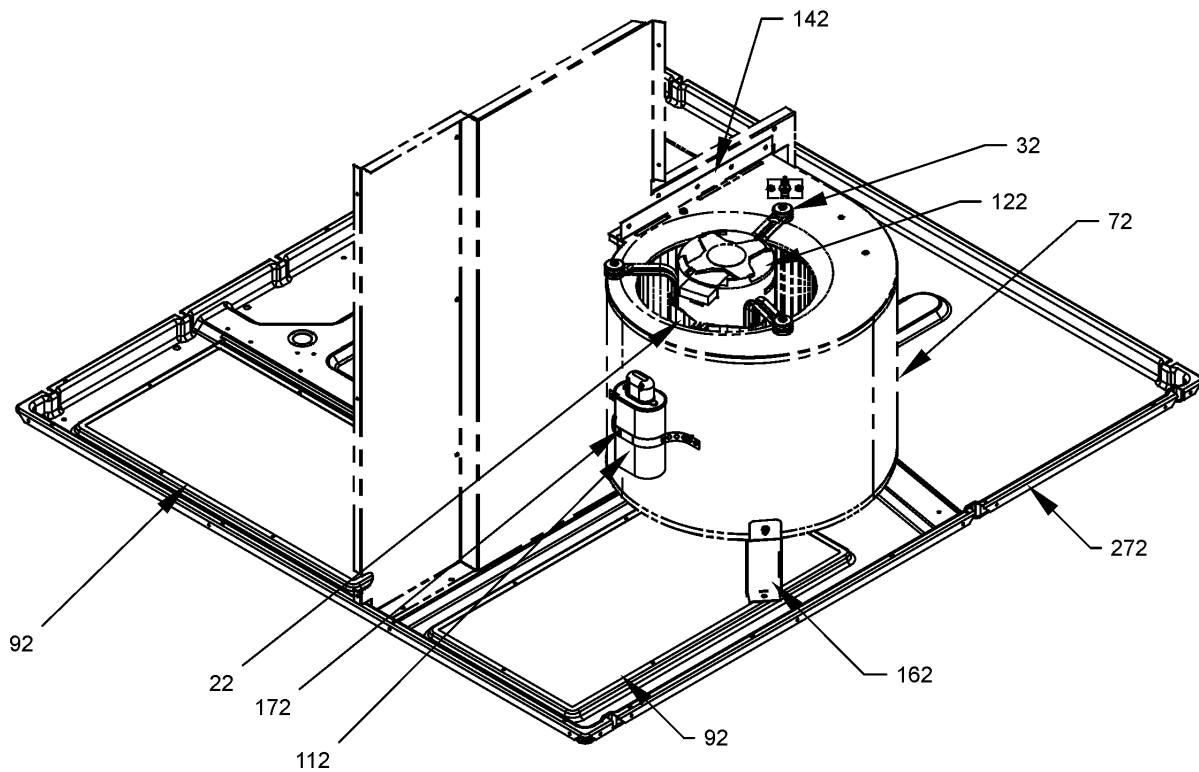


Image 2



Basepan / Blower Assembly

Ref. Part No: No:	Description:	Ref. Part No: No:	Description:
-------------------	--------------	-------------------	--------------

Image 1:

11	M0250558	TC SCREW (M1)
11	M0250565	TC SCREW 1.25" (M2, M3, M4)
41	D6723303	BLOWER WHEEL (M1)
41	B1368000	BLOWER WHEEL 11 X 10 (M2, M3, M4)
51	11091203	BLOWER MOTOR 1/3 HP, 3 SP, 6 PL (M1)
91	0271G00024	BLOWER HOUSING ASSY 10 X 9 (M1)
101	764742	BLOWER BLOCK-OFF (M1)
101	1864703F	BLOWER CUT-OFF (M2, M3, M4)
131	20269903	AUXILIARY LIMIT, AUTO RESET
151	2509503F	AUXILIARY LIMIT BRACKET
NS	2509503F	AUXILIARY LIMIT BRACKET

Image 2:

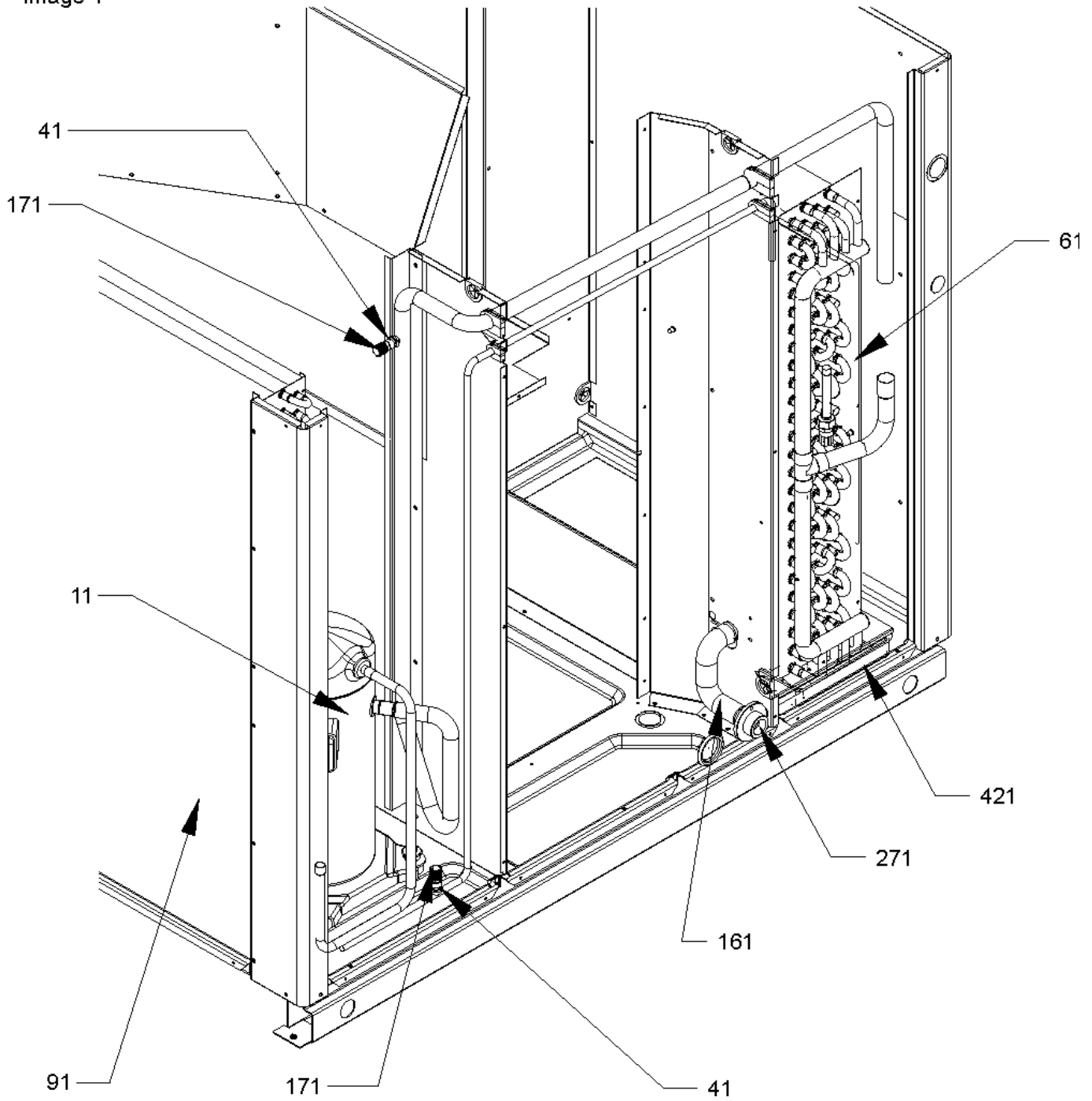
22	0121M00038	MOTOR MOUNT BAND (M2, M3, M4)
32	B1376857	MOTOR MOUNT ARM (M2, M3, M4)
72	2539309	BLOWER HOUSING ASSY 11 X 10 (M2, M3, M4)
92	0121G00148	SINGLE COVER, DOWN DISCHARGE (QTY 2)
112	CAP100000370VAP	CAPACITOR 10/370V [BLOWER] (M1)
122	0131M00442	BLOWER PROGRAMMED MOTOR (M2)
122	0131M00443	BLOWER PROGRAMMED MOTOR (M3, M4)
142	20463701	11 X 10 BLOWER MOUNTING (M2, M3, M4)
172	20520901	CAPACITOR STRAP (M1)
272	0121G00444	BASEPAN, PACKAGE
NS	B821700	CAPACITOR BOOT (M1)
NS	B1393800	LOCKNUT, NYLON, INSERT 1/4, 20 (M2, M3, M4)
NS	B1393323	MACHINE SCREW HWH 1/4-20 X 1-1/2 BZ (M2, M3, M4)

Expanded Model Nomenclature

M1 - DP13GM3609043AA
M2 - DP13GM4809043AA
M3 - DP13GM6009043AA
M4 - DP13GM6014043AA

Compressor / Tubing Assembly

Image 1



Compressor / Tubing Assembly

Ref. Part No: No:	Description:	Ref. Part No: No:	Description:
-------------------	--------------	-------------------	--------------

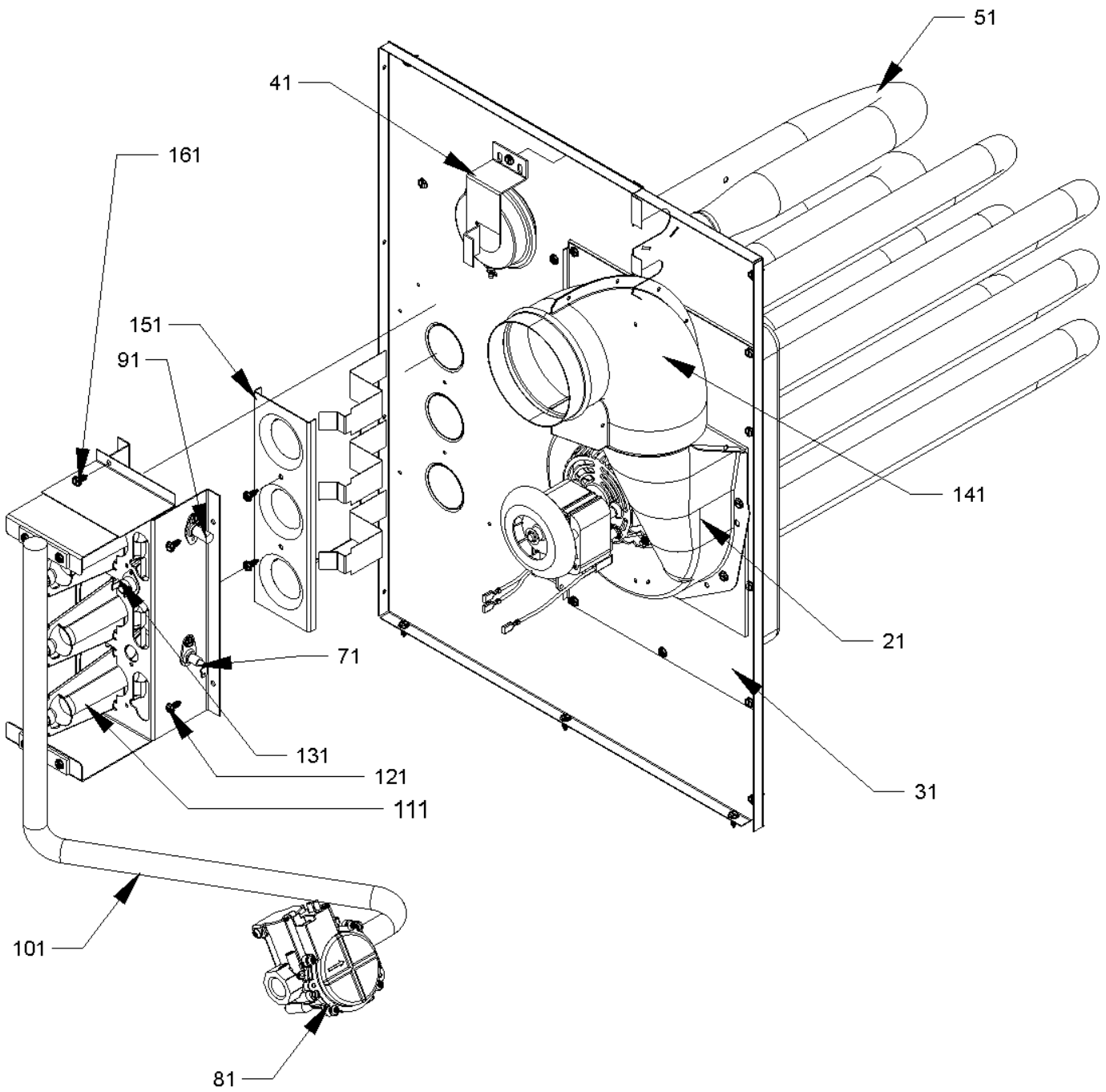
Image 1:

11	ZP31K5ETF5130	COMPRESSOR 31200, 200/230/60/3 (M1)
11	ZP39K5ETF5130	COMPRESSOR 39000, 200/230/60/3 (M2)
11	ZP51K5ETF5130	COMPRESSOR 51000, 208/230/60/3 (M3, M4)
41	B1373315	ACCESS FITTING (QTY 2)
61	0202G00359	EVAP COIL ASSY (M1)
61	0202G00372	EVAP COIL ASSY (M3, M4)
61	0202G00379	EVAP COIL ASSY (M2)
91	0201G00143	COND COIL TUBING ASSY (M3, M4)
91	0201G00144	COND COIL TUBING ASSY (M2)
91	0201G00249	CONDENSER COIL ASSY (M1)
161	20498302	DRAIN TUBE 32" (M1)
161	20498301	DRAIN TUBE 40" (M2, M3, M4)
171	0163M00175	CAP WITH O-RING (QTY 2)
271	20513001	EVAP DRAIN FITTING
421	20464901DF	DRAIN PAN-EVAP COIL
NS	B1339533	COMPRESSOR GROMMET (QTY 4)
NS	0159G00007	COMPRESSOR SCROLL HARNESS
NS	0121G00324	EVAP DRIP SHIELD (M2, M3, M4)
NS	0130M00074	HIGH PRESSURE SWITCH
NS	B1810011	HOSE CLAMP 1.25 (QTY 2)
NS	B1219212	SINGLE-FLOW FILTER DRIER, STEEL (M1)
NS	B1219225	SINGLE-FLOW FILTER DRIER, STEEL (M2, M3, M4)
NS	M0221641	TF SHOULDER SCREW (QTY 4)

Expanded Model Nomenclature

M1 - DP13GM3609043AA
M2 - DP13GM4809043AA
M3 - DP13GM6009043AA
M4 - DP13GM6014043AA

Heat Exchanger / Manifold / Gas Valve



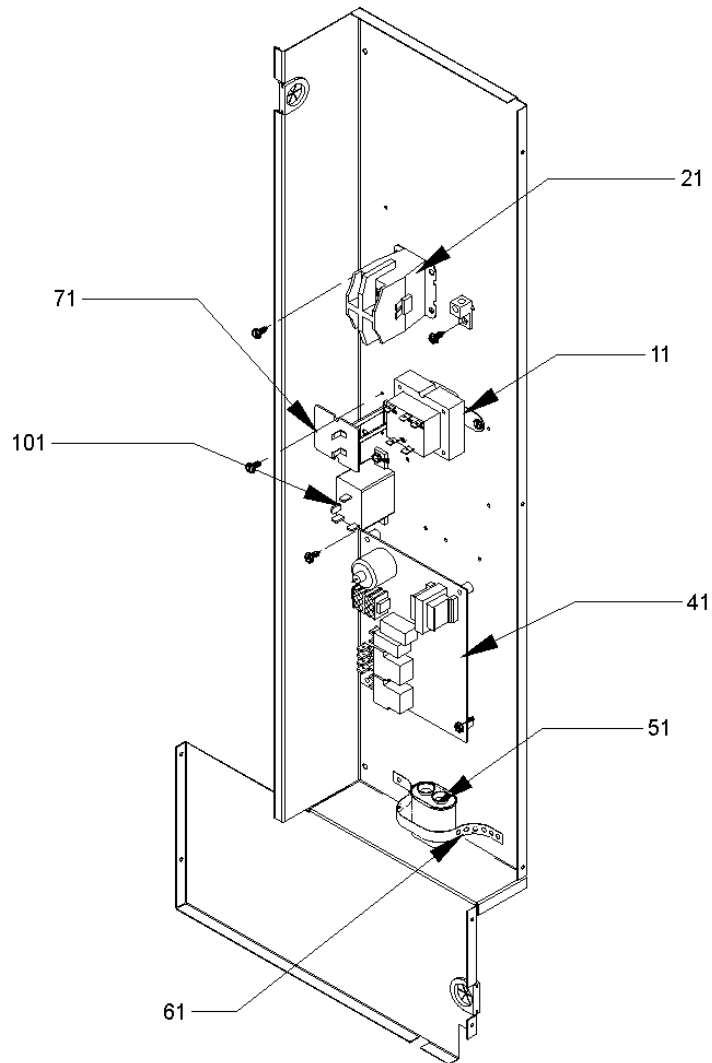
Heat Exchanger / Manifold / Gas Valve

Ref. Part No:	No:	Description:	Ref. Part No:	No:	Description:
<i>Image 1:</i>					
21	0131G00007	MOTOR, ID BLOWER			
31	0121G00430	PLATE-ID BLWR LRG 4 BRNR (M2, M3)			
31	0121G00432	PLATE-ID BLWR LRG 6 BRNR (M4)			
31	0121G00429	PLATE-ID BLWR SML 4 BRNR (M1)			
41	11112501	PRESSURE SWITCH			
51	20490703	PART/TUBE ASSY 4B (M1)			
51	20490704	PART/TUBE ASSY 4B (M2, M3)			
51	20490706	PART/TUBE ASSY 6B (M4)			
71	0130F00014	IGNITOR			
81	0151M00013	VALVE, GAS (HW) SINGLE STAGE			
91	0130F00010	FLAME SENSOR			
101	20493104	MANIFOLD - 4 BRNR (M1)			
101	20493105	MANIFOLD - 4 BRNR (M2, M3)			
101	20493107	MANIFOLD - 6 BRNR (M4)			
111	10735102	BECKETT BURNER (QTY A/R)			
121	20190412	BURNER BRACKET 4B (M1, M2, M3)			
121	0121F00145	BURNER BRACKET 6B (M4)			
131	10123532	MANUAL RESET LIMIT 350°F			
141	20484401	FLUE ELBOW LEFT			
141	20484402	FLUE ELBOW RIGHT			
151	11072203	ORIFICE SHIELD (M1, M2, M3)			
151	11072205	ORIFICE SHIELD (M4)			
161	M0221817	SMALL SCREW			
NS	0154G00003	GASKET, ID BLOWER & PLATE (M1)			
NS	0154G00004	GASKET, ID BLOWER & PLATE (M2, M3, M4)			
NS	11190202	HEAT DEFLECTOR			
NS	10716003	ORIFICE (QTY A/R)			

Expanded Model Nomenclature

- M1 - DP13GM3609043AA
- M2 - DP13GM4809043AA
- M3 - DP13GM6009043AA
- M4 - DP13GM6014043AA

Control Panel



Control Panel

Ref. Part No: No:	Description:	Ref. Part No: No:	Description:
-------------------	--------------	-------------------	--------------

Image 1:

11	B1141643	TRANSFORMER 208/230, 24V
21	CONT3P025024V	CONTACTOR 25 AMP, 3P, 24V
41	PCBAG123	IGNITION BOARD, DSI INTEGRATED
51	CAP050000370VAP	CAP, 5 MFD/370V/OVAL
61	20520901	CAPACITOR STRAP
71	10728343	LIMIT SWITCH (M1, M4)
71	10728344	LIMIT SWITCH (M2, M3)
101	0130M00025	24V RELAY (M2, M3, M4)
NS	0259G00091	ASSY, FEMALE PLUG (M2, M3, M4)
NS	0259G00009	BLOWER HARNESS (M1)
NS	0259G00011	BLOWER, HARNESS (M2, M3, M4)
NS	0259G00084	HARNESS-CONTROL (M2, M3, M4)
NS	0259G00086	HARNESS-CONTROL (M1)
NS	0259G00116	PLUG ASSY, 12 PIN MALE (M1)
NS	0259G00125	PLUG ASSY, 12 PIN MALE (M2, M3, M4)

Expanded Model Nomenclature

M1 - DP13GM3609043AA
M2 - DP13GM4809043AA
M3 - DP13GM6009043AA
M4 - DP13GM6014043AA