

15- & 20-TON, THREE-PHASE PACKAGED GAS/ELECTRIC UNITS

SUBMITTAL DATA FORM

Job Name _____

Location _____

Purchaser _____

Order No. _____

Engineer _____

Unit No. _____

Model No. _____

Unit Designation _____

Performance Data Certified By: _____

■ Standard Features

- R-410A chlorine-free refrigerant
- TuffTube™ tubular heat exchanger
- High-efficiency scroll compressor
- Copper tube / aluminum fin coils
- High- and low-pressure switches
- High-capacity, steel-cased filter drier
- Built-in filter rack with standard 2" filters (convertible to 4" filters)
- 24-volt terminal strip
- Contactor with lugs
- Easy to service
- Bottom utility entry
- Complies with California Low NOx emissions standards
- AHRI Certified; ETL Listed

■ Cabinet Features

- Heavy-gauge, galvanized-steel cabinet with UV-resistant powder-paint finish
- Condenser hail guards
- Full perimeter rail
- Sloped drain pan



* Complete warranty details available from your local dealer or at www.daikincomfort.com.

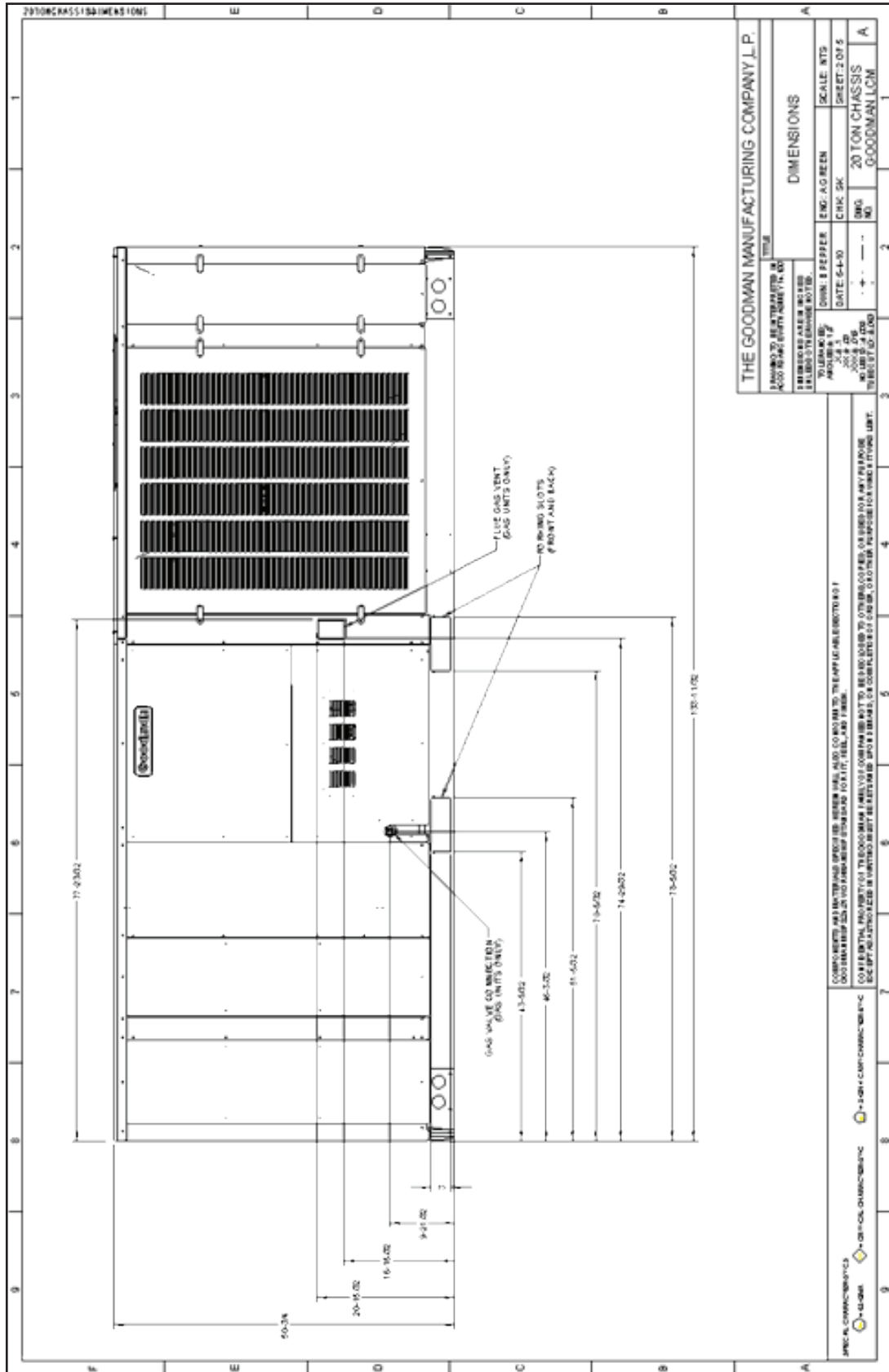
PERFORMANCE DATA

Cooling Performance		
Tota Capacity	_____	MBH
Sensible Capacity	_____	MBH
Outdoor Design TMP	_____	°F DB / WB
Air Temp entering	_____	
Evaporator Coil	_____	°F
Power Input Required (less blower motor)	_____	kW
Heating Performance		
Total Heating Capacity	_____	kW
	_____	BTU/h

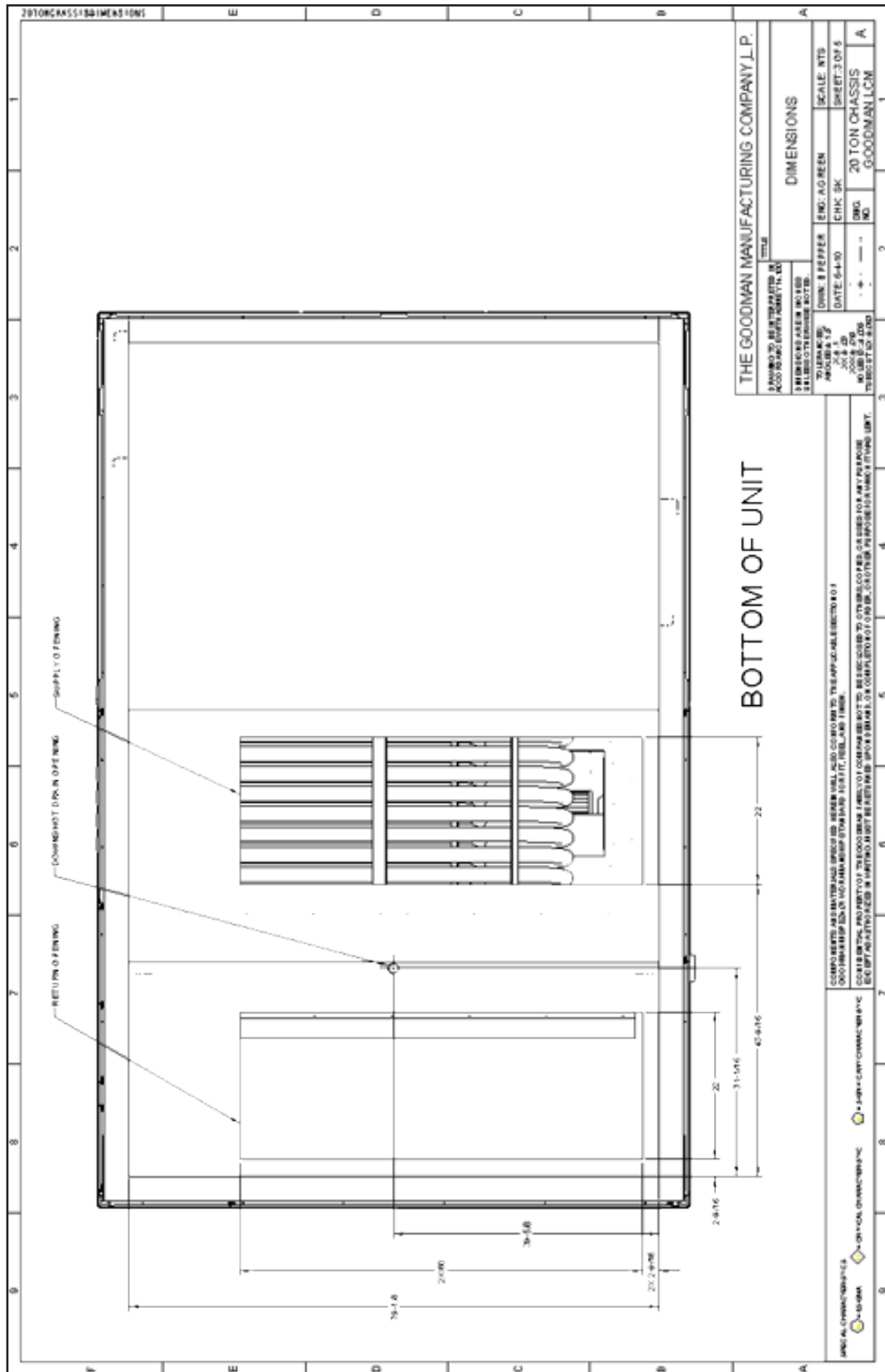
Supply Air Blower Performance		
Total Supply Air	_____	CFM
Ext. Static Pressure	_____	IWG
Blower Speed	_____	RPM
Power Output Required	_____	BHP
Motor Ratings	_____	HP
Power Input Required	_____	kW
Electrical Data		
Power Supply	_____	
Total Unit Amps	_____	Amps
Max Overcurrent Device:		
Fuse	_____	Breaker _____ Amps _____

NOTES

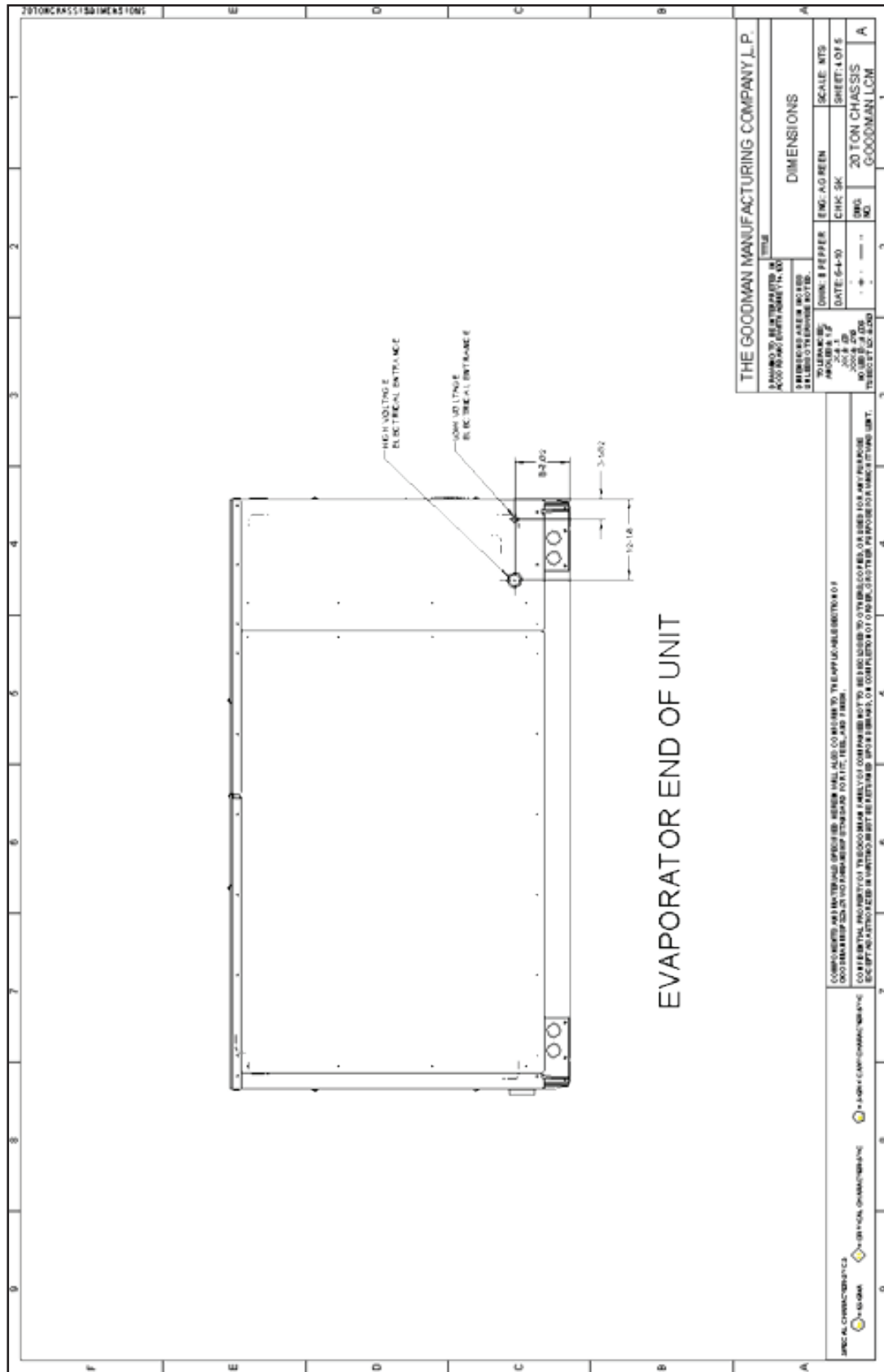
CERTIFIED DIMENSIONS — SIDE VIEW



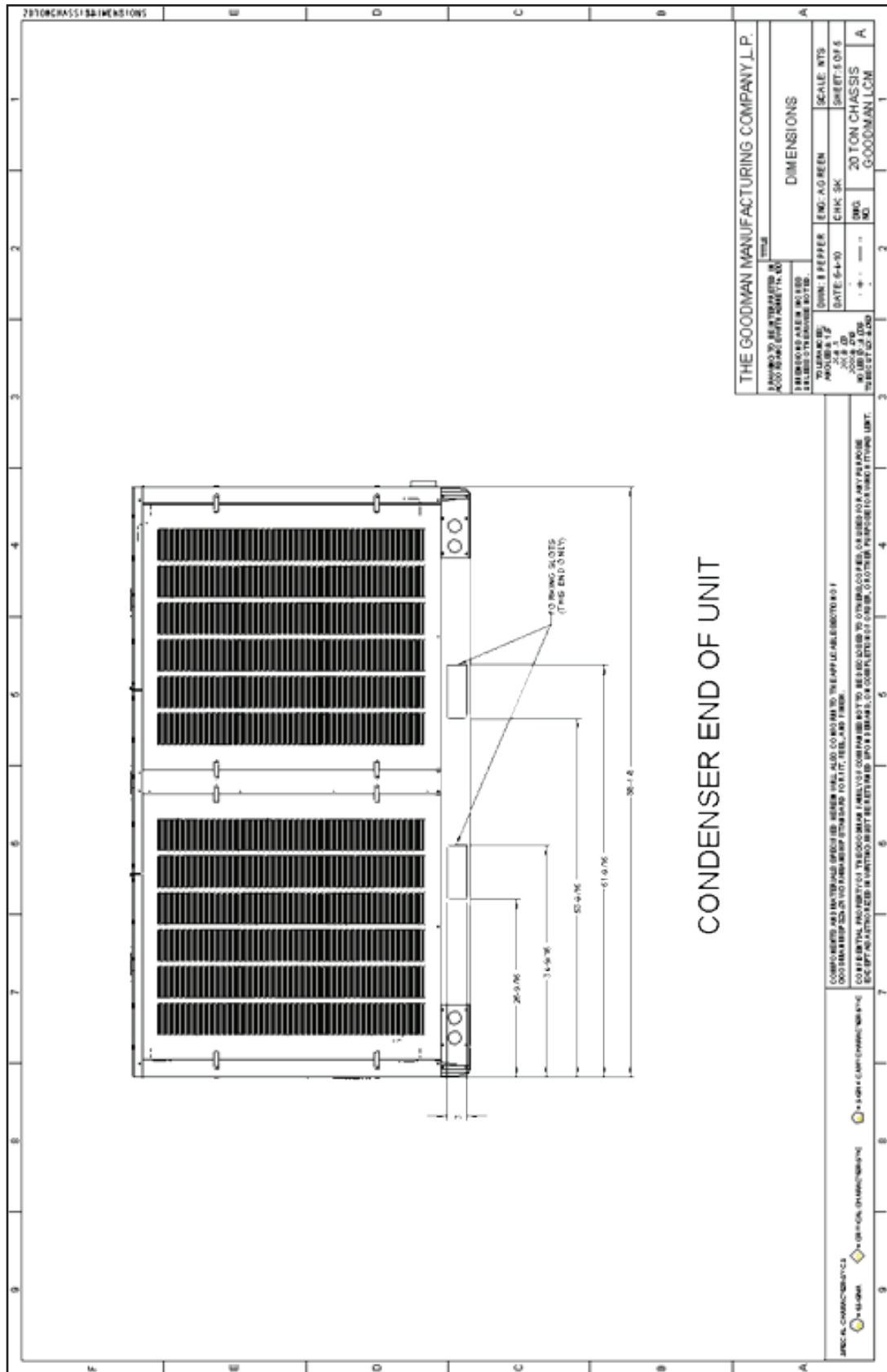
CERTIFIED DIMENSIONS — BOTTOM VIEW



CERTIFIED DIMENSIONS — EVAPORATOR END VIEW



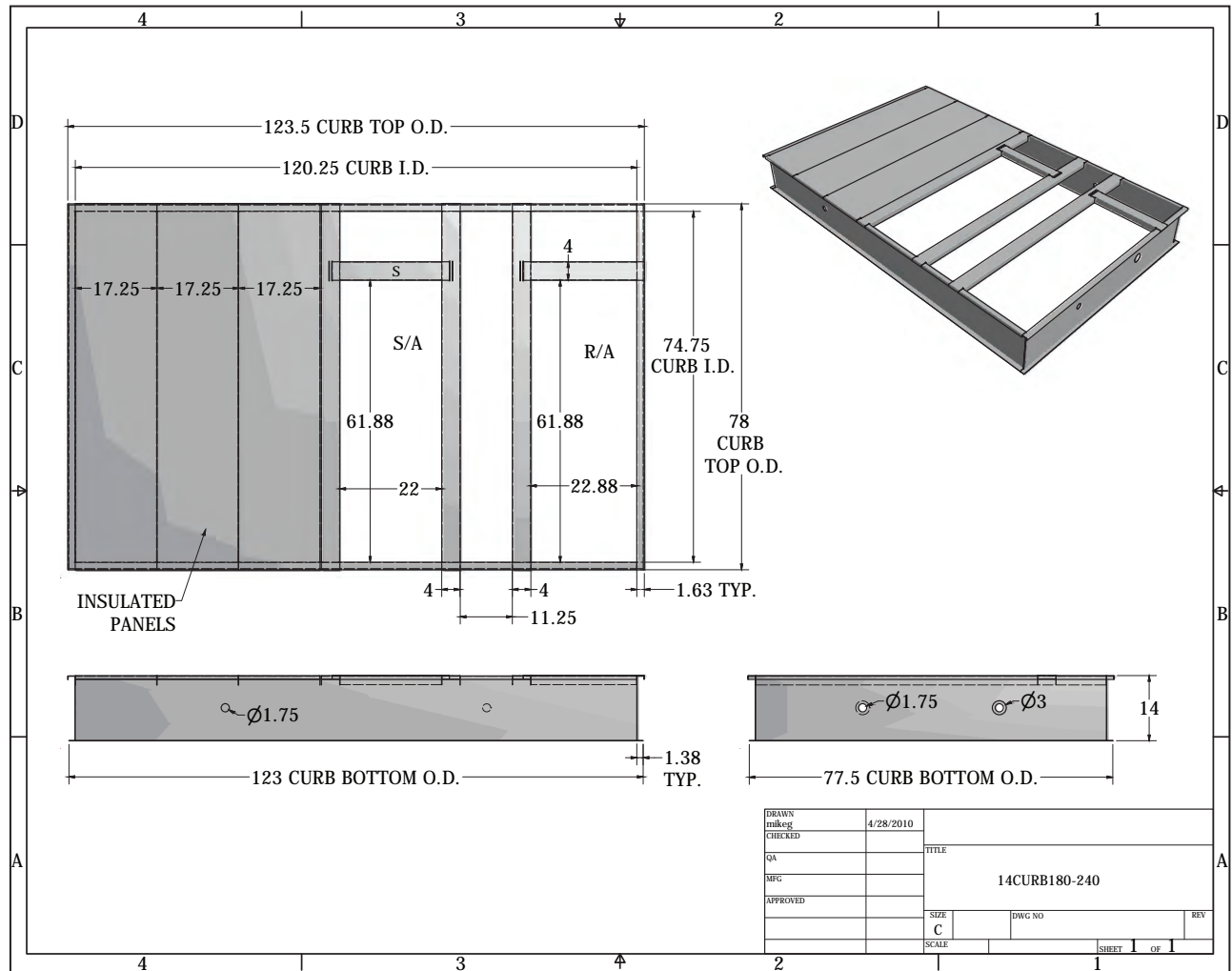
CERTIFIED DIMENSIONS — CONDENSER END VIEW



ACCESSORIES LIST (DIMENSIONS AND SPECIFICATIONS BEGIN ON THE FOLLOWING PAGE.)

FILED-INSTALLED ITEM #	DESCRIPTION	FITS MODEL SIZES	FIELD- INSTALLED	FACTORY- INSTALLED	✓
D14CRB180240	14" Roof Curb	15-20 tons	√		
D25FD180240	25% Manual Fresh Air Damper	15-20 tons	√		
D25MFD180240	25% Motorized Fresh Air Damper	15-20 tons	√		
DBRD3672	Barometric Relief Damper	15-20 tons	√		
DDNBB180240	Burglar Bar Sleeves with Supply and Return	All Models	√		
CDK180	Concentric Duct Kit	15 tons	√		
CDK240	Concentric Duct Kit	20 tons	√		
	Convenience Outlet: Powered	All Models		√	
	Convenience Outlet: Non Powered	All Models		√	
	Disconnect Switch (non-fused)	All Models		√	
DDNECNJ180240	Downflow Economizer	15-20 tons	√	√	
HAKT36300	High-Altitude Kit	All Models	√		
HSKT180	High-Static Kit (230/460v)	15 tons	√		
HSKT180-7	High-Static Kit (575v)	15 tons	√		
HSKT240	High-Static Kit (230/460v)	20 tons	√		
HSKT240-7	High-Static Kit (575v)	20 tons	√		
DHZCRB180240ED	Horizontal Discharge Curb — End Discharge	15-20 tons	√		
DHZCRB180240SDN	Horizontal Discharge Curb — Side Discharge; duct openings on non-service side	15-20 tons	√		
DHZCRB180240SDS	Horizontal Discharge Curb — Side Discharge; duct openings on service side	15-20 tons	√		
DHRC-1	Hurricane/Seismic Clips	All Models	√		
LAKT03	Low-Ambient Kit	15-20 tons	√	√	
LPKT180240	LP Conversion Kit	15-20 tons	√	√	
DPE1802402	Power Exhaust (208/230v)	15-20 tons	√		
DPE1802404	Power Exhaust (460v)	15-20 tons	√		
	Smoke Detector	All Models		√	
	Stainless-Steel Heat Exchanger (Type 409)	15-20 tons		√	

ROOF CURB — #D14CRB90150

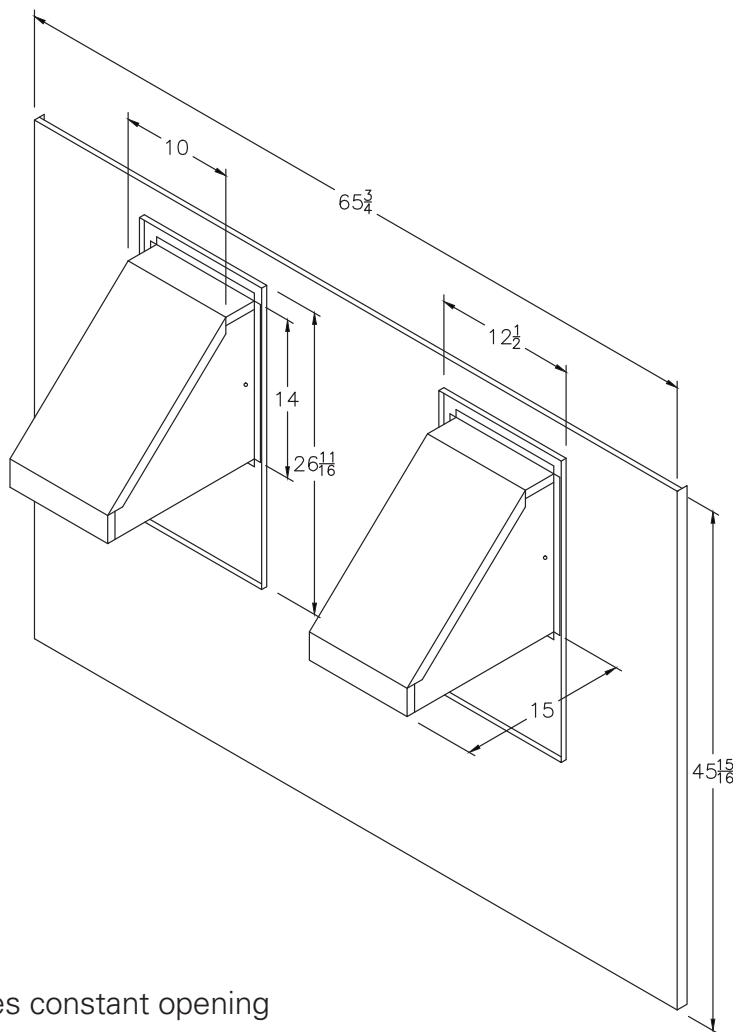


SPECIFICATIONS

- 14-Gauge Construction
- 1 x 4 Wood Nailer attached to top of the curb
- Shipped knocked down with all hardware
- Gasket included
- Bed-Rail style corners

Note: outside duct dimension should be 1/2" less than opening dimensions above.

MANUAL FRESH AIR DAMPER — #D25MFD90150
MOTORIZED FRESH AIR DAMPER — #D25MFD90150



SPECIFICATIONS

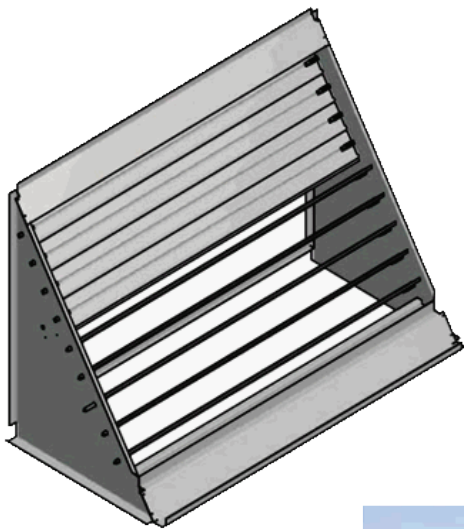
Manual Damper

- Provides up to 25% fresh air
- Locking selection knob provides constant opening
- Painted to match the unit
- Fits both the 15-ton and 20-ton package units in all fuels

Motorized Damper

- 24 VAC Damper motor with spring return
- Fully assembled and factory wired
- Painted to match the unit
- Fits both the 15-ton and 20-ton package units in all fuels

DOWNFLOW ECONOMIZER — #DDNECNJ90150

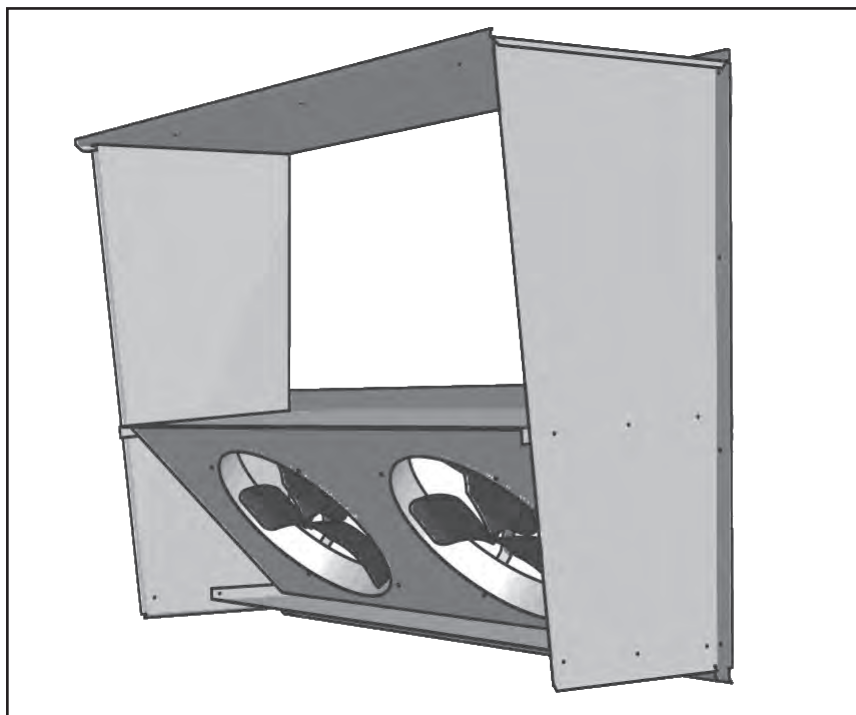


SPECIFICATIONS

- Fully modulating
- Up to 100% fresh air
- Integral barometric relief
- Hoods painted to match unit
- Honeywell economizer control
- Single adjustable enthalpy control convertible to dual enthalpy
- Adjustable minimum fresh air
- Factory wired
- Gas/Electric for 15- & 20-ton units

POWER EXHAUST FOR 208/230V UNITS — #DPE1802402

POWER EXHAUST FOR 460V UNITS — #DPE1802404



SPECIFICATIONS

- Features propeller-type fans
- 208/230V and 460V models available
- Used in conjunction with DNECONHP150 or DNECONGS180240
- Fans engage when economizer fresh-air dampers are 70% open
- Gives up to 100% relief
- Integrates into downflow economizer hood

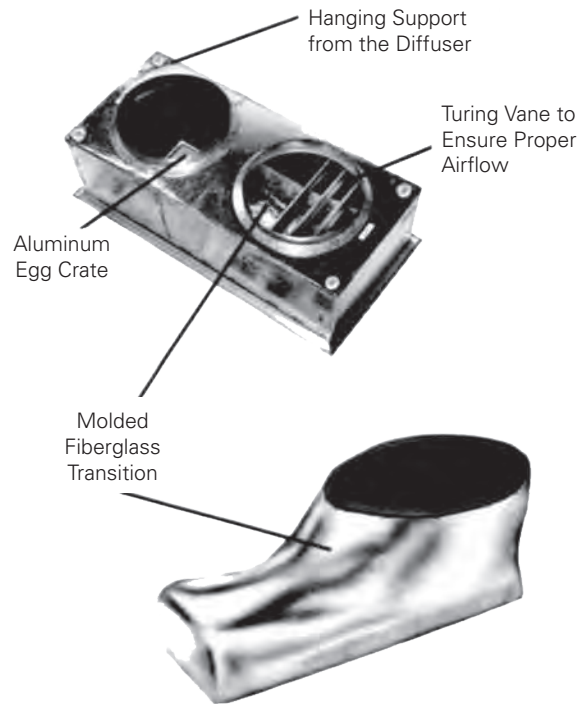
CONCENTRIC DUCT KITS — #COK180 & #CDK240



Light Commercial
T-Bar Ceiling



Commercial
T-Bar Ceiling



SPECIFICATIONS

- All-aluminum diffuser with aluminum return air egg crate
- Built-in anti-sweat gasket
- Molded fiberglass transition (through five tons)
- Built-in hanging supports
- Diffuser box constructed of fiberglass duct board (through 7½ tons) or sheet metal