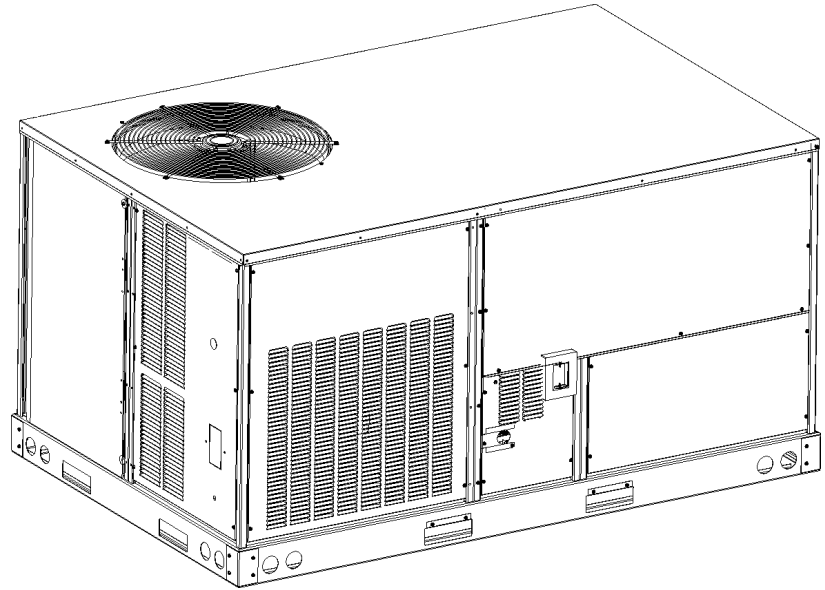


Commercial 5 Ton Direct Drive Package Gas Units

DCG0600901DXXXAA
DCG0600901DXXXAB
DCG0600903DXSXAB
DCG0600903DXXXAA
DCG0600903DXXXAB
DCG0601401DAXXAA
DCG0601401DXSXAA
DCG0601401DXXXAA
DCG0601401DXXXAB
DCG0601403DAXDAB
DCG0601403DHXBAA
DCG0601403DHXBAB
DCG0601403DHXDAA
DCG0601403DHXGAB
DCG0601403DJXBAB
DCG0601403DJXCAA
DCG0601403DXSXAA
DCG0601403DXXBAB
DCG0601403DXXXAA
DCG0601403DXXXAB



This manual is to be used by qualified technicians only.

This manual replaces RP-D1004H.

© 2013-2016 **DAIKIN COMPANY, L.P.** ♦ 5151 San Felipe St., Suite 500 ♦ Houston, TX 77056

Important Information

Index

Functional Parts List	3
Illustration and Parts	4 - 15

Views shown are for parts illustrations only, not servicing procedures

Text Codes:

AR - As Required

NA - Not Available

NS - Not Shown

00000000 - See Note

QTY - Quantity Example (QTY 3) (If Quantity not shown, Quantity = 1)

M - Model Example (M1) (If M Code not shown, then part is used on all Models)

Expanded Model Nomenclature:

Example M1 - Model#1 M2 - Model#2 M3 - Model#3

Daikin Company, L.P. is not responsible for personal injury or property damage resulting from improper service. Review all service information before beginning repairs.

Warranty service must be performed by an authorized technician, using authorized factory parts. If service is required after the warranty expires, Daikin Company, L.P. also recommends contacting an authorized technician and using authorized factory parts.

Daikin Company, L.P. reserves the right to discontinue, or change at any time, specifications or designs without notice or without incurring obligations.

For assistance within the U.S.A. contact:

Consumer Affairs Department
Daikin North America, LLC
7401 Security Way
Houston, Texas 77040
855-770-5678-Telephone
713-863-2382-Facsimile

For assistance outside the U.S.A. contact:

International Division
Daikin North America, LLC
7401 Security Way
Houston, Texas 77040
713-861-2500-Telephone
713-863-2382-Facsimile

Functional Parts

Part

No: Description:

0130M00025	24V RELAY (M1, M2, M6, M7, M8, M9)
20269903	AUXILIARY LIMIT, AUTO RESET (M6, M7, M8, M9, M10, M11, M12, M13, M14, M15, M16, M17, M18, M19, M20)
10735102	BECKETT BURNER (QTY 4)
0131M00521	BLOWER MOTOR 1 HP
B1368000	BLOWER WHEEL 11 X 10
CAP050000370LA	CAPACITOR 5/370V (M3, M4, M5, M10, M11, M12, M13, M14, M15, M16, M17, M18, M19, M20)
CAP050700440CT	CAPACITOR 5/70/440V/DUAL RD (M1, M2, M6, M7, M8, M9)
ZP51K5EPFV130	COMPRESSOR 51000, 208/230/60/1 (M1, M2, M6, M7, M8, M9)
ZP51K5ETF5130	COMPRESSOR 51000, 208/230/60/3 (M3, M4, M5, M10, M11, M12, M13, M14, M15, M16, M17, M18, M19, M20)
0131M00429	COND MOTOR 1/4 HP, 1 SP,6 PL
CONT3P030024V	CONTACTOR 30 AMP, 3P, 24V (M3, M4, M5, M10, M11, M12, M13, M14, M15, M16, M17, M18, M19, M20)
CONT2P040024V	CONTACTOR 40 AMP, 2P, 24V (M1, M2, M6, M7, M8, M9)
0130M00074	CUT-OUT SWITCH, HIGH PRESSURE
0130M00087	CUT-OUT SWITCH, LOW PRESSURE
0150G00004	FAN BLADE
0130F00010	FLAME SENSOR
0151F00000P	GAS VALVE - WHITE-RODGERS 2-STAGE
0131M00121	ID COMBUSTION BLOWER
PCBAG123	IGNITION BOARD, DSI INTEGRATED (M1, M2, M6, M7, M8, M9)
20261709	IGNITOR
10123532	MANUAL RESET LIMIT 350°F
0130M00063	PRIMARY LIMIT - GOLD 140° (M1, M2, M3, M4, M5)
0130F00035	PRIMARY LIMIT - PURPLE 220° (M6, M7, M8, M9, M10, M11, M12, M13, M14, M15, M16, M17, M18, M19, M20)
0130M00038	TERMINAL BOARD (M3, M4, M5, M10, M11, M12, M13, M14, M15, M16, M17, M18, M19, M20)
0130M00138	TRANSFORMER 208/230, 24V

Expanded Model Nomenclature

M1 - DCG0601403DJXBAB
M2 - DCG0601403DJXCAA
M3 - DCG0601403DXSXAA
M4 - DCG0601403DXXBAB
M5 - DCG0601403DXXXAA
M6 - DCG0601403DXXXAB
M7 - DCG0600901DXXXAA
M8 - DCG0600901DXXXAB
M9 - DCG0600903DXSXAB
M10 - DCG0600903DXXXAA
M11 - DCG0600903DXXXAB
M12 - DCG0601401DAXXAA
M13 - DCG0601401DXSXAA
M14 - DCG0601401DXXXAA
M15 - DCG0601401DXXXAB
M16 - DCG0601403DAXDAB
M17 - DCG0601403DHXBAA
M18 - DCG0601403DHXBAB
M19 - DCG0601403DHXDAA
M20 - DCG0601403DHXGAB

Top Panel/Tubing Assy

Image 1

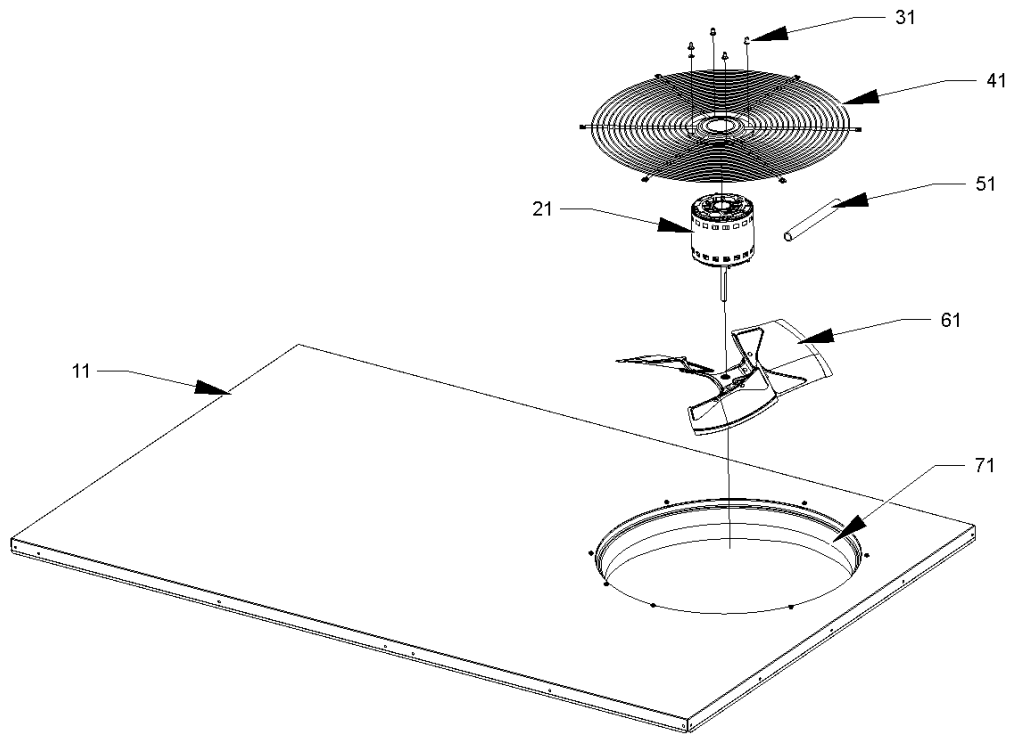
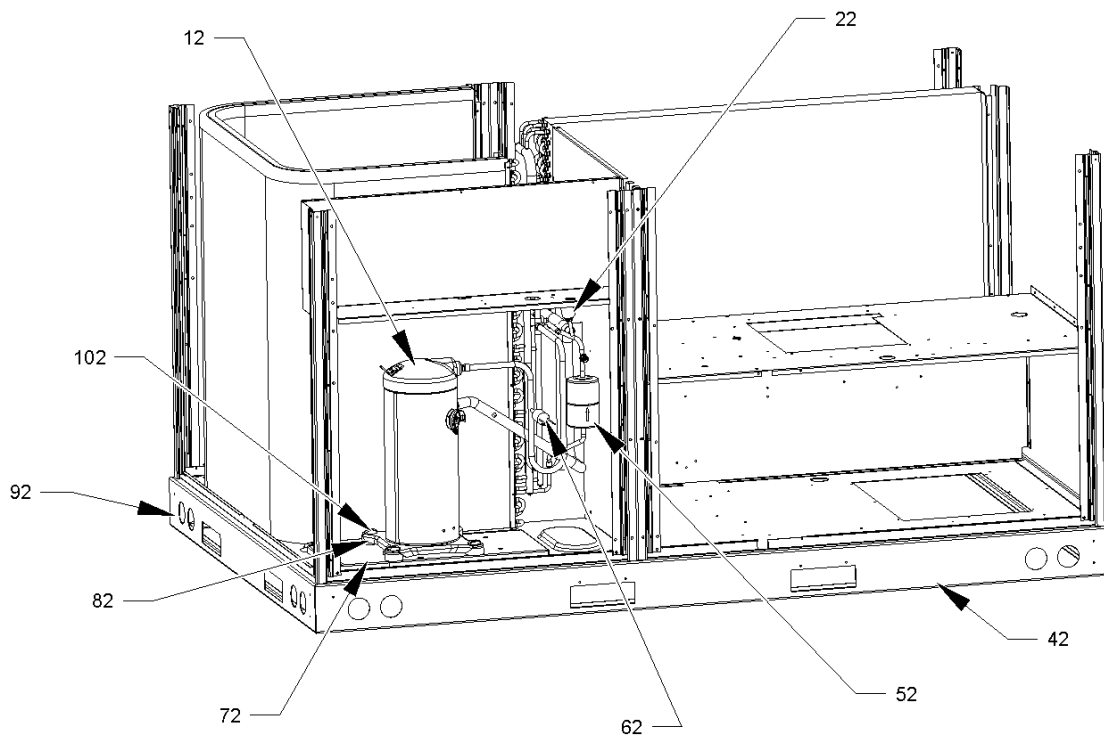


Image 2



Top Panel/Tubing Assy

Ref. Part No: No:	Description:	Ref. Part No: No:	Description:
-------------------	--------------	-------------------	--------------

Image 1:

11	0121L00235NG	TOP PANEL
21	0131M00429	COND MOTOR 1/4 HP, 1 SP,6 PL
31	0163M00006P	ACORN NUT 5/16 HEX BLACK (QTY 4)
41	0152G00003	FAN GRILLE
51	17788000083F	PVC CONDUIT 8.25"
61	0150G00004	FAN BLADE
71	0161L00000	VENTURI RING 22"

Image 2:

12	ZP51K5EPFV130	COMPRESSOR 51000, 208/230/60/1 (M1, M2, M6, M7, M8, M9)
12	ZP51K5ETF5130	COMPRESSOR 51000, 208/230/60/3 (M3, M4, M5, M10, M11, M12, M13, M14, M15, M16, M17, M18, M19, M20)
22	0130M00087	CUT-OUT SWITCH, LOW PRESSURE
42	0121L00244RF	SIDE RAIL (QTY 2)
52	0162R00009	FILTER DRIER
62	0130M00074	CUT-OUT SWITCH, HIGH PRESSURE
72	0121L00310	COMPRESSOR MOUNTING PLATE
82	B1339533	COMPRESSOR GROMMET (QTY 4)
92	0121L00245	END RAIL (QTY 2)
102	M0221641	TF SHOULDER SCREW (QTY 4)
NS	0159L00027	COMPRESSOR SCROLL HARNESS (M1, M2, M6, M7, M8, M9)
NS	0159L00028	COMPRESSOR SCROLL HARNESS (M3, M4, M5, M10, M11, M12, M13, M14, M15, M16, M17, M18, M19, M20)

Expanded Model Nomenclature

M1 - DCG0601403DJXBAB
M2 - DCG0601403DJXCAA
M3 - DCG0601403DXSXAA
M4 - DCG0601403DXXBAB
M5 - DCG0601403DXXXAA
M6 - DCG0601403DXXXAB
M7 - DCG0600901DXXXAA
M8 - DCG0600901DXXXAB
M9 - DCG0600903DXSXAB
M10 - DCG0600903DXXXAA
M11 - DCG0600903DXXXAB
M12 - DCG0601401DAXXAA
M13 - DCG0601401DXSXAA
M14 - DCG0601401DXXXAA
M15 - DCG0601401DXXXAB
M16 - DCG0601403DAXDAB
M17 - DCG0601403DHXBAA
M18 - DCG0601403DHXBAB
M19 - DCG0601403DHXDAA
M20 - DCG0601403DHXGAB

Cabinet Assy

Image 1

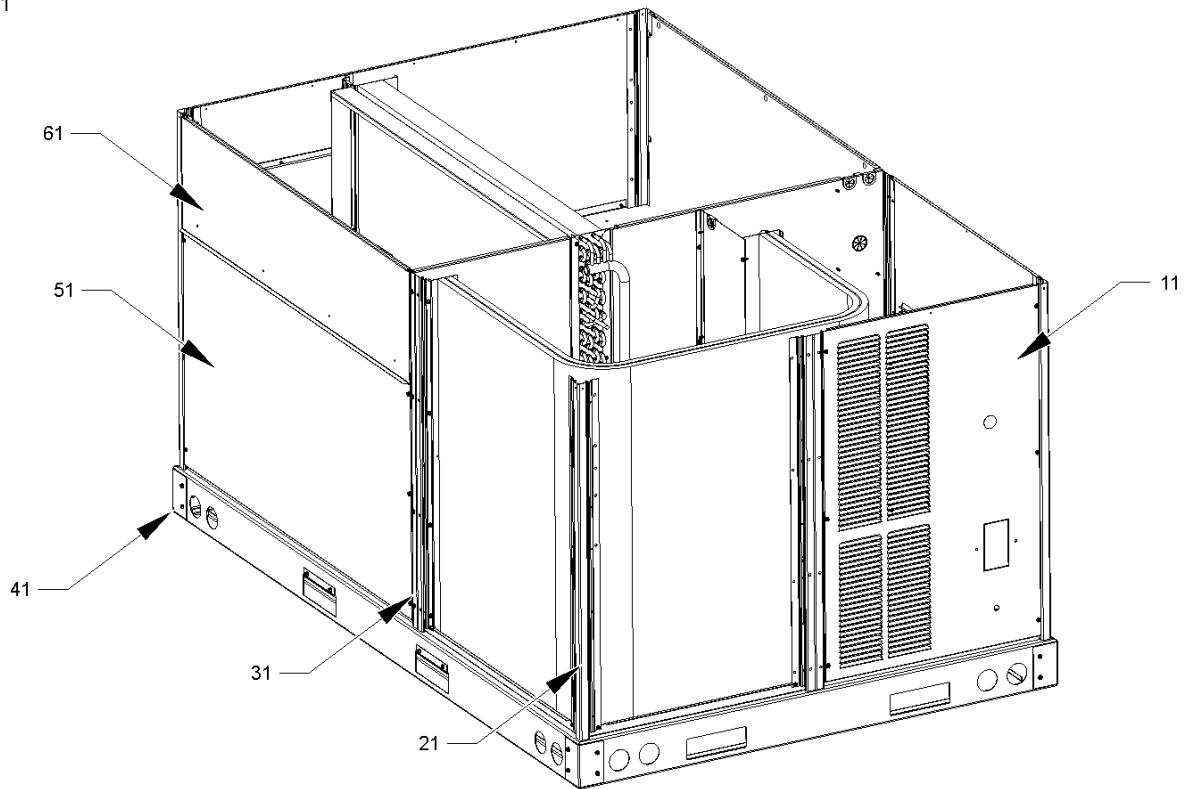
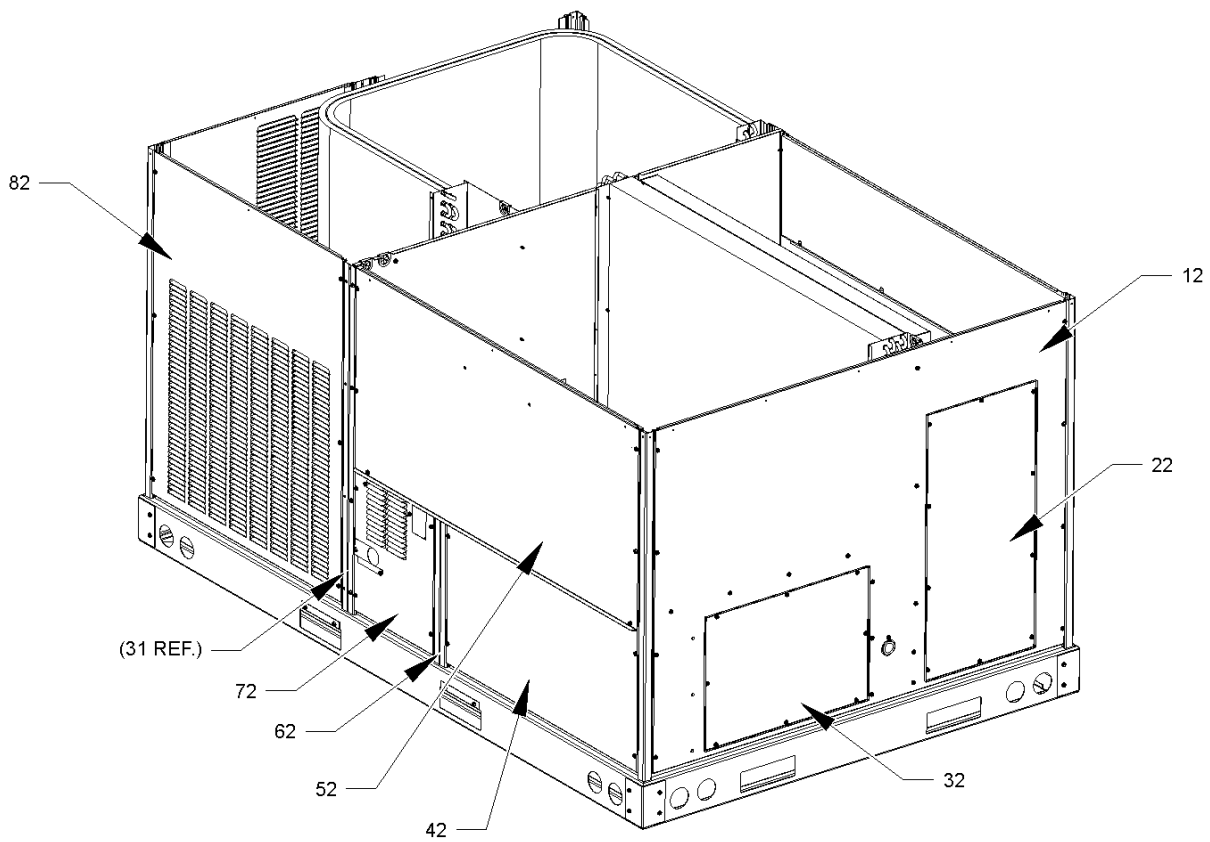


Image 2



Cabinet Assy

Ref. Part No: No:	Description:	Ref. Part No: No:	Description:
Image 1:		Expanded Model Nomenclature	
11	0121L00263NG LOUVERED COMPRESSOR PANEL	M1 - DCG0601403DJXBAB	
21	0121L00237RFNG CORNER POST (QTY 4)	M2 - DCG0601403DJXCAA	
31	0121L00233RFNG POST-SIDE SUPPORT (QTY 3)	M3 - DCG0601403DXSXAA	
41	0121G00301 RAIL CORNER BRACKET (QTY 4)	M4 - DCG0601403DXXBAB	
51	0121L00976NG ECONOMIZER DOOR	M5 - DCG0601403DXXXAA	
61	0270L00362NG FILTER DOOR	M6 - DCG0601403DXXXAB	
NS	0121L00295NG FLUE COLLAR (M1, M4, M6, M7, M8, M11, M13, M16, M17, M19)	M7 - DCG0600901DXXXAA	
NS	0121L01175NG FLUE COLLAR (M2, M3, M5, M9, M10, M12, M14, M15, M18, M20)	M8 - DCG0600901DXXXAB	
NS	0121L00689 RAIN SHIELD-DOOR	M9 - DCG0600903DXSXAB	
Image 2:		M10 - DCG0600903DXXXAA	
12	0121L00236NG DUCT PANEL	M11 - DCG0600903DXXXAB	
22	0121L00023NG RETURN DUCT COVER	M12 - DCG0601401DAXXAA	
32	0121L00024NG SUPPLY DUCT COVER	M13 - DCG0601401DXSXAA	
42	0121L00257NG HEAT EXCHANGER DOOR (M1, M4, M6, M7, M8, M11, M13, M16, M17, M19)	M14 - DCG0601401DXXXAA	
42	0121L01108NG HEAT EXCHANGER DOOR (M2, M3, M5, M9, M10, M12, M14, M15, M18, M20)	M15 - DCG0601401DXXXAB	
52	0121L00259NG BLOWER DOOR (M1, M4, M6, M7, M8, M11, M13, M16, M17, M19)	M16 - DCG0601403DAXDAB	
52	0121L01157NG BLOWER DOOR (M2, M3, M5, M9, M10, M12, M14, M15, M18, M20)	M17 - DCG0601403DHXBAA	
62	0121L01110RFNG BURNER POST (M2, M3, M5, M9, M10, M12, M14, M15, M18, M20)	M18 - DCG0601403DHXBAB	
62	0121L00255RFNG POST-BURNER DOOR (M1, M4, M6, M7, M8, M11, M13, M16, M17, M19)	M19 - DCG0601403DHXDAA	
72	0121L00706NG BURNER DOOR (M1, M4, M6, M7, M8, M11, M13, M16, M17, M19)	M20 - DCG0601403DHXGAB	
72	0121L01389NG BURNER DOOR (M2, M3, M5, M9, M10, M12, M14, M15, M18, M20)		
82	0121L00262NG LOUVERED CONTROL PANEL (M1, M4, M6, M7, M8, M11, M13, M16, M17, M19)		
82	0121L01121NG LOUVERED CONTROL PANEL (M2, M3, M5, M9, M10, M12, M14, M15, M18, M20)		
NS	0164L00009 GASKET-RUBBER, CPOST (QTY 3)		
NS	0164L00011 GASKET-RUBBER, SIDE POST (QTY 4)		

Partition Panel Assy

Image 1

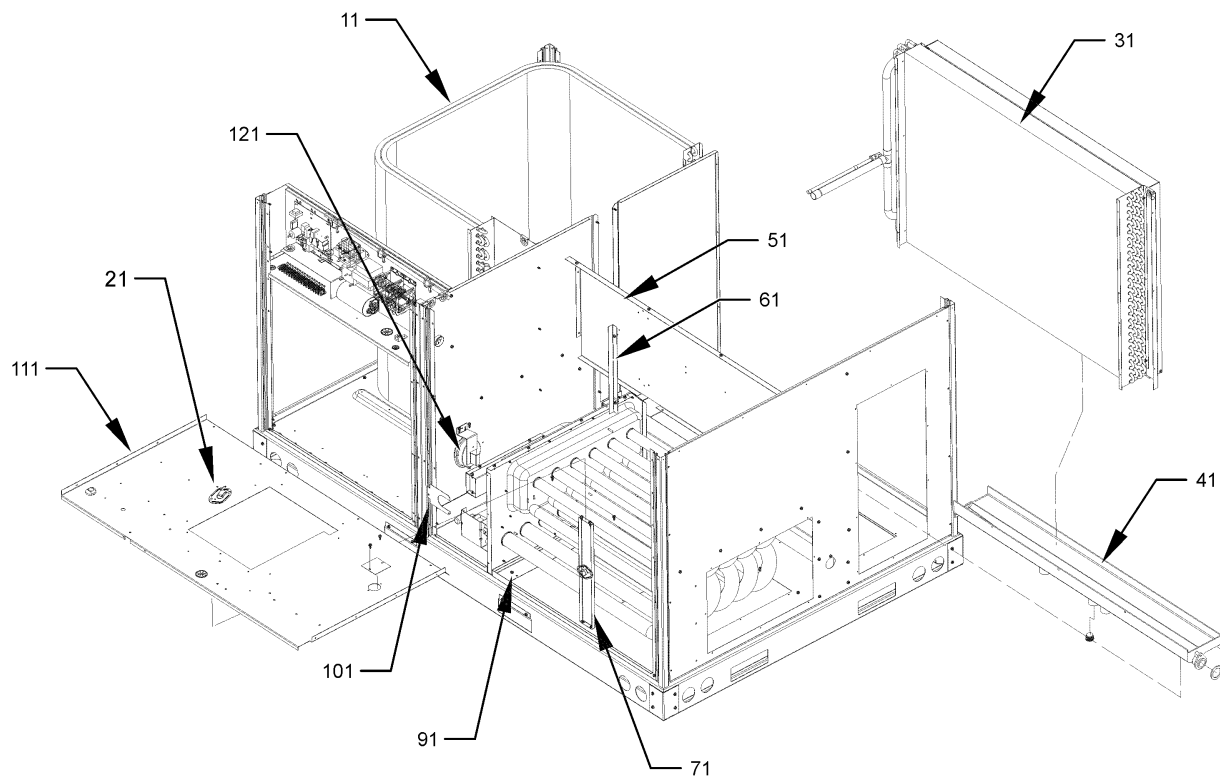
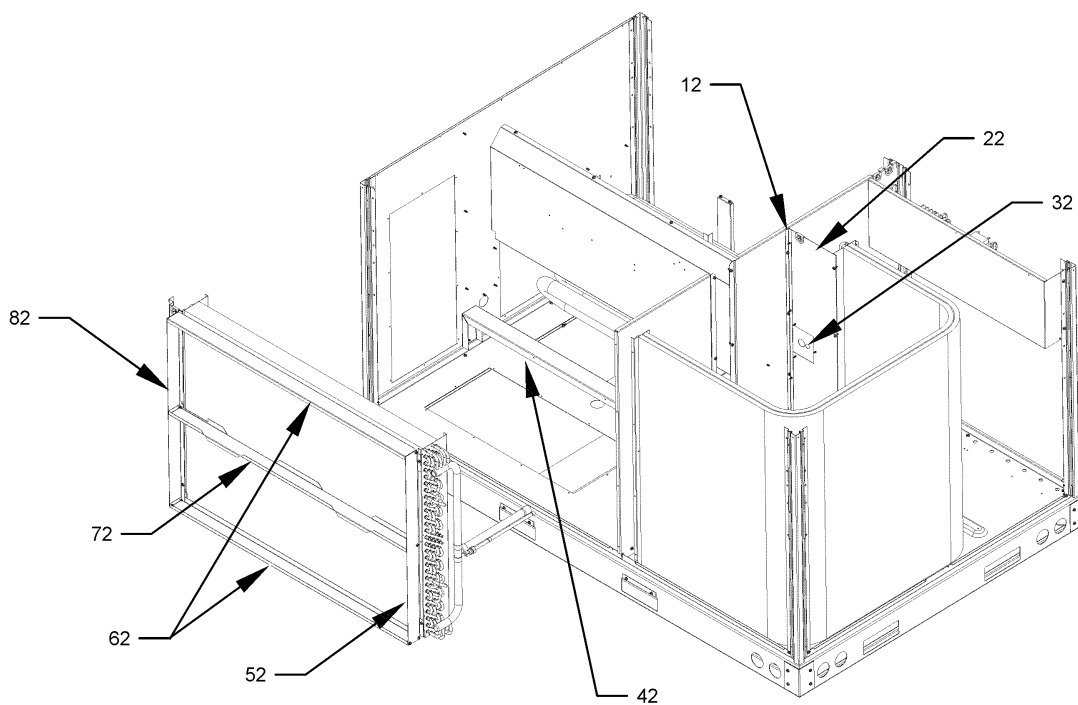


Image 2



Partition Panel Assy

Ref. Part No: No:	Description:	Ref. Part No: No:	Description:
-------------------	--------------	-------------------	--------------

Image 1:

11	0201L00141	TUBING ASSY, COND COIL
21	0130M00063	PRIMARY LIMIT - GOLD 140° (M1, M2, M3, M4, M5)
21	0130F00035	PRIMARY LIMIT - PURPLE 220° (M6, M7, M8, M9, M10, M11, M12, M13, M14, M15, M16, M17, M18, M19, M20)
31	0202L00020	TUBING ASSY, EVAP COIL
41	0161L00005	DRAIN PAN
51	0121L00243	DECK SIDE CHANNEL
61	0121L00293	BACK ANGLE-HEAT EXCHANGER (QTY 2)
71	0121L00300	SUPPORT POST-DECK
91	0121L00266	HEAT PANEL CHANNEL (QTY 2)
101	0121L00299NG	GAS VALVE BRACKET (M1, M4, M6, M7, M8, M11, M13, M16, M17, M19)
101	0121L01171NG	GAS VALVE BRACKET (M2, M3, M5, M9, M10, M12, M14, M15, M18, M20)
111	0121L01205	BLOWER DECK (M1, M4, M6, M7, M8, M11, M13, M16, M17, M19)
111	0121L01376	BLOWER DECK (M2, M3, M5, M9, M10, M12, M14, M15, M18, M20)
121	11112501	PRESSURE SWITCH
NS	A3468601	PRESSURE SWITCH HOSE
NS	0121L00321	SMOKE DETECTOR COVER

Image 2:

12	0121L00254	COND MOUNTING ANGLE
22	0121L00882	BLOCKOFF-CONDENSER
32	0121L00939	CONDENSER BLOCKOFF PLATE
42	0121L00238	DRAIN PAN SUPPORT
52	0121L00287	FILTER ANGLE-VERTICAL (RETURN SIDE)
62	0121L00932	FILTER ANGLE-HORIZONTAL (QTY 2)
72	0121L01255	ANGLE-FILTER CENTER
82	0121L00303	FILTER ANGLE-VERTICAL (HAIRPIN SIDE)
NS	0160L00173	AIR FILTER 14 X 20 X 2 (QTY 4)

Expanded Model Nomenclature

M1 - DCG0601403DJXBAB
M2 - DCG0601403DJXCAA
M3 - DCG0601403DXSXAA
M4 - DCG0601403DXXBAB
M5 - DCG0601403DXXXAA
M6 - DCG0601403DXXXAB
M7 - DCG0600901DXXXAA
M8 - DCG0600901DXXXAB
M9 - DCG0600903DXSXAB
M10 - DCG0600903DXXXAA
M11 - DCG0600903DXXXAB
M12 - DCG0601401DAXXAA
M13 - DCG0601401DXSXAA
M14 - DCG0601401DXXXAA
M15 - DCG0601401DXXXAB
M16 - DCG0601403DAXDAB
M17 - DCG0601403DHXBAA
M18 - DCG0601403DHXBAB
M19 - DCG0601403DHXDAA
M20 - DCG0601403DHXGAB

Blower Assy/Control Box Assy

Image 1

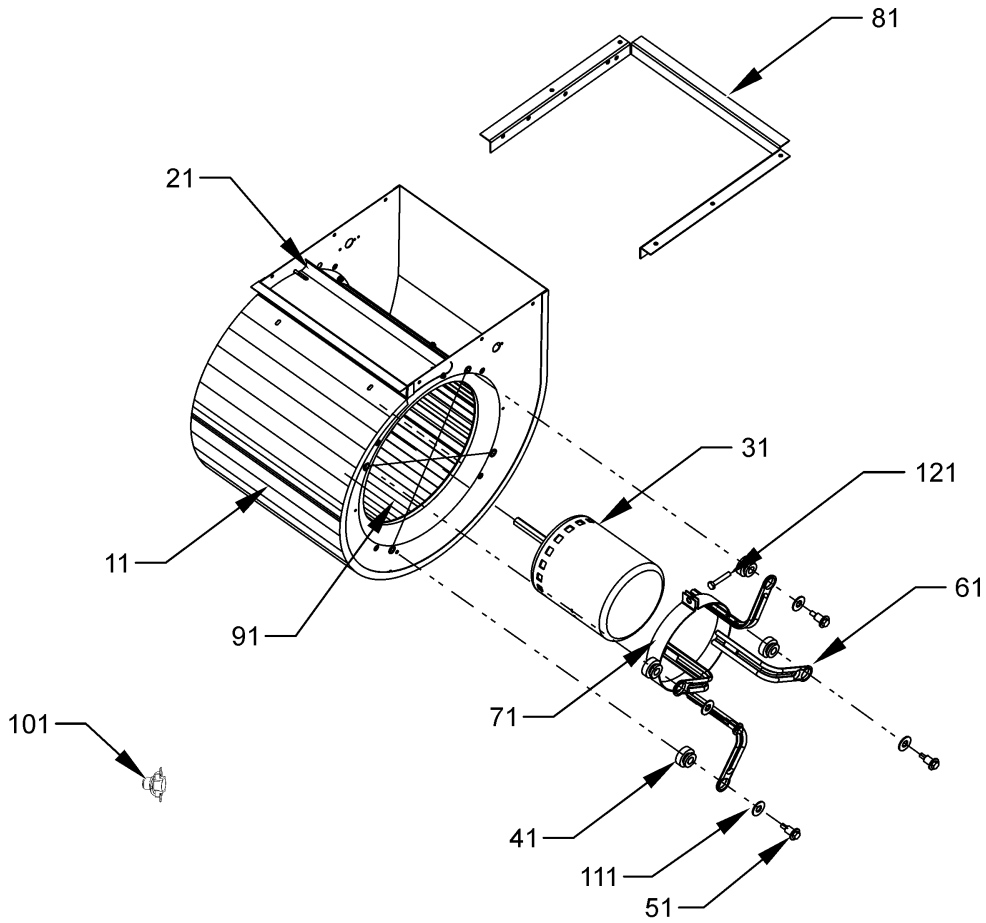
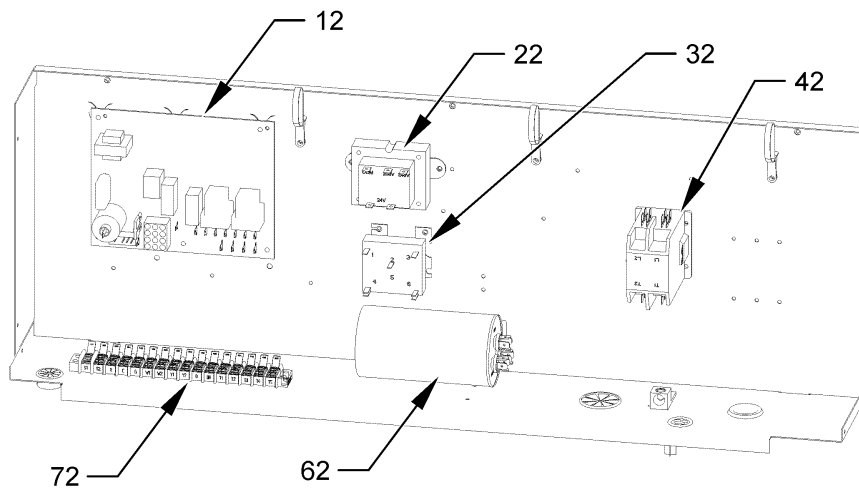


Image 2



Blower Assy/Control Box Assy

**Ref. Part
No: No:**

Description:

**Ref. Part
No: No:**

Description:

Image 1:

11	11185811	BLOWER HOUSING 11 X 10
21	C6121807	BLOWER CUT-OFF
31	0131M00521	BLOWER MOTOR 1 HP
41	A4002702	BLOWER MOTOR GROMMET (QTY 4)
51	M0221461	TC SCREW (QTY 4)
61	10441501	MOTOR MOUNT ARM (QTY 4)
71	10441601	MOTOR MOUNT BAND
81	0121L00281	BLOWER MOUNTING ANGLE
91	B1368000	BLOWER WHEEL 11 X 10
101	20269903	AUXILIARY LIMIT, AUTO RESET (M6, M7, M8, M9, M10, M11, M12, M13, M14, M15, M16, M17, M18, M19, M20)
111	M0274008	WASHER-FLAT (QTY 4)
121	M0267144	MACHINE SCREW
NS	M0282015	KEPS NUT
NS	B1392820	WASHER, SPLIT LOCK 1/4 BZ (QTY 4)

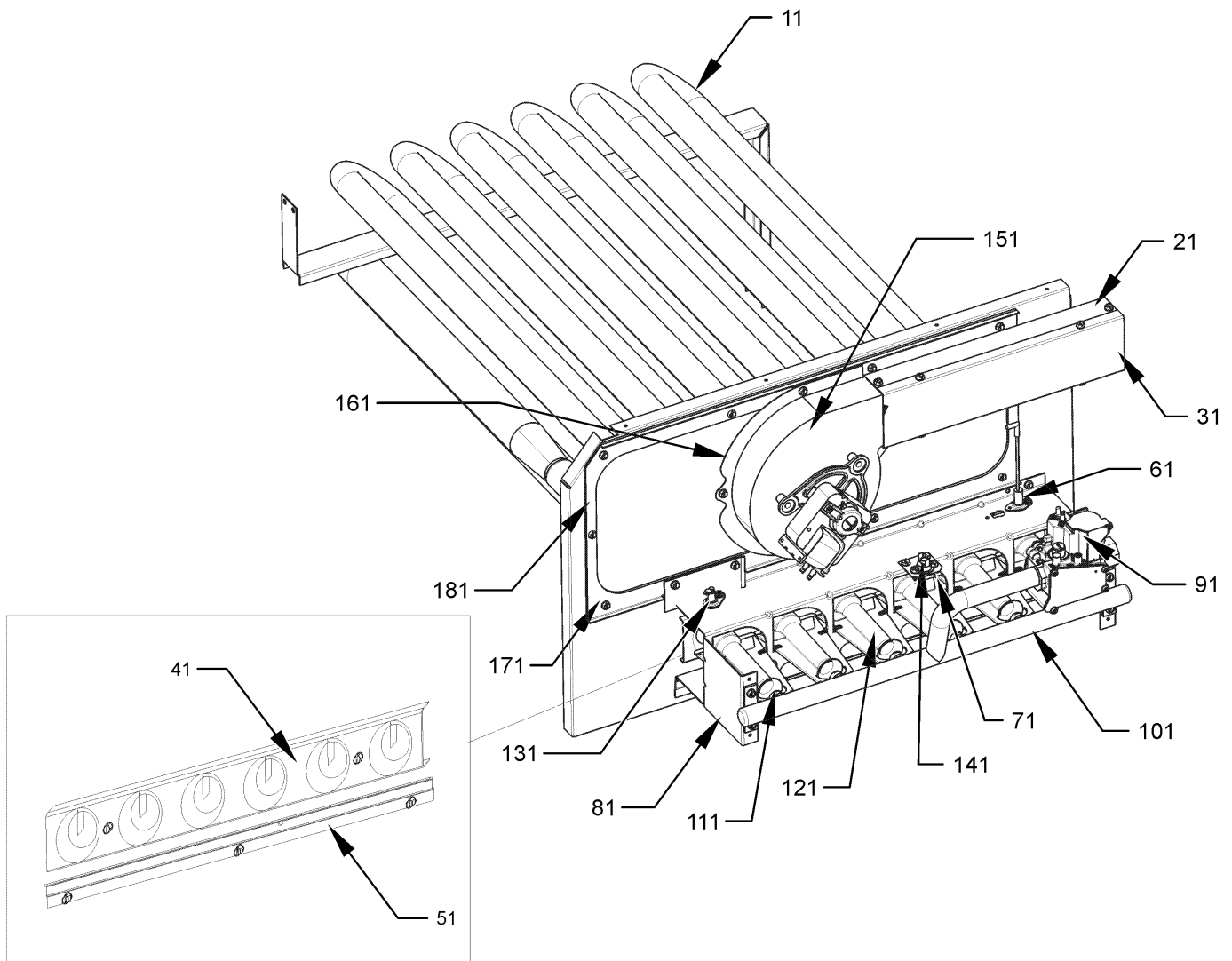
Image 2:

12	PCBAG123	IGNITION BOARD, DSI INTEGRATED (M1, M2, M6, M7, M8, M9)
22	0130M00138	TRANSFORMER 208/230, 24V
32	0130M00025	24V RELAY (M1, M2, M6, M7, M8, M9)
42	CONT3P030024V	CONTACTOR 30 AMP, 3P, 24V (M3, M4, M5, M10, M11, M12, M13, M14, M15, M16, M17, M18, M19, M20)
42	CONT2P040024V	CONTACTOR 40 AMP, 2P, 24V (M1, M2, M6, M7, M8, M9)
62	CAP050000370LA	CAPACITOR 5/370V (M3, M4, M5, M10, M11, M12, M13, M14, M15, M16, M17, M18, M19, M20)
62	CAP050700440CT	CAPACITOR 5/70/440V/DUAL RD (M1, M2, M6, M7, M8, M9)
72	0130M00038	TERMINAL BOARD (M3, M4, M5, M10, M11, M12, M13, M14, M15, M16, M17, M18, M19, M20)
NS	20520901	CAPACITOR STRAP (M1, M2, M6, M7, M8, M9)
NS	0259L00179	HARNESS, ECONOMIZER (M3, M4, M5, M10, M11, M12, M13, M14, M15, M16, M17, M18, M19, M20)
NS	0259L00125	HARNESS, WIRING (M3, M4, M5, M10, M11, M12, M13, M14, M15, M16, M17, M18, M19, M20)
NS	0130M00127	MOTOR POWER HARNESS (M3, M4, M5, M10, M11, M12, M13, M14, M15, M16, M17, M18, M19, M20)
NS	0259L00054	WIRING HARNESS (M3, M4, M5, M10, M11, M12, M13, M14, M15, M16, M17, M18, M19, M20)
NS	0259L00054	WIRING HARNESS (M3, M4, M5, M10, M11, M12, M13, M14, M15, M16, M17, M18, M19, M20)
NS	0259L00066	WIRING HARNESS (M3, M4, M5, M10, M11, M12, M13, M14, M15, M16, M17, M18, M19, M20)
NS	0259L00066	WIRING HARNESS (M3, M4, M5, M10, M11, M12, M13, M14, M15, M16, M17, M18, M19, M20)
NS	0259L00069	WIRING HARNESS (M1, M2, M6, M7, M8, M9)
NS	0259L00069	WIRING HARNESS (M1, M2, M6, M7, M8, M9)

Expanded Model Nomenclature

M1 - DCG0601403DJXBAB
M2 - DCG0601403DJXCAA
M3 - DCG0601403DXSXAA
M4 - DCG0601403DXXBAB
M5 - DCG0601403DXXXAA
M6 - DCG0601403DXXXAB
M7 - DCG0600901DXXXAA
M8 - DCG0600901DXXXAB
M9 - DCG0600903DXSXAB
M10 - DCG0600903DXXXAA
M11 - DCG0600903DXXXAB
M12 - DCG0601401DAXXAA
M13 - DCG0601401DXSXAA
M14 - DCG0601401DXXXAA
M15 - DCG0601401DXXXAB
M16 - DCG0601403DAXDAB
M17 - DCG0601403DHXBAA
M18 - DCG0601403DHXBAB
M19 - DCG0601403DHXDAA
M20 - DCG0601403DHXGAB

Heat Exchanger Assy



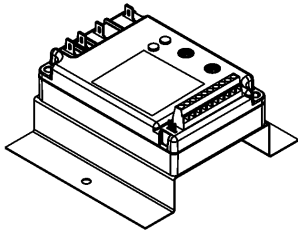
Heat Exchanger Assy

Ref. Part No: No:	Description:	Ref. Part No: No:	Description:
<i>Image 1:</i>		Expanded Model Nomenclature	
11	0270L00092 PART/TUBE ASSY 4B (M1, M2, M4, M5)	M1 - DCG0601403DJXBAB	
11	0270L00105 PART/TUBE ASSY 4B (M3)	M2 - DCG0601403DJXCAA	
11	0270L00072 PART/TUBE ASSY 6B (M6, M8, M9, M10, M11, M12, M13, M14, M15, M16, M18, M19, M20)	M3 - DCG0601403DXSXAA	
11	0270L00104 PART/TUBE ASSY 6B (M7, M17)	M4 - DCG0601403DXXBAB	
21	0121L00277 FLUE CHANNEL	M5 - DCG0601403DXXXAA	
31	0121L00278 FLUE SIDE COVER	M6 - DCG0601403DXXXAB	
41	11072203 ORIFICE SHIELD (M1, M2, M3, M4, M5)	M7 - DCG0600901DXXXAA	
41	11072205 ORIFICE SHIELD (M6, M7, M8, M9, M10, M11, M12, M13, M14, M15, M16, M17, M18, M19, M20)	M8 - DCG0600901DXXXAB	
51	0121L00267 BURNER SLIDE BRACKET	M9 - DCG0600903DXSXAB	
61	20261709 IGNITOR	M10 - DCG0600903DXXXAA	
71	0121L00053 FLAME ROLLOUT BRACKET	M11 - DCG0600903DXXXAB	
81	20190412 BURNER BRACKET 4B (M1, M2, M3, M4, M5)	M12 - DCG0601401DAXXAA	
81	0121F00145 BURNER BRACKET 6B (M6, M7, M8, M9, M10, M11, M12, M13, M14, M15, M16, M17, M18, M19, M20)	M13 - DCG0601401DXSXAA	
91	0151F00000P GAS VALVE - WHITE-RODGERS 2-STAGE	M14 - DCG0601401DXXXAA	
101	0163L00026 MANIFOLD - 4 BRNR (M1, M2, M3, M4, M5)	M15 - DCG0601401DXXXAB	
101	0163L00025 MANIFOLD - 6 BRNR (M6, M7, M8, M9, M10, M11, M12, M13, M14, M15, M16, M17, M18, M19, M20)	M16 - DCG0601403DAXDAB	
111	0163F00018 ORIFICE (QTY 4)	M17 - DCG0601403DHXBAA	
121	10735102 BECKETT BURNER (QTY 4)	M18 - DCG0601403DHXBAB	
131	0130F00010 FLAME SENSOR	M19 - DCG0601403DHXDAA	
141	10123532 MANUAL RESET LIMIT 350°F	M20 - DCG0601403DHXGAB	
151	0131M00121 ID COMBUSTION BLOWER		
161	0154L00020 ID BLOWER GASKET		
171	0121L00241 ID BLOWER PLATE (M6, M7, M8, M9, M10, M11, M12, M13, M14, M15, M16, M17, M18, M19, M20)		
171	0121L00284 ID BLOWER PLATE 4 BRNR (M1, M2, M3, M4, M5)		
181	0154L00018 ID BLOWER PLATE GASKET 4 BRNR (M1, M2, M3, M4, M5)		
181	0154L00017 ID BLOWER PLATE GASKET 6 BRNR (M6, M7, M8, M9, M10, M11, M12, M13, M14, M15, M16, M17, M18, M19, M20)		
NS	0163L00072 SCREEN-FLUE		

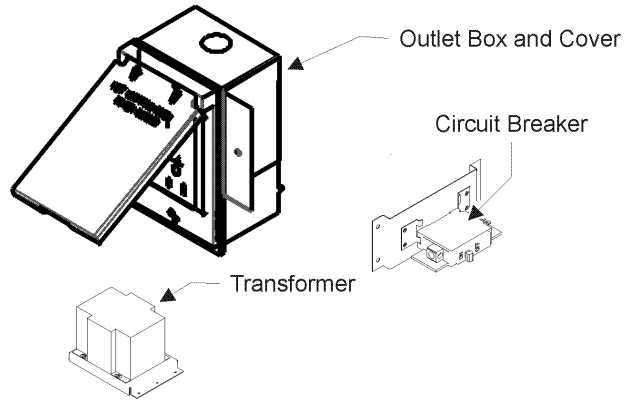
ACCESSORY PARTS LIST

NOTE: NOT ALL OPTIONS AVAILABLE FOR ALL PRODUCTS

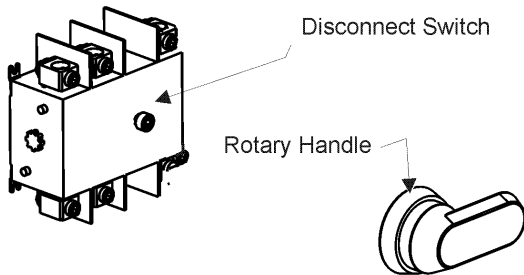
LOW AMBIENT KITS



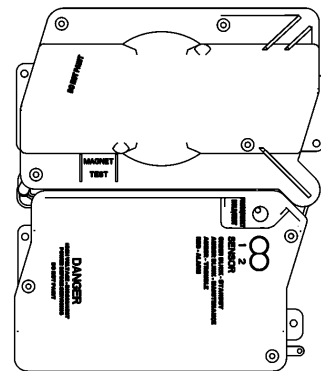
GFCI CONVENIENCE OUTLET



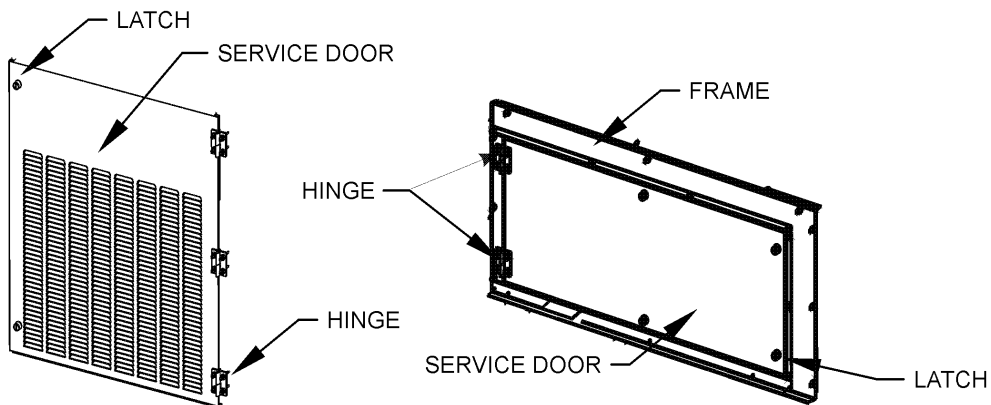
DISCONNECT MODULE (NON-FUSED)



SMOKE DETECTORS



HINGED DOOR ASSEMBLIES



Accessory Parts

Ref. Part No:	No:	Description:	Ref. Part No:	No:	Description:
Image 1:					
NS	0121L00316	BRACKET-CONV OUTLET MOUNT (M11, M12, M14, M15, M18)			
NS	0121L00332	BRACKET-SMOKE DETECTOR (M10, M13, M14)			
NS	0130M00065	CIRCUIT BREAKER, CONVENIENCE OUTLET (M11, M12, M15, M18)			
NS	0121L00837NG	DISCONNECT COVER (M11, M12, M13, M14, M15, M16)			
NS	0130L00012	GANG BOX-GFCI OUTLET (M11, M12, M14, M15, M18)			
NS	0130L00039	HANDLE, ROTARY (M11, M12, M13, M14, M15, M16)			
NS	LAKT01	LOW AMBIENT KIT (M16)			
NS	0161G00012	POWER OUTLET BOX (M11, M12, M14, M15, M18)			
NS	0130L00103	RECEPTACLE-GFCI OUTLET (M11, M12, M14, M15, M18)			
NS	0130L00042	SHAFT, CUT (M11, M12, M13, M14, M15, M16)			
NS	0130L00049	SHAFT, DISCONNECT (M11, M12, M13, M14, M15, M16)			
NS	D4120	SMOKE DETECTOR, PHOTO 4WIRE (M10, M13, M14)			
NS	0130L00046	SWITCH-DISCONNECT 60A (M11, M12, M13, M14, M15, M16)			
NS	0130M00061	TRANSFORMER, CONVENIENCE OUTLET (M11, M12, M15, M18)			

Expanded Model Nomenclature

- M1 - DCG0601403DJXBAB
- M2 - DCG0601403DJXCAA
- M3 - DCG0601403DXSXAA
- M4 - DCG0601403DXXBAB
- M5 - DCG0601403DXXXAA
- M6 - DCG0601403DXXXAB
- M7 - DCG0600901DXXXAA
- M8 - DCG0600901DXXXAB
- M9 - DCG0600903DXSXAB
- M10 - DCG0600903DXXXAA
- M11 - DCG0600903DXXXAB
- M12 - DCG0601401DAXXAA
- M13 - DCG0601401DXSXAA
- M14 - DCG0601401DXXXAA
- M15 - DCG0601401DXXXAB
- M16 - DCG0601403DAXDAB
- M17 - DCG0601403DHXBAA
- M18 - DCG0601403DHXBAB
- M19 - DCG0601403DHXDAA
- M20 - DCG0601403DHXGAB