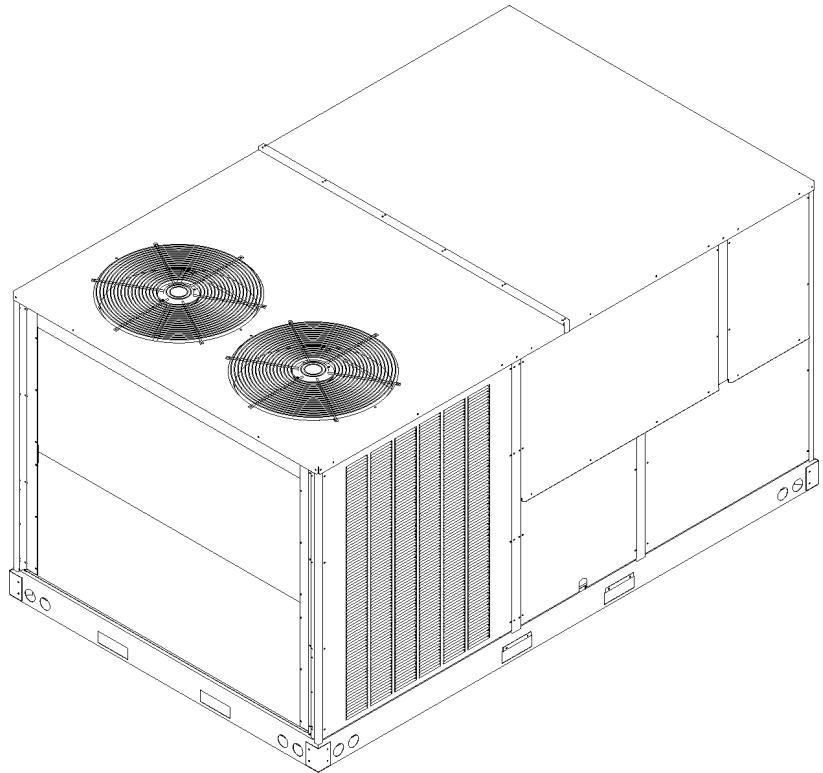


Commercial 12.5 Ton Package Cooling Units

DCC1500163BHXXAA
DCC1500164BXXXAB
DCC1500303BHXFAA
DCC1500304BHXJAB
DCC1500304BXXXAB
DCC1500454BAXJAB
DCC150XXX3BHXXAA
DCC150XXX3BJXAAA
DCC150XXX3BXXXAA
DCC150XXX4BHXXAB
DCC150XXX4BXXBAB
DCC150XXX4BXXEAB
DCC150XXX4BXXXAA
DCC150XXX4BXXXAB
DCC150XXX7BXXXAA
DCC150XXX7BXXXAB



This manual is to be used by qualified technicians only.

This manual replaces RP-D1025G.

© 2013-2016 **DAIKIN COMPANY, L.P.** ♦ 5151 San Felipe St., Suite 500 ♦ Houston, TX 77056

Important Information

Index

Functional Parts List	3
Illustration and Parts	4 - 15

Views shown are for parts illustrations only, not servicing procedures

Text Codes:

AR - As Required

NA - Not Available

NS - Not Shown

00000000 - See Note

QTY - Quantity Example (QTY 3) (If Quantity not shown, Quantity = 1)

M - Model Example (M1) (If M Code not shown, then part is used on all Models)

Expanded Model Nomenclature:

Example M1 - Model#1 M2 - Model#2 M3 - Model#3

Daikin Company, L.P. is not responsible for personal injury or property damage resulting from improper service. Review all service information before beginning repairs.

Warranty service must be performed by an authorized technician, using authorized factory parts. If service is required after the warranty expires, Daikin Company, L.P. also recommends contacting an authorized technician and using authorized factory parts.

Daikin Company, L.P. reserves the right to discontinue, or change at any time, specifications or designs without notice or without incurring obligations.

For assistance within the U.S.A. contact:

Consumer Affairs Department
Daikin North America, LLC
7401 Security Way
Houston, Texas 77040
855-770-5678-Telephone
713-863-2382-Facsimile

For assistance outside the U.S.A. contact:

International Division
Daikin North America, LLC
7401 Security Way
Houston, Texas 77040
713-861-2500-Telephone
713-863-2382-Facsimile

Functional Parts

Part

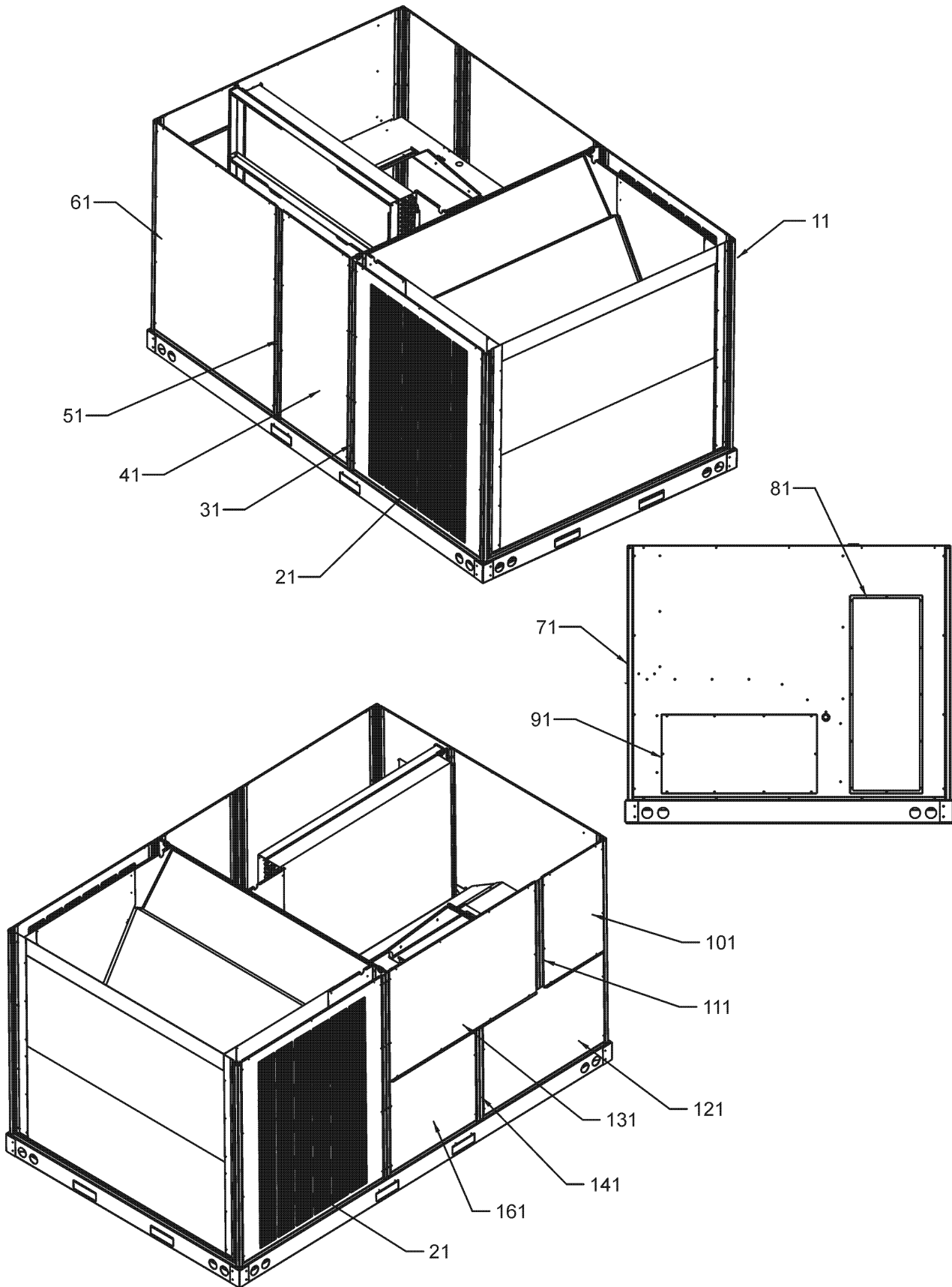
No: Description:

B3240004	BELT DRIVE MOTOR 2 HP (M1, M2, M3, M4, M5, M6, M7, M8, M11, M12, M13, M14, M15, M16)
0131L00006	BELT DRIVE MOTOR 3 HP 575 V (M9, M10)
0130M00042	BLOCK, POWER
CAP100000370LA	CAPACITOR 10/370V (M1, M2, M3, M4, M5, M6, M8, M11, M12, M13, M14, M15, M16)
CAP050000370LA	CAPACITOR 5/370V (M7, M9)
CAP050000440LA	CAPACITOR 5/440V (M10)
ZP67KCETFD130	COMPRESSOR 67000, 460/60/3 (M4, M5, M6, M7, M8, M12, M14, M15, M16)
ZP67KCETF5130	COMPRESSOR 67500, 200/230/60/3 (M1, M2, M3, M11, M13)
ZP67KCETFE130	COMPRESSOR 67500, 575/60/3 (M9, M10)
0131M00430	COND MOTOR 1/3 HP, 1 SP, 6 PL (M1, M2, M3, M11, M13)
B13400249	COND MOTOR 1/3 HP, 460V (M7)
0131M00179	COND MOTOR 1/3 HP, 6 PL, 575V (M9)
0131M00500	COND MOTOR 1/3 HP, OD, LAK (M10)
0131M00433	COND MOTOR 460/60 1/3 HP (M4, M5, M6, M8, M12, M14, M15, M16)
CONT3P030024V	CONTACTOR 30 AMP, 3P, 24V (QTY 3)
PCBFM103	ELECTRONIC BLOWER TIME DELAY
10625733	FAN BLADE 22" ALUM CCW (QTY 2)
0164L00001	NOTCHED FAN BELT AX49
0130M00038	TERMINAL BOARD
0130M00144	TRANSFORMER (M1, M2, M3, M11, M13)
0130M00145	TRANSFORMER 480V to 24V, 75VA (M4, M5, M6, M7, M8, M12, M14, M15, M16)
0130M00148	TRANSFORMER 575V to 24V, 75VA (M9, M10)

Expanded Model Nomenclature

M1 - DCC150XXX3BHXXAA
M2 - DCC150XXX3BJXAAA
M3 - DCC150XXX3BXXXAA
M4 - DCC150XXX4BHXXAB
M5 - DCC150XXX4BXXBAB
M6 - DCC150XXX4BXXEAB
M7 - DCC150XXX4BXXXAA
M8 - DCC150XXX4BXXXAB
M9 - DCC150XXX7BXXXAA
M10 - DCC150XXX7BXXXAB
M11 - DCC1500163BHXXAA
M12 - DCC1500164BXXXAB
M13 - DCC1500303BHXFAA
M14 - DCC1500304BHXJAB
M15 - DCC1500304BXXXAB
M16 - DCC1500454BAXJAB

Cabinet Assy



Cabinet Assy

Ref. Part No: No:	Description:	Ref. Part No: No:	Description:
-------------------	--------------	-------------------	--------------

Image 1:

21	0152L00001	GRILLE-CONDENSER (QTY 2)
31	0121L00980RFNG	ROLL FORM SIDE POST (QTY 2)
41	0121L00759NG	FILTER DOOR
51	0121L00757RFNG	FILTER POST
61	0121L00378NG	ECONOMIZER DOOR
71	0121L01287NG	DUCT PANEL (M3, M5, M6, M7, M8, M9, M10, M12, M15)
71	0121L01367NG	DUCT PANEL (M1, M2, M4, M11, M13, M14)
71	0121L01368NG	DUCT PANEL (M16)
81	0121L00082NG	RETURN DUCT COVER
91	0270L00494	SUPPLY DUCT COVER
111	0121L00817RFNG	CONTROL POST
121	0121L00767NG	ELECTRIC HEAT DOOR
131	0121L00819NG	BLOWER DOOR
141	17788000083F	PVC CONDUIT 8.25" (QTY 2)
161	0121L00828NG	BURNER AREA DOOR
NS	0164L00009	GASKET-RUBBER, CPOST (QTY 3)
NS	0164L00011	GASKET-RUBBER, SIDE POST (QTY 4)

Expanded Model Nomenclature

- M1 - DCC150XXX3BHXXAA
- M2 - DCC150XXX3BJXAAA
- M3 - DCC150XXX3BXXXAA
- M4 - DCC150XXX4BHXXAB
- M5 - DCC150XXX4BXXBAB
- M6 - DCC150XXX4BXXEAB
- M7 - DCC150XXX4BXXXAA
- M8 - DCC150XXX4BXXXAB
- M9 - DCC150XXX7BXXXAA
- M10 - DCC150XXX7BXXXAB
- M11 - DCC1500163BHXXAA
- M12 - DCC1500164BXXXAB
- M13 - DCC1500303BHXFAA
- M14 - DCC1500304BHXJAB
- M15 - DCC1500304BXXXAB
- M16 - DCC1500454BAXJAB

Top Panel / Tubing Assy

Image 1

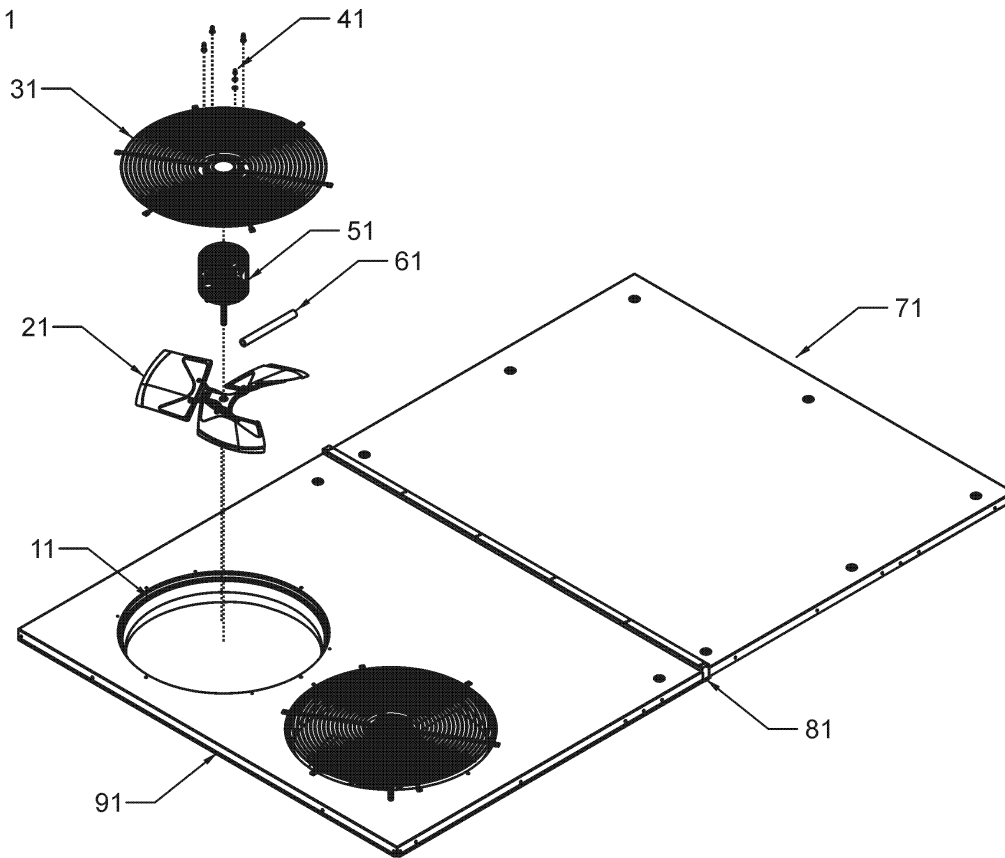
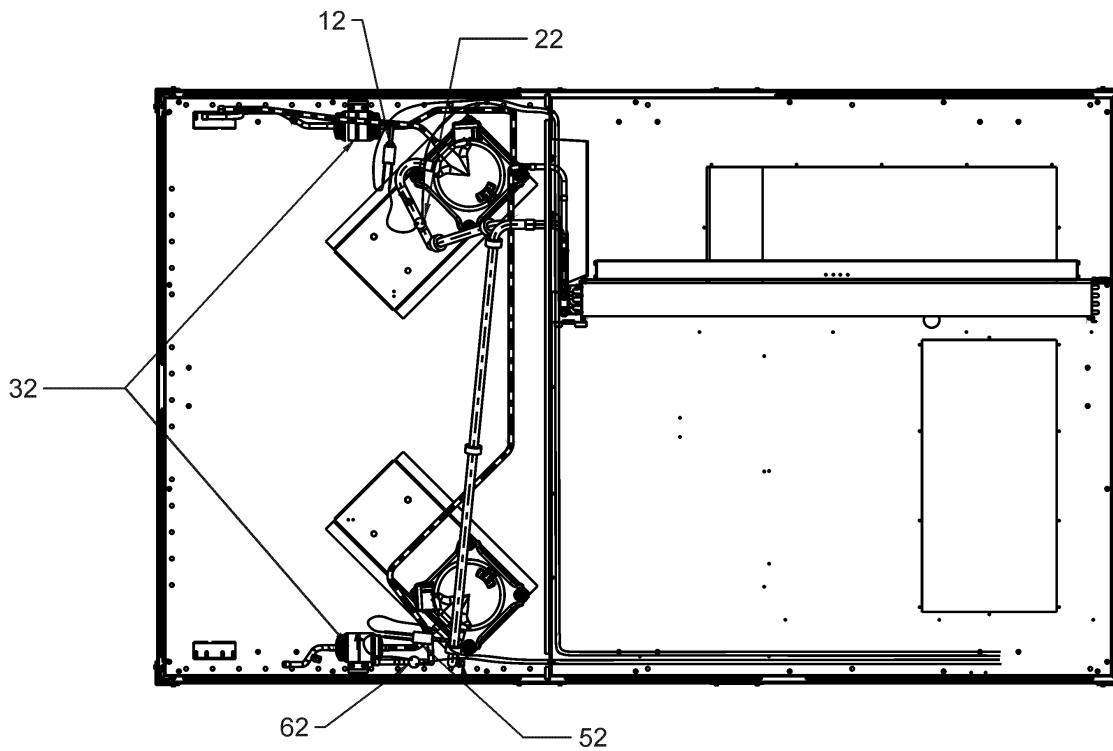


Image 2



Top Panel / Tubing Assy

Ref. Part No: No:	Description:	Ref. Part No: No:	Description:
-------------------	--------------	-------------------	--------------

Image 1:

11	0161L00000	VENTURI RING 22" (QTY 2)
21	10625733	FAN BLADE 22" ALUM CCW (QTY 2)
31	0152G00003	FAN GRILLE (M7, M9)
31	0152G00000	FAN GRILLE, RAISED (M1, M2, M3, M4, M5, M6, M8, M10, M11, M12, M13, M14, M15, M16)
41	0163M00006P	ACORN NUT 5/16 HEX BLACK (QTY 8)
51	0131M00430	COND MOTOR 1/3 HP, 1 SP, 6 PL (M1, M2, M3, M11, M13)
51	B13400249	COND MOTOR 1/3 HP, 460V (M7)
51	0131M00179	COND MOTOR 1/3 HP, 6 PL, 575V (M9)
51	0131M00500	COND MOTOR 1/3 HP, OD, LAK (M10)
51	0131M00433	COND MOTOR 460/60 1/3 HP (M4, M5, M6, M8, M12, M14, M15, M16)
61	0259L00146	POWER HARNESS
71	0121L00497NG	TOP INDOOR
81	20455902	SPLICE GASKET .50 X .25 (QTY 5)
91	0121L01105NG	TOP OUTDOOR
NS	0259L00025	COND MOTOR HARNESS 230V (M13)
NS	0259L00027	COND MOTOR HARNESS 230V (M1, M2, M3, M9, M10, M11, M13)
NS	0259L00026	COND MOTOR HARNESS 460V (M4, M5, M6, M7, M8, M12, M14, M15, M16)
NS	0259L00028	COND MOTOR HARNESS 460V (M4, M5, M6, M7, M8, M12, M14, M15, M16)
NS	0163M00004	SCREW #10X3/4", BLACK (QTY 3)
NS	0163M00005P	WASHER, BLACK (.50 OD .218ID) (QTY 8)
NS	0259L00167	WIRE HARNESS, ECONOMIZER

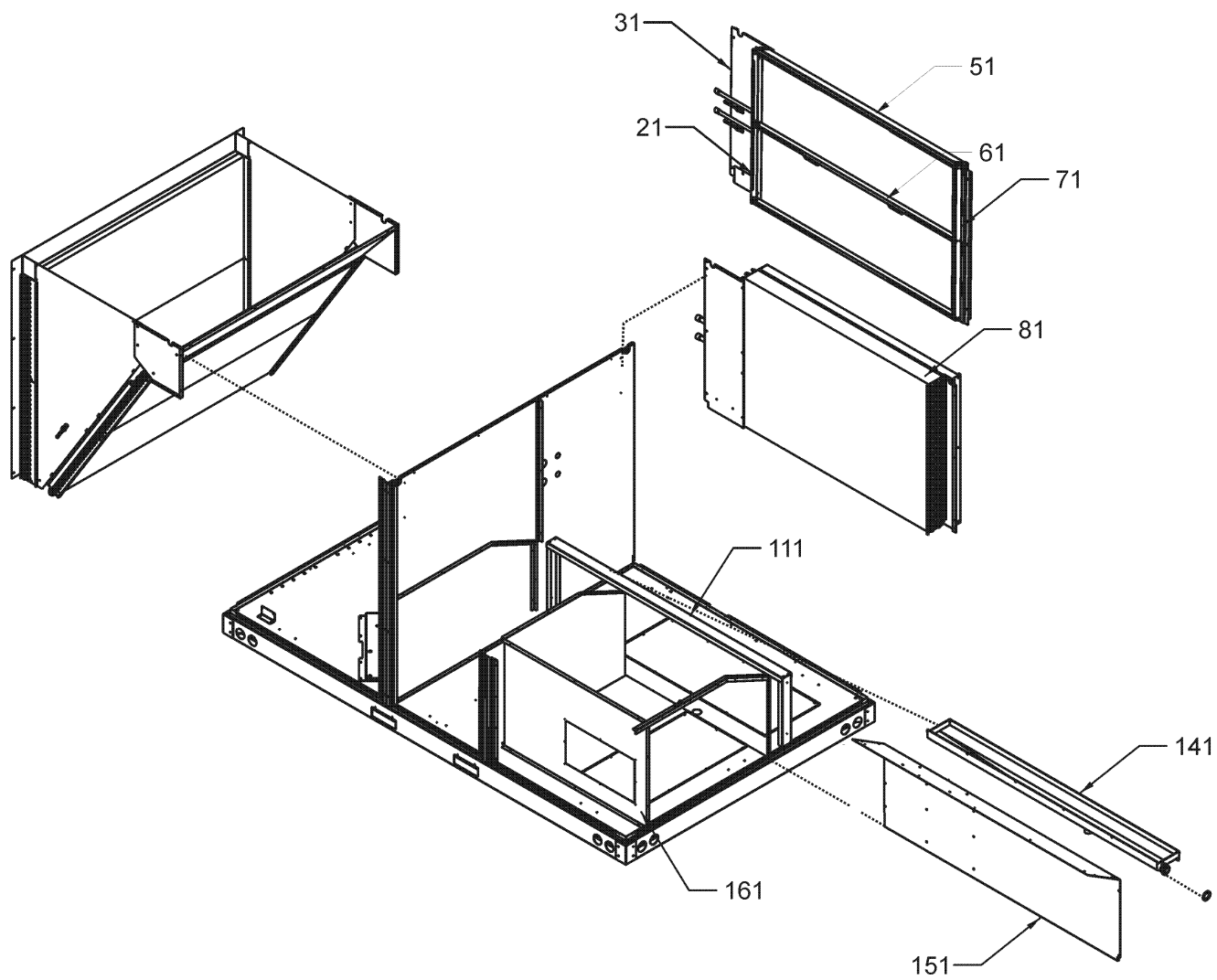
Image 2:

12	0130M00074	CUT-OUT SWITCH, HIGH PRESSURE
22	0130M00075	CUT-OUT SWITCH, LOW PRESSURE
32	0151M00012	BI-FLOW FILTER DRIER
52	0130M00075	CUT-OUT SWITCH, LOW PRESSURE
62	0130M00074	CUT-OUT SWITCH, HIGH PRESSURE
NS	B1373315	ACCESS FITTING (QTY 4)
NS	0163M00175	CAP WITH O-RING (QTY 4)

Expanded Model Nomenclature

M1 - DCC150XXX3BHXXAA
M2 - DCC150XXX3BJXAAA
M3 - DCC150XXX3BXXXAA
M4 - DCC150XXX4BHXXAB
M5 - DCC150XXX4BXXBAB
M6 - DCC150XXX4BXXEAB
M7 - DCC150XXX4BXXXAA
M8 - DCC150XXX4BXXXAB
M9 - DCC150XXX7BXXXAA
M10 - DCC150XXX7BXXXAB
M11 - DCC1500163BHXXAA
M12 - DCC1500164BXXXAB
M13 - DCC1500303BHXFAA
M14 - DCC1500304BHXJAB
M15 - DCC1500304BXXXAB
M16 - DCC1500454BAXJAB

Partition / Evaporator Assembly



Partition / Evaporator Assembly

Ref. Part No: No:	Description:	Ref. Part No: No:	Description:
-------------------	--------------	-------------------	--------------

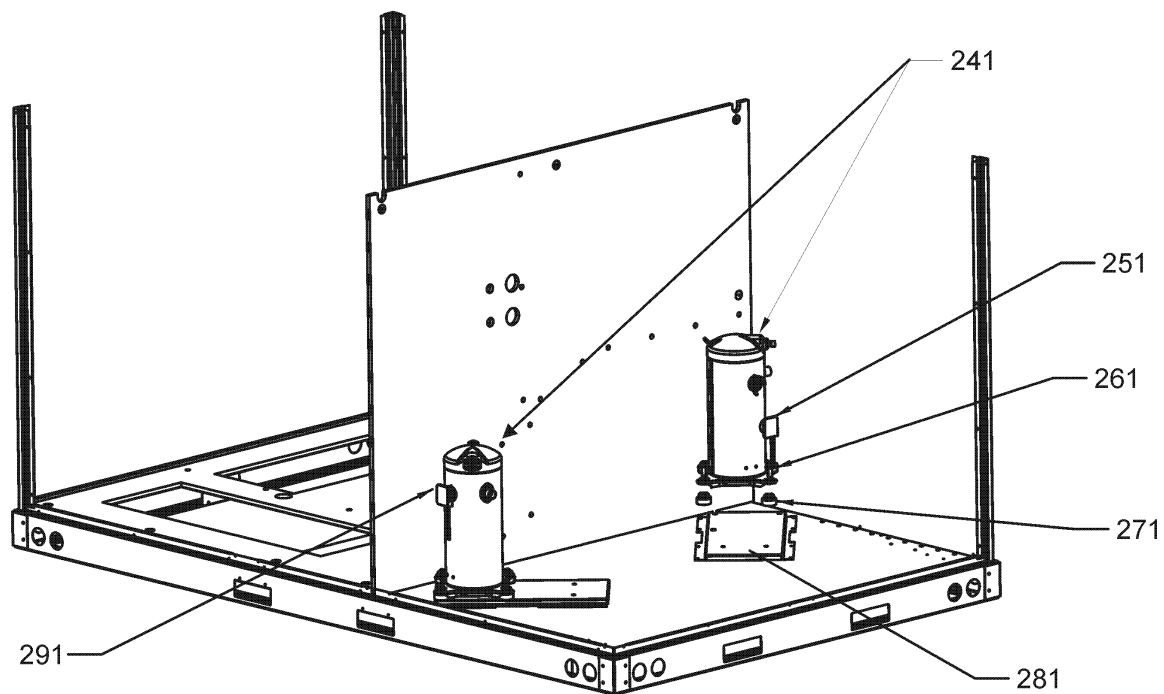
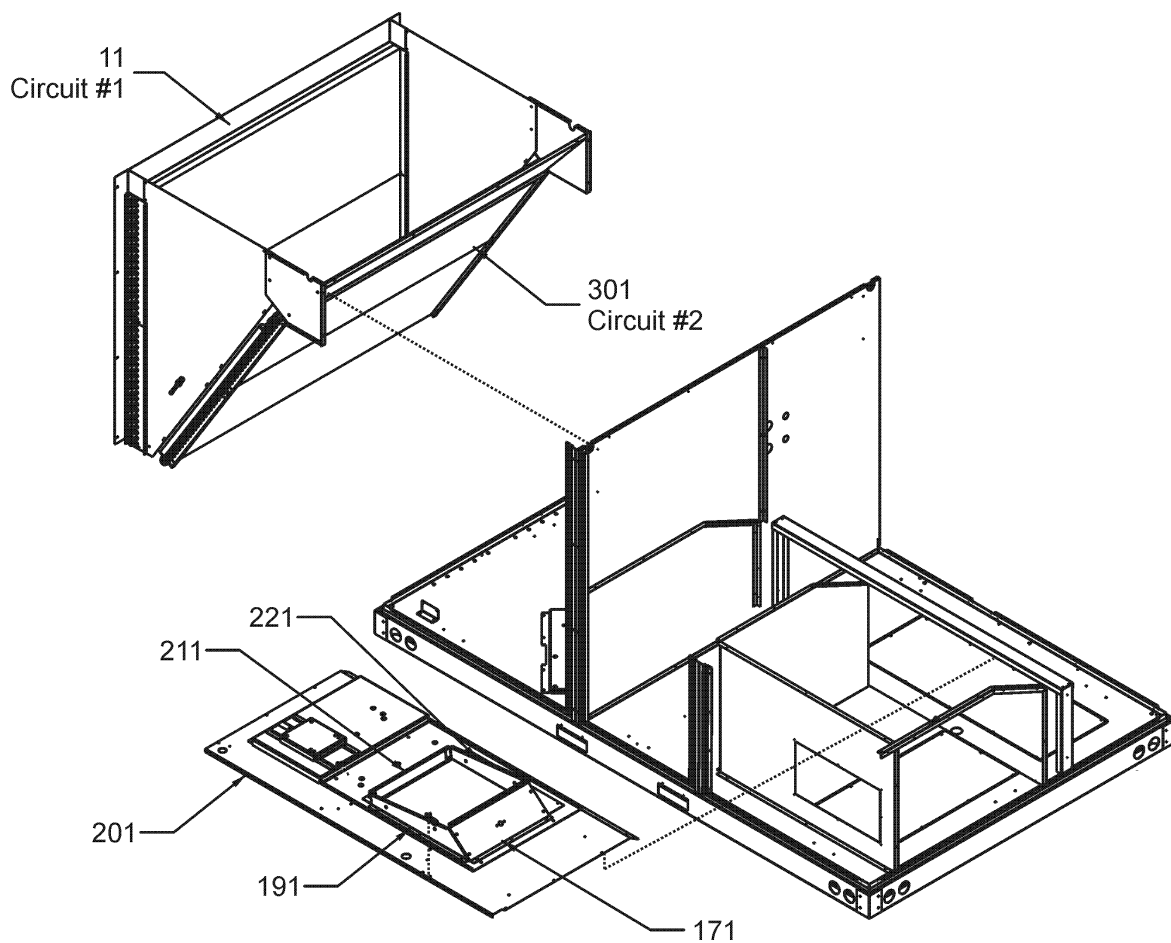
Image 1:

21	0121L00519	FILTER ANGLE-VERTICAL (RETURN SIDE)
41	0121L00845	EVAP EXTENSION-HAIRPIN SIDE
51	0121L00399	FILTER ANGLE-HORIZONTAL (QTY 2)
61	0121L01258	ANGLE-FILTER HORIZONTAL
71	0121L00520	FILTER ANGLE-VERTICAL (HAIRPIN SIDE)
81	0202L00079	TUBING ASSY, EVAP COIL
111	0121L00372	DRAIN PAN SUPPORT
141	0161L00002	DRAIN PAN
151	0121L00374	DECK SIDE CHANNEL
161	0121L00365	ELECTRIC HEAT PANEL
NS	0160L00137	Air Filter 20x25x2 (QTY 4)
NS	0121L00321	SMOKE DETECTOR COVER (QTY 2)

Expanded Model Nomenclature

M1 - DCC150XXX3BHXXAA
M2 - DCC150XXX3BJXAAA
M3 - DCC150XXX3BXXXAA
M4 - DCC150XXX4BHXXAB
M5 - DCC150XXX4BXXBAB
M6 - DCC150XXX4BXXEAB
M7 - DCC150XXX4BXXXAA
M8 - DCC150XXX4BXXXAB
M9 - DCC150XXX7BXXXAA
M10 - DCC150XXX7BXXXAB
M11 - DCC1500163BHXXAA
M12 - DCC1500164BXXXAB
M13 - DCC1500303BHXFAA
M14 - DCC1500304BHXJAB
M15 - DCC1500304BXXXAB
M16 - DCC1500454BAXJAB

Compressor / Condenser / Partition Assy



Compressor / Condenser / Partition Assy

Ref. Part No:	No:	Description:	Ref. Part No:	No:	Description:
Image 1:					
11	0201L00197	COND COIL ASSY, 5MM			
171	0121L00168	BLOWER TRANSITION, RH END			
191	0121L00092	BLOWER TRANSITION, FRONT			
201	0121L01399	BLOWER DECK			
211	0121L00169	BLOWER TRANSITION, LH END			
221	0121L00094	BLOWER TRANSITION, BACK			
241	ZP67KCETFD130	COMPRESSOR 67000, 460/60/3 (M4, M5, M6, M7, M8, M12, M14, M15, M16)			
241	ZP67KCETF5130	COMPRESSOR 67500, 200/230/60/3 (M1, M2, M3, M11, M13)			
241	ZP67KCETFE130	COMPRESSOR 67500, 575/60/3 (M9, M10)			
251	0159L00004	COMPRESSOR SCROLL HARNESS (M4, M5, M6, M7, M8, M9, M10, M12, M14, M15, M16)			
251	0159L00009	COMPRESSOR SCROLL HARNESS (M1, M2, M3, M11, M13)			
261	M0221641	TF SHOULDER SCREW (QTY 8)			
271	B1339533	COMPRESSOR GROMMET (QTY 8)			
281	0121L00408	COMPRESSOR MOUNTING PLATE (QTY 2)			
291	0159L00004	COMPRESSOR SCROLL HARNESS (M4, M5, M6, M7, M8, M9, M10, M12, M14, M15, M16)			
291	0159L00009	COMPRESSOR SCROLL HARNESS (M1, M2, M3, M11, M13)			
291	0159L00033	COMPRESSOR SCROLL HARNESS (M1, M2, M3, M11, M13)			
291	0159L00035	COMPRESSOR SCROLL HARNESS (M4, M5, M6, M7, M8, M9, M10, M12, M14, M15, M16)			
301	0201L00198	COND COIL ASSY, 5MM C2			

Expanded Model Nomenclature

M1 - DCC150XXX3BHXXAA
M2 - DCC150XXX3BJXAAA
M3 - DCC150XXX3BXXXAA
M4 - DCC150XXX4BHXXAB
M5 - DCC150XXX4BXXBAB
M6 - DCC150XXX4BXXEAB
M7 - DCC150XXX4BXXXAA
M8 - DCC150XXX4BXXXAB
M9 - DCC150XXX7BXXXAA
M10 - DCC150XXX7BXXXAB
M11 - DCC1500163BHXXAA
M12 - DCC1500164BXXXAB
M13 - DCC1500303BHXFAA
M14 - DCC1500304BHXJAB
M15 - DCC1500304BXXXAB
M16 - DCC1500454BAXJAB

Belt Drive Blower and Control Box Assy

Image 1

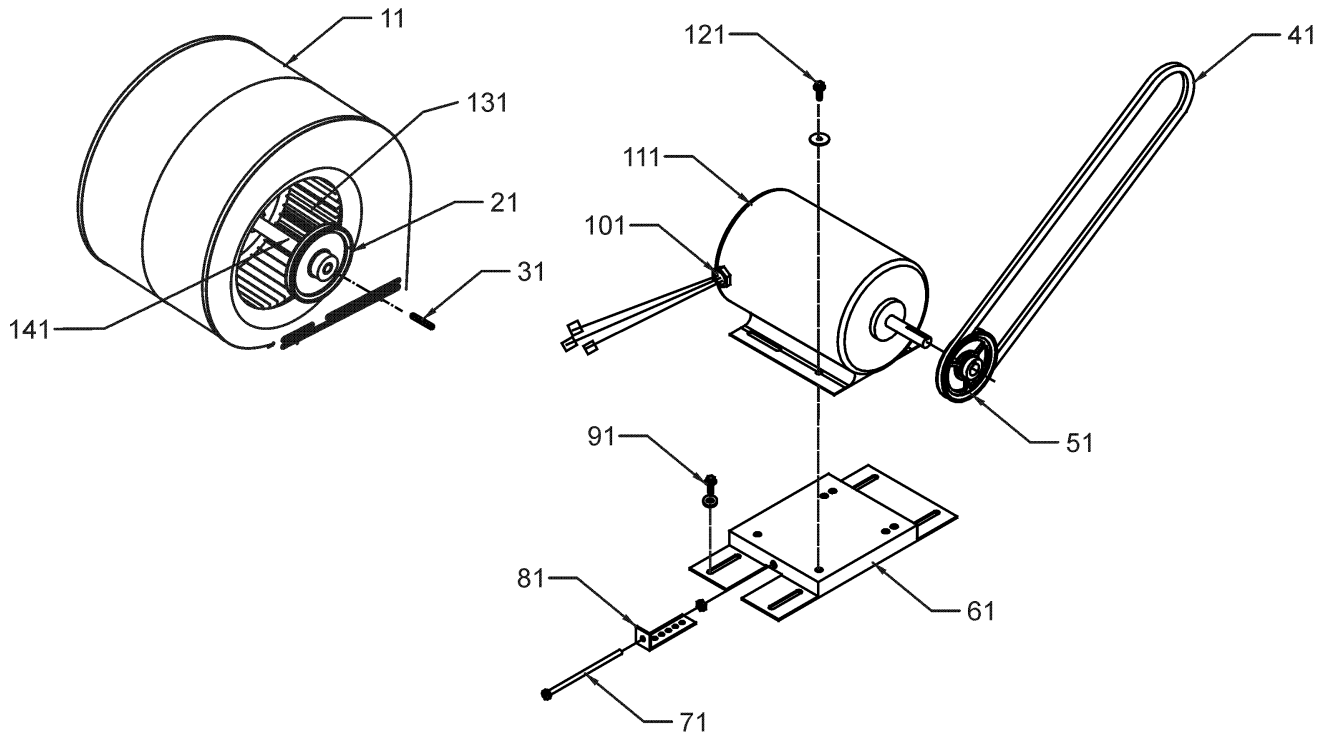
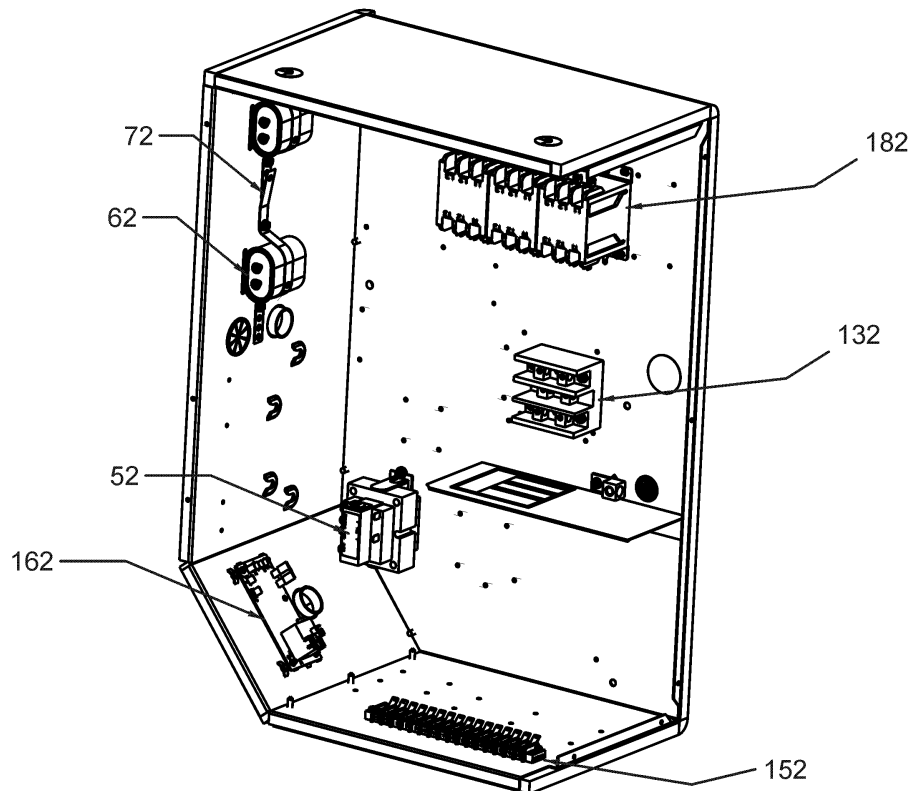


Image 2



Belt Drive Blower and Control Box Assy

Ref. Part No: No:	Description:	Ref. Part No: No:	Description:
-------------------	--------------	-------------------	--------------

Image 1:

11	04-01526	BLOWER HOUSING
21	B3204310	FIXED SHEAVE AK66
31	B1398604	STEEL KEY (000158812) 2.0"
41	0164L00001	NOTCHED FAN BELT AX49
51	0163L00012	VARIABLE PITCH SHEAVE VL40
61	0270L00015	MOTOR BASE ASSY
71	0163M00045	BOLT 1/4-20 X 4"
81	3225000F	BELT TIGHTENER ANGLE
91	B1446707	SCREW 5/16-18 X 1" (QTY 4)
101	B1393726	ELECT. CONNECTING BUSHING
111	B3240004	BELT DRIVE MOTOR 2 HP (M1, M2, M3, M4, M5, M6, M7, M8, M11, M12, M13, M14, M15, M16)
111	0131L00006	BELT DRIVE MOTOR 3 HP 575 V (M9, M10)
121	B1393738	BOLT 1/4-20 X 3/4" (QTY 4)
131	03-78497	BLOWER WHEEL
141	04-11526	BLOWER SHAFT
NS	04-02196	BEARING & FRAME ASSY

Image 2:

52	0130M00144	TRANSFORMER (M1, M2, M3, M11, M13)
52	0130M00145	TRANSFORMER 480V to 24V, 75VA (M4, M5, M6, M7, M8, M12, M14, M15, M16)
52	0130M00148	TRANSFORMER 575V to 24V, 75VA (M9, M10)
62	CAP100000370LA	CAPACITOR 10/370V (M1, M2, M3, M4, M5, M6, M8, M11, M12, M13, M14, M15, M16)
62	CAP050000370LA	CAPACITOR 5/370V (M7, M9)
62	CAP050000440LA	CAPACITOR 5/440V (M10)
72	20520901	CAPACITOR STRAP (QTY 2)
132	0130M00042	BLOCK, POWER
152	0130M00038	TERMINAL BOARD
162	PCBFM103	ELECTRONIC BLOWER TIME DELAY
182	CONT3P030024V	CONTACTOR 30 AMP, 3P, 24V (QTY 3)
NS	0259L00032	LCM HARNESS, ELECTRIC HEAT
NS	0259L00148	WIRE HARNESS ASSY
NS	0259L00158	WIRE HARNESS ASSY

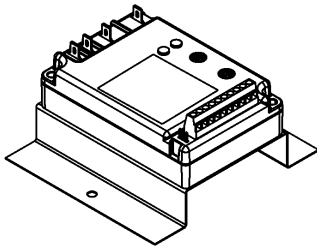
Expanded Model Nomenclature

M1 - DCC150XXX3BHXXAA
M2 - DCC150XXX3BJXAAA
M3 - DCC150XXX3BXXXAA
M4 - DCC150XXX4BHXXAB
M5 - DCC150XXX4BXXBAB
M6 - DCC150XXX4BXXEAB
M7 - DCC150XXX4BXXXAA
M8 - DCC150XXX4BXXXAB
M9 - DCC150XXX7BXXXAA
M10 - DCC150XXX7BXXXAB
M11 - DCC1500163BHXXAA
M12 - DCC1500164BXXXAB
M13 - DCC1500303BHXFAA
M14 - DCC1500304BHXJAB
M15 - DCC1500304BXXXAB
M16 - DCC1500454BAXJAB

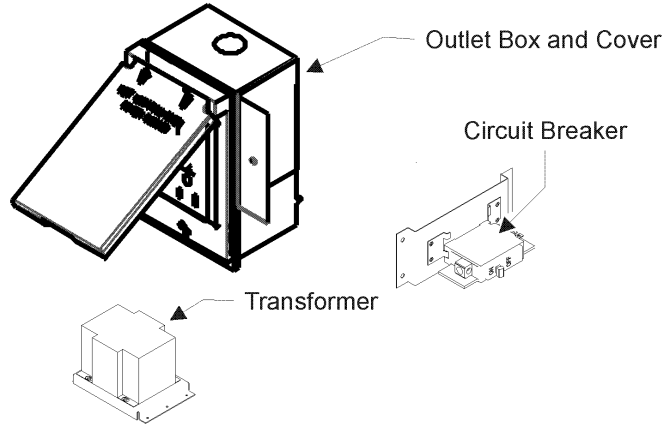
ACCESSORY PARTS LIST

NOTE: NOT ALL OPTIONS AVAILABLE FOR ALL PRODUCTS

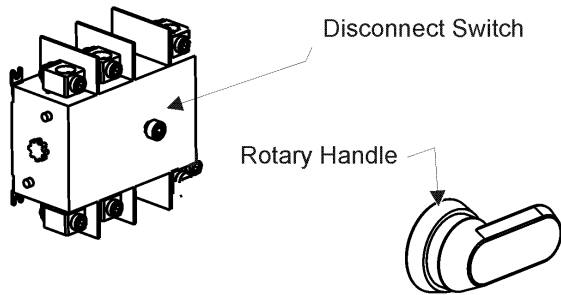
LOW AMBIENT KITS



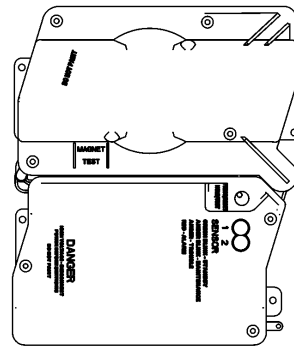
GFCI CONVENIENCE OUTLET



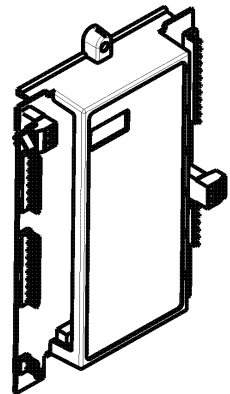
DISCONNECT MODULE (NON-FUSED)



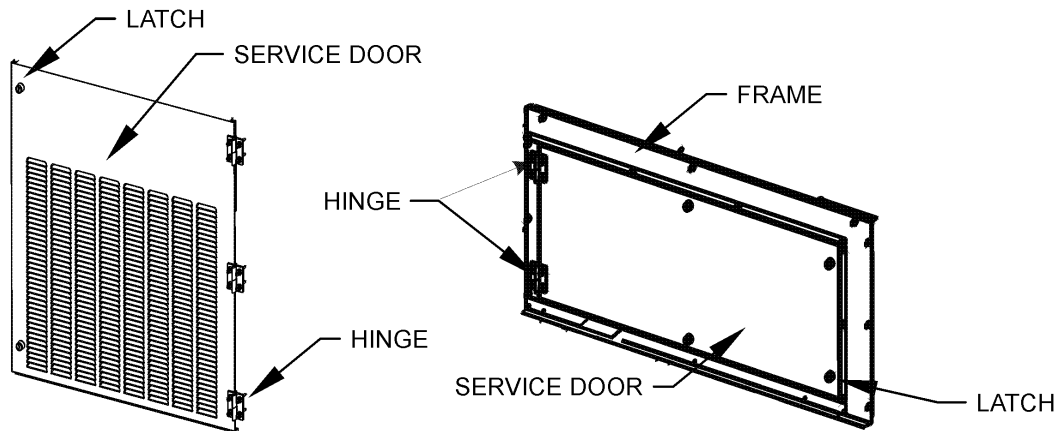
SMOKE DETECTORS



DDC CONTROL



HINGED DOOR ASSEMBLIES



Accessory Parts

Ref. Part No:	No:	Description:	Ref. Part No:	No:	Description:
Image 1:					
NS	0121L00316	BRACKET-CONV OUTLET MOUNT (M2, M5, M13, M14, M16)			
NS	0121L00768	BRACKET-SMOKE DETECTOR (M6, M14, M16)			
NS	0130M00065	CIRCUIT BREAKER, CONVENIENCE OUTLET (M5)			
NS	0121L00973NG	DISCONNECT SWITCH COVER (M1, M2, M4, M11, M13, M14)			
NS	0130L00012	GANG BOX-GFCI OUTLET (M2, M5, M13, M14, M16)			
NS	0130L00039	HANDLE, ROTARY (M1, M2, M4, M11, M13, M14)			
NS	LAKT03	LOW AMBIENT KIT (M13)			
NS	0161G00012	POWER OUTLET BOX (M2, M5, M13, M14, M16)			
NS	0130L00103	RECEPTACLE-GFCI OUTLET (M2, M5, M13, M14, M16)			
NS	0130L00043	SHAFT, CUT (M1, M2, M13)			
NS	0130L00056	SHAFT, CUT (M4, M11)			
NS	0130L00057	SHAFT, CUT (M14)			
NS	0130L00049	SHAFT, DISCONNECT (M1, M2, M4, M11, M13, M14)			
NS	D4120	SMOKE DETECTOR, PHOTO 4WIRE (M6, M14, M16)			
NS	D4S	SMOKE DETECTOR, SENSOR ONLY (M14, M16)			
NS	0130L00027	SWITCH-DISCONNECT 100A (M4, M11)			
NS	0130L00033	SWITCH-DISCONNECT 200A (M1, M2, M13)			
NS	0130L00046	SWITCH-DISCONNECT 60A (M14)			
NS	0130M00061	TRANSFORMER, CONVENIENCE OUTLET (M5)			

Expanded Model Nomenclature

M1 - DCC150XXX3BHXXAA
M2 - DCC150XXX3BJXAAA
M3 - DCC150XXX3BXXXAA
M4 - DCC150XXX4BHXXAB
M5 - DCC150XXX4BXXBAB
M6 - DCC150XXX4BXXEAB
M7 - DCC150XXX4BXXXAA
M8 - DCC150XXX4BXXXAB
M9 - DCC150XXX7BXXXAA
M10 - DCC150XXX7BXXXAB
M11 - DCC1500163BHXXAA
M12 - DCC1500164BXXXAB
M13 - DCC1500303BHXFAA
M14 - DCC1500304BHXJAB
M15 - DCC1500304BXXXAB
M16 - DCC1500454BAXJAB