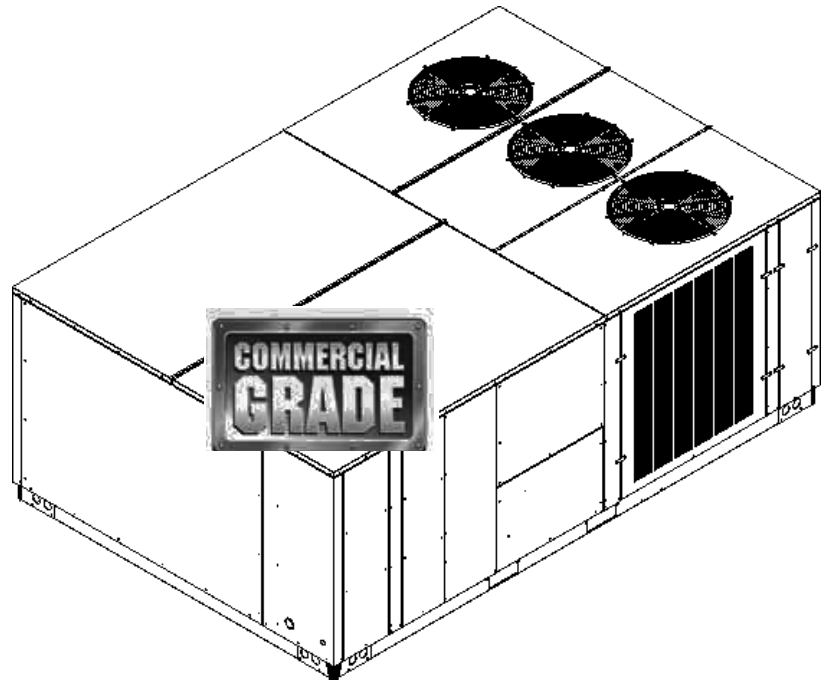


Commercial 20 Ton Package Cooling Units

DCC2400313BAXCAA
DCC2400604BXXBAB
DCC240XXX3BHXXAA
DCC240XXX3BXXQAA
DCC240XXX3BXXXAA
DCC240XXX4BHXXAB
DCC240XXX4BXXAAB
DCC240XXX4BXXXAA
DCC240XXX4BXXXAB
DCC240XXX7BXXXAA
DCC240XXX7BXXXAB



This manual is to be used by qualified technicians only.

This manual replaces RP-D1027C.

© 2013-2014 **DAIKIN COMPANY, L.P.** ♦ 5151 San Felipe St., Suite 500 ♦ Houston, TX 77056

Important Information

Index

Functional Parts List	3
Illustration and Parts	4 - 21

Views shown are for parts illustrations only, not servicing procedures

Text Codes:

AR - As Required

NA - Not Available

NS - Not Shown

00000000 - See Note

QTY - Quantity Example (QTY 3) (If Quantity not shown, Quantity = 1)

M - Model Example (M1) (If M Code not shown, then part is used on all Models)

Expanded Model Nomenclature:

Example M1 - Model#1 M2 - Model#2 M3 - Model#3

Daikin Company, L.P. is not responsible for personal injury or property damage resulting from improper service. Review all service information before beginning repairs.

Warranty service must be performed by an authorized technician, using authorized factory parts. If service is required after the warranty expires, Daikin Company, L.P. also recommends contacting an authorized technician and using authorized factory parts.

Daikin Company, L.P. reserves the right to discontinue, or change at any time, specifications or designs without notice or without incurring obligations.

For assistance within the U.S.A. contact:

Consumer Affairs Department
Daikin North America, LLC
7401 Security Way
Houston, Texas 77040
855-770-5678-Telephone
713-863-2382-Facsimile

For assistance outside the U.S.A. contact:

International Division
Daikin North America, LLC
7401 Security Way
Houston, Texas 77040
713-861-2500-Telephone
713-863-2382-Facsimile

Functional Parts

Part

No: Description:

0271L00027	150-15R BD 1.44 TWIN BLOWER
B1370751	24V RELAY (QTY 2)
0130M00025	24V RELAY (QTY 2)
0130M00042	BLOCK, DISTRIB. 7.5-25 TON
CAP050000440LA	CAPACITOR (M9)
CAP100000370LA	CAPACITOR 10/370V (M1, M2, M3, M4, M5, M7, M10, M11)
CAP050000370LA	CAPACITOR 5/370V (M6, M8)
ZP120KCETFE155	COMPRESSOR 121,000, 575/60/3 (M8, M9)
ZP120KCETF5250	COMPRESSOR 123,000, 200/230/60/3 (M1, M2, M3, M10)
ZP120KCETFD155	COMPRESSOR 123,000, 460/60/3 (M4, M5, M6, M7, M11)
0131M00430	COND MOTOR 1/3 HP, 1 SP, 6 PL (M1, M2, M3, M10)
B13400249	COND MOTOR 1/3 HP, 460V (M6)
0131M00179	COND MOTOR 1/3 HP, 6 PL, 575V (M8)
0131M00500	COND MOTOR 1/3 HP, OD, LAK (M9)
0131M00433	COND MOTOR 460/60 1/3 HP (M4, M5, M7, M11)
0131M00274	COND MOTOR 5.0 HP (M1, M2, M3, M4, M5, M6, M7, M10, M11)
CONT3P050024V	CONT, 3 POLE, 50 AMP, 24 VAC (M1, M2, M3, M10)
CONT3P030024V	CONTACTOR 30 AMP, 3P, 24V
0130L00020	CRANK CASE HEATER, 90W, 240V (M1, M2, M3, M10)
0130L00021	CRANK CASE HEATER, 90W, 480V (M4, M5, M6, M7, M11)
0130L00022	CRANK CASE HEATER, 90W, 575V (M8, M9)
0130M00087	CUT-OUT SWITCH, LOW PRESSURE
PCBFM103	ELECTRONIC BLOWER TIME DELAY
10625733	FAN BLADE 22" ALUM CCW (QTY 3)
0130M00074	HIGH PRESSURE SWITCH
0131L00007	MOTOR-5 HP BELT DRIVE 575V 3P (M8, M9)
0164L00005	NOTCHED FAN BELT BX46
0130M00038	TERMINAL BOARD
0130M00144	TRANSFORMER (M1, M2, M3, M10)
0130M00145	TRANSFORMER 480V to 24V, 75VA (M4, M5, M6, M7, M11)
0130M00148	TRANSFORMER 575V to 24V, 75VA (M8, M9)

Expanded Model Nomenclature

M1 - DCC240XXX3BHXXAA
M2 - DCC240XXX3BXXQAA
M3 - DCC240XXX3BXXXAA
M4 - DCC240XXX4BHXXAB
M5 - DCC240XXX4BXXAAB
M6 - DCC240XXX4BXXXAA
M7 - DCC240XXX4BXXXAB
M8 - DCC240XXX7BXXXAA
M9 - DCC240XXX7BXXXAB
M10 - DCC2400313BAXCAA
M11 - DCC2400604BXXBAB

Cabinet Assembly

Ref. Part No: No:	Description:	Ref. Part No: No:	Description:
-------------------	--------------	-------------------	--------------

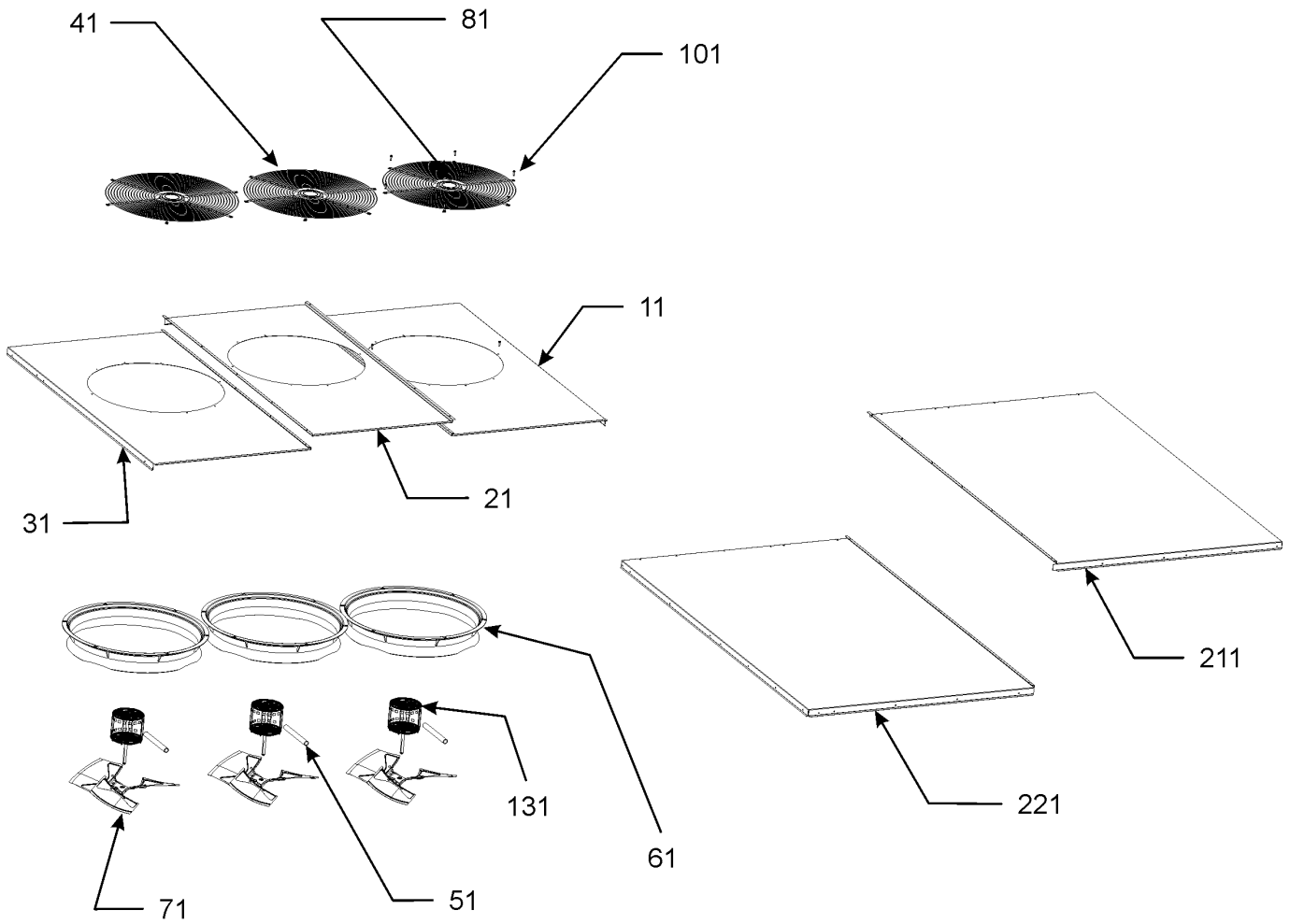
Image 1:

11	0121L01143NG	CORNER POST (QTY 2)
21	0121L00681NG	EVAPORATOR PANEL
51	0121L00679NG	CONTROL CORNER PANEL
61	0121L00673NG	CONTROL/FILTER POST
71	0121L00710NG	POST/BLOWER DOOR
81	0121L00903NG	POST PARTITION-EVAP SIDE
91	0121L00906NG	PNT, POST-PARTITION, (COOL) HT
121	0121L00685NG	BLOWER DOOR-EVAP SIDE
131	0121L00688NG	ACCESSORY PANEL
141	0121L00687NG	CONTROL DOOR
151	0121L00686NG	FILTER DOOR
161	0121L00907NG	PANEL-COND SIDE (QTY 2)
171	0121L01144NG	PNT, POST-COND PANELS (QTY 3)
181	0121L01174NG	LOUVER PANEL (QTY 2)
191	0121L00713NG	BLOWER DOOR-GAS SIDE
201	0121L00708NG	ELECTRIC HEAT DOOR
211	0152L00000	GRILLE-CONDENSER (QTY 2)
221	0121L00476NG	TURNBUCKLE DOOR (QTY 16)
231	0121L00580	CONDENSER POST BRACKET, CENTER
NS	M0204317	SCREW-MACHINE (QTY 16)

Expanded Model Nomenclature

- | |
|------------------------|
| M1 - DCC240XXX3BHXXAA |
| M2 - DCC240XXX3BXXQAA |
| M3 - DCC240XXX3BXXXAA |
| M4 - DCC240XXX4BHXXAB |
| M5 - DCC240XXX4BXXAAB |
| M6 - DCC240XXX4BXXXAA |
| M7 - DCC240XXX4BXXXAB |
| M8 - DCC240XXX7BXXXAA |
| M9 - DCC240XXX7BXXXAB |
| M10 - DCC2400313BAXCAA |
| M11 - DCC2400604BXXBAB |

Top Panel Assembly



Top Panel Assembly

Ref. Part No: No:	Description:	Ref. Part No: No:	Description:
-------------------	--------------	-------------------	--------------

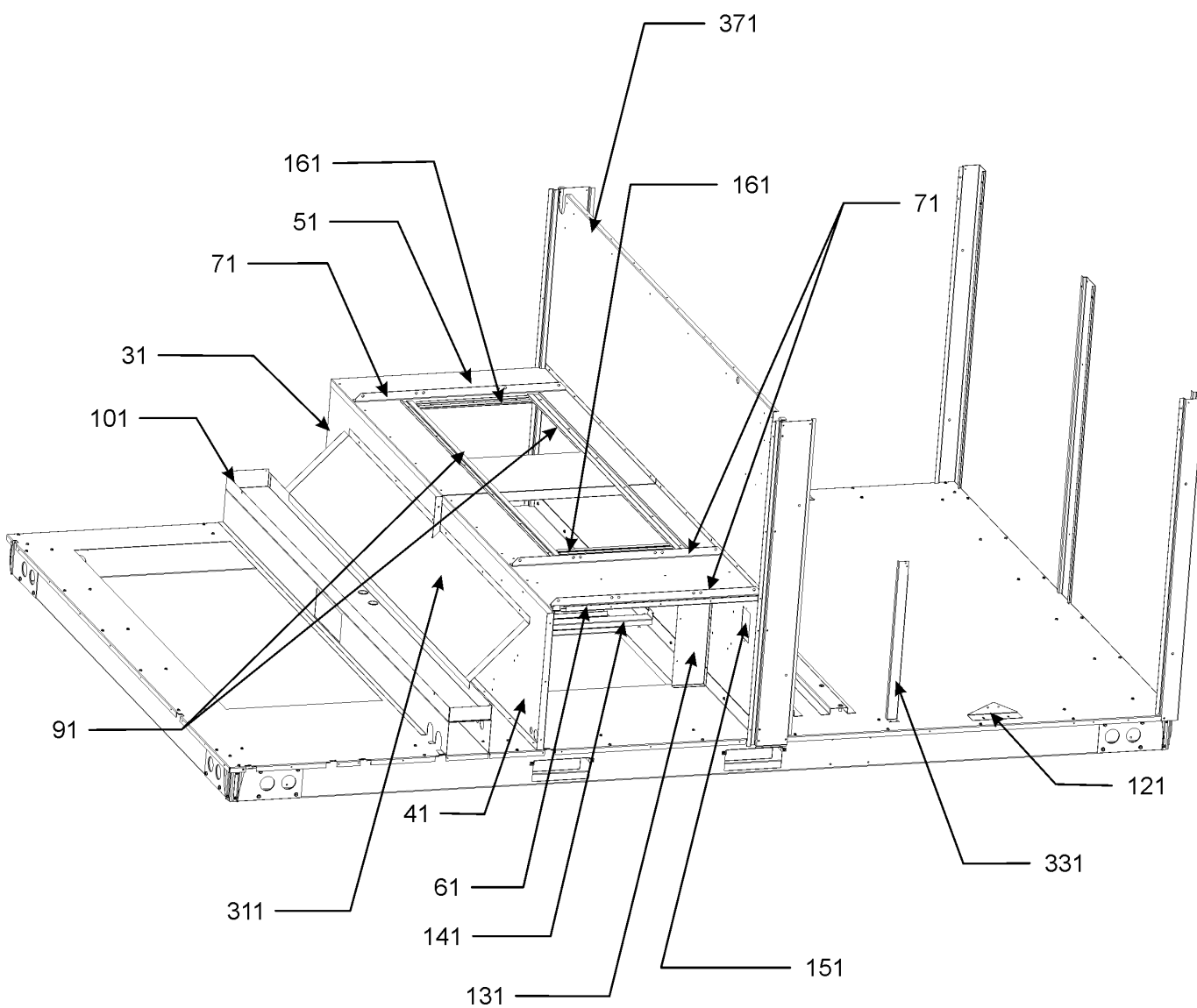
Image 1:

11	0121L01038NG	TOP-FAN,CONTROL SIDE
21	0121L01039NG	TOP-FAN, CENTER
31	0121L01040NG	TOP-FAN, EVAP SIDE
41	0152G00003	FAN GRILLE (QTY 3)
51	17788000083F	PVC CONDUIT 8.25" (QTY 3)
61	0161L00000	VENTURI RING 22" (QTY 3)
71	10625733	FAN BLADE 22" ALUM CCW (QTY 3)
81	0163M00006P	ACORN NUT 5/16 HEX BLACK (QTY 12)
101	0163M00004	SCREW #10X3/4", BLACK (QTY 24)
131	0131M00430	COND MOTOR 1/3 HP, 1 SP, 6 PL (M1, M2, M3, M10)
131	B13400249	COND MOTOR 1/3 HP, 460V (M6)
131	0131M00179	COND MOTOR 1/3 HP, 6 PL, 575V (M8)
131	0131M00500	COND MOTOR 1/3 HP, OD, LAK (M9)
131	0131M00433	COND MOTOR 460/60 1/3 HP (M4, M5, M7, M11)
211	0121L00693NG	TOP-CONTROL SIDE
221	0121L00694NG	TOP PANEL ASSY

Expanded Model Nomenclature

M1 - DCC240XXX3BHXXAA
M2 - DCC240XXX3BXXQAA
M3 - DCC240XXX3BXXXAA
M4 - DCC240XXX4BHXXAB
M5 - DCC240XXX4BXXAAB
M6 - DCC240XXX4BXXXAA
M7 - DCC240XXX4BXXXAB
M8 - DCC240XXX7BXXXAA
M9 - DCC240XXX7BXXXAB
M10 - DCC2400313BAXCAA
M11 - DCC2400604BXXBAB

Partition Assembly



Partition Assembly

Ref. Part No: No:	Description:	Ref. Part No: No:	Description:
-------------------	--------------	-------------------	--------------

Image 1:

31	0121L01163	DECK SIDE, DUCT END
41	0121L01162	DECK SIDE, HT END
51	0121L01160	BLOWER DECK, EVAP SIDE
61	0121L01161	BLOWER DECK, MOTOR SIDE
71	0121L00714	MOTOR MOUNT ANGLE (QTY 3)
91	0121L00478	BLOWER DECK RAIL (QTY 2)
101	0270L00612DG	WELDMENT-DRAIN PAN
121	0121L00913	BRACKET-COND/BASEPAN (QTY 2)
131	0121L00591	ELECTRIC HEAT MOUNTING PLATE
141	0121L00592	ELECTRIC HEAT SUPPORT
151	0121L00593	FLUE HOLE COVER
161	0121L00481	BLOWER RAIL (QTY 2)
311	0121L01158	SHIELD-BLOWOFF
331	0121L00901	BRACE-COND COILS (QTY 2)
371	0121L00825	PARTITION PANEL

Expanded Model Nomenclature

M1 - DCC240XXX3BHXXAA
M2 - DCC240XXX3BXXQAA
M3 - DCC240XXX3BXXXAA
M4 - DCC240XXX4BHXXAB
M5 - DCC240XXX4BXXAAB
M6 - DCC240XXX4BXXXAA
M7 - DCC240XXX4BXXXAB
M8 - DCC240XXX7BXXXAA
M9 - DCC240XXX7BXXXAB
M10 - DCC2400313BAXCAA
M11 - DCC2400604BXXBAB

Basepan / Compressor / Tubing Assembly

Image 1

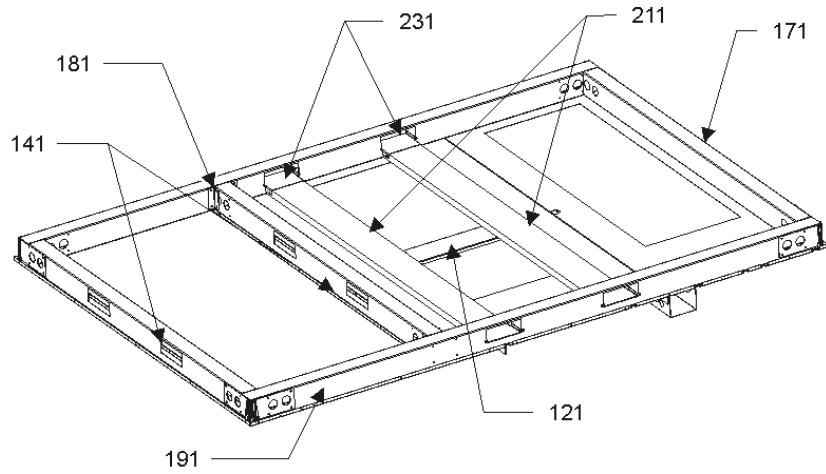
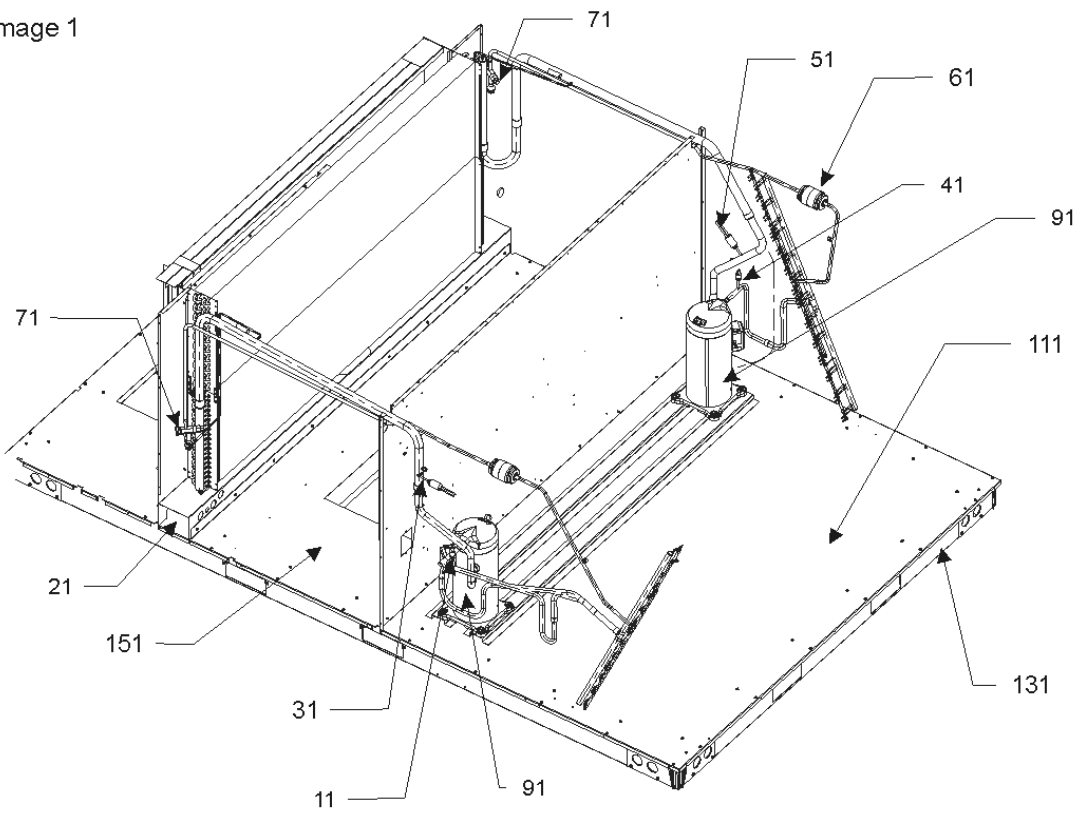


Image 2

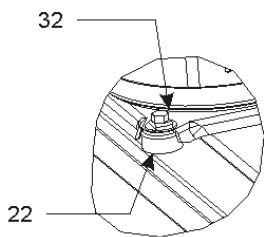
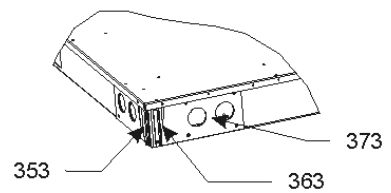


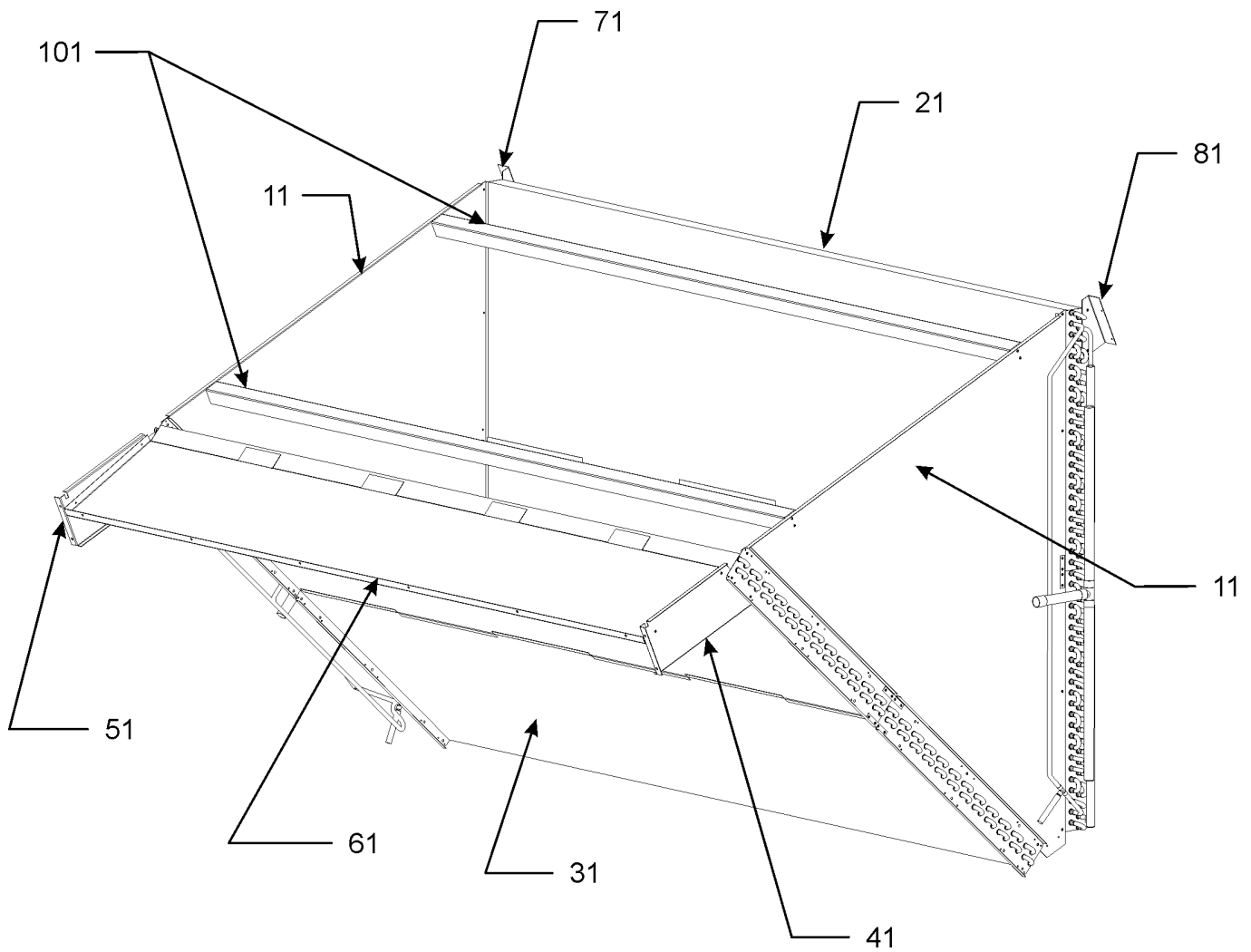
Image 3



Basepan / Compressor / Tubing Assembly

Ref. Part No: No:	Description:	Ref. Part No: No:	Description:
Image 1:		Expanded Model Nomenclature	
11	0130M00074	HIGH PRESSURE SWITCH	M1 - DCC240XXX3BHXXAA
21	0270L00189	BASEPAN WELDMENT, RETURN SIDE	M2 - DCC240XXX3BXXQAA
31	0130M00087	CUT-OUT SWITCH, LOW PRESSURE	M3 - DCC240XXX3BXXXAA
41	0130M00074	CUT-OUT SWITCH, HIGH PRESSURE	M4 - DCC240XXX4BHXXAB
51	0130M00087	LOW PRESSURE SWITCH	M5 - DCC240XXX4BXXAAB
61	0151M00012	BI-FLOW FILTER DRIER	M6 - DCC240XXX4BXXXAA
71	0151L00011	VALVE, TXV R-410A (QTY 8)	M7 - DCC240XXX4BXXXAB
91	ZP120KCETFE155	COMPRESSOR 121,000, 575/60/3 (M8, M9)	M8 - DCC240XXX7BXXXAA
91	ZP120KCETF5250	COMPRESSOR 123,000, 200/230/60/3 (M1, M2, M3, M10)	M9 - DCC240XXX7BXXXAB
91	ZP120KCETFD155	COMPRESSOR 123,000, 460/60/3 (M4, M5, M6, M7, M11)	M10 - DCC2400313BAXCAA
111	0270L00336	BASEPAN WELD, OUTDOOR	M11 - DCC2400604BXXBAB
121	0121L00605	FORK BOARD PLATE	
131	0121L00720	SIDE RAIL	
141	0121L00721	BASE RAIL, CONDENSER END (QTY 2)	
151	0121L00948	BASE PAN-SUPPLY	
171	0121L00722	BASE RAIL, ACCESSORY END	
181	0121L00625	COMPRESSOR RAIL BRACKET (QTY 4)	
191	0121L00719	CONTROL SIDE BASE RAIL	
211	0141L00029	FORK BOARD (QTY 2)	
231	0121L00724	FORK BOARD BRACKET (QTY 4)	
NS	0163M00175	CAP WITH O-RING (QTY 4)	
NS	0159L00044	COMPRESSOR SCROLL HARNESS (M4, M5, M6, M7, M8, M9, M11)	
NS	0159L00045	COMPRESSOR SCROLL HARNESS (M4, M5, M6, M7, M8, M9, M11)	
NS	0159L00048	COMPRESSOR SCROLL HARNESS (M1, M2, M3, M10)	
NS	0159L00049	COMPRESSOR SCROLL HARNESS (M1, M2, M3, M10)	
NS	0130L00020	CRANK CASE HEATER, 90W, 240V (M1, M2, M3, M10)	
NS	0130L00021	CRANK CASE HEATER, 90W, 480V (M4, M5, M6, M7, M11)	
NS	0130L00022	CRANK CASE HEATER, 90W, 575V (M8, M9)	
Image 2:			
22	0164M00018	COMPRESSOR GROMMET (QTY 8)	
32	B1393740	COMPRESSOR BOLT & SLEEVE (QTY 8)	
Image 3:			
353	0121L00616	RAIL BRACE ANGLE, RIGHT (QTY 4)	
363	0121L00617	RAIL BRACE ANGLE, LEFT (QTY 4)	
373	0121L00723	BASE RAIL CORNER BRACE (QTY 4)	

Condenser Assembly



Condenser Assembly

Ref. Part No:	No:	Description:	Ref. Part No:	No:	Description:
---------------	-----	--------------	---------------	-----	--------------

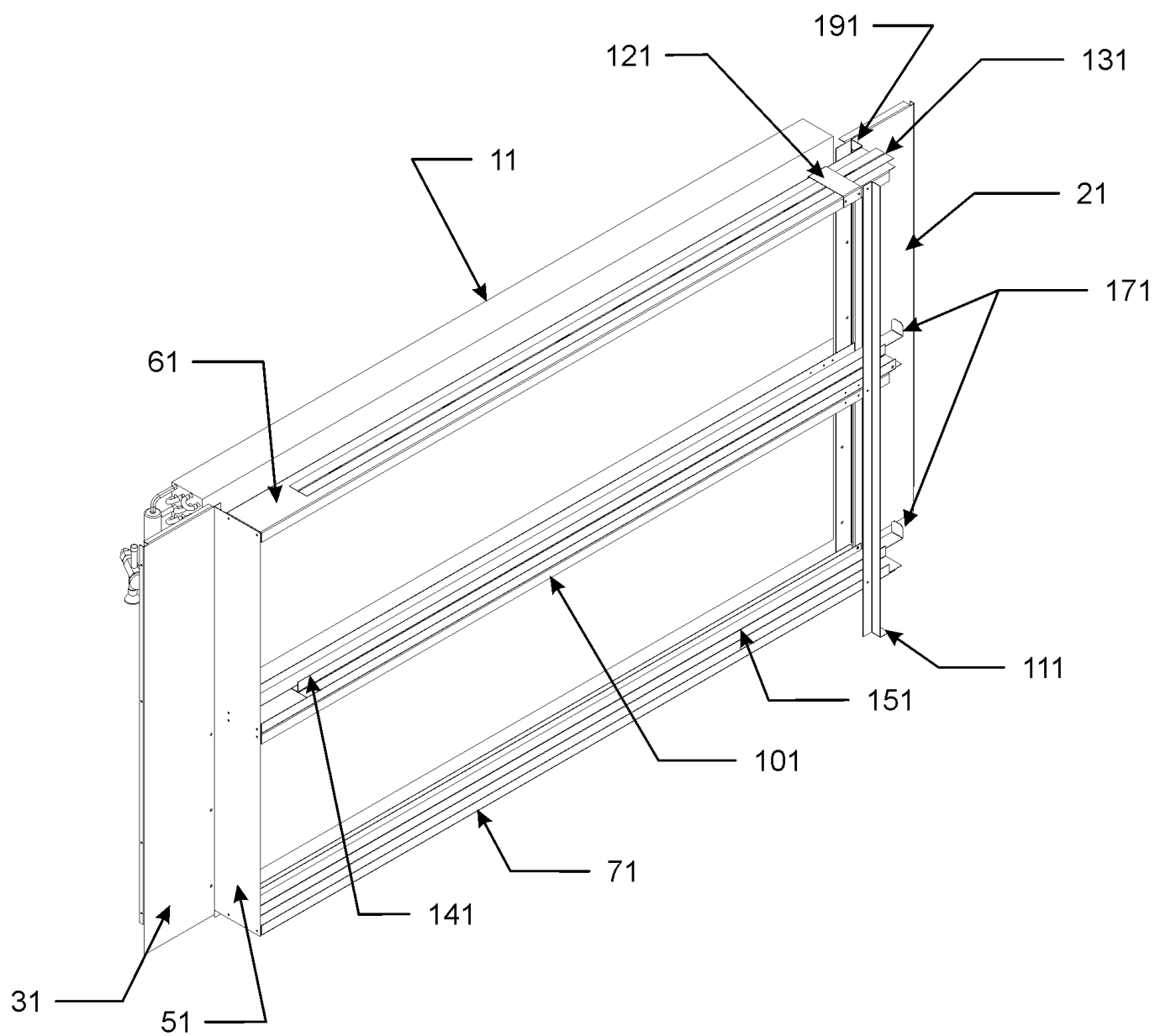
Image 1:

11	0121L00854	END COVER-CONDENSER (QTY 2)
21	0201L00151	CONDENSER COIL ASSY C1
31	0201L00152	CONDENSER COIL ASSY C2
41	0121L01154	BRACKET-CONDENSER END
51	0121L01156	BRACKET-CONDENSER END
61	0121L00572	CONDENSER BLOCKOFF, INSIDE TOP
71	0121L01153	BRACKET-COND/POST
81	0121L01155	BRACKET-COND/POST
101	0121L01037	ANGLE, TOP BRACE (QTY 2)

Expanded Model Nomenclature

- M1 - DCC240XXX3BHXXAA
- M2 - DCC240XXX3BXXQAA
- M3 - DCC240XXX3BXXXAA
- M4 - DCC240XXX4BHXXAB
- M5 - DCC240XXX4BXXAAB
- M6 - DCC240XXX4BXXXAA
- M7 - DCC240XXX4BXXXAB
- M8 - DCC240XXX7BXXXAA
- M9 - DCC240XXX7BXXXAB
- M10 - DCC2400313BAXCAA
- M11 - DCC2400604BXXBAB

Evaporator Assembly



Evaporator Assembly

Ref. Part No: No:	Description:	Ref. Part No: No:	Description:
-------------------	--------------	-------------------	--------------

Image 1:

11	0202L00047	EVAPORATOR COIL ASSY (QTY 2)
21	0121L00698	EVAPORATOR BLOCKOFF PANEL
31	0121L00848	PANEL-EVAPORATOR, SMOKE DET
51	0121L00933	ANGLE-FILTER, LEFT VERTICAL
61	0121L00629	TOP FILTER RACK
71	0121L00701	BOTTOM FILTER RACK
101	0270L00230	CENTER FILTER RACK
111	0121L00632	FILTER SUPPORT ANGLE
121	0121L00634	TOP ANGLE BRACKET
131	0270L00271	WELDMENT-TOP SLIDER
141	0270L00232	CENTER SLIDER
151	0270L00233	BOTTOM SLIDER
171	0121L00640	FILTER PULL (QTY 2)
191	0121L00702	RIGHT SIDE BLOCKOFF, FILTER RACK
NS	0121L00703	BOTTOM BLOCKOFF, FILTER RACK
NS	B1369611	FILTER 20 X 25 X 2 (QTY 6)

Expanded Model Nomenclature

M1 - DCC240XXX3BHXXAA
M2 - DCC240XXX3BXXQAA
M3 - DCC240XXX3BXXXAA
M4 - DCC240XXX4BHXXAB
M5 - DCC240XXX4BXXAAB
M6 - DCC240XXX4BXXXAA
M7 - DCC240XXX4BXXXAB
M8 - DCC240XXX7BXXXAA
M9 - DCC240XXX7BXXXAB
M10 - DCC2400313BAXCAA
M11 - DCC2400604BXXBAB

Blower Assembly

Image 1

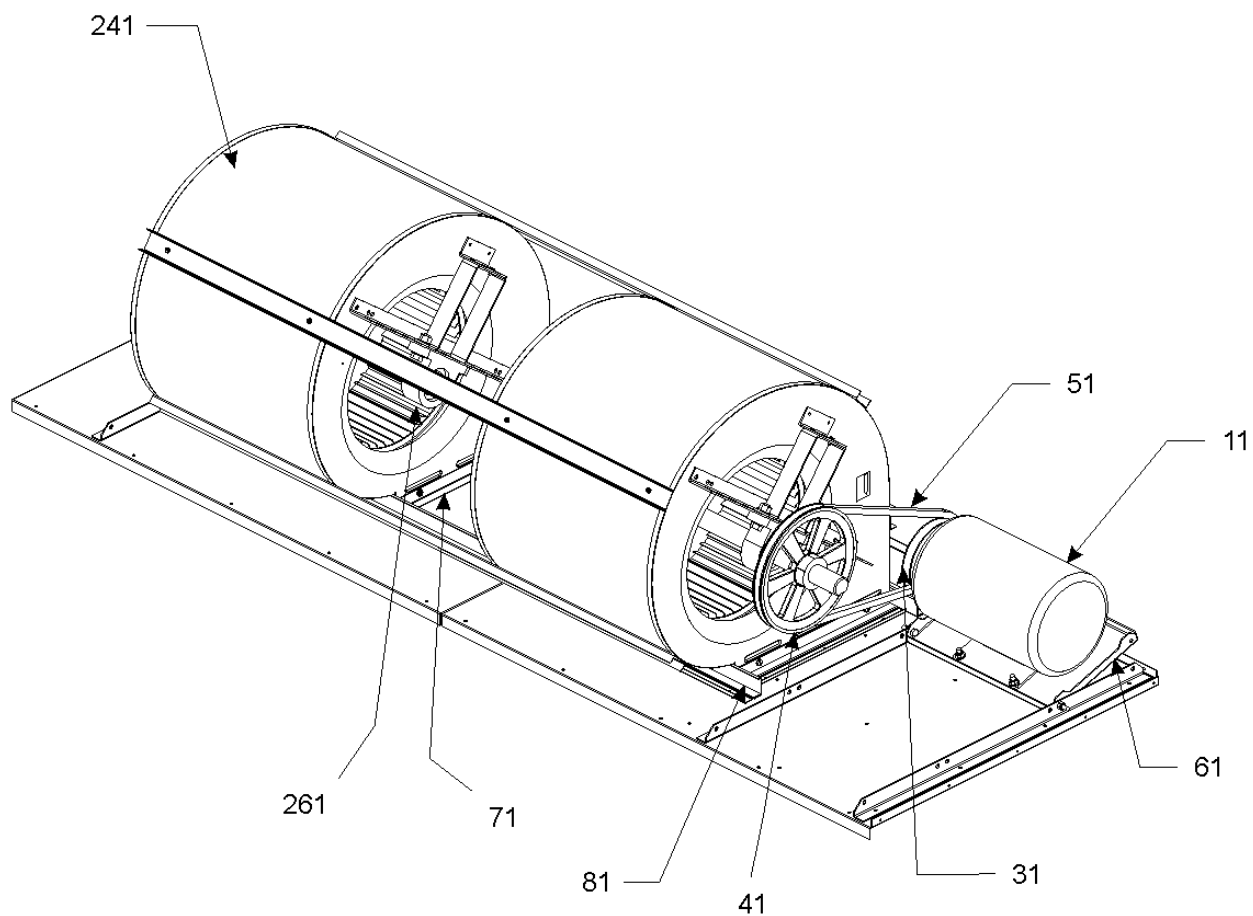
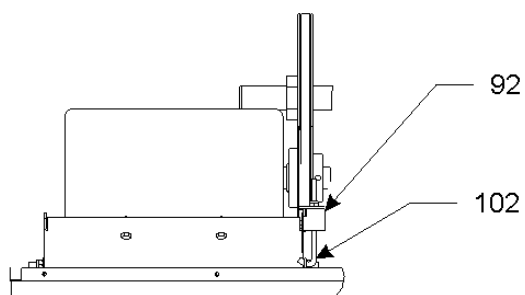


Image 2



Blower Assembly

Ref. Part No: No:	Description:	Ref. Part No: No:	Description:
-------------------	--------------	-------------------	--------------

Image 1:

11	0131M00274	COND MOTOR 5.0 HP (M1, M2, M3, M4, M5, M6, M7, M10, M11)
11	0131L00007	MOTOR-5 HP BELT DRIVE 575V 3P (M8, M9)
31	0163L00037	VARIABLE PITCH SHEAVE
41	0163L00036	FIXED SHEAVE
51	0164L00005	NOTCHED FAN BELT BX46
61	0121L00555	MOTOR BASE PLATE
71	0121L00482	BLOWER SIDE ANGLE (QTY 4)
81	0121L00479	BLOWER RAIL (QTY 2)
241	0271L00027	150-15R BD 1.44 TWIN BLOWER
261	04-02197	BLOWER BEARING & FRAME ASSY

Image 2:

92	0121L00557	MOTOR ADJUST BRACKET
102	0163L00034	HOOKED BOLT

Expanded Model Nomenclature

- M1 - DCC240XXX3BHXXAA
- M2 - DCC240XXX3BXXQAA
- M3 - DCC240XXX3BXXXAA
- M4 - DCC240XXX4BHXXAB
- M5 - DCC240XXX4BXXAAB
- M6 - DCC240XXX4BXXXAA
- M7 - DCC240XXX4BXXXAB
- M8 - DCC240XXX7BXXXAA
- M9 - DCC240XXX7BXXXAB
- M10 - DCC2400313BAXCAA
- M11 - DCC2400604BXXBAB

Control Assembly

Image 1

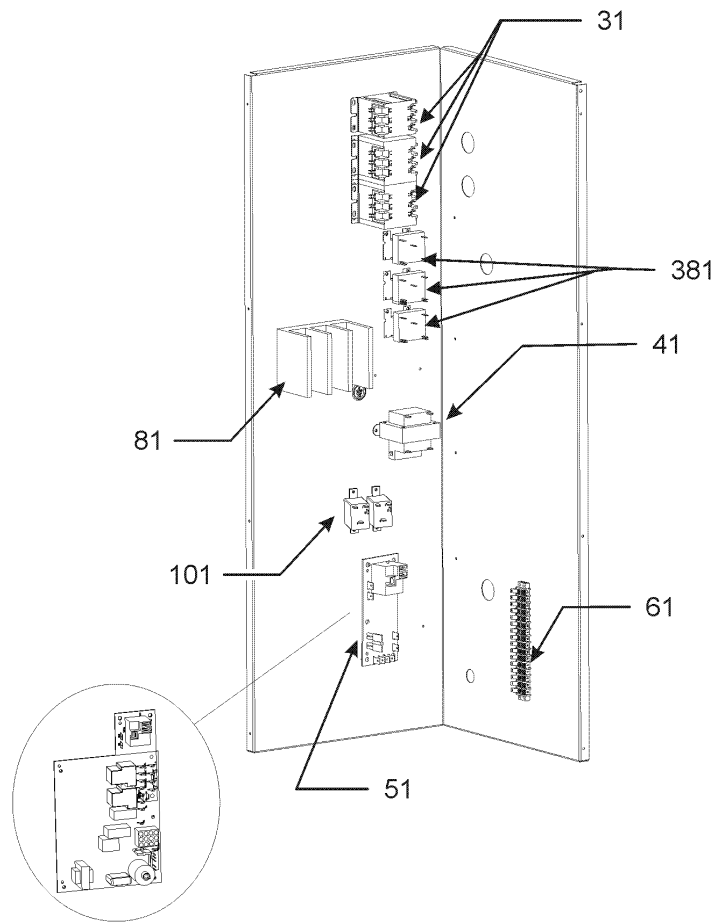
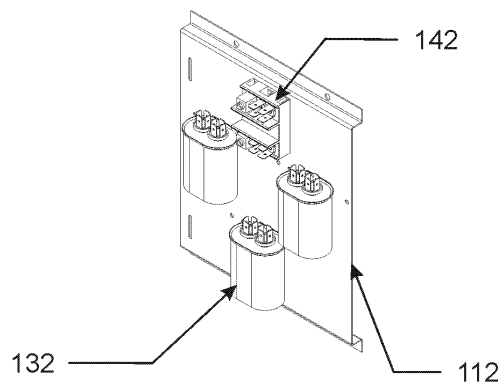


Image 2



Control Assembly

Ref. Part No:	Part No:	Description:	Ref. Part No:	Part No:	Description:
---------------	----------	--------------	---------------	----------	--------------

Image 1:

31	CONT3P050024V	CONT, 3 POLE, 50 AMP, 24 VAC (M1, M2, M3, M10)
31	CONT3P030024V	CONTACTOR 30 AMP, 3P, 24V
41	0130M00144	TRANSFORMER (M1, M2, M3, M10)
41	0130M00145	TRANSFORMER 480V to 24V, 75VA (M4, M5, M6, M7, M11)
41	0130M00148	TRANSFORMER 575V to 24V, 75VA (M8, M9)
51	PCBFM103	ELECTRONIC BLOWER TIME DELAY
61	0130M00038	TERMINAL BOARD
81	0130M00042	BLOCK, DISTRIB. 7.5-25 TON
101	B1370751	24V RELAY (QTY 2)
381	0130M00025	24V RELAY (QTY 2)
NS	0259L00118	CONDENSER FAN HARNESS, LONG
NS	0159L00052	HARNESS JUMPER LONG
NS	0259L00106	HARNESS, CONTROL AC
NS	0259L00107	HARNESS, E-HEAT
NS	0159L00051	HARNESS, JUMPER SHORT
NS	0259L00101	MOTOR HARNESS-BELT DRIVE

Image 2:

112	0121L00585	CAPACITOR MOUNTING PLATE
132	CAP050000440LA	CAPACITOR (M9)
132	CAP100000370LA	CAPACITOR 10/370V (M1, M2, M3, M4, M5, M7, M10, M11)
132	CAP050000370LA	CAPACITOR 5/370V (M6, M8)
142	B1368250	TERMINAL BLOCK (HIGH VOLTAGE)
NS	0121L00586	CAPACITOR COVER
NS	20520901	CAPACITOR STRAP (QTY 3)
NS	0259L00117	CONDENSER FAN HARNESS, MEDIUM
NS	0259L00116	CONDENSER FAN HARNESS, SHORT

Expanded Model Nomenclature

M1 - DCC240XXX3BHXXAA
M2 - DCC240XXX3BXXQAA
M3 - DCC240XXX3BXXXAA
M4 - DCC240XXX4BHXXAB
M5 - DCC240XXX4BXXAAB
M6 - DCC240XXX4BXXXAA
M7 - DCC240XXX4BXXXAB
M8 - DCC240XXX7BXXXAA
M9 - DCC240XXX7BXXXAB
M10 - DCC2400313BAXCAA
M11 - DCC2400604BXXBAB

Accessory Parts List

Accessory Parts

Ref. Part No:	Description:	Ref. Part No:	Description:
---------------	--------------	---------------	--------------

Image 1:

NS 0130M00065	CIRCUIT BREAKER, CONVENIENCE OUTLET (M2, M11)
NS 0270L00559	CONVENIENCE OUTLET ASSEMBLY (M5)
NS 0270L00563	CONVENIENCE OUTLET ASSEMBLY (M2, M11)
NS DNE180240BFI	D'FLOW ECON-DAIKIN,15-20 TON (M10)
NS DSC200C50ND01FI	DISCONNECT MODULE ASSY (M4)
NS DSC250C50ND01FI	DISCONNECT MODULE ASSY (M1)
NS EHK3-31	ELECTRIC HEATER KIT (M10)
NS EHK4-60	ELECTRIC HEATER KIT (M11)
NS LAKT180240FIAC	LOW AMBIENT KIT-15-20 TON (M2, M10)
NS SDRKT01FI15T20	SMOKE DETECTOR ASSEMBLY (M2)
NS 0130M00061	TRANSFORMER, CONVENIENCE OUTLET (M2, M11)

Expanded Model Nomenclature

M1 - DCC240XXX3BHXXAA
M2 - DCC240XXX3BXXQAA
M3 - DCC240XXX3BXXXAA
M4 - DCC240XXX4BHXXAB
M5 - DCC240XXX4BXXAAB
M6 - DCC240XXX4BXXXAA
M7 - DCC240XXX4BXXXAB
M8 - DCC240XXX7BXXXAA
M9 - DCC240XXX7BXXXAB
M10 - DCC2400313BAXCAA
M11 - DCC2400604BXXBAB