



**Base Efficiency Heat Pump
Belt-Drive Packaged Rooftop Unit
DBH Commercial
3-5 Nominal Tons
14 SEER / 11.5 EER**



*Complete warranty details available from your local distributor or manufacturer's representative or at www.daikincomfort.com or www.daikinac.com



Our Perfect Package:

Harnessing energy-efficient performance, proven technology, and enhanced comfort for life.

Since becoming the first company in Japan to manufacture packaged air conditioning systems, in 1951, Daikin has supported comfortable indoor living based on the strengths and technologies that have led to the growth of the company becoming one of the world's largest manufacturers of HVAC products, systems and refrigerants.

Today, as a comprehensive global manufacturer of HVAC products and systems, the Daikin brand is committed to being recognized as a truly global and excellent company capable of continually creating new value for its customers. The company plans to pursue sustainable growth and foster business operations that consistently harmonize with the goals of improving indoor comfort.

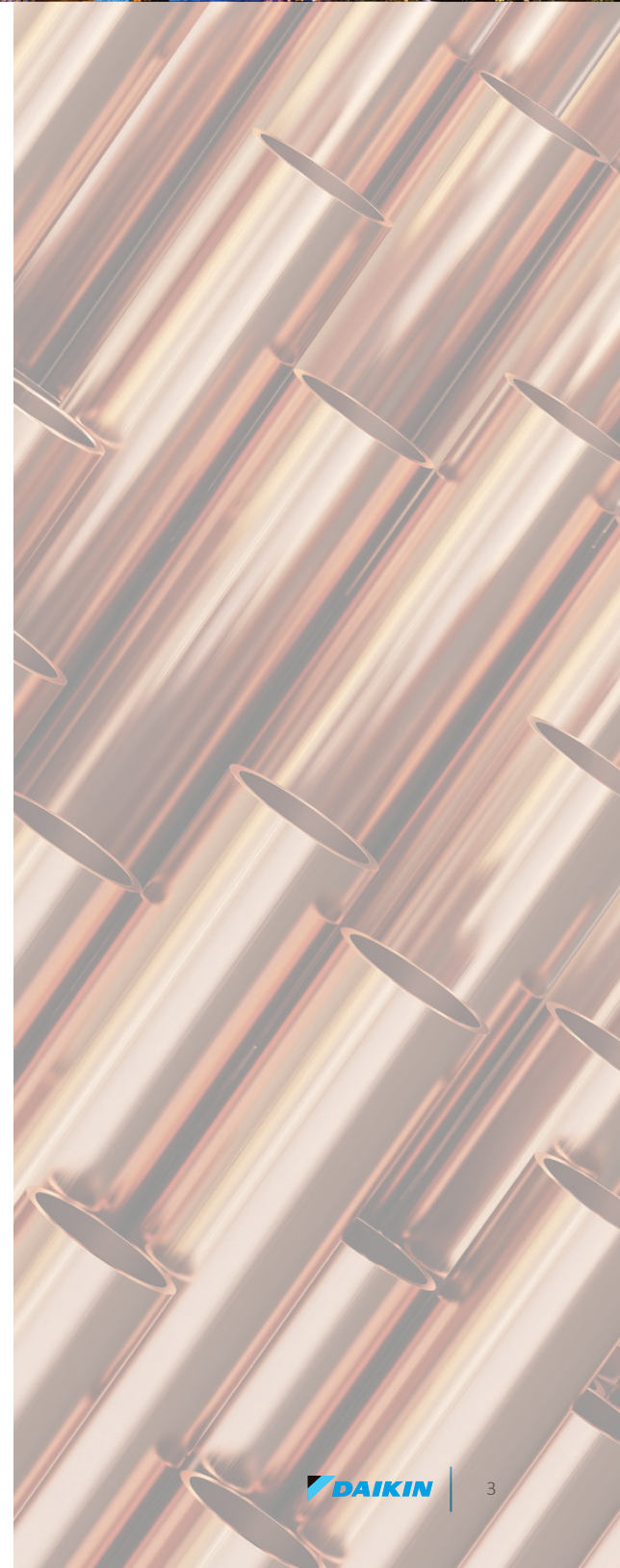
The group philosophy of the company includes:

- » Creating new value continuously for customers
- » Developing world leading energy-saving technology
- » Being a flexible and dynamic organization
- » Allowing employees to be the driving force for the success of the company
- » Fostering an atmosphere of best practices, boldness, and innovation
- » Thinking and acting globally



Contents

2	Introduction	2
4	Nomenclature	4
5	Features and Benefits	5
	Applications	8
	Serviceability	8
9	Product Specifications	9
	AHRI Ratings	11
	Sound Data	11
	Expanding Cooling Data	12
	Electric Heater Data	18
	Air Flow	19
	Electrical Data	22
	Wiring Diagrams	28
29	Dimensional Data	29
30	Electrical Connections	30
	Unit Clearances	30
	Installation	30
	Weights	31
32	Accessories	32
34	Factory Installed Options	34
34	Field Installed Options	34
35	Factory and Field Installed Options	35



Nomenclature

	D	B	H	036	3	B	XXX	A	X	A	X	X	X	X	X	X	X	X	A	*																												
	1	2	3	4,5,6	7	8	9,10,11	12	13	14	15	16	17	18	19	20	21	22	23	24																												
Brand	D Daikin																																															
Configuration	B New Base Efficiency																																															
Application	C Cooling G Gas Heat H Heat Pump																																															
Nominal Cooling Capacity	036 3 Tons 048 4 Tons 060 5 Tons																																															
Voltage	3 208-230/3/60 4 460/3/60 7 575/3/60																																															
Supply Fan/Drive Type/Motor	B Belt-Drive - Standard Static C Belt-Drive - High-Static																																															
Nominal Heating Capacity	<table border="1"> <thead> <tr> <th>Gas/Electric</th> <th>A/C</th> <th>H/P</th> <th>Factory-Installed Electric Heat</th> </tr> </thead> <tbody> <tr> <td>045 45,000 BTU/h</td> <td>XXX</td> <td>No</td> <td>No Heat</td> </tr> <tr> <td>070 70,000 BTU/h</td> <td>005</td> <td>5</td> <td>5kW</td> </tr> <tr> <td>090 90,000 BTU/h</td> <td>010</td> <td>10</td> <td>10 kW</td> </tr> <tr> <td>115 115,000 BTU/h</td> <td>015</td> <td>15</td> <td>15 kW</td> </tr> <tr> <td>140 140,000 BTU/h</td> <td>018</td> <td>18</td> <td>18 kW</td> </tr> <tr> <td></td> <td>020</td> <td>20</td> <td>20 kW</td> </tr> </tbody> </table>																				Gas/Electric	A/C	H/P	Factory-Installed Electric Heat	045 45,000 BTU/h	XXX	No	No Heat	070 70,000 BTU/h	005	5	5kW	090 90,000 BTU/h	010	10	10 kW	115 115,000 BTU/h	015	15	15 kW	140 140,000 BTU/h	018	18	18 kW		020	20	20 kW
Gas/Electric	A/C	H/P	Factory-Installed Electric Heat																																													
045 45,000 BTU/h	XXX	No	No Heat																																													
070 70,000 BTU/h	005	5	5kW																																													
090 90,000 BTU/h	010	10	10 kW																																													
115 115,000 BTU/h	015	15	15 kW																																													
140 140,000 BTU/h	018	18	18 kW																																													
	020	20	20 kW																																													
<i>See product specifications for heat size(s) available for each capacity.</i>																																																
Refrigeration Systems	A Single-stage cooling modes																																															
Heat Exchanger	X No options A Standard Aluminized Exchanger S Stainless Steel Exchanger																																															
Controls	A Electromechanical controls																																															
Revision Levels	Major & Minor																																															
Power Exhaust	X No Options B Single-point power connection for Power Exhaust																																															
IAQ	X No Options																																															
Service Options	X No Option A Powered convenience outlet B Non-powered convenience outlet C Hinge Panels D Hinged Panels and Powered convenience outlet E Hinged Panels and non-powered convenience outlet																																															
Electrical	X No Options A Non-Fused Disconnect B Phase Monitor C Thru-the-base connections E Non-Fused Disconnect and Phase Monitor F Non-Fused Disconnect and Thru-the-base connections H Phase Monitor and Thru-the-base connections L Non-Fused Disconnect, Thru-the-base connections and Phase Monitor																																															
Economizer	X No Options A Ultra Low-Leak Downflow Economizer w/Enthalpy Sensor B Low-Leak Downflow Economizer w/Enthalpy Sensor G Ultra Low-Leak Downflow Economizer w/Dry Bulb Sensor H Low-Leak Downflow Economizer w/Dry Bulb Sensor																																															
Hail guard	X No Options C Hail Guard																																															
Sensors	X No Options A RA Smoke Detector B SA Smoke Detector C RA & SA Smoke Detector																																															

HP Stocking Models	
New Daikin 3-5 Ton Belt-Drive	
MODEL NUMBER	CODE STRING
DBH0363B000001S	DBH0363BXXXAXXXXXXXXXX
DBH0364B000001S	DBH0364BXXXAXXXXXXXXXX
DBH0367B000001S	DBH0367BXXXAXXXXXXXXXX
DBH0483B000001S	DBH0483BXXXAXXXXXXXXXX
DBH0484B000001S	DBH0484BXXXAXXXXXXXXXX
DBH0487B000001S	DBH0487BXXXAXXXXXXXXXX
DBH0603B000001S	DBH0603BXXXAXXXXXXXXXX
DBH0604B000001S	DBH0604BXXXAXXXXXXXXXX
DBH0607B000001S	DBH0607BXXXAXXXXXXXXXX

Features and Benefits

Daikin Packaged Rooftop Units (RTUs) are built to perform, with features and options that help provide low installation and operation costs, superior indoor air quality, efficient operation, and longevity.

Installation

Daikin Packaged units are designed with fast and easy installation in mind and are ideal for both new construction and retrofit projects. Our packaged rooftop units are built to be a direct replacement for most rooftop units on the field without the need of a curb adapter, to be able to replace the unit in a shorter time and at a lower cost (compared to the previous design).

Cabinet Construction

Daikin packaged rooftop units are made with high quality galvanized steel with a powder-paint finish to provide higher corrosion resistance.

- » Easy accessibility using our tool-less filter access.
- » The interior surface in the indoor air section is fully insulated to prevent sweating and thermal losses, using our foil face fiberglass insulation which also omits exposed filter fibers into the airstream.
- » 1" Raised flanged edges around the supply and return offer easy installation for the duct connections.

- » The full perimeter base rail is built using heavy gauge galvanized steel for a stronger structural installation, the base rails are a minimum of 3 ½" tall and include holes to allow for overhead rigging and lifting with forklifts.
- » Electrical lines and can be brought through the base of the unit or through the horizontal knockout for easy installation and accessibility on the field.

Compressor

High performance, low noise scroll compressors, adjust the speed to match the required total cooling and heating load for efficient part load control.

- » Resiliently factory-mounted on rubber grommets for vibration isolation
- » Refrigeration circuit includes both a low- and high-pressure transducer, high pressure safety switch and temperature sensors for the suction and discharge.
- » Unit is factory charged with environmentally friendly R-410A refrigerant.
- » Single-stage scroll compressors.
- » Compressor location outside the condenser section to avoid air bypass.
- » Internal overload protection included with compressor.

Supply Fan

Indoor forward curb fans paired with belt-drive motors provide an easy in the field belt and pulley adjustment for airflow control.

- » Slide out forward curb fan for easy maintenance and replacement.
- » High-static drive options for application with high airflow/static requirements.
- » Each fan assembly is dynamically trim balanced at the factory before shipment for quick start-up and efficient operation.
- » Motor with thermal overload and phase failure protection is provided for motor long lasting operation.



Coils

All units use large face area outdoor coils. These coils are constructed with seamless copper tubes, mechanically bonded into aluminum plate-type fins with full drawn collars to completely cover the tubes for high operating efficiencies.

The indoor coil section is installed in a draw through configuration to provide better dehumidification.

- » Coils are factory pressure tested to ensure pressure and leak integrity.
- » High- and low-pressure switches to be factory installed as fittings instead of brazed for easy removal and replacement.
- » Copper tube / aluminum fin coils on condenser and evaporator
- » 5mm Smart Coil Technology on all condenser coils for improved performance and reduced refrigerant load.

Heat Pump Heating

Evaporator coil, condenser coil, compressors and refrigerant circuit are designed for heat pump operation.

- » The refrigerant circuit contains a 4-way reversing valve to provide heat.
- » The outdoor coil includes a thermal expansion valve to control the refrigerant flow during heat pump operation.
- » Hybrid heating option is provided for auxiliary heating.
- » The refrigerant system includes a pump-down cycle for durable operation.

Controls and Wiring

Packaged rooftop units come equipped with a well-organized, large, easy to use weatherproof internal control box with easy access, for a better user experience.

- » Units are factory-wired with labeled color-coded wires and complete 24-volt Electromechanical controls package.
- » Units include single-point power entry as standard and also available with electric heat kits if selected.
- » Terminal blocks are provided as standard for easy installation and field power wiring.

Filtration

Unit provides a draw-through filter section as standard for better air quality and long lasting component maintenance.

- » Filters installed on the units are standard off the shelf sizes for easy replacement.
- » One or two size filter per unit for low maintenance cost and easy replacement.
- » Easy and fast filter service access.

Heating Section

Wide ranging of electric heat selections effectively handle most comfort heating demand from morning warm-up control to full heat.

Electric Heat

ETL approved electric heat is factory assembled, installed and tested.

- » Heating control is fully integrated into the unit's control system for quick start-up and reliable control.
- » Durable low watt density, nickel chromium elements provide longer life (compared to units without).
- » Fuses are provided in each branch circuit to a maximum of 48 Amps per NEC requirements.
- » Single-point power connection reduces installation cost.
- » For operational safeties electric heat includes automatic reset, and high temperature limit safety protection and an airflow safety switch to prevent electric heat operation in the event of no airflow.

Electrical

Units are completely wired and tested at the factory to provide faster commissioning and start-up.

- » Wiring complies with NEC requirements and all applicable UL standards.
- » For ease of use, wiring and electrical components are number coded and labeled according to the electrical diagram.
- » A 120 V GFI convenience receptacle requiring independent power supply for the receptacle is optional.
- » An optional unit powered 20 amp 115 V convenience receptacle, complete with factory mounted transformer, disconnect switch, and primary and secondary overload protection, eliminates the need to pull a separate 115 V power source.
- » Supply air fan, compressor, and condenser fan motor branch circuits have individual short circuit protection. Unit includes knockouts in the bottom of the main control panels for field wiring entrance.
- » A single-point power connection with power block is standard and a terminal board is provided for connecting low voltage control wiring.
- » For better serviceability an optional non-fused disconnect switch can be installed inside the control panel and operated by an externally mounted handle to disconnect the electrical power at the unit



Applications

Daikin Rooftop units are intended for comfort cooling applications in normal heating, ventilating, and air conditioning. Consult your local Daikin sales representative for applications involving operations at high ambient temperatures, high altitudes, non-cataloged voltages, or for job-specific unit selections that fall outside of the range of the catalog tables.

For proper operation, units should be rigged in accordance with instructions stated on the installation manual. Fire dampers, if required, must be installed in the ductwork according to local and/or state codes. No space is allowed for these dampers in the unit.

Follow factory check, test and start procedures explicitly to achieve satisfactory start-up and operation.

Most rooftop applications take advantage of the significant energy savings provided with economizer operation. When an economizer system is used, mechanical refrigeration is typically not required below an ambient temperature of 50°F.

Serviceability

Daikin packaged rooftop units are built with serviceability in mind, designed to make future maintenance and service on the unit easy and accessible..

- » Our packaged rooftop units offer a slide out blower to facilitate the access and removal of the fan.
- » Filter panels on the small chassis line offer tool-less access for easy maintenance.
- » Independent compressor outside of the air bypass to eliminate component blockage and provide easy access.
- » Labeled field connections, color coded and continuously marked wire to identify point-to-point component connections.
- » All 3 - 5 ton units are designed for convertible airflow orientation to serve downflow or horizontal applications. Every unit ships prepared to convert to horizontal orientation in the field if required.
- » Condenser clean out from inside-out.
- » Easy access to gas valves and control panel.



Model	DBH0363B000001S	DBH0364B000001S	DBH0367B000001S
COOLING CAPACITY			
Total BTU/h	35,000	35,000	35,000
SEER / EER	14.0/11.5	14.0/11.5	14.0/11.5
HEATING CAPACITY			
BTU/h (47°F)	34,200	34,200	34,200
HSPF	8	8	8
COP	2.34	2.34	2.34
EVAPORATOR MOTOR / COIL			
Motor Type	Belt-Drive	Belt-Drive	Belt-Drive
External Static Pressure (ESP)	Standard	Standard	Standard
Wheel Dia. X Width	12x11	12x11	12x11
Indoor Nominal CFM	1170	1170	1170
RPM	1725	1725	1725
Indoor Horsepower	1.00	1.00	1.00
Filter Size (in)	14 X 20 X 2 (4)	14 X 20 X 2 (4)	14 X 20 X 2 (4)
Drain Size (NPT)	¾	¾	¾
R-410A Refrigerant Charge (oz.)	175	175	175
Evaporator Coil Face Area (ft²)	7.3	7.3	7.3
Rows Deep/ Fins per Inch	⁴ / ₁₆	⁴ / ₁₆	⁴ / ₁₆
BELT-DRIVE EVAP FAN DATA			
Motor Sheave	1VL34 X 5/8	1VL34 X 5/8	1VL34 X 5/8
Blower Sheave	AK61H	AK61H	AK61H
Belt	AX51	AX51	AX51
CONDENSER FAN/COIL			
Quantity of Condenser Fan Motors	1	1	1
RPM (High/Low stage)	810	810	810
Outdoor Horsepower	0.17	0.17	0.17
Fan Diameter/ # Fan Blades	22 / 3	22 / 3	22 / 3
Face Area (ft²)	12.7	12.7	12.7
Rows Deep / Fins per Inch	² / ₁₆	² / ₁₆	² / ₁₆
COMPRESSOR (ALL SINGLE-STAGE)			
Quantity / Type / Stages	1 / Scroll / 1	1 / Scroll / 1	1 / Scroll / 1
Compressor RLA / LRA	10.45 / 73	5.8 / 38	3.78 / 36.5
ELECTRICAL DATA			
Voltage-Phase-Frequency	208/230-3-60	460-3-60	575-3-60
Indoor Blower FLA	3.4	1.7	2.3
Max External Static (In. W.C.)	0.7	0.7	0.7
Outdoor Fan FLA	0.95	0.48	0.39
Min. Circuit Ampacity ¹	17.4/17.4	9.39	7.42
Max. Overcurrent Protection (A) ²	25/25	15	15
Power Supply Conduit Hole Dia. (in)	1.125	1.125	1.125
Low-Voltage Conduit Hole Dia. (in)	0.5	0.5	0.5
OPERATING WEIGHT (LBS.)			
Operating Weight (lbs)	605	610	610
SHIPPING WEIGHT (LBS.)			
Ship Weight (lbs)	651	656	656

¹ Wire size should be determined in accordance with National Electrical Codes. Extensive wire runs will require larger wire sizes.

² May use fuses or HACR-type circuit breakers of the same size as noted.

Note: Always check the S&R plate for electrical data on the unit being installed.

Model	DBH0483B000001S	DBH0484B000001S	DBH0487B000001S
COOLING CAPACITY			
Total BTU/h	46,000	46,000	46,000
SEER / EER	14.0/11.5	14.0/11.5	14.0/11.5
HEATING CAPACITY			
BTU/h (47°F)	45,500	45,500	45,500
HSPF	8	8	8
COP	2.34	2.34	2.34
EVAPORATOR MOTOR / COIL			
Motor Type	Belt-Drive	Belt-Drive	Belt-Drive
External Static Pressure (ESP)	Standard	Standard	Standard
Wheel Dia. X Width	12x11	12x11	12x11
Indoor Nominal CFM	1460	1460	1460
RPM	1725	1725	1725
Indoor Horsepower	1.00	1.00	1.00
Filter Size (in)	14 X 20 X 2 (4)	14 X 20 X 2 (4)	14 X 20 X 2 (4)
Drain Size (NPT)	¾	¾	¾
R-410A Refrigerant Charge (oz.)	195	195	195
Evaporator Coil Face Area (ft²)	7.3	7.3	7.3
Rows Deep / Fins per Inch	⁴/₁₆	⁴/₁₆	⁴/₁₆
BELT-DRIVE EVAP FAN DATA			
Motor Sheave	1VL40 X 5/8	1VL40 X 5/8	1VL40 X 5/8
Blower Sheave	AK66H	AK66H	AK66H
Belt	AX52	AX52	AX52
CONDENSER FAN/COIL			
Quantity of Condenser Fan Motors	1	1	1
RPM (High/Low stage)	1075	1075	1075
Outdoor Horsepower	0.25	0.25	0.25
Fan Diameter / # Fan Blades	22 / 4	22 / 4	22 / 4
Face Area (ft²)	17.3	17.3	17.3
Rows Deep / Fins per Inch	²/₁₆	²/₁₆	²/₁₆
COMPRESSOR (ALL SINGLE-STAGE)			
Quantity / Type / Stages	1 / Scroll / 1	1 / Scroll / 1	1 / Scroll / 1
Compressor RLA / LRA	13.14 / 83.1	6.1 / 41	4.36 / 33
ELECTRICAL DATA			
Voltage-Phase-Frequency	208/230-3-60	460-3-60	575-3-60
Indoor Blower FLA	3.4	1.7	2.3
Max External Static (In. W.C.)	0.7	0.7	0.7
Outdoor Fan FLA	1.4	0.7	0.55
Min. Circuit Ampacity¹	21.2/21.2	10	8.3
Max. Overcurrent Protection (A)²	30/30	15	15
Power Supply Conduit Hole Dia. (in)	1.125	1.125	1.125
Low-Voltage Conduit Hole Dia. (in)	0.5	0.5	0.5
OPERATING WEIGHT (LBS.)			
Operating Weight (lbs)	640	642	642
SHIPPING WEIGHT (LBS.)			
Ship Weight (lbs)	686	688	688

¹ Wire size should be determined in accordance with National Electrical Codes. Extensive wire runs will require larger wire sizes.

² May use fuses or HACR-type circuit breakers of the same size as noted.

Note: Always check the S&R plate for electrical data on the unit being installed.

Model	DBH0603B000001S	DBH0604B000001S	DBH0607B000001S
COOLING CAPACITY			
Total BTU/h	56,500	56,500	56,500
SEER / EER	14.0/11.5	14.0/11.5	14.0/11.5
HEATING CAPACITY			
BTU/h (47°F)	56,500	56,500	56,500
HSPF	8	8	8
COP	2.34	2.34	2.34
EVAPORATOR MOTOR / COIL			
Motor Type	Belt-Drive	Belt-Drive	Belt-Drive
External Static Pressure (ESP)	Standard	Standard	Standard
Wheel Dia. X Width	12x11	12x11	12x11
Indoor Nominal CFM	1460	1790	1790
RPM	1725	1760	1760
Indoor Horsepower	1.00	1.00	1.00
Filter Size (in)	14 X 20 X 2 (2) 20 X 20 X 2 (2)	14 X 20 X 2 (2) 20 X 20 X 2 (2)	14 X 20 X 2 (2) 20 X 20 X 2 (2)
Drain Size (NPT)	¾	¾	¾
R-410A Refrigerant Charge (oz.)	208	208	208
Evaporator Coil Face Area (ft²)	9.2	9.2	9.2
Rows Deep/ Fins per Inch	4/16	4/16	4/16
BELT-DRIVE EVAP FAN DATA			
Motor Sheave	1VL44 X 7/8	1VL44 X 7/8	1VL44 X 7/8
Blower Sheave	AK66H	AK66H	AK66H
Belt	AX52	AX52	AX52
CONDENSER FAN/COIL			
Quantity of Condenser Fan Motors	1	1	1
RPM (High/Low stage)	1075	1075	1075
Outdoor Horsepower	0.33	0.33	0.33
Fan Diameter/ # Fan Blades	22 / 4	22 / 4	22 / 4
Face Area (ft²)	19.0	19.0	19.0
Rows Deep / Fins per Inch	2/16	2/16	2/16
COMPRESSOR (ALL SINGLE-STAGE)			
Quantity / Type / Stages	1 / Scroll / 1	1 / Scroll / 1	1 / Scroll / 1
Compressor RLA / LRA	15.9 / 110	7.1 / 52	5.13 / 39.5
ELECTRICAL DATA			
Voltage-Phase-Frequency	208/230-3-60	460-3-60	575-3-60
Indoor Blower FLA	3.2	1.5	1.2
Max External Static (In. W.C.)	0.8	0.8	0.8
Outdoor Fan FLA	2.3	1.1	0.9
Min. Circuit Ampacity ¹	25.4/25.4	11.4	8.51
Max. Overcurrent Protection (A) ²	40/40	15	15
Power Supply Conduit Hole Dia. (in)	1.125	1.125	1.125
Low-Voltage Conduit Hole Dia. (in)	0.5	0.5	0.5
OPERATING WEIGHT (LBS.)			
Operating Weight (lbs)	686	693	693
SHIPPING WEIGHT (LBS.)			
Ship Weight (lbs)	732	739	739

¹ Wire size should be determined in accordance with National Electrical Codes. Extensive wire runs will require larger wire sizes.

² May use fuses or HACR-type circuit breakers of the same size as noted.

Note: Always check the S&R plate for electrical data on the unit being installed.

AHRI Ratings

MODEL	CAPACITY	EER	SEER
DBH036*B	35,000	11.5	14
DBH048*B	46,500	11.5	14
DBH060*B	57,000	11.5	14

Sound Data

Model	OUTDOOR SOUND (DB) AT 60 Hz								
	A-Weighted	63	125	250	500	1000	2000	4000	8000
036	75	78.5	85.4	74.4	71.8	69.1	65.8	60.9	59.2
048	73	82.5	78.1	71.6	69.5	68.0	66.1	59.5	58.6
060	76	84.4	80.5	76.2	72.9	70.9	67.4	63.8	63.1

Notes:

¹ Outdoor sound data is measured in accordance with AHRI standard 270.

² Measurements are expressed in terms of sound power. Do not compare these values to sound pressure values because sound pressure depends on specific environment factors which normally do not match individual applications. Sound power values are independent of the environment and therefore more accurate.

³ A-weighted sound ratings filter out high and very low frequencies, to better approximate the response of "average" human ear. A-weighted measurements for Daikin units are taken in accordance with AHRI standard 270.

		Outdoor Ambient Temperature																								
		65				75				85				95				105				115				
IDB	Airflow	IDWB	59	63	67	71	59	63	67	71	59	63	67	71	59	63	67	71	59	63	67	71	59	63	67	71
70	Capacity		35,270	35,773	36,836	-	34,951	35,454	36,518	-	34,021	34,524	35,588	-	32,421	32,924	33,988	-	30,466	30,969	32,033	-	28,681	29,184	30,248	-
	S/T		0.52	0.45	0.31	-	0.53	0.45	0.32	-	0.55	0.48	0.35	-	1.00	0.50	0.36	-	1.00	0.52	0.39	-	1.00	0.57	0.44	-
	Evap dT	900	22.07	20.14	16.54	-	22.02	20.09	16.49	-	22.29	20.36	16.76	-	22.00	20.07	16.47	-	21.74	19.81	16.21	-	22.95	21.02	17.42	-
	Pr Suc		124	125	128	-	131	133	136	-	138	139	143	-	144	145	148	-	149	151	154	-	156	158	161	-
	Pr Dis		259	260	262	-	300	301	303	-	343	344	346	-	389	390	392	-	439	441	442	-	493	494	496	-
	TotalPower		2,143	2,141	2,136	-	2,407	2,405	2,400	-	2,702	2,700	2,695	-	3,021	3,019	3,014	-	3,377	3,375	3,371	-	3,795	3,793	3,789	-
70	Capacity		36,076	36,579	37,643	-	35,758	36,260	37,324	-	34,828	35,331	36,394	-	33,228	33,731	34,795	-	31,273	31,776	32,839	-	29,488	29,991	31,055	-
	S/T		0.66	0.58	0.45	-	0.66	0.59	0.45	-	0.69	0.61	0.48	-	1.00	0.63	0.50	-	1.00	0.65	0.52	-	1.00	0.71	0.57	-
	Evap dT	1170	19.69	17.76	14.16	-	19.64	17.71	14.11	-	19.91	17.98	14.38	-	19.62	17.69	14.09	-	19.36	17.43	13.83	-	20.57	18.64	15.04	-
	Pr Suc		127	128	132	-	135	136	139	-	141	143	146	-	147	148	152	-	152	154	157	-	159	161	164	-
	Pr Dis		263	264	266	-	304	305	307	-	347	348	350	-	394	395	397	-	444	445	447	-	497	498	500	-
	TotalPower		2,171	2,169	2,164	-	2,435	2,433	2,428	-	2,730	2,728	2,723	-	3,049	3,047	3,042	-	3,405	3,403	3,399	-	3,823	3,821	3,817	-
70	Capacity		36,783	37,286	38,350	-	36,464	36,967	38,031	-	35,535	36,037	37,101	-	33,935	34,438	35,501	-	31,980	32,483	33,546	-	30,195	30,698	31,761	-
	S/T		0.70	0.62	0.49	-	0.70	0.63	0.49	-	1.00	0.65	0.52	-	1.00	0.67	0.54	-	1.00	0.69	0.56	-	1.00	0.74	0.61	-
	Evap dT	1350	18.50	16.57	12.97	-	18.45	16.52	12.92	-	18.72	16.79	13.19	-	18.43	16.50	12.90	-	18.17	16.24	12.64	-	19.38	17.45	13.85	-
	Pr Suc		129	131	134	-	137	139	142	-	144	145	148	-	149	151	154	-	155	156	160	-	162	163	167	-
	Pr Dis		266	267	269	-	307	308	310	-	350	351	353	-	396	397	399	-	446	447	449	-	500	501	503	-
	TotalPower		2,185	2,183	2,178	-	2,449	2,447	2,442	-	2,744	2,742	2,737	-	3,063	3,061	3,056	-	3,419	3,417	3,413	-	3,837	3,835	3,831	-
75	Capacity		35,291	35,793	36,857	38,482	34,972	35,475	36,538	38,163	34,042	34,545	35,609	37,233	32,442	32,945	34,009	35,634	30,487	30,990	32,054	33,679	28,702	29,205	30,269	31,894
	S/T		0.65	0.58	0.44	0.30	0.66	0.58	0.45	0.31	1.00	0.61	0.47	0.33	1.00	0.63	0.49	0.35	1.00	0.65	0.51	0.37	1.00	1.00	0.56	0.42
	Evap dT	900	26.32	24.39	20.78	17.05	26.26	24.33	20.73	17.00	26.53	24.60	21.00	17.27	26.24	24.31	20.71	16.98	25.98	24.06	20.45	16.72	27.19	25.26	21.66	17.93
	Pr Suc		124	125	128	134	131	133	136	141	138	139	143	148	144	145	148	154	149	151	154	159	156	158	161	166
	Pr Dis		259	260	262	266	300	301	303	308	343	344	346	351	390	391	393	397	440	441	443	447	493	494	496	501
	TotalPower		2,141	2,139	2,134	2,155	2,405	2,403	2,399	2,419	2,700	2,698	2,693	2,714	3,019	3,017	3,012	3,033	3,375	3,373	3,369	3,389	3,794	3,792	3,787	3,807
75	Capacity		36,097	36,600	37,664	39,289	35,778	36,281	37,345	38,970	34,848	35,351	36,415	38,040	33,249	33,752	34,815	36,440	31,294	31,796	32,860	34,485	29,509	30,012	31,075	32,700
	S/T		0.79	0.71	0.58	0.44	1.00	0.72	0.58	0.44	1.00	0.74	0.61	0.47	1.00	0.76	0.63	0.49	1.00	0.78	0.65	0.51	1.00	1.00	0.70	0.56
	Evap dT	1170	23.93	22.01	18.40	14.67	23.88	21.95	18.35	14.62	24.15	22.22	18.62	14.89	23.86	21.93	18.33	14.60	23.60	21.67	18.07	14.34	24.81	22.88	19.28	15.55
	Pr Suc		127	129	132	137	135	136	139	145	141	143	146	151	147	148	152	157	152	154	157	162	159	161	164	169
	Pr Dis		263	264	266	271	304	305	307	312	347	349	350	355	394	395	397	401	444	445	447	451	497	498	500	505
	TotalPower		2,169	2,167	2,163	2,183	2,433	2,431	2,427	2,447	2,728	2,726	2,721	2,742	3,047	3,045	3,040	3,061	3,403	3,401	3,397	3,417	3,822	3,820	3,815	3,835
75	Capacity		36,804	37,307	38,371	39,995	36,485	36,988	38,052	39,677	35,555	36,058	37,122	38,747	33,956	34,458	35,522	37,147	32,000	32,503	33,567	35,192	30,216	30,718	31,782	33,407
	S/T		0.82	0.75	0.61	0.47	1.00	0.75	0.62	0.48	1.00	0.78	0.65	0.50	1.00	0.80	0.66	0.52	1.00	1.00	0.69	0.54	1.00	1.00	0.74	0.60
	Evap dT	1350	22.74	20.82	17.21	13.48	22.69	20.76	17.16	13.43	22.96	21.03	17.43	13.70	22.67	20.74	17.14	13.41	22.41	20.49	16.88	13.15	23.62	21.69	18.09	14.36
	Pr Suc		130	131	134	140	137	139	142	147	144	145	149	154	149	151	154	159	155	156	160	165	162	163	167	172
	Pr Dis		266	267	269	273	307	308	310	314	350	351	353	358	396	398	399	404	447	448	449	454	500	501	503	507
	TotalPower		2,183	2,181	2,176	2,197	2,447	2,445	2,441	2,461	2,742	2,740	2,735	2,756	3,061	3,059	3,054	3,075	3,417	3,415	3,411	3,431	3,836	3,834	3,829	3,849

IDB: Entering Indoor Dry Bulb Temperature
 High and low pressures are measured at the liquid and suction access fittings.
 Design Subcooling, 16 - 19 °F @ the liquid access fitting connection ARI 95 test conditions. Design Superheat 8 - 12 °F @ the compressor suction access fitting connection.
 Shaded area reflects ACCA (TVA) conditions
 kW = Total system power
 Amps: Unit amps (comp.+ evaporator + condenser fan motors)

IDB	Airflow	ID WB	Outdoor Ambient Temperature																							
			65				75				85				95				105				115			
			59	63	67	71	59	63	67	71	59	63	67	71	59	63	67	71	59	63	67	71	59	63	67	71
80	900	Capacity	35,475	35,978	37,042	38,666	35,156	35,659	36,723	38,348	34,226	34,729	35,793	37,418	32,627	33,130	34,193	35,818	30,672	31,174	32,238	33,863	28,887	29,390	30,453	32,078
		S/T	1.00	0.70	0.57	0.42	1.00	0.71	0.57	0.43	1.00	0.73	0.60	0.46	1.00	1.00	1.00	0.62	1.00	1.00	1.00	0.64	1.00	1.00	1.00	0.69
		Evap dT	30.59	28.66	25.05	21.32	30.53	28.60	25.00	21.27	30.80	28.87	25.27	21.54	30.51	28.58	24.98	21.25	30.26	28.33	24.72	20.99	31.46	29.53	25.93	22.20
		Pr Suc	124	126	129	134	132	133	137	142	138	140	143	149	144	146	149	154	150	151	154	160	157	158	161	167
		Pr Dis	259	261	262	267	301	302	303	308	344	345	347	351	390	391	393	398	440	441	443	448	493	495	496	501
		TotalPower	2,142	2,140	2,136	2,156	2,407	2,404	2,400	2,420	2,701	2,699	2,695	2,715	3,020	3,018	3,014	3,034	3,377	3,375	3,370	3,390	3,795	3,793	3,788	3,809
		Capacity	36,281	36,784	37,848	39,473	35,963	36,466	37,529	39,154	35,033	35,536	36,600	38,224	33,433	33,936	35,000	36,625	31,478	31,981	33,045	34,670	29,693	30,196	31,260	32,885
		S/T	1.00	0.83	0.70	0.56	1.00	0.84	0.71	0.57	1.00	0.86	0.73	0.59	1.00	1.00	1.00	0.75	1.00	1.00	1.00	0.77	1.00	1.00	1.00	0.82
		Evap dT	28.20	26.28	22.67	18.94	28.15	26.22	22.62	18.89	28.42	26.49	22.89	19.16	28.13	26.20	22.60	18.87	27.87	25.95	22.34	18.61	29.08	27.15	23.55	19.82
		Pr Suc	128	129	132	138	135	137	140	145	142	143	147	152	147	149	152	157	153	155	158	163	160	161	165	170
Pr Dis	264	265	267	271	305	306	308	312	348	349	351	355	394	395	397	402	444	445	447	452	498	499	501	505		
TotalPower	2,171	2,168	2,164	2,184	2,435	2,433	2,428	2,448	2,729	2,727	2,723	2,743	3,048	3,046	3,042	3,062	3,405	3,403	3,398	3,418	3,823	3,821	3,816	3,837		
Capacity	36,988	37,491	38,555	40,180	36,670	37,173	38,236	39,861	35,740	36,243	37,306	38,931	34,140	34,643	35,707	37,331	32,185	32,688	33,752	35,376	30,400	30,903	31,967	33,592		
S/T	1.00	0.87	0.74	0.60	1.00	0.88	0.74	0.60	1.00	1.00	0.77	0.63	1.00	1.00	1.00	0.79	1.00	1.00	1.00	0.81	1.00	1.00	1.00	0.72		
Evap dT	27.01	25.09	21.48	17.75	26.96	25.03	21.43	17.70	27.23	25.30	21.70	17.97	26.94	25.01	21.41	17.68	26.68	24.76	21.15	17.42	27.89	25.96	22.36	18.63		
Pr Suc	130	132	135	140	138	139	142	148	144	146	149	154	150	152	155	160	156	157	160	166	162	164	167	172		
Pr Dis	266	267	269	274	307	309	310	315	351	352	354	358	397	398	400	404	447	448	450	455	500	502	503	508		
TotalPower	2,184	2,182	2,178	2,198	2,449	2,446	2,442	2,462	2,743	2,741	2,737	2,757	3,062	3,060	3,056	3,076	3,419	3,417	3,412	3,432	3,837	3,835	3,830	3,851		
85	900	Capacity	36,075	36,578	37,642	39,266	35,756	36,259	37,323	38,948	34,826	35,329	36,393	38,018	33,227	33,730	34,793	36,418	31,272	31,774	32,838	34,463	29,487	29,990	31,053	32,678
		S/T	1.00	0.80	0.67	0.52	1.00	0.81	0.67	0.53	1.00	1.00	0.70	0.56	1.00	1.00	1.00	0.72	1.00	1.00	1.00	0.74	1.00	1.00	1.00	0.65
		Evap dT	34.37	32.44	28.84	25.11	34.32	32.39	28.79	25.06	34.59	32.66	29.06	25.33	34.30	32.37	28.77	25.04	34.04	32.11	28.51	24.78	35.25	33.32	29.72	25.99
		Pr Suc	126	128	131	136	134	135	138	144	140	142	145	150	146	148	151	156	152	153	156	162	158	160	163	168
		Pr Dis	261	262	264	268	302	303	305	309	345	346	348	352	391	392	394	399	441	442	444	449	495	496	498	502
		TotalPower	2,148	2,145	2,141	2,161	2,412	2,410	2,405	2,425	2,706	2,704	2,700	2,720	3,025	3,023	3,019	3,039	3,382	3,380	3,375	3,396	3,800	3,798	3,793	3,814
		Capacity	36,881	37,384	38,448	40,073	36,563	37,066	38,129	39,754	35,633	36,136	37,200	38,824	34,033	34,536	35,600	37,225	32,078	32,581	33,645	35,270	30,293	30,796	31,860	33,485
		S/T	1.00	0.93	0.80	0.66	1.00	1.00	0.81	0.67	1.00	1.00	0.83	0.69	1.00	1.00	1.00	0.85	1.00	1.00	1.00	0.73	1.000	1.000	1.000	0.782
		Evap dT	31.99	30.06	26.46	22.73	31.94	30.01	26.41	22.68	32.21	30.28	26.68	22.95	31.92	29.99	26.39	22.66	31.66	29.73	26.13	22.40	32.87	30.94	27.34	23.61
		Pr Suc	129	131	134	139	137	139	142	147	144	145	148	154	149	151	154	159	155	156	160	165	162	163	166	172
Pr Dis	265	266	268	272	306	307	309	314	349	350	352	357	396	397	399	403	446	447	449	453	499	500	502	507		
TotalPower	2,176	2,173	2,169	2,189	2,440	2,438	2,433	2,453	2,734	2,732	2,728	2,748	3,053	3,051	3,047	3,067	3,410	3,408	3,403	3,424	3,828	3,826	3,822	3,842		
Capacity	37,588	38,091	39,155	40,780	37,270	37,773	38,836	40,461	36,340	36,843	37,906	39,531	34,740	35,243	36,307	37,931	32,785	33,288	34,352	35,976	31,000	31,503	32,567	34,191		
S/T	1.00	0.97	0.84	0.70	1.00	1.00	0.84	0.70	1.00	1.00	0.87	0.73	1.00	1.00	1.00	0.89	1.00	1.00	1.00	0.77	1.00	1.00	1.00	0.82		
Evap dT	30.80	28.87	25.27	21.54	30.75	28.82	25.22	21.49	31.02	29.09	25.49	21.76	30.73	28.80	25.20	21.47	30.47	28.54	24.94	21.21	31.68	29.75	26.15	22.42		
Pr Suc	132	133	137	142	140	141	144	150	146	148	151	156	152	153	157	162	157	159	162	167	164	166	169	174		
Pr Dis	268	269	271	275	309	310	312	316	352	353	355	359	398	399	401	406	448	449	451	456	502	503	505	509		
TotalPower	2,189	2,187	2,183	2,203	2,454	2,451	2,447	2,467	2,748	2,746	2,742	2,762	3,067	3,065	3,061	3,081	3,424	3,422	3,417	3,437	3,842	3,840	3,835	3,856		

kW = Total system power
 Amps: Unit amps (comp. + evaporator + condenser fan motors)
 Amperage measured at the liquid and suction access fittings.
 Design Subcooling, 16 - 19 °F @ the liquid access fitting connection ARI 95 test conditions. Design Superheat 8 - 12 °F @ the compressor suction access fitting connection.

Shaded area reflects AHRI (TVA) conditions

IDB: Entering Indoor Dry Bulb Temperature
 High and low pressures are measured at the liquid and suction access fittings.
 Design Subcooling, 16 - 19 °F @ the liquid access fitting connection ARI 95 test conditions. Design Superheat 8 - 12 °F @ the compressor suction access fitting connection.

IDB		Outdoor Ambient Temperature																																			
		65						75						85						95						105						115					
		59	63	67	71	59	63	67	71	59	63	67	71	59	63	67	71	59	63	67	71	59	63	67	71	59	63	67	71								
		Entering Indoor Wet Bulb Temperature																																			
Capacity		46,569	47,230	48,628	-	46,150	46,811	48,209	-	44,928	45,589	46,987	-	42,826	43,487	44,885	-	40,256	40,917	42,315	-	37,910	38,571	39,969	-												
S/T		0.56	0.49	0.35	-	0.57	0.49	0.36	-	0.59	0.52	0.39	-	0.61	0.54	0.40	-	1.00	0.56	0.43	-	1.00	0.61	0.48	-												
Evap dT		21.44	19.51	15.90	-	21.38	19.45	15.85	-	21.65	19.72	16.12	-	21.36	19.43	15.83	-	21.11	19.18	15.57	-	22.31	20.38	16.78	-												
Pr Suc		122	124	127	-	130	131	134	-	136	138	141	-	142	143	147	-	147	149	152	-	154	156	159	-												
Pr Dis		253	255	256	-	294	295	297	-	336	337	339	-	381	382	384	-	430	431	433	-	482	483	485	-												
TotalPower		2,856	2,853	2,847	-	3,195	3,192	3,186	-	3,573	3,570	3,564	-	3,982	3,979	3,974	-	4,439	4,437	4,431	-	4,976	4,973	4,967	-												
		47,414	48,076	49,474	-	46,996	47,657	49,055	-	45,774	46,435	47,833	-	43,671	44,332	45,730	-	41,101	41,762	43,160	-	38,756	39,417	40,815	-												
S/T		0.66	0.58	0.45	-	0.66	0.59	0.45	-	0.69	0.61	0.48	-	1.00	0.63	0.50	-	1.00	0.65	0.52	-	1.00	0.70	0.57	-												
Evap dT		19.69	17.76	14.16	-	19.64	17.71	14.11	-	19.91	17.98	14.38	-	19.62	17.69	14.09	-	19.36	17.43	13.83	-	20.57	18.64	15.04	-												
Pr Suc		125	126	129	-	132	134	137	-	139	140	144	-	144	146	149	-	150	151	154	-	157	158	161	-												
Pr Dis		257	258	260	-	297	298	300	-	339	340	342	-	384	385	387	-	433	434	436	-	485	486	488	-												
TotalPower		2,882	2,880	2,874	-	3,221	3,218	3,213	-	3,599	3,597	3,591	-	4,008	4,006	4,000	-	4,466	4,463	4,457	-	5,002	5,000	4,994	-												
		48,909	49,570	50,968	-	48,490	49,151	50,549	-	47,268	47,929	49,327	-	45,165	45,826	47,224	-	42,596	43,257	44,655	-	40,250	40,911	42,309	-												
S/T		0.70	0.63	0.49	-	0.71	0.63	0.50	-	0.73	0.66	0.52	-	1.00	0.68	0.54	-	1.00	0.70	0.56	-	1.00	0.75	0.62	-												
Evap dT		17.96	16.03	12.43	-	17.90	15.97	12.37	-	18.17	16.25	12.64	-	17.88	15.95	12.35	-	17.63	15.70	12.10	-	18.83	16.90	13.30	-												
Pr Suc		129	130	133	-	136	138	141	-	143	144	147	-	148	150	153	-	154	155	158	-	161	162	165	-												
Pr Dis		261	262	263	-	301	302	304	-	343	344	346	-	388	389	391	-	437	438	440	-	489	490	492	-												
TotalPower		2,908	2,906	2,900	-	3,247	3,244	3,239	-	3,625	3,623	3,617	-	4,034	4,032	4,026	-	4,492	4,489	4,483	-	5,028	5,026	5,020	-												
		46,596	47,257	48,655	50,791	46,178	46,839	48,237	50,372	44,955	45,616	47,014	49,150	42,853	43,514	44,912	47,047	40,283	40,944	42,342	44,478	37,937	38,598	39,997	42,132												
S/T		0.69	0.62	0.48	0.34	0.70	0.62	0.49	0.35	1.00	0.65	0.51	0.37	1.00	0.67	0.53	0.39	1.00	0.69	0.55	0.41	1.00	1.00	0.60	0.46												
Evap dT		25.68	23.75	20.15	16.41	25.62	23.69	20.09	16.36	25.90	23.97	20.36	16.63	25.60	23.68	20.07	16.34	25.35	23.42	19.82	16.08	26.55	24.63	21.02	17.29												
Pr Suc		122	124	127	132	130	131	134	140	136	138	141	146	142	143	147	152	147	149	152	157	154	156	159	164												
Pr Dis		254	255	257	261	294	295	297	301	336	337	339	343	381	382	384	389	430	431	433	437	482	483	485	490												
TotalPower		2,854	2,851	2,845	2,871	3,192	3,190	3,184	3,210	3,571	3,568	3,562	3,588	3,980	3,977	3,971	3,997	4,437	4,435	4,429	4,455	4,974	4,971	4,965	4,991												
		47,442	48,103	49,501	51,636	47,023	47,684	49,082	51,217	45,801	46,462	47,860	49,995	43,698	44,359	45,757	47,893	41,129	41,790	43,188	45,323	38,783	39,444	40,842	42,977												
S/T		0.78	0.71	0.58	0.43	0.79	0.72	0.58	0.44	1.00	0.74	0.61	0.47	1.00	0.76	0.63	0.48	1.00	0.78	0.65	0.51	1.00	1.00	0.70	0.56												
Evap dT		23.93	22.01	18.40	14.67	23.88	21.95	18.35	14.62	24.15	22.22	18.62	14.89	23.86	21.93	18.33	14.60	23.60	21.67	18.07	14.34	24.81	22.88	19.28	15.55												
Pr Suc		125	126	129	135	132	134	137	142	139	140	144	149	144	146	149	154	150	151	155	160	157	158	161	167												
Pr Dis		257	258	260	264	297	298	300	304	339	340	342	346	384	385	387	392	433	434	436	441	485	486	488	493												
TotalPower		2,880	2,877	2,872	2,897	3,219	3,216	3,210	3,236	3,597	3,594	3,589	3,614	4,006	4,004	3,998	4,024	4,464	4,461	4,455	4,481	5,000	4,997	4,992	5,017												
		48,936	49,597	50,995	53,131	48,517	49,178	50,576	52,712	47,295	47,956	49,354	51,490	45,192	45,853	47,251	49,387	42,623	43,284	44,682	46,817	40,277	40,938	42,336	44,472												
S/T		0.83	0.75	0.62	0.48	1.00	0.76	0.63	0.48	1.00	0.78	0.65	0.51	1.00	0.80	0.67	0.53	1.00	1.00	0.69	0.55	1.00	1.00	0.74	0.60												
Evap dT		22.20	20.27	16.67	12.94	22.14	20.22	16.61	12.88	22.42	20.49	16.89	13.15	22.13	20.20	16.59	12.86	21.87	19.94	16.34	12.61	23.08	21.15	17.54	13.81												
Pr Suc		129	130	133	139	136	138	141	146	143	144	147	153	148	150	153	158	154	155	158	164	161	162	165	171												
Pr Dis		261	262	264	268	301	302	304	308	343	344	346	350	388	389	391	396	437	438	440	444	489	490	492	497												
TotalPower		2,906	2,903	2,898	2,923	3,245	3,242	3,236	3,262	3,623	3,620	3,615	3,640	4,032	4,030	4,024	4,050	4,490	4,487	4,481	4,507	5,026	5,023	5,018	5,043												

IDB: Entering Indoor Dry Bulb Temperature
 High and low pressures are measured at the liquid and suction access fittings.
 Design Subcooling, 16 - 19 °F @ the liquid access fitting connection ARI 95 test conditions. Design Superheat 8 - 12 °F @ the compressor suction access fitting connection.
 Shaded area reflects ACCA (TVA) conditions
 kW = Total system power
 Amps: Unit amps (comp.+ evaporator + condenser fan motors)

IDB	Airflow	ID WB	Outdoor Ambient Temperature																							
			65				75				85				95				105				115			
			59	63	67	71	59	63	67	71	59	63	67	71	59	63	67	71	59	63	67	71	59	63	67	71
80	1200	Capacity	46,839	47,500	48,898	51,033	46,420	47,081	48,479	50,614	45,198	45,859	47,257	49,392	43,095	43,756	45,154	47,290	40,526	41,187	42,585	44,720	38,180	38,841	40,239	42,374
		S/T	1.00	0.74	0.61	0.46	1.00	0.75	0.61	0.47	1.00	0.77	0.64	0.50	1.00	0.79	0.66	0.51	1.00	1.00	0.68	0.54	1.00	1.00	0.73	0.59
		Evap dT	29.95	28.02	24.42	20.68	29.89	27.97	24.36	20.63	30.17	28.24	24.63	20.90	29.87	27.95	24.34	20.61	29.62	27.69	24.09	20.35	30.82	28.90	25.29	21.56
		Pr Suc	123	124	127	133	130	132	135	140	137	138	142	147	142	144	147	152	148	149	153	158	155	156	159	165
		Pr Dis	254	255	257	262	294	295	297	302	336	337	339	344	382	383	385	389	431	432	433	438	483	484	486	490
		TotalPower	2,855	2,853	2,847	2,873	3,194	3,192	3,186	3,212	3,572	3,570	3,564	3,590	3,982	3,979	3,973	3,999	4,439	4,436	4,431	4,456	4,975	4,973	4,967	4,993
80	1460	Capacity	47,684	48,345	49,743	51,879	47,265	47,926	49,324	51,460	46,043	46,704	48,102	50,238	43,941	44,602	46,000	48,135	41,371	42,032	43,430	45,566	39,025	39,686	41,084	43,220
		S/T	1.00	0.83	0.70	0.56	1.00	0.84	0.71	0.56	1.00	0.86	0.73	0.59	1.00	1.00	0.75	0.61	1.00	1.00	0.77	0.63	1.00	1.00	0.82	0.68
		Evap dT	28.20	26.28	22.67	18.94	28.15	26.22	22.62	18.89	28.42	26.49	22.89	19.16	28.13	26.20	22.60	18.87	27.87	25.95	22.34	18.61	29.08	27.15	23.55	19.82
		Pr Suc	125	127	130	135	133	134	138	143	139	141	144	149	145	146	150	155	150	152	155	160	157	159	162	167
		Pr Dis	257	258	260	265	297	299	300	305	340	341	342	347	385	386	388	392	434	435	437	441	486	487	489	493
		TotalPower	2,882	2,879	2,873	2,899	3,221	3,218	3,212	3,238	3,599	3,596	3,590	3,616	4,008	4,005	4,000	4,025	4,465	4,463	4,457	4,483	5,002	4,999	4,993	5,019
80	1800	Capacity	49,178	49,839	51,237	53,373	48,759	49,420	50,819	52,954	47,537	48,198	49,596	51,732	45,435	46,096	47,494	49,629	42,865	43,526	44,924	47,060	40,519	41,180	42,579	44,714
		S/T	1.00	0.88	0.74	0.60	1.00	0.88	0.75	0.61	1.00	0.91	0.77	0.63	1.00	1.00	0.79	0.65	1.00	1.00	0.82	0.67	1.00	1.00	0.87	0.73
		Evap dT	26.47	24.54	20.94	17.21	26.42	24.49	20.88	17.15	26.69	24.76	21.16	17.42	26.40	24.47	20.86	17.13	26.14	24.21	20.61	16.88	27.35	25.42	21.81	18.08
		Pr Suc	129	131	134	139	137	138	141	147	143	145	148	153	149	150	154	159	154	156	159	164	161	163	166	171
		Pr Dis	261	262	264	269	301	303	304	309	343	345	346	351	389	390	392	396	438	439	441	445	490	491	493	497
		TotalPower	2,908	2,905	2,899	2,925	3,247	3,244	3,238	3,264	3,625	3,622	3,616	3,642	4,034	4,031	4,026	4,052	4,491	4,489	4,483	4,509	5,028	5,025	5,019	5,045
85	1200	Capacity	47,627	48,288	49,686	51,822	47,209	47,870	49,268	51,403	45,986	46,647	48,045	50,181	43,884	44,545	45,943	48,078	41,314	41,975	43,373	45,509	38,968	39,629	41,028	43,163
		S/T	1.00	0.84	0.71	0.56	1.00	0.85	0.71	0.57	1.00	1.00	0.74	0.60	1.00	1.00	0.76	0.61	1.00	1.00	0.78	0.64	1.00	1.00	1.00	0.69
		Evap dT	33.73	31.80	28.20	24.47	33.68	31.75	28.15	24.42	33.95	32.02	28.42	24.69	33.66	31.73	28.13	24.40	33.40	31.47	27.87	24.14	34.61	32.68	29.08	25.35
		Pr Suc	125	126	129	135	132	134	137	142	139	140	143	149	144	146	149	154	150	151	154	160	157	158	161	166
		Pr Dis	255	256	258	263	296	297	298	303	338	339	340	345	383	384	386	390	432	433	435	439	484	485	487	491
		TotalPower	2,862	2,859	2,853	2,879	3,201	3,198	3,192	3,218	3,579	3,576	3,570	3,596	3,988	3,986	3,980	4,006	4,445	4,443	4,437	4,463	4,982	4,979	4,974	4,999
85	1460	Capacity	48,473	49,134	50,532	52,667	48,054	48,715	50,113	52,248	46,832	47,493	48,891	51,026	44,729	45,390	46,788	48,924	42,160	42,821	44,219	46,354	39,814	40,475	41,873	44,008
		S/T	1.00	0.93	0.80	0.66	1.00	1.00	0.81	0.66	1.00	1.00	0.83	0.69	1.00	1.00	0.85	0.71	1.00	1.00	0.87	0.73	1.000	1.000	1.000	0.781
		Evap dT	31.99	30.06	26.46	22.73	31.94	30.01	26.41	22.68	32.21	30.28	26.68	22.95	31.92	29.99	26.39	22.66	31.66	29.73	26.13	22.40	32.87	30.94	27.34	23.61
		Pr Suc	127	129	132	137	135	136	139	145	141	143	146	151	147	148	151	157	152	154	157	162	159	161	164	169
		Pr Dis	259	260	261	266	299	300	302	306	341	342	344	348	386	387	389	393	435	436	438	442	487	488	490	494
		TotalPower	2,888	2,886	2,880	2,906	3,227	3,224	3,219	3,245	3,605	3,603	3,597	3,623	4,015	4,012	4,006	4,032	4,472	4,469	4,463	4,489	5,008	5,006	5,000	5,026
85	1800	Capacity	49,967	50,628	52,026	54,162	49,548	50,209	51,607	53,743	48,326	48,987	50,385	52,521	46,223	46,884	48,282	50,418	43,654	44,315	45,713	47,848	41,308	41,969	43,367	45,503
		S/T	1.00	0.98	0.84	0.70	1.00	1.00	0.85	0.71	1.00	1.00	0.87	0.73	1.00	1.00	0.89	0.75	1.00	1.00	1.00	0.77	1.00	1.00	1.00	0.83
		Evap dT	30.26	28.33	24.72	20.99	30.20	28.27	24.67	20.94	30.47	28.54	24.94	21.21	30.18	28.25	24.65	20.92	29.92	28.00	24.39	20.66	31.13	29.20	25.60	21.87
		Pr Suc	131	133	136	141	139	140	143	149	145	147	150	155	151	152	155	161	156	158	161	166	163	165	168	173
		Pr Dis	262	264	265	270	303	304	306	310	345	346	348	352	390	391	393	397	439	440	442	446	491	492	494	498
		TotalPower	2,914	2,912	2,906	2,932	3,253	3,250	3,245	3,271	3,631	3,629	3,623	3,649	4,041	4,038	4,032	4,058	4,498	4,495	4,489	4,515	5,034	5,032	5,026	5,052

IDB: Entering Indoor Dry Bulb Temperature
 High and low pressures are measured at the liquid and suction access fittings.
 Design Subcooling, 16 - 19 °F @ the liquid access fitting connection ARI 95 test conditions. Design Superheat 8 - 12 °F @ the compressor suction access fitting connection.
 Shaded area reflects AHRI (TVA) conditions
 kW = Total system power
 Amps: Unit amps (comp. + evaporator + condenser fan motors)

IDB		Outdoor Ambient Temperature																																			
		65						75						85						95						105						115					
		IDB	Airflow	IDWB	Capacity	59	63	67	71	59	63	67	71	59	63	67	71	59	63	67	71	59	63	67	71	59	63	67	71								
70	1500	Capacity	57,283	58,095	59,812	-	55,267	56,079	57,796	-	52,685	53,497	55,214	-	49,529	50,341	52,058	-	46,647	47,459	49,176	-	44,765	45,577	47,294	-	42,402	43,214	44,931	-							
		S/T	0.57	0.49	0.36	-	0.60	0.52	0.39	-	0.62	0.54	0.41	-	0.64	0.56	0.43	-	0.66	0.58	0.45	-	0.68	0.60	0.47	-	0.70	0.62	0.51	-							
		Evap dT	21.25	19.33	15.72	-	21.20	19.27	15.67	-	21.18	19.25	15.65	-	20.92	19.00	15.39	-	20.80	18.88	15.27	-	20.64	18.72	15.11	-	20.38	18.46	14.85	-							
		Pr Suc	117	118	121	-	124	125	128	-	130	132	135	-	135	137	140	-	141	142	145	-	147	149	152	-	154	156	159	-							
		Pr Dis	256	257	259	-	296	298	299	-	339	340	342	-	385	386	387	-	434	435	437	-	486	487	489	-	534	535	537	-							
	TotalPower	3,510	3,507	3,500	-	3,926	3,923	3,916	-	4,390	4,387	4,380	-	4,893	4,889	4,882	-	5,454	5,450	5,443	-	6,112	6,109	6,102	-	6,779	6,776	6,773	-								
	Capacity	58,237	59,049	60,766	-	57,723	58,535	60,252	-	56,222	57,034	58,751	-	53,639	54,451	56,168	-	50,483	51,295	53,012	-	47,602	48,414	50,131	-	44,721	45,533	47,252	-								
	S/T	0.65	0.57	0.44	-	0.65	0.58	0.45	-	0.68	0.60	0.47	-	0.70	0.62	0.49	-	0.72	0.65	0.51	-	0.74	0.67	0.54	-	0.76	0.69	0.56	-								
	Evap dT	19.69	17.76	14.16	-	19.64	17.71	14.11	-	19.91	17.98	14.38	-	19.62	17.69	14.09	-	19.36	17.43	13.83	-	19.10	17.17	13.57	-	18.84	16.91	13.31	-								
	Pr Suc	119	120	123	-	126	128	131	-	132	134	137	-	138	139	142	-	143	144	147	-	149	151	154	-	156	158	161	-								
Pr Dis	259	260	262	-	299	300	302	-	342	343	345	-	387	389	390	-	437	438	440	-	489	490	492	-	540	541	543	-									
TotalPower	3,539	3,536	3,529	-	3,955	3,952	3,945	-	4,419	4,416	4,409	-	4,921	4,918	4,911	-	5,483	5,479	5,472	-	6,141	6,138	6,130	-	6,808	6,805	6,798	-									
Capacity	60,300	61,112	62,830	-	59,786	60,598	62,315	-	58,285	59,097	60,814	-	55,702	56,514	58,232	-	52,546	53,358	55,075	-	49,665	50,477	52,194	-	46,784	47,596	49,313	-									
S/T	0.69	0.62	0.49	-	0.70	0.62	0.49	-	0.72	0.65	0.52	-	0.74	0.67	0.54	-	0.76	0.69	0.56	-	0.78	0.71	0.58	-	0.80	0.73	0.60	-									
Evap dT	17.80	15.87	12.26	-	17.74	15.81	12.21	-	18.01	16.08	12.48	-	17.72	15.79	12.19	-	17.47	15.54	11.93	-	17.21	15.28	11.67	-	16.96	15.03	11.42	-									
Pr Suc	123	125	128	-	130	132	135	-	137	138	141	-	142	143	146	-	147	148	151	-	154	155	158	-	160	162	165	-									
Pr Dis	263	264	266	-	304	305	307	-	346	347	349	-	392	393	395	-	441	442	444	-	494	495	497	-	546	547	549	-									
TotalPower	3,574	3,571	3,564	-	3,990	3,987	3,980	-	4,454	4,451	4,444	-	4,956	4,953	4,946	-	5,517	5,514	5,507	-	6,176	6,173	6,165	-	6,843	6,840	6,833	-									
75	1500	Capacity	57,316	58,128	59,845	62,468	56,802	57,614	59,331	61,954	55,301	56,113	57,830	60,453	52,718	53,530	55,247	57,870	46,681	47,493	49,210	51,833	45,035	45,847	47,564	50,187	43,392	44,204	45,921	48,544							
		S/T	0.69	0.62	0.49	0.35	0.70	0.62	0.49	0.35	0.72	0.65	0.52	0.38	1.00	0.67	0.54	0.40	1.00	0.69	0.56	0.42	1.00	0.74	0.61	0.47	1.00	0.79	0.66	0.53							
		Evap dT	25.50	23.57	19.96	16.23	25.44	23.51	19.91	16.18	25.71	23.78	20.18	16.45	25.42	23.49	19.89	16.16	25.17	23.24	19.63	15.90	26.37	24.44	20.84	17.11	27.04	25.11	21.51	17.88							
		Pr Suc	117	118	121	126	124	125	128	133	130	132	135	140	135	137	140	145	141	141	142	145	150	147	149	152	157	162	165	168							
		Pr Dis	256	257	259	264	297	298	300	304	339	340	342	346	385	386	388	392	434	434	435	437	441	487	488	490	494	531	532	535							
	TotalPower	3,508	3,504	3,497	3,529	3,923	3,920	3,913	3,945	4,388	4,384	4,377	4,409	4,890	4,887	4,879	4,911	5,451	5,448	5,441	5,472	6,109	6,106	6,099	6,131	6,768	6,765	6,758	6,790								
	Capacity	58,271	59,083	60,800	63,423	57,756	58,568	60,285	62,908	56,255	57,067	58,784	61,407	53,673	54,485	56,202	58,825	50,517	51,329	53,046	55,669	47,635	48,447	50,164	52,787	44,792	45,604	47,321	50,944								
	S/T	0.77	0.70	0.57	0.43	0.78	0.71	0.57	0.43	0.80	0.73	0.60	0.46	1.00	0.75	0.62	0.48	1.00	0.77	0.64	0.50	1.00	0.82	0.69	0.55	1.00	0.87	0.74	0.61								
	Evap dT	23.93	22.01	18.40	14.67	23.88	21.95	18.35	14.62	24.15	22.22	18.62	14.89	23.86	21.93	18.33	14.60	23.60	21.67	18.07	14.34	24.81	22.88	19.28	15.55	25.56	23.63	20.03	16.38								
	Pr Suc	119	120	123	128	126	128	131	136	132	134	137	142	138	139	142	147	143	144	147	152	149	151	154	159	164	167	170	173								
Pr Dis	259	260	262	266	300	301	302	307	342	343	345	349	388	389	391	395	437	438	440	444	489	491	492	497	542	543	546	549									
TotalPower	3,537	3,533	3,526	3,558	3,952	3,949	3,942	3,974	4,416	4,413	4,406	4,438	4,919	4,915	4,908	4,940	5,480	5,477	5,469	5,501	6,138	6,135	6,128	6,160	6,807	6,804	6,797	6,829									
Capacity	60,334	61,146	62,863	65,486	59,819	60,631	62,348	64,971	58,318	59,130	60,847	63,470	55,736	56,548	58,265	60,888	52,580	53,392	55,109	57,732	49,699	50,511	52,228	54,851	44,846	45,658	47,375	51,000									
S/T	0.82	0.74	0.61	0.47	0.82	0.75	0.62	0.48	1.00	0.77	0.64	0.50	1.00	0.79	0.66	0.52	1.00	0.81	0.68	0.54	1.00	1.00	0.73	0.59	1.00	0.95	0.82	0.69									
Evap dT	22.04	20.11	16.51	12.77	21.98	20.05	16.45	12.72	22.26	20.33	16.72	12.99	21.96	20.04	16.43	12.70	21.71	19.78	16.18	12.44	22.91	20.99	17.38	13.65	24.36	22.43	18.82	15.17									
Pr Suc	123	125	128	133	130	132	135	140	137	138	141	146	142	143	146	151	147	149	151	156	154	155	158	163	168	171	174	177									
Pr Dis	263	265	266	271	304	305	307	311	346	347	349	354	392	393	395	399	441	442	444	449	494	495	497	501	546	547	550	553									
TotalPower	3,572	3,568	3,561	3,593	3,987	3,984	3,977	4,009	4,451	4,448	4,441	4,473	4,954	4,950	4,943	4,975	5,515	5,511	5,504	5,536	6,173	6,170	6,163	6,194	6,840	6,837	6,830	6,862									

IDB: Entering Indoor Dry Bulb Temperature
 High and low pressures are measured at the liquid and suction access fittings.
 Design Subcooling, 16 - 19 °F @ the liquid access fitting connection ARI 95 test conditions. Design Superheat 8 - 12 °F @ the compressor suction access fitting connection.
 Shaded area reflects ACCA (TVA) conditions
 kW = Total system power
 Amps: Unit amps (comp.+ evaporator + condenser fan motors)

IDB	Airflow	ID WB	Outdoor Ambient Temperature																							
			65				75				85				95				105				115			
			59	63	67	71	59	63	67	71	59	63	67	71	59	63	67	71	59	63	67	71	59	63	67	71
80	1500	Capacity	57,614	58,426	60,143	62,766	57,100	57,911	59,629	62,252	55,599	56,410	58,128	60,751	53,016	53,828	55,545	58,168	49,860	50,672	52,389	55,012	46,979	47,791	49,508	52,131
		S/T	0.81	0.74	0.61	0.47	1.00	0.75	0.61	0.48	1.00	0.77	0.64	0.50	1.00	0.79	0.66	0.52	1.00	0.81	0.68	0.54	1.00	0.81	0.68	0.54
		Evap dT	29.77	27.84	24.23	20.50	29.71	27.78	24.18	20.45	29.98	28.06	24.45	20.72	29.69	27.76	24.16	20.43	29.44	27.51	23.90	20.17	30.64	28.71	25.11	21.38
		Pr Suc	117	119	122	127	124	126	129	134	131	132	135	140	136	137	140	145	141	143	146	151	148	149	152	157
		Pr Dis	257	258	260	264	297	298	300	305	340	341	342	347	385	386	388	393	435	436	437	442	487	488	490	494
		TotalPower	3,510	3,507	3,500	3,531	3,926	3,922	3,915	3,947	4,390	4,386	4,379	4,411	4,892	4,889	4,882	4,913	5,453	5,450	5,443	5,475	6,111	6,108	6,101	6,133
		Capacity	58,569	59,381	61,098	63,721	58,054	58,866	60,583	63,206	56,553	57,365	59,082	61,705	53,971	54,783	56,500	59,123	50,815	51,626	53,344	55,967	47,933	48,745	50,462	53,085
		S/T	0.90	0.82	0.69	0.55	1.00	0.83	0.70	0.56	1.00	0.85	0.72	0.58	1.00	0.87	0.74	0.60	1.00	0.89	0.76	0.62	1.00	1.00	0.81	0.67
		Evap dT	28.20	26.28	22.67	18.94	28.15	26.22	22.62	18.89	28.42	26.49	22.89	19.16	28.13	26.20	22.60	18.87	27.87	25.95	22.34	18.61	29.08	27.15	23.55	19.82
		Pr Suc	120	121	124	129	127	128	131	136	133	134	137	142	138	140	143	148	148	145	148	153	150	151	154	159
Pr Dis	260	261	262	267	300	301	303	307	342	344	345	350	388	389	391	396	437	438	440	445	490	491	493	497		
TotalPower	3,539	3,536	3,528	3,560	3,955	3,951	3,944	3,976	4,419	4,415	4,408	4,440	4,921	4,918	4,911	4,942	5,482	5,479	5,472	5,503	6,140	6,137	6,130	6,162		
Capacity	60,632	61,444	63,161	65,784	60,117	60,929	62,646	65,269	58,616	59,428	61,145	63,768	56,034	56,846	58,563	61,186	52,878	53,690	55,407	58,030	49,996	50,808	52,525	55,148		
S/T	1.00	0.87	0.73	0.59	1.00	0.87	0.74	0.60	1.00	0.90	0.76	0.63	1.00	0.92	0.78	0.64	1.00	1.00	0.80	0.67	1.00	1.00	0.85	0.72		
Evap dT	26.31	24.38	20.78	17.04	26.25	24.33	20.72	16.99	26.53	24.60	20.99	17.26	26.23	24.31	20.70	16.97	25.98	24.05	20.45	16.71	27.18	25.26	21.65	17.92		
Pr Suc	124	125	128	133	131	132	135	140	137	139	142	147	142	144	147	152	148	149	152	157	154	156	159	164		
Pr Dis	264	265	267	271	304	306	307	312	347	348	350	354	393	394	395	400	442	443	445	449	494	495	497	502		
TotalPower	3,574	3,570	3,563	3,595	3,989	3,986	3,979	4,011	4,454	4,450	4,443	4,475	4,956	4,953	4,945	4,977	5,517	5,514	5,507	5,538	6,175	6,172	6,165	6,197		
85	1500	Capacity	58,583	59,395	61,112	63,735	58,068	58,880	60,597	63,220	56,567	57,379	59,096	61,719	53,985	54,796	56,514	59,137	50,828	51,640	53,358	55,980	47,947	48,759	50,476	53,099
		S/T	1.00	0.84	0.71	0.57	1.00	0.85	0.71	0.57	1.00	0.87	0.74	0.60	1.00	1.00	0.76	0.62	1.00	1.00	0.78	0.64	1.00	1.00	0.83	0.69
		Evap dT	33.55	31.62	28.02	24.29	33.50	31.57	27.97	24.24	33.77	31.84	28.24	24.51	33.48	31.55	27.95	24.22	33.22	31.29	27.69	23.96	34.43	32.50	28.90	25.17
		Pr Suc	119	121	123	128	126	128	131	136	132	134	137	142	138	139	142	147	143	144	147	152	149	151	154	159
		Pr Dis	258	259	261	265	298	299	301	306	341	342	344	348	386	388	389	394	436	437	439	443	488	489	491	496
		TotalPower	3,518	3,515	3,507	3,539	3,934	3,930	3,923	3,955	4,398	4,394	4,387	4,419	4,900	4,897	4,890	4,921	5,461	5,458	5,451	5,483	6,119	6,116	6,109	6,141
		Capacity	59,537	60,349	62,066	64,689	59,023	59,835	61,552	64,175	57,522	58,334	60,051	62,674	54,939	55,751	57,468	60,091	51,783	52,595	54,312	56,935	48,902	49,714	51,431	54,054
		S/T	1.00	0.92	0.79	0.65	1.00	0.93	0.79	0.66	1.00	1.00	0.82	0.68	1.00	1.00	0.84	0.70	1.00	1.00	0.86	0.72	1.000	1.000	0.909	0.770
		Evap dT	31.99	30.06	26.46	22.73	31.94	30.01	26.41	22.68	32.21	30.28	26.68	22.95	31.92	29.99	26.39	22.66	31.66	29.73	26.13	22.40	32.87	30.94	27.34	23.61
		Pr Suc	121	123	126	131	128	130	133	138	135	136	139	144	140	141	144	149	145	147	150	155	152	153	156	161
Pr Dis	261	262	264	268	301	302	304	309	344	345	347	351	389	390	392	397	439	440	442	446	491	492	494	499		
TotalPower	3,547	3,543	3,536	3,568	3,963	3,959	3,952	3,984	4,427	4,423	4,416	4,448	4,929	4,926	4,918	4,950	5,490	5,487	5,480	5,511	6,148	6,145	6,138	6,170		
Capacity	61,600	62,412	64,129	66,752	61,086	61,898	63,615	66,238	59,585	60,397	62,114	64,737	57,002	57,814	59,531	62,154	53,846	54,658	56,375	58,998	50,965	51,777	53,494	56,117		
S/T	1.00	0.96	0.83	0.69	1.00	0.97	0.84	0.70	1.00	1.00	0.86	0.72	1.00	1.00	0.88	0.74	1.00	1.00	0.90	0.76	1.00	1.00	1.00	0.81		
Evap dT	30.09	28.17	24.56	20.83	30.04	28.11	24.51	20.78	30.31	28.38	24.78	21.05	30.02	28.09	24.49	20.76	29.76	27.83	24.23	20.50	30.97	29.04	25.44	21.71		
Pr Suc	125	127	130	135	133	134	137	142	139	140	143	148	144	146	149	154	149	151	154	159	156	157	160	165		
Pr Dis	265	266	268	273	306	307	309	313	348	349	351	355	394	395	397	401	443	444	446	450	496	497	498	503		
TotalPower	3,582	3,578	3,571	3,603	3,997	3,994	3,987	4,019	4,462	4,458	4,451	4,483	4,964	4,960	4,953	4,985	5,525	5,522	5,514	5,546	6,183	6,180	6,173	6,205		

IDB: Entering Indoor Dry Bulb Temperature
 High and low pressures are measured at the liquid and suction access fittings.
 Design Subcooling, 16 - 19 °F @ the liquid access fitting connection ARI 95 test conditions. Design Superheat 8 - 12°F @ the compressor suction access fitting connection.

Shaded area reflects AHRI (TVA) conditions
 kW = Total system power
 Amps: Unit amps (comp.+ evaporator + condenser fan motors)

Electrical Heater Data

ELECTRIC HEATERS								
MODEL #	MIN AIRFLOW	MAX AIRFLOW	EH*D-*S05	EH*D-*S10	EH*B-*S15	EH*B-*S18	EH*B-*S20	EH*B-*S30
DBH036*	975	1350	X	X	X			
DBH048*	1300	1800	X	X	X	X	X	
DBH060*	1625	2250	X	X	X	X	X	

DBH036*B Standard Belt-Drive Downshot

ESP, IN H ₂ O	TURNS OPEN																	
	0			1			2			3			4			5		
	CFM	RPM	BHP	CFM	RPM	BHP	CFM	RPM	BHP	CFM	RPM	BHP	CFM	RPM	BHP	CFM	RPM	BHP
0.1	-	-	-	-	-	-	-	-	-	-	-	-	1408	665	0.23	1253	600	0.17
0.2	-	-	-	-	-	-	-	-	-	1426	725	0.25	1272	665	0.21	1102	600	0.15
0.3	-	-	-	-	-	-	1474	790	0.34	1291	725	0.22	1122	665	0.18	932	600	0.12
0.4	-	-	-	-	-	-	1341	790	0.31	1142	725	0.19	953	665	0.16	-	-	-
0.5	-	-	-	1396	855	0.37	1196	790	0.27	975	725	0.16	-	-	-	-	-	-
0.6	1450	915	0.45	1256	855	0.34	1034	790	0.24	-	-	-	-	-	-	-	-	-
0.7	1317	915	0.41	1101	855	0.30	-	-	-	-	-	-	-	-	-	-	-	-
0.8	1170	915	0.37	924	855	0.26	-	-	-	-	-	-	-	-	-	-	-	-

DBH036*C High-Static Belt-Drive Downshot

ESP, IN H ₂ O	TURNS OPEN																	
	0			1			2			3			4			5		
	CFM	RPM	BHP	CFM	RPM	BHP	CFM	RPM	BHP	CFM	RPM	BHP	CFM	RPM	BHP	CFM	RPM	BHP
0.8	-	-	-	-	-	-	-	-	-	-	-	-	-	-	-	1587	1020	0.61
0.9	-	-	-	-	-	-	-	-	-	-	-	-	-	-	-	1456	1020	0.56
1.0	-	-	-	-	-	-	-	-	-	-	-	-	1515	1080	0.65	1312	1020	0.51
1.1	-	-	-	-	-	-	-	-	-	1565	1140	0.75	1383	1080	0.60	1151	1020	0.46
1.2	-	-	-	-	-	-	-	-	-	1445	1140	0.70	1238	1080	0.55	965	1020	0.41
1.3	-	-	-	-	-	-	1563	1200	0.83	1313	1140	0.65	1074	1080	0.50	-	-	-
1.4	-	-	-	-	-	-	1439	1200	0.78	1166	1140	0.59	-	-	-	-	-	-
1.5	-	-	-	1516	1260	0.90	1304	1200	0.72	998	1140	0.54	-	-	-	-	-	-
1.6	1588	1320	1.03	1395	1260	0.84	1152	1200	0.66	-	-	-	-	-	-	-	-	-
1.7	1480	1320	0.97	1261	1260	0.78	975	1200	0.60	-	-	-	-	-	-	-	-	-
1.8	1362	1320	0.91	1111	1260	0.71	-	-	-	-	-	-	-	-	-	-	-	-

¹To operate below 0.8" H₂O external static pressure, motor and blower sheave must be changed to VL34 and AK61 respectively, or equivalents.

DBH036*B Standard Belt-Drive Horizontal

ESP, IN H ₂ O	TURNS OPEN																	
	0			1			2			3			4			5		
	CFM	RPM	BHP	CFM	RPM	BHP	CFM	RPM	BHP	CFM	RPM	BHP	CFM	RPM	BHP	CFM	RPM	BHP
0.1	-	-	-	-	-	-	-	-	-	1474	725	0.29	1336	665	0.22	1179	600	0.16
0.2	-	-	-	-	-	-	-	-	-	1353	725	0.26	1199	665	0.19	1018	600	0.13
0.3	-	-	-	-	-	-	1398	790	0.32	1218	725	0.23	1040	665	0.17	-	-	-
0.4	-	-	-	1452	855	0.39	1268	790	0.29	1062	725	0.21	-	-	-	-	-	-
0.5	-	-	-	1328	855	0.36	1119	790	0.26	-	-	-	-	-	-	-	-	-
0.6	1387	915	0.43	1188	855	0.32	941	790	0.22	-	-	-	-	-	-	-	-	-
0.7	1255	915	0.39	1023	855	0.28	-	-	-	-	-	-	-	-	-	-	-	-
0.8	1103	915	0.35	-	-	-	-	-	-	-	-	-	-	-	-	-	-	-

Note: VL34 and AK61 pulleys used on standard static unit.

DBH036*C High-Static Belt-Drive Horizontal

ESP, IN H ₂ O	TURNS OPEN																	
	0			1			2			3			4			5		
	CFM	RPM	BHP	CFM	RPM	BHP	CFM	RPM	BHP	CFM	RPM	BHP	CFM	RPM	BHP	CFM	RPM	BHP
0.8	-	-	-	-	-	-	-	-	-	-	-	-	-	-	-	1504	1020	0.57
0.9	-	-	-	-	-	-	-	-	-	-	-	-	-	-	-	1378	1020	0.53
1.0	-	-	-	-	-	-	-	-	-	-	-	-	1469	1080	0.63	1236	1020	0.49
1.1	-	-	-	-	-	-	-	-	-	-	-	-	1339	1080	0.59	1067	1020	0.44
1.2	-	-	-	-	-	-	-	-	-	1435	1140	0.70	1191	1080	0.54	-	-	-
1.3	-	-	-	-	-	-	-	-	-	1301	1140	0.64	1011	1080	0.48	-	-	-
1.4	-	-	-	-	-	-	1415	1200	0.77	1145	1140	0.59	-	-	-	-	-	-
1.5	-	-	-	-	-	-	1278	1200	0.71	950	1140	0.52	-	-	-	-	-	-
1.6	-	-	-	1406	1260	0.85	1117	1200	0.65	-	-	-	-	-	-	-	-	-
1.7	-	-	-	1268	1260	0.79	909	1200	0.58	-	-	-	-	-	-	-	-	-
1.8	1410	1320	0.95	1103	1260	0.72	529	1200	0.47	-	-	-	-	-	-	-	-	-

¹To operate below 0.8" H₂O external static pressure, motor and blower sheave must be changed to VL34 and AK61 respectively, or equivalents.

DBH048*B Standard Belt-Drive Downshot

ESP, IN H ₂ O	TURNS OPEN																	
	0			1			2			3			4			5		
	CFM	RPM	BHP	CFM	RPM	BHP	CFM	RPM	BHP	CFM	RPM	BHP	CFM	RPM	BHP	CFM	RPM	BHP
0.1	-	-	-	-	-	-	-	-	-	1777	810	0.44	1648	755	0.35	1502	695	0.27
0.2	-	-	-	-	-	-	-	-	-	1664	810	0.41	1527	755	0.32	1369	695	0.24
0.3	-	-	-	-	-	-	1707	870	0.48	1544	810	0.37	1396	755	0.29	1225	695	0.22
0.4	-	-	-	1752	930	0.56	1589	870	0.44	1415	810	0.34	1253	755	0.26	-	-	-
0.5	1798	990	0.65	1638	930	0.52	1463	870	0.41	1274	810	0.31	-	-	-	-	-	-
0.6	1689	990	0.61	1517	930	0.48	1327	870	0.37	-	-	-	-	-	-	-	-	-
0.7	1572	990	0.56	1385	930	0.44	-	-	-	-	-	-	-	-	-	-	-	-
0.8	1447	990	0.52	1241	930	0.40	-	-	-	-	-	-	-	-	-	-	-	-

DBH048*C High-Static Belt-Drive Downshot

ESP, IN H ₂ O	TURNS OPEN																	
	0			1			2			3			4			5		
	CFM	RPM	BHP	CFM	RPM	BHP	CFM	RPM	BHP	CFM	RPM	BHP	CFM	RPM	BHP	CFM	RPM	BHP
0.6	-	-	-	-	-	-	-	-	-	-	-	-	-	-	-	2003	1075	0.85
0.7	-	-	-	-	-	-	-	-	-	-	-	-	-	-	-	1898	1075	0.81
0.8	-	-	-	-	-	-	-	-	-	-	-	-	1936	1135	0.91	1788	1075	0.76
0.9	-	-	-	-	-	-	-	-	-	1979	1200	1.05	1833	1135	0.86	1671	1075	0.71
1.0	-	-	-	-	-	-	-	-	-	1884	1200	0.99	1724	1135	0.81	1545	1075	0.66
1.1	-	-	-	-	-	-	-	-	-	1784	1200	0.94	1608	1135	0.76	1408	1075	0.61
1.2	-	-	-	-	-	-	1923	1265	1.13	1677	1200	0.89	1482	1135	0.71	1257	1075	0.56
1.3	-	-	-	1966	1325	1.26	1823	1265	1.07	1563	1200	0.83	1344	1135	0.66	-	-	-
1.4	-	-	-	1874	1325	1.21	1716	1265	1.01	1439	1200	0.78	-	-	-	-	-	-
1.5	1942	1390	1.37	1777	1325	1.15	1602	1265	0.95	1304	1200	0.72	-	-	-	-	-	-
1.6	1854	1390	1.32	1673	1325	1.09	1479	1265	0.89	-	-	-	-	-	-	-	-	-
1.7	1762	1390	1.25	1563	1325	1.02	1344	1265	0.83	-	-	-	-	-	-	-	-	-
1.8	1664	1390	1.19	1443	1325	0.96	-	-	-	-	-	-	-	-	-	-	-	-

¹To operate below 0.6" H₂O external static pressure, motor and blower sheave must be changed to VL34 and AK59 respectively, or equivalents.

DBH048*B Standard Belt-Drive Horizontal

ESP, IN H ₂ O	TURNS OPEN																	
	0			1			2			3			4			5		
	CFM	RPM	BHP	CFM	RPM	BHP	CFM	RPM	BHP	CFM	RPM	BHP	CFM	RPM	BHP	CFM	RPM	BHP
0.1	-	-	-	-	-	-	-	-	-	1733	810	0.43	1610	755	0.34	1466	695	0.26
0.2	-	-	-	-	-	-	1770	870	0.50	1625	810	0.40	1491	755	0.31	1332	695	0.24
0.3	-	-	-	-	-	-	1665	870	0.46	1508	810	0.36	1359	755	0.28	-	-	-
0.4	-	-	-	1723	930	0.55	1552	870	0.43	1379	810	0.33	1211	755	0.25	-	-	-
0.5	1782	990	0.64	1613	930	0.51	1427	870	0.40	1234	810	0.30	-	-	-	-	-	-
0.6	1676	990	0.60	1493	930	0.47	1288	870	0.36	-	-	-	-	-	-	-	-	-
0.7	1562	990	0.56	1361	930	0.43	-	-	-	-	-	-	-	-	-	-	-	-
0.8	1437	990	0.52	1210	930	0.39	-	-	-	-	-	-	-	-	-	-	-	-

DBH048*C High-Static Belt-Drive Horizontal

ESP, IN H ₂ O	TURNS OPEN																	
	0			1			2			3			4			5		
	CFM	RPM	BHP	CFM	RPM	BHP	CFM	RPM	BHP	CFM	RPM	BHP	CFM	RPM	BHP	CFM	RPM	BHP
0.6	-	-	-	-	-	-	-	-	-	-	-	-	-	-	-	1885	1075	0.80
0.7	-	-	-	-	-	-	-	-	-	-	-	-	1955	1135	0.92	1791	1075	0.76
0.8	-	-	-	-	-	-	-	-	-	-	-	-	1865	1135	0.88	1691	1075	0.72
0.9	-	-	-	-	-	-	-	-	-	1948	1200	1.03	1770	1135	0.83	1582	1075	0.67
1.0	-	-	-	-	-	-	-	-	-	1859	1200	0.98	1668	1135	0.79	1464	1075	0.63
1.1	-	-	-	-	-	-	1964	1265	1.15	1764	1200	0.93	1558	1135	0.74	1331	1075	0.58
1.2	-	-	-	-	-	-	1876	1265	1.10	1662	1200	0.88	1436	1135	0.69	-	-	-
1.3	-	-	-	1960	1325	1.26	1782	1265	1.05	1551	1200	0.83	1299	1135	0.64	-	-	-
1.4	-	-	-	1873	1325	1.21	1682	1265	1.00	1429	1200	0.78	-	-	-	-	-	-
1.5	1986	1390	1.41	1780	1325	1.15	1573	1265	0.94	1291	1200	0.72	-	-	-	-	-	-
1.6	1901	1390	1.35	1681	1325	1.10	1453	1265	0.88	-	-	-	-	-	-	-	-	-
1.7	1810	1390	1.29	1573	1325	1.04	1318	1265	0.82	-	-	-	-	-	-	-	-	-
1.8	1714	1390	1.23	1453	1325	0.98	-	-	-	-	-	-	-	-	-	-	-	-

¹To operate below 0.6" H₂O external static pressure, motor and blower sheave must be changed to VL34 and AK59 respectively, or equivalents.

DBH060*B Standard Belt-Drive Downshot

ESP, IN H ₂ O	TURNS OPEN																	
	0			1			2			3			4			5		
	CFM	RPM	BHP	CFM	RPM	BHP	CFM	RPM	BHP	CFM	RPM	BHP	CFM	RPM	BHP	CFM	RPM	BHP
0.1	-	-	-	2264	1045	0.93	2147	990	0.79	2022	930	0.66	1894	870	0.54	1761	810	0.43
0.2	-	-	-	2188	1045	0.90	2065	990	0.76	1934	930	0.62	1797	870	0.51	1655	810	0.40
0.3	2234	1105	1.02	2109	1045	0.86	1979	990	0.72	1840	930	0.59	1694	870	0.47	1539	810	0.37
0.4	2158	1105	0.98	2026	1045	0.82	1889	990	0.68	1740	930	0.55	1582	870	0.44	-	-	-
0.5	2078	1105	0.94	1939	1045	0.78	1793	990	0.65	1633	930	0.52	-	-	-	-	-	-
0.6	1994	1105	0.90	1846	1045	0.74	1690	990	0.61	1516	930	0.48	-	-	-	-	-	-
0.7	1905	1105	0.85	1748	1045	0.70	1579	990	0.57	-	-	-	-	-	-	-	-	-
0.8	1811	1105	0.81	1642	1045	0.66	-	-	-	-	-	-	-	-	-	-	-	-

DBH060*C High-Static Belt-Drive Downshot

ESP, IN H ₂ O	TURNS OPEN																	
	0			1			2			3			4			5		
	CFM	RPM	BHP	CFM	RPM	BHP	CFM	RPM	BHP	CFM	RPM	BHP	CFM	RPM	BHP	CFM	RPM	BHP
0.6	-	-	-	-	-	-	2397	1310	1.53	2278	1245	1.31	2145	1180	1.10	2003	1115	0.92
0.7	-	-	-	-	-	-	2334	1310	1.48	2208	1245	1.26	2068	1180	1.06	1917	1115	0.88
0.8	-	-	-	-	-	-	2268	1310	1.44	2135	1245	1.22	1986	1180	1.02	1825	1115	0.83
0.9	-	-	-	-	-	-	2199	1310	1.39	2059	1245	1.17	1901	1180	0.97	1728	1115	0.79
1.0	-	-	-	-	-	-	2128	1310	1.34	1980	1245	1.12	1810	1180	0.92	1623	1115	0.74
1.1	-	-	-	2203	1375	1.53	2053	1310	1.29	1896	1245	1.08	1713	1180	0.88	1508	1115	0.69
1.2	-	-	-	2134	1375	1.48	1975	1310	1.24	1807	1245	1.03	1609	1180	0.83	-	-	-
1.3	-	-	-	2061	1375	1.43	1893	1310	1.19	1712	1245	0.98	-	-	-	-	-	-
1.4	-	-	-	1985	1375	1.38	1806	1310	1.14	1610	1245	0.92	-	-	-	-	-	-
1.5	-	-	-	1905	1375	1.32	1714	1310	1.09	-	-	-	-	-	-	-	-	-
1.6	2010	1440	1.53	1820	1375	1.27	1614	1310	1.03	-	-	-	-	-	-	-	-	-
1.7	1933	1440	1.47	1730	1375	1.21	1505	1310	0.97	-	-	-	-	-	-	-	-	-
1.8	1852	1440	1.42	1633	1375	1.15	-	-	-	-	-	-	-	-	-	-	-	-

¹To operate below 0.6" H₂O external static pressure, motor and blower sheave must be changed to VL34 and AK59 respectively, or equivalents.

DBH060*B Standard Belt-Drive Horizontal

ESP, IN H ₂ O	TURNS OPEN																	
	0			1			2			3			4			5		
	CFM	RPM	BHP	CFM	RPM	BHP	CFM	RPM	BHP	CFM	RPM	BHP	CFM	RPM	BHP	CFM	RPM	BHP
0.1	-	-	-	2248	1045	0.93	2131	990	0.79	2009	930	0.65	1882	870	0.54	1751	810	0.43
0.2	-	-	-	2172	1045	0.89	2051	990	0.75	1921	930	0.62	1786	870	0.50	1645	810	0.40
0.3	-	-	-	2094	1045	0.85	1966	990	0.72	1828	930	0.59	1684	870	0.47	1531	810	0.37
0.4	2142	1105	0.97	2012	1045	0.81	1876	990	0.68	1730	930	0.55	1574	870	0.44	-	-	-
0.5	2063	1105	0.93	1926	1045	0.78	1781	990	0.64	1624	930	0.51	-	-	-	-	-	-
0.6	1980	1105	0.89	1834	1045	0.74	1680	990	0.60	1508	930	0.48	-	-	-	-	-	-
0.7	1892	1105	0.85	1737	1045	0.69	1570	990	0.56	-	-	-	-	-	-	-	-	-
0.8	1799	1105	0.80	1632	1045	0.65	-	-	-	-	-	-	-	-	-	-	-	-

DBH060*C High-Static Belt-Drive Horizontal

ESP, IN H ₂ O	TURNS OPEN																	
	0			1			2			3			4			5		
	CFM	RPM	BHP	CFM	RPM	BHP	CFM	RPM	BHP	CFM	RPM	BHP	CFM	RPM	BHP	CFM	RPM	BHP
0.6	-	-	-	-	-	-	2421	1310	1.55	2297	1245	1.32	2161	1180	1.11	2016	1115	0.92
0.7	-	-	-	-	-	-	2357	1310	1.50	2227	1245	1.27	2083	1180	1.07	1930	1115	0.88
0.8	-	-	-	-	-	-	2291	1310	1.45	2154	1245	1.23	2002	1180	1.02	1839	1115	0.84
0.9	-	-	-	-	-	-	2222	1310	1.40	2078	1245	1.18	1917	1180	0.98	1741	1115	0.79
1.0	-	-	-	-	-	-	2150	1310	1.36	1999	1245	1.13	1826	1180	0.93	1637	1115	0.75
1.1	-	-	-	-	-	-	2076	1310	1.31	1915	1245	1.09	1730	1180	0.88	1522	1115	0.70
1.2	-	-	-	2167	1375	1.50	1998	1310	1.26	1826	1245	1.04	1626	1180	0.83	-	-	-
1.3	-	-	-	2094	1375	1.45	1916	1310	1.21	1731	1245	0.99	1512	1180	0.78	-	-	-
1.4	-	-	-	2018	1375	1.40	1829	1310	1.15	1629	1245	0.93	-	-	-	-	-	-
1.5	-	-	-	1937	1375	1.34	1736	1310	1.10	1518	1245	0.88	-	-	-	-	-	-
1.6	-	-	-	1852	1375	1.29	1636	1310	1.04	-	-	-	-	-	-	-	-	-
1.7	1976	1440	1.51	1761	1375	1.23	1527	1310	0.99	-	-	-	-	-	-	-	-	-
1.8	1894	1440	1.45	1664	1375	1.17	-	-	-	-	-	-	-	-	-	-	-	-

¹To operate below 0.6" H₂O external static pressure, motor and blower sheave must be changed to VL34 and AK59 respectively, or equivalents.

Electrical Data

Model Number	Electrical Rating	Compressor			Outdoor Fan Motor			Indoor Fan Motor			Optional Electric Heat			Optional Powered Convenience Outlet	Optional Power Exhaust	Power Supply	
		QTY	RLA	LRA	QTY	HP	FLA	TYPE	HP	FLA	PART #	KW*	FLA	FLA	FLA	MCA	MOP
DBH0363B	208/230/3/60	1	10.45	73	1	0.17	0.95	Belt-Drive Standard Static	1	3.4	-	-	-	-	-	17.4/17.4	25/25
											-	-	-	9.6/8.7	-	27.0/26.1	35/35
											-	-	-	-	1.7/1.5	19.1/18.9	25/25
											-	-	-	9.6/8.7	1.7/1.5	28.7/27.6	35/35
											EH*B-3S05	3.76/5.00	10.4/12.0	-	-	30.4/32.4	35/35
														9.6/8.7	-	40.0/41.1	45/45
														-	1.7/1.5	32.1/33.9	35/35
											EH*B-3S10	7.51/10.0	20.8/24.1	9.6/8.7	1.7/1.5	41.7/42.6	45/45
														-	-	43.5/47.5	45/50
														9.6/8.7	-	53.1/56.2	60/60
											EH*B-3S15	11.3/15.0	31.3/36.1	-	1.7/1.5	45.2/49.0	50/50
														9.6/8.7	1.7/1.5	54.8/57.7	60/60
														-	-	56.5/62.5	60/70
											-	-	-	9.6/8.7	-	66.1/71.2	70/80
											-	-	-	-	1.7/1.5	58.2/64.0	60/70
-	-	-	9.6/8.7	1.7/1.5	67.8/72.7	70/80											
DBH0363C	208/230/3/60	1	10.45	73	1	0.17	0.95	Belt-Drive High-Static	1	3.4	-	-	-	-	-	17.4/17.4	25/25
											-	-	-	9.6/8.7	-	27.0/26.1	35/35
											-	-	-	-	1.7/1.5	19.1/18.9	25/25
											-	-	-	9.6/8.7	1.7/1.5	28.7/27.6	35/35
											EH*B-3S05	3.76/5.00	10.4/12.0	-	-	30.4/32.4	35/35
														9.6/8.7	-	40.0/41.1	45/45
														-	1.7/1.5	32.1/33.9	35/35
											EH*B-3S10	7.51/10.0	20.8/24.1	9.6/8.7	1.7/1.5	41.7/42.6	45/45
														-	-	43.5/47.5	45/50
														9.6/8.7	-	53.1/56.2	60/60
											EH*B-3S15	11.3/15.0	31.3/36.1	-	1.7/1.5	45.2/49.0	50/50
														9.6/8.7	1.7/1.5	54.8/57.7	60/60
														-	-	56.5/62.5	60/70
											-	-	-	9.6/8.7	-	66.1/71.2	70/80
											-	-	-	-	1.7/1.5	58.2/64.0	60/70
-	-	-	9.6/8.7	1.7/1.5	67.8/72.7	70/80											
DBH0364B	460/3/60	1	5.77	38	1	0.17	0.48	Belt-Drive Standard Static	1	1.7	-	-	-	-	-	9.39	15
											-	-	-	4.3	-	13.7	15
											-	-	-	-	0.5	9.89	15
											-	-	-	4.3	0.5	14.2	15
											EH*B-4S05	5	6.01	-	-	16.9	20
														4.3	-	21.2	25
														-	0.5	17.4	20
											EH*B-4S10	10	12	4.3	0.5	21.7	25
														-	-	24.4	25
														4.3	-	28.7	30
											EH*B-4S15	15	18	-	0.5	24.9	25
														4.3	0.5	29.2	30
														-	-	31.9	35
											-	-	-	4.3	-	36.2	40
											-	-	-	4.3	0.5	32.4	35
-	-	-	-	-	36.7	40											
-	-	-	-	-	9.39	15											
DBH0364C	460/3/60	1	5.77	38	1	0.17	0.48	Belt-Drive High-Static	1	1.7	-	-	-	-	-	9.39	15
											-	-	-	4.3	-	13.7	15
											-	-	-	-	0.5	9.89	15
											-	-	-	4.3	0.5	14.2	15
											EH*B-4S05	5	6.01	-	-	16.9	20
														4.3	-	21.2	25
														-	0.5	17.4	20
											EH*B-4S10	10	12	4.3	0.5	21.7	25
														-	-	24.4	25
														4.3	-	28.7	30
											EH*B-4S15	15	18	-	0.5	24.9	25
														4.3	0.5	29.2	30
														-	-	31.9	35
											-	-	-	4.3	-	36.2	40
											-	-	-	4.3	0.5	32.4	35
-	-	-	-	-	36.7	40											
-	-	-	-	-	9.39	15											

Electrical Data

Model Number	Electrical Rating	Compressor			Outdoor Fan Motor			Indoor Fan Motor			Optional Electric Heat			Optional Powered Convenience Outlet	Optional Power Exhaust	Power Supply	
		QTY	RLA	LRA	QTY	HP	FLA	TYPE	HP	FLA	PART #	KW*	FLA	FLA	FLA	MCA	MOP
DBH0367B	575/3/60	1	3.78	36.5	1	0.17	0.39	Belt-Drive Standard Static	1.5	2.3	-	-	-	-	-	7.42	15
											-	-	-	3.5	-	10.9	15
											-	-	-	-	0.6	8.02	15
											-	-	-	3.5	0.6	11.5	15
											EH*B-7S05	5	4.81	-	-	13.4	15
														3.5	-	16.9	20
														-	0.6	14	15
											3.5	0.6	17.5	20			
											EH*B-7S10	10	9.62	-	-	19.4	20
														3.5	-	22.9	25
														-	0.6	20	25
											3.5	0.6	23.5	25			
											EH*B-7S15	15	14.4	-	-	25.5	30
														3.5	-	29	30
														-	0.6	26.1	30
3.5	0.6	29.6	30														
DBH0367C	575/3/60	1	3.78	36.5	1	0.17	0.39	Belt-Drive High-Static	1.5	2.3	-	-	-	-	-	7.42	15
											-	-	-	3.5	-	10.9	15
											-	-	-	-	0.6	8.02	15
											-	-	-	3.5	0.6	11.5	15
											EH*B-7S05	5	4.81	-	-	13.4	15
														3.5	-	16.9	20
														-	0.6	14	15
											3.5	0.6	17.5	20			
											EH*B-7S10	10	9.62	-	-	19.4	20
														3.5	-	22.9	25
														-	0.6	20	25
											3.5	0.6	23.5	25			
											EH*B-7S15	15	14.4	-	-	25.5	30
														3.5	-	29	30
														-	0.6	26.1	30
3.5	0.6	29.6	30														
DBH0483B	208/230/3/60	1	13.14	83.1	1	0.25	1.4	Belt-Drive Standard Static	1	3.4	-	-	-	-	-	21.2/21.2	30/30
											-	-	-	9.6/8.7	-	30.8/29.9	40/40
											-	-	-	-	1.7/1.5	22.9/22.7	30/30
											-	-	-	9.6/8.7	1.7/1.5	32.5/31.4	40/40
											EH*B-3S05	3.76/5.00	10.4/12.0	-	-	34.3/36.3	40/45
														9.6/8.7	-	43.9/45.0	50/50
														-	1.7/1.5	36.0/37.8	40/45
											9.6/8.7	1.7/1.5	45.6/46.5	50/50			
											EH*B-3S10	7.51/10.0	20.8/24.1	-	-	47.3/51.3	50/60
														9.6/8.7	-	56.9/60.0	60/60
														-	1.7/1.5	49.0/52.8	50/60
											9.6/8.7	1.7/1.5	58.6/61.5	60/70			
											EH*B-3S15	11.3/15.0	31.3/36.1	-	-	60.3/66.3	70/70
														9.6/8.7	-	69.9/75.0	70/80
														-	1.7/1.5	62.0/67.8	70/70
											9.6/8.7	1.7/1.5	71.6/76.5	80/80			
											EH*B-3S18	13.5/18.0	37.5/43.3	-	-	68.1/75.4	70/80
														9.6/8.7	-	77.7/84.1	80/90
														-	1.7/1.5	69.8/76.9	70/80
											9.6/8.7	1.7/1.5	79.4/85.6	80/90			
											EH*B-3S20	15.0/19.9	41.5/47.9	-	-	73.1/81.1	80/90
														9.6/8.7	-	82.7/89.8	90/90
														-	1.7/1.5	74.8/82.6	80/90
											9.6/8.7	1.7/1.5	84.4/91.3	90/100			

Electrical Data

Model Number	Electrical Rating	Compressor			Outdoor Fan Motor			Indoor Fan Motor			Optional Electric Heat			Optional Powered Convenience Outlet		Optional Power Exhaust		Power Supply										
		QTY	RLA	LRA	QTY	HP	FLA	TYPE	HP	FLA	PART #	KW*	FLA	FLA	FLA	MCA	MOP											
DBH0483C	208/230/3/60	1	13.14	83.1	1	0.25	1.4	Belt-Drive High-Static	1.5	4.8	-	-	-	-	-	22.6/22.6	35/35											
											-	-	-	9.6/8.7	-	32.2/31.3	45/40											
											-	-	-	-	1.7/1.5	24.3/24.1	35/35											
											-	-	-	9.6/8.7	1.7/1.5	33.9/32.8	45/40											
											EH*B-3S05	3.76/5.00	10.4/12.0	-	-	35.7/37.7	45/45											
														9.6/8.7	-	45.3/46.4	50/50											
														-	1.7/1.5	37.4/39.2	45/45											
														9.6/8.7	1.7/1.5	47.0/47.9	50/50											
														-	-	48.7/52.7	50/60											
														9.6/8.7	-	58.3/61.4	60/70											
											EH*B-3S10	7.51/10.0	20.8/24.1	-	1.7/1.5	50.4/54.2	60/60											
														9.6/8.7	1.7/1.5	60.0/62.9	60/70											
														-	-	61.7/67.7	70/70											
														9.6/8.7	-	71.3/76.4	80/80											
											EH*B-3S15	11.3/15.0	31.3/36.1	-	1.7/1.5	63.4/69.2	70/70											
														9.6/8.7	1.7/1.5	73.0/77.9	80/80											
														-	-	69.5/76.8	70/80											
														9.6/8.7	-	79.1/85.5	80/90											
											EH*B-3S18	13.5/18.0	37.5/43.3	-	1.7/1.5	71.2/78.3	80/80											
														9.6/8.7	1.7/1.5	80.8/87.0	90/90											
														-	-	74.5/82.5	80/90											
														9.6/8.7	-	84.1/91.2	90/100											
											EH*B-3S20	15.0/19.9	41.5/47.9	-	1.7/1.5	76.2/84.0	80/90											
														9.6/8.7	1.7/1.5	85.8/92.7	90/100											
-	-	10	15																									
-	-	4.3	-	14.3	20																							
DBH0484B	460/3/60	1	6.09	41	1	0.25	0.7	Belt-Drive Standard Static	1	1.7	-	-	-	-	0.5	10.5	15											
											-	-	-	4.3	0.5	14.8	20											
											EH*B-4S05	5	6.01	-	-	17.5	20											
														4.3	-	21.8	25											
														-	0.5	18	20											
														4.3	0.5	22.3	25											
											EH*B-4S10	10	12	-	-	25	30											
														4.3	-	29.3	30											
														-	0.5	25.5	30											
														4.3	0.5	29.8	30											
											EH*B-4S15	15	18	-	-	32.6	35											
														4.3	-	36.9	40											
														-	0.5	33.1	35											
														4.3	0.5	37.4	40											
											EH*B-4S18	18	21.7	-	-	37.1	40											
														4.3	-	41.4	45											
														-	0.5	37.6	40											
														4.3	0.5	41.9	45											
											EH*B-4S20	20	24.1	-	-	40.1	45											
														4.3	-	44.4	45											
														-	0.5	40.6	45											
														4.3	0.5	44.9	45											
											DBH0484C	460/3/60	1	6.09	41	1	0.25	0.7	Belt-Drive High-Static	1.5	2.4	-	-	-	-	0.5	11.2	15
																						-	-	-	4.3	0.5	15.5	20
EH*B-4S05	5	6.01	-	-	18.2	20																						
			4.3	-	22.5	25																						
			-	0.5	18.7	20																						
			4.3	0.5	23	25																						
EH*B-4S10	10	12	-	-	25.7	30																						
			4.3	-	30	35																						
			-	0.5	26.2	30																						
			4.3	0.5	30.5	35																						
EH*B-4S15	15	18	-	-	33.3	35																						
			4.3	-	37.6	40																						
			-	0.5	33.8	35																						
			4.3	0.5	38.1	40																						
EH*B-4S18	18	21.7	-	-	37.8	40																						
			4.3	-	42.1	45																						
			-	0.5	38.3	40																						
			4.3	0.5	42.6	45																						
EH*B-4S20	20	24.1	-	-	40.8	45																						
			4.3	-	45.1	50																						
			-	0.5	41.3	45																						
			4.3	0.5	45.6	50																						

Electrical Data

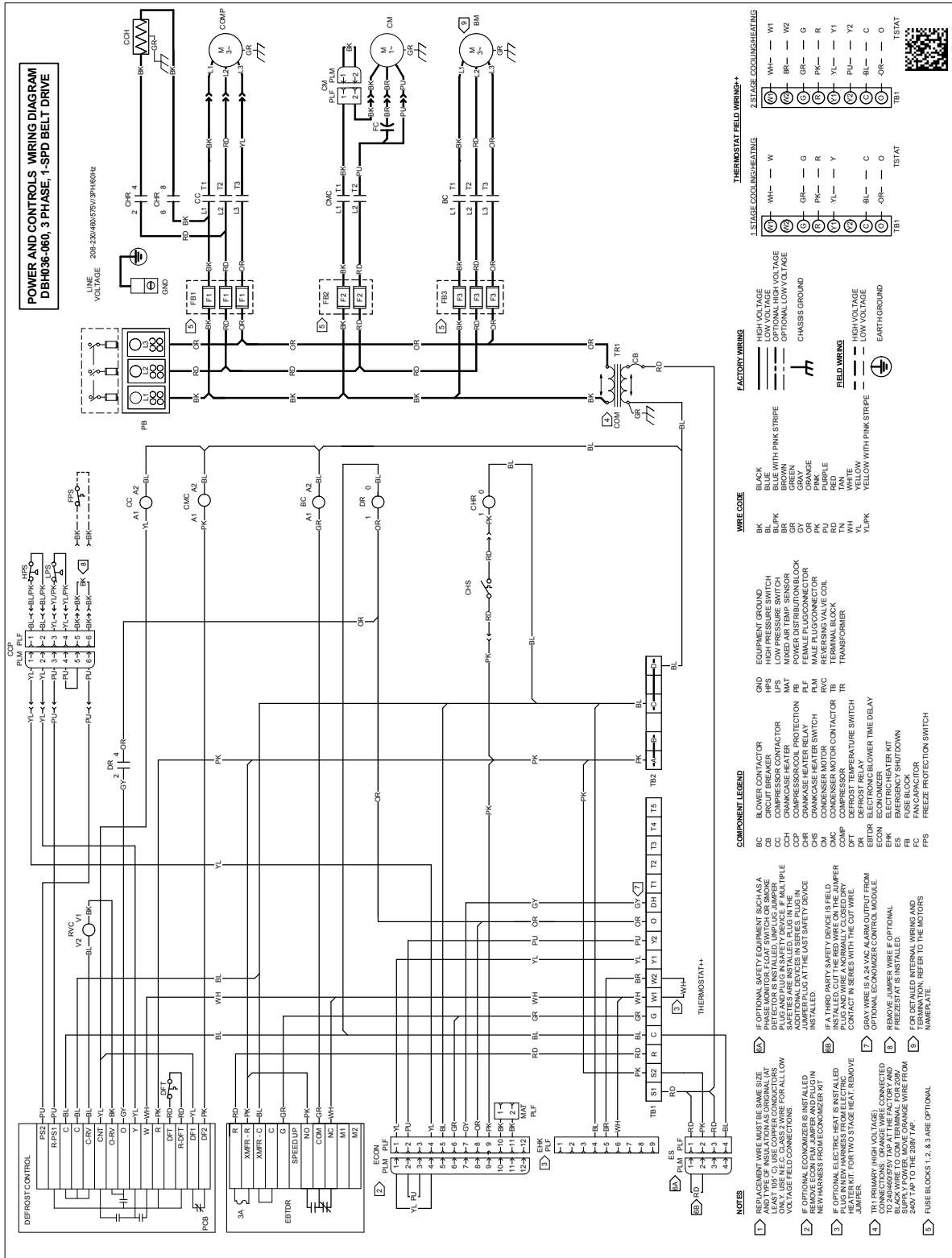
Model Number	Electrical Rating	Compressor			Outdoor Fan Motor			Indoor Fan Motor			Optional Electric Heat			Optional Powered Convenience Outlet		Optional Power Exhaust		Power Supply	
		QTY	RLA	LRA	QTY	HP	FLA	TYPE	HP	FLA	PART #	KW*	FLA	FLA	FLA	MCA	MOP		
DBH0487B	575/3/60	1	4.36	33	1	0.25	0.55	Belt-Drive Standard Static	1.5	2.3	-	-	-	-	-	8.3	15		
											-	-	-	3.5	-	11.8	15		
											-	-	-	-	-	8.9	15		
											-	-	-	3.5	0.6	12.4	15		
											EH*B-7S05	5	4.81	-	-	14.3	15		
														3.5	-	17.8	20		
														-	0.6	14.9	15		
														3.5	0.6	18.4	20		
														-	-	20.3	25		
											EH*B-7S10	10	9.62	3.5	-	23.8	25		
														-	0.6	20.9	25		
														3.5	0.6	24.4	25		
											EH*B-7S15	15	14.4	-	-	26.3	30		
														3.5	-	29.8	30		
														-	0.6	26.9	30		
											EH*B-7S18	18	17.3	3.5	0.6	30.4	35		
														-	-	29.9	30		
														3.5	-	33.4	35		
											EH*B-7S20	20	19.2	-	0.6	30.5	35		
														3.5	0.6	34	35		
-	-	32.4	35																
3.5	-	35.9	40																
-	0.6	33	35																
-	3.5	0.6	36.5	40															
DBH0487C	575/3/60	1	4.36	33	1	0.25	0.55	Belt-Drive High-Static	1.5	2.3	-	-	-	-	-	8.3	15		
											-	-	-	3.5	-	11.8	15		
											-	-	-	-	-	8.9	15		
											-	-	-	3.5	0.6	12.4	15		
											EH*B-7S05	5	4.81	-	-	14.3	15		
														3.5	-	17.8	20		
														-	0.6	14.9	15		
														3.5	0.6	18.4	20		
														-	-	20.3	25		
											EH*B-7S10	10	9.62	3.5	-	23.8	25		
														-	0.6	20.9	25		
														3.5	0.6	24.4	25		
											EH*B-7S15	15	14.4	-	-	26.3	30		
														3.5	-	29.8	30		
														-	0.6	26.9	30		
											EH*B-7S18	18	17.3	3.5	0.6	30.4	35		
														-	-	29.9	30		
														3.5	-	33.4	35		
											EH*B-7S20	20	19.2	-	0.6	30.5	35		
														3.5	0.6	34	35		
-	-	32.4	35																
3.5	-	35.9	40																
-	0.6	33	35																
-	3.5	0.6	36.5	40															
DBH0603B	208/230/3/60	1	15.90	110	1	0.33	2.3	Belt-Drive Standard Static	1	3.2	-	-	-	-	-	25.4/25.4	40/40		
											-	-	-	9.6/8.7	-	35.0/34.1	50/45		
											-	-	-	-	1.7/1.5	27.1/26.9	40/40		
											-	-	-	9.6/8.7	1.7/1.5	36.7/35.6	50/45		
											EH*B-3S05	3.76/5.00	10.4/12.0	-	-	38.4/40.4	50/50		
														9.6/8.7	-	48.0/49.1	60/60		
														-	1.7/1.5	40.1/41.9	50/50		
														9.6/8.7	1.7/1.5	49.7/50.6	60/60		
														-	-	51.4/55.4	60/60		
											EH*B-3S10	7.51/10.0	20.8/24.1	9.6/8.7	-	61.0/64.1	70/70		
														-	1.7/1.5	53.1/56.9	60/60		
														9.6/8.7	1.7/1.5	62.7/65.6	70/70		
											EH*B-3S15	11.3/15.0	31.3/36.1	-	-	64.5/70.5	70/80		
														9.6/8.7	-	74.1/79.2	80/80		
														-	1.7/1.5	66.2/72.0	70/80		
											EH*B-3S18	13.5/18.0	37.5/43.3	9.6/8.7	1.7/1.5	75.8/80.7	80/90		
														-	-	72.3/79.5	80/80		
														9.6/8.7	-	81.9/88.2	90/90		
											EH*B-3S20	15.0/19.9	41.5/47.9	-	1.7/1.5	74.0/81.0	80/90		
														9.6/8.7	1.7/1.5	83.6/89.7	90/90		
-	-	77.2/85.2	80/90																
9.6/8.7	-	86.8/93.9	90/100																
-	1.7/1.5	78.9/86.7	80/90																
-	9.6/8.7	1.7/1.5	88.5/95.4	90/100															

Electrical Data

Model Number	Electrical Rating	Compressor			Outdoor Fan Motor			Indoor Fan Motor			Optional Electric Heat			Optional Powered Convenience Outlet	Optional Power Exhaust	Power Supply								
		QTY	RLA	LRA	QTY	HP	FLA	TYPE	HP	FLA	PART #	KW*	FLA	FLA	FLA	MCA	MOP							
DBH0603C	208/230/3/60	1	15.90	110	1	0.33	2.3	Belt-Drive High-Static	1.5	4.8	-	-	-	-	-	27.0/27.0	40/40							
											-	-	-	9.6/8.7	-	-	36.6/35.7	50/50						
											-	-	-	-	-	-	-	1.7/1.5	-	-	28.7/28.5	40/40		
											-	-	-	9.6/8.7	1.7/1.5	-	-	-	-	-	38.3/37.2	50/50		
											EH*B-3S05	3.76/5.00	10.4/12.0	-	-	-	-	-	-	-	-	40.0/42.0	50/50	
														9.6/8.7	-	-	-	-	-	49.6/50.7	60/60			
														-	1.7/1.5	-	-	-	-	41.7/43.5	50/50			
														9.6/8.7	1.7/1.5	-	-	-	-	51.3/52.2	60/60			
											EH*B-3S10	7.51/10.0	20.8/24.1	-	-	-	-	-	-	-	-	53.0/57.0	60/60	
														9.6/8.7	-	-	-	-	-	62.6/65.7	70/70			
														-	1.7/1.5	-	-	-	-	54.7/58.5	60/60			
														9.6/8.7	1.7/1.5	-	-	-	-	64.3/67.2	70/70			
											EH*B-3S15	11.3/15.0	31.3/36.1	-	-	-	-	-	-	-	-	66.1/72.1	70/80	
														9.6/8.7	-	-	-	-	-	75.7/80.8	80/90			
														-	1.7/1.5	-	-	-	-	67.8/73.6	70/80			
														9.6/8.7	1.7/1.5	-	-	-	-	77.4/82.3	80/90			
											EH*B-3S18	13.5/18.0	37.5/43.3	-	-	-	-	-	-	-	-	73.9/81.1	80/90	
														9.6/8.7	-	-	-	-	-	83.5/89.8	90/90			
														-	1.7/1.5	-	-	-	-	75.6/82.6	80/90			
														9.6/8.7	1.7/1.5	-	-	-	-	85.2/91.3	90/100			
EH*B-3S20	15.0/19.9	41.5/47.9	-	-	-	-	-	-	-	-	78.8/86.8	80/90												
			9.6/8.7	-	-	-	-	-	88.4/95.5	90/100														
			-	1.7/1.5	-	-	-	-	80.5/88.3	90/90														
			9.6/8.7	1.7/1.5	-	-	-	-	90.1/97.0	100/100														
DBH0604B	460/3/60	1	7.05	52	1	0.33	1.1	Belt-Drive Standard Static	1	1.5	-	-	-	-	-	11.4	15							
											-	-	-	4.3	-	-	15.7	20						
											-	-	-	-	-	-	-	0.5	-	-	11.9	15		
											-	-	-	4.3	0.5	-	-	-	-	-	16.2	20		
											EH*B-4S05	5	6.01	-	-	-	-	-	-	-	-	-	18.9	20
														4.3	-	-	-	-	-	-	23.2	25		
														-	0.5	-	-	-	-	-	19.4	20		
														4.3	0.5	-	-	-	-	-	23.7	25		
											EH*B-4S10	10	12	-	-	-	-	-	-	-	-	-	26.4	30
														4.3	-	-	-	-	-	-	30.7	35		
														-	0.5	-	-	-	-	-	26.9	30		
														4.3	0.5	-	-	-	-	-	31.2	35		
											EH*B-4S15	15	18	-	-	-	-	-	-	-	-	-	34	35
														4.3	-	-	-	-	-	-	38.3	40		
														-	0.5	-	-	-	-	-	34.5	35		
														4.3	0.5	-	-	-	-	-	38.8	40		
											EH*B-4S18	18	21.7	-	-	-	-	-	-	-	-	-	38.5	40
														4.3	-	-	-	-	-	-	42.8	45		
														-	0.5	-	-	-	-	-	39	40		
														4.3	0.5	-	-	-	-	-	43.3	45		
EH*B-4S20	20	24.1	-	-	-	-	-	-	-	-	-	41.5	45											
			4.3	-	-	-	-	-	-	45.8	50													
			-	0.5	-	-	-	-	-	42	45													
			4.3	0.5	-	-	-	-	-	46.3	50													
DBH0604C	460/3/60	1	7.05	52	1	0.33	1.1	Belt-Drive High-Static	1.5	2.4	-	-	-	-	-	12.3	15							
											-	-	-	4.3	-	-	-	16.6	20					
											-	-	-	-	-	-	-	0.5	-	-	12.8	15		
											-	-	-	4.3	0.5	-	-	-	-	-	17.1	20		
											EH*B-4S05	5	6.01	-	-	-	-	-	-	-	-	-	19.8	25
														4.3	-	-	-	-	-	-	24.1	25		
														-	0.5	-	-	-	-	-	20.3	25		
														4.3	0.5	-	-	-	-	-	24.6	25		
											EH*B-4S10	10	12	-	-	-	-	-	-	-	-	-	27.3	30
														4.3	-	-	-	-	-	-	31.6	35		
														-	0.5	-	-	-	-	-	27.8	30		
														4.3	0.5	-	-	-	-	-	32.1	35		
											EH*B-4S15	15	18	-	-	-	-	-	-	-	-	-	34.9	35
														4.3	-	-	-	-	-	-	39.2	40		
														-	0.5	-	-	-	-	-	35.4	40		
														4.3	0.5	-	-	-	-	-	39.7	40		
											EH*B-4S18	18	21.7	-	-	-	-	-	-	-	-	-	39.4	40
														4.3	-	-	-	-	-	-	43.7	45		
														-	0.5	-	-	-	-	-	39.9	40		
														4.3	0.5	-	-	-	-	-	44.2	45		
EH*B-4S20	20	24.1	-	-	-	-	-	-	-	-	-	42.4	45											
			4.3	-	-	-	-	-	-	46.7	50													
			-	0.5	-	-	-	-	-	42.9	45													
			4.3	0.5	-	-	-	-	-	47.2	50													

Electrical Data

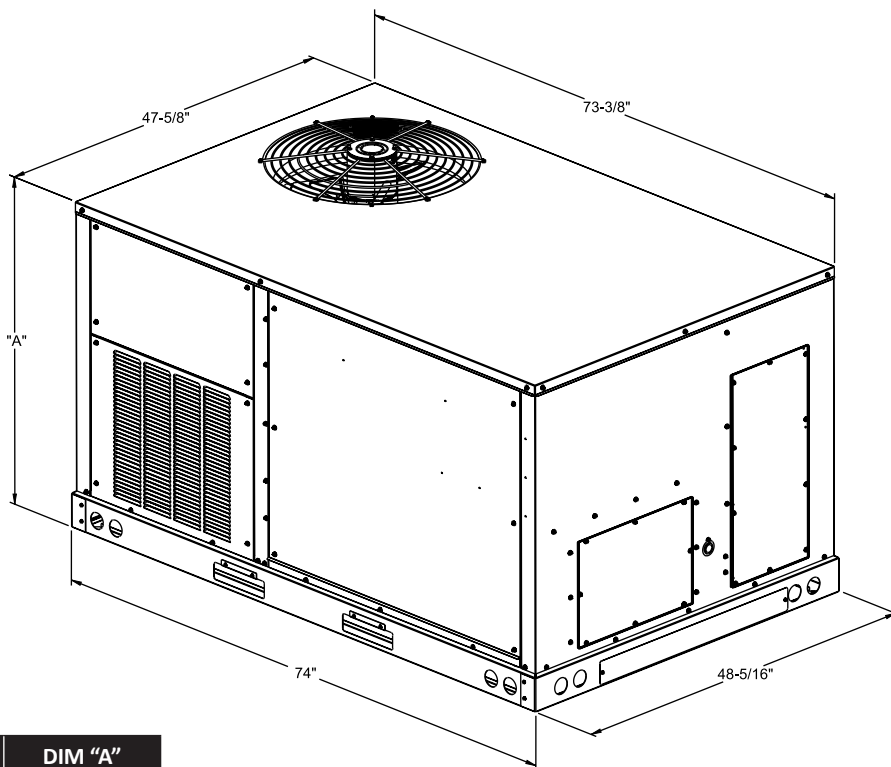
Model Number	Electrical Rating	Compressor			Outdoor Fan Motor			Indoor Fan Motor			Optional Electric Heat			Optional Powered Convenience Outlet	Optional Power Exhaust	Power Supply		
		QTY	RLA	LRA	QTY	HP	FLA	TYPE	HP	FLA	PART #	KW*	FLA	FLA	FLA	MCA	MOP	
DBH0607B	575/3/60	1	5.13	39.5	1	0.33	0.9	Belt-Drive Standard Static	1	1.2	-	-	-	-	-	8.51	15	
											-	-	-	3.5	-	12	15	
											-	-	-	-	-	0.6	9.11	15
											-	-	-	3.5	0.6	12.6	15	
											-	-	-	-	-	14.5	15	
											EH*B-7S05	5	4.81	3.5	-	18	20	
														-	0.6	15.1	20	
														3.5	0.6	18.6	20	
											EH*B-7S10	10	9.62	-	-	20.5	25	
														3.5	-	24	25	
														-	0.6	21.1	25	
											EH*B-7S15	15	14.4	3.5	0.6	24.6	25	
														-	-	26.6	30	
														3.5	-	30.1	35	
											EH*B-7S18	18	17.3	-	0.6	27.2	30	
														3.5	0.6	30.7	35	
														-	-	30.2	35	
											EH*B-7S20	20	19.2	3.5	-	33.7	35	
														-	0.6	30.8	35	
														3.5	0.6	34.3	35	
DBH0607C	575/3/60	1	5.13	39.5	1	0.33	0.9	Belt-Drive High-Static	1.5	2.3	-	-	-	-	-	9.61	15	
											-	-	-	3.5	-	13.1	15	
											-	-	-	-	-	0.6	10.2	15
											-	-	-	3.5	0.6	13.7	15	
											-	-	-	-	-	15.6	20	
											EH*B-7S05	5	4.81	3.5	-	19.1	20	
														-	0.6	16.2	20	
														3.5	0.6	19.7	20	
											EH*B-7S10	10	9.62	-	-	21.6	25	
														3.5	-	25.1	30	
														-	0.6	22.2	25	
											EH*B-7S15	15	14.4	3.5	0.6	25.7	30	
														-	-	27.7	30	
														3.5	-	31.2	35	
											EH*B-7S18	18	17.3	-	0.6	28.3	30	
														3.5	0.6	31.8	35	
														-	-	31.3	35	
											EH*B-7S20	20	19.2	3.5	-	34.8	35	
														-	0.6	31.9	35	
														3.5	0.6	35.4	40	
EH*B-7S20	20	19.2	-	-	33.7	35												
			3.5	-	37.2	40												
			-	0.6	34.3	35												
			3.5	0.6	37.8	40												



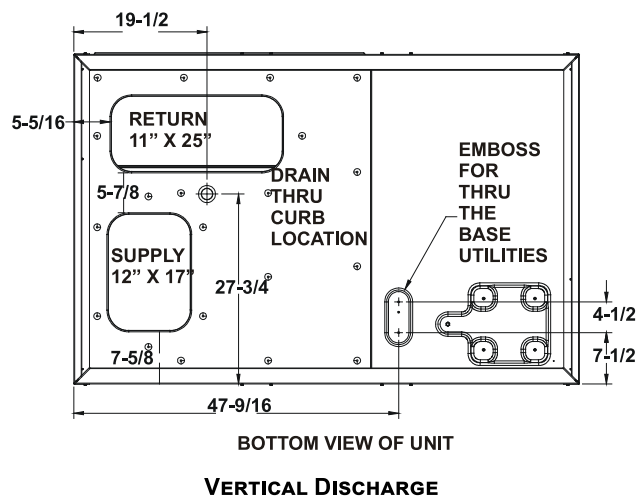
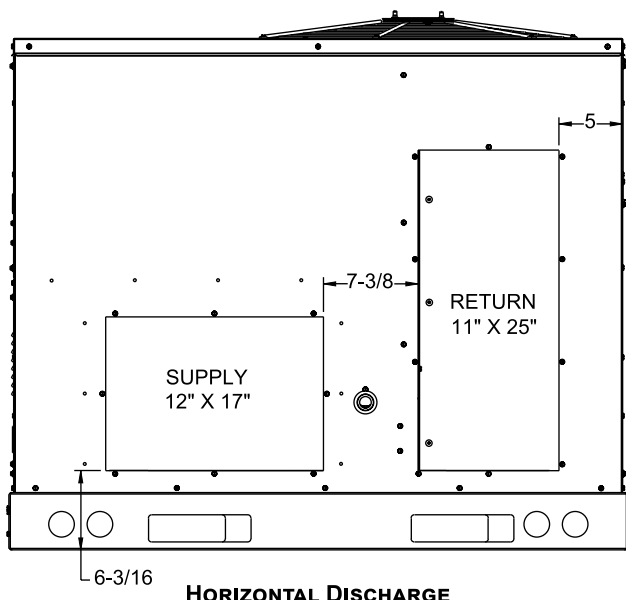
WARNING

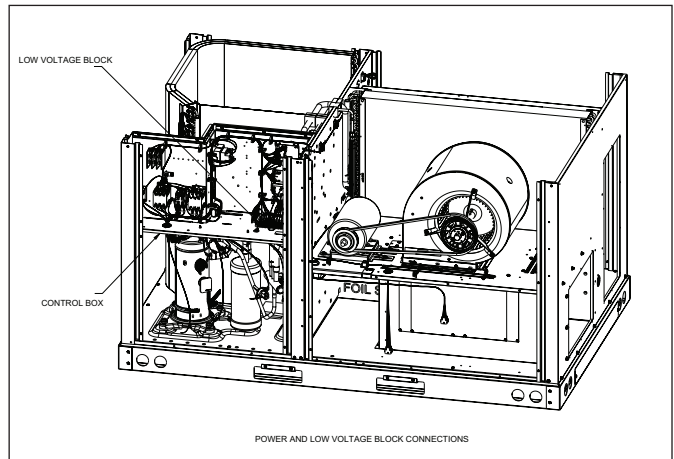
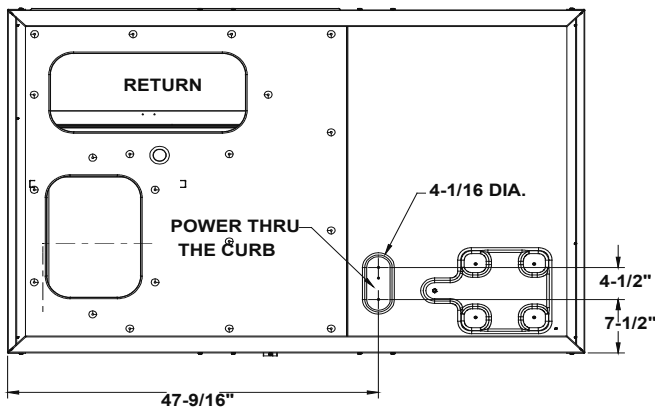
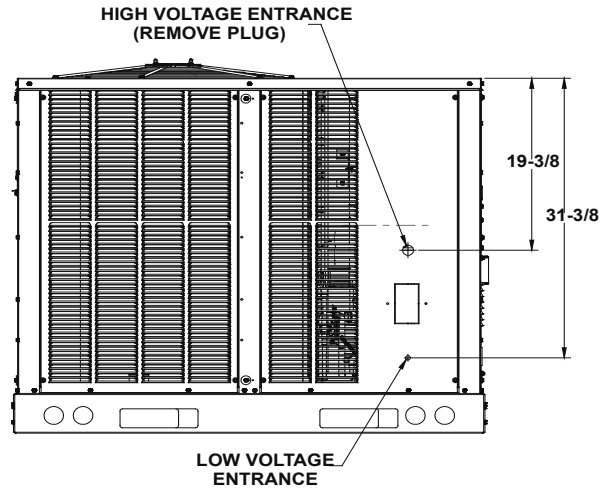
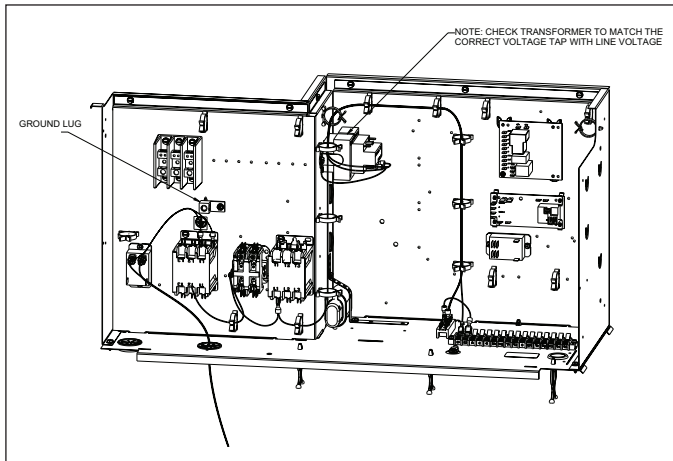
High Voltage: Disconnect all power before servicing or installing this unit. Multiple power sources may be present. Failure to do so may cause property damage, personal injury, or death.

Wiring is subject to change. Always refer to the wiring diagram on the unit for the most up-to-date wiring.



Model Size	DIM "A"
3-4 ton HP	39 $\frac{7}{8}$ "
5 ton HP	43 $\frac{1}{2}$ "

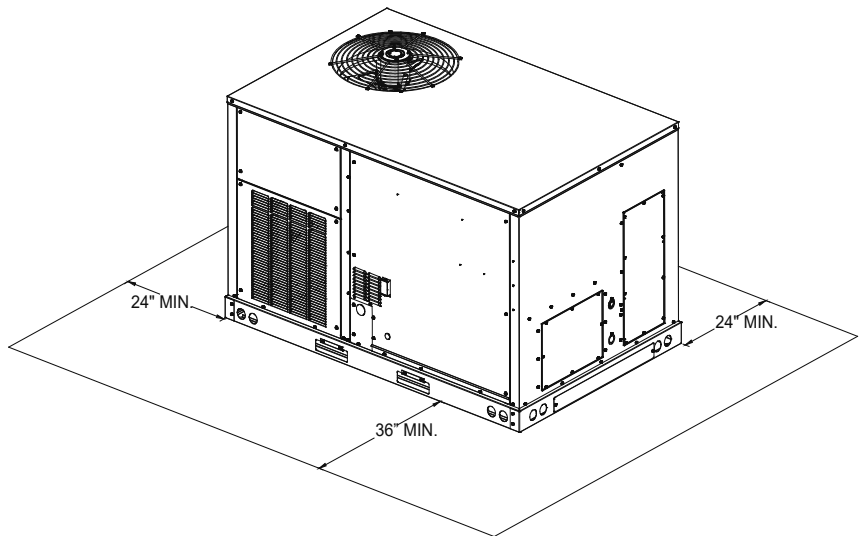




Unit Clearances

Service Clearance

Allow for recommended service clearances as shown in figure to the right. In situations that have multiple units, a 36" minimum clearance is required between the condenser coils. A clearance of 48" is recommended on all sides of the unit to allow service access and to ensure proper ventilation and condenser airflow. The top of the unit should be unobstructed. Provide a roof walkway along the sides of the unit for service and access to controls and components. Contact your Daikin sales representative for service requirements less than those recommended.



Unit Location

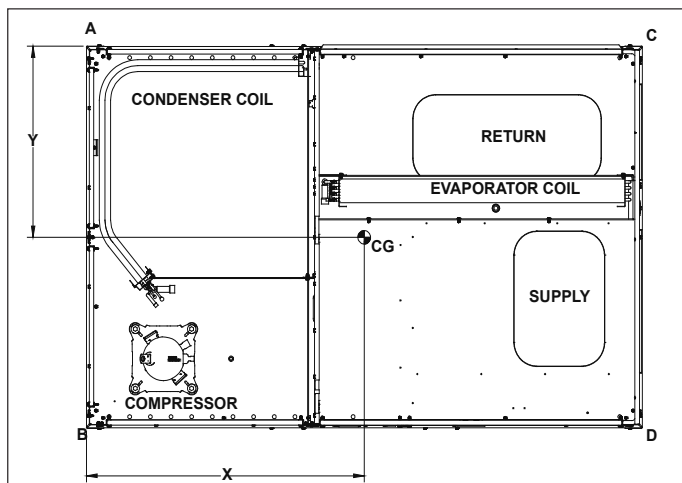
The structural engineer must verify that the roof has adequate support and ability to minimize deflection. Take extreme caution when using on a wooden roof structure. Unit condenser coils should be in a location that avoids any heated exhaust air.

Allow sufficient space around the unit for maintenance/service clearance. Consult your Daikin sales representative if available clearances do not meet minimum recommendations.

Where code considerations, such as the NEC, require extended clearances, these take precedence.

Provisions for forks have been included in the unit base frame. No other fork locations are approved.

- » Unit must be lifted by the four lifting holes located at the base frame corners.
- » Lifting cables should be attached to the unit with shackles.
- » The distance between the crane hook and the top of the unit must not be less than 60".
- » Two spreader bars must span over the unit to prevent damage to the cabinet by the lift cables. Spreader bars must be of sufficient length so that cables do not come in contact with the unit during transport. Remove wood struts mounted beneath unit base



CORNER & CENTER-OF-GRAVITY LOCATIONS

frame before setting unit on roof curb. These struts are intended to protect unit base frame from forklift damage. To remove the struts, extract the sheet metal retainers and pull the struts through the base of the unit. Refer to rigging label on the unit.

Important: If using bottom discharge with roof curb, ductwork should be attached to the curb prior to installing the unit. Refer to the Roof Curb Installation Instructions for proper curb installation. Curbing must be installed in compliance with the National Roofing Contractors Association Manual. Lower unit carefully onto roof mounting curb. While rigging the unit, the center of gravity will cause the condenser end to be lower than the supply air end. Bring condenser end of unit into alignment with the curb. With condenser end of the unit resting on curb member and using curb as a fulcrum, lower opposite end of the unit until entire unit is seated on the curb. When a rectangular cantilever curb is used, take care to center the unit. Check for proper alignment and orientation of supply and return openings with duct.

Roof Curb Installation

The roof curb is field-assembled and must be installed level (within 1/16" per foot side to side). A sub-base must be constructed by the contractor in applications involving pitched roofs. Gaskets are furnished and must be installed between the unit and curb. For proper installation, follow NRCA guidelines. In applications requiring post and rail installation, an I-beam securely mounted on multiple posts should support the unit on each side. In addition, the insulation on the underside of the unit should be protected from the elements. Applications in geographic areas subjected to seismic or hurricane conditions must meet code requirements for fastening the unit to the curb and the curb to the building structure. For further and more detailed information please refer to our Daikin Light Commercial Packaged unit IOD.

Weights

Model	Shipping Weight (lbs)	Operating Weight (lbs)	Corner Weights (lbs)				Length X (in)	Width Y (in)
			A	B	C	D		
DBH0363B000001S	651	605	156	165	112	172	34%	27 $\frac{7}{10}$ %
DBH0364B000001S	656	610	140	180	14	142	35%	26%
DBH0483B000001S	686	640	121	224	150	145	34	27%
DBH0484B000001S	688	642	131	213	142	156	34%	27%
DBH0603B000001S	732	686	234	150	73	229	32 $\frac{1}{2}$ %	26 $\frac{7}{10}$ %
DBH0604B000001S	739	693	108	270	186	129	33 $\frac{1}{2}$ %	27%

Accessories

Field Accessory part number	Description	Fits Model Sizes	Field-Installed	Factory-Installed	Operating Weight (lbs)
Electric Heat Kits					
EHXB-3S05	Electric Heater, Belt-Drive, 208-230V, 3PH, 5kW	3-6 ton	√	√	
EHXB-3S10	Electric Heater, Belt-Drive, 208-230V, 3PH, 10kW	3-6 ton	√	√	
EHXB-3S15	Electric Heater, Belt-Drive, 208-230V, 3PH, 15kW	3-6 ton	√	√	
EHXB-3S18	Electric Heater, Belt-Drive, 208-230V, 3PH, 18kW	4-6 ton	√	√	
EHXB-3S20	Electric Heater, Belt-Drive, 208-230V, 3PH, 20kW	4-6 ton	√	√	
EHXB-4S05	Electric Heater, Belt-Drive, 460V, 3PH, 5kW	3-6 ton	√	√	
EHXB-4S10	Electric Heater, Belt-Drive, 460V, 3PH, 10kW	3-6 ton	√	√	
EHXB-4S15	Electric Heater, Belt-Drive, 460V, 3PH, 15kW	3-6 ton	√	√	
EHXB-4S18	Electric Heater, Belt-Drive, 460V, 3PH, 18kW	4-6 ton	√	√	
EHXB-4S20	Electric Heater, Belt-Drive, 460V, 3PH, 20kW	4-6 ton	√	√	
EHXB-7S05	Electric Heater, Belt-Drive, 575V, 3PH, 5kW	3-6 ton	√	√	
EHXB-7S10	Electric Heater, Belt-Drive, 575V, 3PH, 10kW	3-6 ton	√	√	
EHXB-7S15	Electric Heater, Belt-Drive, 575V, 3PH, 15kW	3-6 ton	√	√	
EHXB-7S18	Electric Heater, Belt-Drive, 575V, 3PH, 18kW	4-6 ton	√	√	
EHXB-7S20	Electric Heater, Belt-Drive, 575V, 3PH, 20kW	4-6 ton	√	√	
Duct Smoke Detectors					
	Duct Smoke Detectors - Return	3-6 ton		√	11
	Duct Smoke Detectors - Supply	3-6 ton		√	11
	Duct Smoke Detectors - Supply and Return	3-6 ton		√	11
Non-Fused Disconnect Switch					
	60 Amp Disconnect	3-6 ton		√	5
	100 Amp Disconnect	3-6 ton		√	5
	150 Amp Disconnect	3-6 ton		√	5
Convenience Outlets					
	Convenience Outlets - Powered, 208/230 V	3-6 ton		√	42
	Convenience Outlets - Powered, 460 V	3-6 ton		√	42
	Convenience Outlets - Powered, 575 V	3-6 ton		√	42
	Convenience Outlets - Non-Powered	3-6 ton		√	2
Hinged Access Panels					
	Hinged Access Panels, 39" cabinet	3-5 ton		√	
	Hinged Access Panels, 43" cabinet	5 ton		√	
Economizer					
0270L01163	Horizontal Economizer Ultra Low-Leak JADE® Dry-Bulb, 39" cabinet	3-4 ton	√		88
0270L01759	Horizontal Economizer Ultra Low-Leak JADE Enthalpy Sensor, 39" cabinet	3-4 ton	√		88
0270L01598	Horizontal Economizer Ultra Low-Leak JADE Dry-Bulb, 43" cabinet	5 ton	√		88
0270L01757	Horizontal Economizer Ultra Low-Leak JADE Enthalpy Sensor, 43" cabinet	5 ton	√		88
0270L01753	Downflow Economizer Standard Low-Leak JADE Ethalpy Sensor	3-5 ton	√	√	65
0270L01755	Downflow Economizer Ultra Low-Leak JADE Ethalpy Sensor	3-5 ton	√	√	65
0270L01156	Downflow Economizer Standard Low-Leak JADE Dry-Bulb	3-5 ton	√	√	65
0270L01158	Downflow Economizer Ultra Low-Leak JADE Dry-Bulb	3-5 ton	√	√	65
Curbs and Restraint Clips					
0221L00014	Roof Curb 14" Tall, Knocked Down	3-5 ton	√		80
0221L00015	Roof Curb 24" Tall, Knocked Down	3-5 ton	√		109
0270L01261	Hold Down Bracket Kit	3-5 ton	√		8
0270L01250	Hold Down Bracket Kit for Daikin roof curb	3-5 ton	√		8
0221L00019	Roof Curb 14" Tall Seismic with Hold Down Brackets, Knocked Down	3-5 ton	√		102
0221L00020	Roof Curb 14" Tall Wind-Rated Hurricane with Hold Down Brackets, Welded	3-5 ton	√		140

Accessories

Field Accessory part number	Description	Fits Model Sizes	Field-Installed	Factory-Installed	Operating Weight (lbs)
Concentrics					
0270L01602	Concentric Diffuser 24 x 48 with 16" Dia. collars	3-5 ton	√		32
0270L01603	Concentric Diffuser 24 x 48 with 18" Dia. collars	3-5 ton	√		35
0270L01335	Concentric Duct Adaptor Kit for 16" Dia. Duct	3-5 ton	√		28
0270L01338	Concentric Duct Adaptor Kit for 18" Dia. Duct	3-5 ton	√		28
Damper					
0270L01165	2 Position Motorized Damper	3-5 ton	√		40
0270L01166	Manual Outdoor Air Damper	3-5 ton	√		24
Hail Guard Kits					
HAILGD036HE	Condenser Coil Hail Guards, 39" cabinet	3-5 ton	√	√	
HAILGD036HE	Condenser Coil Hail Guards, 39" cabinet	3-5 ton	√	√	
High-Efficiency Filters					
0160L00268	High-Efficiency MERV 8 Air Filter Kit - 14x20x2 (qty 4)	3-4 ton	√		4
0160L00268	High-Efficiency MERV 8 Air Filter Kit - 14x20x2 (qty 2)	5 ton	√		4
0160L00270	High-Efficiency MERV 8 Air Filter Kit - 20x20x2 (qty 2)	5 ton	√		4
0160L00204	High-Efficiency MERV 13 Air Filter Kit - 14x20x2 (qty 4)	3-4 ton	√		4
0160L00204	High-Efficiency MERV 13 Air Filter Kit - 14x20x2 (qty 2)	5 ton	√		4
0160L00201	High-Efficiency MERV 13 Air Filter Kit - 20x20x2 (qty 2)	5 ton	√		4
Misc Accessories					
TTBCKHE01	Through the Base Gas/Electrical	3-6 ton	√	√	1
3PMKP1	Phase Monitor Kit	3-6 ton	√	√	2
0270L01232	Burglar bars Inserts	3-6 ton	√		18
Power Exhaust					
0270L01167	Power Exhaust Prop Downflow Economizer, 230 V	3-5 ton	√		57
0270L01170	Power Exhaust Prop Horizontal Economizer, 230 V	3-5 ton	√		47
0270L01171	Power Exhaust Prop Downflow Economizer, 460 V	3-5 ton	√		57
0270L01168	Power Exhaust Prop Horizontal Economizer, 460 V	3-5 ton	√		47
Controls, Thermostats and Sensors					
DT4272C	Comm Touch Digital Stat w/ Wi-Fi 4h/2c	3-6 ton	√		1
DT4273C	Comm Touch Digital Stat w/ Wi-Fi & Humidity Control 4h/2cc	3-6 ton	√		1
TSTATGAC-WS	Remote indoor sensor	3-6 ton	√		1
250803400	AppStat™ RTU 2H/2C Econ	3-6 ton	√		1
250803600	AppStat™ RTU 3H/2C Econ (HP only)	3-6 ton	√		1
D4271C	4h/2c Commercial 7day Programmable Wi-Fi Capable thermostat	3-6 ton	√		1
D4272C	4h/2c Commercial 7day Programmable Wi-Fi Capable Hum/dehum thermostat	3-6 ton	√		1
C7232B1022	CO ₂ Sensor (Duct Mtd)	3-6 ton	√		1

Note: Where multiple variations are available, the heaviest combination is listed.

Factory Installed Options

- » **Non-Powered Convenience Outlet:** A 120V, 15A, GFCI outlet can be installed in the unit making it easier for technicians to service other units once an electrician runs power to the outlet. Outlet shall be factory-installed and internally mounted with easily accessible 120-v female receptacle. Transformer not included for this option. Outlet shall include a field-installed “While-in-Use” cover.
- » **High-Static Kit:** Allows for operation in higher static applications.
- » **Powered Convenience Outlet:** A 120V, 15A, GFCI outlet can be powered with a step-transformer built into the unit. For use when the unit is not running. When a factory-installed powered convenience outlet is installed in the equipment, the unit MCA (Min. Circuit Ampacity) will increase by 7.5A for 208/230V units; increase by 3.75A for 460V units; and by 3A for 575V units. The MOP (Max. Overcurrent Protection) device must be sized accordingly. Outlet shall be powered from main line power to the rooftop unit. Outlet shall include a field-installed “While-in-Use” cover.
- » **Return Air and/or Supply Air Smoke Detectors:** Return air and/or supply air smoke detectors can be installed in the unit. To safely identify the presence of smoke inside the air conditioning system and shutdown the blower to prevent the smoke to disperse into different zones.
- » **Disconnect Switch (non-fused):** A disconnect switch can be installed in the unit with factory wiring complete from the switch to the unit. Please note that for air conditioner and heat pump units, the appropriate electric heat kit must be ordered along with the disconnect switch (non-fused) to be factory-installed. For models with a powered convenience outlet option and a disconnect switch (non-fused) option, the power to the powered convenience outlet will be shut off when the disconnect switch (non-fused) is in the off position. National Electric Code (NEC) and UL approved non-fused switch shall provide unit power shutoff. The switch shall be accessible from outside of the unit and provide local shutdown and lockout capability.
- » **Hinged Access Panels:** Allows access to unit’s major components. Combined with latches for easy access to control box, compressor, filters and blower motor.
- » **Through-the-base electrical connection:** Allows an easy and fast field installation through the unit base pan.
- » **Electromechanical Controls:** Basic controls that include terminal block for unit connectivity to T-Stat.

Field Installed Options

- » **Manual Fresh Air Damper:** Manual damper package shall consist of damper, air inlet screen, and rain hood which can be preset to admit up to 25% outdoor air for year round ventilation.
- » **Motorized Fresh Air Damper:** A two-position damper with rain hood and screen provides up to 50% outside air when the indoor fan starts and closes when the indoor fan shuts down. Consist of actuator, damper, air inlet screen, and rain hood. Damper shall close upon indoor (evaporator) fan shutoff and/or loss of power. The damper actuator shall plug into the rooftop unit’s wiring harness plug. No hard wiring shall be required.
- » **Power Exhaust:** Power exhaust shall be used in conjunction with an integrated economizer. This accessory exhausts return air and may be used in either downflow or horizontal (duct-mounted) applications. Horizontal power exhaust shall be mounted in return ductwork. Power exhaust shall be controlled by economizer controller operation. Exhaust fans shall be energized when dampers open past the 0-100% adjustable setpoint on the economizer control.
- » **Horizontal Economizer:** Fully modulating between 0 and 100%, contain seals that meet ASHRAE 90.1 requirements. Includes motor and dampers, minimum position settings, preset linkage, wiring harness with plug, mixed air temperature sensor, and enthalpy control. An optional duct-mounted barometric relief damper is available. An optional return enthalpy sensor is available to provide comparative or differential enthalpy control. Damper blades shall be galvanized steel with composite gears. Plastic or composite blades on intake or return shall not be acceptable. Standard leak rate shall be equipped with dampers not to exceed 2% leakage at 1 in. wg pressure differential. Ultra Low Leak design meets California Title 24 section 140.4 and ASHRAE 90.1 requirements for 4 cfm per sq.ft. on the outside air dampers and 10 cfm per sq. ft. on the return dampers. Shall be designed to close damper(s) during loss-of-power situations with spring return built into motor. Economizer controller shall accept a 2-10 Vdc CO₂ sensor input for IAQ/DCV control. In this mode, dampers shall modulate the outdoor air damper to provide ventilation based on the sensor input.
- » Economizer controller shall be Honeywell® JADE® W7220 that provides:
 - 2-line LCD interface screen for setup, configuration and troubleshooting.
 - On-board Fault Detection and Diagnostics (FDD) that senses and alerts when the economizer is not operating properly, per California Title 24.
 - Sensor failure loss of communication identification
 - Automatic sensor detection
 - Capabilities for use with multiple-speed indoor fan systems
 - Utilize digital sensors: Dry bulb and Enthalpy
 - Economizer controller shall provide indications when in free cooling mode, in the DCV mode, or the exhaust fan contact is closed.

Factory and Field Installed Options

- » **Roof curbs:** Full perimeter roof curb with exhaust capability providing separate air streams for energy recovery from the exhaust air without supply air contamination. Two different heights 14" and 24", allows proper installation and structure stability. Formed galvanized steel with wood nailer strip and shall be capable of supporting entire unit weight.
- » **Concentric duct kits:** Designed to provide a single-point air distribution system with the added benefit of having directional air control.
- » **Restraint mounting clips:** Allows for installation reinforcement for Hurricane and/or seismic events.
- » **CO₂ sensor:** Sensor designed to alarm the system when the CO₂ levels are outside safe parameters.
- » **Burglar Bar Sleeves:** Designed to prevent the access thru the return or supply ducting inside the unit.
- » **Downflow square to round adapter 18":** Installed into a recessed portion of the roof curb, the concentric duct adaptor changes the orientation of the ductwork from square to round for applications utilizing that type of ducting system.
- » **Side discharge concentric diffuser system:** The Concentric diffuser system is an all in one supply and return duct free arrangement for RTU systems. This system comes with two separate duct connections, one for a supply and another for a return.
- » **Remote indoor sensor:** Remote sensor to monitor the temperature on zones away from the main thermostat.
- » **Drain pan overflow switch:** Allows the controls to detect and send an alarm when there is an overflow on the drain pan.
- » **Freeze stat:** Temperature sensing device that monitors the heat exchange to prevent the coil from freezing.

Factory and Field Installed Options

- » **Downflow Economizer:** Fully modulating between 0 and 100%, contain seals that meet ASHRAE 90.1 requirements. Includes motor and dampers, minimum position settings, a preset linkage, a wiring harness with plug, a mixed air temperature sensor, enthalpy control, and a barometric relief damper. An optional return enthalpy sensor is available to provide comparative or differential enthalpy control. Damper blades shall be galvanized steel with composite gears. Plastic or composite blades on intake or return shall not be acceptable. Standard leak rate shall be equipped with dampers not to

exceed 2% leakage at 1 in. wg pressure differential. Ultra Low Leak design meets California Title 24 section 140.4 and ASHRAE 90.1 requirements for 4 cfm per sq.ft. on the outside air dampers and 10 cfm per sq. ft. on the return dampers. Shall be designed to close damper(s) during loss-of-power situations with spring return built into motor. Economizer controller shall accept a 2-10 Vdc CO₂ sensor input for IAQ/DCV control. In this mode, dampers shall modulate the outdoor air damper to provide ventilation based on the sensor input. Economizer controller shall be Honeywell® W7220 that provides:

- » Economizer controller shall be *Honeywell W7220* that provides:
 - 2-line LCD interface screen for setup, configuration and troubleshooting.
 - On-board Fault Detection and Diagnostics (FDD) that senses and alerts when the economizer is not operating properly, per California Title 24.
 - Sensor failure loss of communication identification
 - Automatic sensor detection
 - Capabilities for use with multiple-speed indoor fan systems
 - Utilize digital sensors: Dry bulb and Enthalpy
 - Economizer controller shall provide indications when in free cooling mode, in the DCV mode, or the exhaust fan contact is closed.
- » **Low Ambient Control:** Allows cooling operation down to 35°F outdoor ambient temperature for 3 - 6 ton units.
- » **Phase Monitor:** Phase monitor (3-Phase only) shall provide protection for motors and compressors against problems caused by phase loss, phase reversal and phase unbalance. Phase monitor is equipped with an LED that provides an ON or FAULT indicator.
- » **Condenser Hail Guards:** Louvered metal guards help protect the condenser coil from hail and debris; available as a field-installed options on 3 - 12½ ton units.

