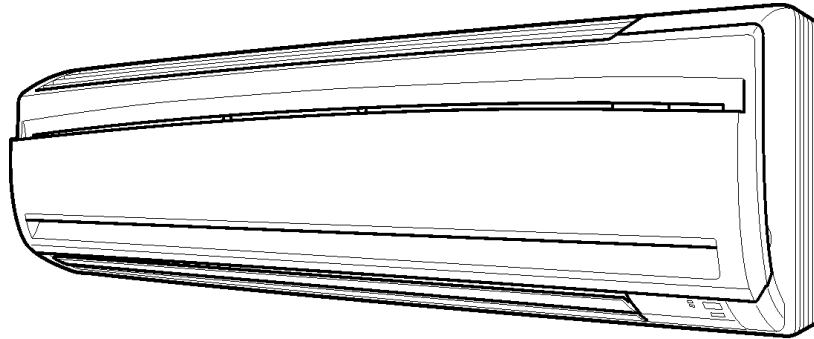


Multi Type Wall Mount Indoor Unit

CTXS07LVJU
CTXS09HVJU
CTXS12HVJU



This manual is to be used by qualified technicians only.

© 2013 Daikin Manufacturing Company, L.P. ♦ 5151 San Felipe St., Suite 500 ♦ Houston, TX 77056

Important Information

Index

Functional Parts List	3
Illustration and Parts	4 - 7

Views shown are for parts illustrations only, not servicing procedures.

Text Codes:

AR - As Required

NA - Not Available

NS - Not Shown

00000000 - See Note

QTY - Quantity Example (QTY 3) (If Quantity not shown, Quantity = 1)

M - Model Example (M1) (If M Code not shown, then part is used on all Models)

Expanded Model Nomenclature:

Example M1 - Model#1 M2 - Model#2 M3 - Model#3

Daikin Manufacturing Company, L.P. is not responsible for personal injury or property damage resulting from improper service. Review all service information before beginning repairs.

Warranty service must be performed by an authorized technician, using authorized factory parts. If service is required after the warranty expires, Daikin Manufacturing Company, L.P. also recommends contacting an authorized technician and using authorized factory parts.

Daikin Manufacturing Company, L.P. reserves the right to discontinue, or change at any time, specifications or designs without notice or without incurring obligations.

For assistance within the U.S.A. contact:

Consumer Affairs Department
Daikin North America, LLC
7401 Security Way
Houston, Texas 77040
855-770-5678-Telephone
713-863-2382-Facsimile

For assistance outside the U.S.A. contact:

International Division
Daikin North America, LLC
7401 Security Way
Houston, Texas 77040
713-861-2500-Telephone
713-863-2382-Facsimile

Functional Parts

Part

No: Description:

1381649	DC FAN MOTOR (M2, M3)
4009930	DC FAN MOTOR (M1)
131316J	FUSE (M1)
1313165	FUSE (M2, M3)
1396362	PRINTED CIRCUIT (INTELLIGENT EYE) (M2, M3)
4009542	PRINTED CIRCUIT ASSY. (CONTROL) (M1)
1844892	PRINTED CIRCUIT ASSY. (CONTROL) (M2)
1844900	PRINTED CIRCUIT ASSY. (CONTROL) (M3)
0646343	STEPPING MOTOR (M2, M3)
179743J	STEPPING MOTOR (M1)
1224638	STEPPING MOTOR (M2, M3)
4007617	STEPPING MOTOR (M1)
1907786	TERMINAL BLOCK (M1)
1391367	TERMINAL BLOCK (M2, M3)
1299702	THERMISTOR (FOR COIL) (M2, M3)
6015244	THERMISTOR ASSY. (M1)

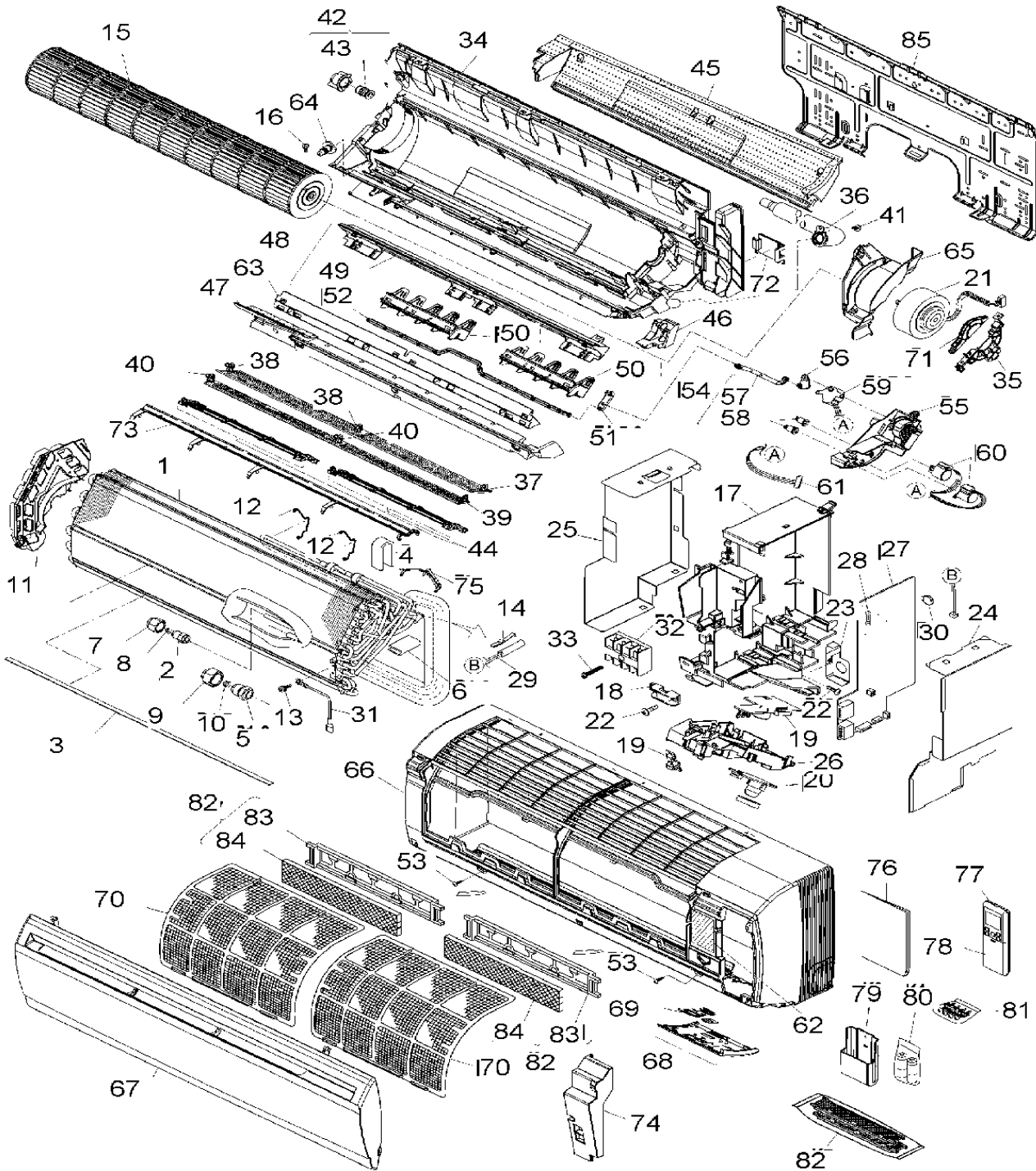
Expanded Model Nomenclature

M1 - CTXS07LVJUAA
M2 - CTXS09HVJUAA
M3 - CTXS12HVJUAA

CTXS07LVJU

CTXS07LVJU

— TOP —



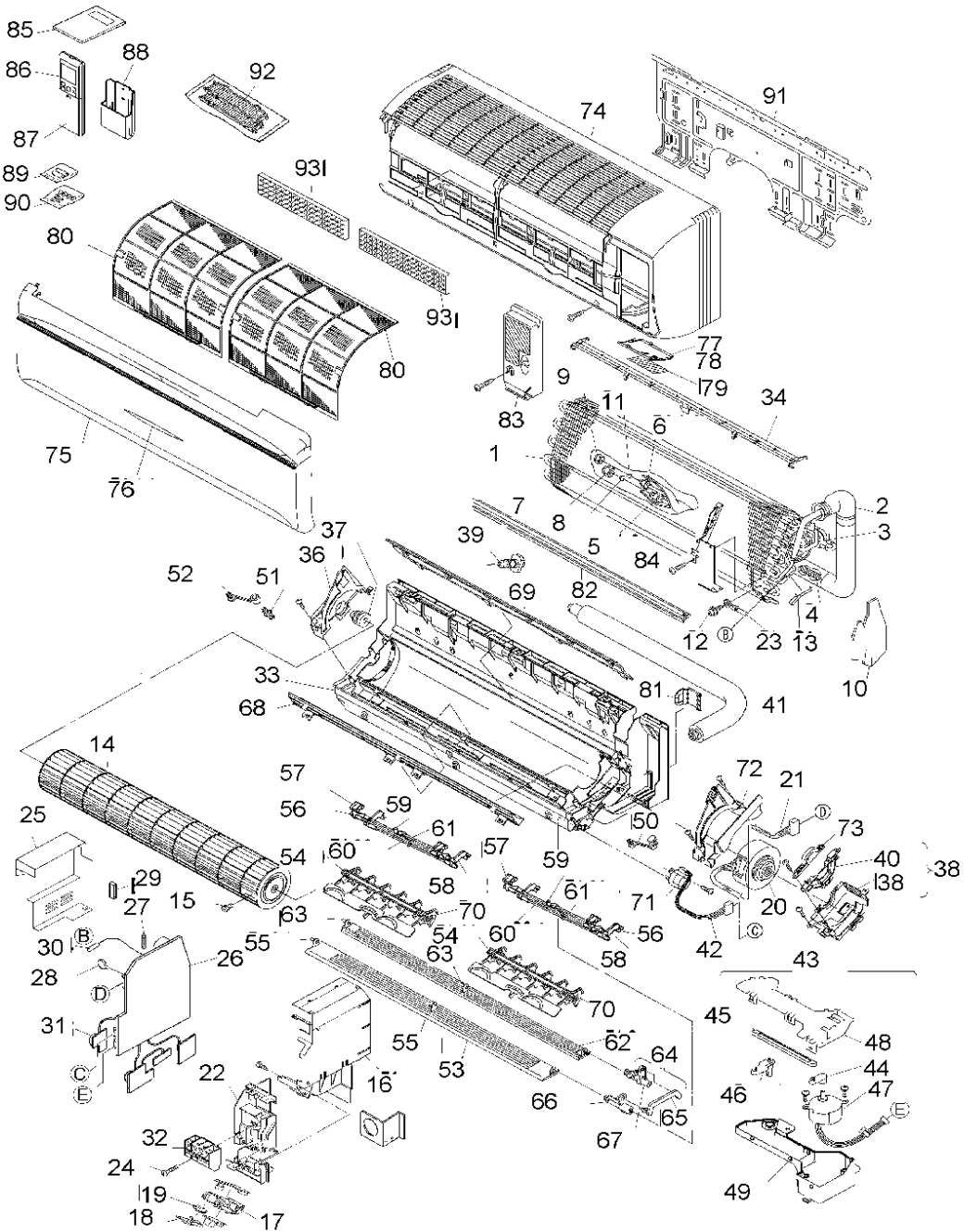
CTXS07LVJU

Ref. Part No: No:	Description:	Ref. Part No: No:	Description:
<i>Image 1:</i>		<i>Image 1:</i>	
1	4009431 HEAT EXCHANGER ASSY. (M1)	58	4007616 ROD (M1)
2	1673393 UNION JOINT/ LIQUID LINE (M1)	59	179743J STEPPING MOTOR (M1)
3	4007594 SEALING PLATE (M1)	60	4007617 STEPPING MOTOR (M1)
4	4007595 PUTTY (M1)	61	4007618 WIRE HARNESS ASSY. (FOR S/M) (M1)
5	096177J UNION JOINT/ GAS LINE (M1)	62	NA CAUTION LABEL(ELECTRIC SHOCK) (M1)
6	1841684 PUTTY (M1)	63	4007639 AIR OUTLET ASSY. (M1)
7	1723546 FLARE NUT (M1)	64	1866652 CONNECTION BLIND CAP (M1)
8	NA BLIND CAP/ FLARE NUT (M1)	65	4007622 SIDE PLATE (RIGHT) (M1)
9	119848J FLARE NUT (M1)	66	4007623 FRONT GRILLE ASSY. (M1)
10	NA BLIND CAP/ FLARE NUT (M1)	67	4007624 FRONT PANEL (M1)
11	4007593 SIDE PLATE ASSY. (LEFT) (M1)	68	4007625 CONTROL PANEL ASSY. (M1)
12	6015237 WIRE SPRING (M1)	69	NA OPERATION SIGN COVER (M1)
13	113783J GROUNDING TIP (W/WASHER) (M1)	70	4007597 AIR FILTER (M1)
14	380120J FITTING SPRING/ THERMISTOR (M1)	71	4000880 MOTOR MOUNTING PLATE (3) (M1)
15	4007596 CROSS FLOW FAN ASSY. (M1)	72	4007626 PIPING FIXTURE (M1)
16	051605J HEX. SOCKET SCREW (M1)	73	4007627 SEALING PLATE (M1)
17	4007598 SWITCH BOX (M1)	74	4007628 SERVICE LID ASSY. (M1)
18	0812847 WIRE CLAMP (M1)	75	4007629 PARTITION PLATE/ EVAPORATOR (M1)
19	1840054 PRINTED CIRCUIT ASSY. (PHOTO/DISPLAY) (M1)	76	NA OPERATION MANUAL (M1)
20	1840061 PYROELECTRIC PASSIVE INFRARED SENSOR (M1)	77	4008894 REMOTE CONTROLLER ASSY. (M1)
21	4009930 DC FAN MOTOR (M1)	78	1768145 LID/ REMOTE CONTROLLER (M1)
22	121650J GROUNDING TERMINAL (M1)	79	4000889 HOLDER/ REMOTE CONTROLLER (M1)
23	NA CONDUIT MOUNTING PLATE (M1)	80	NA BATTERY KIT (M1)
24	4007599 SHIELD PLATE (1) (M1)	81	NA SCREW KIT (M1)
25	4007600 SHIELD PLATE (2) (M1)	82	NA AIR FILTER ASSY. (M1)
26	4007601 INDICATION LAMP COVER (M1)	83	1597259 DUST COLLECTING ELEMENT FRAME (M1)
27	4009542 PRINTED CIRCUIT ASSY. (CONTROL) (M1)	84	1840489 PHOTOCATALYST FILTER ASSY. (M1)
28	131316J FUSE (M1)	85	4007631 MOUNTING PLATE (M1)
29	6015244 THERMISTOR ASSY. (M1)	Expanded Model Nomenclature	
30	113954J VARISTOR (M1)	M1 - CTXS07LVJUAA	
31	1840030 EARTH WIRE (M1)	M2 - CTXS09HVJUAA	
32	1907786 TERMINAL BLOCK (M1)	M3 - CTXS12HVJUAA	
33	1748886 PAN HEAD TAPPING SCREW (M1)		
34	4007638 BOTTOM FRAME ASSY. (M1)		
35	4007630 MOTOR MOUNTING PLATE (LOWER) (M1)		
36	4000867 DRAIN HOSE ASSY. (M1)		
37	4007620 HORIZONTAL VANE/ DISCH. GRILLE (M1)		
38	1840922 ROD/ HORIZONTAL VANE (M1)		
39	4007621 HORIZONTAL VANE/ DISCH. GRILLE (M1)		
40	1840922 ROD/ HORIZONTAL VANE (M1)		
41	170429J TAPPING SCREW (M1)		
42	4008116 FAN BEARING ASSY. (M1)		
43	156867J VIBRATION ABSORBER/ FAN BEARING (M1)		
44	4007640 FAN GUARD ASSY. (M1)		
45	4007604 THERMAL INSULATION (M1)		
46	4007605 THERMAL INSULATION (REAR RIGHT) (M1)		
47	4007606 THERMAL INSULATION (FRONT) (M1)		
48	4007607 DRAIN PAN ASSY. (STABILIZER) (M1)		
49	4007608 DRAIN PAN ASSY. (M1)		
50	4007609 VERTICAL VANE/ AIR DISCHARGE (M1)		
51	4007610 INTERLOCK ROD (3) (M1)		
52	4007611 INTERLOCK ROD (4) (M1)		
53	121650J GROUNDING TERMINAL (M1)		
54	4007612 COVER (LINK ASSY.) (M1)		
55	4007613 COVER (LINK) (M1)		
56	4007614 INTERLOCK ROD (1) (M1)		
57	4007615 INTERLOCK ROD (2) (M1)		

CTXS(09/12)HVJU

CTXS09HVJU / CTXS12HVJU

— TOP —



CTXS(09/12)HVJU

Ref. Part No: No:	Description:	Ref. Part No: No:	Description:
<i>Image 1:</i>		<i>Image 1:</i>	
1	1593839	58	1396526
2	1593846	59	1396533
3	1423389	60	1396540
4	1443035	61	1396557
5	0961770	62	1396418
6	0202262	63	1246739
7	1198481	64	1288384
8	1020937	65	1299740
9	1723546	66	1299757
10	1431760	67	1299764
11	1020920	68	1302336
12	1137835	69	1302343
13	380120	70	1396425
14	1506688	71	0646343
15	0516055	72	1299810
16	1593853	73	1452851
17	1396627	74	1396564
18	1443042	75	1396588
19	1443059	76	1414695
20	1381649	77	1396603
21	1288447	78	1443066
22	1565726	79	1519297
23	1396386	80	1288416
24	1748886	81	1288618
25	1299719	82	1302374
26	1844892	83	1565771
26	1844900	84	1299928
27	1313165	85	NA
28	1139545	86	1917411
29	0334859	87	1768145
30	1299702	88	4000889
31	1396362		
32	1391367	89	NA
33	1396393	90	1844925
34	1299911	91	1288377
35	1299771	92	1443080
36	1299788	93	1396696
37	0379403	Expanded Model Nomenclature	
38	1404775	<div style="border: 1px solid black; padding: 5px;"> M1 - CTXS07LVJUAA M2 - CTXS09HVJUAA M3 - CTXS12HVJUAA </div>	
39	0662282		
40	1404782		
41	1287158		
42	1288360		
43	1396432		
44	1396449		
45	1510788		
46	1396463		
47	1224638		
48	1404814		
49	1404821		
50	1610587		
51	1396487		
52	1610594		
53	1396401		
54	1523366		
55	1246739		
56	1423341		
57	1396519		