

CDXS Slim Duct Indoor Unit

CDXS15LVJUAA

CDXS18LVJUAA



This manual is to be used by qualified technicians only.

© 2013 Daikin Company, L.P. ♦ 5151 San Felipe St., Suite 500 ♦ Houston, TX 77056

Important Information

Index

Functional Parts List	3
Illustration and Parts	4 - 5

Views shown are for parts illustrations only, not servicing procedures.

Text Codes:

AR - As Required

NA - Not Available

NS - Not Shown

00000000 - See Note

QTY - Quantity Example (QTY 3) (If Quantity not shown, Quantity = 1)

M - Model Example (M1) (If M Code not shown, then part is used on all Models)

Expanded Model Nomenclature:

Example M1 - Model#1 M2 - Model#2 M3 - Model#3

Daikin Company, L.P. is not responsible for personal injury or property damage resulting from improper service. Review all service information before beginning repairs.

Warranty service must be performed by an authorized technician, using authorized factory parts. If service is required after the warranty expires, Daikin Company, L.P. also recommends contacting an authorized technician and using authorized factory parts.

Daikin Company, L.P. reserves the right to discontinue, or change at any time, specifications or designs without notice or without incurring obligations.

For assistance within the U.S.A. contact:

Consumer Affairs Department
Daikin North America, LLC
7401 Security Way
Houston, Texas 77040
855-770-5678-Telephone
713-863-2382-Facsimile

For assistance outside the U.S.A. contact:

International Division
Daikin North America, LLC
7401 Security Way
Houston, Texas 77040
713-861-2500-Telephone
713-863-2382-Facsimile

Functional Parts

Part

No:

Description:

148806J	FAN MOTOR
153875J	FUSE
127540J	PRINTED CIRCUIT (ANNUNCIATOR)
4009995	PRINTED CIRCUIT ASSY. (CONTROL) (M2)
4009994	PRINTED CIRCUIT ASSY. (CONTROL) (M1)
105998J	THERMISTOR (FOR AIR)
154232J	THERMISTOR ASSY. (COIL)

Expanded Model Nomenclature

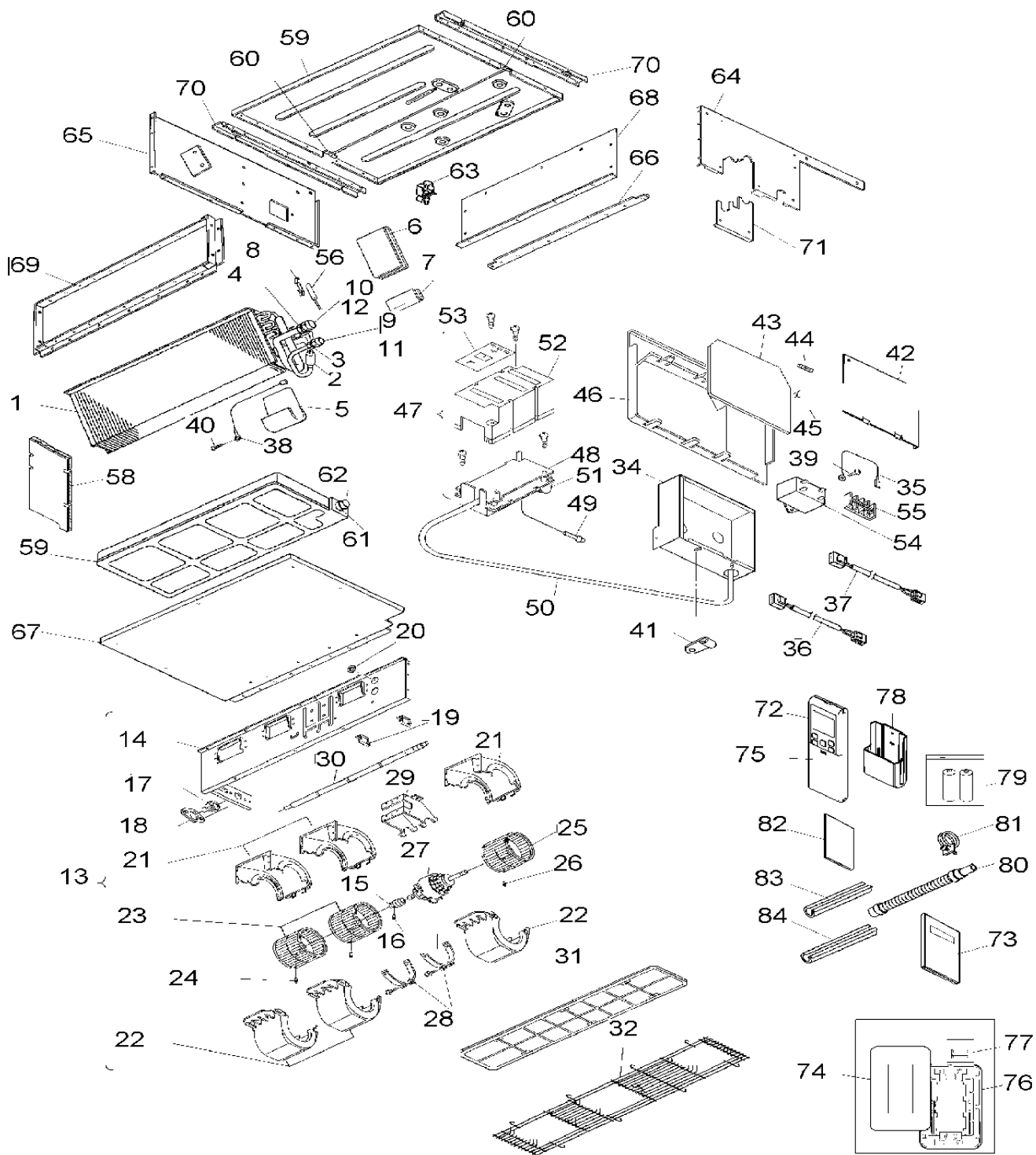
M1 - CDXS15LVJUAA

M2 - CDXS18LVJUAA

CDXS(15/18)LVJU

CDXS15LVJU / CDXS18LVJU

— TOP —



CDXS(15/18)LVJU

Ref. Part No: No:	Description:	Ref. Part No: No:	Description:		
<i>Image 1:</i>		<i>Image 1:</i>			
1 1542468	EVAPORATOR ASSY.	59 149274J	DRAIN PAN ASSY.		
2 107272J	DISTRIBUTOR	60 1688559	SEALING MATERIAL (QTY 2)		
3 257576J	UNION JOINT	61 0728670	DRAIN SOCKET		
4 257580J	UNION JOINT	62 537994	CAP/ DRAIN SOCKET		
5 155972J	SOUNDPROOF PUTTY	63 0278430	WIRE CLIP (QTY 2)		
6 155973J	SOUNDPROOF PUTTY	64 1542608	SIDE PLATE (RIGHT)		
7 155976J	SOUNDPROOF PUTTY	65 1542615	SIDE PLATE (LEFT)		
8 380120J	FITTING SPRING/ THERMISTOR	66 148824J	FRONT PLATE		
9 1723546	FLARE NUT	67 149271J	BOTTOM PLATE		
10 119849J	FLARE NUT	68 1689963	COVER/ DUCT CHAMBER		
11 NA	BLIND CAP/ FLARE NUT	69 148825J	DUCTING FLANGE		
12 NA	BLIND CAP/ FLARE NUT	70 148826J	HOOK METAL (QTY 2)		
13 1492657	FAN ASSY.	71 149272J	RETAINING PLATE/ REF. PIPING		
14 149266J	TOP PLATE/ FAN	72 4009488	REMOTE CONTROLLER ASSY.		
15 064786J	COUPLING/ FAN SHAFT	73 NA	OPERATION MANUAL		
16 117949J	HEX. SOCKET SCREW (QTY 2)	74 1682195	COVER/ INFRARED RECEIVER UNIT		
17 437008J	FAN BEARING	75 1768145	LID/ REMOTE CONTROLLER		
18 443026J	MOUNTING PLATE/ FAN BEARING	76 1682203	SET PLATE/ INFRARED RECEIVER UNIT		
19 0278430	WIRE CLIP (QTY 2)	77 107441J	FLAT HEAD SCREW (QTY 2)		
20 1229570	RUBBER BUSH (QTY 2)	78 4000889	HOLDER/ REMOTE CONTROLLER		
21 1488014	FAN HOUSING (1) (QTY 3)	79 NA	BATTERY KIT		
22 1488021	FAN HOUSING (2) (QTY 3)	80 537317	DRAIN HOSE		
23 1507117	FAN ROTOR ASSY. (QTY 2)	81 558117J	HOSE BAND		
24 011582J	HEX. SOCKET SCREW	82 032284J	SEALER/ DRAIN HOSE		
25 150712J	FAN ROTOR ASSY.	83 0381879	INSULATION TUBE/ LIQUID LINE		
26 011582J	HEX. SOCKET SCREW (QTY 2)	84 031111J	INSULATION TUBE/ GAS LINE		
27 148806J	FAN MOTOR	Expanded Model Nomenclature			
28 040151J	LOCK PLATE/ FAN MOTOR (QTY 2)	<table border="1"> <tr> <td>M1 - CDXS15LVJUAA</td> </tr> <tr> <td>M2 - CDXS18LVJUAA</td> </tr> </table>		M1 - CDXS15LVJUAA	M2 - CDXS18LVJUAA
M1 - CDXS15LVJUAA					
M2 - CDXS18LVJUAA					
29 148808J	MOTOR BASE				
30 148809J	FAN SHAFT				
31 1521391	AIR FILTER				
32 1713912	GUARD NET/ AIR SUCTION				
34 1690831	SWITCH BOX ASSY.				
35 1488160	GROUNDING WIRE				
36 1542583	WIRE HARNESS (4) (FAN MOTOR)				
37 1542590	WIRE HARNESS (3) (FEED BACK)				
38 1559776	EARTH WIRE				
39 099784J	GROUNDING TERMINAL				
40 099784J	GROUNDING TERMINAL				
41 102022J	CLAMP/ WIRE HARNESS (QTY 3)				
42 148811J	COVER/ SWITCH BOX				
43 4009994	PRINTED CIRCUIT ASSY. (CONTROL) (M1)				
43 4009995	PRINTED CIRCUIT ASSY. (CONTROL) (M2)				
44 153875J	FUSE				
45 113954J	VARISTOR				
46 1690886	PROTECTION COVER ASSY.				
47 NA	INFRARED RECEIVER UNIT ASSY.				
48 127540J	PRINTED CIRCUIT (ANNUNCIATOR)				
49 105998J	THERMISTOR (FOR AIR)				
50 1542569	LEAD WIRE				
51 134780J	TOP COVER/ INFRARED RECEIVER				
52 0324441	BOTTOM CASING/ INFRARED RECEIVER				
53 4009487	INDICATION LABEL				
54 2008536	CAPACITOR/ FAN MOTOR				
55 139136J	TERMINAL BLOCK				
56 154232J	THERMISTOR ASSY. (COIL)				
57 1492688	TOP PLATE/ FAN				
58 149273J	PARTITION PLATE/ EVAPORATOR				