

AIRFLOW  
DIRECTION

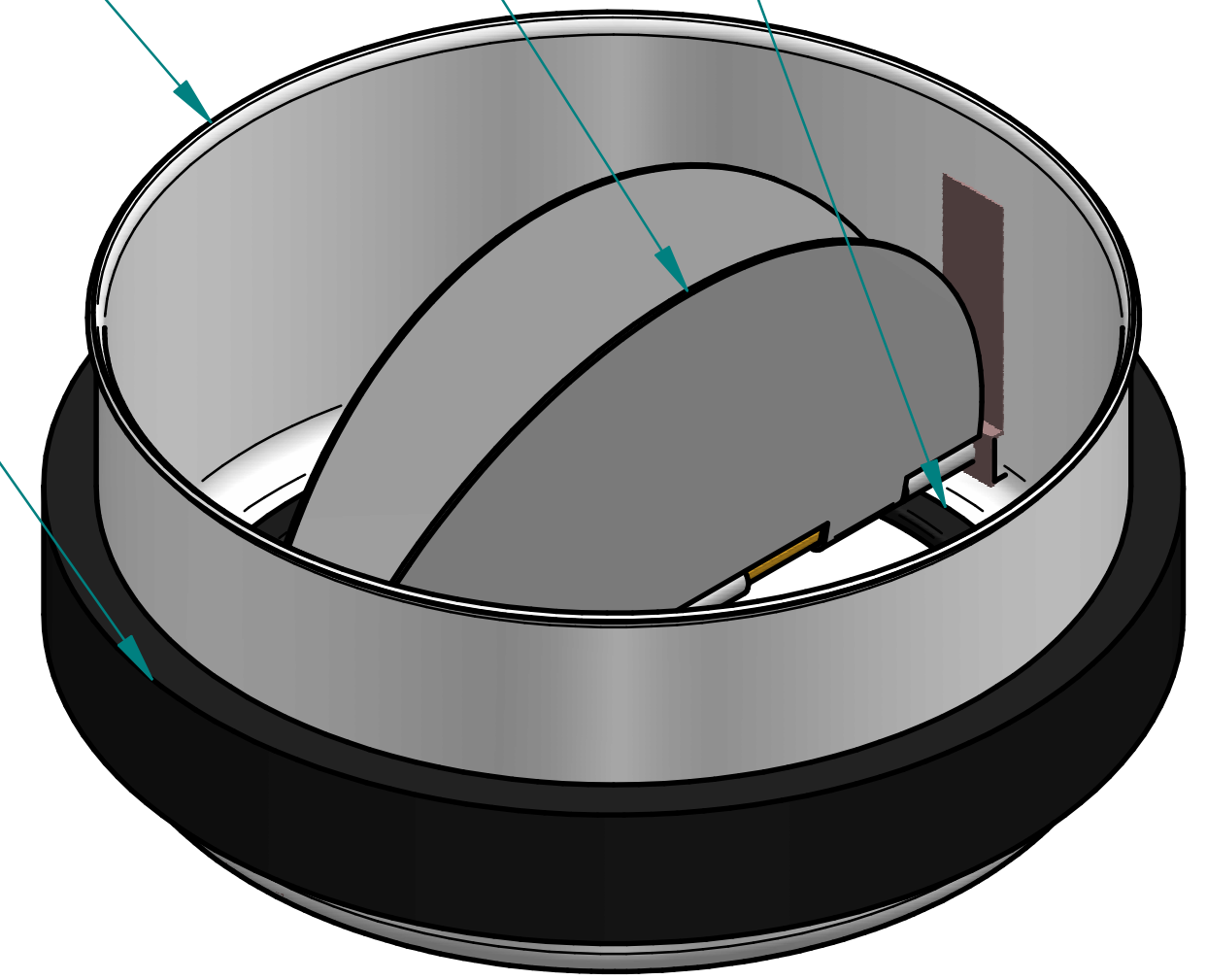


NEOPRENE BLADE GASKET

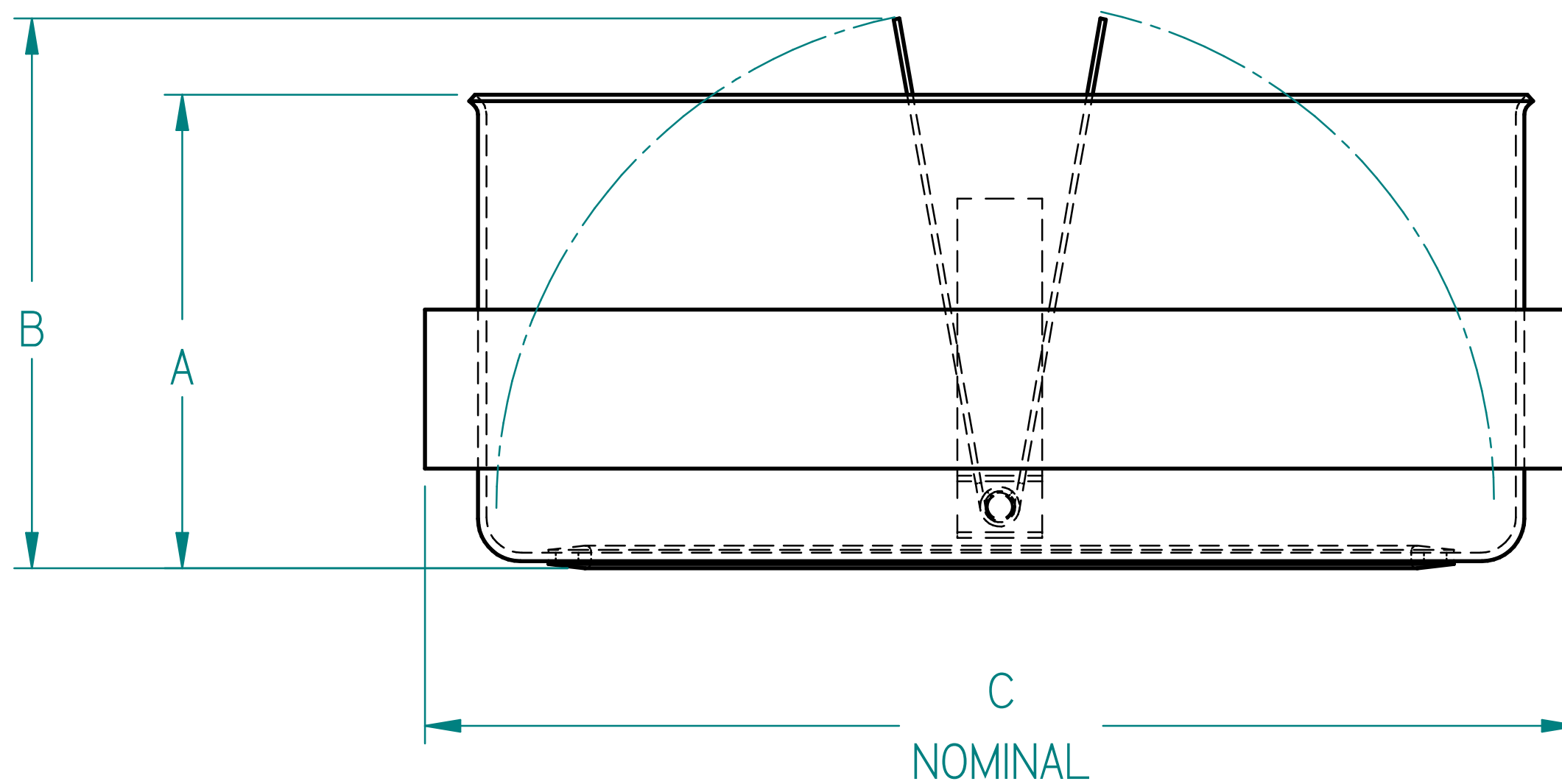
ALUMINUM DAMPER BLADES

SATIN COAT STEEL BODY

FOAM BODY SEAL



BLADES OPEN



DAMPER		DIMENSIONS (IN INCHES)		
MODEL	SIZE	A	B	C
BDD100	4	1.75	2.00	3.80
BDD125	5	2.00	2.50	4.80
BDD150	6	2.50	3.00	5.80
BDD200	8	2.75	3.75	7.80

DIMENSIONS SUBJECT TO CHANGE WITHOUT NOTICE.  
DRAWING NOT TO BE USED FOR CONSTRUCTION.

		<b>CFM</b>	
		Better Airflow By Design	
		SPRING LOADED BACKDRAFT DAMPERS	
		BDD GENERAL SUBMITTAL	
01	06 APR. 2016	JME	
REV.	DATE	BY	J. M. EVANS   06 APR. 2016   BDD GENERAL SUBMITTAL.dft