



PRODUCTS

Mission Statement

To continue to position ourselves as the sought after supplier of sheet metal accessory products to the HVAC construction industry by providing superior customer service and quality products through innovation.

TABLE OF CONTENTS

DUCT CONNECTORS AND CORNERS

J-Flange and J-Corners	Page 2
H-Flange and H-Corners	Page 2
Standing S	Page 3
Slip and Drive	Page 3
TDC/TDF Corners	Page 4
TDCII/TDFII Corners	Page 5
Cornermatic® Corners	Page 6
Cornermatic® Plus Corners	Page 7
Regular Cleat	Page 8
ALL-Cleat	Page 9
TriCleat	Page 10

ROUND CONNECTORS

SpiralFlange	Page 11
SpiralSleeve	Page 12

FLEXIBLE DUCT CONNECTOR

Flexible Duct Connector	Page 13
LA Approved Flexible Connector	Page 14

ACCESS DOORS

LAD & LRAD Doors	Page 15
LHTAD High Temp Door	Page 16
LHTGDD Grease Duct Access Door	Page 17
View Door	Page 18
Framed Access Doors	Page 19
Press-On Access Doors	Page 20
Framed Doors-High Pressure	Page 21

GASKETS

Butyl Gasket	Page 22
TEE Gasket	Page 23
Neoprene Gasket (WNEO)	Page 24
Neoprene Gasket (WNEOHD)	Page 25

VANE AND RAIL

2" Vane	Page 26
2" Rail	Page 26
4" Vane	Page 26
4" Rail	Page 26
2" SpeedyRail	Page 27
4" SpeedyRail	Page 27
4" Acoustical Vane	Page 28
UniRail	Page 29

HANGING SYSTEMS

Trapeze Hanger	Page 30
Spiral Hanger	Page 31
Punched Angle	Page 32
Z Bar	Page 33
Hanger Strap	Page 34
Vibration Hanger	Page 35
Strap Buckle	Page 36
HangFast	Page 37

SEALANTS AND ADHESIVES

S Seal	Page 38
S Seal Spray	Page 39
S Seal-FR	Page 40
EcoSeal	Page 41
EcoSeal-FR	Page 42
S-Seal-Solvent	Page 43
Duct Liner Adhesive	Page 44
Duct Liner Adhesive HV	Page 45
SuperSpray	Page 46
Super Spray-Can	Page 47
Super Liner Sealer	Page 48
Lag Adhesive	Page 49
Butyl Sealant (WB)	Page 50

ACCESSORY PRODUCTS

Rod Locks	Page 51
Condu Plugs	Page 52
Damper Blades	Page 53
Moisture Drain/Caps	Page 54
Bull Nosing	Page 55
Weld Pins	Page 56
Tek Screws	Page 57
DuctGuard	Page 58

TOOLS

Speedy Mister	Page 59
Speedy Saw	Page 60
Speedy Shof 3	Page 61
TDC/TDF Corner Tool	Page 62
ALL Cleat Tool	Page 63
Cleat Tool	Page 64

J Flange - H Flange

CONTACT

Office: 888.973.7600

1100 Ashwood Drive
Suite 1102
Canonsburg, PA 15317

www.clward.com

Detail

J Flange

- Roll formed from 20 gauge
- Tested to a SMACNA J Rating
- Integrated sealant pocket for airtight seal
- Available in 10' and 20' bundles
- Meets NFPA 90A & B Class 1 (Sealing Requirements)
- Recommended for 16 gauge to 26 gauge duct work
- Available in galvanized, aluminum, aluminized, SS 304, SS 316 and galvaneal



J Corner

- Stamped from 11 gauge
- Supplied with nuts and bolts in box (3/8" x 1" carriage bolt)
- Available in galvanized, aluminum, aluminized, ss 304, ss 316 and galvaneal

H Flange

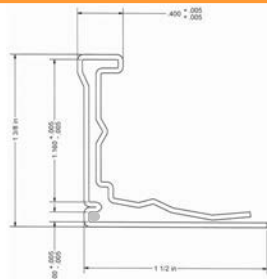
- Roll formed from 22 gauge
- Tested to a SMACNA H Rating
- Integrated sealant pocket for airtight seal
- Available in 20' bundles
- Meets NFPA 90A & B Class 1 (Sealing Requirements)
- Recommended for 20 gauge to 26 gauge duct work
- Available in galvanized, aluminized and galvaneal



H Corner

- Stamped from 11 gauge
- Supplied with nuts and bolts in box (1/4" x 1" carriage bolt)
- Available in galvanized, aluminized and galvaneal

Profile



Packaging

Item	Description	Packaging	Weight
LJ15GA	J Flange 20 ft., Galvanized	1,500 ft/bundle	1,100 lbs/bundle
LJ75GA10	J Flange 10 ft, Galvanized	750 ft/bundle	550 lbs/bundle
LH15GA	H Flange 20 ft., Galvanized	1,500 ft/bundle	800 lbs/bundle
LJCGA	J Corners, Galvanized (with Nut & Bolt)	200 pcs/box	60 lbs/box
LHCGA	H Corners, Galvanized (with Nut & Bolt)	400 pcs/box	50 lbs/box

GA = Galvanized, S4 = Stainless Steel 304, S6 = Stainless Steel 316, GN = Galvaneal, AL = Aluminum, AZ = Aluminized, PVC = PVC Coated



Slip - Drive - Standing S

CONTACT

Office: 888.973.7600

1100 Ashwood Drive
Suite 1102
Canonsburg, PA 15317

www.clward.com

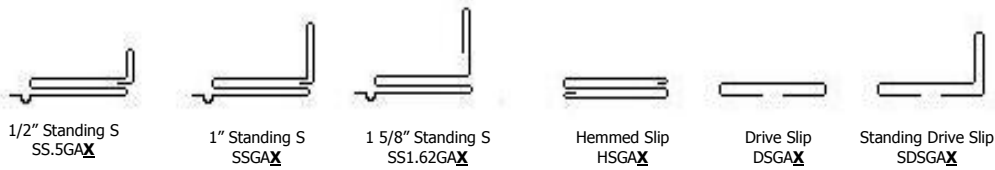
Detail

Quality residential/light commercial duct connection products

- Available in galvanized, aluminum, galvalume, stainless steel and aluminized
- Available in 10' and 5' bundles
- Cut to length available upon request



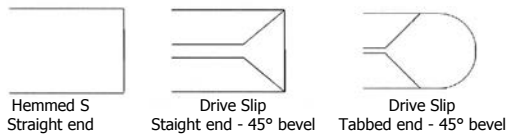
Profile



X = 20 ga, 22 ga, 24 ga, 26 ga
See chart below for available gauges

Cut to Length

- Hemmed S 6" through 24" in 2" increments
- Drive Slip 6" through 26" in 2" increments



Packaging

- 100 ft/bundle
- Cut to Length - 100 pcs/carton

Weight Chart (lbs/ft)

Gauges	1/2" Standing S	1" Standing S	1 5/8" Standing S	Hemmed S	Drive Slip	Standing Drive Slip	Color Code
20 GA	N/A	.78	.79	N/A	N/A	N/A	Yellow
22 GA	N/A	.58	.68	N/A	N/A	.46	Green
24 GA	.41	.55	N/A	.32	.19	.40	Orange
26 GA	.35	.44	N/A	.25	.15	.33	Blue
28 GA	N/A	N/A	N/A	.227	.12	N/A	Red

N/A - Designates gauges that are not stock, but can be available upon special request.

TDC and TDF Corner

CONTACT

Office: 888.973.7600

1100 Ashwood Drive
Suite 1102
Canonsburg, PA 15317

www.clward.com

Detail

TDC Corner

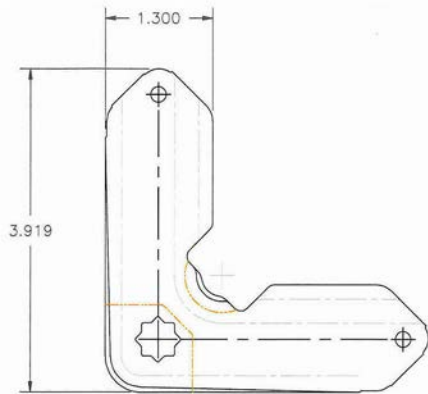
- Stamped from 14 gauge
- Designed for TDC ductwork
- Designed for 3/8" carriage bolt
- "Star" bolt hole for easy fastening
- Available in galvanized, stainless and aluminum



TDF Corner

- Stamped from 14 gauge
- Designed for TDF ductwork
- Designed for 3/8" carriage bolt
- "Star" bolt hole for easy fastening
- Available in galvanized, stainless and aluminum

Profile



Packaging

Item Code	Item Description	Packaging	Weight
LWCCGA	TDC Corner	300 pcs/box	55 lbs/box
LWFCGA	TDF Corner	300 pcs/box	55 lbs/box

TDCII and TDFII Corner

CONTACT

Office: 888.973.7600

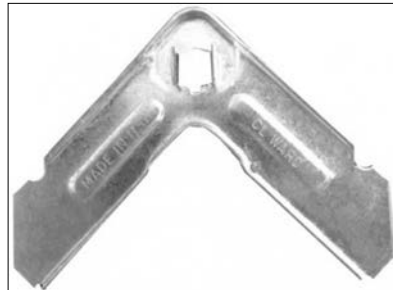
1100 Ashwood Drive
Suite 1102
Canonsburg, PA 15317

www.clward.com

Detail

TDC II Corner

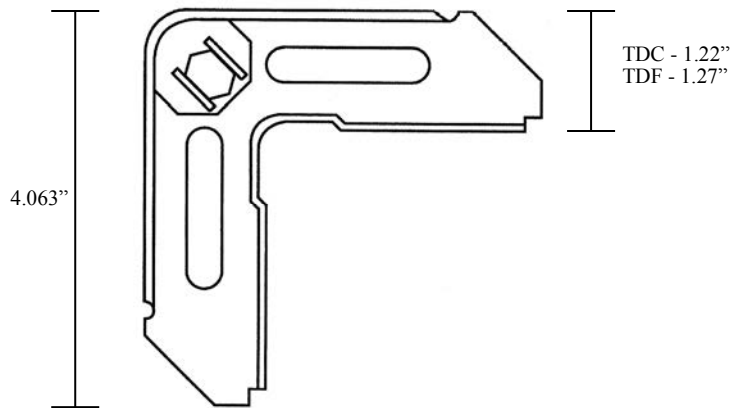
- Stamped from 16 gauge
- Designed for TDC ductwork
- Designed for 3/8" carriage bolt
- Available in galvanized, stainless and aluminum



TDF II Corner

- Stamped from 16 gauge
- Designed for TDF ductwork
- Designed for 3/8" carriage bolt
- Available in galvanized, stainless and aluminum

Profile



Packaging

Item Code	Item Description	Packaging	Weight
LCMCGAMI	TDC II Corner	250 pcs/box	35 lbs/box
LCMFGAMI	TDF II Corner	250 pcs/box	35 lbs/box

TDC and TDF Cornermatic Corner

CONTACT

Office: 888.973.7600

1100 Ashwood Drive
Suite 1102
Canonsburg, PA 15317

www.clward.com

Detail

TDC Cornermatic™ Corner

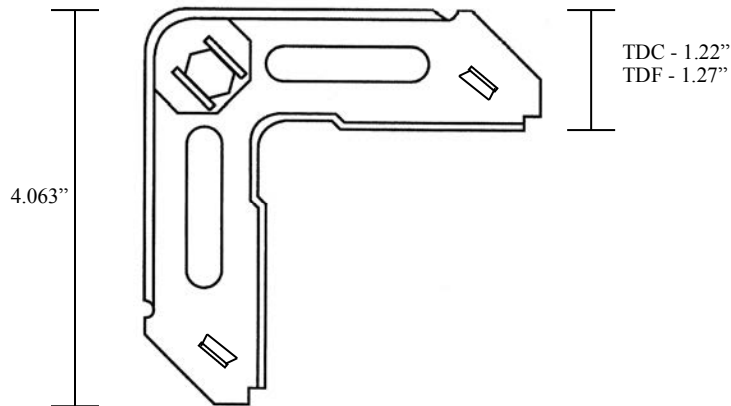
- Stamped from 16 gauge
- Designed for TDC ductwork
- Designed for 3/8" carriage bolt
- Available in galvanized, stainless and aluminum



TDF Cornermatic™ Corner

- Stamped from 16 gauge
- Designed for TDF ductwork
- Designed for 3/8" carriage bolt
- Available in galvanized, stainless and aluminum

Profile



Packaging

Item Code	Item Description	Packaging	Weight
LCMCGA	TDC Cornermatic Corner	250 pcs/box	35 lbs/box
LCMFGA	TDF Cornermatic Corner	250 pcs/box	35 lbs/box

Cornermatic+Plus™ Corners

Detail

Developed for use in the Cornermatic+Plus and Retrofitted Cornermatic Machines. The corners can save time when loading the corners and improve corner insertion.

The corners work in Iowa Precision's new Cornermatic+Plus machine and Cornermatic machines that have been retrofitted with the Cornermatic+Plus conversion kit.

- Stamped from 16 gauge
- Hole for 3/8" carriage bolt
- Available in Galvanized, Galvanneal, Aluminum, PVC Coated, SS 304 and SS316



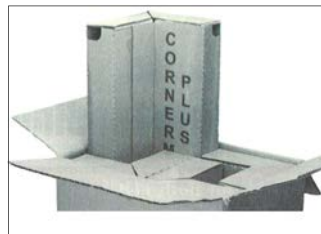
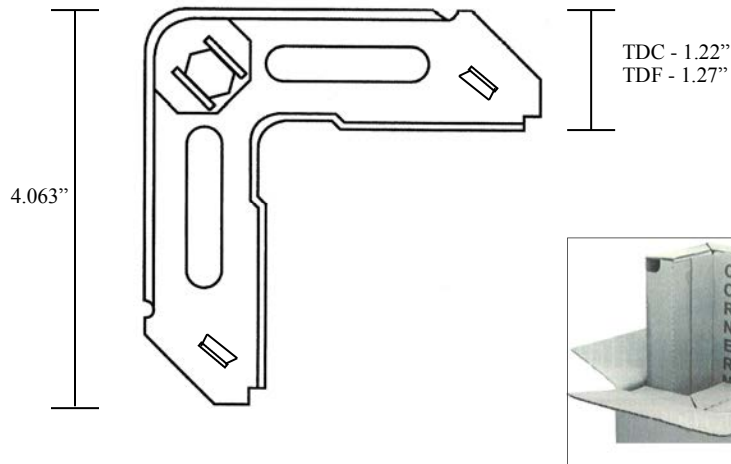
CONTACT

Office: 888.973.7600

1100 Ashwood Drive
Suite 1102
Canonsburg, PA 15317

www.clward.com

Profile



Packaging

Item Code	Item Description	Packaging	Weight
LCMCGAS	TDC Cornermatic Corner +	320 pcs/box - 80 corner/sleeve	50 lbs/box
LCMFGAS	TDF Cornermatic Corner +	320 pcs/box - 80 corner/sleeve	50 lbs/box

Cleat

Detail

The CL WARD manufactured "Regular Cleat" and our "TDF Cleat"

- Roll formed from 20 gauge
- 6" pieces standard
- 10' pieces available upon request
- Available in Galvanized, Aluminized, 304 & 316 Stainless Steel and PVC
- Regular Cleat is designed for J Flange, H Flange and TDC Connections
- F Cleat is designed for TDF Connections



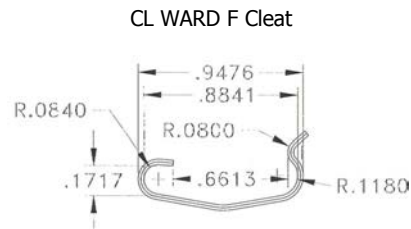
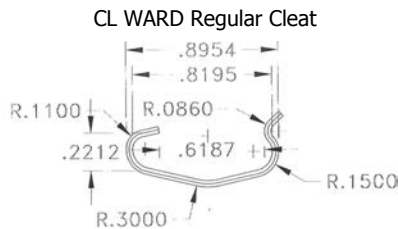
CONTACT

Office: 888.973.7600

1100 Ashwood Drive
Suite 1102
Canonsburg, PA 15317

www.clward.com

Profile



Packaging

Item Code	Item Description	Packaging	Weight
LW6CGA	Regular 6" Cleat	200 ft/case	40 lbs/case
LW10CGA	Regular 10' Cleat	100 ft/bundle	20 lbs/bundle
WJ6PVC	Regular PVC Cleat	200 ft/case	10 lbs/case
LF6CGA	F Cleat 6"	200 ft/case	40 lbs/case
LF10CGA	F Cleat 10'	100 ft/bundle	20 lbs/bundle
WF6PVC	F Cleat 6"	200 ft/case	10 lbs/case

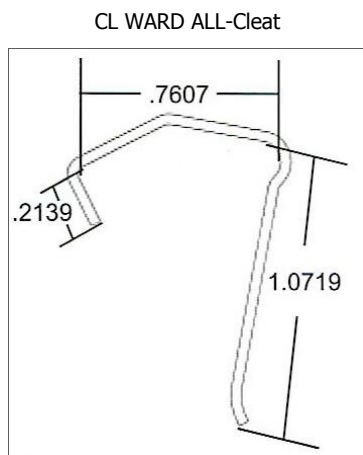
ALL Cleat

Detail

- Roll formed from 22 gauge
- Available in 6" and 10' pieces
- Available in galvanized, SS 304, SS 316, aluminized, galvanized
- ALL-Cleat is designed for J-Flange and other TDC connections



Profile



Packaging

Item	Description	Gauge	Packaging	Wt.
LV6CGA	6" ALL Cleat	22	125 ft/box	29 lbs
LV10CGA	10' ALL Cleat	22	100 ft/bundle	23 lbs

CONTACT

Office: 888.973.7600

1100 Ashwood Drive
Suite 1102
Canonsburg, PA 15317

www.clward.com

TriCleat™

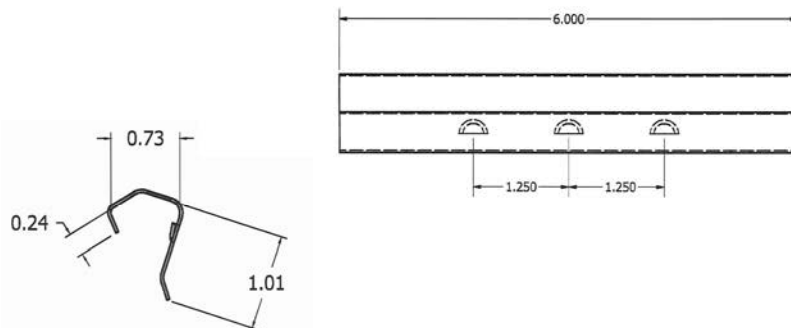
Detail

High quality cleat designed for TDC and J Flange with three integrated “dimples” to lock the cleat in place when snapped onto the flange.



- Stamped from 22 gauge
- 6” Length
- Available in galvanized and stainless steel
- Integrated “dimples” to lock the cleat in place
- Designed for J Flange, TDC, TDF and TDX Connections

Profile



Packaging

Item	Description	Gauge	Packaging	Wt.
TRI-CLEAT	6” Tri Cleat	22	125 ft/box	29 lbs

CONTACT

Office: 888.973.7600

1100 Ashwood Drive
Suite 1102
Canonsburg, PA 15317

www.clward.com

SpiralFlange

CONTACT

Office: 888.973.7600

1100 Ashwood Drive
Suite 1102
Canonsburg, PA 15317

www.clward.com

Detail

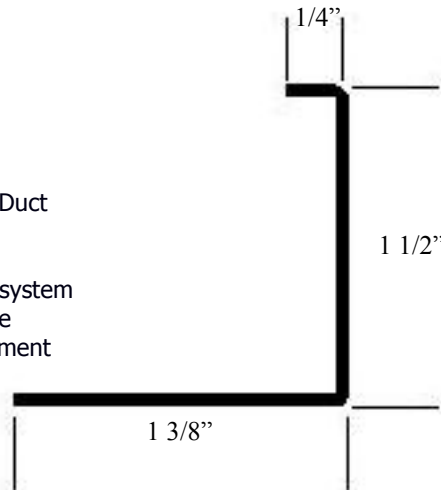
- Round duct connection system
- Meets SMACNA B Reinforcement Class
- 8" - 48" 18 gauge
50" and up - 16 gauge
- Available in galvanized, galvaneal, stainless, aluminum, aluminized and PVC
- No special tools required
- Available for double wall
- Specially designed with a split to accommodate minor deviations of pipe diameter (also available welded)
- Available in "halves" for flat oval
- Straight material available for flat oval



Profile

- Available in 8" to 72"

In accordance with SMACNA Duct Performance Test Standards #DPTS-2005 as described in the HVAC Duct Construction Standards, Third Ed.-2005, the CL WARD & Family Inc. SpiralFlange for round duct connection system and round duct reinforcement meets the requirements of a SMACNA B Reinforcement Class.



Packaging

- Sold as single units

Item Code	Item Description	Packaging
EFRXGA	SpiralFlange - SPLIT	Per Order
EFRWXGA	SpiralFlange - WELDED	Per Order

X = Diameter

SpiralSleeve

CONTACT

Office: 888.973.7600

1100 Ashwood Drive
Suite 1102
Canonsburg, PA 15317

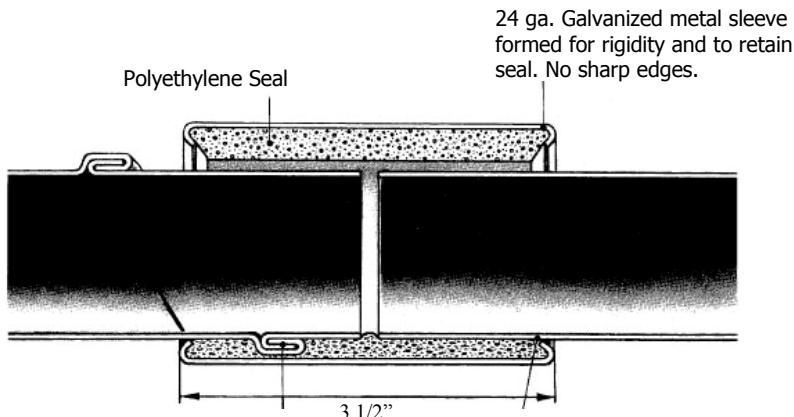
www.clward.com

Detail

- For round air conditioning, ventilation and dust collection systems.
- 24 ga. galvanized metal sleeve
- Polyethylene seal to ensure air tight seal
- Polyethylene seal can accommodate spiral seam
- Tested to over 30" w.g. positive & negative
- Only one bolt per connection
- Available in Stainless Steel
- Other gaskets available: neoprene, high temp silicone and FDA-approved EPDM rubber gasket
- Double bolt option available (5" to 16")



Profile



When the connector is tightened the metal sleeve contacts the duct wall to provide rigidity.

Packaging

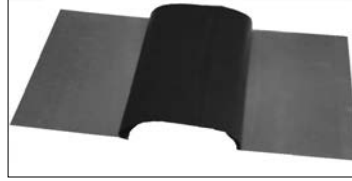
Item Code	Item Description	Packaging	Weight
QS3GA	3" SpiralSleeve, Galv.	Per Order	.83/sleeve
QS4GA	4" SpiralSleeve, Galv.	Per Order	.91/sleeve
QS5GA	5" SpiralSleeve, Galv.	Per Order	.985/sleeve
QS6GA	6" SpiralSleeve, Galv.	Per Order	1.05/sleeve
QS7GA	7" SpiralSleeve, Galv.	Per Order	1.16/sleeve
QS8GA	8" SpiralSleeve, Galv.	Per Order	1.25/sleeve
QS9GA	9" SpiralSleeve, Galv.	Per Order	1.35/sleeve
QS10GA	10" SpiralSleeve, Galv.	Per Order	1.41/sleeve
QS11GA	11" SpiralSleeve, Galv.	Per Order	1.50/sleeve
QS12GA	12" SpiralSleeve, Galv.	Per Order	1.75/sleeve
QS13GA	13" SpiralSleeve, Galv.	Per Order	1.80/sleeve
QS14GA	14" SpiralSleeve, Galv.	Per Order	1.90/sleeve
QS15GA	15" SpiralSleeve, Galv.	Per Order	1.95/sleeve
QS16GA	16" SpiralSleeve, Galv.	Per Order	2.00/sleeve

Flexible Duct Connector

Detail

An airtight and flexible vibration isolation connection product.

- Minimizes vibration and noise
- Available in Commercial and Residential
- Available with vinyl, neoprene, hypalon, silicone, and teflon fabrics
- Available in Galvanized, Aluminum, Stainless Steel, Galvaneal and PVC
- Meets NFPA 90A & 90B, ASTM
- Fabrics meet NFPA 701
- Airtight and water proof at 10" wg to negative 10" wg



Profile

Grade	Composition Metal - Fabric - Metal	Gauge	Recommended Applications
Commercial (Option 1)	3" x 3" x 3" LCFC3XGA	24 ga. metal	Commercial and Industrial
Commercial (Option 2)	3" x 6" x 3" LCFC6XGA	24 ga. metal	Commercial and Industrial
Economy	2 3/4" x 4" x 2 3/4" LEFC4XGA	28 ga. metal	Light Commercial
Residential	1 3/4" x 3" x 1 3/4" LRFC3XGA	28 ga. metal	Residential and Light Commercial
TDC/TDF Commercial	4" x 4" x 4" LCFC4XGA	24 ga. metal	Commercial and Industrial

X = V for Vinyl, N for Neoprene, H for Hypalon, S for Silicone, T for Teflon

	Vinyl Residential	Vinyl Commercial	Neoprene Commercial	Neoprene Residential
Base Fabric	Polyester/Polyester	Polyester/Polyester	Glass Cloth	Glass Cloth
Color	Black	Black	Black	Black
Weight	20 oz./sq. yd.	20 oz./sq. yd.	30 oz./sq. yd.	30 oz./sq. yd.
Tongue Tear	122/72 lbs.	122/72 lbs.	25/20 lbs.	25/20 lbs.
Tensile Strength	308/262 lbs.	308/262 lbs.	475/375 lbs.	475/375 lbs.
Low Temperature	-49°F	-49°F	-40°F	-40°F
High Temperature	300°F	300°F	200°F	200°F
	Hypalon	Silicone	Teflon	
Base Fabric	Glass Cloth	Fiberglass Fabric	Glass Cloth	
Color	White	Silver	Gray	
Weight	30 oz./sq.yd.	30 oz./sq. yd.	18 oz./sq. yd.	
Tongue Tear	25/20 lbs.	90/90 lbs.	20/20 lbs.	
Tensile Strength	475/375 lbs.	372/372 lbs.	410/355 lbs.	
Low Temperature	-4°F	-70°F	-100°F	
High Temperature	200°F	500°F	600°F	

Packaging

- 100 ft. per box



CONTACT

Office: 888.973.7600

1100 Ashwood Drive
Suite 1102
Canonsburg, PA 15317

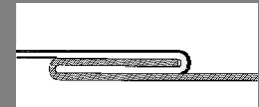
www.clward.com



Power Lock



Protect Lock



Single Lock

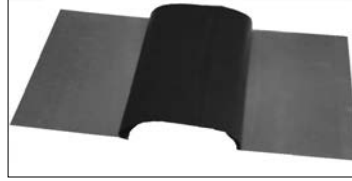


Flexible Duct Connector - LA Approved

Detail

An airtight and flexible vibration isolation connection product.

- Minimizes vibration and noise
- City of Los Angeles Approved: M-150029
- Available with vinyl, neoprene and hypalon.
- Available in Galvanized, Aluminum, Stainless Steel, Galvaneal and PVC
- Meets NFPA 90A & 90B, ASTM
- Fabrics meet NFPA 701
- Airtight and water proof at 10" wg to negative 10" wg



CONTACT

Office: 888.973.7600

1100 Ashwood Drive
Suite 1102
Canonsburg, PA 15317

www.clward.com



Power Lock

Profile

Grade	Composition Metal - Fabric - Metal	Gauge Gauge	Recommended Applications Recommended Applications
Commercial (Option 1)	3" x 3" x 3" LCFC3XGA	24 ga.	Commercial and Industrial
Residential	1 3/4" x 3" x 1 3/4" LRFC3XGA	28 ga.	Residential and Light Commercial
TDC/TDF Commercial	4" x 4" x 4" LCFC4XGA	24 ga.	Commercial and Industrial

X = V for Vinyl, N for Neoprene, H for Hypalon **Vinyl not available in 4" fabric width**
Item Code for Vinyl ends with "LA" - LCFC3VGALA

	Vinyl	Neoprene	Hypalon
Base Fabric	Polyester/Polyester	Glass Cloth	Glass Cloth
Color	Black	Black	White
Weight	20 oz./sq. yd.	30 oz./sq. yd.	30 oz./sq.yd.
Tongue Tear	91/60 lbs.	25/20 lbs.	25/20 lbs.
Tensile Strength	295/239 lbs.	475/375 lbs.	475/375 lbs.
Low Temperature	-40°F	-40°F	-4°F
High Temperature	200°F Continuous 250°F Intermittent	200°F	200°F

Packaging

- 100 ft. per box

Access Doors (LAD and LRAD)

CONTACT

Office: 888.973.7600

1100 Ashwood Drive
Suite 1102
Canonsburg, PA 15317

www.clward.com

Detail

- Tested to 20" w.g. with no leakage noted
- Tested to negative 30" w.g. with no leakage noted
- Metal Thickness: 8x4, 10x06, 12x8 - 22 ga.
16x12, 18x14, 24x18 - 20 ga.
- Available in galvanized, 304 and 316 stainless, aluminum, and PVC coated
- Utilizes a closed cell neoprene gasket for optimum sealing
- Self adhesive template provided for easy installation
- LAD - Flat Access Door
- LRAD - Round Access Door
- Doors come with self stick template for easy installation

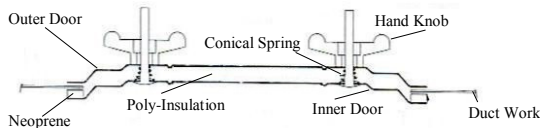


Profile

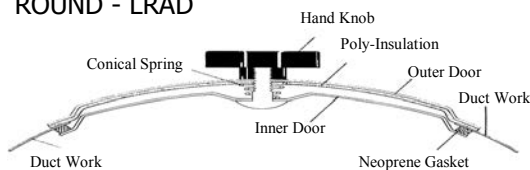
- Available sizes:

8x4	5" through 14" Round
10x6	Flat & 6" through 30" Round
12x8	Flat** & 10" through 20" Round
16x12	Flat & 15" through 60" Round
18x14	Flat Only **
24x18	Flat & 29" through 144" Round
- **Door is rectangular in shape**

FLAT - LAD



ROUND - LRAD



Packaging

- Sold as single units.

Item Code	Item Description	Packaging
LADxxxxGA	Flat Access Door	Per Order
LRADxxxxGA	Round Access Door	Per Order

XXXX = Door Size, 106 for 10x6, 128 for 12x8
For Round Doors - Example: 1068 = 10x6x8

Access Door - High Temp (LHTAD)

CONTACT

Office: 888.973.7600

1100 Ashwood Drive
Suite 1102
Canonsburg, PA 15317

www.clward.com

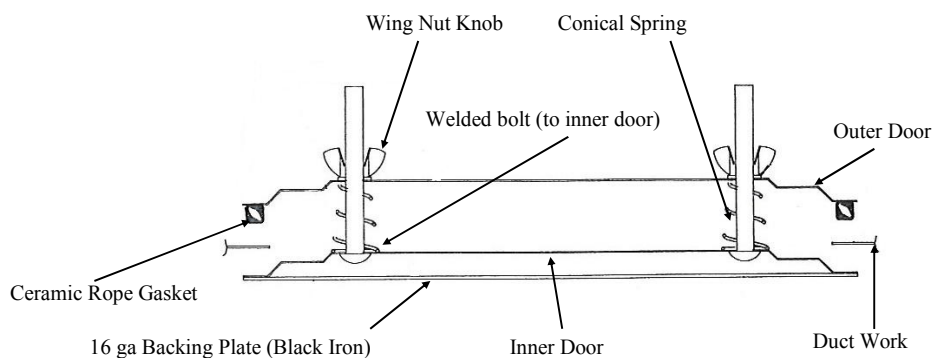
Detail

- Provides easy access to high temperature duct systems and grease duct.
- Tested to 20" w.g., with no leakage noted.
- Tested to negative 10" w.g., with no leakage noted.
- Meets NFPA 96
- Available in 10x6 12x8 and 16x12.
- Stamped from 16 gauge
- Ceramic fiber gasket (2,300°) ensures an air tight seal
- Zinc coated wing nuts are easily turned by hand
- Self adhesive template is provided for easy installation.
- Zinc coated conical springs installed between the inner and outer door.
- Available in galvanized, black iron and stainless steel.
- Available in double wall
- The LHTAD access doors have also been qualified for use with FyreWrap® fire rated grease duct enclosure systems. Listed by Intertek Testing Services; approved for FyreWrap Elite 1.5 Duct Insulation systems tested per ASTM E-2336 and UL 1978.



Profile

- Available sizes:
 - 10x06 Flat
 - 12x08 Flat**
 - 16x12 Flat
 - 18x14 Flat**
 - 10x06x 6" through 30"
 - 12x8x 10" through 20"
 - 16x12x 18" through 60"
- **Door is rectangular in shape**



Packaging

Item Code	Item Description	Packaging
LHTADxxxxBI	High Temp Access Door	Per Order

XXXX = Door Size, 106 for 10x6, 128 for 12x8
For Round Doors - Example: 1068 = 10x6x8

Access Door - LHTGDD Door

CONTACT

Office: 888.973.7600

1100 Ashwood Drive
Suite 1102
Canonsburg, PA 15317

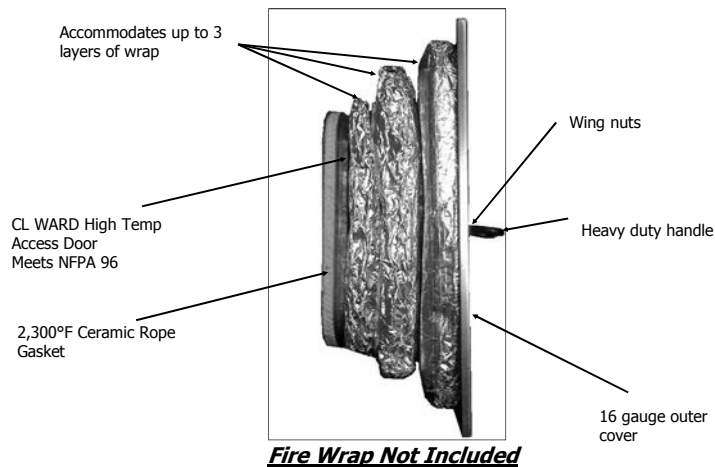
www.clward.com

Detail

- Quick installation
- Fabricated to accept 3 layers of grease duct wrap.
- No tools required to open and close the door.
- Access door outer cover is fabricated from 16 gauge.
- Threaded Rod Conduit enables clean and easy installation.
- CL WARD High Temp Access Door has 2,300°F ceramic rope gasket.
- Meets NFPA 96
- The LHTGDD access doors have also been qualified for use with FyreWrap® fire rated grease duct enclosure systems. Listed by Intertek Testing Services; approved for FyreWrap Elite 1.5 Duct Insulation systems tested per ASTM E-2336 and UL 1978.



Profile



Packaging

Item Code	Product Description	Packaging	Weight
LHTGDD106GA16	10x6 Grease Duct Access Door w/Outer Plate	Per Order	8 lbs/door
LHTGDD128GA16	12x8 Grease Duct Access Door w/Outer Plate	Per Order	10 lbs/door
LHTGDD1612GA16	16x12 Grease Duct Access Door w/Outer Plate	Per Order	12 lbs/door

View Door

CONTACT

Office: 888.973.7600

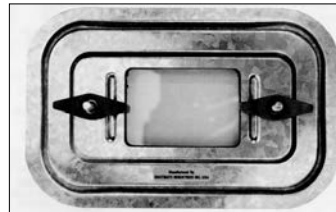
1100 Ashwood Drive
Suite 1102
Canonsburg, PA 15317

www.clward.com

Detail

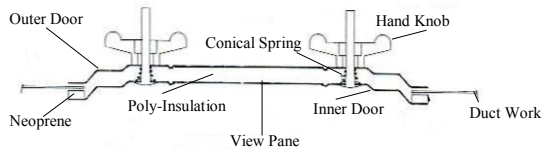
An easy solution for an access point where visual inspection may be needed.

- Tested to 20" w.g. with no leakage noted
- Stamped from 22 gauge
- Available in galvanized, 304 and 316 stainless and aluminum,
- Utilizes a closed cell neoprene gasket for optimum sealing
- Self adhesive template provided for easy installation
- Doors come with self stick template for easy installation



Profile

Available sizes: 10x6



Packaging

Item Code	Item Description	Packaging
LDO106GA	10x6 Observation Door	Per Order

Framed Access Doors

CONTACT

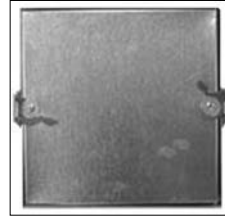
Office: 888.973.7600

1100 Ashwood Drive
Suite 1102
Canonsburg, PA 15317

www.clward.com

Detail

- High density fiberglass insulation with UL classification: FHC25/50
- Consist of two, 24 gauge galvanized steel panels, mechanically locked together
- Designed for up to 3" static pressure.
- R-Value of 5
- Available in CAM/CAM and HINGED/CAM
- Meets SMACNA requirements for low pressure doors
- High density, closed cell gasket, which has a service range of – 20° to 100°, is bonded to both the inside and outside of the dovetail frame.
- Dovetail Frames 6x6 to 12x12 are manufactured from 24 gauge Galvanized steel. Dovetail frames 14x14 to 24x24 are manufactured from 22 gauge galvanized steel.
- All frames are manufactured with spotwelds at each corner for increased strength
- Hinges are full length galvanized piano hinge secured to both the frame and door with three spot welds
- Cams are manufactured from 16 gauge galvanized steel and secured to the door with a rivet
- Latches are manufactured from 20 gauge galvanized steel and secured to the frame with two spot welds
- Access doors available with chains upon request
- **Frames available for 1" and 1.5" ductboard.**



CAMMED

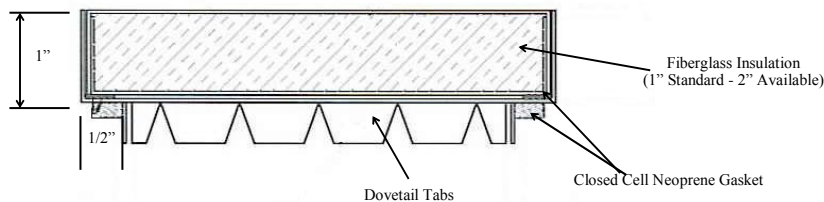


HINGED

Profile

Hinged Doors - 6"x 6" through 14" x 14" have one CAM lock
16" x 16" through 24" x 24" have two CAM locks

CAM Doors - 6" x 6" through 14" x 14" have two CAM locks
16" x 16" through 24" x 24" have four CAM locks



Packaging

CAM	HINGED	PRODUCT DESCRIPTION	PACKAGING	Weight
FDC6GA	FDH6GA	6X6 FRAMED DOOR	20/CARTON	31 lbs/carton
FDC8GA	FDH8GA	8X8 FRAMED DOOR	20/CARTON	45 lbs/carton
FDC10GA	FDH10GA	10X10 FRAMED DOOR	10/CARTON	30 lbs/carton
FDC12GA	FDH12GA	12X12 FRAMED DOOR	10/CARTON	39 lbs/carton
FDC14GA	FDH14GA	14X14 FRAMED DOOR	10/CARTON	50 lbs/carton
FDC16GA	FDH16GA	16X16 FRAMED DOOR	5/CARTON	30 lbs/carton
FDC18GA	FDH18GA	18X18 FRAMED DOOR	5/CARTON	38 lbs/carton
FDC22GA	FDH22GA	20X20 FRAMED DOOR	5/CARTON	45 lbs/carton
FDC24GA	FDH24GA	24X24 FRAMED DOOR	5/CARTON	60 lbs/carton



Press-On Framed Access Doors

CONTACT

Office: 888.973.7600

1100 Ashwood Drive
Suite 1102
Canonsburg, PA 15317

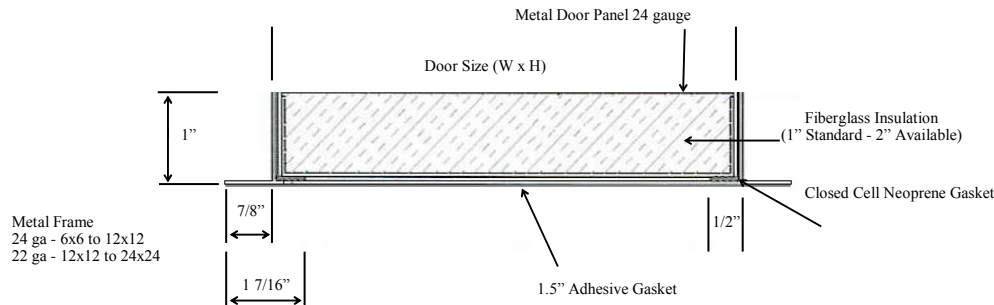
www.clward.com

Detail

- High density fiberglass insulation with UL classification: FHC25/50
- Consist of two, 24 gauge galvanized steel panels, mechanically locked together
- Designed for up to 3" static pressure.
- R-Value of 5
- Available in CAM/CAM and HINGED/CAM
- Meets SMACNA requirements for low pressure doors
- High density, closed cell gasket, which has a service range of – 20° to 100°, is bonded to the inside only of the press-on door frame. Press-on frame has a double sided adhesive gasket on the outside of the door frame that has a service range of -100° to 200°
- All frames are manufactured with spotwelds at each corner for increased strength
- Press-on doors have a durable double sided adhesive gasket that allows an easy installation to metal ductwork
- Hinges are full length galvanized piano hinge secured to both the frame and door with three spot welds
- Cams are manufactured from 16 gauge galvanized steel and secured to the door with a rivet
- Latches are manufactured from 20 gauge galvanized steel and secured to the frame with two spot welds
- Access doors available with chains upon request



Profile



Packaging

CAM	HINGED	PRODUCT DESCRIPTION	PACKAGING	Weight
FDPC6GA	FDPH6GA	6X6 FRAMED DOOR	20/CARTON	31 lbs/carton
FDPC8GA	FDPH8GA	8X8 FRAMED DOOR	20/CARTON	45 lbs/carton
FDPC10GA	FDPH10GA	10X10 FRAMED DOOR	10/CARTON	30 lbs/carton
FDPC12GA	FDPH12GA	12X12 FRAMED DOOR	10/CARTON	39 lbs/carton
FDPC14GA	FDPH14GA	14X14 FRAMED DOOR	10/CARTON	50 lbs/carton
FDPC16GA	FDPH16GA	16X16 FRAMED DOOR	5/CARTON	30 lbs/carton
FDPC18GA	FDPH18GA	18X18 FRAMED DOOR	5/CARTON	38 lbs/carton
FDPC22GA	FDPH22GA	20X20 FRAMED DOOR	5/CARTON	45 lbs/carton
FDPC24GA	FDPH24GA	24X24 FRAMED DOOR	5/CARTON ²⁰	60 lbs/carton



Framed Doors - High Pressure

CONTACT

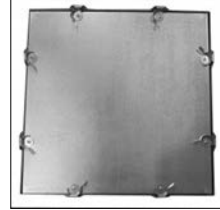
Office: 888.973.7600

1100 Ashwood Drive
Suite 1102
Canonsburg, PA 15317

www.clward.com

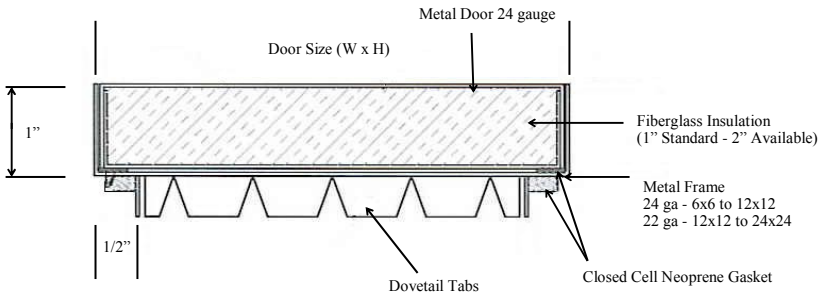
Detail

- High density fiberglass 1" insulation with UL classification: FHC25/50
- Consist of two, 24 gauge galvanized steel panels, mechanically locked together
- Tested to 10" static pressure with minimal leakage
- High density, closed cell gasket, which has a service range of – 20° to 100°, is bonded to both the inside and outside of the dovetail frame.
- Dovetail Frames 6x6 to 12x12 are manufactured from 24 gauge Galvanized steel. Dovetail frames 14x14 to 24x24 are manufactured from 22 gauge galvanized steel.
- All frames are manufactured with spotwelds at each corner for increased strength
- Cams are manufactured from 16 gauge galvanized steel and secured to the door with a rivet
- Latches are manufactured from 20 gauge galvanized steel and secured to the frame with two spot welds
- Available is galvanized, galvanized, stainless 304, stainless 316 and aluminized



Profile

Hinged Doors - 6" x 6" through 14" x 14" have one CAM lock
16" x 16" through 24" x 24" have two CAM locks



Packaging

Item Code	Door Size	# of Cams	Packaging	Weight
FDHPC6GA	6" x 6"	4	20	31 lbs
FDHPC8GA	8" x 8"	8	20	45 lbs
FDHPC10GA	10" x 10"	8	10	30 lbs
FDHPC12GA	12" x 12"	8	10	39 lbs
FDHPC14GA	14" x 14"	8	10	50 lbs
FDHPC16GA	16" x 16"	8	5	30 lbs
FDHPC18GA	18" x 18"	8	5	38 lbs
FDHPC20GA	20" x 20"	8	5	45 lbs
FDHPC24GA	24" x 24"	8	5	60 lbs

Butyl Gasket - WBG

CONTACT

Office: 888.973.7600

1100 Ashwood Drive
Suite 1102
Canonsburg, PA 15317

www.clward.com

Detail

Premium grade sealing tape for CL WARD four bolt connectors.

- Solids: 99.8%
- Color: Off-White (ASTM D1729-69)
- Specific Gravity: 1.60 ±.05 (ASTM D-71-72)
- 40% polymer content derived from butyl and proprietary co-polymers
- Fillers are inert and used as extenders and process aids
- Remaining compounds consists of antioxidants, fungicides, and organic processing aids
- Slump Resistance: 300°, 20 min, No slump
- Heat Resistance: 190°, 24 hours, No sag
- Density: 1.45 gm/cc+ .05
- Flash Point: 400°F-Penske Martens CC (ASTM E-134)
- Shelf and Service Life: 20 years minimum
- Life Expectancy: 20 years minimum
- Service Temperature: -65°F to 220°F
- Application Temperature: Above 40°F
- Water Resistance: Vacuum .75% max, Static 0%
- Oil Migration: None (applied to galvanized steel and subjected to a temperature of 158° for one week)
- Flexibility: No cracks when bent around a 1/4" mandrel after being subjected to 3 weeks at 158°F
- Adhesion: Excellent to most non-porous surfaces
- Specifications: MIL-C 0 18969 B, Type 2, Class B
- Elongation (%min): Over 300%
- UL 723 (ASTM E 84-84)
- Flame Spread: 5
- Smoke Developed: 5
- Military Specifications: M1 L-C- 18969B. Type II, Class B
- Federal Specification: TT-C- 1796A, Type II, Class B
- U.S.D.A. Acceptability: Product chemically acceptable to the U.S. Department of Agriculture for use in meat and poultry processing areas under Federal inspection
- F.D.A. Requirements: Meets Requirement 21CFR175.105
- No VOC's



Profile

- 3/16" x 5/8"

Packaging

Item Code	Item Description	Packaging	Weight
WBG	Butyl Gasket - 25' rolls	750 ft/case	57 lbs per case

TEE Gasket

CONTACT

Office: 888.973.7600

1100 Ashwood Drive
Suite 1102
Canonsburg, PA 15317

www.clward.com

Detail

Industrial grade butyl sealing tape for TDC and TDF Connections and other rectangular duct connections.



- Solids: 99.8%
- Color: Grey
- Hardness: 77°F - 9.0mm - 10.5mm max
- Shelf Life: 1 year minimum
- Life Expectancy: 20 years minimum
- Plasticizer Migration: No bleed/contact stain
- Staining: No bleed/contact skin
- Elongation & Webbing: 0°F 250% min., 77°F 800% min.
- Service Temperature: -40°F to 190°F
- Flexibility: Passes, no cracking or loss of adhesion
- Water Resistance: Vacuum .75% max, Static 0%
- Adhesion: Excellent to most non-porous surfaces
- Tested to the equivalent of UL 723 and ASTM E 84
- Flame Spread: 10
- Smoke Developed: 10
- No VOC's

Profile

- 3/16" x 5/8"

Packaging

Item Code	Item Description	Packaging	Weight
TEE GASKET	TEE GASKET Butyl Gasket	500 ft/case (25 ft rolls)	40 lbs/box

Neoprene Gasket (WNEO)

CONTACT

Office: 888.973.7600

1100 Ashwood Drive
Suite 1102
Canonsburg, PA 15317

www.clward.com

Detail

Sealing Tape For Four Bolt Connector, Round and Flat Oval Connections



- Hazardous Ingredients: None. This material is not made from chemical components that are known to present possible carcinogenic, mutagenic or other chronic hazards
- Odor: negligible
- Density: 3.0 to 14.0 lbs. per cubic foot
- Percent, volatile by volume: 0
- Flash point: n/a
- Extinguishing media: Water spray, dry chemical, CO2
- Special fire fighting procedures: self contained breathing apparatus
- Unusual fire and explosion hazards: Toxic fire/gas hazard includes hydrogen chloride, a pulmonary irritant
- Oil Resistance: E1/E2 ASTM D 1056 78
- 25% Compression Resistance (PSI): 4.0 to 4.5 ASTM D 1667
- 50% Compression Set, Max (%) 25.0 ASTM D 1056 78
- Linear Shrinkage, Max 24hrs @ 158°(%) 3.0
- Flammability (Burning rate, in/min MVS 302, Horizontal strip 4x141/2x1/2" 4
- Flammability UL94 V- (1/2" and above) PASS
- Flammability UL94HBF (1/8" and above) PASS
- Flammability-FAR 25.853 A (1/4" sample) FAR 25.853 B PASS
- Water Absorbtion, Max % 5 ASTM D 1667
- Cold Crack (180° bend), min 1/2" mandrel within 5 sec – 40 MIL P 15280
- Thermal Conductivity, Max (BTU/in/hr/sq.ft.0°F) .30 ASTM C 177
- Tensile Strength, Min (psi) 90 ASTM D 412
- Elongation, Min(%) 175 ASTM D 412
- Durometer, Shore 00: 40+/-5
- Temperature range, High Continuous: 150°
- Temperature range, High Intermittent: 200°
- Flame Spread: 10 ASTM E 84
- Fuel Contribution: 0 ASTM E 84
- Smoke Density: 0 ASTM E 84



Packaging

Item	Description	Packaging	Weight
WNEO	Neoprene Gasket - 5/16" x 3/4"	750 ft/box	15 lbs/box

Neoprene Gasket-HD (WNEOHD)

Detail

The CL WARD WNEOHD is a closed cell rubber based sealing tape. For use between duct work flange for an airtight seal. It is also a great gasket to use when ducts must be disassembled for cleaning and inspection purposes.

- Color: Black
- Service Temperature: -40° to 250°F
- Flammability Specifications: UL94 HF-1 Listed
- UL157, UL50E, UL508 Listed
- Water Absorption: 5%
- Density: 4-8 (pcf) average
- Compression Deflection: 2-5 psi



Profile

- Item Code: WNEOHD
- 5/16" x 3/4"
- 50 ft rolls - 750 ft per carton
- 15 lbs per box

Packaging

Item	Description	Packaging	Weight
WNEOHD	Neoprene Gasket - 5/16" x 3/4" - High Density	750 ft/box	15 lbs/box

CONTACT

Office: 888.973.7600

1100 Ashwood Drive
Suite 1102
Canonsburg, PA 15317

www.clward.com

Turning Vane & Rail

CONTACT

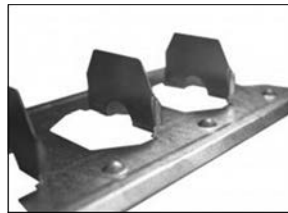
Office: 888.973.7600

1100 Ashwood Drive
Suite 1102
Canonsburg, PA 15317

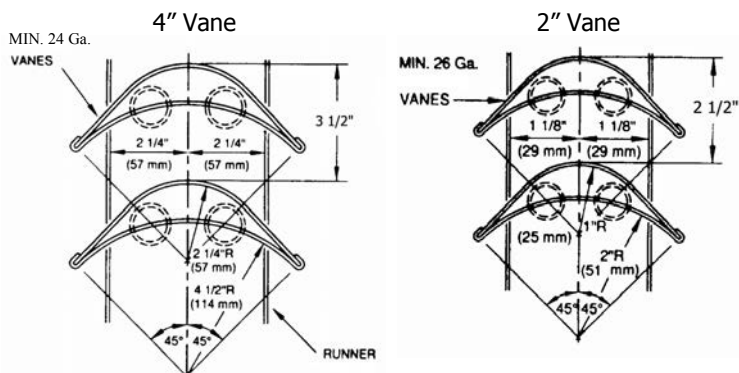
www.clward.com

Detail

- Vane: Available in 2" and 4"
- Rail: Available in 2" and 4"
- Available in galvanized, stainless, and aluminum
- Available in 4" Acoustical
- Vane conforms to SMACNA Standards
- Rail conforms to SMACNA Standards
- Easily attach vane without the need of fasteners
- Strong "dimple lock" to ensure vane walls stay together



Profile



Packaging

Item	Description	Gauge	Ft./Bundle	Wt./Bundle
2VGA26	2" Vane	26	100	43 lbs
L2RGA22	2" Regular Rail	22	100	39 lbs
4VGA24	4" Vane	24	50	65 lbs
L4RGA22	4" Regular Rail	22	100	73 lbs
4AVGA24	4" Acoustical Vane	24	50	66 lbs

Speedy Rail

CONTACT

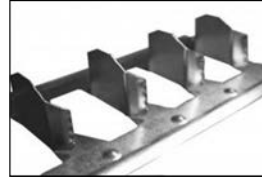
Office: 888.973.7600

1100 Ashwood Drive
Suite 1102
Canonsburg, PA 15317

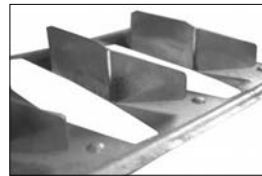
www.clward.com

Detail

- Available in 2" and 4"
- Manufactured from 22 gauge
- Available in galvanized, stainless, and aluminum
- Conforms to SMACNA Standards with 2 1/8" tab spacing on the 2" rail and 3 1/4" spacing on the 4" rail
- "Winged" profile for extra strong hold



2" SpeedyRail



4" SpeedyRail

Profile



The "Serrated Edge" of the SpeedyRail™ provide a tight installation keeping the vane in place



The "Serrated Edge" have been specially designed to keep the vane from moving once the vane is installed onto the rail

Also shown are the rail dimples that provide easy stacking

Packaging

Item	Description	Gauge	Ft./Bundle	Wt./Bundle
LP2RGA22	2" SpeedyRail	22	100	39 lbs
LP4RGA22	4" SpeedyRail	22	100	73 lbs

Acoustical Vane

CONTACT

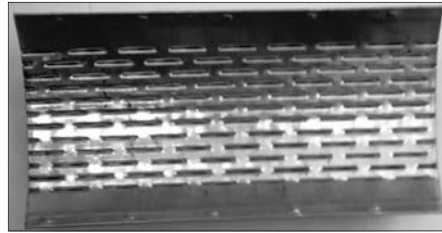
Office: 888.973.7600

1100 Ashwood Drive
Suite 1102
Canonsburg, PA 15317

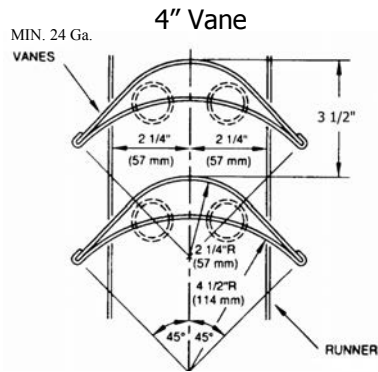
www.clward.com

Detail

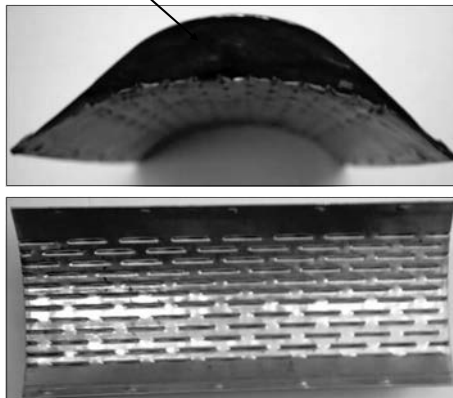
- Available in 4" only
- Available in galvanized, stainless, and aluminum
- Vane conforms to SMACNA Standards
- Roll formed with fiberglass insulation
- Reduces noise



Profile



Fiberglass Insulation



Perforation is 1" x 1/8"
Spacing between perforation is 1/2"

Packaging

Item Code	Item Description	Packaging	Weight
4AVGA24	4" Acoustical Vane	100 ft/bundle	66 lbs/bundle

UniRail

CONTACT

Office: 888.973.7600

1100 Ashwood Drive
Suite 1102
Canonsburg, PA 15317

www.clward.com

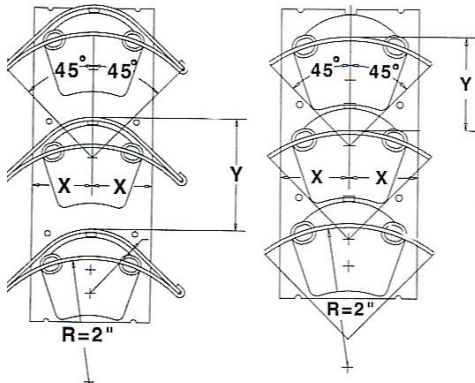
Detail

Single wall rail system

- Available in 2" and 4"
- Stamped from hot-dipped galvanized steel
- Conforms to SMACNA Standards



Profile



Size (Double and Single Wall)	X	Y
2" UniRail	1 1/8"	1 1/2"
4" UniRail	2 1/4"	3 1/4"

Packaging

Item Code	Item Description	Packaging	Weight
LSW2GA24	2" UniRail	200 ft/box	40 lbs/box
LSW4GA24	4" UniRail	100 ft/box	40 lbs/box

Trapeze Hanger

CONTACT

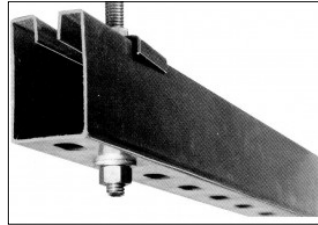
Office: 888.973.7600

1100 Ashwood Drive
Suite 1102
Canonsburg, PA 15317

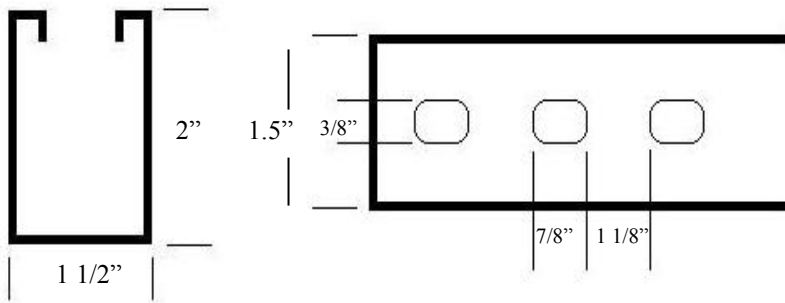
www.clward.com

Detail

- 18 gauge
- 10' and 20' lengths
- Pre-punched slots at 2" centers
- Isolation pad available for reducing noise
- SMACNA "I" Strength
- Trapeze Washer available
- Very cost effective
- Isolation pad available



Profile



Packaging

Item Code	Item Description	Packaging	Weight
TRAP0310GA	Trapeze 10'	150 ft/bundle	150 lbs/bundle
TRAP05GA	Trapeze 20'	500 ft/bundle	625 lbs/bundle
LTWGA	Trapeze Washer	150 pcs/box	20 lbs/box

Spiral Hanger

CONTACT

Office: 888.973.7600

1100 Ashwood Drive
Suite 1102
Canonsburg, PA 15317

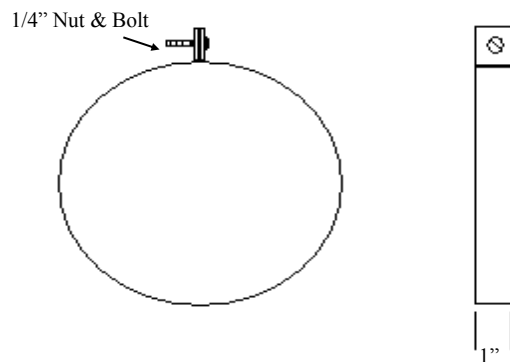
www.clward.com

Detail

- 20 gauge
- Available in 4" to 20"
- 1/4" nut and bolt included
- Odd sizes available



Profile



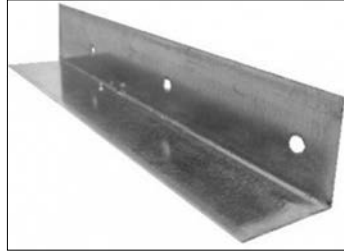
Packaging

Item Code	Product Description	Packaging
RDH04GA20	Spiral Hanger, 4"	100 pcs/box
RDH06GA20	Spiral Hanger, 6"	100 pcs/box
RDH08GA20	Spiral Hanger, 8"	100 pcs/box
RDH10GA20	Spiral Hanger, 10"	100 pcs/box
RDH12GA20	Spiral Hanger, 12"	100 pcs/box
RDH14GA20	Spiral Hanger, 14"	50 pcs/box
RDH16GA20	Spiral Hanger, 16"	50 pcs/box
RDH18GA20	Spiral Hanger, 18"	50 pcs/box
RDH20GA20	Spiral Hanger, 20"	50 pcs/box

Punched Angle

Detail

- Available in 14,16, and 18 gauge
- Available in 1 1/2", 2", and 2 1/2"
- Pre-Punched 7/32" holes
- Great for mounting fire dampers



Packaging

Item Code	Item Description	Packaging	Weight
AI1.510GA141000	1.5 x 1.5 14 ga. - 10 ft bundle	1000'/bundle	730 lbs/bundle
AI1.510GA14500	1.5 x 1.5 14 ga. - 10 ft bundle	500'/bundle	365 lbs/bundle
AI1.512GA16600	1.5 x 1.5 16 ga. - 12 ft bundle	600'/bundle	372 lbs/bundle
AI1.510GA161000	1.5 x 1.5 16 ga. - 10 ft bundle	1000'/bundle	620 lbs/bundle
AI1.510GA16500	1.5 x 1.5 16 ga. - 10 ft bundle	500'/bundle	310 lbs/bundle
AI1.510GA181000	1.5 x 1.5 18 ga. - 10 ft bundle	1000'/bundle	480 lbs/bundle
AI1.510GA18500	1.5 x 1.5 18 ga. - 10 ft bundle	500'/bundle	240 lbs/bundle
AI210GA141000	2 x 2 14 ga. - 10 ft bundle	1000'/bundle	1040 lbs/bundle
AI210GA14500	2 x 2 14 ga. - 10 ft bundle	500'/bundle	520 lbs/bundle
AI210GA161000	2 x 2 16 ga. - 10 ft bundle	1000'/bundle	870 lbs/bundle
AI210GA16500	2 x 2 16 ga. - 10 ft bundle	500'/bundle	435 lbs/bundle
AI210GA181000	2 x 2 18 ga. - 10 ft bundle	1000'/bundle	1180 lbs/bundle
AI210GA18500	2 x 2 18 ga. - 10 ft bundle	500'/bundle	554 lbs/bundle
AI2.510GA141000	2.5 x 2.5 14 ga. - 10 ft bundle	1000'/bundle	2328 lbs/bundle
AI2.510GA14500	2.5 x 2.5 14 ga. - 10 ft bundle	500'/bundle	1164 lbs/bundle
AI2.510GA161000	2.5 x 2.5 16 ga. - 10 ft bundle	1000'/bundle	1924 lbs/bundle
AI2.510GA16500	2.5 x 2.5 16 ga. - 10 ft bundle	500'/bundle	962 lbs/bundle
AI2.510GA181000	2.5 x 2.5 18 ga. - 10 ft bundle	1000'/bundle	2126 lbs/bundle
AI2.510GA18500	2.5 x 2.5 18 ga. - 10 ft bundle	500'/bundle	1063 lbs/bundle
LA2GA20-4	2" x 2" x 4' 20ga		

CONTACT

Office: 888.973.7600

1100 Ashwood Drive
Suite 1102
Canonsburg, PA 15317

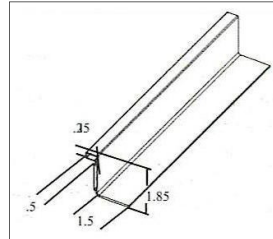
www.clward.com

Z-Bar

Detail

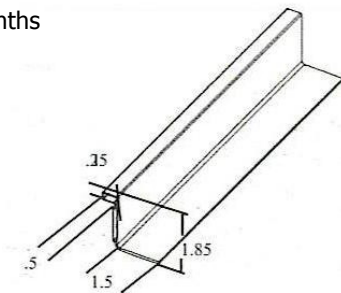
Intermediate Duct Reinforcement

- Roll formed from 24 gauge
- Classification conforms to SMACNA "H" equivalent
- Light weight
- Easy to use
- Cost effective



Profile

- 20 ft lengths



Intermediate reinforcement for rectangular duct.
Fasten with 3/4" of vertical duct wall and then 8" on center.

Packaging

Item	Description	Packaging	Weight
DLST15GA	Z-Bar Reinforcement	1,500 ft/bundle	1,005 lbs/bundle

CONTACT

Office: 888.973.7600

1100 Ashwood Drive
Suite 1102
Canonsburg, PA 15317

www.clward.com

Hanger Strap

Detail

- 1" Width
- Convenient carrying handle
- Easy to dispense box design
- Available in galvanized and stainless steel
- Available in 100' and 200' boxes, depending on gauge
- Available in 10' bundles
- Available in 50 lbs coils—20" I.D. with 25" O.D.
- Coils are banded with metals straps
- Perfect for small or difficult installations



CONTACT

Office: 888.973.7600

1100 Ashwood Drive
Suite 1102
Canonsburg, PA 15317

www.clward.com

Packaging

Item Code	Item Description	Packaging	Weight
L1BSTGA16	1" Boxed Strapping 16 ga.	100'/box	22 lbs/box
L1BSTGA18	1" Boxed Strapping 18 ga.	100'/box	17 lbs/box
L1BSTGA20	1" Boxed Strapping 20 ga.	100'/box	12 lbs/box
L1BSTGA22	1" Boxed Strapping 22 ga.	200'/box	21 lbs/box
L1BSTGA24	1" Boxed Strapping 24 ga.	200'/box	17 lbs/box
L1BSTGA26	1" Boxed Strapping 26 ga.	200'/box	15 lbs/box
1STGA16	1" Bundled Strapping 16ga.	100'/bundle	22 lbs/bundle
1STGA18	1" Bundled Strapping 18ga.	100'/bundle	17 lbs/bundle
1STGA20	1" Bundled Strapping 20ga.	100'/bundle	12 lbs/bundle
1STGA22	1" Bundled Strapping 22ga.	100'/bundle	11 lbs/bundle
1STGA24	1" Bundled Strapping 24ga.	100'/bundle	9 lbs/bundle
1STGA26	1" Bundled Strapping 26ga.	100'/bundle	8 lbs/bundle
1CST50GA22	1" Strapping - Coils	50 lbs/coil	50 lbs/coil

Vibration Hanger

Detail

Vibration isolation hanging system.

- Prevents vibration noise transmission from air ducts and other ventilation devices to parts of the building
- Hanger has a load scale imprinted on the side
- Tension brackets have a much greater load-bearing capacity than the corresponding threaded rods
- For 3/8" Threaded Rod
- Load-bearing capacity of 1,100 lbs.



CONTACT

Office: 888.973.7600

1100 Ashwood Drive
Suite 1102
Canonsburg, PA 15317

www.clward.com

Profile

The sturdy tension brackets have a much stronger load bearing capacity than the corresponding threaded rods.

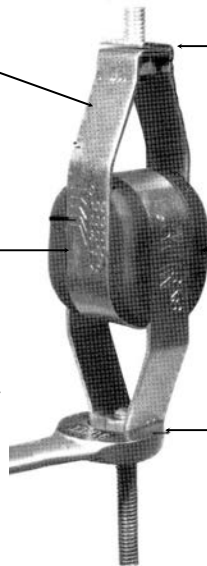
The open space corresponds to the width of the nut preventing the nut from turning.

Integrated load scale

The rubber padding prevents vibrations from being transmitted.

Overall length 5 7/8"
Overall width 1 13/16" x 1 13/16"

Outside dimension corresponds to an ordinary wrench size.



Packaging

Item Code	Item Description	Packaging	Weight
L2723SI	Vibration Hanger	Single Unit	.74 lbs/unit

Strap Buckle

CONTACT

Office: 888.973.7600

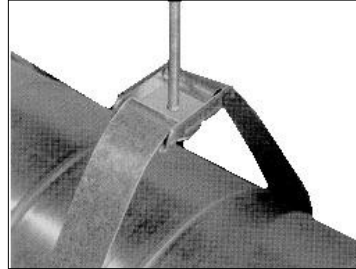
1100 Ashwood Drive
Suite 1102
Canonsburg, PA 15317

www.clward.com

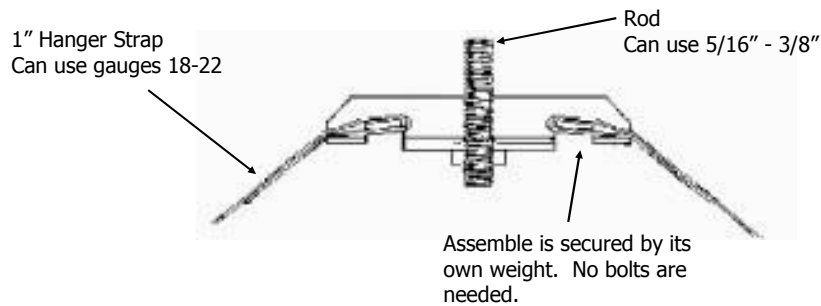
Detail

Economical and quick hanging system for round duct work. Works great for exposed installations.

- No tools required
- Made from galvanized steel
- Provides a suspension point for a hanger rod
- Accommodates 5/16" through 3/8" hanger rod
- Accommodates 1" x 18 GA through 22 GA strapping
- Load rating of 660 lbs.
- Meets SMACNA standards for use on ducts up through 36" round when installed at maximum of 12' spacing



Profile



Packaging

Item Code	Item Description	Packaging	Weight
LSBGA	Strap Buckle	200 pcs/box	27.50 lbs/box

Hang-Fast

CONTACT

Office: 888.973.7600

1100 Ashwood Drive
Suite 1102
Canonsburg, PA 15317

www.clward.com

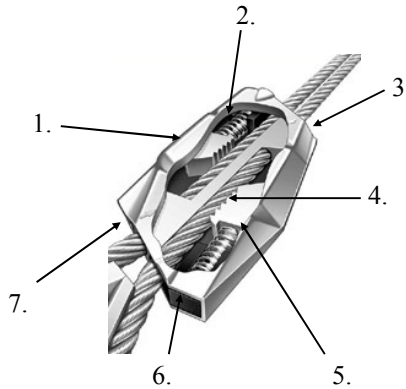
Detail

- No special tools required
- Meets all mechanical codes
- Dramatically reduces installation time
- Patented
- No welding required
- Available in a variety of sizes
- Independently tested and carries a safety factor of 5:1



Profile

1. **Zinc Housing**- Provides anti-corrosion properties with strength and consistent manufacturing quality.
2. **Stainless Springs**- Type 302 S26. One spring in each channel.
3. **Setting Key**- Entry hole.
4. **Serrated Teeth**- Enables a strong grip on the wire rope without sacrificing wire rope strength. Found in each wire rope channel.
5. **Locking Wedges**- Provides a locking type grip on the wire rope which only allows one way entry.
6. **End-Cap**- Plastic end-cap holds the spring in place.
7. **Setting Key** - Entry hole.



Packaging

Item Code	Description	Qty per Case
HF0105	#1 Hang-Fast 5 ft.	150
HF0110	#1 Hang-Fast 10ft.	100
HF0115	#1 Hang-Fast 15ft.	80
HF0130	#1 Hang-Fast 30ft.	50
HF0205	#2 Hang-Fast 5 ft.	100
HF0210	#2 Hang-Fast 10ft.	100
HF0215	#2 Hang-Fast 15ft.	100
HF0230	#2 Hang-Fast 30ft.	50
HF0305	#3 Hang-Fast 5 ft.	100
HF0310	#3 Hang-Fast 10ft.	50
HF0315	#3 Hang-Fast 15ft.	50
HF0330	#3 Hang-Fast 30ft.	25
HF0415	#4 Hang-Fast 15ft.	20
HF0430	#4 Hang-Fast 30ft.	10
HF0515	#5 Hang-Fast 15ft.	8
HF0530	#5 Hang-Fast 30ft.	6

S-Seal

Qualifies for LEED Credit EQ 4.1

Detail

Premium grade water based duct sealant

- Fire Resistant
- UL 723 Classification
- UL 181B-M Listed
- Extremely Flexible
- Water Based
- For applications up to 15" w.g.
- Resists Mildew
- Indoor or Outdoor use
- Base: Synthetic latex emulsion
- Color: Gray
- Type: Water Base
- Weight: 11±.2 lbs per gallon
- Solid Contents: 66% ±2%
- Viscosity: 350,000 c.p.s.
- Application Temp: 35°F to 100°F
- Service Temp: -25°F to 175°F
- Storage Temp: 40°F to 85°F
- Dry To Touch: 1 hour (approx.)
- Cure Time: 24 to 72 hours + (depending on humidity, application, and temperature)
- Shore A Hardness of 65 +/-
- Flammability: Non-flammable in both wet and dry state
- Flash Point: No flash to boiling
- Mildew Resistance: Excellent
- Water Resistance: Excellent
- Flexibility: Excellent
- Freeze Thaw Stability: 5 cycles
- Coverage: 25 sq.ft./gal. at 1/16" sq.ft./gal. at 1/32" 50
- Odor: Mild (wet) None (dry)
- Shelf Life: 1 year
- Cured Sealant: Tough and permanently flexible
- Flame Spread: 0
- Smoke Developed: 0
- Ultraviolet Ray and Ozone resistant
- LEED Compliant

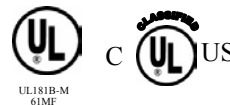


CONTACT

Office: 888.973.7600

1100 Ashwood Drive
Suite 1102
Canonsburg, PA 15317

www.clward.com



Packaging

Item	Description	Packaging	Weight
SUPERSEALT	S-Seal 11oz Tube	25 tubes/case	25 lbs/case
SUPERSEAL1	S-Seal 1 gal	4 gallon/case	50 lbs/case
SUPERSEAL5	S-Seal 5 gal	Each	64 lbs/pail
SUPERSEAL54	S-Seal 54 gal	Each	700 lbs/drum



S-Seal Spray

Qualifies for LEED Credit EQ 4.1

Detail

Premium grade water based **"SPRAYABLE"** duct sealant.

- Fire Resistant
- UL 723 Classification
- UL 181B-M Listed
- Conforms to Requirements of NFPA 90A and 90B
- Tested to 15" w.g.
- Extremely Flexible
- Water Based
- Resists Mildew
- Base: Synthetic latex emulsion
- Color: Gray
- Type: Water Base
- Weight: 11±.2 lbs per gallon
- Solid Contents: 66% ±2%
- Viscosity: 80,000 c.p.s.
- Application Temp: 35°F to 100°F
- Service Temp: -25°F to 175°F
- Storage Temp: 40°F to 85°F
- Dry To Touch: 1 hour (approx.)
- Cure Time: 24 to 72 hours + (depending on humidity, application, and temperature)
- Flammability: Non-flammable in both wet and dry state
- Flash Point: No flash to boiling
- Mildew Resistance: Excellent
- Water Resistance: Excellent
- Flexibility: Excellent
- Freeze Thaw Stability: 5 cycles
- Coverage: 25 sq.ft./gal. at 1/16" 50 sq.ft./gal. at 1/32"
- Odor: Mild (wet) None (dry)
- Shelf Life: 1 year
- Cured Sealant: Tough and permanently flexible
- Flame Spread: 0
- Smoke Developed: 0
- Ultraviolet Ray and Ozone resistant
- LEED Compliant



CONTACT

Office: 888.973.7600

1100 Ashwood Drive
Suite 1102
Canonsburg, PA 15317

www.clward.com

Packaging

Item	Description	Packaging	Weight
SUPERSEALSPRAY5	S-Seal Spray 5 gal	each	64 lbs/pail

S-Seal Fiber Reinforced

Qualifies for LEED Credit EQ 4.1

Detail

Premium grade FIBER REINFORCED water based duct sealant

- Fire Resistant
- UL 723 Classification
- UL 181B-M Listed
- Extremely Flexible
- Water Based
- For applications up to 15" w.g.
- Resists Mildew
- Indoor or Outdoor use
- Base: Synthetic latex emulsion
- Color: Gray
- Type: Water Base
- Weight: 11±.2 lbs per gallon
- Solid Contents: 66% ±2%
- Viscosity: 350,000 c.p.s.
- Application Temp: 35°F to 100°F
- Service Temp: -25°F to 175°F
- Storage Temp: 40°F to 85°F
- Dry To Touch: 1 hour (approx.)
- Cure Time: 24 to 72 hours + (depending on humidity, application, and temperature)
- Flammability: Non-flammable in both wet and dry state
- Flash Point: No flash to boiling
- Mildew Resistance: Excellent
- Water Resistance: Excellent
- Flexibility: Excellent
- Freeze Thaw Stability: 5 cycles
- Coverage: 25 sq.ft./gal. at 1/16"
50 sq.ft./gal. at 1/32"
- Odor: Mild (wet) None (dry)
- Shelf Life: 1 year
- Cured Sealant: Tough and permanently flexible
- Flame Spread: 5
- Smoke Developed: 5
- Ultraviolet Ray and Ozone resistant
- LEED Compliant



CONTACT

Office: 888.973.7600

1100 Ashwood Drive
Suite 1102
Canonsburg, PA 15317

www.clward.com

Packaging

Item	Description	Packaging	Weight
FRSUPERSEALT	S-Seal Fiber Reinforced 11oz Tube	25 tubes/case	25 lbs/case
FRSUPERSEAL1	S-Seal Fiber Reinforced 1 gal	4 gallon/case	50 lbs/case
FRSUPERSEAL5	S-Seal Fiber Reinforced 5 gal	Each	64 lbs/pail
FRSUPERSEAL54	S-Seal Fiber Reinforced 54 gal	Each	700 lbs/drum



Detail

Industrial grade water based duct sealant.

- Fire Resistant
- UL 723 Classification
- UL 181B-M Listed
- Non-Flammable
- Water Based
- Resists Mildew
- Base: Synthetic latex emulsion
- Recommended up to 10" wg
- Color: Gray
- Type: Water Base
- Paintable: Latex or Epoxy Paints
- Great for indoor and outdoor use
- Weight: 10.9±.2 lbs per gallon
- Solid Contents: 62% ±2%
- Viscosity: 225,000 c.p.s.
- Application Temp: 35°F to 110°F
- Service Temp: -25°F to 200°F
- Storage Temp: 35°F to 110°F
- Dry To Touch: 1 hour (approx.)
- Cure Time: 24 to 72 hours + (depending on humidity, application, and temperature)
- Flammability: Non-flammable in both wet and dry state
- Flash Point: No flash to boiling
- Mildew Resistance: Excellent
- Water Resistance: Excellent
- Flexibility: Excellent
- Freeze Thaw Stability: 5 cycles
- Odor: Mild (wet) None (dry)
- Shelf Life: 1 year (unopened container)
- Cured Sealant: Tough and flexible
- Flame Spread: 5
- Smoke Developed: 0
- UV Resistant
- LEED Compliant



CONTACT

Office: 888.973.7600

1100 Ashwood Drive
Suite 1102
Canonsburg, PA 15317

www.clward.com

Packaging

Item	Description	Packaging	Weight
ECOSEALT	EcoSeal 11oz Tube	25 tubes/case	25 lbs/case
ECOSEAL1	EcoSeal 1 gal	4 gallon/case	50 lbs/case
ECOSEAL5	EcoSeal 5 gal	Each	64 lbs/pail
ECOSEAL54	EcoSeal 54 gal	Each	700 lbs/drum

EcoSeal Fiber Reinforced

Qualifies for LEED Credit EQ 4.1

Detail

Industrial grade FIBER REINFORCED water based duct sealant.

- Fire Resistant
- UL 723 Classification
- UL 181B-M Listed
- Non-Flammable
- Water Based
- Resists Mildew
- Base: Synthetic latex emulsion
- Recommended up to 10" wg
- Color: Gray
- Type: Water Base
- Paintable: Latex or Epoxy Paints
- Great for indoor and outdoor use
- Weight: 10.9±.2 lbs per gallon
- Solid Contents: 62% ±2%
- Viscosity: 225,000 c.p.s.
- Application Temp: 35°F to 110°F
- Service Temp: -25°F to 200°F
- Storage Temp: 35°F to 110°F
- Dry To Touch: 1 hour (approx.)
- Cure Time: 24 to 72 hours + (depending on humidity, application, and temperature)
- Flammability: Non-flammable in both wet and dry state
- Flash Point: No flash to boiling
- Mildew Resistance: Excellent
- Water Resistance: Excellent
- Flexibility: Excellent
- Freeze Thaw Stability: 5 cycles
- Odor: Mild (wet) None (dry)
- Shelf Life: 1 year (unopened container)
- Cured Sealant: Tough and flexible
- Flame Spread: 5
- Smoke Developed: 0
- UV Resistant
- LEED Compliant



CONTACT

Office: 888.973.7600

1100 Ashwood Drive
Suite 1102
Canonsburg, PA 15317

www.clward.com

Packaging

Item	Description	Packaging	Weight
FRECOSEALT	EcoSeal 11oz Tube - w/Fiber	25 tubes/case	25 lbs/case
FRECOSEAL1	EcoSeal 1 gal - w/Fiber	4 gallon/case	50 lbs/case
FRECOSEAL5	EcoSeal 5 gal - w/Fiber	Each	64 lbs/pail
FRECOSEAL54	EcoSeal 54 gal - w/Fiber	Each	700 lbs/drum



S-Seal Solvent

CONTACT

Office: 888.973.7600

1100 Ashwood Drive
Suite 1102
Canonsburg, PA 15317

www.clward.com

Detail

Premium grade solvent based duct sealant.

- UL Classified
- Permanently Flexible
- Fast Drying
- Will not drip or sag
- High water resistance
- For use in applications to 15" w.g.
- Low brush drag
- Excellent spreadability
- Minimal shrinkage
- Excellent adhesion to metal
- Indoor or outdoor use
- Superior sealing strength
- Conforms of requirements of NFPA 90A and 90B
- Mildew resistant
- U.S.D.A. chemically acceptable
- Base: Synthetic rubber
- Color: Grey
- Type: Solvent Base
- Weight: 9 lbs per gallon
- Solid Contents: 51%
- Viscosity: 150,000 cps
- Application Temperature: 0°F to 110°F
- Cure Temperature: 40°F to 110°F
- Service Temperature: -20°F to 190°F
- Storing Conditions: Room temperature (w/cross ventilaiton)
- Dry to Touch: 15 minutes
- Cure Time: 24 to 72 hours (depending on humidity,application and temperature)
- Flammability: (wet) Extremely Flammable, Flash Point -4°F
- Mildew Resistance: Excellent
- Water Resistance: Excellent
- Coverage: 25 sq.ft./gallon at 1/16" - 12.5 sq.ft./gallon at 1/8"
- Odor: Mild solvent (wet) None (dry)
- Shelf Life: 1 year (unopened container)
- Cured State: Tough and permanently flexible
- DOT Shipping Information: Flammable Liquid, N.O.S., 3, UN 1993, PG III. (Hexane CAS 110-54-3)
- Flame Spread - 5 Smoke Developed - 0



Packaging

Item	Description	Packaging	Weight
WSS11	S-Seal Solvent 11oz Tube	25 tubes/case	25 lbs/case
WSS1	S-Seal Solvent 1 gal	4 gallon/case	36 lbs/case

Duct Liner Adhesive

Qualifies for LEED Credit EQ 4.1

Detail

Premium grade duct liner adhesive.

- Water Based
- UL Classified
- Fast Dry Time
- Exceptional Coverage
- Water Resistant
- Cleans with soap and water or mineral spirits
- Excellent Tack
- Base: Synthetic Latex
- Color: Black
- Solvent: Water
- Weight per Gallon: 9.5 ± 0.5 lbs.
- Solids: 44 ± 2%
- Viscosity: 6,500 CP ± 1,000 CP
- Application Temp: 40°F to 90°F
- Storage Temp: 40°F to 90°F
- Dry Time: 10-20 minutes, depending on temperature, humidity, and application thickness
- Flammability: None
- Flash Point: No flash to boiling
- Coverage: Approximatley 500 sq.ft./gal., depending on application technique
- Freeze Thaw Stability: 5 cycles
- Shelf Life: (Unopened containers) 1 year
- Flame Spread: 0
- Smoke Developed: 0
- Meets ASTM C 916 Type II
- Meets NFPA 90A & 90B
- LEED Compliant



CONTACT

Office: 888.973.7600

1100 Ashwood Drive
Suite 1102
Canonsburg, PA 15317

www.clward.com

Packaging

Item	Description	Packaging	Weight
DLADHESIVE5	Duct Liner Adhesive - Black 5 gal pail	Each	46 lbs/pail
DLADHESIVE54	Duct Liner Adhesive - Black 54 gal drum	Each	555 lbs/drum
DLADHESIVE5W	Duct Liner Adhesive - White 5 gal pail	Each	46 lbs/pail
DLADHESIVE54W	Duct Liner Adhesive - White 54 gal drum	Each	555 lbs/drum

Duct Liner Adhesive - HV

Qualifies for LEED Credit EQ 4.1

Detail

Premium grade high viscosity duct liner adhesive.

- Water Based
- UL Classified
- Fast Dry Time
- Exceptional Coverage
- Water Resistant
- Cleans with soap and water or mineral spirits
- Excellent Tack
- Base: Synthetic Latex
- Color: Black
- Solvent: Water
- Weight per Gallon: 9.5 ± 0.5 lbs.
- Solids: 44 ± 2%
- Viscosity: 15,000 CP ± 1,000 CP
- Application Temp: 40°F to 90°F
- Storage Temp: 40°F to 90°F
- Dry Time: 10-20 minutes, depending on temperature, humidity, and application thickness
- Flammability: None
- Flash Point: No flash to boiling
- Coverage: Approximatley 500 sq.ft./gal., depending on application technique
- Freeze Thaw Stability: 5 cycles
- Shelf Life: (Unopened containers) 1 year
- Flame Spread: 0
- Smoke Developed: 0
- Meets ASTM C 916 Type II
- Meets NFPA 90A & 90B
- LEED Compliant



CONTACT

Office: 888.973.7600

1100 Ashwood Drive
Suite 1102
Canonsburg, PA 15317

www.clward.com

Packaging

Item	Description	Packaging	Weight
DLADHESIVEHV5	High Viscosity D L Adhesive - Black 5 gal pail	Each	46 lbs/pail
DLADHESIVEHV54	High Viscosity D L Adhesive - Black 54 gal drum	Each	555 lbs/drum
DLADHESIVEHV5W	High Viscosity D L Adhesive - White 5 gal pail	Each	46 lbs/pail
DLADHESIVEHV54W	High Viscosity D L Adhesive - White 54 gal drum	Each	555 lbs/drum

SuperSpray

Qualifies for LEED Credit EQ 4.1

Detail

Premium quality, pressure sensitive adhesive for a quick permanent tack. A great product for bonding insulation or other materials to smooth nonporous surfaces.

- Pressure sensitive
- Methylene chloride based
- Non-flammable
- Solvent base
- Green in color
- Service Temperature: -30° to 160°F
- Application Temperature: 60° to 90°F
- Storage Temperature: Below 120° F
- Flammability: None
- Flashpoint: None
- Freeze thaw: Does not apply
- Coverage: 12 lb - 1,200 sq.ft. to 1,385 sq.ft.
40 lb - 4,000 sq.ft. to 4,600 sq.ft.
- Bonding time: 1 to 10 minutes (Depending on applicatoion rate)
- Shelf life: 1 year
- High solids content (25%)
- Easy application
- Exptremely quick tack
- Strong permanent bond
- Meets DOT 39 NRC
- Non-Flammable in wet and dry state
- Ultraviolet Ray and Ozone resistant
- LEED Compliant



CONTACT

Office: 888.973.7600

1100 Ashwood Drive
Suite 1102
Canonsburg, PA 15317

www.clward.com

Packaging

Item	Description	Packaging	Weight
SUPERSPRAY12	SuperSpray 12# Canister	Each	12 lbs
SUPERSPRAY40	SuperSpray 40# Canister	Each	40 lbs
SSH6	SuperSpray Hose 6 ft	Each	2 lbs
SSH8	SuperSpray Hose 8 ft	Each	5 lbs
SSH12	SuperSpray Hose 12 ft	Each	4 lbs
SSH18	SuperSpray Hose 18 ft	Each	6 lbs
SSG	SuperSpray Gun	Each	4 lbs

SuperSpray-Can

CONTACT

Office: 888.973.7600

1100 Ashwood Drive
Suite 1102
Canonsburg, PA 15317

www.clward.com

Detail

Solvent based fiberglass duct liner adhesive.

- Base: Synthetic Rubber
- Color: White/Straw
- Weight: 11.75 oz./can
- Solids: 18%
- Service Temp: 0°F - 165°F
- Storage Temp: Approximately 72°F
- Flammability: Extremely Flammable
- Shelf Life: Approximately 1 year
- High Strength and durability
- Good dry time
- Water resistant
- Excellent workability
- Instant adhesion
- Permanently bonds fabric
- Convenient aerosol can



Packaging

Item	Description	Packaging	Weight
SUPERSPRAYCAN	SuperSpray 11.75 oz. Can	12 cans/case	13 lbs/case

Super Liner Sealer

Qualifies for LEED Credit EQ 4.1

CONTACT

Office: 888.973.7600

1100 Ashwood Drive
Suite 1102
Canonsburg, PA 15317

www.clward.com

Detail

High viscosity water based fiberglass encapsulating coating.

- Water Based
- UL Classified
- Fast Dry Time
- Exceptional Coverage
- Water Resistant
- Cleans with soap and water or mineral spirits
- Excellent Tack
- Base: Synthetic Latex
- Color: Black
- Solvent: Water
- Weight per Gallon: $9.5 \pm 0.2\%$
- Solids: $44 \pm 2\%$
- Viscosity: 2,500 CPS
- Application Temp: 45°F to 90°F
- Storage Temp: 40°F to 90°F
- Open Time: 10-20 minutes, depending on temperature, humidity, and application thickness
- Flammability: None
- Flash Point: No flash to boiling
- Coverage: Approximatley 500 sq.ft./gal., depending on application technique
- Freeze Thaw Stability: 5 cycles
- Shelf Life: (Unopened containers) 1 year
- Flame Spread: 0
- Smoke Developed: 0
- LEED Compliant



Packaging

Item	Description	Packaging	Weight
SLS1	Super Liner Seal 1 gallon	4 gallon/case	43 lbs/case
SLS5	Super Liner Sealer 5 gallon pail	5 gallon pail	46 lbs/case
SLS54	Super Liner Sealer 54 gallon drum	54 gallon drum	555 lbs/drum

Lag Adhesive

Qualifies for LEED Credit EQ 4.1

Detail

Lagging adhesive is used for bonding and sealing jackets of canvas, cloth or other fabrics and insulators to air conditioning ducts or cold water pipes.

- Water Based
- ASTM E-84 Certified
- LEED Compliant
- Low odor
- Non-flammable in wet state
- Fire retardant in dry state
- UV resistant
- Sag resistant
- Good dry time
- Base: Acrylic Latex
- Color: White or Black
- Weight/Gal: 11 lbs ±2%
- Viscosity: app. 75,000 cps
- Service Temp: -25°F to +175°F
- Application Temp: 40°F to +110°F
- Storage Temp: 40°F to +100°F
- Flammability: None
- Flash Point: No flash
- Dry Time: Touch 1 hour/Through 6 hours
(depending on humidity, temperature, and thickness)
- Freeze Thaw: 5 cycles
- Coverage: 50 sq.ft. to 200 sq.ft.
(depending on application rate)
- Bonding Time: 40 minutes
- Shelf Life: 2 years
- LEED Compliant



Packaging

Item	Description	Packaging	Weight
LAGADHESIVE1B	Lagging Adhesive 1 gal Black	4 gallons/case	48 lbs/case
LAGADHESIVE1W	Lagging Adhesive 5 gal pail White	Each	64 lbs/pail
LAGADHESIVE5B	Lagging Adhesive 1 gal Black	4 gallons/case	48 lbs/case
LAGADHESIVE5W	Lagging Adhesive 5 gal pail White	Each	64 lbs/pail

CONTACT

Office: 888.973.7600

1100 Ashwood Drive
Suite 1102
Canonsburg, PA 15317

www.clward.com

WB - Butyl Sealant

CONTACT

Office: 888.973.7600

1100 Ashwood Drive
Suite 1102
Canonsburg, PA 15317

www.clward.com

Detail

"Pumpable" non-drying sealant for the sealing of Pittsburgh seams. Works well this coil lines and stand alone pumping systems.



- Solids: 90%
- Color: Off White
- LEED Compliant
- FDA Approved
- Density: 1.45 gm/cc+ .05
- Weight per Gallon: 12.3 pounds Pounds ±.3
- Flash Point: 128°F-Penske Martens CC (ASTM E-134)
- Life Expectancy: 20 years minimum
- Service Temperature: -65°F to +200°F
- Oil Migration: None (applied to galvanized steel and subjected to a temperature of 158° for one week)
- Flexibility: No cracks when bent around a 1/4" mandrel after being subjected to 3 weeks at 75°F, 24 weeks at -40°F and 3 weeks at 158°F
- Adhesion: Excellent to most non-porous surfaces
- Application Consistency: Hand or power pump equipment
- Specifications: AAMA 802.2; NAAMSS-1a-68
- Flame Spread: 5
- Fuel Contribution: 0
- Smoke Density: 0
- Non-skinning
- Nonoxidizing
- Non-drying

Packaging

Item	Description	Packaging	Weight
WBT	CL WARD Butyl Sealant - 10.3 oz Tubes	10 tubes/case	7 lbs/case
WB5	CL WARD Butyl Sealant - 5 gal pail	Each	65 lbs/pail
WB55	CL WARD Butyl Sealant - 55 gal drum	Each	625 lbs/drum

Rod Locks

CONTACT

Office: 888.973.7600

1100 Ashwood Drive
Suite 1102
Canonsburg, PA 15317

www.clward.com

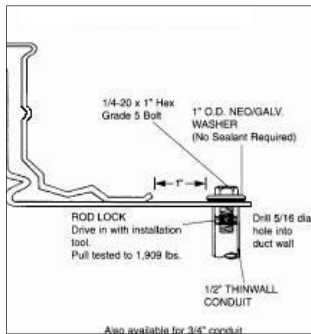
Detail

Conduit anchoring system for tie rod reinforcements

- Available in 1/2" and 3/4"
- Pipe insert is friction fitted with internal threads
- Pull out strength of 900 lbs.
- Can be used for both Positive and Negative pressure
- Simple to install



Profile



Packaging

Item Code	Item Description	Packaging	Weight
LRL50	1/2" Rod Locks	250 sets/box	9 lbs/box
LRL75	3/4" Rod Locks	250 sets/box	9 lbs/box

ConduPlugs™

U.S. Patent 6,901,969

CONTACT

Office: 888.973.7600

1100 Ashwood Drive
Suite 1102
Canonsburg, PA 15317

www.clward.com

Detail

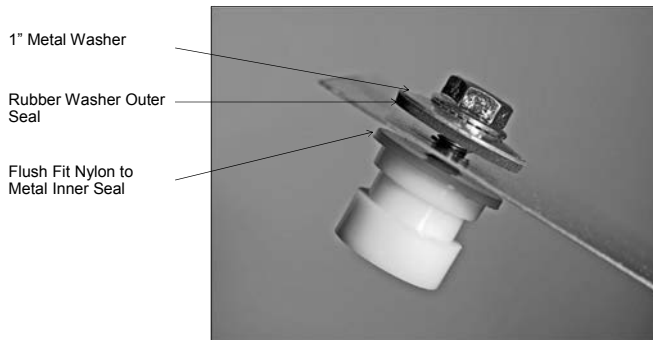
Tie Rod installation system that utilized a recessed, spring loaded bolt which enables a single person installation.

- Cuts installation time in half
- Spring loaded bolt for easy installation
- Pull tested to 900 lbs
- Crimped into the conduit via ConduPlug Crimper Machine
- Available in 1/2" and 3/4"
- Inside and outside washer to ensure airtight seal
- No corrosion or rust
- Built from UNIPA® Cast Nylon 6
- Temperature stable to more than 400°F
- Plug includes washer and nut



Profile

- Available in both 1/2" and 3/4"
- Available in both spring loaded and stud styles
- Rubber 1" washer for airtight seal



Packaging

- Nuts and washers are included

Item Code	Description	Packaging
WLCP50	1/2" ConduPlug	2,000/box
WLCP50S	1/2" ConduPlug Stud	2,000/box
WLCP75	3/4" ConduPlug	2,000/box
WLCP75S	3/4" ConduPlug Stud	2,000/box

DBLR - Round Damper Blades

CONTACT

Office: 888.973.7600

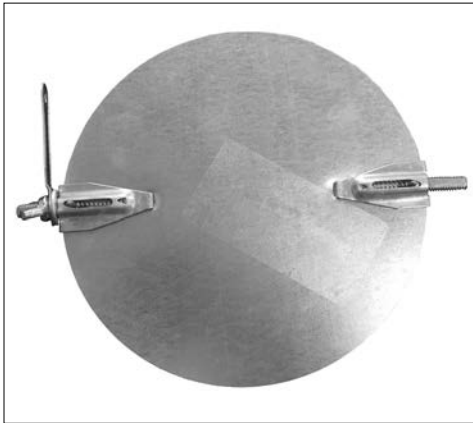
1100 Ashwood Drive
Suite 1102
Canonsburg, PA 15317

www.clward.com

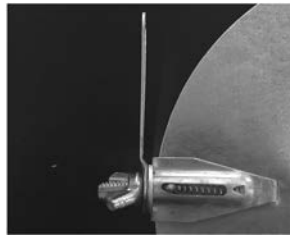
Detail

- Quality round dampers
- Available in 6" through 16"
- Damper Blade - 24 gauge
- Spring loaded end bearings
- Ideal for low pressure applications

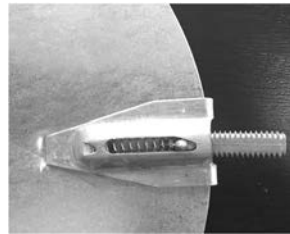
Profile



DBRL - 6" through 16"



Handle/Spring End Bearing



Spring End Bearing

Packaging

Item Code	Item Description	Packaging
DBLR4GASDH	4" Damper Blade w/Spring Bearings	10 pcs/box
DBLR5GASDH	5" Damper Blade w/Spring Bearings	10 pcs/box
DBLR6GASDH	6" Damper Blade w/Spring Bearings	10 pcs/box
DBLR7GASDH	7" Damper Blade w/Spring Bearings	10 pcs/box
DBLR8GASDH	8" Damper Blade w/Spring Bearings	10 pcs/box
DBLR9GASDH	9" Damper Blade w/Spring Bearings	10 pcs/box
DBLR10GASDH	10" Damper Blade w/Spring Bearings	10 pcs/box
DBLR12GASDH	12" Damper Blade w/Spring Bearings	10 pcs/box
DBLR14GASDH	14" Damper Blade w/Spring Bearings	10 pcs/box
DBLR16GASDH	16" Damper Blade w/Spring Bearings	10 pcs/box

Moisture Drain

CONTACT

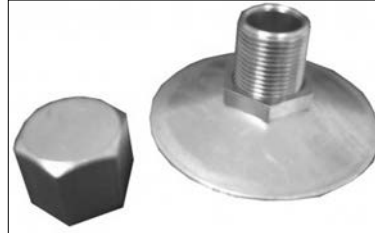
Office: 888.973.7600

1100 Ashwood Drive
Suite 1102
Canonsburg, PA 15317

www.clward.com

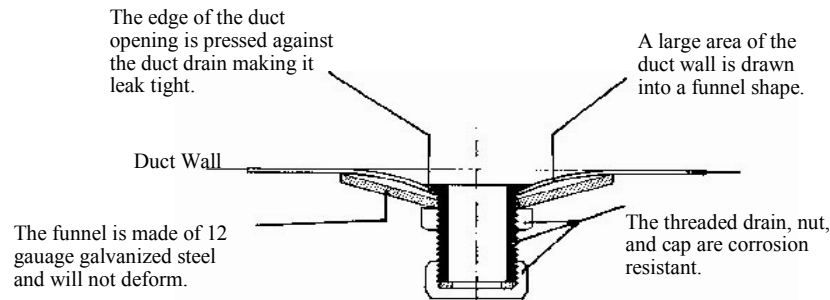
Detail

- Leak proof system
- Funnel is made of 12 gauge galvanized steel
- Threaded drain, nut, and cap are corrosion resistant



Profile

Moisture Drain	3/4"
Diameter of Pipe	3/4"
Diameter of Hole in Ductwall	1 1/16"
Diameter of Funnel	3 1/2"
Total Height Without Cap	1 1/2"



Packaging

Item Code	Item Description	Packaging	Weight
MD75	3/4" Moisture Drain	10 pcs/box	5.5 lbs/box
MDC75	3/4" Cap	10 pcs/box	.85 lbs/box

Bull Nosing

Detail

- Available for 1", 1 1/2", and 2" insulation
- Protects leading edge of duct insulation
- Constructed from 28 gauge
- Adheres to connector by a double sided super stick tape



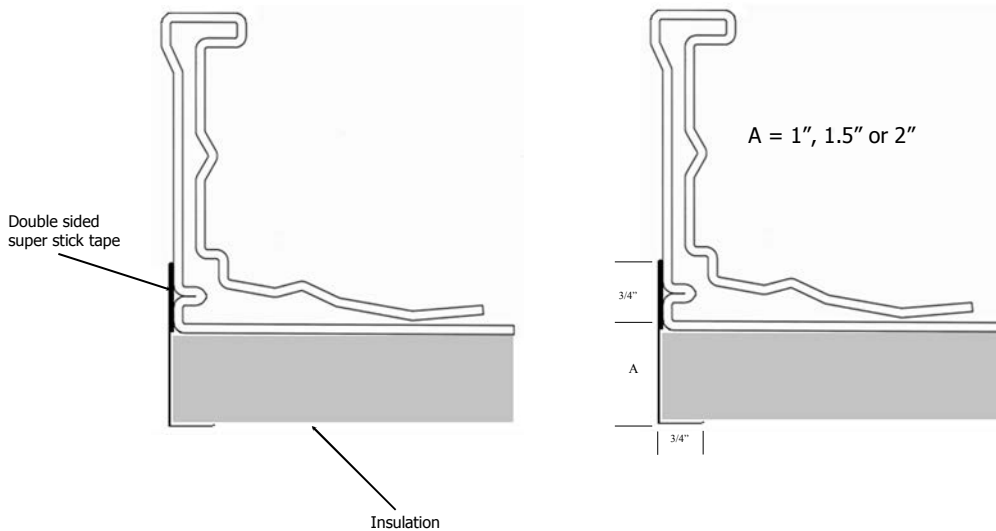
CONTACT

Office: 888.973.7600

1100 Ashwood Drive
Suite 1102
Canonsburg, PA 15317

www.clward.com

Profile



Packaging

Item Code	Item Description	Packaging	Weight
BN1GA	1" Bull Nosing	100 ft/bundle	30 lbs/bundle
BN1.5GA	1.5" Bull Nosing	100 ft/bundle	31 lbs/bundle
BN2GA	2" Bull Nosing	100 ft/bundle	32 lbs/bundle

Weld Pins

CONTACT

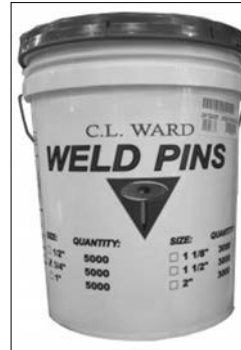
Office: 888.973.7600

1100 Ashwood Drive
Suite 1102
Canonsburg, PA 15317

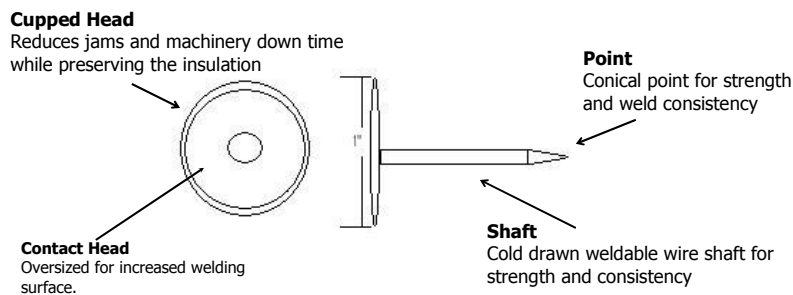
www.clward.com

Detail

- All pins are 10 gauge
- Permanently secure insulation to the inside of sheet metal ductwork
- Designed to work with all standard resistance welding equipment
- Available in a variety of sizes & packaging
- Washer diameter 1"
- Higher electrical resistance reduces weld time
- Consistency reduces the need for adjustments to equipment
- All pins are Electroplate Galvanized
- Can be used with multi-head, automatic feed, single-head, dual-head & portable systems
- Designed to provide complete sheet to pin fusion
- Manufactured in the USA
- Superior Strength
- Cold drawn weldable wire point produces superior electrical contact



Profile



Packaging

Part Number	Description	Qty	Packaging
WP.5GA10B5	1/2" Weld Pin	5000	Box
WP.5GA10P5	1/2" Weld Pin	5000	5 Gal. Pail
WP.75GA10B5	3/4" Weld Pin	5000	Box
WP.75GA10P5	3/4" Weld Pin	5000	5 Gal. Pail
WP1GA10B5	1" Weld Pin	5000	Box
WP1GA10P5	1" Weld Pin	5000	5 Gal. Pail
WP1.125GA10B3	1 1/8" Weld Pin	3000	Box
WP1.125GA10P3	1 1/8" Weld Pin	3000	5 Gal. Pail
WP1.5GA10B3	1 1/2" Weld Pin	3000	Box
WP1.5GA10P3	1 1/2" Weld Pin	3000	5 Gal. Pail
WP2GA10B3	2" Weld Pin	3000	Box
WP2GA10P3	2" Weld Pin	3000	5 Gal. Pail



Tek Screws

CONTACT

Office: 888.973.7600

1100 Ashwood Drive
Suite 1102
Canonsburg, PA 15317

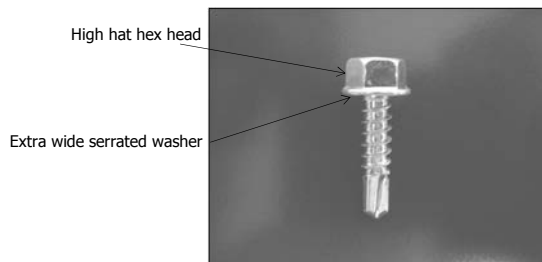
www.clward.com

Detail

- Great for all sheet metal applications
- Chuck included with every box
- #10 - 3/4" (#10-16 screw)
- High hat hex head profile
- Extra wide serrated washer
- Locking serrations
- Chromate finish for corrosion resistance
- Complies with SAE-J78



Profile



Packaging

Item	Packaging	Weight
WSDS31034	5,000 pcs/box	31 lbs/box

DuctGuard™

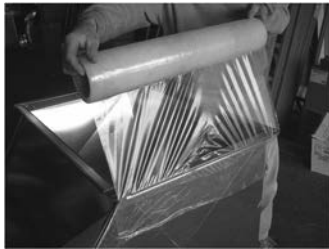
Detail

- Film Thickness: 3.5 mil and 2.5 mil available
- Will not leave residue on duct
- UV Resistant film
- Material: Polyethylene self adhesive film
- Color: Clear or Blue
- Hazardous Components: NONE
- Soluble in Water: NONE
- PH: NONE
- Melting Temperature: 190°F
- Flash Point: 350°F
- Ignition Temperature: 370°
- Explosion Limits: NONE
- Thermal Decomposition: When you heat to 210°F, gaseous decomposition product that is a harmless irritant will be released.
- Environmental Hazard: Owing to the product's consistence, dispersion in environment is not possible. Waste can be recycled.
- Dangerous Material: The product is not subject to "Dangerous Material Regulation".



Profile

- 24" x 200' roll
- 36" x 200' roll
- 48" x 200' roll



Packaging

Item Code	Description	Packaging
DG24	24" DuctGuard - Clear	1/box - 48/pallet
DG24B	24" DuctGuard - Blue	1/box - 48/pallet
DG36	36" DuctGuard - Clear	1/box - 36/pallet
DG36B	36" DuctGuard - Blue	1/box - 36/pallet
DG48	48" DuctGuard - Clear	1/box - 36/pallet
DG48B	48" DuctGuard - Blue	1/box - 36/pallet

CONTACT

Office: 888.973.7600

1100 Ashwood Drive
Suite 1102
Canonsburg, PA 15317

www.clward.com

Speedy Mister

Detail

An accurate and easy tool for applying CL WARD duct liner adhesive.

- Easy application for spray type adhesive
- Extremely fine, uniform coating through the adjustable range of settings
- Easy and fast clean up
- Pneumatically operated
- Delivered assembled for use with CL WARD adhesives
- 90 day manufacturer warranty
- Repair service is available past 90 days



CONTACT

Office: 888.973.7600

1100 Ashwood Drive
Suite 1102
Canonsburg, PA 15317

www.clward.com

Profile

- (1) 15' x 1/4" fluid flow hose
- (1) 15' x 1/4" air line hose
- (1) 3' x 3/8" suction hose
- (1) Air operated 1/4" diaphragm pump
- Non-corrosive contact hardware
- (2) Air control regulators
- (1) Pressure fed air spray gun

Packaging

Item	Description	Packaging	Weight
SPEEDYMISTER	Adhesive Spray Pump	1 unit/box	50 lbs

Speedy Saw

Detail

- Reduces cutting time with a 14" metal cutting blade
- Pneumatically controlled vice holds angle and guarantees a burr free cut, in less than a second
- Heavy gauge blade guard
- Optional piece counter
- Motor: 7.5 horse power - 3 phase - 60 cycle
- Power: Electrical 240/480V (208/575V optional- to be specified at purchase), 25 amp
- 90 to 100 psi air pressure required (filtered and lubricated)
- 14" steel cutting blade, 1" diameter arbor hole
- **MACHINE MUST BE SECURELY ANCHORED**
- **USE HAND AND EYE PROTECTION**



CONTACT

Office: 888.973.7600

1100 Ashwood Drive
Suite 1102
Canonsburg, PA 15317

www.clward.com

Packaging

Item	Description	Packaging	Weight
SPEEDYSAW	CL WARD Speedy Saw	Each	

Speedy Shot 3

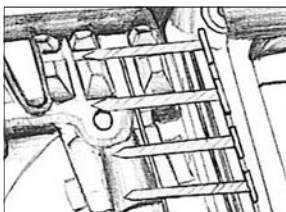
Detail

For fastening C.L. Ward & Family J-Flange and H-Flange to the raw edge of ductwork.

- Weight - 12.5 lbs
- Recommended Operating Pressure - 80 to 120 p.s.i.
- Air Consumption - Approx 2 c.f.m. at 110 p.s.i.
- Noise - 94 dB sound power level
- Tool uses 1/4" N.P.T. male plug
- Power Source - Clean, regulated compressed air
- Clamping mechanism to ensure accurate fastening
- Inserts fastener in a fraction of a second

Fasteners

- Item code - SS3000 (3,000 per box)
- Coil-collated steel pins for steel to steel connections
- Fastener Length - 3/4" (19mm)
- Shank Diameter - .100" (2.5mm)
- Shank Type - Helical, GripShank®



SPEEDY SHOT 3

Packaging

Item	Description	Packaging	Weight
SPEEDYSHOT3	CL WARD Speedy Shot 3	Each	13 lbs
SS3000	Speedy Shot Fasteners	3,000/case	21 lbs/box

CONTACT

Office: 888.973.7600

1100 Ashwood Drive
Suite 1102
Canonsburg, PA 15317

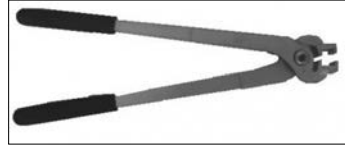
www.clward.com

TDC/TDF Corner Tool

Detail

TDC/TDF Corner Installer

- The TDC/TDF Corner Tool bends the duct edge over to hold the corner in place.
- Very durable



CONTACT

Office: 888.973.7600

1100 Ashwood Drive
Suite 1102
Canonsburg, PA 15317

www.clward.com

Packaging

Item	Description	Packaging	Weight
TCT	TDC/TDF Corner Tool	Each	3 lbs

ALL Cleat Tool

Detail

- Designed to install CL WARD ALL-Cleat
- Easy to use

Directions

1. Insert cleat into the Cleat Tool.
2. Hook onto frame near corner, apply pressure to handle so the cleat tool compresses frames and cleat snaps on.
3. Work towards the center of duct.



Packaging

Item	Description	Packaging	Weight
TDCCLEATTOOL	ALL Cleat Tool	Each	1 lb

Cleat Spacing

Static Pressure	Recommended Centers
1/2" to 2"	24" centerline
2" to 4"	18" centerline
4" to 10"	12" centerline
Over 10"	Continuous

CONTACT

Office: 888.973.7600

1100 Ashwood Drive
Suite 1102
Canonsburg, PA 15317

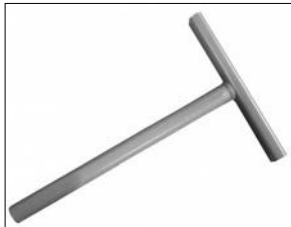
www.clward.com

Cleat Tool

Detail

Cleat tool for installing CL WARD Regular Cleat.

- Also work with CL WARD TDF Cleat
- Easy to use



CONTACT

Office: 888.973.7600

1100 Ashwood Drive
Suite 1102
Canonsburg, PA 15317

www.clward.com

Packaging

Item	Description	Packaging	Weight
CLEATTOOL	Cleat Tool - Regular Cleat	Each	1 lb

Cleat Spacing

Static Pressure	Recommended Centers
1/2" to 2"	24" centerline
2" to 4"	18" centerline
4" to 10"	12" centerline
Over 10"	Continuous

Pipe & Fittings - Fire Dampers

What else do we have?

CL WARD also has a full line of **Commercial Pipe and Fittings**. Please contact us if you would like our Pipe and Fittings Catalog!!



CONTACT

Office: 888.973.7600

1100 Ashwood Drive
Suite 1102
Canonsburg, PA 15317

www.clward.com

CL WARD can also provide you with **Fire Dampers** and **Ceiling Radiation Dampers**.

Please contact us if you would like our Damper Catalog!!



NOTES

CONTACT

Office: 888.973.7600

1100 Ashwood Drive
Suite 1102
Canonsburg, PA 15317

www.clward.com



CLWARD

1100 ASHWOOD DRIVE, SUITE 1102
CANONSBURG, PA 15317
1-888-973-7600
WWW.CLWARD.COM