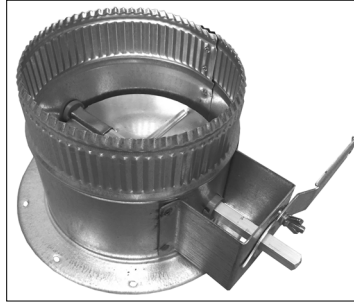


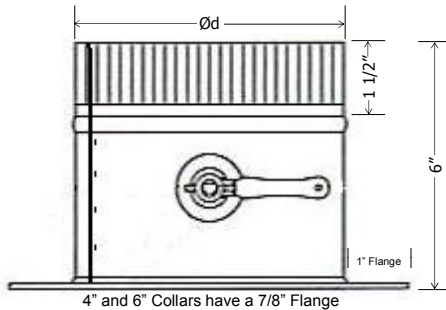
Press-On Collar 38

Detail

- Galvanized Steel (ASTM A653 and A924)
- G-60 Galvanized Coating (ASTM A653 and ASTM 90) 24 or 26 gauge
- G90 available
- Available in Specialty Metals:
 - Aluminum (ASTM B209 Alloy 3003 Temper H14)
 - 304 Stainless Steel (ASTM A480 2B Finish)
- Pressure Rating: Designed per SMACNA Third Edition 2005 Section 4.8 Figure 4-6 Brand Connections
- Quality 3/8" solid rod damper
- Heavy duty 20 gauge damper blade
- Low leakage damper hardware
- "Single Piece" construction
- Available with the Locking Rossi™ handle hardware
- Joints sealed with a "Zero" VOC integral gasket for energy efficiency
- High density double sided neoprene gasket, 1/8 thick"
- Pre-punched holes in base for easy fastening
- Available with 1.5" and 2.0" stand-offs



Profile



Packaging

Product Availability			
Item Code	Item Description	Quantity	
		Layer	Skid
6POS2C6GA26DCS	Galv. 6" Press-On Collar W/2" SO - 3/8" Hardware 26 Ga.	25	700
6POS2C8GA26DCS	Galv. 8" Press-On Collar W/2" SO - 3/8" Hardware 26 Ga.	20	320
6POS2C10GA26DCS	Galv. 10" Press-On Collar W/2" SO - 3/8" Hardware 26 Ga.	10	140
6POS2C12GA26DCS	Galv. 12" Press-On Collar W/2" SO - 3/8" Hardware 26 Ga.	10	90
6POS2C14GA26DCS	Galv. 14" Press-On Collar W/2" SO - 3/8" Hardware 26 Ga.	5	80
6POS2C16GA24DCS	Galv. 14" Press-On Collar W/2" SO - 3/8" Hardware 26 Ga.	5	50
6POS2C18GA24DCS	Galv. 14" Press-On Collar W/2" SO - 3/8" Hardware 26 Ga.	5	50

Contact CL WARD for other gauge availability



CONTACT

Office: 888.973.7600

1100 Ashwood Drive
Suite 1102
Canonsburg, PA 15317

www.clward.com