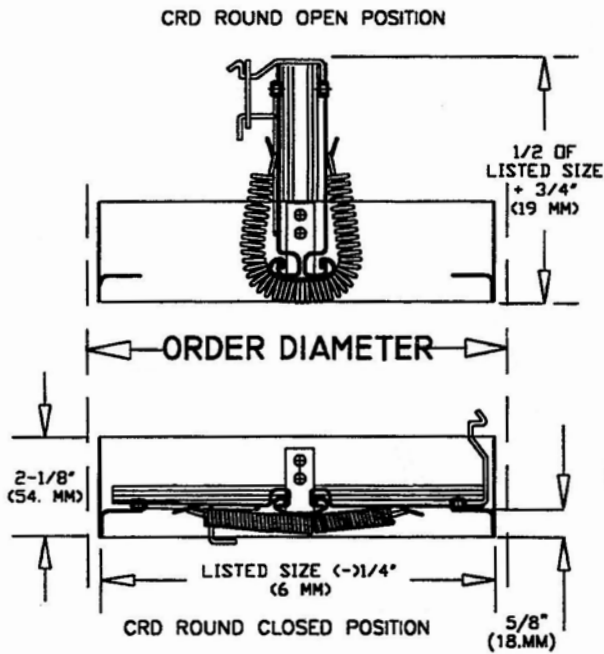
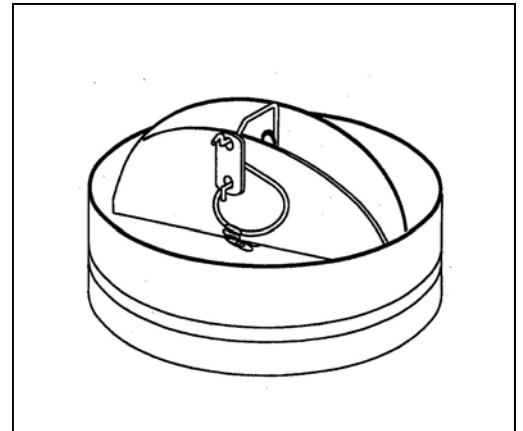




Ceiling Radiation Damper - CRD55-EA

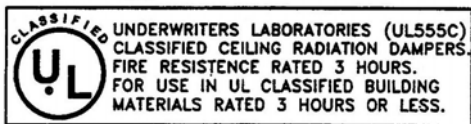
- Ceramic Insulation is not UL required on dampers with areas less than 80 square inches and is optional. Dampers above 80 square inches will be provided with blade insulation.
- UL Listed 165° Link (Standard)
- Blades and Frame are 22 gauge galvanized steel
- Available in Stainless Steel
- Easy Access Linkage— Side mount linkage to allow easier setting of link

Round
U.L. Classified
3 Hour Rating



Minimum Size	6"Ø
Maximum Size	24"Ø

Job Name	
Location	
Architect	
Engineer	
Contractor	



1502 Industrial Drive, Unit #2
 Monongahela, PA 15063