

Series 227 ATC® Circuit Breakers (low profile)

ATC® Circuit Breakers

Manual Reset

Specifications

Single Pole Thermal Type Breakers

Rating: 5-30A, 28Vdc

Interrupt Rating: 2000A @ 28Vdc

Operating Temperature Rating: -40°F (-40°C) to 185°F (85°C)

Storage Temperature Rating: -40°F (-40°C) to 260°F (125°C)

Materials: UL-Rated 94V0 thermoplastic body. Tin-plated copper alloy terminals

Marking: Cover is color-coded to amperage ratings

Termination: 5.2mm wide blades compatible with ATC® type fuse blocks

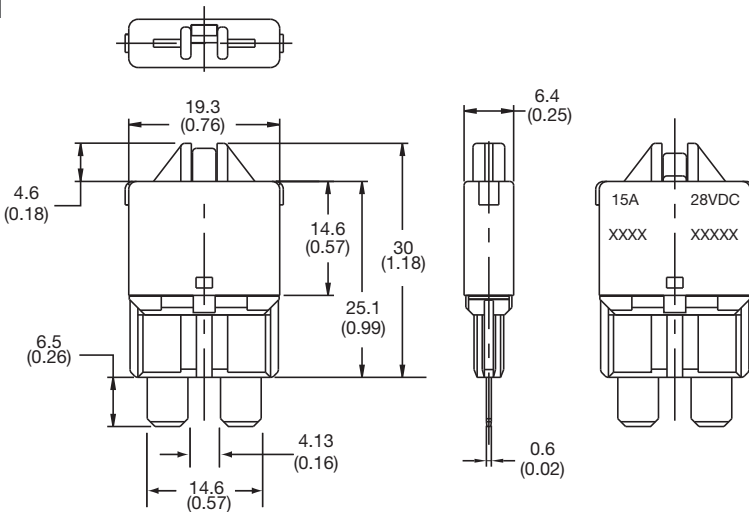
Compliances: SAEJ553; SAEJ1171 (ignition protected)

Consult factory for time characteristic curves

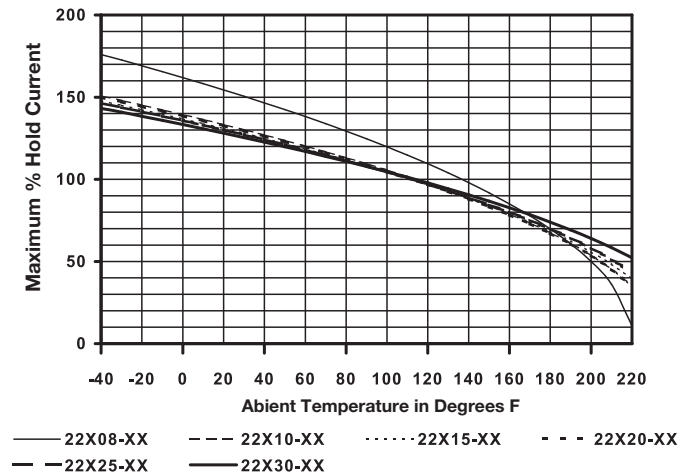


Dimensions - mm(in)

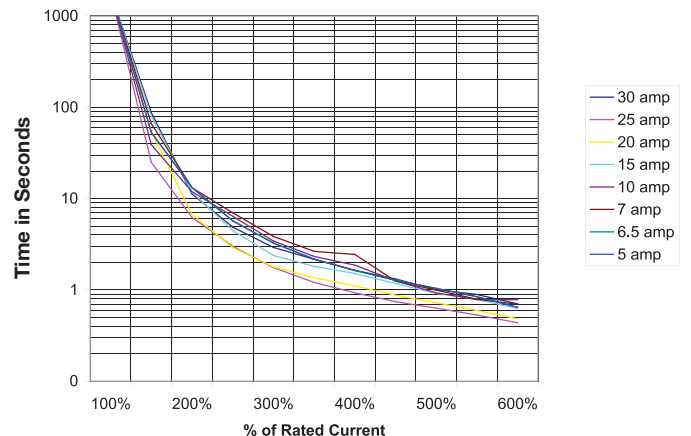
(Dims. Shown are for reference only. Contact factory for latest prints)



Temperature Derating Curves



Trip Time vs. Percent of Rated Current



Part Numbering System

Series

227

Rating

□□

Marking

— 00

05 – 5 amps [LT. Brown (Tan)]
 06 – 6 amps [Moss Green]
 75 – 7.5 amps [Brown]
 10 – 10 amps [Red]
 15 – 15 amps [Blue]
 20 – 20 amps [Yellow]
 25 – 25 amps [White]
 30 – 30 amps [Green]

00-Std. Marking
 (Consult factory for special marking.)