



Builder's Best, Inc.
 201 Broiles Drive
 Jacksonville, TX 75766
 903-586-8283
 sales@venting.biz
 BuildersBest.com

AWM620 Aluminum Heavy Gauge Hood with Flapper

2020 redesign



PN 11072



PN 12443

DESCRIPTION

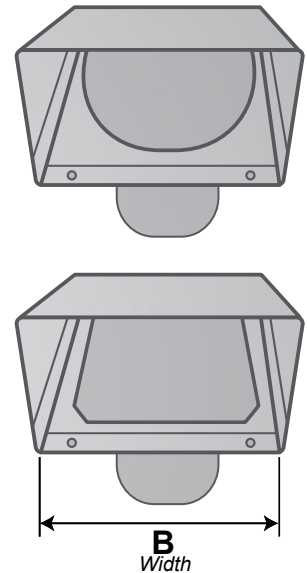
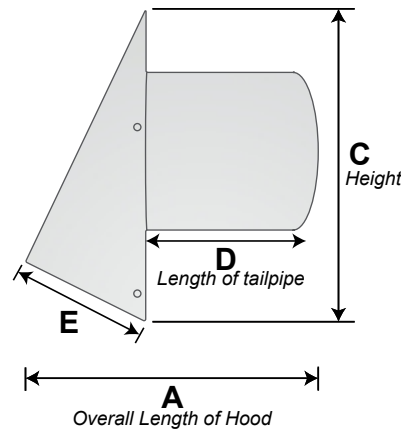
The AWM620 is a heavy duty aluminum wall vent hood.

PRODUCT FEATURES

- Riveted construction
- 4 mounting holes for secure connections
- Available without tailpipe, with 6" tailpipe or 11" tailpipe
- Tailpipe features 360° mechanical seam

PRODUCT SPECIFICATIONS

- 24 gauge mill finish aluminum
- Flapper (4" rounded, 5"- 12" squared)



PART NUMBERS & DIMENSIONS

Dia.	Tail	Flapper	Screen	Each #	Qty	Case #	Pkg	A (in.)	B (in.)	C (in.)	D (in.)	E (in.)	Open Area
4"	n/a	flapper	n/a	11159	20	111159	Bulk	3.375	5.25	7	n/a	4	18.75
4"	6"	flapper	n/a	11145	12	111145	Bulk	8.875	5.25	7	5.5	4	18.75
4"	11"	flapper	n/a	11147	12	011148	Bulk	14.5	5.25	7	11.25	4	18.75
5"	n/a	flapper	n/a	12439	12	112439	Bulk	4.5	8.25	10	n/a	5.375	40
5"	6"	flapper	n/a	12440	12	112440	Bulk	10.25	8.25	10	5.5	5.375	40
5"	11"	flapper	n/a	12441	6	112441	Bulk	15.75	8.25	10	11.25	5.375	40
6"	n/a	flapper	n/a	12442	12	112442	Bulk	4.5	8.25	10	n/a	5.375	40
6"	6"	flapper	n/a	12443	12	112443	Bulk	10.25	8.25	10	5.5	5.375	40
6"	11"	flapper	n/a	12444	6	112444	Bulk	15.75	8.25	10	11.25	5.375	40
7"	n/a	flapper	n/a	12445	12	112445	Bulk	4.5	8.25	10	n/a	5.375	40
7"	6"	flapper	n/a	12446	12	112446	Bulk	10.25	8.25	10	5.5	5.375	40
7"	11"	flapper	n/a	12447	6	112447	Bulk	15.75	8.25	10	11.25	5.375	40
8"	n/a	flapper	n/a	11167	12	111167	Bulk	4.5	10.25	11.25	n/a	5.5	52
8"	6"	flapper	n/a	11071	10	111071	Bulk	10.25	10.25	11.25	5.5	5.5	52
8"	11"	flapper	n/a	11102	6	111102	Bulk	16	10.25	11.25	11.25	5.5	52
10"	n/a	flapper	n/a	11169	2	111169	Bulk	6.25	12.25	14.25	n/a	7	80
10"	6"	flapper	n/a	11072	2	111072	Bulk	11.75	12.25	14.25	5.5	7	80
10"	11"	flapper	n/a	11103	1	011103	Ind Box	17.5	12.25	14.25	11.25	7	80
12"	n/a	flapper	n/a	11171	2	111171	Bulk	6.25	14.25	14.25	n/a	7	99
12"	6"	flapper	n/a	11073	2	111073	Bulk	11.75	14.25	14.25	5.5	7	99
12"	11"	flapper	n/a	11104	1	011104	Ind Box	17.5	14.25	14.25	11.25	7	99

**5-7"
 discontinued
 model
 dimensions
 are on page 2
 (reverse side)**

**Discontinued
 models on page 2
 (reverse side)
 will be available
 for a short time
 to help finish
 projects**

SHEET METAL DIMENSIONS MAY VARY ± .15 INCHES

WARRANTY

Complete Warranty Statement at <https://www.buildersbest.com>

LABELS





Builder's Best, Inc.
 201 Broiles Drive
 Jacksonville, TX 75766
 903-586-8283
 sales@venting.biz
 BuildersBest.com

AWM620 Aluminum Heavy Gauge Hood with Flapper

DISCONTINUED*

DESCRIPTION

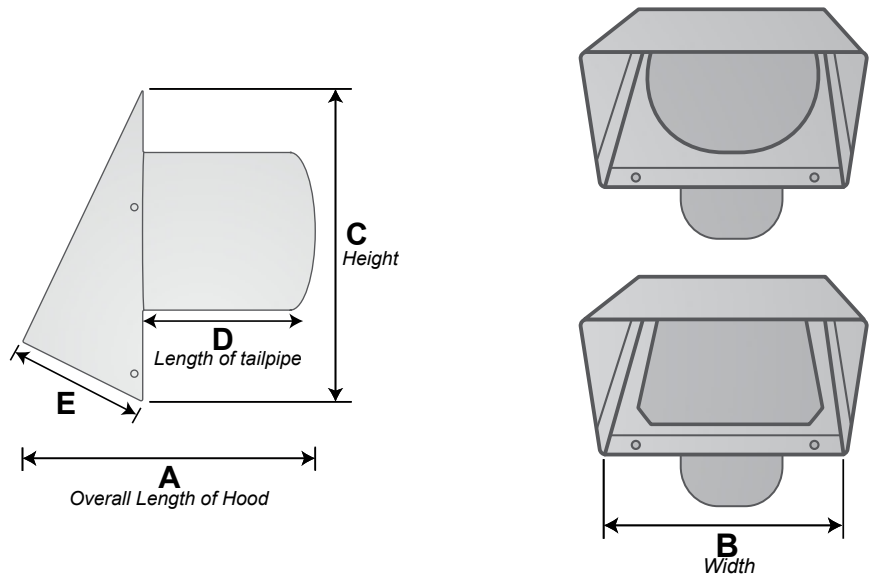
The AWM620 is a heavy duty aluminum wall vent hood.

PRODUCT FEATURES

- Riveted construction
- Tailpipe has 360° mechanical seam
- 4 mounting holes for secure connections
- Available without tailpipe, with 6" tailpipe or 11" tailpipe

PRODUCT SPECIFICATIONS

- 24 gauge mill finish aluminum
- Flapper (4"-6" rounded, 7"- 12" squared)



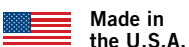
DISCONTINUED* PART NUMBERS & DIMENSIONS

Dia.	Tail	Flapper	Screen	Case #	Qty	Pkg	B (in.)	C (in.)	D (in.)	E (in.)
5"	n/a	flapper	n/a	111161	12	Bulk	8	9	n/a	4
5"	6"	flapper	n/a	111066	12	Bulk	8	9	6	4
5"	11"	flapper	n/a	111097	6	Bulk	8	9	11	4
6"	n/a	flapper	n/a	111163	12	Bulk	8	9	n/a	4
6"	6"	flapper	n/a	111068	12	Bulk	8	9	6	4
6"	11"	flapper	n/a	111099	6	Bulk	8	9	11	4
7"	n/a	flapper	n/a	111165	12	Bulk	10	11.25	n/a	5.375
7"	6"	flapper	n/a	111070	10	Bulk	10	11.25	6	5.375
7"	11"	flapper	n/a	111101	6	Bulk	10	11.25	11	5.375

**2020
 REDESIGN ON
 PAGE 1
 (reverse side)**

***Discontinued
 models will be
 available for a
 short time to help
 finish projects**

LABELS



WARRANTY

Complete Warranty Statement at <https://www.buildersbest.com>