

Project: _____

Dealer: _____

Architect: _____

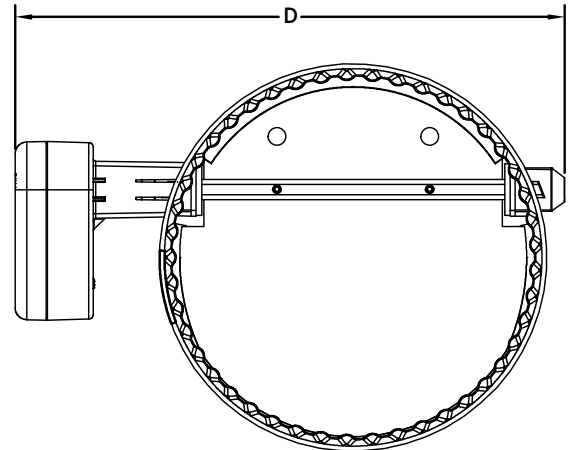
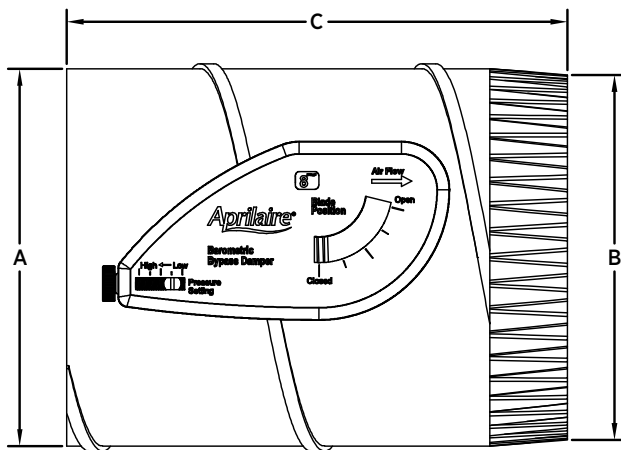
Engineer: _____

Contractor: _____

Location: _____

Suppliers: _____

Date: _____



Size	A	B	C	D	Shipping Weight
8"	8.03" (204 mm)	7.78" (198 mm)	10.75" (273 mm)	11.68" (297 mm)	5 lbs
10"	10.03" (255 mm)	9.78" (248 mm)	10.75" (273 mm)	13.55" (344 mm)	7 lbs
12"	12.03" (306 mm)	11.78" (299 mm)	12.75" (324 mm)	15.42" (392 mm)	8 lbs
14"	14.03" (356 mm)	13.78" (350 mm)	14.75" (375 mm)	17.29" (439 mm)	10 lbs
16"	16.03" (407 mm)	15.78" (401 mm)	16.75" (425 mm)	19.16" (487 mm)	13 lbs

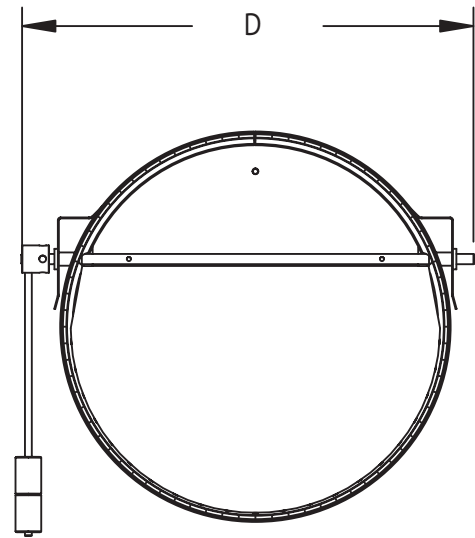
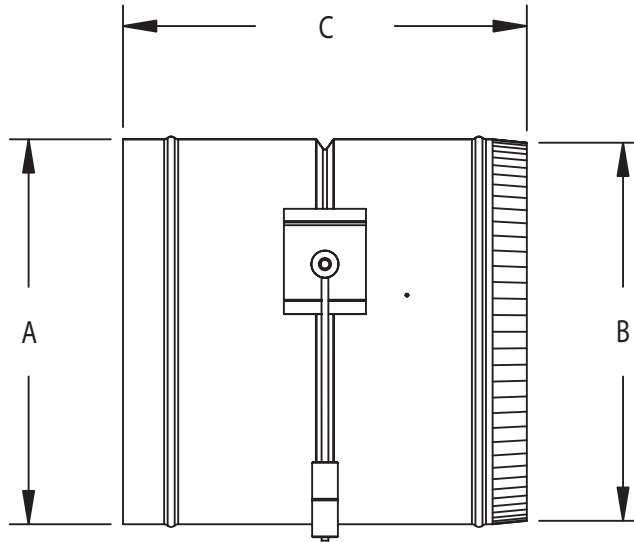
PRODUCT OVERVIEW

Applications: Compatible with Aprilaire Zoned Comfort Control system. Dampers are designed to work in low pressure systems (less than 1.0" W.C.).

Notes: Damper blade position will be controlled by an adjustable spring-tensioned regulator with damper blade position indicator.

Project: _____
 Architect: _____
 Contractor: _____
 Supplier: _____

Dealer: _____
 Engineer: _____
 Location: _____
 Date: _____



Size	A	B	C	D	Shipping Weight
8"	8.06" (205 mm)	7.81" (198 mm)	10.76" (273 mm)	11.50" (292 mm)	5 lbs
10"	10.06" (255 mm)	9.81" (249 mm)	10.76" (273 mm)	13.50" (343 mm)	7 lbs
12"	12.06" (306 mm)	11.81" (300 mm)	12.76" (324 mm)	15.50" (394 mm)	8 lbs
14"	14.06" (357 mm)	13.81" (351 mm)	14.76" (375 mm)	17.50" (445 mm)	10 lbs
16"	16.06" (408 mm)	15.81" (401 mm)	16.76" (426 mm)	19.50" (495 mm)	13 lbs

PRODUCT OVERVIEW:

Applications: Compatible with Aprilaire® Zoned Comfort Control system. Dampers are designed to work in low pressure systems (less than 1.0" w.c.)

Notes: Damper blade position will be controlled by an adjustable counter balance weight with damper blade position indicator.

The submittal is intended to show general, overall product dimensions and provide guidance for installation clearance. Drawings are not to scale. Ensure submittals are current. Research Products reserves the right to make product changes without notification or obligation.