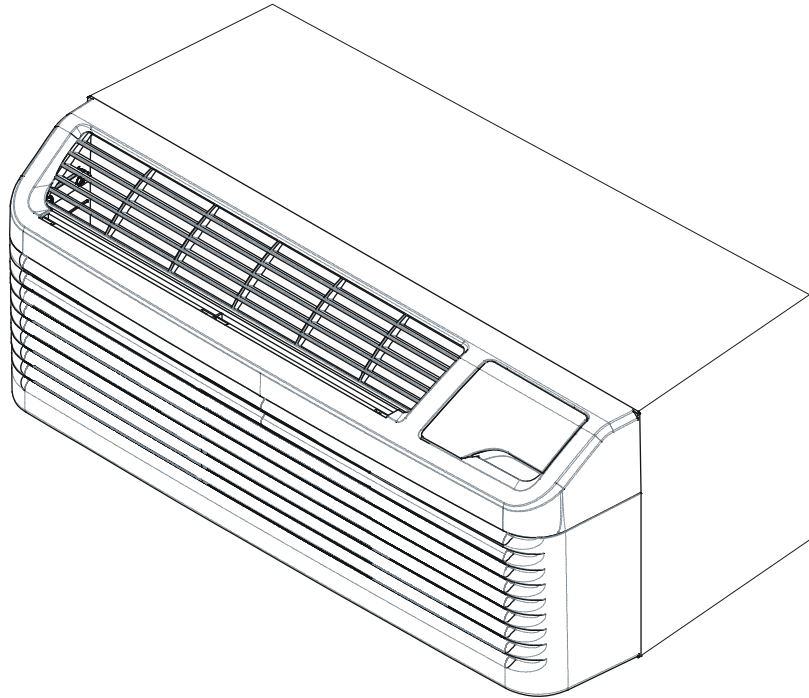


PTH154G Series PTAC Heat Pump

PTH154G25AXXXAA
PTH154G25CXXXAA
PTH154G25DRXXAA
PTH154G25DXXXAA
PTH154G25RXXXAA
PTH154G35AXXXAA
PTH154G35CXXXAA
PTH154G35QRXXAA
PTH154G35QXXXAA
PTH154G35RXXXAA
PTH154G35VXXXAA
PTH154G50AXXXAA
PTH154G50CXXXAA
PTH154G50RXXXAA



Amana is a registered trademark of Maytag Corporation or its related companies and is used under license to Goodman Company, L.P., Houston, TX. All rights reserved.

This manual is to be used by qualified technicians only.

This manual replaces RP-738A.

© 2012-2013 Goodman Company, L.P. ♦ 5151 San Felipe St., Suite 500 ♦ Houston, TX 77056

Important Information

Index

| | |
|------------------------------|--------|
| Functional Parts List | 3 |
| Illustration and Parts | 4 - 13 |

Views shown are for parts illustrations only, not servicing procedures.

This system uses R410A refrigerant. If sealed system work is required, use approved equipment and follow service procedures. Refer to Service Manual or Installation Instructions for service procedures

Text Codes:

AR - As Required

NA - Not Available

NS - Not Shown

00000000 - See Note

QTY - Quantity Example (QTY 3) (If Quantity not shown, Quantity = 1)

M - Model Example (M1) (If M Code not shown, then part is used on all Models)

Expanded Model Nomenclature:

| |
|---|
| Example M1 - Model#1 M2 - Model#2 M3 - Model#3 |
|---|

Goodman Company, L.P. is not responsible for personal injury or property damage resulting from improper service. Review all service information before beginning repairs.

Warranty service must be performed by an authorized technician, using authorized factory parts. If service is required after the warranty expires, Goodman Company, L.P. also recommends contacting an authorized technician and using authorized factory parts.

Goodman Company, L.P. reserves the right to discontinue, or change at any time, specifications or designs without notice or without incurring obligations.

For assistance within the U.S.A. contact:

Consumer Affairs Department
Goodman Company, L.P.
7401 Security Way
Houston, Texas 77040
877-254-4729-Telephone
713-863-2382-Facsimile

For assistance outside the U.S.A. contact:

International Division
Goodman Company, L.P.
7401 Security Way
Houston, Texas 77040
713-861-2500-Telephone
713-863-2382-Facsimile

Functional Parts

Part

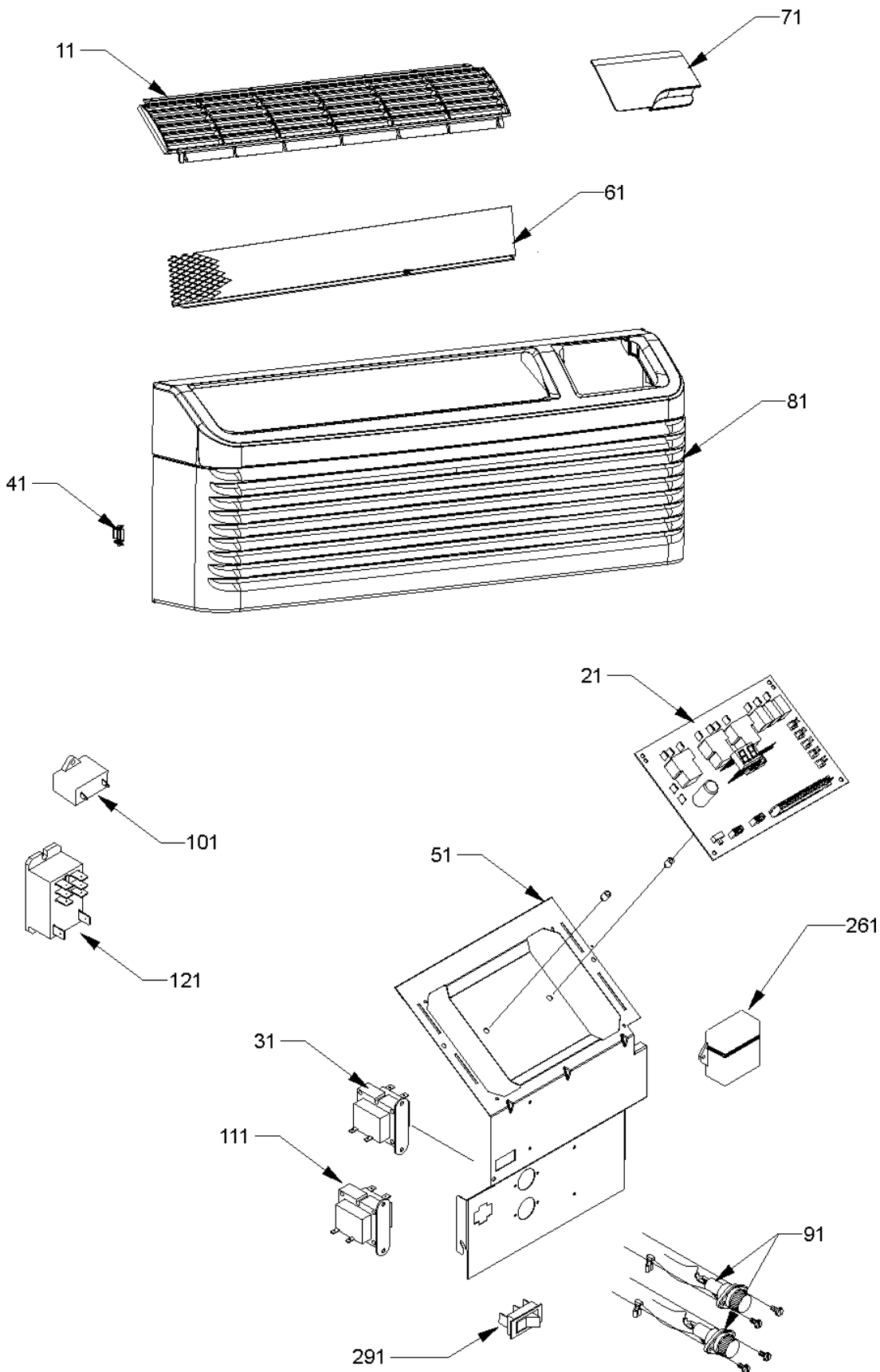
No: Description:

| | |
|----------------|--|
| 20406303 | BASE PAN VALVE |
| CAP020250450RS | CAP, 2/25 MFD/450V/DUAL RD |
| CAP015000500RP | CAPACITOR |
| 50A367Q | COMPRESSOR, RECHI |
| RSKP0010 | CONTROL BOARD M61 |
| RSKP0005 | CONTROL PANEL COVER AND MEMBRANE |
| 11114701 | CORD 277 VAC, 20A (M1, M2, M3, M4, M5, M6, M7, M8, M9, M10, M11) |
| 11114801 | CORD 277 VAC, 30A (M12, M13, M14) |
| 0131P00026 | FAN MOTOR, INDOOR 265V |
| 0131P00026 | FAN MOTOR, OUTDOOR |
| 0161P00030 | FAN, CONDENSER |
| A3410402 | FUSE 15A (M1, M2, M3, M4, M5) |
| A3410403 | FUSE 20A (M6, M7, M8, M9, M10, M11) |
| A3410404 | FUSE 25A (M12, M13, M14) |
| 0275P00023 | HEATER ASSY (M1, M2, M3, M4, M5) |
| 0275P00024 | HEATER ASSY (M6, M7, M8, M9, M10, M11) |
| 0275P00025 | HEATER ASSY (M12, M13, M14) |
| 0130M00132 | HIGH PRESSURE SWITCH |
| 60343525 | OVERLOAD PROTECTOR |
| 0130M00097 | RELAY |
| C8873932 | RELAY (POWER VENT) (M3, M4, M11) |
| 0151P00001 | REVERSING VALVE ASSY-265V |
| 0130P00022 | REVERSING VALVE COIL |
| 0130P00074 | THERMISTOR |
| 0130P00093 | THERMISTOR |
| 0130P00077 | THERMISTOR (M3, M5, M8, M10, M14) |
| 0130P00075 | THERMISTOR-DISCHARGE |
| 0130P00086 | THERMISTOR-INDOOR COIL |
| 0130P00098 | THERMISTOR-OUTDOOR AMBIENT (M3, M5, M8, M10, M14) |
| 11172101 | TRANSFORMER (M3, M4, M11) |
| 20512501 | TRANSFORMER (HYDRONIC) |
| 0150P00004 | WHEEL, BLOWER |

Expanded Model Nomenclature

| |
|-----------------------|
| M1 - PTH154G25AXXXAA |
| M2 - PTH154G25CXXXAA |
| M3 - PTH154G25DRXXAA |
| M4 - PTH154G25DXXXAA |
| M5 - PTH154G25RXXXAA |
| M6 - PTH154G35AXXXAA |
| M7 - PTH154G35CXXXAA |
| M8 - PTH154G35QRXXAA |
| M9 - PTH154G35QXXXAA |
| M10 - PTH154G35RXXXAA |
| M11 - PTH154G35VXXXAA |
| M12 - PTH154G50AXXXAA |
| M13 - PTH154G50CXXXAA |
| M14 - PTH154G50RXXXAA |

Front Assy



Front Assy

| Ref. Part No: No: | Description: | Ref. Part No: No: | Description: |
|-------------------|--------------|-------------------|--------------|
|-------------------|--------------|-------------------|--------------|

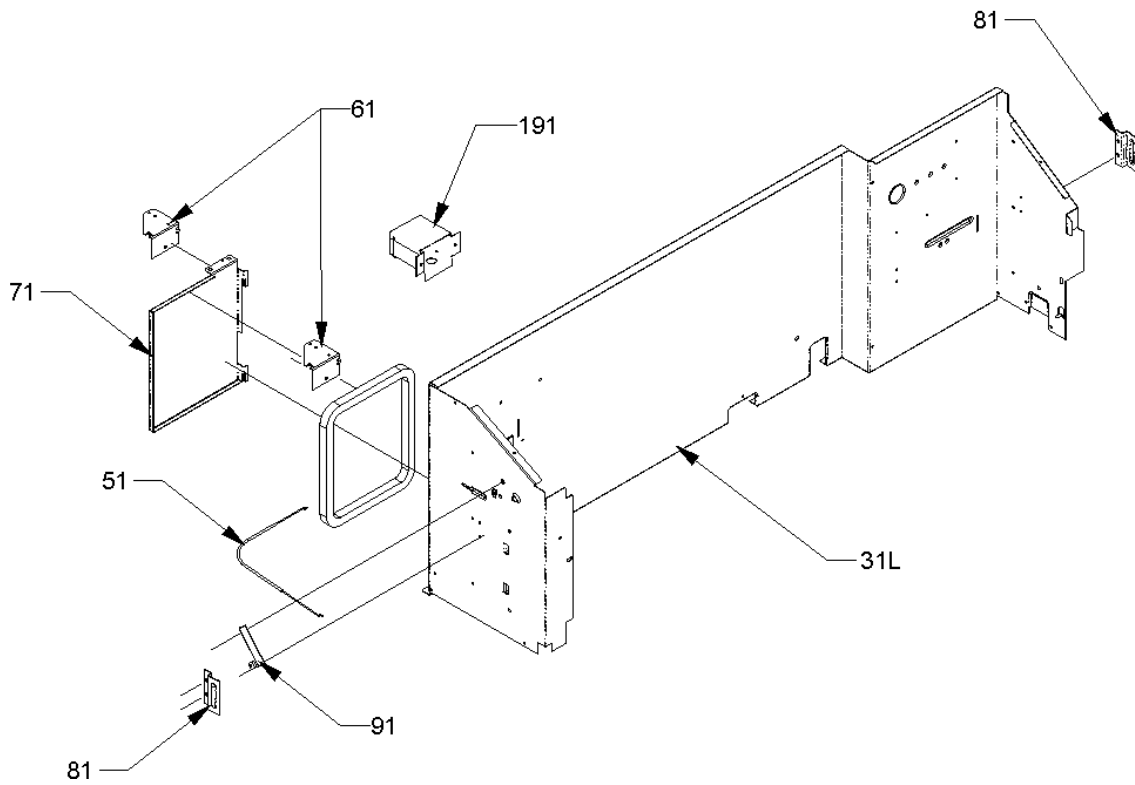
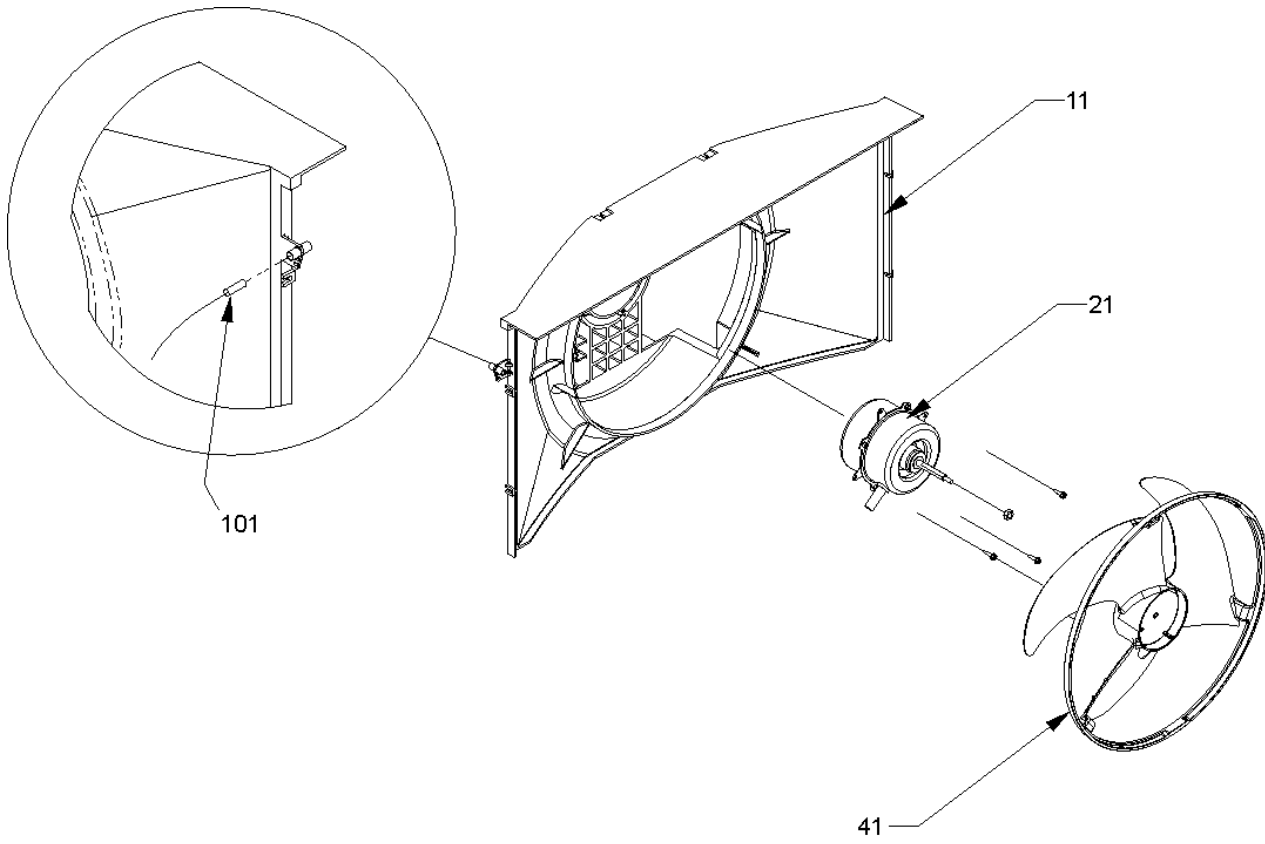
Image 1:

| | | |
|-----|----------------|--|
| 11 | 0161P00033 | FRONT-DICHARGE LOUVERS |
| 21 | RSKP0010 | CONTROL BOARD M61 |
| 31 | 20512501 | TRANSFORMER (HYDRONIC) |
| 41 | 0163P00025 | CLIP (QTY 2) |
| 51 | 0121P00001P | CONTROL PANEL COVER |
| 61 | 0121P00073 | SCREEN, DISCHARGE |
| 71 | 0261P00003 | DOOR ASSY -AMANA- |
| 81 | 0261P00011 | FRONT ASSY |
| 91 | C6476001 | BAYONET FUSE HOLDER (M1, M2, M3, M4, M5) |
| 91 | C6476002 | BAYONET FUSE HOLDER (M6, M7, M8, M9, M10, M11) |
| 91 | C6476003 | BAYONET FUSE HOLDER (M12, M13, M14) |
| 101 | CAP020250450RS | CAP, 2/25 MFD/450V/DUAL RD |
| 111 | 11172101 | TRANSFORMER (M3, M4, M11) |
| 121 | 0130M00097 | RELAY |
| 121 | C8873932 | RELAY (POWER VENT) (M3, M4, M11) |
| 261 | 1261401 | DIGITENNA (M3, M5, M8, M10, M14) |
| 291 | B1337701 | PADDLE SWITCH (M3, M4, M11) |
| NS | 0161P00035 | FILTER, RACK (QTY 2) |
| NS | A3410402 | FUSE 15A (M1, M2, M3, M4, M5) |
| NS | A3410403 | FUSE 20A (M6, M7, M8, M9, M10, M11) |
| NS | A3410404 | FUSE 25A (M12, M13, M14) |
| NS | B1160701 | TERMINAL BOARD (M3, M4, M11) |

Expanded Model Nomenclature

| |
|-----------------------|
| M1 - PTH154G25AXXXAA |
| M2 - PTH154G25CXXXAA |
| M3 - PTH154G25DRXXAA |
| M4 - PTH154G25DXXXAA |
| M5 - PTH154G25RXXXAA |
| M6 - PTH154G35AXXXAA |
| M7 - PTH154G35CXXXAA |
| M8 - PTH154G35QRXXAA |
| M9 - PTH154G35QXXXAA |
| M10 - PTH154G35RXXXAA |
| M11 - PTH154G35VXXXAA |
| M12 - PTH154G50AXXXAA |
| M13 - PTH154G50CXXXAA |
| M14 - PTH154G50RXXXAA |

Chassis Control Panel



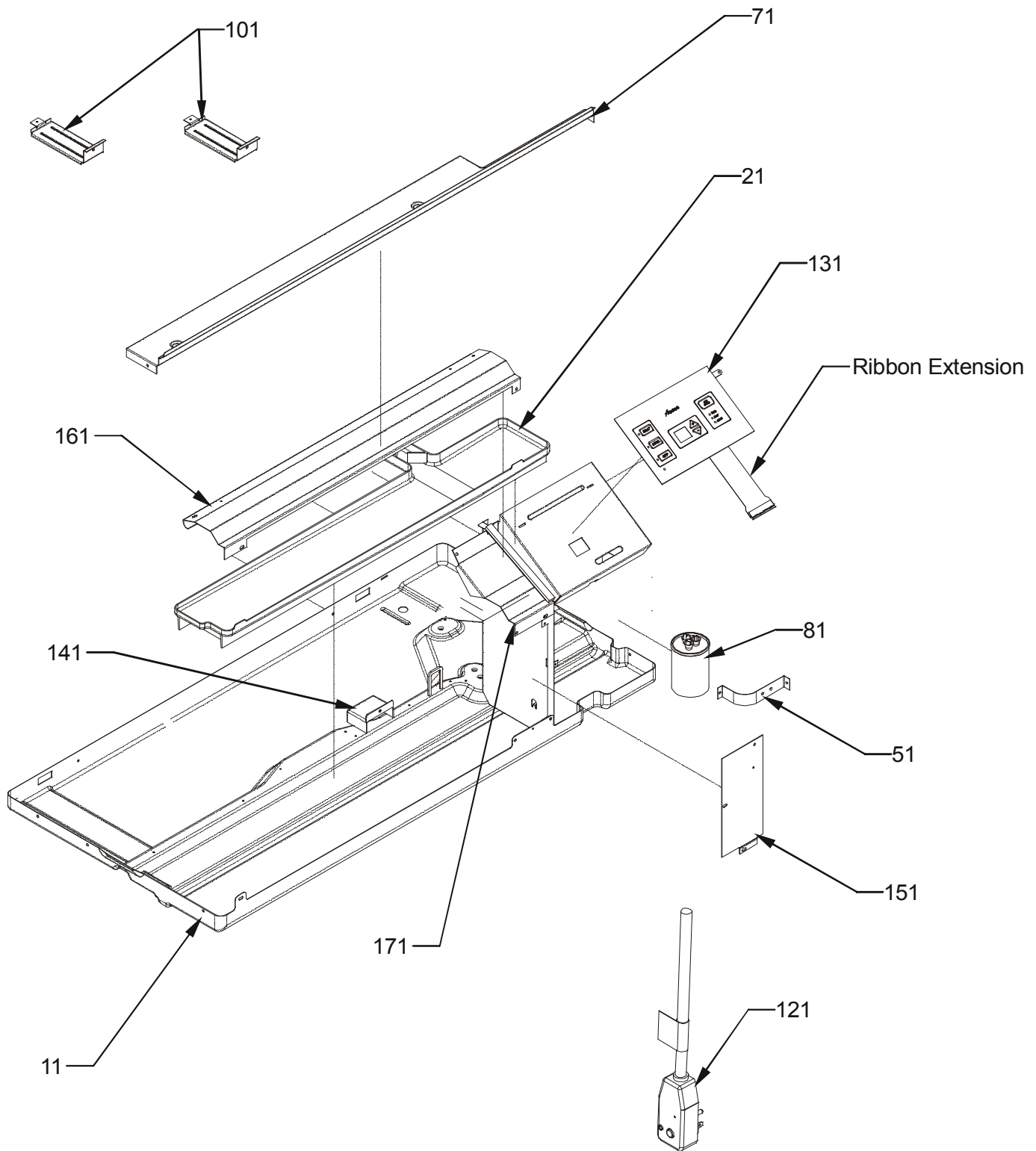
Chassis Control Panel

| Ref. Part No: | No: | Description: | Ref. Part No: | No: | Description: |
|-----------------|--------------|---|---------------|-----|--------------|
| <i>Image 1:</i> | | | | | |
| 11 | 0161P00026 | SHROUD, CONDENSER | | | |
| 21 | 0131P00026 | FAN MOTOR, OUTDOOR | | | |
| 31 | 0121P00093 | PANEL-PARTITION (M8, M9) | | | |
| 31 | 0121P00108DG | PANEL-PARTITION PNT | | | |
| 41 | 0161P00030 | FAN, CONDENSER | | | |
| 51 | 0163P00019 | CABLE | | | |
| 61 | 0121P00079 | BRACKET, VENT DOOR (M3, M4, M11) | | | |
| 61 | 0121P00072DG | BRACKET, VENT DOOR-C (M1, M2, M5, M6, M7, M10, M12, M13, M14) | | | |
| 61 | 0121P00080 | BRKT, POWER VENT (M3, M4, M11) | | | |
| 71 | 11046105PDG | VENT DOOR (M1, M2, M3, M4, M5, M6, M7, M10, M11, M12, M13, M14) | | | |
| 81 | 11191703 | PARTITION PANEL BRACKET (QTY 2) | | | |
| 91 | 11046302 | LEVER ARM (M1, M2, M5, M6, M7, M10, M12, M13, M14) | | | |
| 101 | 0130P00098 | THERMISTOR-OUTDOOR AMBIENT (M3, M5, M8, M10, M14) | | | |
| 191 | 0270P00997 | POWER DOOR ASSY (M3, M4) | | | |
| NS | 11166401 | EXTENSION SPRING (M3, M4, M11) | | | |
| NS | 11166201 | POWER VENT COVER BRACKET (M3, M4, M11) | | | |
| NS | 11172801 | POWER VENT MOTOR (M3, M4, M11) | | | |
| NS | 11166101 | POWER VENT MOTOR BRACKET (M3, M4, M11) | | | |

Expanded Model Nomenclature

| |
|-----------------------|
| M1 - PTH154G25AXXXAA |
| M2 - PTH154G25CXXXAA |
| M3 - PTH154G25DRXXAA |
| M4 - PTH154G25DXXXAA |
| M5 - PTH154G25RXXXAA |
| M6 - PTH154G35AXXXAA |
| M7 - PTH154G35CXXXAA |
| M8 - PTH154G35QRXXAA |
| M9 - PTH154G35QXXXAA |
| M10 - PTH154G35RXXXAA |
| M11 - PTH154G35VXXXAA |
| M12 - PTH154G50AXXXAA |
| M13 - PTH154G50CXXXAA |
| M14 - PTH154G50RXXXAA |

Partition Assy



Partition Assy

**Ref. Part
No: No:**

Description:

**Ref. Part
No: No:**

Description:

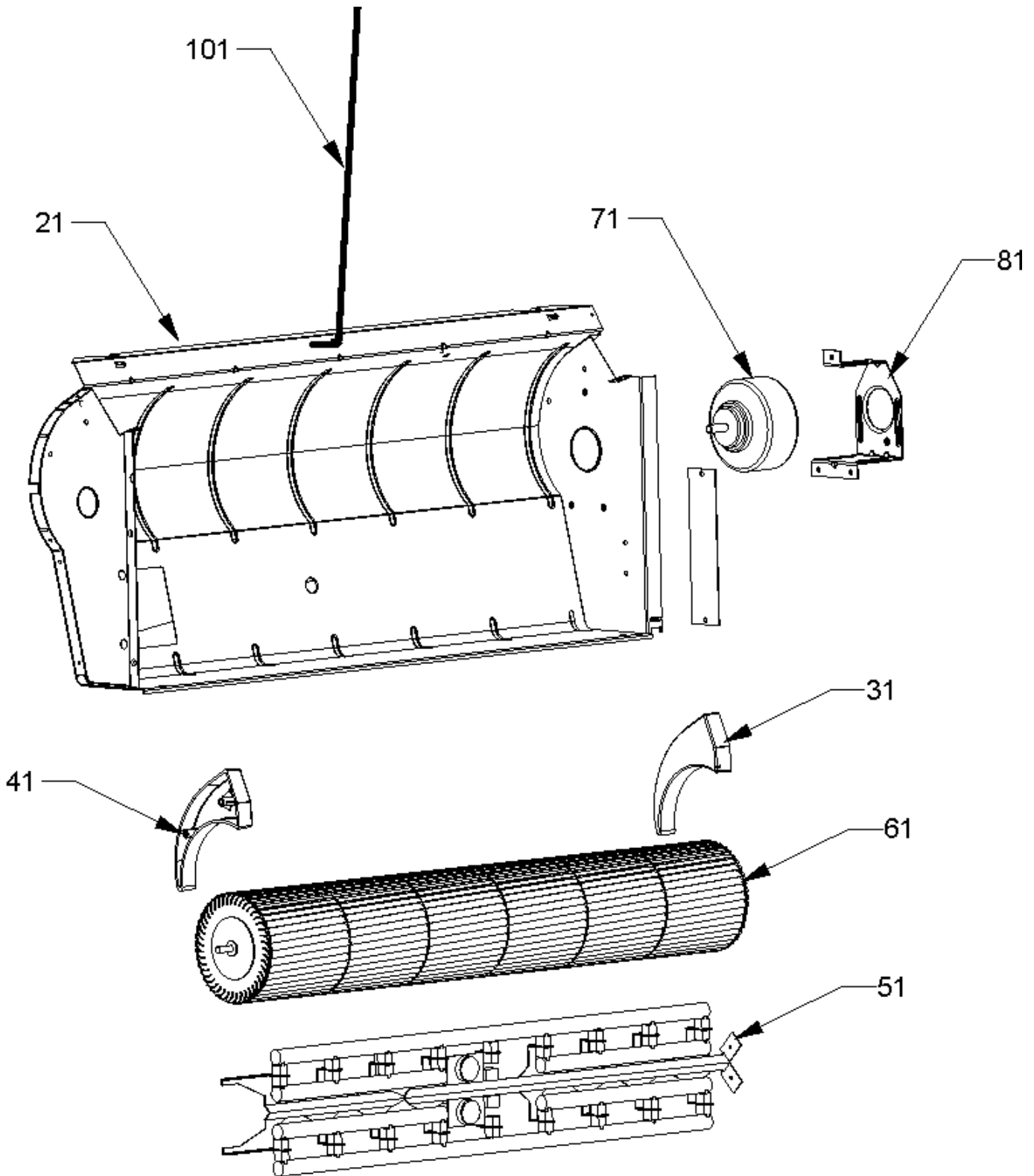
Image 1:

| | | |
|-----|----------------|--|
| 11 | 0121P00056DG | BASEPAN, PNT |
| 21 | 0161P00044 | PLASTIC-DRAIN PAN |
| 51 | C6300502 | CAPACITOR STRAP |
| 71 | 0121P00063DG | TOP, PARTITION PANEL PNT |
| 81 | CAP015000500RP | CAPACITOR |
| 101 | 0121P00071DG | BRACE, TIE PNT (QTY 2) |
| 121 | 11114701 | CORD 277 VAC, 20A (M1, M2, M3, M4, M5, M6, M7, M8, M9, M10, M11) |
| 121 | 11114801 | CORD 277 VAC, 30A (M12, M13, M14) |
| 131 | RSKP0005 | CONTROL PANEL COVER AND MEMBRANE |
| 141 | 0161P00016 | PLASTIC-HOOD |
| 151 | 20410801 | ACCESS COVER |
| 161 | 0121P00061DG | CUTOFF-SCROLL DG |
| 171 | 0121P00070DG | COVER, MOTOR PNT |
| NS | 20403301 | MID PARTITION PANEL |
| NS | 20416201 | SEAL-L SIDE PTC |
| NS | 20416101 | SEAL-R SIDE PTC |

Expanded Model Nomenclature

| |
|-----------------------|
| M1 - PTH154G25AXXXAA |
| M2 - PTH154G25CXXXAA |
| M3 - PTH154G25DRXXAA |
| M4 - PTH154G25DXXXAA |
| M5 - PTH154G25RXXXAA |
| M6 - PTH154G35AXXXAA |
| M7 - PTH154G35CXXXAA |
| M8 - PTH154G35QRXXAA |
| M9 - PTH154G35QXXXAA |
| M10 - PTH154G35RXXXAA |
| M11 - PTH154G35VXXXAA |
| M12 - PTH154G50AXXXAA |
| M13 - PTH154G50CXXXAA |
| M14 - PTH154G50RXXXAA |

Indoor Assy



Indoor Assy

| Ref. Part No: No: | Description: | Ref. Part No: No: | Description: |
|-------------------|--------------|-------------------|--------------|
|-------------------|--------------|-------------------|--------------|

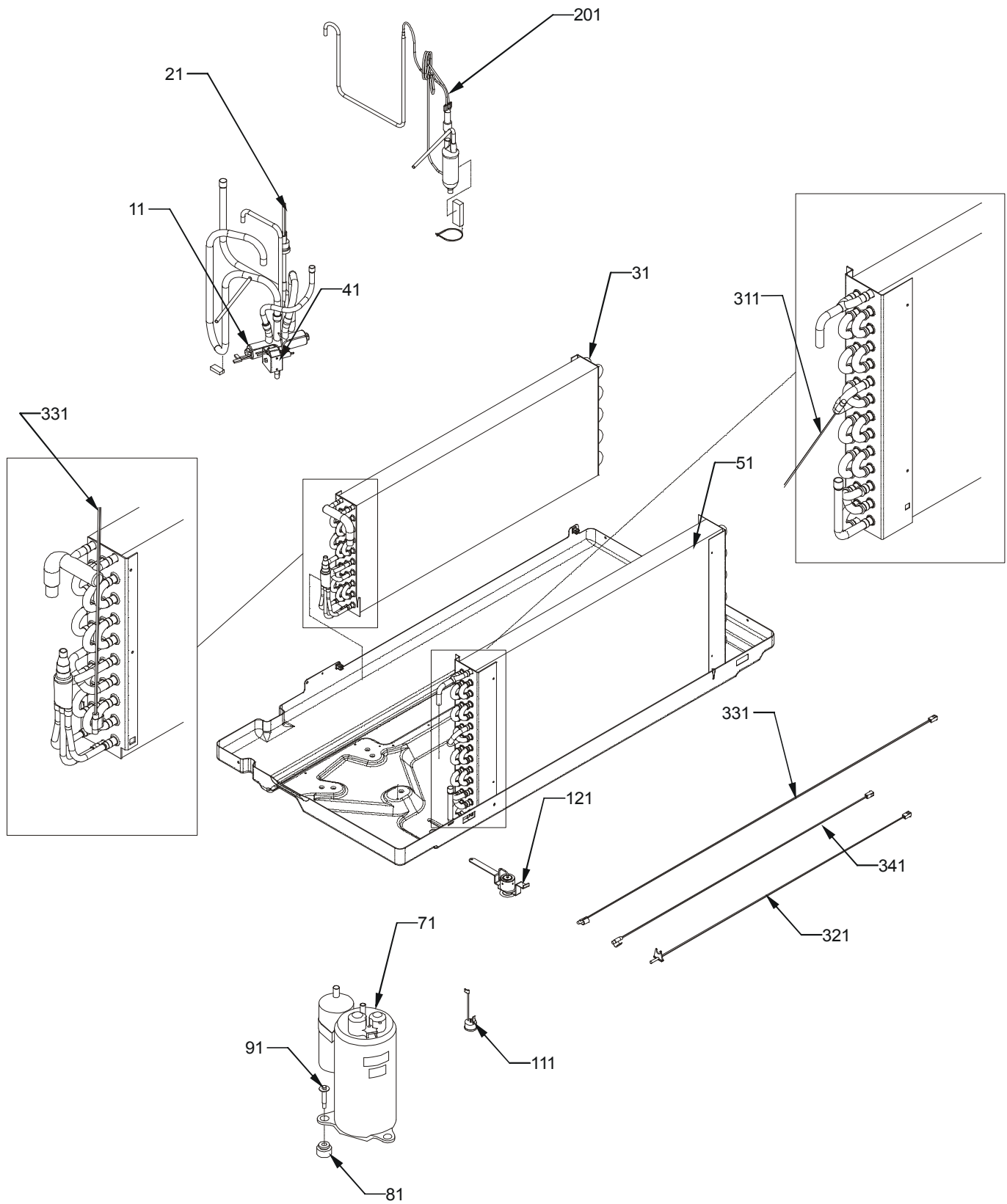
Image 1:

| | | |
|-----|------------|--|
| 21 | 0270P01070 | SCROLL ASSY |
| 31 | 0161P00021 | END CAP, RIGHT |
| 41 | 0161P00022 | END CAP, LEFT |
| 51 | 0275P00023 | HEATER ASSY (M1, M2, M3, M4, M5) |
| 51 | 0275P00024 | HEATER ASSY (M6, M7, M8, M9, M10, M11) |
| 51 | 0275P00025 | HEATER ASSY (M12, M13, M14) |
| 61 | 0150P00004 | WHEEL, BLOWER |
| 71 | 0131P00026 | FAN MOTOR, INDOOR 265V |
| 81 | 0121P00048 | BRACKET-MOTOR MOUNT |
| 101 | 0130P00075 | THERMISTOR-DISCHARGE |
| NS | 0163P00027 | BEARING |

Expanded Model Nomenclature

| |
|-----------------------|
| M1 - PTH154G25AXXXAA |
| M2 - PTH154G25CXXXAA |
| M3 - PTH154G25DRXXAA |
| M4 - PTH154G25DXXXAA |
| M5 - PTH154G25RXXXAA |
| M6 - PTH154G35AXXXAA |
| M7 - PTH154G35CXXXAA |
| M8 - PTH154G35QRXXAA |
| M9 - PTH154G35QXXXAA |
| M10 - PTH154G35RXXXAA |
| M11 - PTH154G35VXXXAA |
| M12 - PTH154G50AXXXAA |
| M13 - PTH154G50CXXXAA |
| M14 - PTH154G50RXXXAA |

Tubing Assy



Tubing Assy

| Ref. Part No: No: | Description: | Ref. Part No: No: | Description: |
|-------------------|--------------|-------------------|--------------|
|-------------------|--------------|-------------------|--------------|

Image 1:

| | | |
|-----|--------------|---|
| 11 | 0151P00001 | REVERSING VALVE ASSY-265V |
| 21 | 0130M00132 | HIGH PRESSURE SWITCH |
| 31 | 0202P00065 | EVAP ASSY, 5/16, 3 ROW |
| 41 | 0130P00022 | REVERSING VALVE COIL |
| 51 | 0201P00079 | CONDENSER ASSY (M1, M3, M4, M5, M6, M8, M9, M10, M11, M12, M14) |
| 51 | 0201P00083DG | CONDENSER ASSY PNT (M2, M7, M13) |
| 71 | 50A367Q | COMPRESSOR, RECHI |
| 81 | 60140209 | GROMMET - RECHI COMPRESSOR (QTY 3) |
| 91 | M0253610 | SHOULDER SCREW (QTY 3) |
| 111 | 60343525 | OVERLOAD PROTECTOR |
| 121 | 20406303 | BASE PAN VALVE |
| 201 | 0210P00152 | CAPILLARY WELDMENT |
| 311 | 0130P00093 | THERMISTOR |
| 321 | 0130P00074 | THERMISTOR |
| 331 | 0130P00086 | THERMISTOR-INDOOR COIL |
| 341 | 0130P00077 | THERMISTOR (M3, M5, M8, M10, M14) |
| NS | 0162M00153 | FLOWRATOR |
| NS | 60500101 | OLP SPRING - RECHI COMPRESSOR |
| NS | BT1392310 | PLASTIC CLAMP, .1875 DIA (M3, M4, M11) |
| NS | 60100314 | TERMINAL COVER - RECHI COMP |
| NS | 60100103 | TERMINAL GASKET |
| NS | 60100401 | TERMINAL NUT - RECHI COMP |
| NS | 60100201 | WASHER - RECHI COMPRESSOR |

Expanded Model Nomenclature

| |
|-----------------------|
| M1 - PTH154G25AXXXAA |
| M2 - PTH154G25CXXXAA |
| M3 - PTH154G25DRXXAA |
| M4 - PTH154G25DXXXAA |
| M5 - PTH154G25RXXXAA |
| M6 - PTH154G35AXXXAA |
| M7 - PTH154G35CXXXAA |
| M8 - PTH154G35QRXXAA |
| M9 - PTH154G35QXXXAA |
| M10 - PTH154G35RXXXAA |
| M11 - PTH154G35VXXXAA |
| M12 - PTH154G50AXXXAA |
| M13 - PTH154G50CXXXAA |
| M14 - PTH154G50RXXXAA |