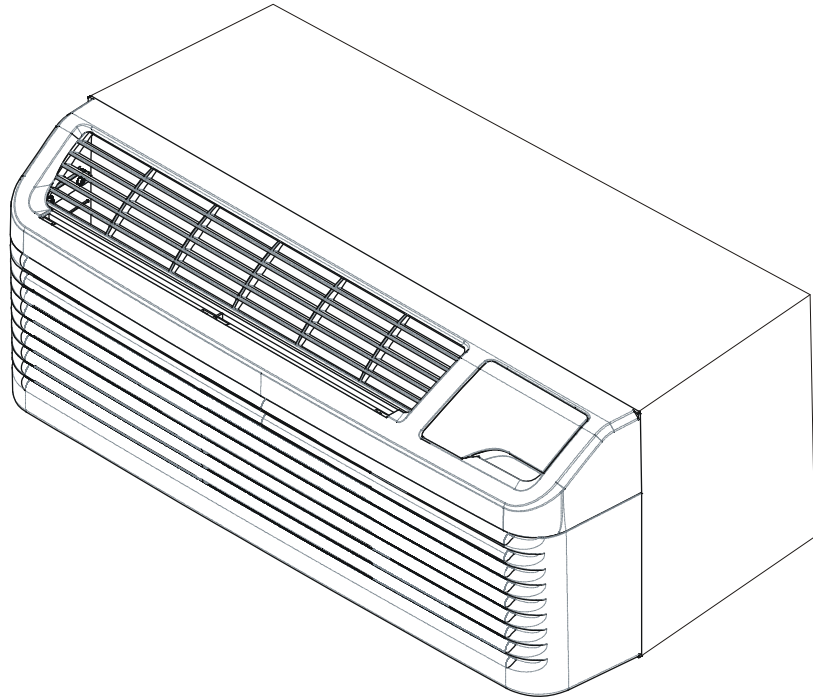


REPAIR PARTS

PTH153E Series R410A Heat Pumps

PTH153E25AXXXAA
PTH153E25AXXXAC
PTH153E35AXXXAA
PTH153E35AXXXAC
PTH153E35CRXXAA
PTH153E35DRXXAC
PTH153E35QRXXAA
PTH153E35QRXXAC
PTH153E35QXXAC
PTH153E50AXXXAA
PTH153E50AXXXAC
PTH153E50DXXAC
PTH153E50QXXAC
PTH153E50RVXXAC
PTH153E50VXXAC



This manual is to be used by qualified technicians only.

This manual replaces RP-679B.

© 2012-2013 Goodman Manufacturing Company, L.P. ♦ 5151 San Felipe, Suite 500 ♦ Houston, TX 77056

Important Information

Index

Functional Parts List	3
Illustration and Parts	4 - 13

Views shown are for parts illustrations only, not servicing procedures.

This system uses R410A refrigerant. If sealed system work is required, use approved equipment and follow service procedures. Refer to Service Manual or Installation Instructions for service procedures.

Text Codes:

AR - As Required

NA - Not Available

NS - Not Shown

00000000 - See Note

QTY - Quantity Example (QTY 3) (If Quantity not shown, Quantity = 1)

M - Model Example (M1) (If M Code not shown, then part is used on all Models)

Expanded Model Nomenclature:

Example M1 - Model#1 M2 - Model#2 M3 - Model#3

Goodman Manufacturing Company, L.P. is not responsible for personal injury or property damage resulting from improper service. Review all service information before beginning repairs.

Warranty service must be performed by an authorized technician, using authorized factory parts. If service is required after the warranty expires, Goodman Manufacturing Company, L.P. also recommends contacting an authorized technician and using authorized factory parts.

Goodman Manufacturing Company, L.P. reserves the right to discontinue, or change at any time, specifications or designs without notice or without incurring obligations.

For assistance within the U.S.A. contact:
Consumer Affairs Department
Goodman Manufacturing Company, L.P.
7401 Security Way
Houston, Texas 77040
877-254-4729-Telephone
713-863-2382-Facsimile

For assistance outside the U.S.A. contact:
International Division
Goodman Manufacturing Company, L.P.
7401 Security Way
Houston, Texas 77040
713-861-2500-Telephone
713-863-2382-Facsimile

Functional Parts

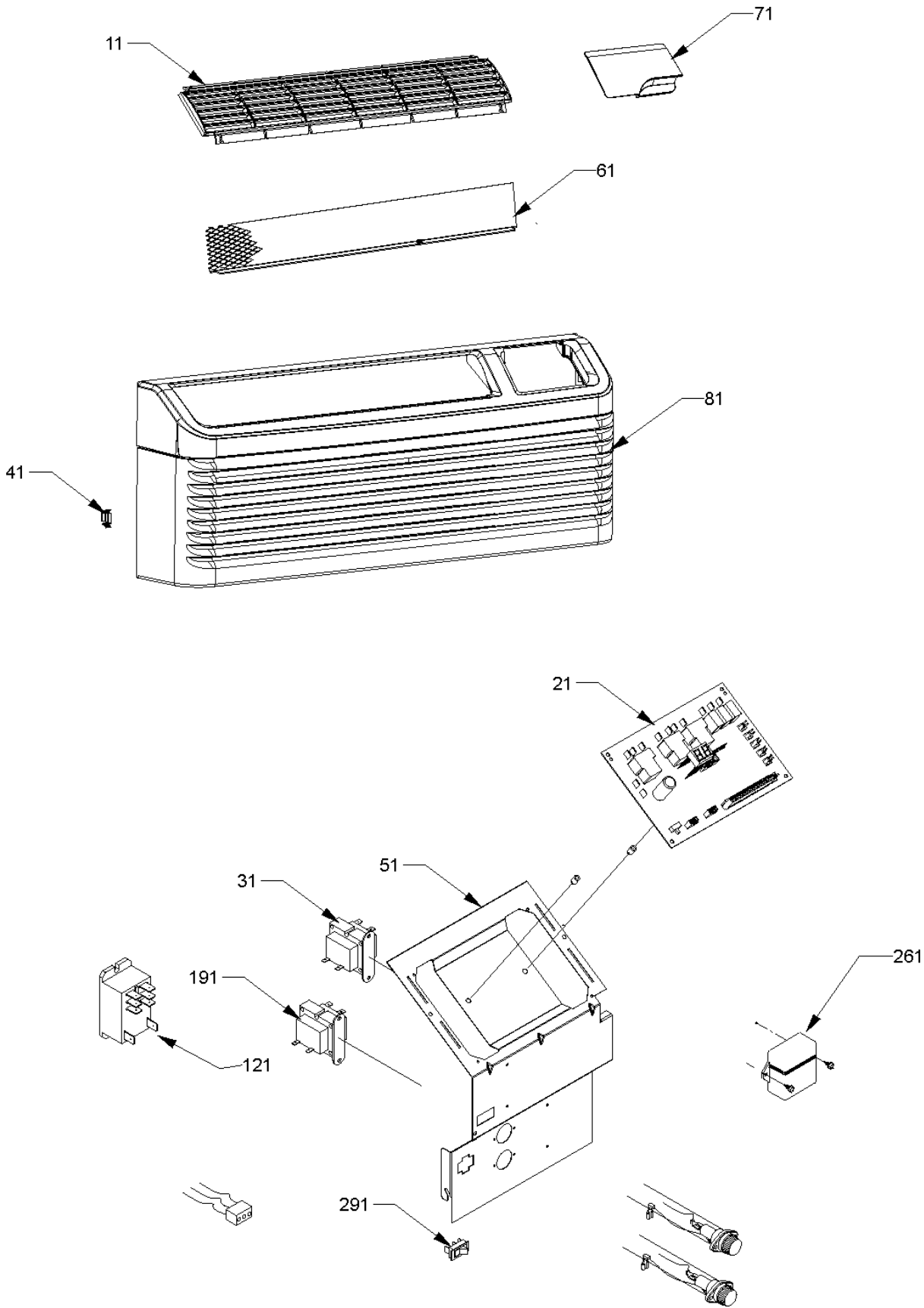
Part No: **Description:**

CAP030300440RS	CAP, 3/30 MFD/440V/DUAL RD (M1, M3, M5, M7, M10)
CAP050300450RS	CAP, 5/30 MFD/450V/DUAL RD (M2, M4, M6, M8, M9, M11, M12, M13, M14, M15)
CAP020000440RP	CAPACITOR
50A362Q	COMPRESSOR, RECHI
RSKP0010	CONTROL BOARD M61
RSKP0005	CONTROL PANEL COVER AND MEMBRANE
0130P00069	CORD, 250VAC, 15A (LCD) (M1, M2)
0130P00058	CORD, 250VAC, 20A (LCD) (M3, M4, M5, M6, M7, M8, M9)
0130P00062	CORD, 250VAC, 30A (LCD) (M10, M11, M12, M13, M14, M15)
0131P00025	FAN MOTOR OUTDOOR (M2, M4, M6, M8, M9, M11, M12, M13, M14, M15)
0131P00007	FAN MOTOR, INDOOR
0131P00008	FAN MOTOR, OUTDOOR (M1, M3, M5, M7, M10)
0161P00030	FAN, CONDENSER
0275P00021	HEATER ASSY (M10, M11, M12, M13, M14, M15)
0275P00020	HEATER ASSY (M3, M4, M5, M6, M7, M8, M9)
0275P00019	HEATER ASSY (M1, M2)
60343546	OVERLOAD PROTECTOR
0130M00096	RELAY (M2, M4, M6, M8, M9, M11, M12, M13, M14, M15)
C8873932	RELAY (POWER VENT) (M6, M12, M14, M15)
0151P00000	REVERSING VALVE ASSY-230V
0130M00132	SWITCH, HIGH PRESS
20295711	THERMISTOR
0130P00074	THERMISTOR
0130P00075	THERMISTOR-DISCHARGE
0130P00033	THERMISTOR-INDOOR COIL
0130P00039	THERMISTOR-OUTDOOR AMBIENT (M5, M6, M7, M8, M14)
B1378501	TRANSFORMER (M6, M12, M14, M15)
20512501	TRANSFORMER (HYDRONIC)
0150P00004	WHEEL, BLOWER

Expanded Model Nomenclature

M1 - PTH153E25AXXXAA
M2 - PTH153E25AXXXAC
M3 - PTH153E35AXXXAA
M4 - PTH153E35AXXXAC
M5 - PTH153E35CRXXAA
M6 - PTH153E35DRXXAC
M7 - PTH153E35QRXXAA
M8 - PTH153E35QRXXAC
M9 - PTH153E35QXXAC
M10 - PTH153E50AXXXAA
M11 - PTH153E50AXXXAC
M12 - PTH153E50DXXAC
M13 - PTH153E50QXXAC
M14 - PTH153E50RVXXAC
M15 - PTH153E50VXXAC

Front Assy & Control Panel Assy



Front Assy & Control Panel Assy

Ref. Part No: No:	Description:	Ref. Part No: No:	Description:
-------------------	--------------	-------------------	--------------

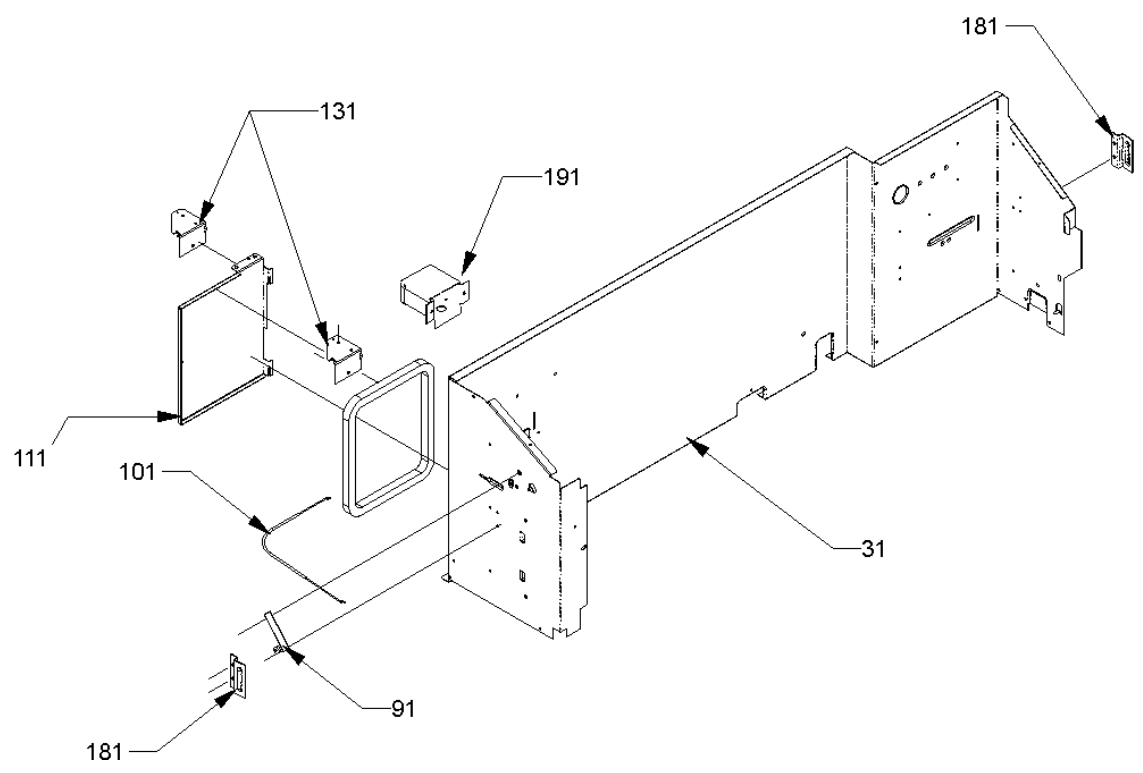
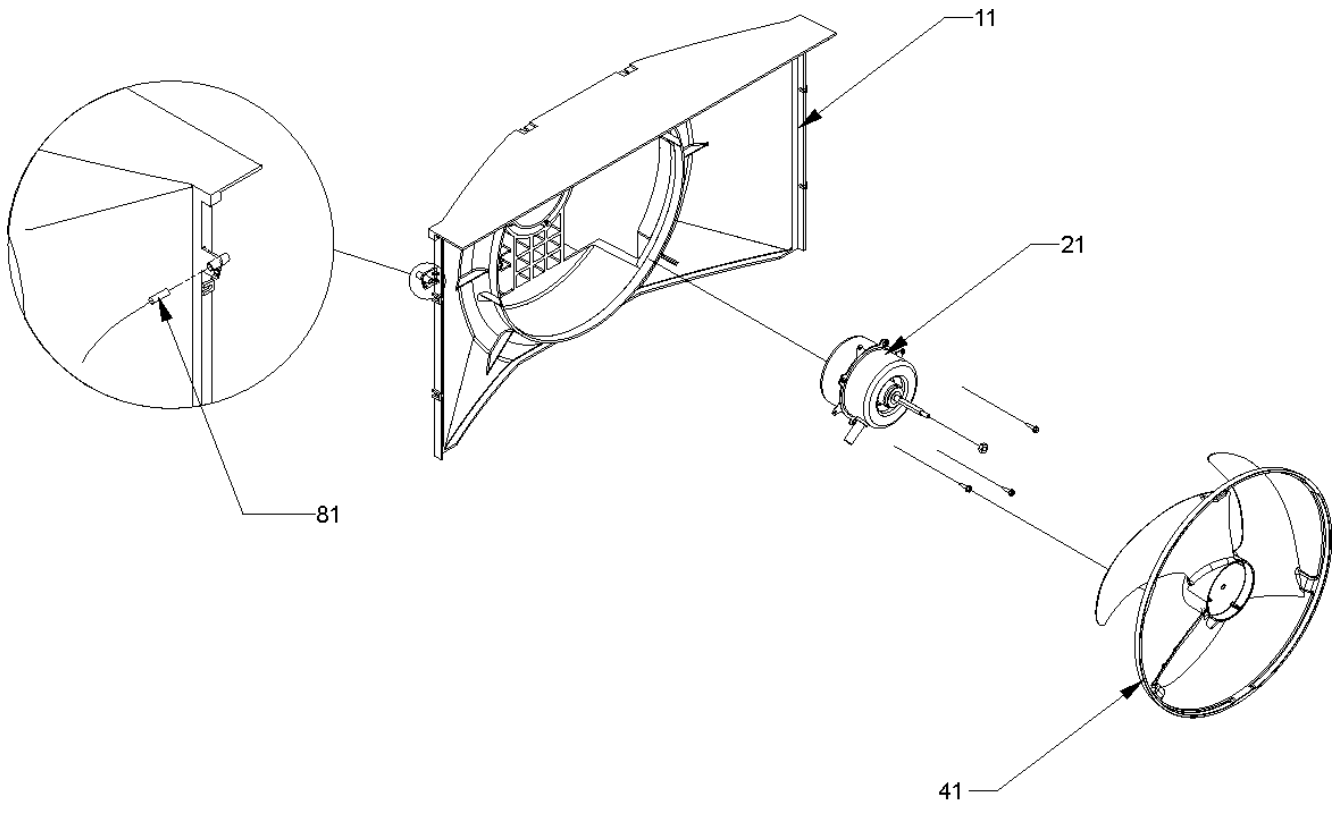
Image 1:

11	0161P00033	FRONT-DICHARGE LOUVERS
21	RSKP0010	CONTROL BOARD M61
31	20512501	TRANSFORMER (HYDRONIC)
41	0163P00025	CLIP (QTY 2)
51	0121P00087	PANEL, CONTROL
61	0121P00073	SCREEN, DISCHARGE
71	0261P00003	DOOR ASSY -AMANA-
81	0261P00011	FRONT ASSY
121	0130M00096	RELAY (M2, M4, M6, M8, M9, M11, M12, M13, M14, M15)
121	C8873932	RELAY (POWER VENT) (M6, M12, M14, M15)
191	B1378501	TRANSFORMER (M6, M12, M14, M15)
261	1261401	DIGITENNA (M5, M6, M7, M8, M14)
291	B1337701	PADDLE SWITCH (M6, M12, M14, M15)
NS	0161P00035	FILTER, RACK (QTY 2)

Expanded Model Nomenclature

M1 - PTH153E25AXXXAA
M2 - PTH153E25AXXXAC
M3 - PTH153E35AXXXAA
M4 - PTH153E35AXXXAC
M5 - PTH153E35CRXXAA
M6 - PTH153E35DRXXAC
M7 - PTH153E35QRXXAA
M8 - PTH153E35QRXXAC
M9 - PTH153E35QXXXAC
M10 - PTH153E50AXXXAA
M11 - PTH153E50AXXXAC
M12 - PTH153E50DXXXAC
M13 - PTH153E50QXXXAC
M14 - PTH153E50RVXXAC
M15 - PTH153E50VXXXAC

Outdoor Assy



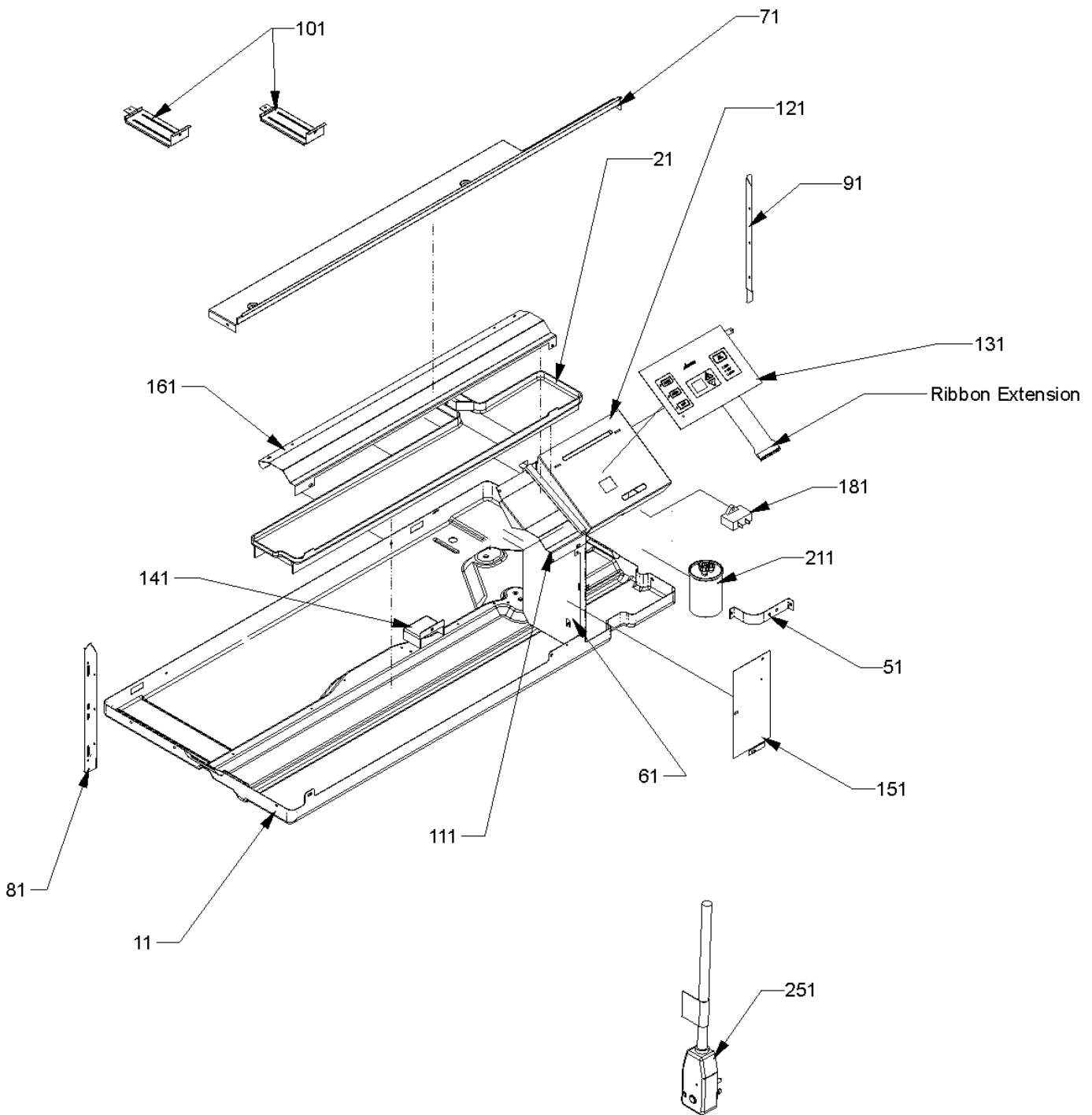
Outdoor Assy

Ref. Part No:	No:	Description:	Ref. Part No:	No:	Description:
<i>Image 1:</i>					
11	0161P00026	SHROUD, CONDENSER			
21	0131P00025	FAN MOTOR OUTDOOR (M2, M4, M6, M8, M9, M11, M12, M13, M14, M15)			
21	0131P00008	FAN MOTOR, OUTDOOR (M1, M3, M5, M7, M10)			
41	0161P00030	FAN, CONDENSER			
81	0130P00039	THERMISTOR-OUTDOOR AMBIENT (M5, M6, M7, M8, M14)			
91	11046302	LEVER ARM (M1, M2, M3, M4, M5, M7, M10, M11)			
101	0163P00019	CABLE			
111	11046105PDG	VENT DOOR (M1, M2, M3, M4, M5, M6, M7, M10, M11, M12, M14, M15)			
131	0121P00079	BRACKET, VENT DOOR (M6, M12, M14, M15)			
131	0121P00072DG	BRACKET, VENT DOOR-C (M1, M2, M3, M4, M5, M7, M10, M11)			
181	0121P00093	PANEL-PARTITION (M8, M9, M13)			
181	0121P00089DG	PANEL-PARTITION PNT (M1, M2, M3, M4, M5, M6, M7, M10, M11, M12, M13, M14, M15)			
191	0270P00997	POWER DOOR ASSY (M6, M12)			

Expanded Model Nomenclature

M1 - PTH153E25AXXXAA
M2 - PTH153E25AXXXAC
M3 - PTH153E35AXXXAA
M4 - PTH153E35AXXXAC
M5 - PTH153E35CRXXAA
M6 - PTH153E35DRXXAC
M7 - PTH153E35QRXXAA
M8 - PTH153E35QRXXAC
M9 - PTH153E35QXXXAC
M10 - PTH153E50AXXXAA
M11 - PTH153E50AXXXAC
M12 - PTH153E50DXXXAC
M13 - PTH153E50QXXXAC
M14 - PTH153E50RVXXAC
M15 - PTH153E50VXXXAC

Partition Assy



Partition Assy

Ref. Part No: No:	Description:	Ref. Part No: No:	Description:
-------------------	--------------	-------------------	--------------

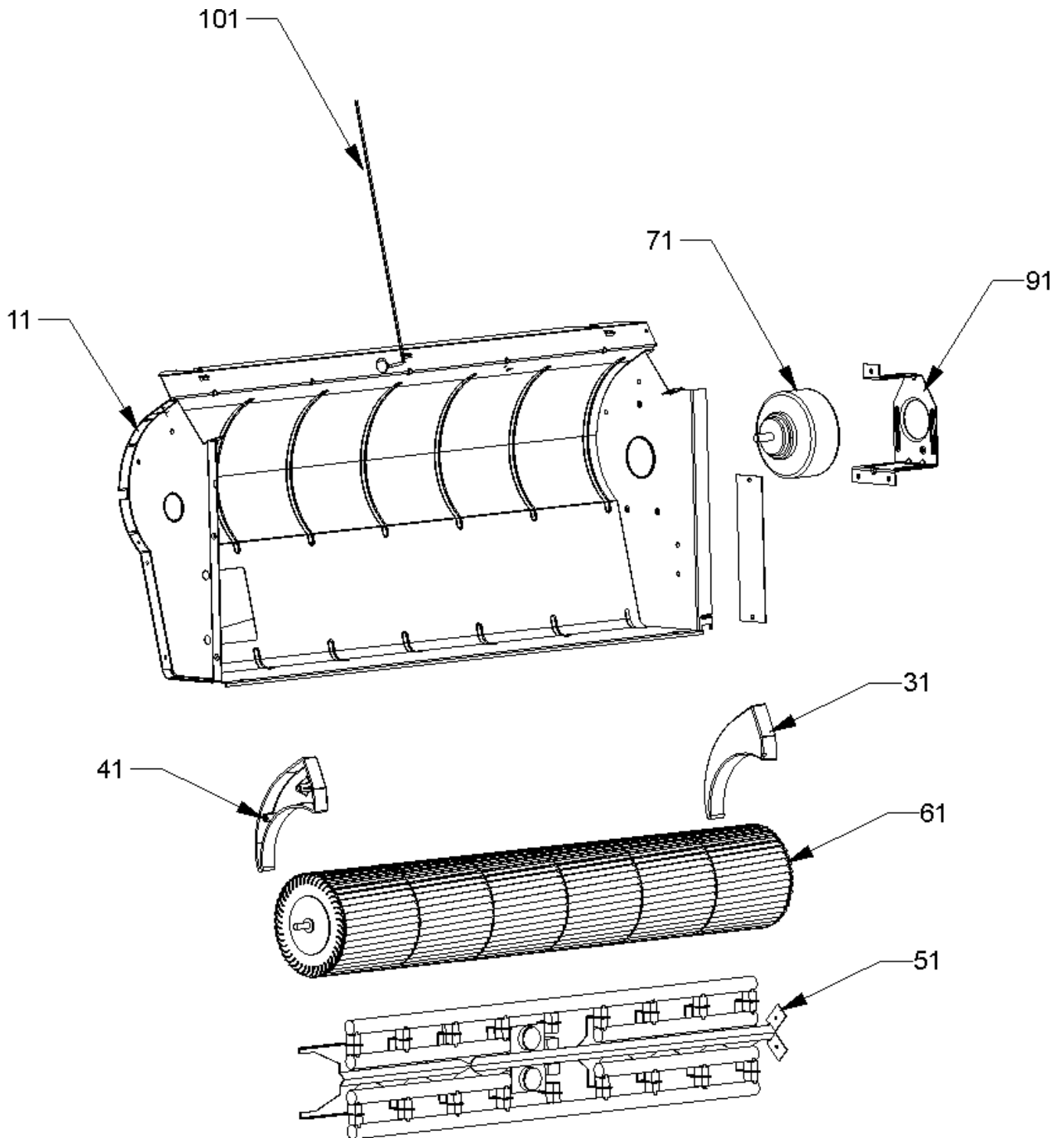
Image 1:

11	0121P00056DG	BASEPAN, PNT
21	0161P00044	PLASTIC-DRAIN PAN
51	C6300502	CAPACITOR STRAP
61	20403301	MID PARTITION PANEL
71	0121P00063DG	TOP, PARTITION PANEL PNT
81	20416201	SEAL-L SIDE PTC
91	20416101	SEAL-R SIDE PTC
101	0121P00071DG	BRACE, TIE (QTY 2)
121	0121P00001P	CONTROL PANEL COVER
131	RSKP0005	CONTROL PANEL COVER AND MEMBRANE
141	0161P00016	PLASTIC-HOOD
151	20410801	ACCESS COVER
161	0121P00061DG	CUTOFF-SCROLL DG
181	CAP020000440RP	CAPACITOR
211	CAP030300440RS	CAP, 3/30 MFD/440V/DUAL RD (M1, M3, M5, M7, M10)
211	CAP050300450RS	CAP, 5/30 MFD/450V/DUAL RD (M2, M4, M6, M8, M9, M11, M12, M13, M14, M15)
251	0130P00069	CORD, 250VAC, 15A (LCD) (M1, M2)
251	0130P00058	CORD, 250VAC, 20A (LCD) (M3, M4, M5, M6, M7, M8, M9)
251	0130P00062	CORD, 250VAC, 30A (LCD) (M10, M11, M12, M13, M14, M15)
NS	0121P00070DG	COVER, MOTOR PNT

Expanded Model Nomenclature

M1 - PTH153E25AXXXAA
M2 - PTH153E25AXXXAC
M3 - PTH153E35AXXXAA
M4 - PTH153E35AXXXAC
M5 - PTH153E35CRXXAA
M6 - PTH153E35DRXXAC
M7 - PTH153E35QRXXAA
M8 - PTH153E35QRXXAC
M9 - PTH153E35QXXXAC
M10 - PTH153E50AXXXAA
M11 - PTH153E50AXXXAC
M12 - PTH153E50DXXXAC
M13 - PTH153E50QXXXAC
M14 - PTH153E50RVXXAC
M15 - PTH153E50VXXXAC

Indoor Assy



Indoor Assy

Ref. Part No: No:	Description:	Ref. Part No: No:	Description:
-------------------	--------------	-------------------	--------------

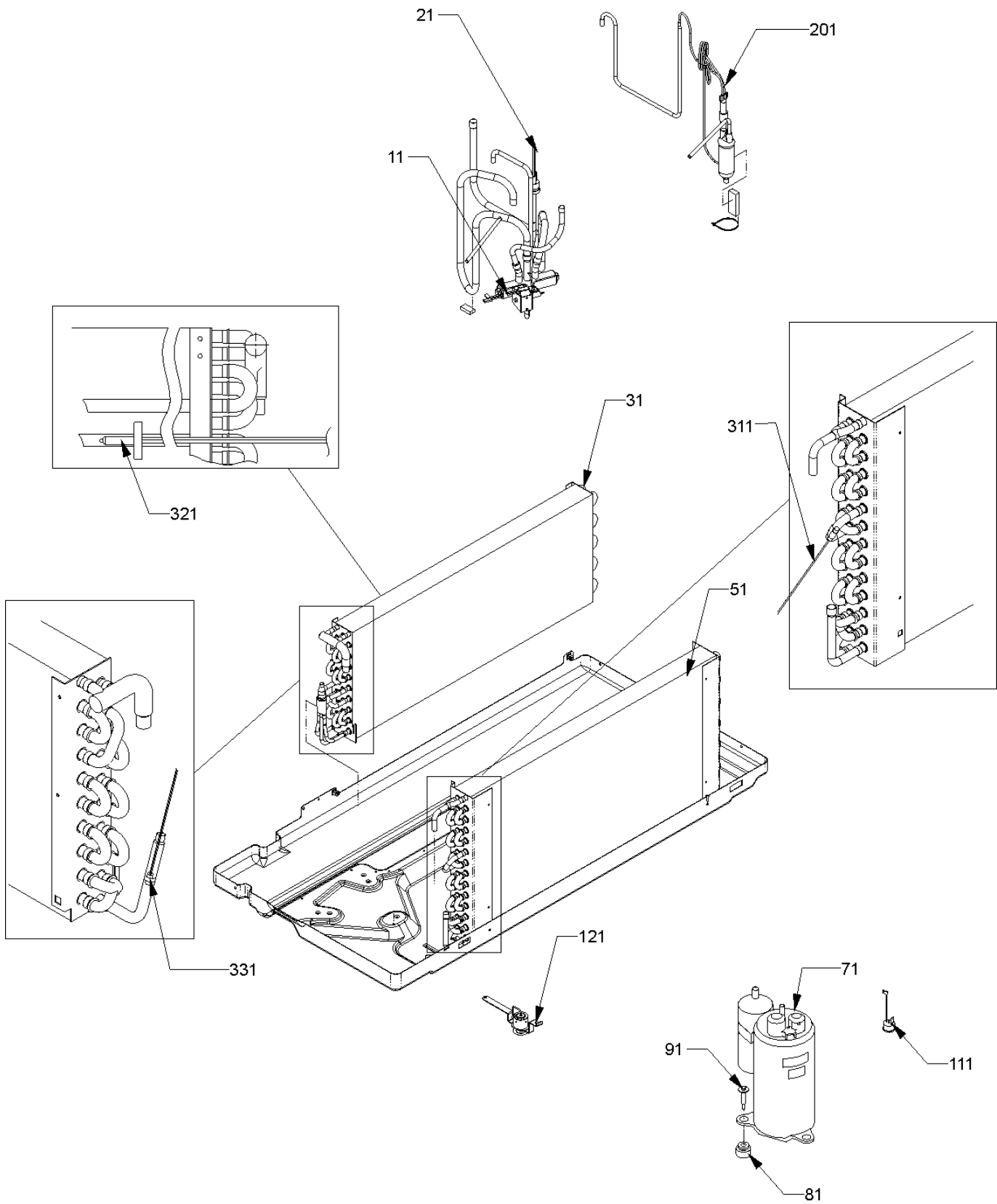
Image 1:

11	0270P01070	SCROLL ASSY
31	0161P00021	END CAP, RIGHT
41	0161P00022	END CAP, LEFT
51	0275P00019	HEATER ASSY (M1, M2)
51	0275P00020	HEATER ASSY (M3, M4, M5, M6, M7, M8, M9)
51	0275P00021	HEATER ASSY (M10, M11, M12, M13, M14, M15)
61	0150P00004	WHEEL, BLOWER
71	0131P00007	FAN MOTOR, INDOOR
91	0121P00048	BRACKET-MOTOR MOUNT
101	0130P00075	THERMISTOR-DISCHARGE
NS	0163P00027	BEARING

Expanded Model Nomenclature

M1 - PTH153E25AXXXAA
M2 - PTH153E25AXXXAC
M3 - PTH153E35AXXXAA
M4 - PTH153E35AXXXAC
M5 - PTH153E35CRXXAA
M6 - PTH153E35DRXXAC
M7 - PTH153E35QRXXAA
M8 - PTH153E35QRXXAC
M9 - PTH153E35QXXXAC
M10 - PTH153E50AXXXAA
M11 - PTH153E50AXXXAC
M12 - PTH153E50DXXXAC
M13 - PTH153E50QXXXAC
M14 - PTH153E50RVXXAC
M15 - PTH153E50VXXXAC

Tubing Assy



Tubing Assy

Ref. Part No: No:	Description:	Ref. Part No: No:	Description:
-------------------	--------------	-------------------	--------------

Image 1:

11	0151P00000	REVERSING VALVE ASSY-230V
21	0130M00132	SWITCH, HIGH PRESS
31	0202P00065	EVAP ASSY, 5/16, 3 ROW
51	0201P00079	CONDENSER ASSY (M1, M2, M3, M4, M6, M7, M8, M9, M10, M11, M12, M13, M14, M15)
51	0201P00083DG	CONDENSER ASSY PNT (M5)
71	50A362Q	COMPRESSOR, RECHI
81	60140209	GROMMET - RECHI COMPRESSOR (QTY 3)
91	M0253610	SHOULDER SCREW (QTY 3)
111	60343546	OVERLOAD PROTECTOR
121	20406303	BASE PAN VALVE
201	0210P00152	CAPILLARY WELDMENT
311	20295711	THERMISTOR
321	0130P00074	THERMISTOR
331	0130P00033	THERMISTOR-INDOOR COIL
NS	0162M00153	FLOWRATOR
NS	60500101	OLP SPRING - RECHI COMPRESSOR
NS	0130P00022	REVERSING VALVE COIL
NS	60100314	TERMINAL COVER - RECHI COMP
NS	60100103	TERMINAL GASKET
NS	60100401	TERMINAL NUT - RECHI COMP
NS	60100201	WASHER - RECHI COMPRESSOR

Expanded Model Nomenclature

M1 - PTH153E25AXXXAA
M2 - PTH153E25AXXXAC
M3 - PTH153E35AXXXAA
M4 - PTH153E35AXXXAC
M5 - PTH153E35CRXXAA
M6 - PTH153E35DRXXAC
M7 - PTH153E35QRXXAA
M8 - PTH153E35QRXXAC
M9 - PTH153E35QXXAC
M10 - PTH153E50AXXXAA
M11 - PTH153E50AXXXAC
M12 - PTH153E50DXXAC
M13 - PTH153E50QXXAC
M14 - PTH153E50RVXXAC
M15 - PTH153E50VXXAC