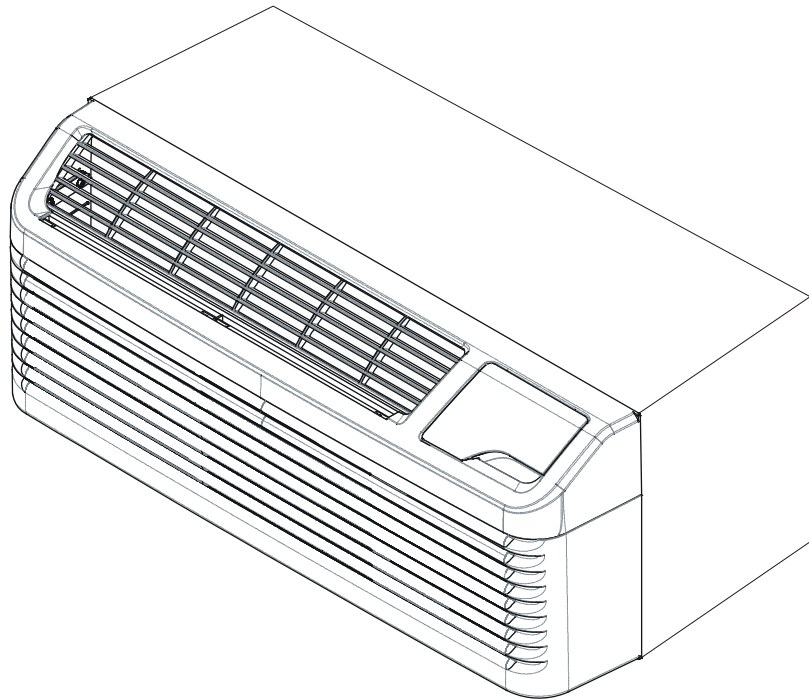


PTH094G Series PTAC Heat Pump

PTH094G15AXXXAA
PTH094G25AXXXAA
PTH094G25CXXXAA
PTH094G25DRXXAA
PTH094G25QXXXAA
PTH094G25RXXXAA
PTH094G35AXXXAA
PTH094G35CXXXAA
PTH094G35DXXXAA
PTH094G35QRXXAA
PTH094G35QXXXAA
PTH094G35RXXXAA
PTH094G35VXXXAA
PTH094G50AXXXAA
PTH094G50CXXXAA
PTH094G50RXXXAA



Amana is a registered trademark of Maytag Corporation or its related companies and is used under license to Goodman Company, L.P., Houston, TX. All rights reserved.

This manual is to be used by qualified technicians only.

This manual replaces RP-734A.

© 2009-2014 Goodman Company, L.P. ♦ 5151 San Felipe St., Suite 500 ♦ Houston, TX 77056

Important Information

Index

Functional Parts List	3
Illustration and Parts	4 - 13

Views shown are for parts illustrations only, not servicing procedures

This system uses R410A refrigerant. If sealed system work is required, use approved equipment and follow service procedures. Refer to Service Manual or Installation Instructions for service procedures.

Rev. B: Added model PTH094G15AXXX

Text Codes:

AR - As Required

NA - Not Available

NS - Not Shown

00000000 - See Note

QTY - Quantity Example (QTY 3) (If Quantity not shown, Quantity = 1)

M - Model Example (M1) (If M Code not shown, then part is used on all Models)

Expanded Model Nomenclature:

Example M1 - Model#1 M2 - Model#2 M3 - Model#3

Goodman Company, L.P. is not responsible for personal injury or property damage resulting from improper service. Review all service information before beginning repairs.

Warranty service must be performed by an authorized technician, using authorized factory parts. If service is required after the warranty expires, Goodman Company, L.P. also recommends contacting an authorized technician and using authorized factory parts.

Goodman Company, L.P. reserves the right to discontinue, or change at any time, specifications or designs without notice or without incurring obligations.

For assistance within the U.S.A. contact:

Consumer Affairs Department
Goodman Company, L.P.
7401 Security Way
Houston, Texas 77040
877-254-4729-Telephone
713-863-2382-Facsimile

For assistance outside the U.S.A. contact:

International Division
Goodman Company, L.P.
7401 Security Way
Houston, Texas 77040
713-861-2500-Telephone
713-863-2382-Facsimile

Functional Parts

Part

No: Description:

CAP020250450CS	CAPACITOR 2/25/450V/DUAL RD
44A207A	COMPRESSOR, RECHI
RSKP0005	CONTROL PANEL COVER AND MEMBRANE
11114701	CORD 277 VAC, 20A (M1, M2, M3, M4, M5, M6, M7, M8, M9, M10, M11, M12, M13)
11114801	CORD 277 VAC, 30A (M14, M15, M16)
0131P00029	FAN MOTOR, INDOOR
0131P00034	FAN MOTOR, OUTDOOR
0161P00030	FAN, CONDENSER
0275P00041	HEATER ASSY (M14, M15, M16)
0275P00040	HEATER ASSY (M7, M8, M9, M10, M11, M12, M13)
0275P00023	HEATER ASSY (M2, M3, M4, M5, M6)
0275P00026	HEATER ASSY (M1)
0130M00132	HIGH PRESSURE SWITCH
60343516	OVERLOAD PROTECTOR
PCBCP134	PCB, CONTROL, M61
11172801	POWER VENT MOTOR (M4, M9, M13)
0130M00097	RELAY
C8873932	RELAY (POWER VENT) (M4, M9, M13)
0151P00001	REVERSING VALVE ASSY-265V
0130P00022	REVERSING VALVE COIL
B1160701	TERMINAL BOARD (M4, M9, M13)
0130P00075	THERMISTOR
0130P00074	THERMISTOR
0130P00077	THERMISTOR - INDOOR (M4, M6, M10, M12, M16)
0130P00086	THERMISTOR .312 CLIP, RED
0130P00093	THERMISTOR .375 CLIP, BLUE
0130P00098	THERMISTOR-OUTDOOR AMBIENT (M4, M6, M10, M12, M16)
0130M00152	TRANSFORMER
0130M00151	TRANSFORMER 277V to 24V, 40VA (M4, M9, M13)
PCBEP100	VARIABLE SPEED TERMINAL BOARD
0150P00004	WHEEL, BLOWER

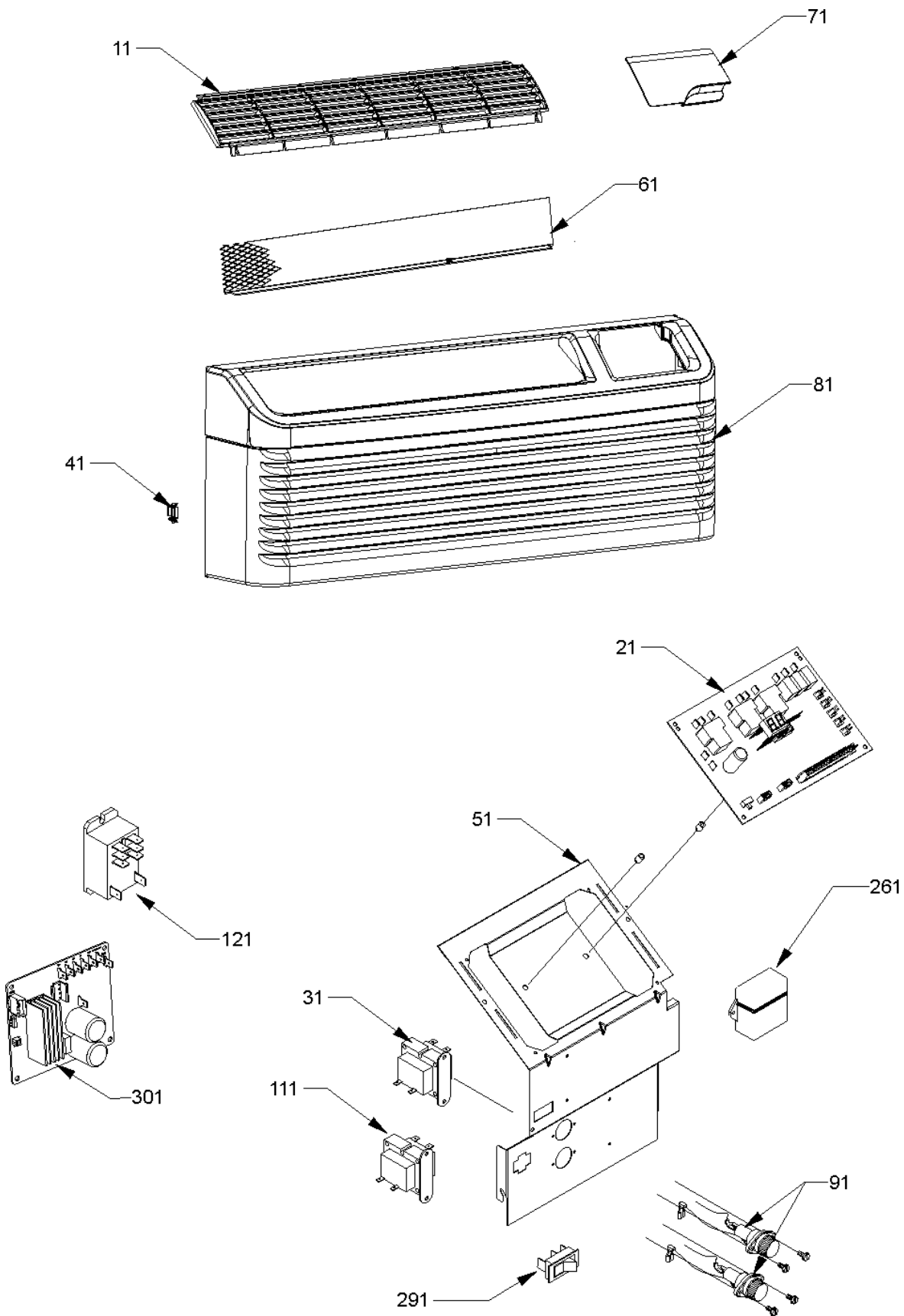
Expanded Model Nomenclature

M1 - PTH094G15AXXXAA
M2 - PTH094G25AXXXAA
M3 - PTH094G25CXXXAA
M4 - PTH094G25DRXXXAA
M5 - PTH094G25QXXXAA
M6 - PTH094G25RXXXAA
M7 - PTH094G35AXXXAA
M8 - PTH094G35CXXXAA
M9 - PTH094G35DXXXAA
M10 - PTH094G35QRXXXAA
M11 - PTH094G35QXXXAA
M12 - PTH094G35RXXXAA
M13 - PTH094G35VXXXAA
M14 - PTH094G50AXXXAA
M15 - PTH094G50CXXXAA
M16 - PTH094G50RXXXAA

SPECIAL PARTS

A3410402	FUSE 15A (M1, M2, M3, M4, M5, M6)
A3410403	FUSE 20A (M7, M8, M9, M10, M11, M12, M13)
A3410404	FUSE 25A (M14, M15, M16)

Front Assy



Front Assy

Ref. Part No: No:	Description:	Ref. Part No: No:	Description:
-------------------	--------------	-------------------	--------------

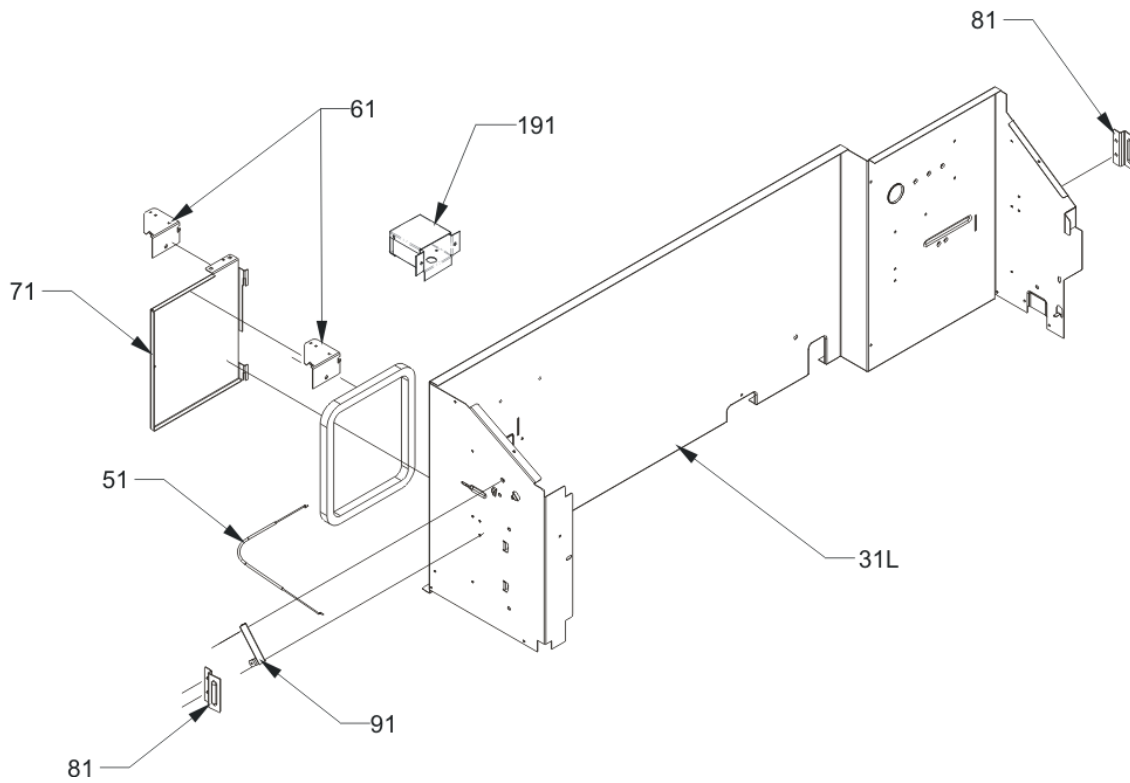
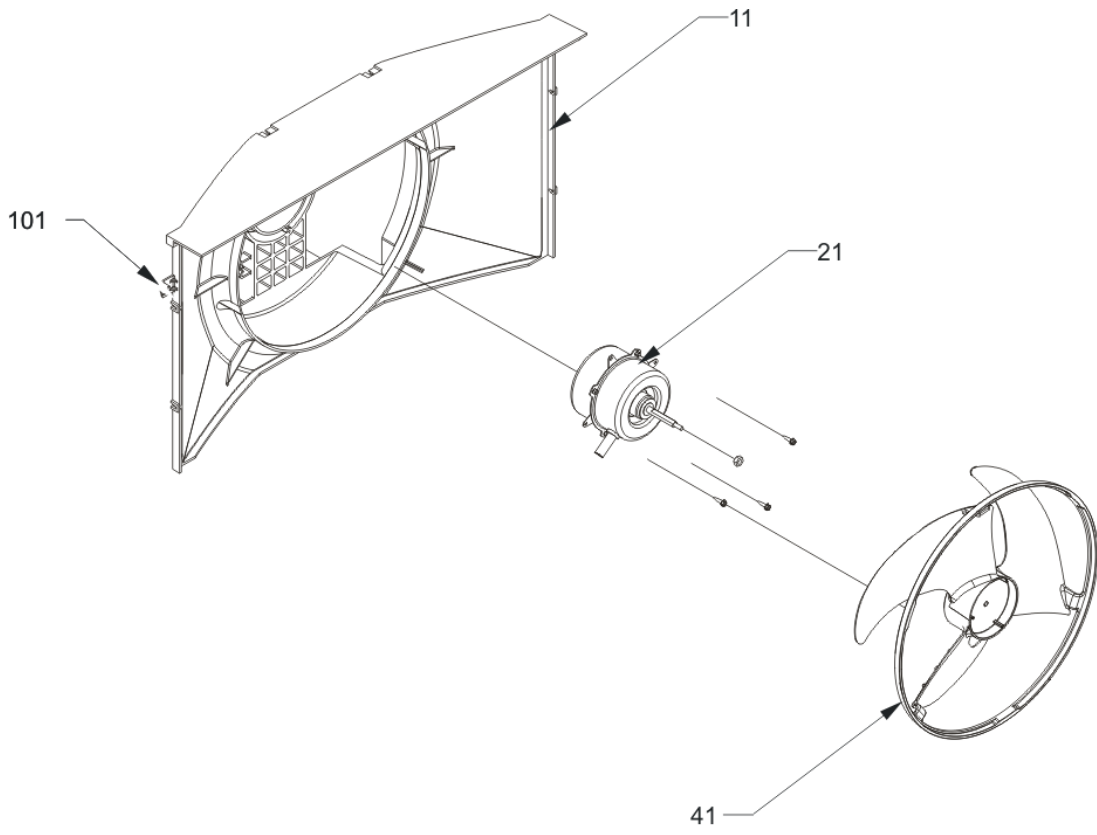
Image 1:

11	0161P00033	FRONT-DICHARGE LOUVERS
21	PCBCP134	PCB, CONTROL, M61
31	0130M00152	TRANSFORMER
41	0163P00025	CLIP (QTY 2)
51	0121P00129	COVER-CONTROL PANEL
61	0121P00073	SCREEN, DISCHARGE
71	0261P00003	DOOR ASSY -AMANA-
81	0261P00011	FRONT ASSY
91	C6476001	BAYONET FUSE HOLDER (M1, M2, M3, M4, M5, M6)
91	C6476002	BAYONET FUSE HOLDER (M7, M8, M9, M10, M11, M12, M13)
91	C6476003	BAYONET FUSE HOLDER (M14, M15, M16)
111	0130M00151	TRANSFORMER 277V to 24V, 40VA (M4, M9, M13)
121	0130M00097	RELAY
121	C8873932	RELAY (POWER VENT) (M4, M9, M13)
261	0130P00104	ANTENNA (M4, M6, M10, M12, M16)
291	B1337701	PADDLE SWITCH (M4, M9, M13)
301	PCBEP100	VARIABLE SPEED TERMINAL BOARD
NS	0161P00035	FILTER, RACK (QTY 2)
NS	A3410402	FUSE 15A (M1, M2, M3, M4, M5, M6)
NS	A3410403	FUSE 20A (M7, M8, M9, M10, M11, M12, M13)
NS	A3410404	FUSE 25A (M14, M15, M16)
NS	B1160701	TERMINAL BOARD (M4, M9, M13)

Expanded Model Nomenclature

M1 - PTH094G15AXXXAA
M2 - PTH094G25AXXXAA
M3 - PTH094G25CXXXAA
M4 - PTH094G25DRXXAA
M5 - PTH094G25QXXXAA
M6 - PTH094G25RXXXAA
M7 - PTH094G35AXXXAA
M8 - PTH094G35CXXXAA
M9 - PTH094G35DXXXAA
M10 - PTH094G35QRXXAA
M11 - PTH094G35QXXXAA
M12 - PTH094G35RXXXAA
M13 - PTH094G35VXXXAA
M14 - PTH094G50AXXXAA
M15 - PTH094G50CXXXAA
M16 - PTH094G50RXXXAA

Chassis Control Panel



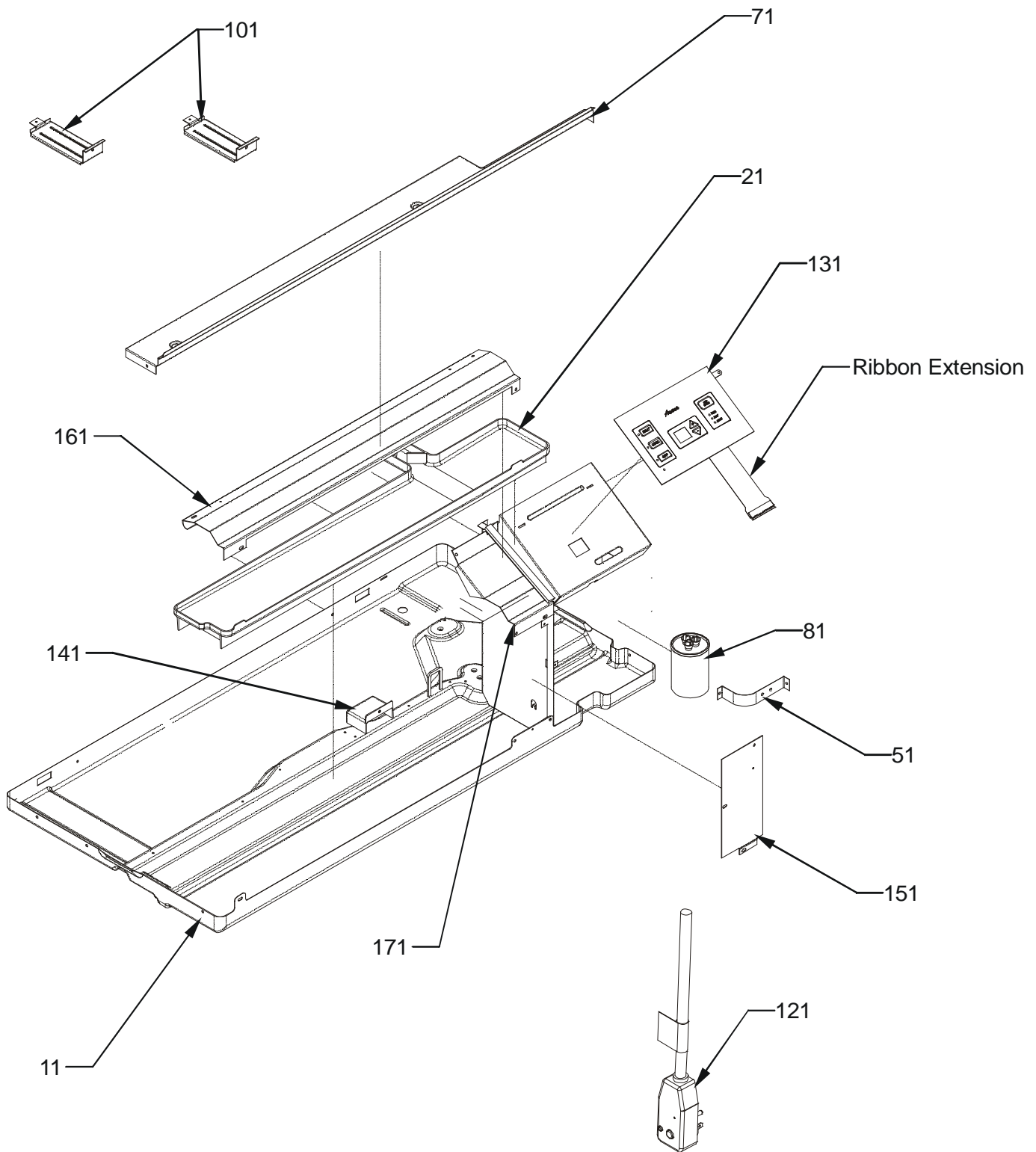
Chassis Control Panel

Ref. Part No:	Ref. Part No:	Description:	Description:
Image 1:			
11	0161P00026	SHROUD, CONDENSER	
21	0131P00034	FAN MOTOR, OUTDOOR	
31	0121P00093	PANEL-PARTITION (M5, M10, M11)	
31	0121P00108DG	PANEL-PARTITION PNT (M1, M2, M3, M4, M6, M7, M8, M9, M12, M13, M14, M15, M16)	
41	0161P00030	FAN, CONDENSER	
51	0163P00019	CABLE (M1, M2, M3, M6, M7, M8, M12, M14, M15, M16)	
61	0121P00079	BRACKET, VENT DOOR (M4, M9, M13)	
61	0121P00072DG	BRACKET, VENT DOOR-C (M1, M2, M3, M6, M7, M8, M12, M14, M15, M16)	
61	0121P00080	BRKT, POWER VENT (M4, M9, M13)	
61	11166101	POWER VENT MOTOR BRACKET (M4, M9, M13)	
71	11046105PDG	VENT DOOR (M1, M2, M3, M4, M6, M7, M8, M9, M12, M13, M14, M15, M16)	
81	11191703	PARTITION PANEL BRACKET (QTY 2)	
91	11046302	LEVER ARM (M1, M2, M3, M6, M7, M8, M12, M14, M15, M16)	
101	0130P00077	THERMISTOR - INDOOR (M4, M6, M10, M12, M16)	
191	0270P00997	POWER DOOR ASSY (M4, M9)	
NS	11166401	EXTENSION SPRING (M4, M9, M13)	
NS	0121P00091	PANEL-AUXILLIARY (M5, M10, M11)	
NS	11166201	POWER VENT COVER BRACKET (M4, M9, M13)	
NS	11172801	POWER VENT MOTOR (M4, M9, M13)	

Expanded Model Nomenclature

M1 - PTH094G15AXXXAA
M2 - PTH094G25AXXXAA
M3 - PTH094G25CXXXAA
M4 - PTH094G25DRXXAA
M5 - PTH094G25QXXXAA
M6 - PTH094G25RXXXAA
M7 - PTH094G35AXXXAA
M8 - PTH094G35CXXXAA
M9 - PTH094G35DXXXAA
M10 - PTH094G35QRXXAA
M11 - PTH094G35QXXXAA
M12 - PTH094G35RXXXAA
M13 - PTH094G35VXXXAA
M14 - PTH094G50AXXXAA
M15 - PTH094G50CXXXAA
M16 - PTH094G50RXXXAA

Partition Assy



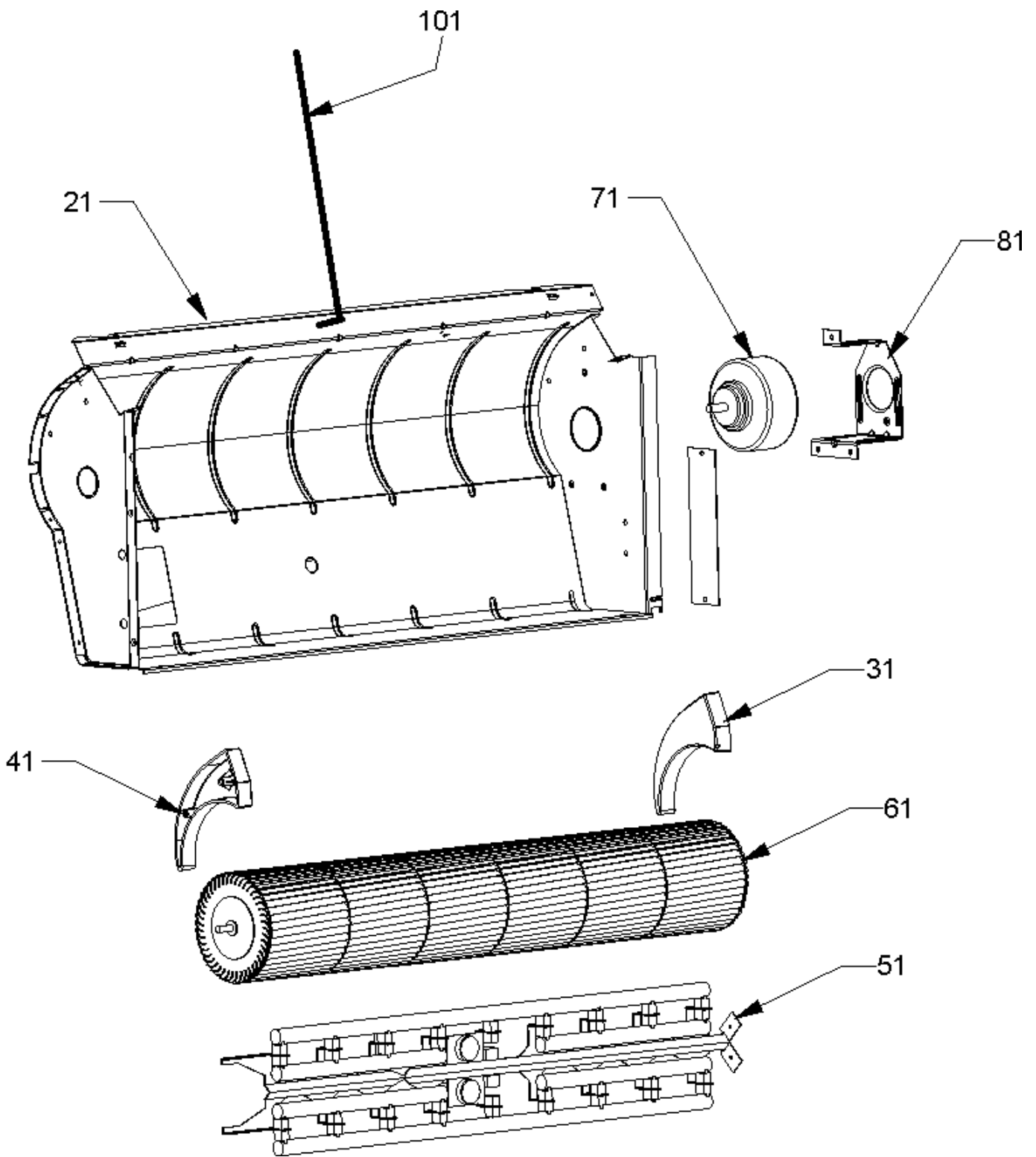
Partition Assy

Ref. Part No:	No:	Description:	Ref. Part No:	No:	Description:
<i>Image 1:</i>					
11	0121P00133DG	BASE PAN, PNT (M1, M2, M4, M5, M6, M7, M9, M10, M11, M12, M13, M14, M16)			
11	0121P00133BR	BASEPAN, PNT (M3, M8, M15)			
21	0161P00044	PLASTIC-DRAIN PAN			
51	C6300502	CAPACITOR STRAP			
71	0121P00063DG	TOP, PARTITION PANEL PNT			
81	CAP020250450CS	CAPACITOR 2/25/450V/DUAL RD			
101	0121P00071DG	BRACE, TIE PNT (QTY 2)			
121	11114701	CORD 277 VAC, 20A (M1, M2, M3, M4, M5, M6, M7, M8, M9, M10, M11, M12, M13)			
121	11114801	CORD 277 VAC, 30A (M14, M15, M16)			
131	RSKP0005	CONTROL PANEL COVER AND MEMBRANE			
141	0161P00016	PLASTIC-HOOD			
151	20410801	ACCESS COVER			
161	0121P00061DG	CUTOFF-SCROLL DG			
171	0121P00070DG	COVER, MOTOR PNT			
NS	20403301	MID PARTITION PANEL			
NS	20416201	SEAL-L SIDE PTC			
NS	20416101	SEAL-R SIDE PTC			

Expanded Model Nomenclature

- M1 - PTH094G15AXXXAA
- M2 - PTH094G25AXXXAA
- M3 - PTH094G25CXXXAA
- M4 - PTH094G25DRXXAA
- M5 - PTH094G25QXXXAA
- M6 - PTH094G25RXXXAA
- M7 - PTH094G35AXXXAA
- M8 - PTH094G35CXXXAA
- M9 - PTH094G35DXXXAA
- M10 - PTH094G35QRXXAA
- M11 - PTH094G35QXXXAA
- M12 - PTH094G35RXXXAA
- M13 - PTH094G35VXXXAA
- M14 - PTH094G50AXXXAA
- M15 - PTH094G50CXXXAA
- M16 - PTH094G50RXXXAA

Indoor Assy



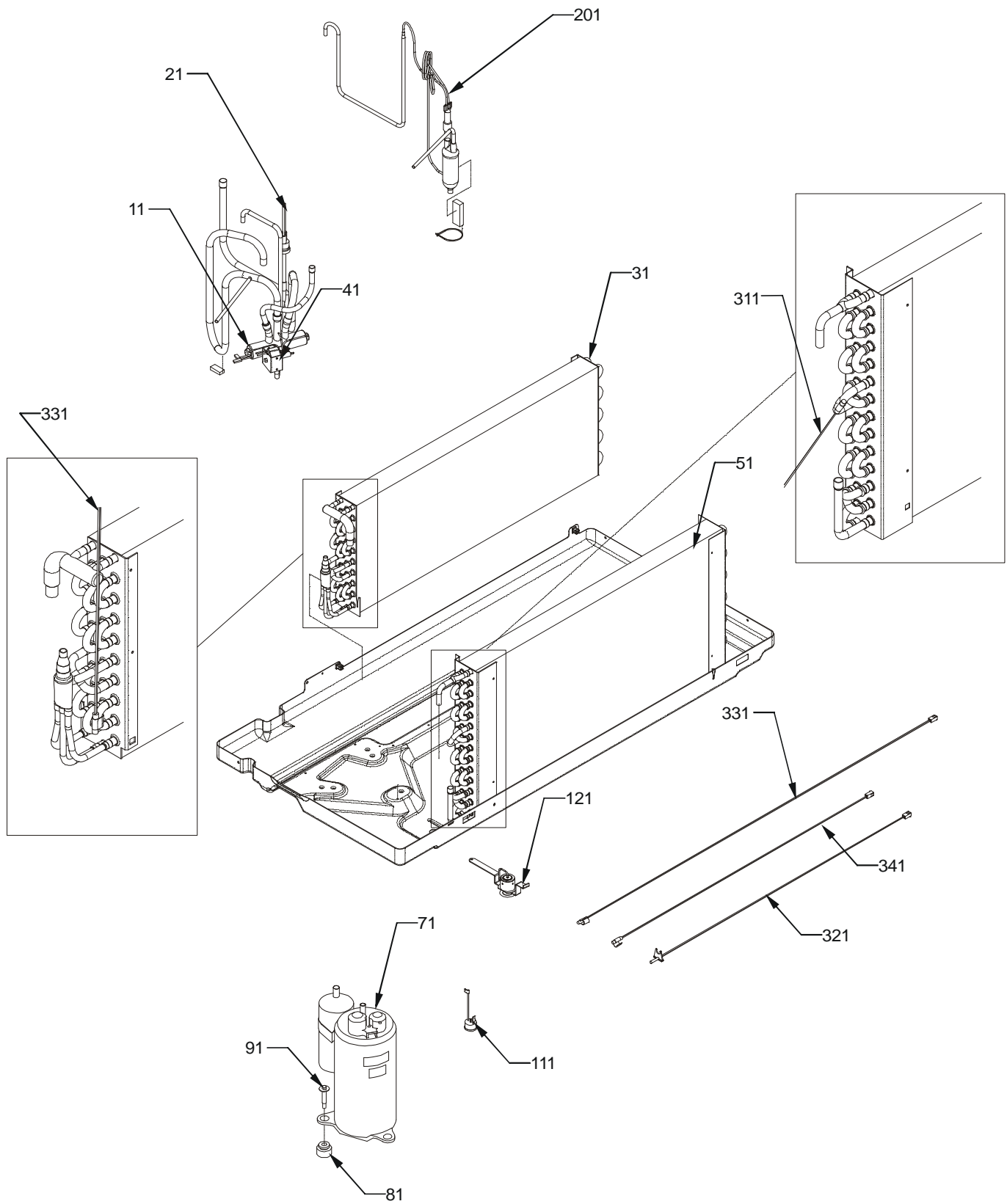
Indoor Assy

Ref. Part No:	No:	Description:	Ref. Part No:	No:	Description:
Image 1:					
21	0270P01070	SCROLL ASSY			
31	0161P00021	END CAP, RIGHT			
41	0161P00022	END CAP, LEFT			
51	0275P00023	HEATER ASSY (M2, M3, M4, M5, M6)			
51	0275P00026	HEATER ASSY (M1)			
51	0275P00040	HEATER ASSY (M7, M8, M9, M10, M11, M12, M13)			
51	0275P00041	HEATER ASSY (M14, M15, M16)			
61	0150P00004	WHEEL, BLOWER			
71	0131P00029	FAN MOTOR, INDOOR			
81	0121P00048	BRACKET-MOTOR MOUNT			
NS	0163P00027	BEARING			

Expanded Model Nomenclature

M1 - PTH094G15AXXXAA
M2 - PTH094G25AXXXAA
M3 - PTH094G25CXXXAA
M4 - PTH094G25DRXXAA
M5 - PTH094G25QXXXAA
M6 - PTH094G25RXXXAA
M7 - PTH094G35AXXXAA
M8 - PTH094G35CXXXAA
M9 - PTH094G35DXXXAA
M10 - PTH094G35QRXXAA
M11 - PTH094G35QXXXAA
M12 - PTH094G35RXXXAA
M13 - PTH094G35VXXXAA
M14 - PTH094G50AXXXAA
M15 - PTH094G50CXXXAA
M16 - PTH094G50RXXXAA

Tubing Assy



Tubing Assy

Ref. Part No: No:	Description:	Ref. Part No: No:	Description:
-------------------	--------------	-------------------	--------------

Image 1:

11	0151P00001	REVERSING VALVE ASSY-265V
21	0130M00132	HIGH PRESSURE SWITCH
31	0202P00065	EVAP ASSY, 5/16, 3 ROW
41	0130P00022	REVERSING VALVE COIL
51	0201P00079	CONDENSER ASSY (M1, M2, M4, M5, M6, M7, M9, M10, M11, M12, M13, M14, M16)
51	0201P00083	CONDENSER ASSY (M3, M8, M15)
51	0201P00083DG	CONDENSER ASSY PNT (M3, M8, M15)
71	44A207A	COMPRESSOR, RECHI
81	60130203	GROMMET - RECHI COMPRESSOR (QTY 3)
91	0163M00079	SCREW, SHOULDER (QTY 3)
101	0130P00075	THERMISTOR
111	60343516	OVERLOAD PROTECTOR
121	20406303	BASE PAN VALVE
201	0210P00124	CAPILLARY WELDMENT
311	0130P00098	THERMISTOR-OUTDOOR AMBIENT (M4, M6, M10, M12, M16)
321	0130P00086	THERMISTOR .312 CLIP, RED
331	0130P00093	THERMISTOR .375 CLIP, BLUE
341	0130P00074	THERMISTOR
NS	60500101	OLP SPRING - RECHI COMPRESSOR
NS	BT1392310	PLASTIC CLAMP, .1875 DIA (M4, M9, M13)
NS	60100314	TERMINAL COVER - RECHI COMP
NS	60100103	TERMINAL GASKET
NS	60100401	TERMINAL NUT - RECHI COMP
NS	60100201	WASHER - RECHI COMPRESSOR

Expanded Model Nomenclature

M1 - PTH094G15AXXXAA
M2 - PTH094G25AXXXAA
M3 - PTH094G25CXXXAA
M4 - PTH094G25DRXXAA
M5 - PTH094G25QXXXAA
M6 - PTH094G25RXXXAA
M7 - PTH094G35AXXXAA
M8 - PTH094G35CXXXAA
M9 - PTH094G35DXXXAA
M10 - PTH094G35QRXXAA
M11 - PTH094G35QXXXAA
M12 - PTH094G35RXXXAA
M13 - PTH094G35VXXXAA
M14 - PTH094G50AXXXAA
M15 - PTH094G50CXXXAA
M16 - PTH094G50RXXXAA