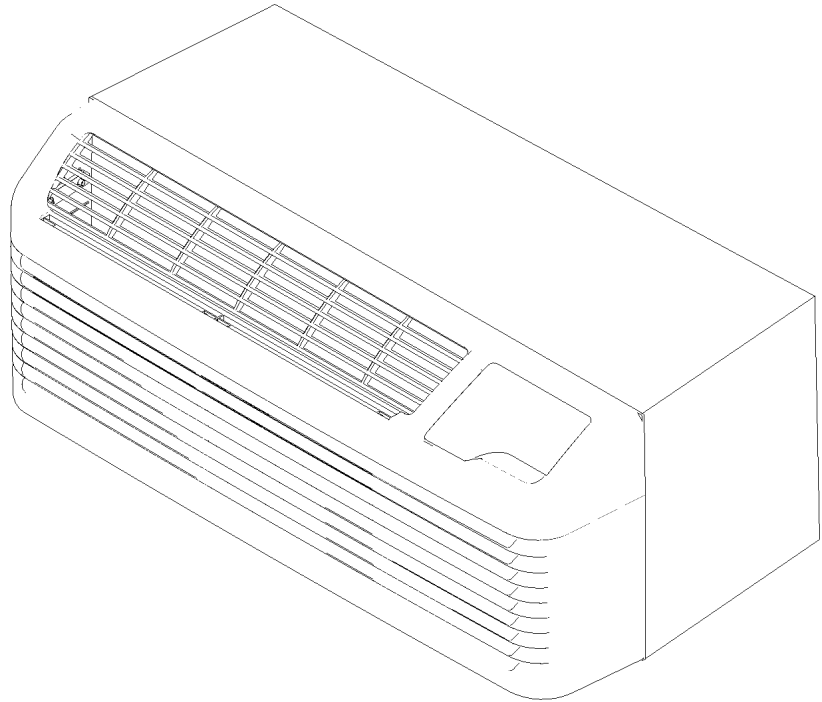


## PTC153G Package Terminal Air Conditioner

PTC153G00AXXXAA  
PTC153G00CXXXAA  
PTC153G00HRVXAA  
PTC153G00HRXXAA  
PTC153G00HVXXAA  
PTC153G00HXXXAA  
PTC153G00RXXXAA  
PTC153G25AXXXAA  
PTC153G25CXXXAA  
PTC153G25RXXXAA  
PTC153G35AXXXAA  
PTC153G35CQXXAA  
PTC153G35CXXXAA  
PTC153G35DXXXAA  
PTC153G35QRXXAA  
PTC153G35QXXXAA  
PTC153G35RVXXAA  
PTC153G35RXXXAA  
PTC153G35VXXXAA  
PTC153G50AXXXAA  
PTC153G50CXXXAA  
PTC153G50DXXXAA  
PTC153G50QXXXAA  
PTC153G50RVXXAA  
PTC153G50RXXXAA  
PTC153G50VXXXAA



Amana<sup>®</sup> is a registered trademark of Maytag Corporation or its related companies and is used under license to Goodman Company, L.P., Houston, TX, USA. All rights reserved.

This manual is to be used by qualified technicians only.

This manual replaces RP-696F.

© 2012-2014 Goodman Company, L.P. ♦ 5151 San Felipe St., Suite 500 ♦ Houston, TX 77056

# Important Information

---

## Index

Functional Parts List .....	3
Illustration and Parts .....	4 - 13

*Views shown are for parts illustrations only, not servicing procedures*

### Text Codes:

AR - As Required

NA - Not Available

NS - Not Shown

00000000 - See Note

QTY - Quantity Example (QTY 3) (If Quantity not shown, Quantity = 1)

M - Model Example (M1) (If M Code not shown, then part is used on all Models)

### Expanded Model Nomenclature:

Example M1 - Model#1 M2 - Model#2 M3 - Model#3
---

Goodman Company, L.P. is not responsible for personal injury or property damage resulting from improper service. Review all service information before beginning repairs.

Warranty service must be performed by an authorized technician, using authorized factory parts. If service is required after the warranty expires, Goodman Company, L.P. also recommends contacting an authorized technician and using authorized factory parts.

Goodman Company, L.P. reserves the right to discontinue, or change at any time, specifications or designs without notice or without incurring obligations.

For assistance within the U.S.A. contact:

Consumer Affairs Department

Goodman Company, L.P.

7401 Security Way

Houston, Texas 77040

877-254-4729-Telephone

713-863-2382-Facsimile

For assistance outside the U.S.A. contact:

International Division

Goodman Company, L.P.

7401 Security Way

Houston, Texas 77040

713-861-2500-Telephone

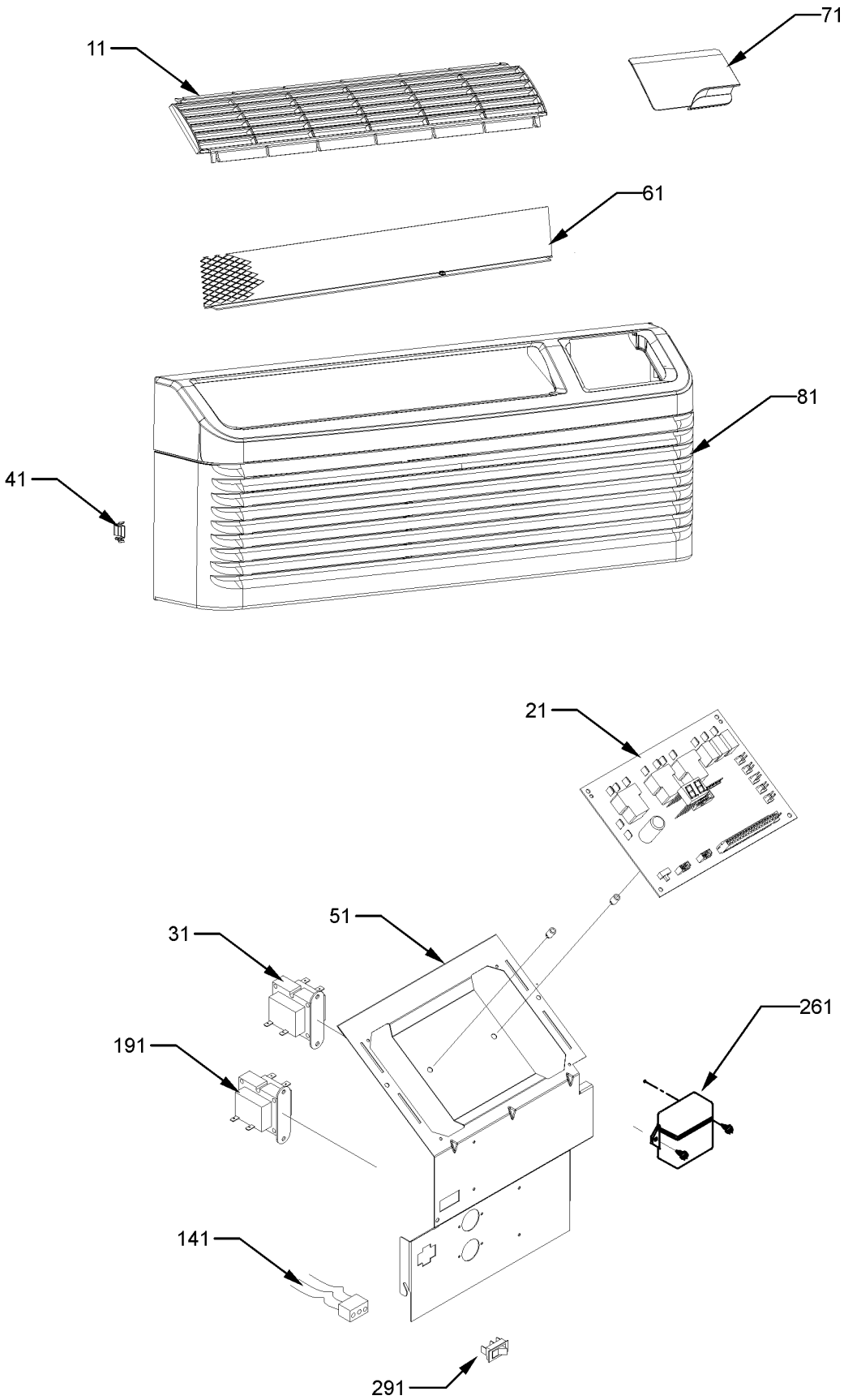
713-863-2382-Facsimile

# Functional Parts

**Part No:**            **Description:**

Part No:	Description:	Expanded Model Nomenclature
CAP050300450CS	CAP, 5/30 MFD/450V/DUAL RD	M1 - PTC153G00AXXXAA
CAP020000440RP	CAPACITOR 2/440V	M2 - PTC153G00CXXXAA
50A362Q	COMPRESSOR, RECHI	M3 - PTC153G00HRVXAA
RSKP0010	CONTROL BOARD M61	M4 - PTC153G00HRXXAA
RSKP0005	CONTROL PANEL COVER AND MEMBRANE	M5 - PTC153G00HVXXAA
0130P00059	CORD, 250VAC, 15A (LCD) (M1, M2, M3, M4, M5, M6, M7, M8, M9, M10)	M6 - PTC153G00HXXXAA
0130P00058	CORD, 250VAC, 20A (LCD) (M11, M12, M13, M14, M15, M16, M17, M18, M19)	M7 - PTC153G00RXXXAA
0130P00061	CORD, 250VAC, 30A (LCD) (M20, M21, M22, M23, M24, M25, M26)	M8 - PTC153G25AXXXAA
0130M00132	CUT-OUT SWITCH, HIGH PRESSURE	M9 - PTC153G25CXXXAA
0131P00025	FAN MOTOR OUTDOOR	M10 - PTC153G25RXXXAA
0131P00036	FAN MOTOR, INDOOR	M11 - PTC153G35AXXXAA
0161P00030	FAN, CONDENSER	M12 - PTC153G35CQXXAA
0275P00039	HEATER ASSY (M20, M21, M22, M23, M24, M25, M26)	M13 - PTC153G35CXXXAA
0275P00038	HEATER ASSY (M11, M12, M13, M14, M15, M16, M17, M18, M19)	M14 - PTC153G35DXXXAA
0275P00019	HEATER ASSY (M8, M9, M10)	M15 - PTC153G35QRXXAA
60343546	OVERLOAD PROTECTOR	M16 - PTC153G35QXXXAA
11172801	POWER VENT MOTOR (M3, M5, M14, M17, M19, M22, M24, M26)	M17 - PTC153G35RVXXAA
0130M00096	RELAY	M18 - PTC153G35RXXXAA
C8873917	RELAY (HYDRONIC) (M3, M4, M5, M6)	M19 - PTC153G35VXXXAA
C8873932	RELAY (POWER VENT) (M3, M5, M14, M17, M19, M22, M24, M26)	M20 - PTC153G50AXXXAA
0130P00094	THERMISTOR (M3, M4, M7, M10, M15, M17, M18, M24, M25)	M21 - PTC153G50CXXXAA
0130P00073	THERMISTOR	M22 - PTC153G50DXXXAA
0130P00075	THERMISTOR - DISCHARGE	M23 - PTC153G50QXXXAA
0130P00077	THERMISTOR - INDOOR (M3, M4, M7, M10, M15, M17, M18, M24, M25)	M24 - PTC153G50RVXXAA
0130P00084	THERMISTOR - INDOOR COIL	M25 - PTC153G50RXXXAA
0130P00098	THERMISTOR - OUTDOOR AMBIENT (M3, M4, M7, M10, M15, M17, M18, M24, M25)	M26 - PTC153G50VXXXAA
0130M00152	TRANSFORMER (M1, M2, M7, M8, M9, M10, M11, M12, M13, M14, M15, M16, M17, M18, M19, M20, M21, M22, M23, M24, M25, M26)	
0130M00149	TRANSFORMER 240V/208V TO 24V, 40VA (M3, M4, M5, M6, M14, M17, M19, M22, M24, M26)	
0150P00004	WHEEL, BLOWER	

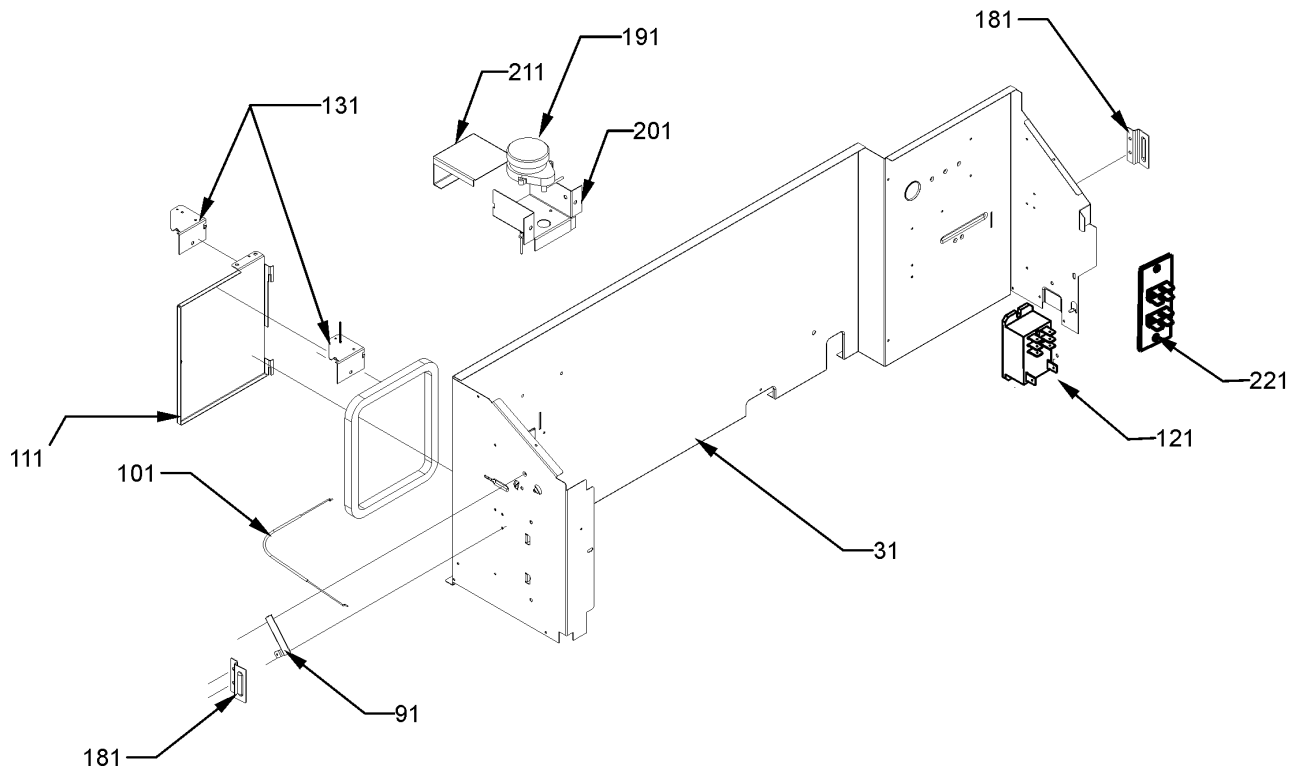
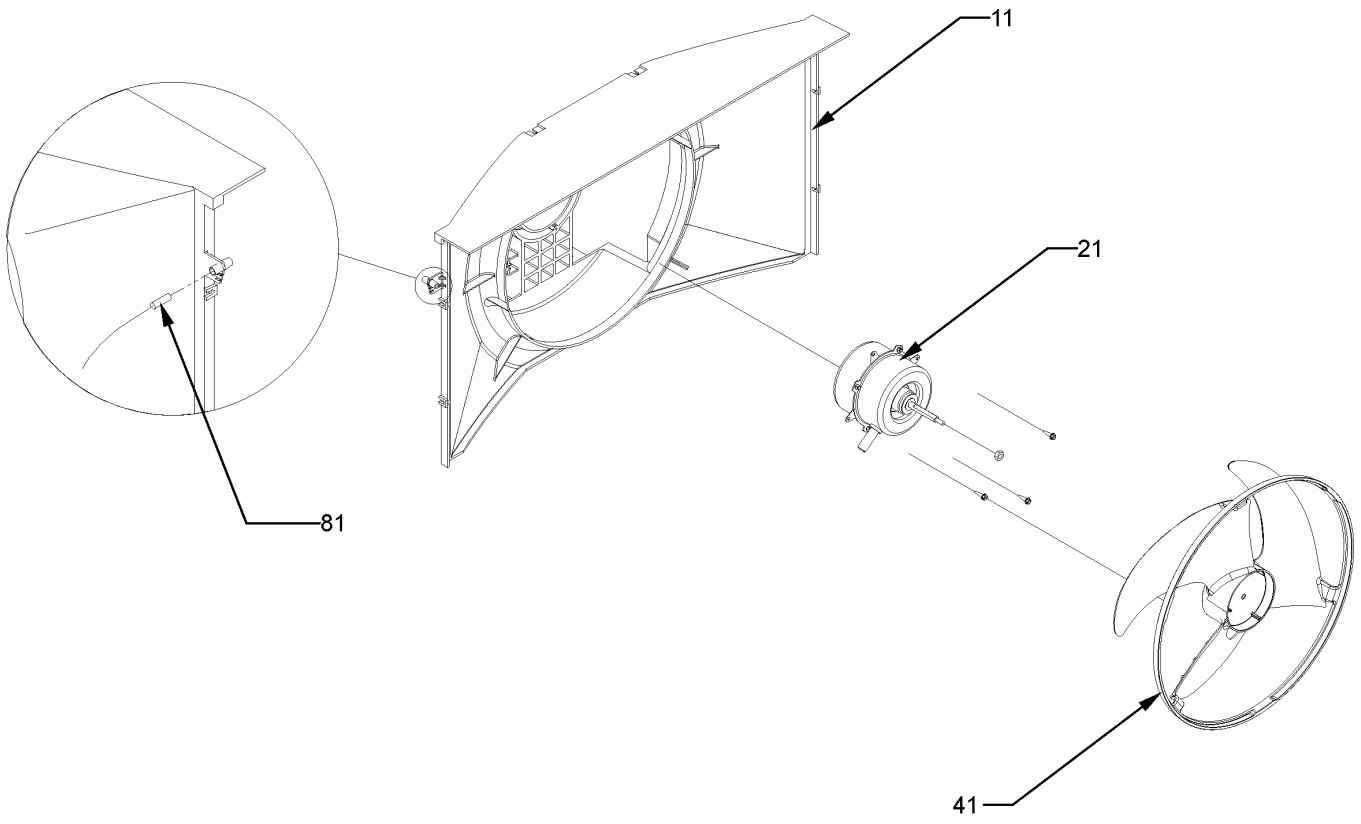
# Control Panel / Front Assembly



# Control Panel / Front Assembly

Ref. Part No: No:	Description:	Ref. Part No: No:	Description:
<i>Image 1:</i>		<b>Expanded Model Nomenclature</b>	
11	0161P00033 FRONT-DISCHARGE LOUVERS (M1, M2, M7, M8, M9, M10, M11, M12, M13, M14, M15, M16, M17, M18, M19, M20, M21, M22, M23, M24, M25, M26)	M1 - PTC153G00AXXXAA	
21	RSKP0010 CONTROL BOARD M61	M2 - PTC153G00CXXXAA	
31	0130M00152 TRANSFORMER (M1, M2, M7, M8, M9, M10, M11, M12, M13, M14, M15, M16, M17, M18, M19, M20, M21, M22, M23, M24, M25, M26)	M3 - PTC153G00HRVXXAA	
41	0163P00025 CLIP (M1, M2, M7, M8, M9, M10, M11, M12, M13, M14, M15, M16, M17, M18, M19, M20, M21, M22, M23, M24, M25, M26)	M4 - PTC153G00HRXXAA	
51	0121P00087 PANEL, CONTROL	M5 - PTC153G00HVXXAA	
61	0121P00073 SCREEN, DISCHARGE (M1, M2, M7, M8, M9, M10, M11, M12, M13, M14, M15, M16, M17, M18, M19, M20, M21, M22, M23, M24, M25, M26)	M6 - PTC153G00HXXXAA	
71	0261P00003 DOOR ASSY -AMANA- (M1, M2, M7, M8, M9, M10, M11, M12, M13, M14, M15, M16, M17, M18, M19, M20, M21, M22, M23, M24, M25, M26)	M7 - PTC153G00RXXAA	
81	0261P00011 FRONT ASSY (M1, M2, M7, M8, M9, M10, M11, M12, M13, M14, M15, M16, M17, M18, M19, M20, M21, M22, M23, M24, M25, M26)	M8 - PTC153G25AXXXAA	
141	0259P00009 HARNESS, HYDR HT PTC (M3, M4, M5, M6)	M9 - PTC153G25CXXXAA	
191	0130M00149 TRANSFORMER 240V/208V TO 24V, 40VA (M3, M4, M5, M6, M14, M17, M19, M22, M24, M26)	M10 - PTC153G25RXXAA	
261	0130P00104 ANTENNA (DIGITENNA) (M3, M4, M7, M10, M15, M17, M18, M24, M25)	M11 - PTC153G35AXXXAA	
291	B1337701 PADDLE SWITCH (M3, M5, M14, M17, M19, M22, M24, M26)	M12 - PTC153G35CQXXAA	
NS	0161P00035 FILTER, RACK (M1, M2, M7, M8, M9, M10, M11, M12, M13, M14, M15, M16, M17, M18, M19, M20, M21, M22, M23, M24, M25, M26)	M13 - PTC153G35CXXXAA	
		M14 - PTC153G35DXXXAA	
		M15 - PTC153G35QRXXAA	
		M16 - PTC153G35QXXXAA	
		M17 - PTC153G35RVXXAA	
		M18 - PTC153G35RXXAA	
		M19 - PTC153G35VXXAA	
		M20 - PTC153G50AXXXAA	
		M21 - PTC153G50CXXXAA	
		M22 - PTC153G50DXXXAA	
		M23 - PTC153G50QXXXAA	
		M24 - PTC153G50RVXXAA	
		M25 - PTC153G50RXXAA	
		M26 - PTC153G50VXXAA	

# Condenser Fan / Partition Assembly



# Condenser Fan / Partition Assembly

**Ref. Part  
No: No:**

**Description:**

**Ref. Part  
No: No:**

**Description:**

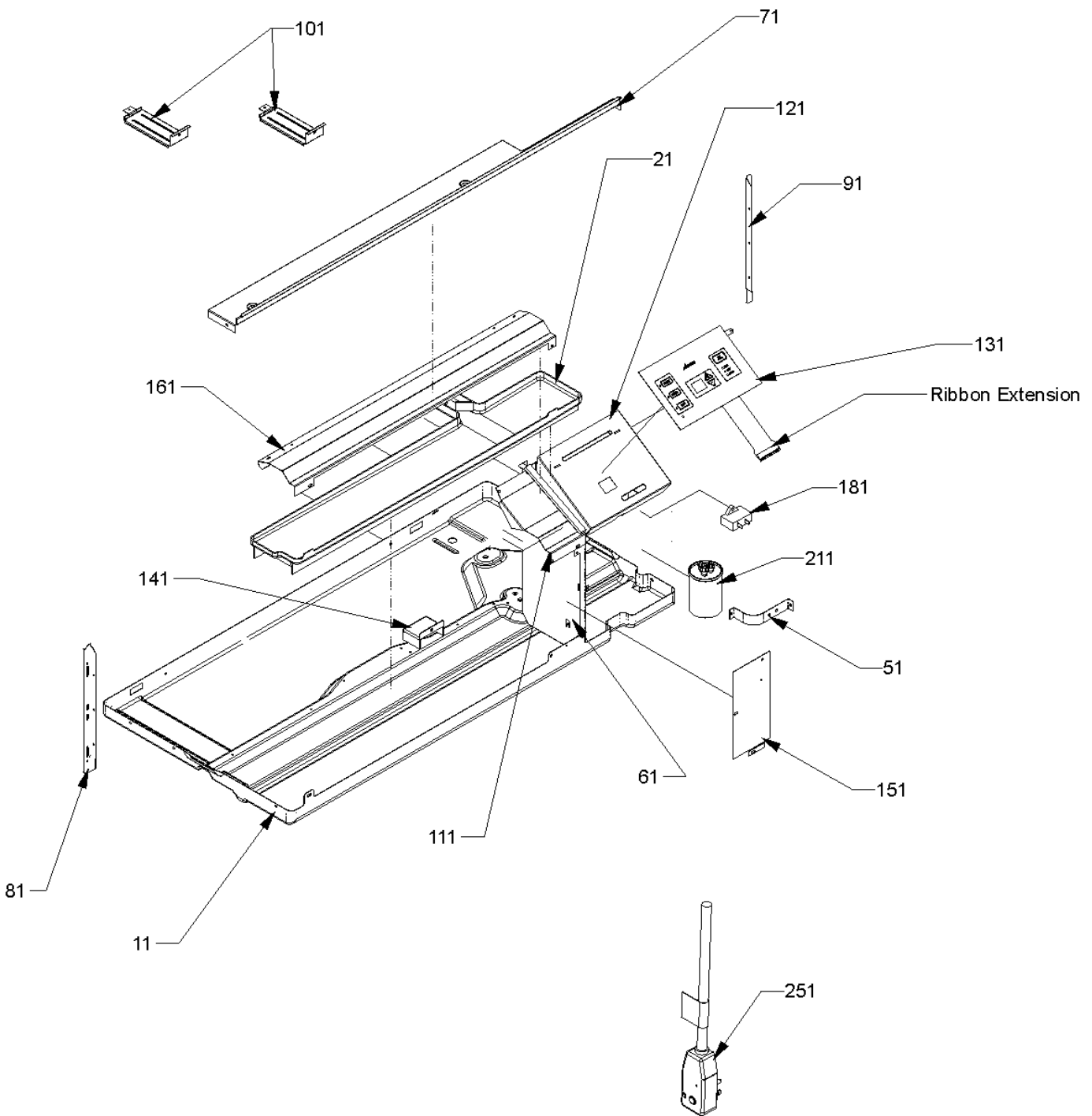
**Image 1:**

11	0161P00026	SHROUD, CONDENSER
21	0131P00025	FAN MOTOR OUTDOOR
31	0121P00108DG	PANEL-PARTITION PNT (M1, M2, M3, M4, M5, M6, M7, M8, M9, M10, M11, M12, M13, M14, M17, M18, M19, M20, M21, M22, M24, M25, M26)
41	0161P00030	FAN, CONDENSER
81	0130P00098	THERMISTOR - OUTDOOR AMBIENT (M3, M4, M7, M10, M15, M17, M18, M24, M25)
91	11046302	LEVER ARM (M1, M2, M4, M6, M7, M8, M9, M10, M11, M13, M18, M20, M21, M25)
101	0163P00019	CABLE
111	11046105PDG	VENT DOOR
121	0130M00096	RELAY
121	C8873917	RELAY (HYDRONIC) (M3, M4, M5, M6)
121	C8873932	RELAY (POWER VENT) (M3, M5, M14, M17, M19, M22, M24, M26)
131	0121P00079	BRACKET, VENT DOOR (M3, M5, M14, M17, M19, M22, M24, M26)
131	0121P00072DG	BRACKET, VENT DOOR-C (M1, M2, M4, M6, M7, M8, M9, M10, M11, M13, M18, M20, M21, M25)
181	11191703	PARTITION PANEL BRACKET (M1, M2, M7, M8, M9, M10, M11, M12, M13, M14, M15, M16, M17, M18, M19, M20, M21, M22, M23, M24, M25, M26)
191	11172801	POWER VENT MOTOR (M3, M5, M14, M17, M19, M22, M24, M26)
201	11166101	POWER VENT MOTOR BRACKET (M3, M5, M14, M17, M19, M22, M24, M26)
211	11166201	POWER VENT COVER BRACKET (M3, M5, M14, M17, M19, M22, M24, M26)
221	B1160701	TERMINAL BOARD (M3, M5, M14, M17, M19, M22, M24, M26)
NS	0121P00091DG	PANEL-AUXILLIARY (M12, M15, M16, M23)
NS	0121P00093DG	PANEL-PARTITION PNT (M12, M15, M16, M23)

**Expanded Model Nomenclature**

M1 - PTC153G00AXXXAA
M2 - PTC153G00CXXXAA
M3 - PTC153G00HRVXXAA
M4 - PTC153G00HRXXAA
M5 - PTC153G00HVXXAA
M6 - PTC153G00HXXXAA
M7 - PTC153G00RXXXAA
M8 - PTC153G25AXXXAA
M9 - PTC153G25CXXXAA
M10 - PTC153G25RXXXAA
M11 - PTC153G35AXXXAA
M12 - PTC153G35CQXXAA
M13 - PTC153G35CXXXAA
M14 - PTC153G35DXXXAA
M15 - PTC153G35QRXXAA
M16 - PTC153G35QXXXAA
M17 - PTC153G35RVXXAA
M18 - PTC153G35RXXXAA
M19 - PTC153G35VXXXAA
M20 - PTC153G50AXXXAA
M21 - PTC153G50CXXXAA
M22 - PTC153G50DXXXAA
M23 - PTC153G50QXXXAA
M24 - PTC153G50RVXXAA
M25 - PTC153G50RXXXAA
M26 - PTC153G50VXXXAA

# Partition Assembly

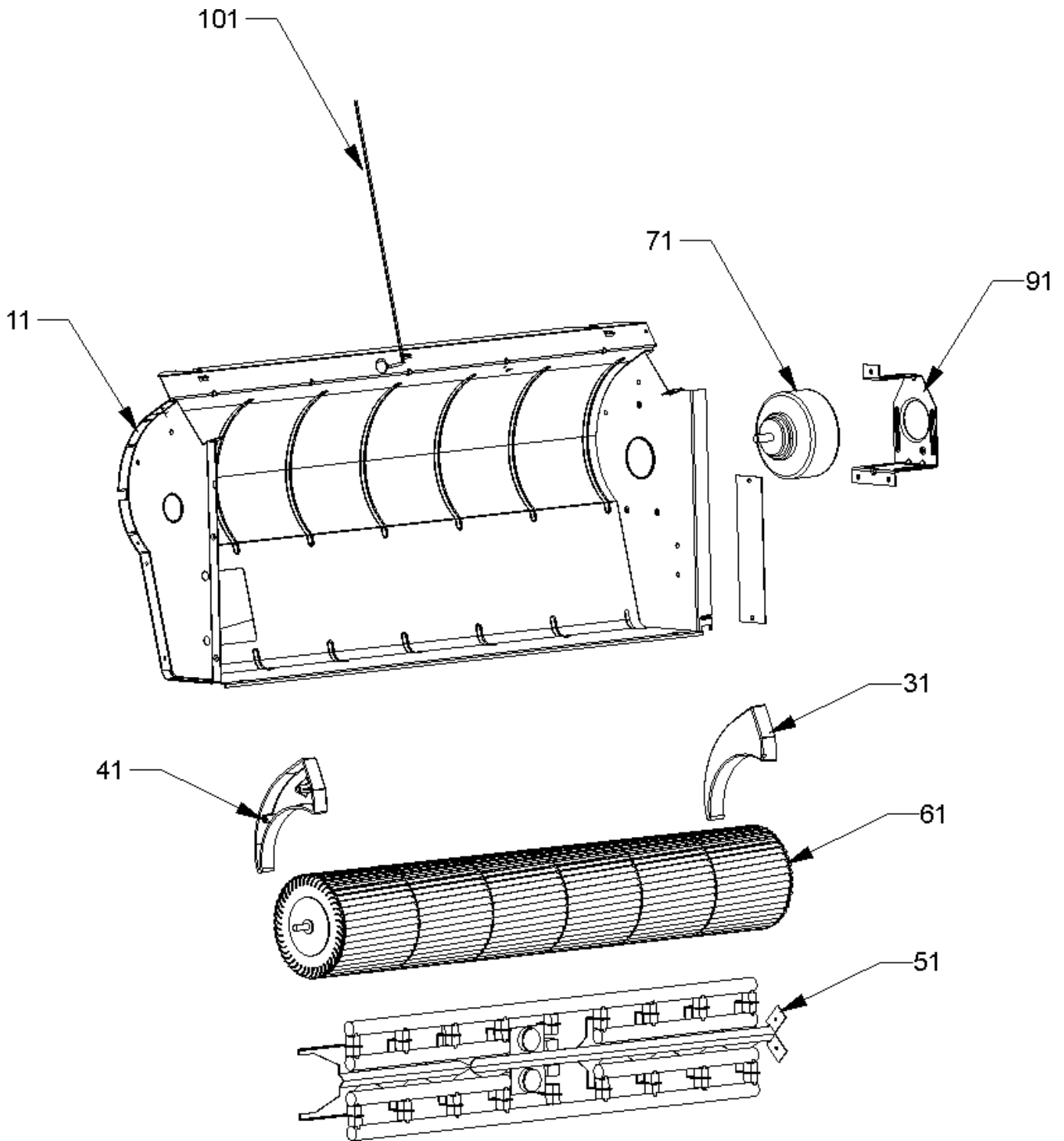




# Partition Assembly

Ref. Part No: No:	Description:	Ref. Part No: No:	Description:
<i>Image 1:</i>		<b>Expanded Model Nomenclature</b>	
11	0121P00133BR	BASEPAN (M2, M9, M12, M13, M21)	M1 - PTC153G00AXXXAA
11	0121P00133DG	BASEPAN (M1, M3, M4, M5, M6, M7, M8, M10, M11, M14, M15, M16, M17, M18, M19, M20, M22, M23, M24, M25, M26)	M2 - PTC153G00CXXXAA
21	0161P00044	PLASTIC-DRAIN PAN	M3 - PTC153G00HRVXAA
51	C6300502	CAPACITOR STRAP	M4 - PTC153G00HRXXAA
61	20403301	MID PARTITION PANEL	M5 - PTC153G00HVXXAA
71	0121P00063DG	TOP, PARTITION PANEL	M6 - PTC153G00HXXXAA
81	20416201	SEAL-L SIDE PTC	M7 - PTC153G00RXXXAA
91	20416101	SEAL-R SIDE PTC	M8 - PTC153G25AXXXAA
101	0121P00071DG	BRACE, TIE (QTY 2)	M9 - PTC153G25CXXXAA
111	0121P00070DG	COVER, MOTOR	M10 - PTC153G25RXXXAA
121	0121P00129	CONTROL PANEL COVER	M11 - PTC153G35AXXXAA
131	RSKP0005	CONTROL PANEL COVER AND MEMBRANE	M12 - PTC153G35CQXXAA
141	0161P00016	PLASTIC-HOOD	M13 - PTC153G35CXXXAA
151	20410801	ACCESS COVER	M14 - PTC153G35DXXXAA
161	0121P00061DG	CUTOFF-SCROLL DG	M15 - PTC153G35QRXXAA
181	CAP050300450CS	CAP, 5/30 MFD/450V/DUAL RD	M16 - PTC153G35QXXXAA
211	CAP020000440RP	CAPACITOR 2/440V	M17 - PTC153G35RVXXAA
251	0130P00059	CORD, 250VAC, 15A (LCD) (M1, M2, M3, M4, M5, M6, M7, M8, M9, M10)	M18 - PTC153G35RXXXAA
251	0130P00058	CORD, 250VAC, 20A (LCD) (M11, M12, M13, M14, M15, M16, M17, M18, M19)	M19 - PTC153G35VXXXAA
251	0130P00061	CORD, 250VAC, 30A (LCD) (M20, M21, M22, M23, M24, M25, M26)	M20 - PTC153G50AXXXAA
			M21 - PTC153G50CXXXAA
			M22 - PTC153G50DXXXAA
			M23 - PTC153G50QXXXAA
			M24 - PTC153G50RVXXAA
			M25 - PTC153G50RXXXAA
			M26 - PTC153G50VXXXAA

# Evaporator Blower / Heater Assembly



# Evaporator Blower / Heater Assembly

Ref. Part No: No:	Description:	Ref. Part No: No:	Description:
-------------------	--------------	-------------------	--------------

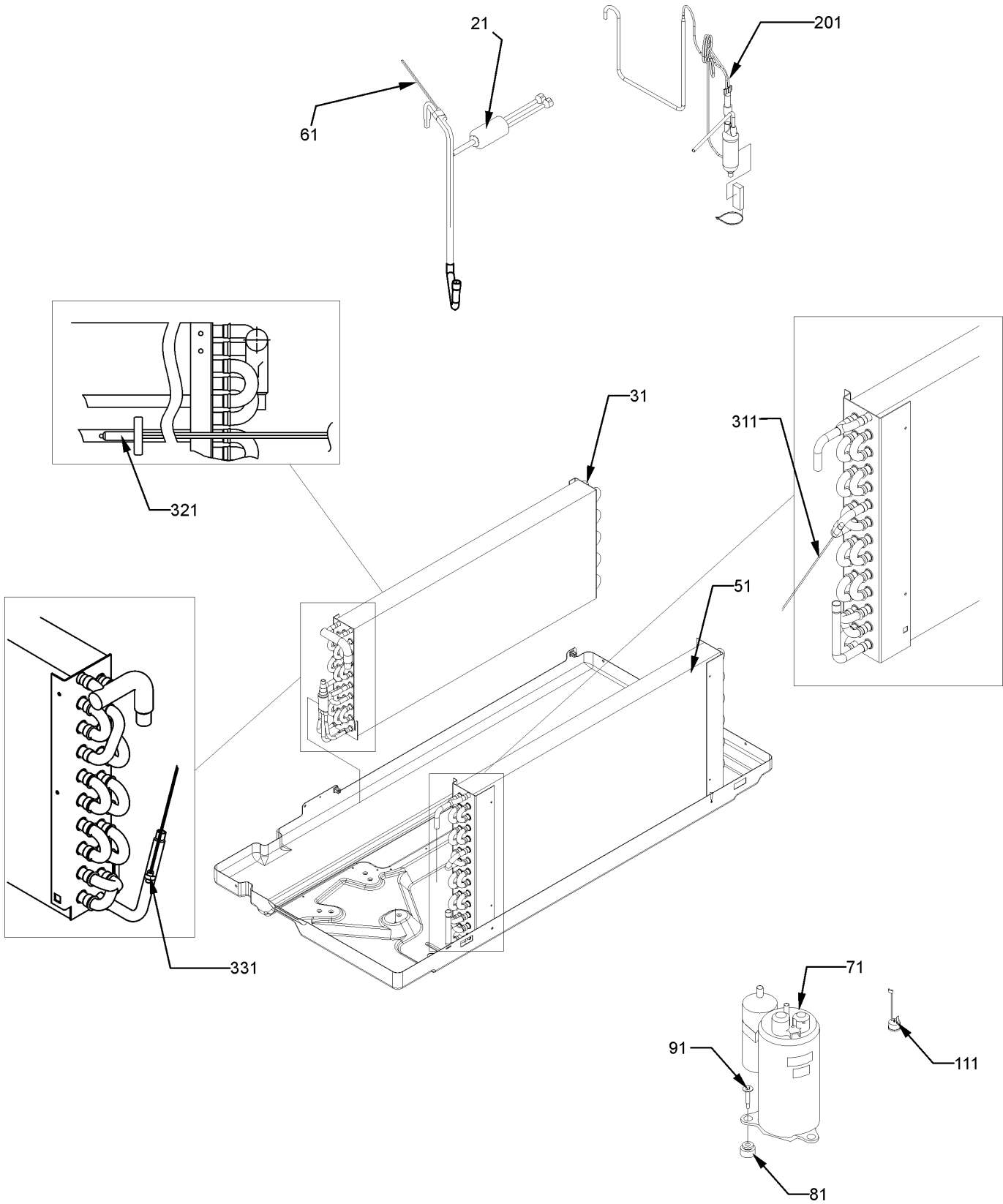
**Image 1:**

11	0270P01070	SCROLL ASSY
31	0161P00021	END CAP, RIGHT
41	0161P00022	END CAP, LEFT
51	0275P00019	HEATER ASSY (M8, M9, M10)
51	0275P00038	HEATER ASSY (M11, M12, M13, M14, M15, M16, M17, M18, M19)
51	0275P00039	HEATER ASSY (M20, M21, M22, M23, M24, M25, M26)
61	0150P00004	WHEEL, BLOWER
71	0131P00036	FAN MOTOR, INDOOR
91	0121P00048	BRACKET-MOTOR MOUNT
101	0130P00075	THERMISTOR - DISCHARGE
NS	0163P00027	BEARING

**Expanded Model Nomenclature**

- M1 - PTC153G00AXXXAA
- M2 - PTC153G00CXXXAA
- M3 - PTC153G00HRVXXAA
- M4 - PTC153G00HRXXAA
- M5 - PTC153G00HVXXAA
- M6 - PTC153G00HXXXAA
- M7 - PTC153G00RXXXAA
- M8 - PTC153G25AXXXAA
- M9 - PTC153G25CXXXAA
- M10 - PTC153G25RXXXAA
- M11 - PTC153G35AXXXAA
- M12 - PTC153G35CQXXAA
- M13 - PTC153G35CXXXAA
- M14 - PTC153G35DXXXAA
- M15 - PTC153G35QRXXAA
- M16 - PTC153G35QXXXAA
- M17 - PTC153G35RVXXAA
- M18 - PTC153G35RXXXAA
- M19 - PTC153G35VXXXAA
- M20 - PTC153G50AXXXAA
- M21 - PTC153G50CXXXAA
- M22 - PTC153G50DXXXAA
- M23 - PTC153G50QXXXAA
- M24 - PTC153G50RVXXAA
- M25 - PTC153G50RXXXAA
- M26 - PTC153G50VXXXAA

# Coil / Compressor / Tubing Assembly



# Coil / Compressor / Tubing Assembly

Ref. Part No: No:	Description:	Ref. Part No: No:	Description:
-------------------	--------------	-------------------	--------------

**Image 1:**

21	0130M00132	CUT-OUT SWITCH, HIGH PRESSURE
31	0202P00067	EVAP ASSY, 3/8, 2 ROW
51	0202P00072DG	CONDENSER ASSY PNT (M2, M9, M12, M13, M21)
61	0130P00077	THERMISTOR - INDOOR (M3, M4, M7, M10, M15, M17, M18, M24, M25)
71	50A362Q	COMPRESSOR, RECHI
81	60140209	GROMMET - RECHI COMPRESSOR (QTY 3)
91	M0253610	SHOULDER SCREW (QTY 3)
111	60343546	OVERLOAD PROTECTOR
201	0210P00203	CAPILLARY WELDMENT
311	0130P00094	THERMISTOR (M3, M4, M7, M10, M15, M17, M18, M24, M25)
321	0130P00073	THERMISTOR
331	0130P00084	THERMISTOR - INDOOR COIL
NS	60500101	OLP SPRING - RECHI COMPRESSOR
NS	60100314	TERMINAL COVER - RECHI COMP
NS	60100103	TERMINAL GASKET
NS	60100401	TERMINAL NUT - RECHI COMP
NS	60100201	WASHER - RECHI COMPRESSOR

**Expanded Model Nomenclature**

M1 - PTC153G00AXXXAA
M2 - PTC153G00CXXXAA
M3 - PTC153G00HRVXXAA
M4 - PTC153G00HRXXAA
M5 - PTC153G00HVXXAA
M6 - PTC153G00HXXXAA
M7 - PTC153G00RXXXAA
M8 - PTC153G25AXXXAA
M9 - PTC153G25CXXXAA
M10 - PTC153G25RXXXAA
M11 - PTC153G35AXXXAA
M12 - PTC153G35CQXXAA
M13 - PTC153G35CXXXAA
M14 - PTC153G35DXXXAA
M15 - PTC153G35QRXXAA
M16 - PTC153G35QXXXAA
M17 - PTC153G35RVXXAA
M18 - PTC153G35RXXXAA
M19 - PTC153G35VXXXAA
M20 - PTC153G50AXXXAA
M21 - PTC153G50CXXXAA
M22 - PTC153G50DXXXAA
M23 - PTC153G50QXXXAA
M24 - PTC153G50RVXXAA
M25 - PTC153G50RXXXAA
M26 - PTC153G50VXXXAA