

AVZC20 Inverter Heat Pump

AVZC200241AA
AVZC200241AB
AVZC200241AC
AVZC200361AA
AVZC200361AB
AVZC200361AC
AVZC200481AA
AVZC200481AB
AVZC200481AC
AVZC200601AA
AVZC200601AB
AVZC200601AC



Amana® is a registered trademark of Maytag Corporation or its related companies and is used under license. All rights reserved.

This manual is to be used by qualified technicians only.

This manual replaces RP-A4034B.

© 2015 - 2016 Goodman Manufacturing Company, L.P. ♦ 5151 San Felipe St, Suite 500 ♦ Houston, TX 77056

Important Information

Index

Functional Parts List	3
Illustration and Parts	4 - 13

Views shown are for parts illustrations only, not servicing procedures

Text Codes:

AR - As Required

NA - Not Available

NS - Not Shown

00000000 - See Note

QTY - Quantity Example (QTY 3) (If Quantity not shown, Quantity = 1)

M - Model Example (M1) (If M Code not shown, then part is used on all Models)

Expanded Model Nomenclature:

Example M1 - Model#1 M2 - Model#2 M3 - Model#3

Goodman Manufacturing Company, L.P. is not responsible for personal injury or property damage resulting from improper service. Review all service information before beginning repairs.

Warranty service must be performed by an authorized technician, using authorized factory parts. If service is required after the warranty expires, Goodman Manufacturing Company, L.P. also recommends contacting an authorized technician and using authorized factory parts.

Goodman Manufacturing Company, L.P. reserves the right to discontinue, or change at any time, specifications or designs without notice or without incurring obligations.

For assistance within the U.S.A. contact:
Homeowner Support
Goodman Manufacturing Company, L.P.
19001 Kermier Road
Waller, Texas 77484
877-254-4729-Telephone
713-863-2382-Facsimile

For assistance outside the U.S.A. contact:
International Division
Goodman Manufacturing Company, L.P.
19001 Kermier Road
Waller, Texas 77484
713-861-2500-Telephone
713-863-2382-Facsimile

Functional Parts

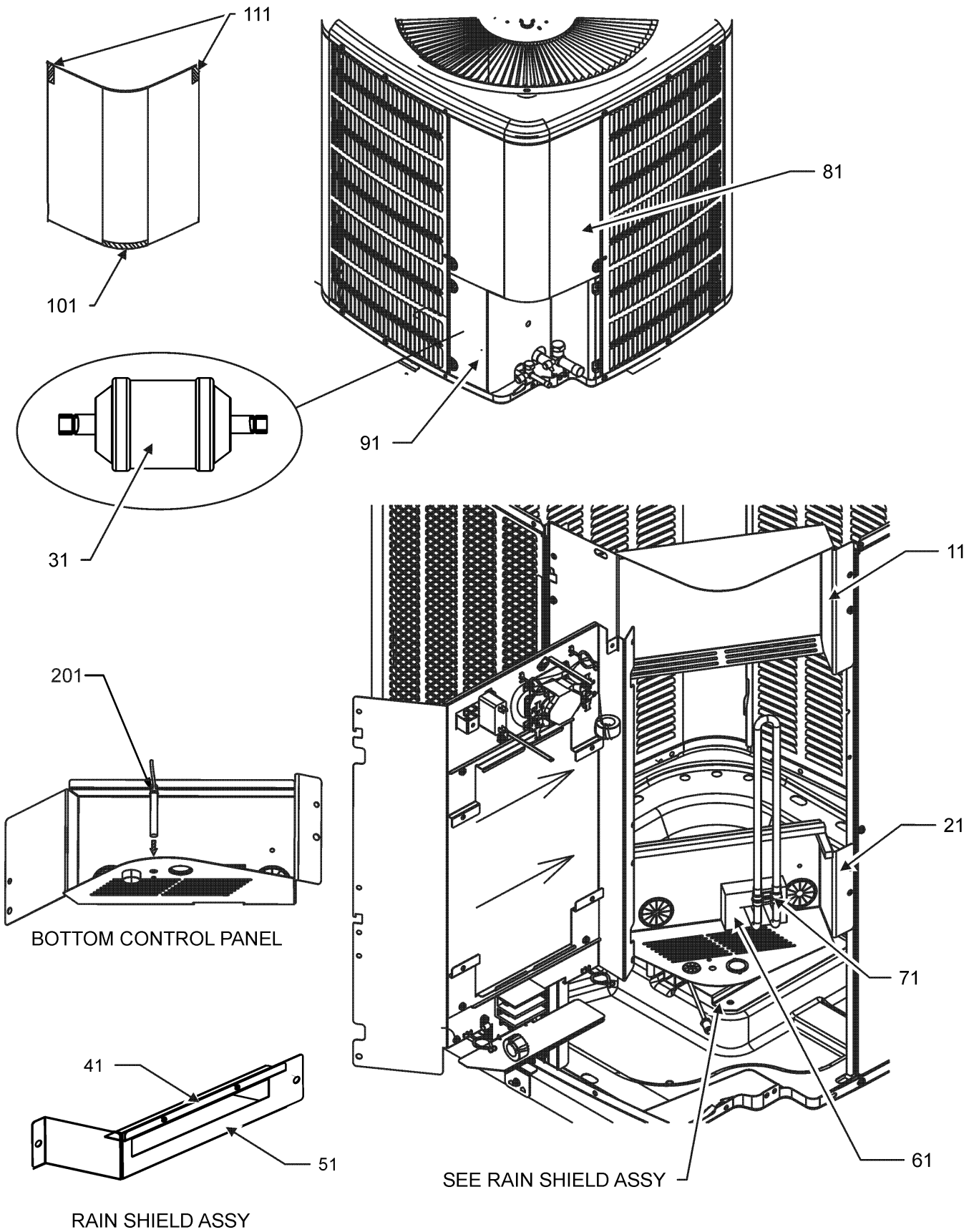
Part No: **Description:**

Part No:	Description:	Expanded Model Nomenclature
0151R00097	3/4" BALL VALVE (M1, M2, M3)	M1 - AVZC200241AA
0151R00078	3/8" SERVICE VALVE (M10, M11, M12)	M2 - AVZC200241AB
0151R00081	7/8" BALL VALVE (M4, M5, M6, M7, M8, M9, M10, M11, M12)	M3 - AVZC200241AC
0151L00020	ACCUMULATOR (M4, M5, M6, M7, M8, M9)	M4 - AVZC200361AA
0151L00021	ACCUMULATOR (M10, M11, M12)	M5 - AVZC200361AB
0151L00019	ACCUMULATOR (M1, M2, M3)	M6 - AVZC200361AC
3E600193-1	CAPACITOR (M10, M11, M12)	M7 - AVZC200481AA
4SA27011-1	CHECK VALVE (M4, M5, M6, M7, M8, M9)	M8 - AVZC200481AB
4SA27006-1	CHECK VALVE	M9 - AVZC200481AC
3SA27018-1	CHECK VALVE (M1, M2, M3)	M10 - AVZC200601AA
0156R00006	COMPRESSOR 2YC36MXD (M1, M2, M3)	M11 - AVZC200601AB
0156R00008	COMPRESSOR 2YC90FXD (M4, M5, M6, M7, M8, M9)	M12 - AVZC200601AC
0156R00005	COMPRESSOR JT100GCVDW@SB (M10, M11, M12)	
3P130357-15	CRANKCASE HEATER (M10, M11, M12)	
3EA74081-1	CURRENT SENSOR, CHR-6Z-E-X (M10, M11, M12)	
3P356931-1	FAN MOTOR	
3P381424-2	HIGH PRESSURE SWITCH	
3P357336-4	INVERTER PCB 2 TON (M1, M2, M3)	
3P357343-4	INVERTER PCB 4 TON (M4, M5, M6, M7, M8, M9)	
2P361563-3	INVERTER PCB 5 TON (M10, M11, M12)	
2P346080-1	NF PCB (M4, M5, M6, M7, M8, M9, M10, M11, M12)	
R3269031-3	OIL RETURN FILTER (M1, M2, M3, M4, M5, M6, M7, M8, M9)	
3P357142-1	OIL SEPARATOR	
2P361564-1	PCB, FAN DRIVE, INVERTER (M10, M11, M12)	
3P362914-1	POWER CONDITIONER (M10, M11, M12)	
3E750074-1	POWER CONDITIONER (M1, M2, M3)	
3S481010-1	PRESSURE SENSOR	
3S500031-1	Pulse Motor Expans EEV (M4, M5, M6, M7, M8, M9, M10, M11, M12)	
3S500032-1	Pulse Motor Expans EEV (M1, M2, M3)	
0151R00099	REVERSING VALVE (M1, M2, M3)	
0151R00101	REVERSING VALVE (M4, M5, M6, M7, M8, M9, M10, M11, M12)	
0130M00186	TERMINAL BLOCK	
3P381576-1	THERMISTOR AMBIENT	
3P381575-1	THERMISTOR ASSY	
0130M00187	TRANSFORMER	

SPECIAL PARTS

0161R00008P	AMANA LOGO CAP
0161R00010P	AMANA NAMEPLATE
117269J	THERMAL GREASE

Control Assy



Control Assy

Ref. Part No: No:	Description:	Ref. Part No: No:	Description:
-------------------	--------------	-------------------	--------------

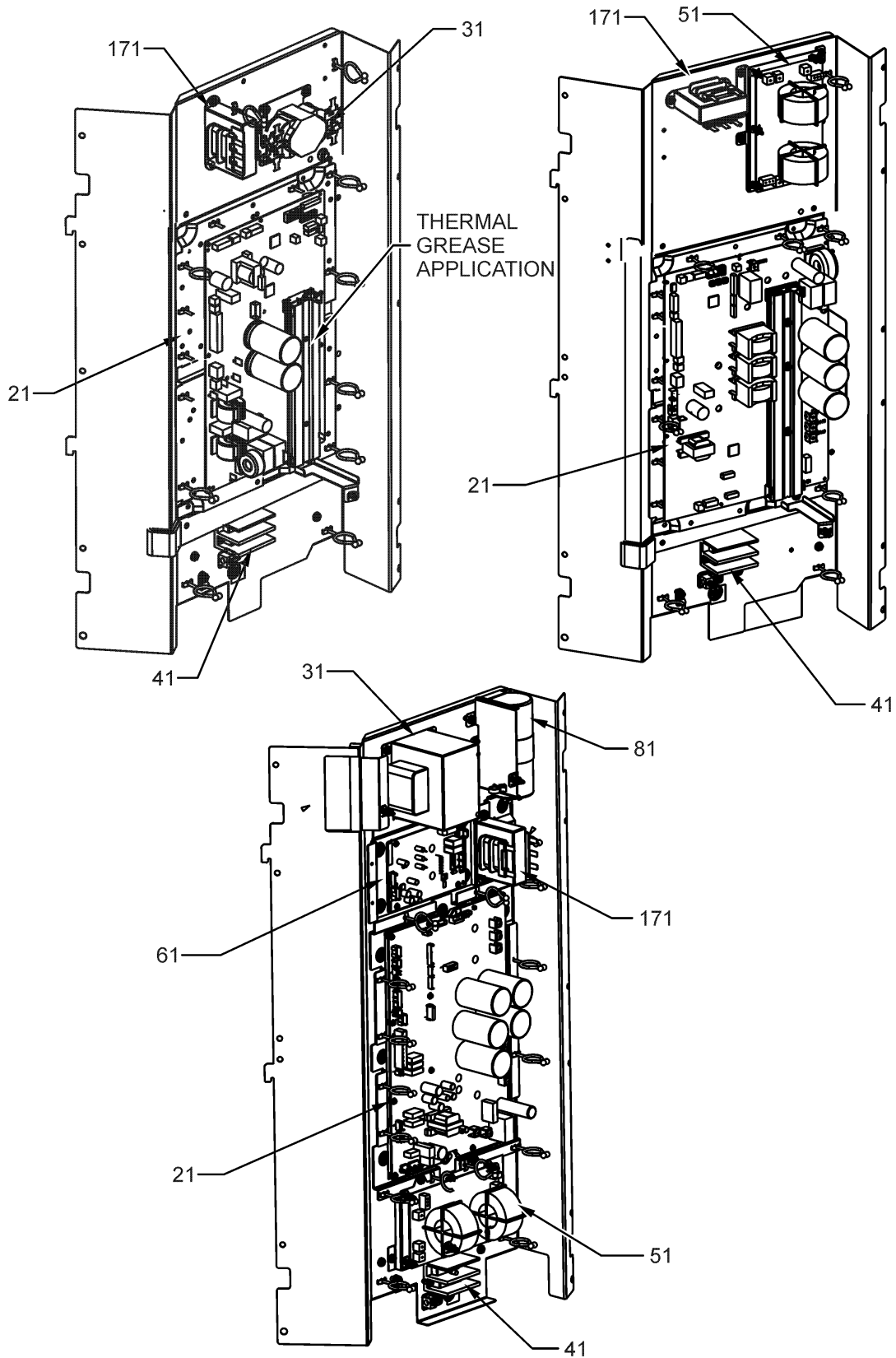
Image 1:

11	0121R00519PDG	TOP CONTROL PANEL (M10, M11, M12)
11	0272R01007PDG	TOP CONTROL PANEL ASSY (M1, M2, M3, M4, M5, M6, M7, M8, M9)
21	0121R00521PDG	CONTROL PANEL, BOTTOM
31	20485201	BI-FLOW FILTER DRIER
41	0121R00562	RAIN SHIELD COVER
51	0121R00563	Rain shield bracket
61	0154R00016	GASKET - CONTROL PANEL
71	4P305027-1	COOLING LOOP SEPARATOR (M1, M2, M3, M4, M5, M6, M7, M8, M9)
81	0121R00380PDG	CONTROL COVER (M1, M2, M3)
81	0121R00517PDG	CONTROL COVER (M4, M5, M6, M7, M8, M9, M10, M11, M12)
91	0121R00379PDG	PANEL, LOWER ACCESS
101	0154R00023	GASKET, CONTROL PANEL COVER
111	0154R00017	GASKET - CONTROL PANEL (QTY 2)
201	3P381576-1	THERMISTOR AMBIENT
NS	0161R00008P	AMANA LOGO CAP
NS	0161R00010P	AMANA NAMEPLATE
NS	0154R00015	GASKET - TOP CONTROL PANEL (QTY 2)

Expanded Model Nomenclature

M1 - AVZC200241AA
M2 - AVZC200241AB
M3 - AVZC200241AC
M4 - AVZC200361AA
M5 - AVZC200361AB
M6 - AVZC200361AC
M7 - AVZC200481AA
M8 - AVZC200481AB
M9 - AVZC200481AC
M10 - AVZC200601AA
M11 - AVZC200601AB
M12 - AVZC200601AC

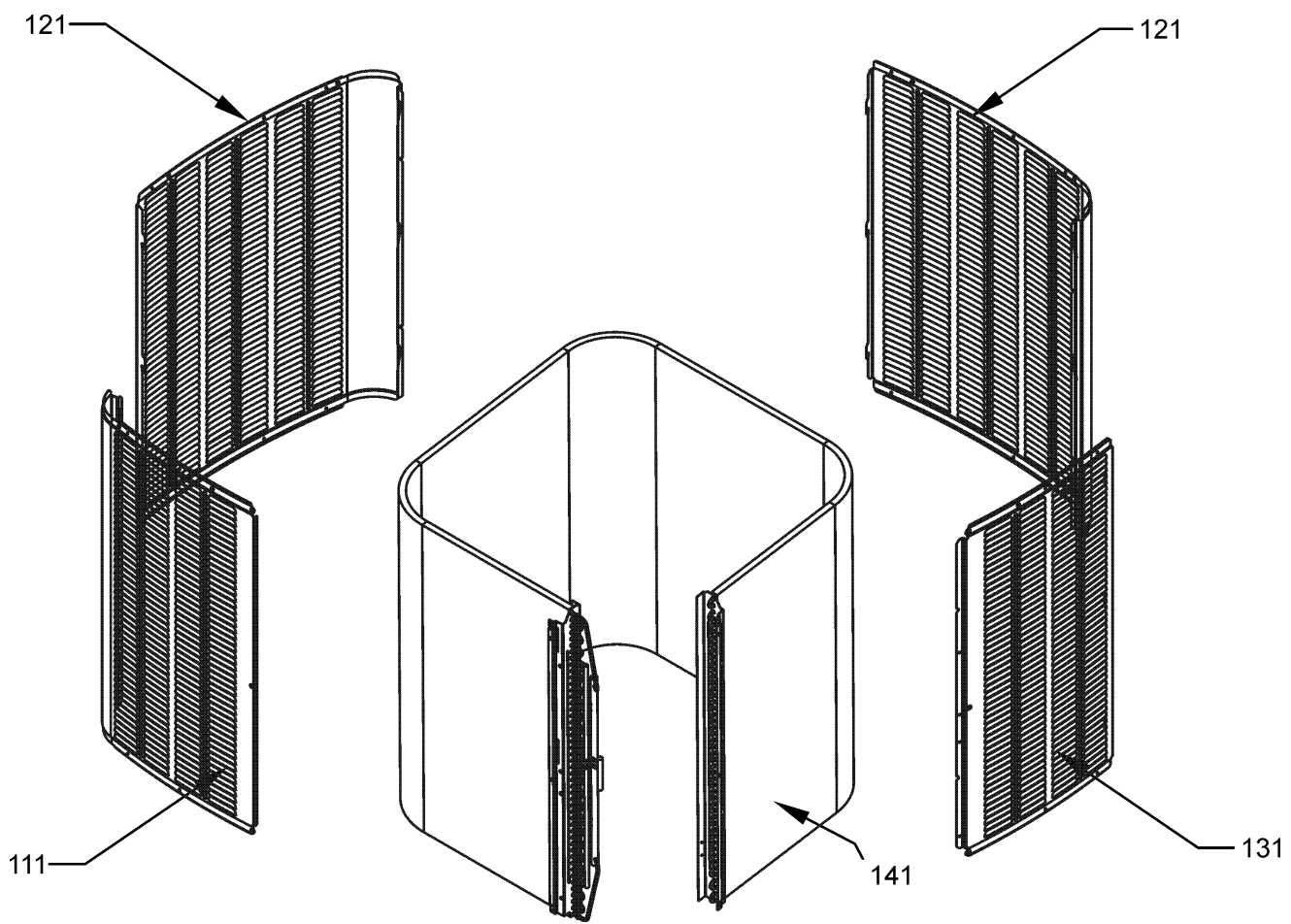
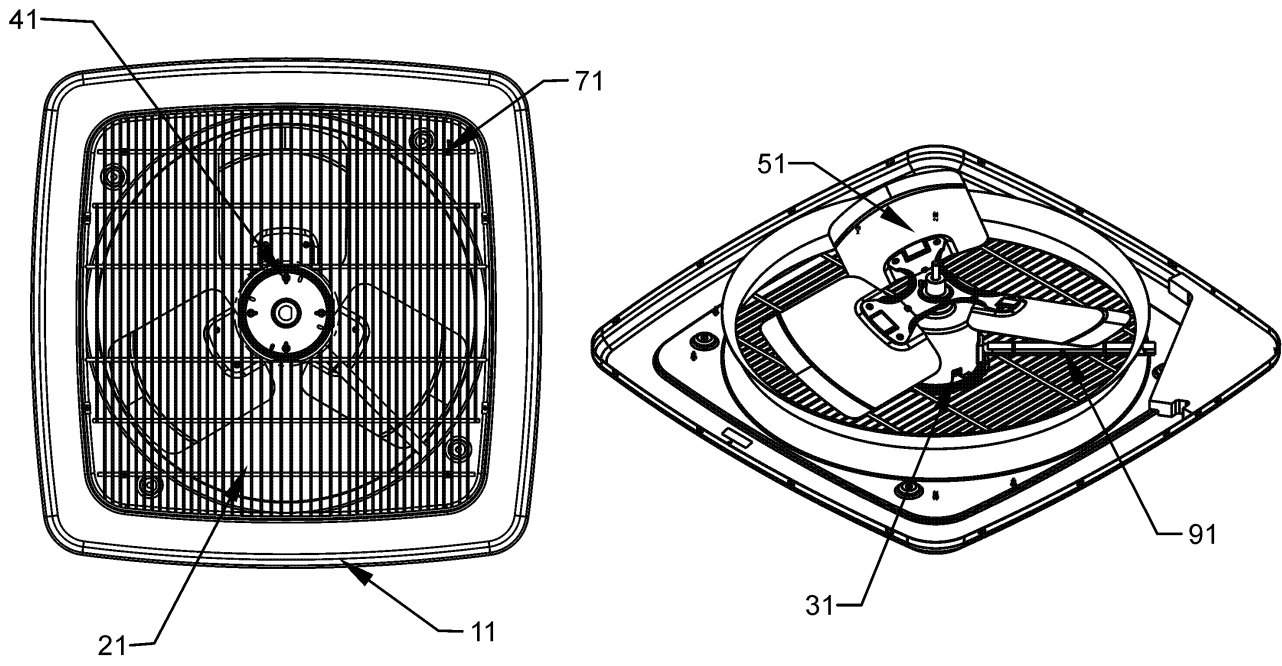
Control Panel Assy



Control Panel Assy

Ref. Part No: No:	Description:	Ref. Part No: No:	Description:
<i>Image 1:</i>		Expanded Model Nomenclature	
21	3P357336-4	INVERTER PCB 2 TON (M1, M2, M3)	M1 - AVZC200241AA
21	3P357343-4	INVERTER PCB 4 TON (M4, M5, M6, M7, M8, M9)	M2 - AVZC200241AB
21	2P361563-3	INVERTER PCB 5 TON (M10, M11, M12)	M3 - AVZC200241AC
31	3E750074-1	POWER CONDITIONER (M1, M2, M3)	M4 - AVZC200361AA
31	3P362914-1	POWER CONDITIONER (M10, M11, M12)	M5 - AVZC200361AB
41	0130M00186	TERMINAL BLOCK	M6 - AVZC200361AC
51	2P346080-1	NF PCB (M4, M5, M6, M7, M8, M9, M10, M11, M12)	M7 - AVZC200481AA
61	2P361564-1	PCB, FAN DRIVE, INVERTER (M10, M11, M12)	M8 - AVZC200481AB
81	3E600193-1	CAPACITOR (M10, M11, M12)	M9 - AVZC200481AC
171	0130M00187	TRANSFORMER	M10 - AVZC200601AA
NS	3EA74081-1	CURRENT SENSOR, CHR-6Z-E-X (M10, M11, M12)	M11 - AVZC200601AB
NS	3P263839-1	FERRITE CORE	M12 - AVZC200601AC
NS	0163M00075	FLANGE NUT, SERRATED	
NS	0154R00018	GASKET - MOUNTING PANEL (M1, M2, M3, M4, M5, M6, M7, M8, M9)	
NS	0154R00019	GASKET - MOUNTING PANEL (M1, M2, M3, M4, M5, M6, M7, M8, M9)	
NS	0154R00024	GASKET, CONTROL PANEL (M10, M11, M12)	
NS	0154R00025	GASKET, CONTROL PANEL (M10, M11, M12)	
NS	0163M00092	SCREW, HWH, 10-24X.500,BZ,SLOT	
NS	0130M00173	Shared data (M1, M2, M3)	
NS	0130M00174	Shared data (M4, M5, M6)	
NS	0130M00175	Shared data (M7, M8, M9)	
NS	0130M00177	Shared data (M10, M11, M12)	
NS	117269J	THERMAL GREASE	
NS	3P381575-1	THERMISTOR ASSY	
NS	0130M00210	WIRE HARNESS (M4, M5, M6, M7, M8, M9)	
NS	0130M00211	WIRE HARNESS (M4, M5, M6, M7, M8, M9)	
NS	0130M00212	WIRE HARNESS (M10, M11, M12)	
NS	0130M00213	WIRE HARNESS (M10, M11, M12)	
NS	0130M00214	WIRE HARNESS (M10, M11, M12)	
NS	0130M00215	WIRE HARNESS (M10, M11, M12)	
NS	0130M00217	WIRE HARNESS (M10, M11, M12)	
NS	0130M00218	WIRE HARNESS (M10, M11, M12)	
NS	0130M00219	WIRE HARNESS (M10, M11, M12)	
NS	0130M00220	WIRE HARNESS (M1, M2, M3)	
NS	0130M00221	WIRE HARNESS (M1, M2, M3)	
NS	0130M00222	WIRE HARNESS (M1, M2, M3)	
NS	0130M00223	WIRE HARNESS (M1, M2, M3, M4, M5, M6, M7, M8, M9)	
NS	0130M00227	WIRE HARNESS	
NS	0130M00188	WIRE HARNESS ASSY (M4, M5, M6, M7, M8, M9)	
NS	0130M00189	WIRE HARNESS ASSY (M10, M11, M12)	
NS	0130M00194	WIRE HARNESS ASSY (M1, M2, M3)	
NS	0130M00195	WIRE HARNESS ASSY (M4, M5, M6, M7, M8, M9)	
NS	0130M00201	WIRE HARNESS ASSY (M10, M11, M12)	
NS	0130M00202	WIRE HARNESS ASSY (M10, M11, M12)	
NS	0130M00206	WIRE HARNESS ASSY (M1, M2, M3)	
NS	0130M00225	WIRE HARNESS ASSY (M10, M11, M12)	

Top and Side Panel Assy



Top and Side Panel Assy

Ref. Part No: No:	Description:	Ref. Part No: No:	Description:
-------------------	--------------	-------------------	--------------

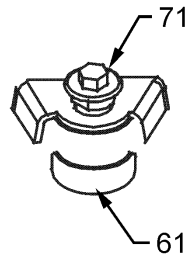
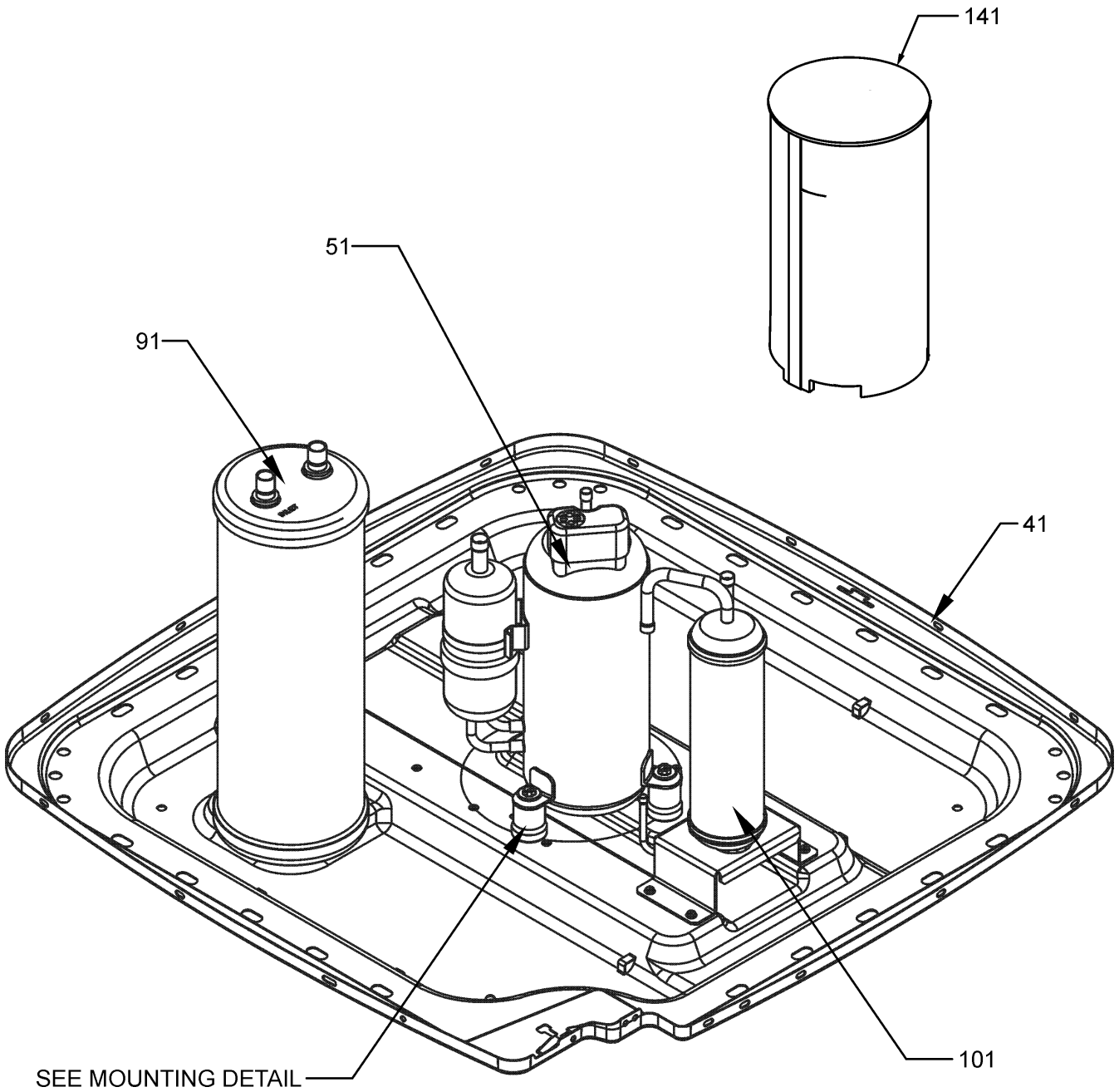
Image 1:

11	0121R00013PDG	VENTURI TOP PANEL 35"
21	0152R00014	GRILLE, WIRE 35" TOP
31	3P356931-1	FAN MOTOR
41	M0280801	HEX NUT (QTY 4)
51	10625738	FAN BLADE 26" ALUM CCW
71	0163M00003P	SCREW #10 X 1/2, A, SLOT, SR, BLACK (QTY 8)
91	0163M00221	CONDUIT, FLEXIBLE
111	0121R00363LGB	PANEL 1, BENT LOUVER ASSY (M1, M2, M3)
111	0121R00513LGB	PANEL 1, BENT LOUVER ASSY (M4, M5, M6, M7, M8, M9, M10, M11, M12)
121	0121R00364LGB	PANEL 2, BENT LOUVER ASSY (M1, M2, M3)
121	0121R00514PLGB	PANEL 2, BENT LOUVER ASSY (M4, M5, M6, M7, M8, M9, M10, M11, M12)
131	0121R00365LG	PAINTED LOUVER PANEL 3 ASSY (M1, M2, M3)
131	0121R00515LG	PAINTED LOUVER PANEL 3 ASSY (M4, M5, M6, M7, M8, M9, M10, M11, M12)
141	0201R00505	COIL TBG, 36.38xL, 22mm CTC (M1, M2, M3)
141	0201R00550	COIL TBG, 39.85xL .22mm CTC (M10, M11, M12)
141	0201R00508	COIL TBG, 39.85xL, 22mm CTC (M4, M5, M6, M7, M8, M9)
NS	0121R00480	ADAPTER PLATE (M1, M2, M3)
NS	0121R00482	ADAPTER PLATE (M4, M5, M6, M7, M8, M9, M10, M11, M12)

Expanded Model Nomenclature

M1 - AVZC200241AA
M2 - AVZC200241AB
M3 - AVZC200241AC
M4 - AVZC200361AA
M5 - AVZC200361AB
M6 - AVZC200361AC
M7 - AVZC200481AA
M8 - AVZC200481AB
M9 - AVZC200481AC
M10 - AVZC200601AA
M11 - AVZC200601AB
M12 - AVZC200601AC

Base Pan and Compressor Assy



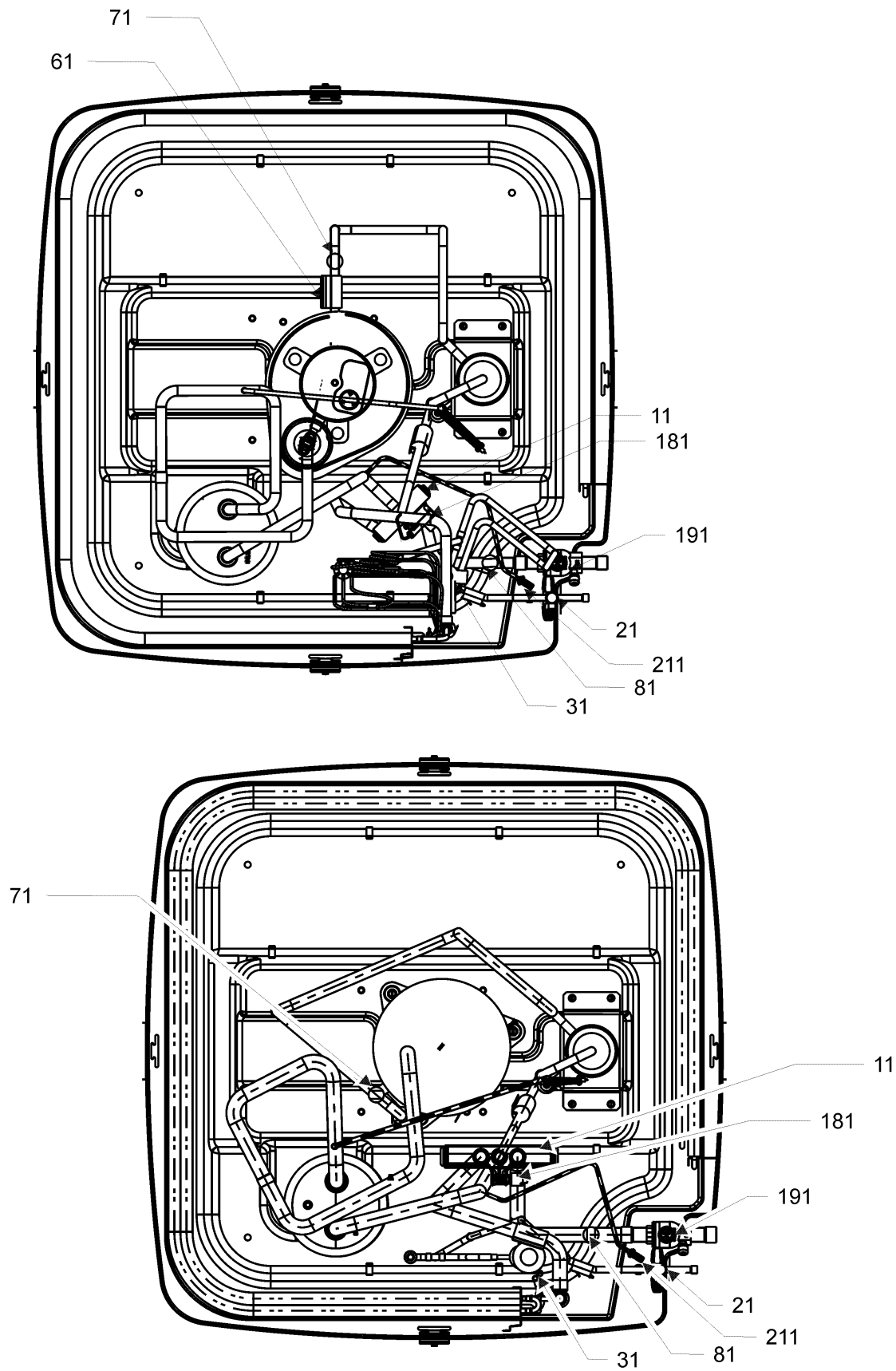
Base Pan and Compressor Assy

Ref. Part No:	Ref. Part No:	Description:	Description:
Image 1:			
41	0121R00007PDG	BASE PAN 35"	
51	0156R00006	COMPRESSOR 2YC36MXD (M1, M2, M3)	
51	0156R00008	COMPRESSOR 2YC90FXD (M4, M5, M6, M7, M8, M9)	
51	0156R00005	COMPRESSOR JT100GCVDW@SB (M10, M11, M12)	
61	0164M00027	RUBBER GROMMET (M4, M5, M6, M7, M8, M9, M10, M11, M12)	
61	0164M00028	RUBBER GROMMET (M1, M2, M3)	
71	0163R00018	SCREW-SHOULDER TF (M4, M5, M6, M7, M8, M9, M10, M11, M12)	
71	0163R00020	SCREW-SHOULDER TF (M1, M2, M3)	
91	0151L00019	ACCUMULATOR (M1, M2, M3)	
91	0151L00020	ACCUMULATOR (M4, M5, M6, M7, M8, M9)	
91	0151L00021	ACCUMULATOR (M10, M11, M12)	
101	3P357142-1	OIL SEPARATOR	
141	0160M00007	COMPRESSOR BLANKET (M1, M2, M3)	
141	0160M00008	COMPRESSOR BLANKET (M4, M5, M6, M7, M8, M9)	
141	0160M00009	COMPRESSOR BLANKET (M10, M11, M12)	
NS	0163R00023	ACCUMULATOR, NUT	
NS	0159R00012	COMPRESSOR WIRE HARNESS (M1, M2, M3)	
NS	0159R00013	COMPRESSOR WIRE HARNESS (M4, M5, M6, M7, M8, M9)	
NS	0159R00014	COMPRESSOR WIRE HARNESS (M10, M11, M12)	
NS	3P130357-15	CRANKCASE HEATER (M10, M11, M12)	
NS	R3269031-3	OIL RETURN FILTER (M1, M2, M3, M4, M5, M6, M7, M8, M9)	

Expanded Model Nomenclature

M1 - AVZC200241AA
M2 - AVZC200241AB
M3 - AVZC200241AC
M4 - AVZC200361AA
M5 - AVZC200361AB
M6 - AVZC200361AC
M7 - AVZC200481AA
M8 - AVZC200481AB
M9 - AVZC200481AC
M10 - AVZC200601AA
M11 - AVZC200601AB
M12 - AVZC200601AC

Tubing Assy



Tubing Assy

Ref. Part No: No:	Description:	Ref. Part No: No:	Description:
<i>Image 1:</i>			
11	0151R00099		REVERSING VALVE (M1, M2, M3)
11	0151R00101		REVERSING VALVE (M4, M5, M6, M7, M8, M9, M10, M11, M12)
21	0151R00078		3/8" SERVICE VALVE (M10, M11, M12)
31	3P381420-1		EV COIL (M4, M5, M6, M7, M8, M9, M10, M11, M12)
31	3P381421-1		EV COIL (M1, M2, M3)
61	4PA17856-4		THERMISTOR HOUSING TUBE
71	3P381424-2		HIGH PRESSURE SWITCH
81	3S481010-1		PRESSURE SENSOR
181	0130M00224		REVERSING VALVE CABLE
191	0151R00097		3/4" BALL VALVE (M1, M2, M3)
191	0151R00081		7/8" BALL VALVE (M4, M5, M6, M7, M8, M9, M10, M11, M12)
211	B1787000		VALVE CORE
NS	3SA27018-1		CHECK VALVE (M1, M2, M3)
NS	4SA27006-1		CHECK VALVE
NS	4SA27011-1		CHECK VALVE (M4, M5, M6, M7, M8, M9)
NS	4PA38890-1		MOUNTING SPRING, THERMISTOR (QTY 4)
NS	R3269031-7		OIL RETURN FILTER (QTY 2)
NS	3S500031-1		Pulse Motor Expans EEV (M4, M5, M6, M7, M8, M9, M10, M11, M12)
NS	3S500032-1		Pulse Motor Expans EEV (M1, M2, M3)
NS	4PA55176-1		WATER PROOF CAP

Expanded Model Nomenclature

M1 - AVZC200241AA
M2 - AVZC200241AB
M3 - AVZC200241AC
M4 - AVZC200361AA
M5 - AVZC200361AB
M6 - AVZC200361AC
M7 - AVZC200481AA
M8 - AVZC200481AB
M9 - AVZC200481AC
M10 - AVZC200601AA
M11 - AVZC200601AB
M12 - AVZC200601AC