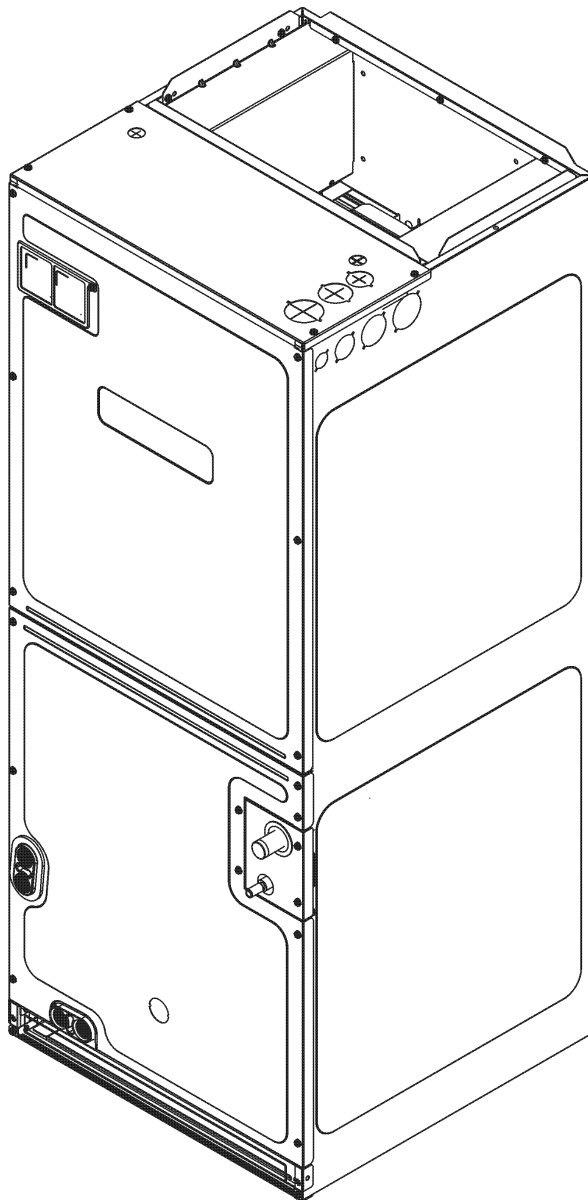


## AVPTC Air Handler

AVPTC25B14AA  
AVPTC29B14AA  
AVPTC31C14AA  
AVPTC37B14AA  
AVPTC37C14AA  
AVPTC37D14AA  
AVPTC49D14AA  
AVPTC59C14AA  
AVPTC59D14AA  
AVPTC61D14AA



Amana® is a registered trademark of Maytag Corporation or its related companies and is used under license. All rights reserved.

This manual is to be used by qualified technicians only.

# Important Information

---

## Index

Functional Parts List .....	3
Illustration and Parts .....	4 - 9

*Views shown are for parts illustrations only, not servicing procedures*

### Text Codes:

AR - As Required

NA - Not Available

NS - Not Shown

00000000 - See Note

QTY - Quantity Example (QTY 3) (If Quantity not shown, Quantity = 1)

M - Model Example (M1) (If M Code not shown, then part is used on all Models)

### Expanded Model Nomenclature:

Example M1 - Model#1 M2 - Model#2 M3 - Model#3
---

Goodman Company, L.P. is not responsible for personal injury or property damage resulting from improper service. Review all service information before beginning repairs.

Warranty service must be performed by an authorized technician, using authorized factory parts. If service is required after the warranty expires, Goodman Company, L.P. also recommends contacting an authorized technician and using authorized factory parts.

Goodman Company, L.P. reserves the right to discontinue, or change at any time, specifications or designs without notice or without incurring obligations.

For assistance within the U.S.A. contact:

Consumer Affairs Department  
Goodman Company, L.P.  
7401 Security Way  
Houston, Texas 77040  
877-254-4729-Telephone  
713-863-2382-Facsimile

For assistance outside the U.S.A. contact:

International Division  
Goodman Company, L.P.  
7401 Security Way  
Houston, Texas 77040  
713-861-2500-Telephone  
713-863-2382-Facsimile

# Functional Parts

## Part

## No: Description:

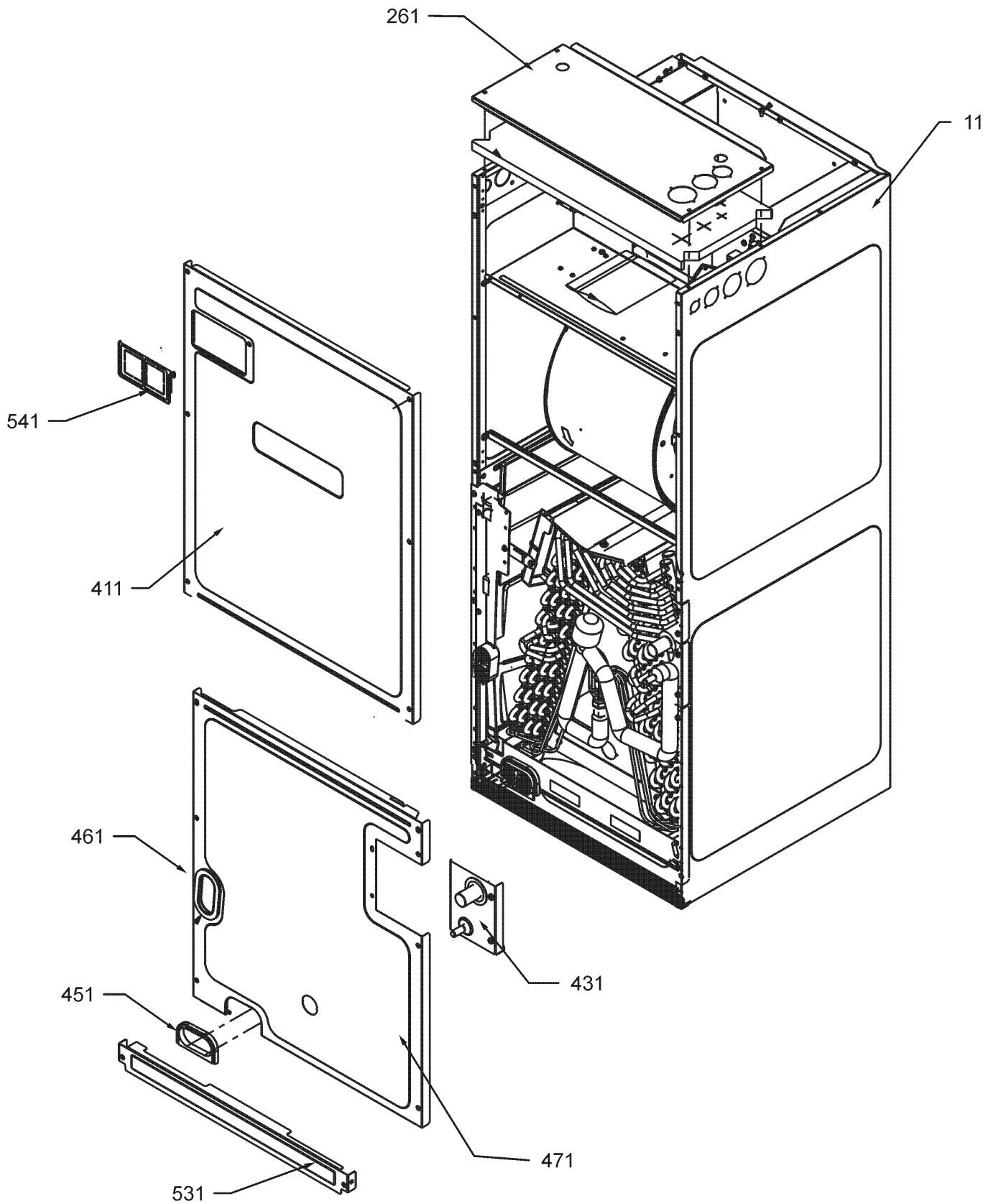
---

0131M00272	MOTOR, 1 HP, SERIAL ECM (M8, M9, M10)
0131M00270	MOTOR, 1/2 HP, SERIAL ECM (M1)
0131M00271	MOTOR, 3/4 HP, SERIAL ECM (M2, M3, M4, M5, M6, M7)
0130A00115	PCB SHARED DATA (M4)
0130A00124	PCB SHARED DATA (M2)
0130A00116	PCB SHARED DATA (M3)
0130A00117	PCB SHARED DATA (M5)
0130A00118	PCB SHARED DATA (M8)
0130A00119	PCB SHARED DATA (M6)
0130A00120	PCB SHARED DATA (M9)
0130A00121	PCB SHARED DATA (M10)
0130A00122	PCB SHARED DATA (M7)
0130A00114	PCB SHARED DATA (M1)
PCBJA104	PCB, CONTROL, AIR HANDLER
0130M00138	TRANSFORMER 208/230, 24V
0151R00133	VALVE, TXV R-410A (M8, M9, M10)
0151R00131	VALVE, TXV R-410A (M4, M5, M6, M7)
0151R00130	VALVE, TXV R-410A (M1, M2, M3)

### Expanded Model Nomenclature

M1 - AVPTC25B14AA
M2 - AVPTC29B14AA
M3 - AVPTC31C14AA
M4 - AVPTC37B14AA
M5 - AVPTC37C14AA
M6 - AVPTC37D14AA
M7 - AVPTC49D14AA
M8 - AVPTC59C14AA
M9 - AVPTC59D14AA
M10 - AVPTC61D14AA

# WRAPPER ASSY



# WRAPPER ASSY

Ref. Part No:	No:	Description:	Ref. Part No:	No:	Description:
<b>Image 1:</b>					
11	0121A00455PDG	WRAPPER (M6, M9)			
11	0121A00456PDG	WRAPPER (M3, M5, M8)			
11	0121A00458PDG	WRAPPER (M2, M4)			
11	0121A00276PDG	WRAPPER, LARGE (M7, M10)			
11	0121A00281PDG	WRAPPER, SM (M1)			
261	0121A00373PDG	Plate, Upper Tie (M1, M2, M4)			
261	0121A00374PDG	Plate, Upper Tie (M3, M5, M8)			
261	0121A00375PDG	Plate, Upper Tie (M6, M7, M9, M10)			
411	0121A00651PDG	PANEL, UPPER ACCESS (M6, M7, M9, M10)			
411	0121A00652PDG	PANEL, UPPER ACCESS (M3, M5, M8)			
411	0121A00653PDG	PANEL, UPPER ACCESS (M1, M2, M4)			
431	0121A00658PDG	Panel, Refrigerant Tubing			
451	0154A00006BL	GASKET, DRAIN PAN			
461	0154A00007BL	GASKET, DRAIN PAN			
471	0121A00460PDG	LOWER ACCESS PANEL (M6, M9)			
471	0121A00461PDG	LOWER ACCESS PANEL (M3, M5, M8)			
471	0121A00463PDG	LOWER ACCESS PANEL (M2, M4)			
471	0121A00618PDG	LOWER ACCESS PANEL (M7, M10)			
471	0121A00620PDG	LOWER ACCESS PANEL (M1)			
531	0121A00242PDG	Panel, Filter Access (M1, M2, M4)			
531	0121A00243PDG	Panel, Filter Access (M3, M5, M8)			
531	0121A00244PDG	Panel, Filter Access (M6, M7, M9, M10)			
541	0161A00063	PLASTIC BREAKER INSERT			
NS	BT1369063	90 DEGREE STUB			
NS	0164A00002	GROMMET			
NS	0163M00036	SCREW,#10X1/2,B,BZ,SLOT,SR,BLK			
NS	0163A00026	THUMB SCREW (QTY 2)			
NS	BT1392909	WASHER; SS RETAINING (QTY 2)			

## Expanded Model Nomenclature

M1 - AVPTC25B14AA
M2 - AVPTC29B14AA
M3 - AVPTC31C14AA
M4 - AVPTC37B14AA
M5 - AVPTC37C14AA
M6 - AVPTC37D14AA
M7 - AVPTC49D14AA
M8 - AVPTC59C14AA
M9 - AVPTC59D14AA
M10 - AVPTC61D14AA

# CONTROL BOX & COIL ASSY

IMAGE 1

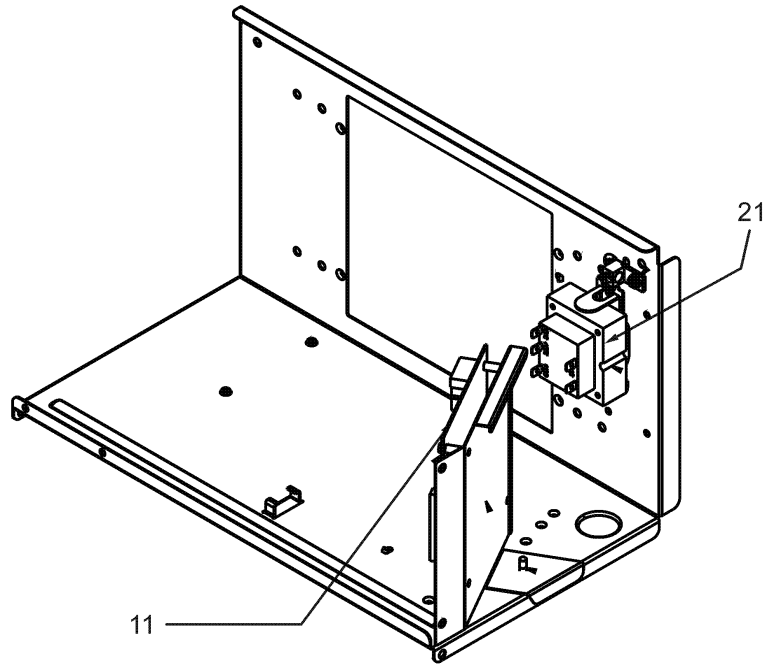
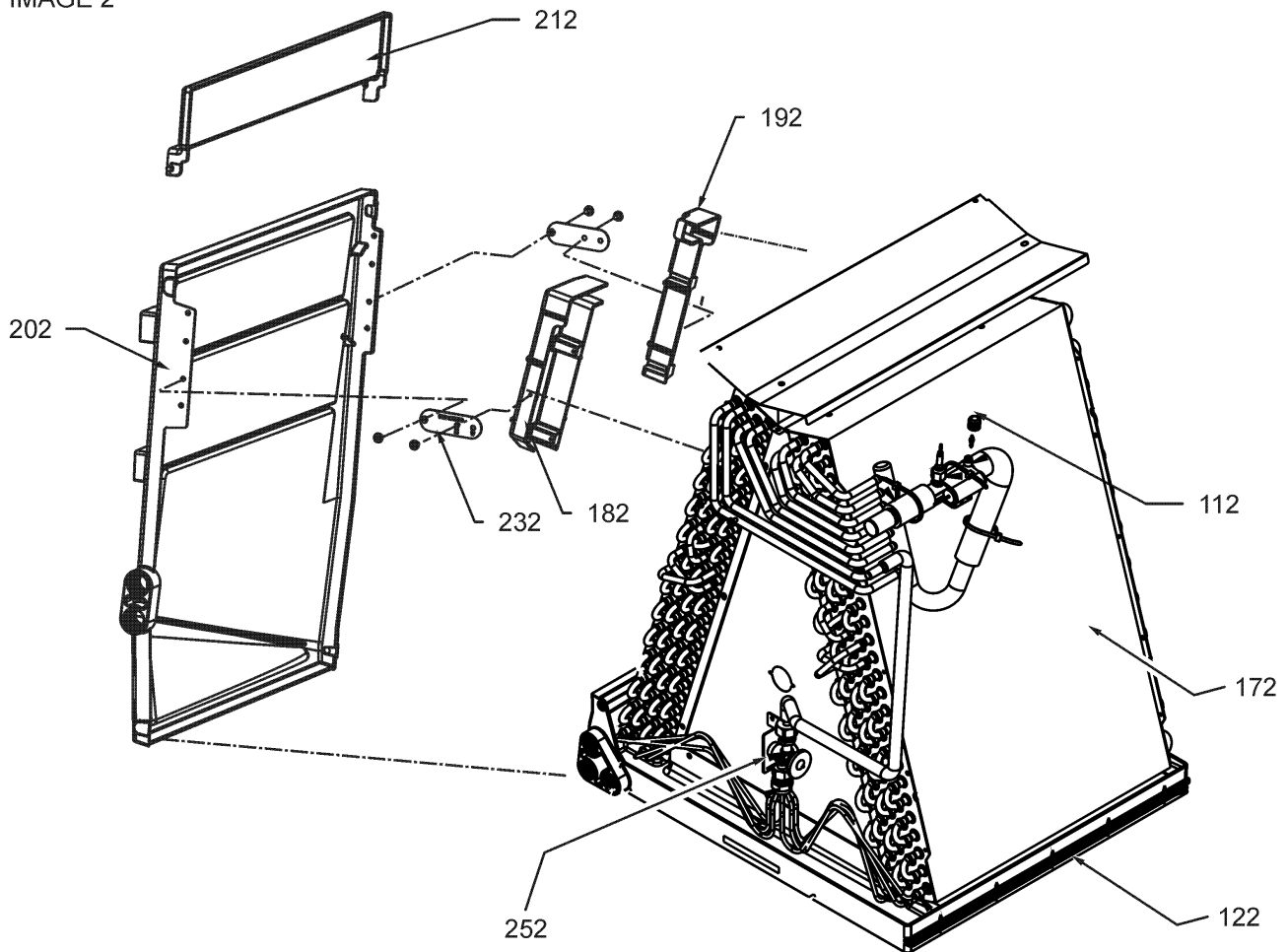


IMAGE 2



# CONTROL BOX & COIL ASSY

Ref. Part No: No:	Description:	Ref. Part No: No:	Description:
-------------------	--------------	-------------------	--------------

**Image 1:**

11	PCBJA104	PCB, CONTROL, AIR HANDLER
21	0130M00138	TRANSFORMER 208/230, 24V
NS	0259A00012P	WIRE ASSY, 9 PIN FEMALE CONN
NS	0259A00016	WIRE HARNESS

**Image 2:**

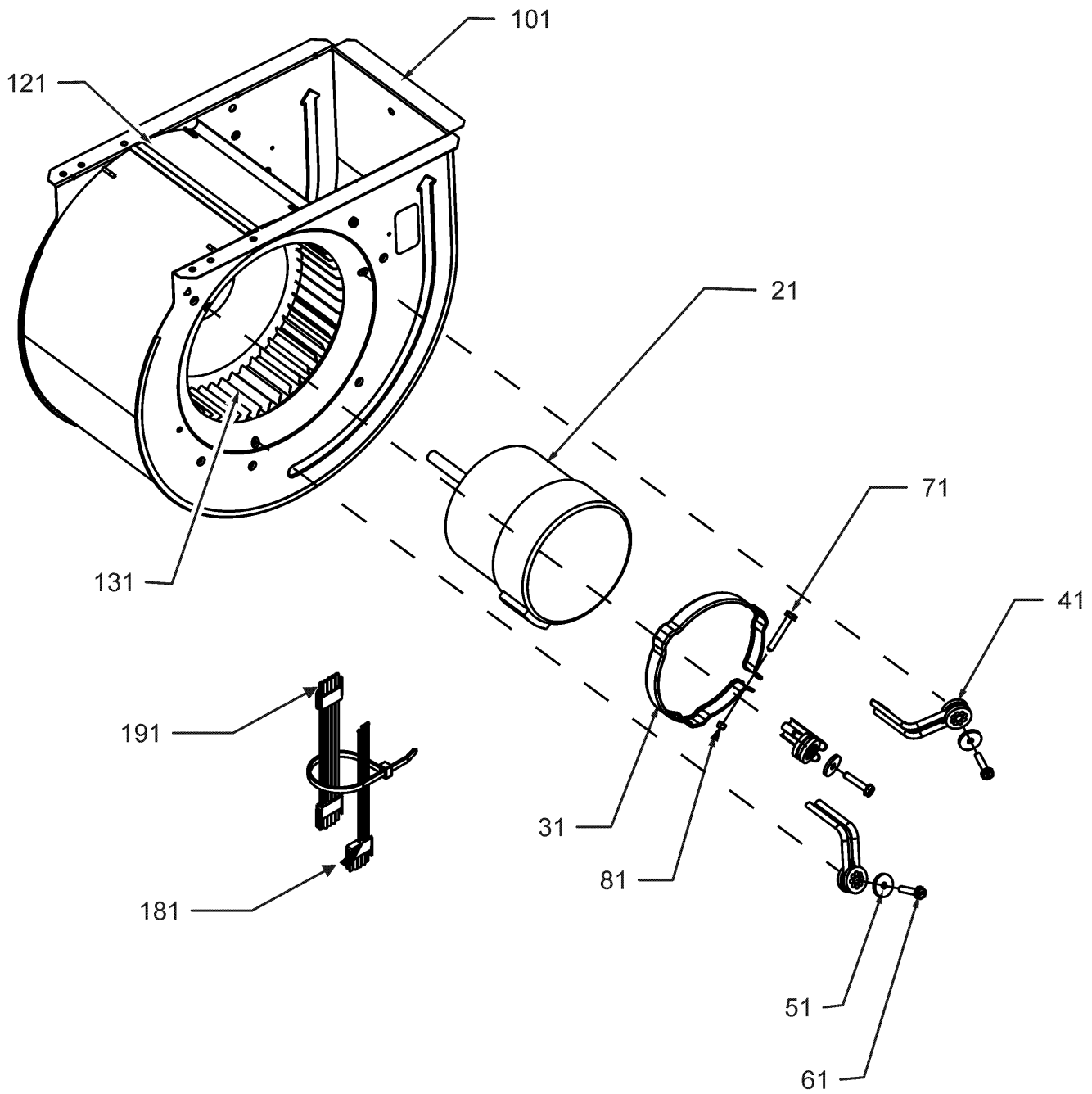
112	B1787000	VALVE CORE
122	0161A00049	DRAINPAN, VERTICAL (M1, M2, M4)
122	0161A00051	DRAINPAN, VERTICAL (M6, M7, M9, M10)
122	0161A00052	DRAINPAN, VERTICAL (M3, M5, M8)
172	0270A00854	COIL TUBING ASSEMBLY (M2)
172	0270A00855	COIL TUBING ASSEMBLY (M5)
172	0270A00857	COIL TUBING ASSEMBLY (M6)
172	0270A00903	COIL TUBING ASSEMBLY (M1)
172	0270A01030	COIL TUBING ASSEMBLY (M4)
172	0270A01032	COIL TUBING ASSEMBLY (M8)
172	0270A01034	COIL TUBING ASSEMBLY (M10)
172	0270A01081	COIL TUBING ASSEMBLY (M3)
172	0270A01085	COIL TUBING ASSEMBLY (M9)
172	0270A01086	COIL TUBING ASSEMBLY (M7)
182	0161A00060	CONDENSATE, COLLECT, FRONT
192	0161A00061	CONDENSATE, COLLECT, BACK
202	0161A00055	DRAIN PAN HORIZONTAL, SMALL (M1)
202	0161A00053	DRAIN PAN HORIZONTAL, TALL (M2, M3, M4, M5, M6, M7, M8, M9, M10)
212	0161A00054	DRAIN PAN, EXTENSION, SMALL (M1, M2, M3, M4, M5, M6, M8, M9)
212	0161A00056	DRAIN PAN, EXTENSION, TALL (M7, M10)
232	0121A00633	BRACKET, DRIP SHIELD (M1, M2, M3, M4, M5, M8)
232	0121A00634	BRACKET, DRIP SHIELD (M6, M7, M9, M10)
252	0151R00130	VALVE, TXV R-410A (M1, M2, M3)
252	0151R00131	VALVE, TXV R-410A (M4, M5, M6, M7)
252	0151R00133	VALVE, TXV R-410A (M8, M9, M10)
NS	0163M00175	CAP WITH O-RING
NS	0154A00006BL	Gasket, Drain Pan
NS	0154A00007BL	Gasket, Drain Pan

**Expanded Model Nomenclature**

M1 - AVPTC25B14AA
M2 - AVPTC29B14AA
M3 - AVPTC31C14AA
M4 - AVPTC37B14AA
M5 - AVPTC37C14AA
M6 - AVPTC37D14AA
M7 - AVPTC49D14AA
M8 - AVPTC59C14AA
M9 - AVPTC59D14AA
M10 - AVPTC61D14AA

# BLOWER ASSY

\*If end bells are needed please order the following:  
0131M00182 - 1/2 HP  
0131M00183 - 3/4 HP  
0131M00184 - 1 HP





# BLOWER ASSY

Ref. Part No:	Ref. Part No:	Description:	Description:
<b>Image 1:</b>			
21	0131M00272	MOTOR, 1 HP, SERIAL ECM (M8, M9, M10)	
21	0131M00270	MOTOR, 1/2 HP, SERIAL ECM (M1)	
21	0131M00271	MOTOR, 3/4 HP, SERIAL ECM (M2, M3, M4, M5, M6, M7)	
31	0121M00038	MOTOR MOUNT BAND (M1, M2, M3, M4, M5)	
31	0121M00039	MOTOR MOUNT BAND (HEAVY DUTY) (M6, M7, M8, M9, M10)	
41	B1376853	MOTOR MOUNT ARM (M3, M5)	
41	B1376861	MOTOR MOUNT ARM (M1, M2, M4)	
41	B1376863	MOTOR MOUNT ARM (HEAVY DUTY) (M6, M7, M8, M9, M10)	
51	B1392918	WASHER, FLAT 1/4 ID X 1 OD (QTY 3)	
61	M0250565	TC SCREW 1.25" (QTY 3)	
71	0163M00320	HEX HED ALL THREAD TAP BOLT	
81	B1393800	LOCKNUT, NYLON, INSERT 1/4, 20	
101	0271A00016	BLOWER HOUSING ASSY 10 X 10 (M6, M7)	
101	0271A00029	BLOWER HOUSING ASSY 10 X 8 (M3, M5, M8)	
101	0271A00206	BLOWER SHELL ASSY (M9, M10)	
101	0271A00299	BLOWER SHELL ASSY 9X6,MORRISON (M1, M2, M4)	
121	764741	BLOWER BLOCK-OFF 10 X 10 (M6, M7)	
121	764740	BLOWER BLOCK-OFF 10 X 8 (M3, M5, M8)	
131	D6723306	BLOWER WHEEL (M6, M7)	
131	B1368016	BLOWER WHEEL 10 X 8 (M8)	
131	B1368058	BLOWER WHEEL 10 X 8 (M3, M5)	
181	0259A00020	HIGH VOLTAGE WIRE HARNESS	
191	0259A00019	WIRE HARNESS (M1, M2, M3, M4, M5, M8)	
NS	0130A00114	PCB SHARED DATA (M1)	
NS	0130A00115	PCB SHARED DATA (M4)	
NS	0130A00116	PCB SHARED DATA (M3)	
NS	0130A00117	PCB SHARED DATA (M5)	
NS	0130A00118	PCB SHARED DATA (M8)	
NS	0130A00119	PCB SHARED DATA (M6)	
NS	0130A00120	PCB SHARED DATA (M9)	
NS	0130A00121	PCB SHARED DATA (M10)	
NS	0130A00122	PCB SHARED DATA (M7)	
NS	0130A00124	PCB SHARED DATA (M2)	
NS	B1393530	SCREW HWH,10 X 1/2, A, YZD, SLOT, SR (QTY 2)	

## Expanded Model Nomenclature

M1 - AVPTC25B14AA
M2 - AVPTC29B14AA
M3 - AVPTC31C14AA
M4 - AVPTC37B14AA
M5 - AVPTC37C14AA
M6 - AVPTC37D14AA
M7 - AVPTC49D14AA
M8 - AVPTC59C14AA
M9 - AVPTC59D14AA
M10 - AVPTC61D14AA