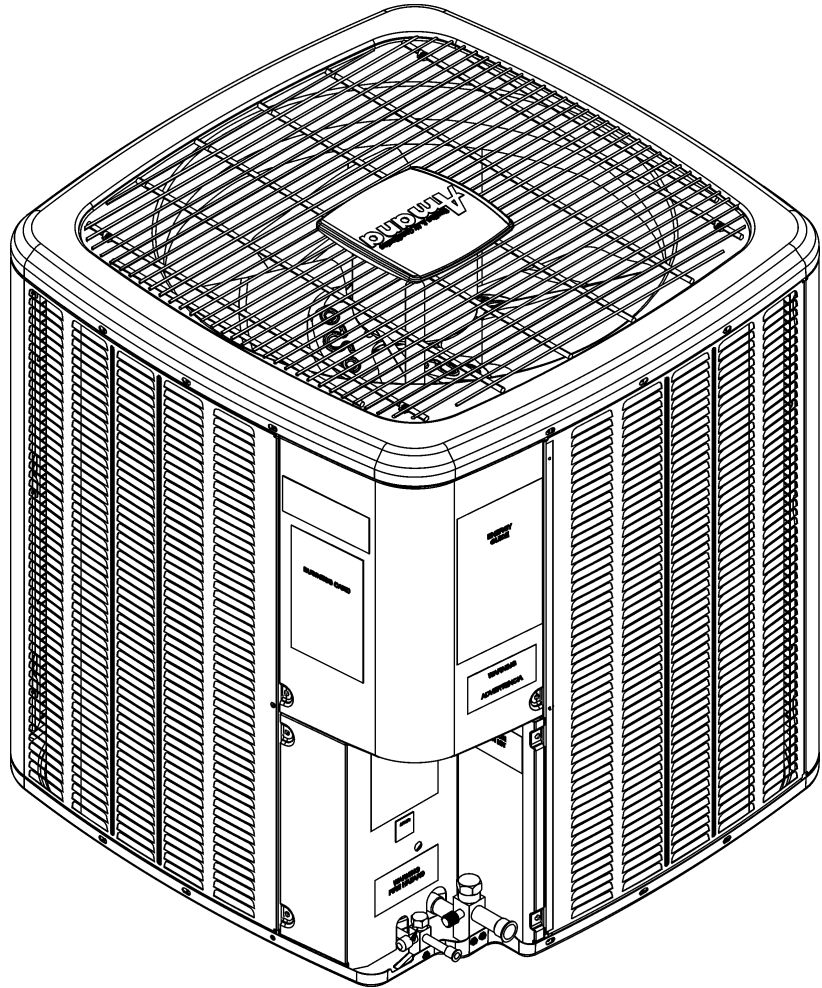


## ASZ16 Remote Heat Pump

ASZ160181LA  
ASZ160181LB  
ASZ160181LC  
ASZ160241LA  
ASZ160241LB  
ASZ160301LA  
ASZ160301LB  
ASZ160361LA  
ASZ160421LA  
ASZ160481LA  
ASZ160601LA



Amana® is a registered trademark of Maytag Corporation or its related companies and is used under license. All rights reserved.

This manual is to be used by qualified technicians only.

This manual replaces RP-A4008D.

© 2015 - 2016 Goodman Manufacturing Company, L.P. ♦ 5151 San Felipe St, Suite 500 ♦ Houston, TX 77056

# Important Information

---

## Index

Functional Parts List .....	3
Illustration and Parts .....	4 - 9

*Views shown are for parts illustrations only, not servicing procedures*

### Text Codes:

AR - As Required

NA - Not Available

NS - Not Shown

00000000 - See Note

QTY - Quantity Example (QTY 3) (If Quantity not shown, Quantity = 1)

M - Model Example (M1) (If M Code not shown, then part is used on all Models)

### Expanded Model Nomenclature:

Example M1 - Model#1 M2 - Model#2 M3 - Model#3
---

Goodman Manufacturing Company, L.P. is not responsible for personal injury or property damage resulting from improper service. Review all service information before beginning repairs.

Warranty service must be performed by an authorized technician, using authorized factory parts. If service is required after the warranty expires, Goodman Manufacturing Company, L.P. also recommends contacting an authorized technician and using authorized factory parts.

Goodman Manufacturing Company, L.P. reserves the right to discontinue, or change at any time, specifications or designs without notice or without incurring obligations.

For assistance within the U.S.A. contact:  
Homeowner Support  
Goodman Manufacturing Company, L.P.  
19001 Kermier Road  
Waller, Texas 77484  
877-254-4729-Telephone  
713-863-2382-Facsimile

For assistance outside the U.S.A. contact:  
International Division  
Goodman Manufacturing Company, L.P.  
19001 Kermier Road  
Waller, Texas 77484  
713-861-2500-Telephone  
713-863-2382-Facsimile

# Functional Parts

**Part No:**            **Description:**

0151R00079      BASE VALVE 3/4" (M1, M2, M3, M4, M5, M6, M7)  
 0151R00078      BASE VALVE 3/8"  
 0151R00080      BASE VALVE 7/8" (M8, M9, M10, M11)  
 CAP050300440CS    CAP.5/30MFD/440V/DUAL RD (M1, M2, M3)  
 CAP050350440CS    CAPACITOR 5/35/440V (M4, M5, M6, M7)  
 CAP050400440CT    CAPACITOR 5/40/440V/DUAL RD (M11)  
 CAP050450440CT    CAPACITOR 5/45/440V/DUAL RD (M8, M9, M10)  
 ZP14K6EPFV130    COMP, 14,000,208/230/60/1 (M1, M2, M3)  
 ZP20K6EPFV130    COMP, 20,000,208/230/60/1 (M4, M5)  
 ZP29K6EPFV130    COMP, 29,000,208/230/60/1 (M8)  
 ZP34K6EPFV130    COMP, 46500, 208/230/60/1 (M9)  
 ZP25K6EPFV130    COMP,34200,208/230/60/1 (M6, M7)  
 ZP39K5EPFV130    COMPRESSOR 39000, 208/230/60/1 (M10)  
 ZPS49K5EPFV130    COMPRESSOR 49100, 208/230/60/1 (M11)  
 0131M00018P      COND MOTOR 1/4 HP, 1 SP, 6 PL (M9)  
 0131M00061      COND MOTOR 1/4 HP, 1 SP, 8 PL (M4, M6, M8, M10)  
 0131M00060      COND MOTOR 1/6 HP, 1 SP, 8 PL (M1, M2)  
 0131M00038      COND MOTOR 1/6 HP, 2 SP, 8 PL (M11)  
 0131M00754      COND MOTOR, PSC, 1/6HP, 8PL (M5, M7)  
 CONT1P025024V    CONTACTOR 25 AMP, 1P, 24V (M1, M2, M3, M4, M5, M6, M7, M8)  
 CONT1P030024V    CONTACTOR 30 AMP, 1P, 24V (M9, M10)  
 CONT2P040024V    CONTACTOR 40 AMP, 2P, 24V (M11)  
 0130M00250      CONTROL, DEFROST  
 571006700      CORE SENSE MODULE  
 0130R00003      CUT-OUT SWITCH, HIGH PRESSURE (M1, M2, M3, M4, M5, M6, M7, M8, M9, M10)  
 0130M00089      CUT-OUT SWITCH, HIGH PRESSURE (M11)  
 0130M00088      CUT-OUT SWITCH, LOW PRESSURE  
 PCBDM133      DEFROST CONTROL BOARD  
 0130M00106      DISC THERMOSTAT(CRNKCS HTR SW)  
 B1086750      FAN BLADE 22", 3 BLADE, 24° (M9)  
 10625738      FAN BLADE 26" ALUM CCW (M4, M5, M6, M7, M8, M10, M11)  
 B1086764      FAN BLADE TYPE 2 (M1, M2, M3)  
 0163R00007      HEATER, CRANKCASE 230V, 40W (M9, M10, M11)  
 0163R00006      HEATER, CRANKCASE 230V, 40W (M1, M2, M3, M4, M5, M6, M7, M8)  
 10135604      RELAY (M11)  
 0151R00068      REVERSING VALVE (M4, M5, M6, M7)  
 0151R00069      REVERSING VALVE (M1, M2, M3)  
 0151R00071      REVERSING VALVE (M8, M9, M10, M11)  
 B1225022      SOLENOID COIL  
 11046711      THERMOSTAT DISC (M11)  
 0151R00121      VALVE, TXV R410A (M1, M2, M3)  
 0151R00125      VALVE, TXV R-410A (M9)  
 0151R00122      VALVE, TXV R-410A (M4, M5)  
 0151R00123      VALVE, TXV R-410A (M8)  
 0151R00127      VALVE, TXV R-410A (M11)  
 0151R00126      VALVE, TXV R-410A (M10)  
 0151R00124      VALVE, TXV R-410A (M6, M7)

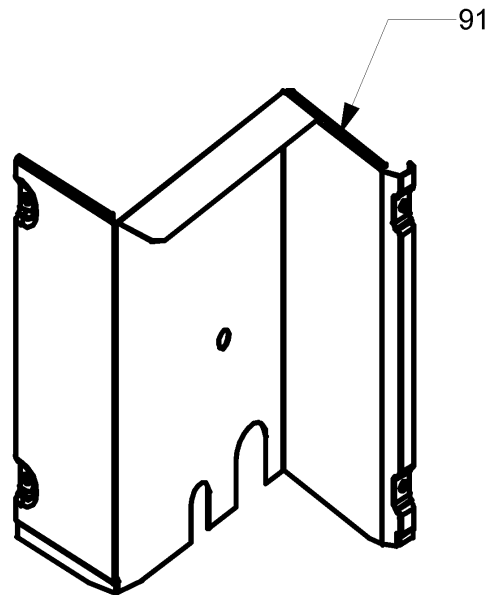
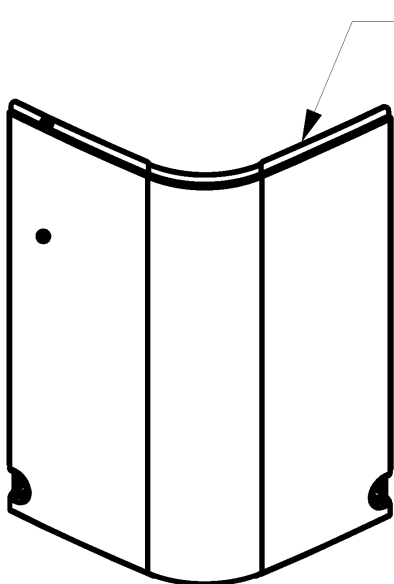
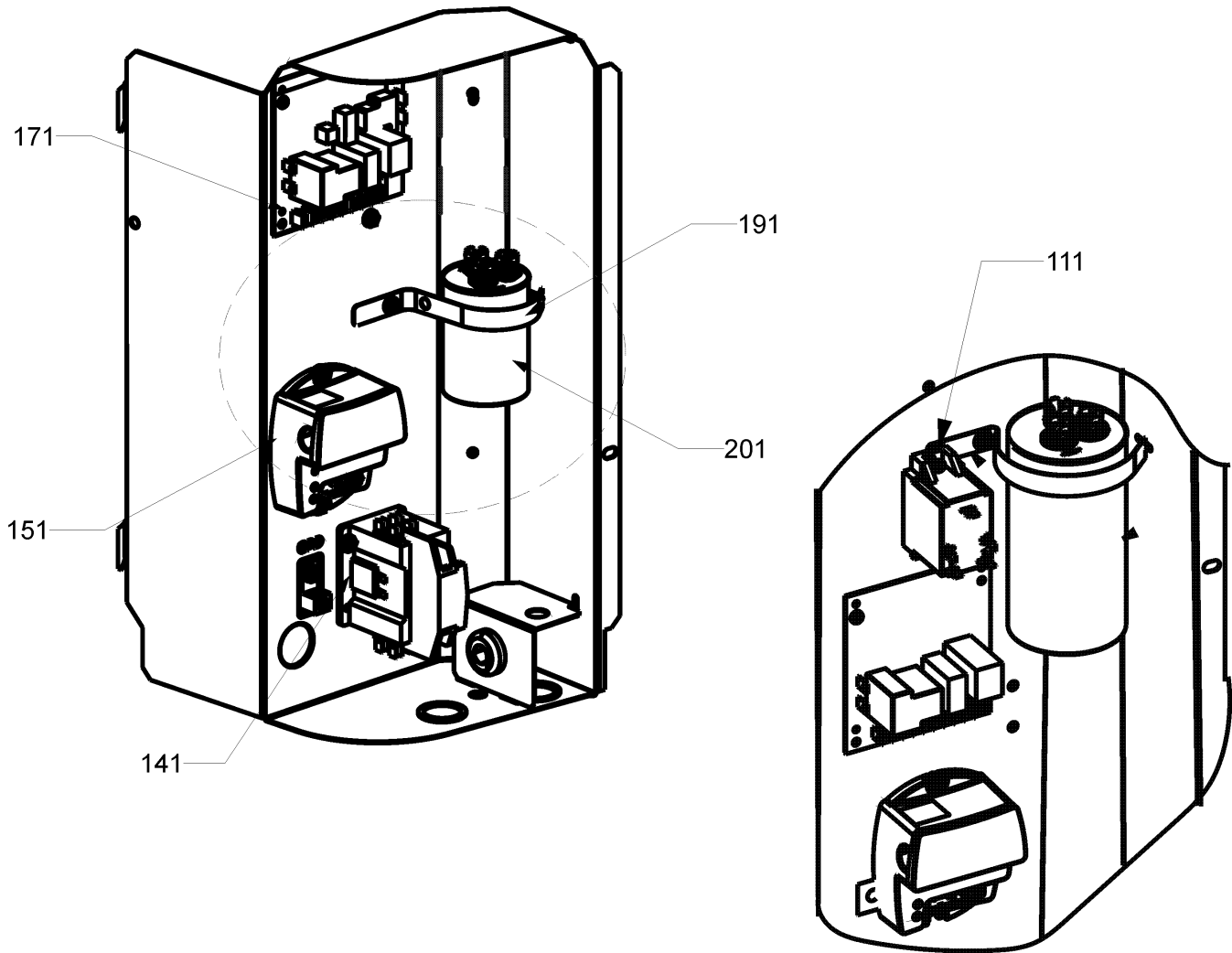
**SPECIAL PARTS**

0161R00008P      AMANA LOGO CAP  
 0161R00010P      AMANA NAMEPLATE

**Expanded Model Nomenclature**

M1 - ASZ160181LA  
 M2 - ASZ160181LB  
 M3 - ASZ160181LC  
 M4 - ASZ160241LA  
 M5 - ASZ160241LB  
 M6 - ASZ160301LA  
 M7 - ASZ160301LB  
 M8 - ASZ160361LA  
 M9 - ASZ160421LA  
 M10 - ASZ160481LA  
 M11 - ASZ160601LA

# Control Panel Assembly



# Control Panel Assembly

Ref. Part No: No:	Description:	Ref. Part No: No:	Description:
-------------------	--------------	-------------------	--------------

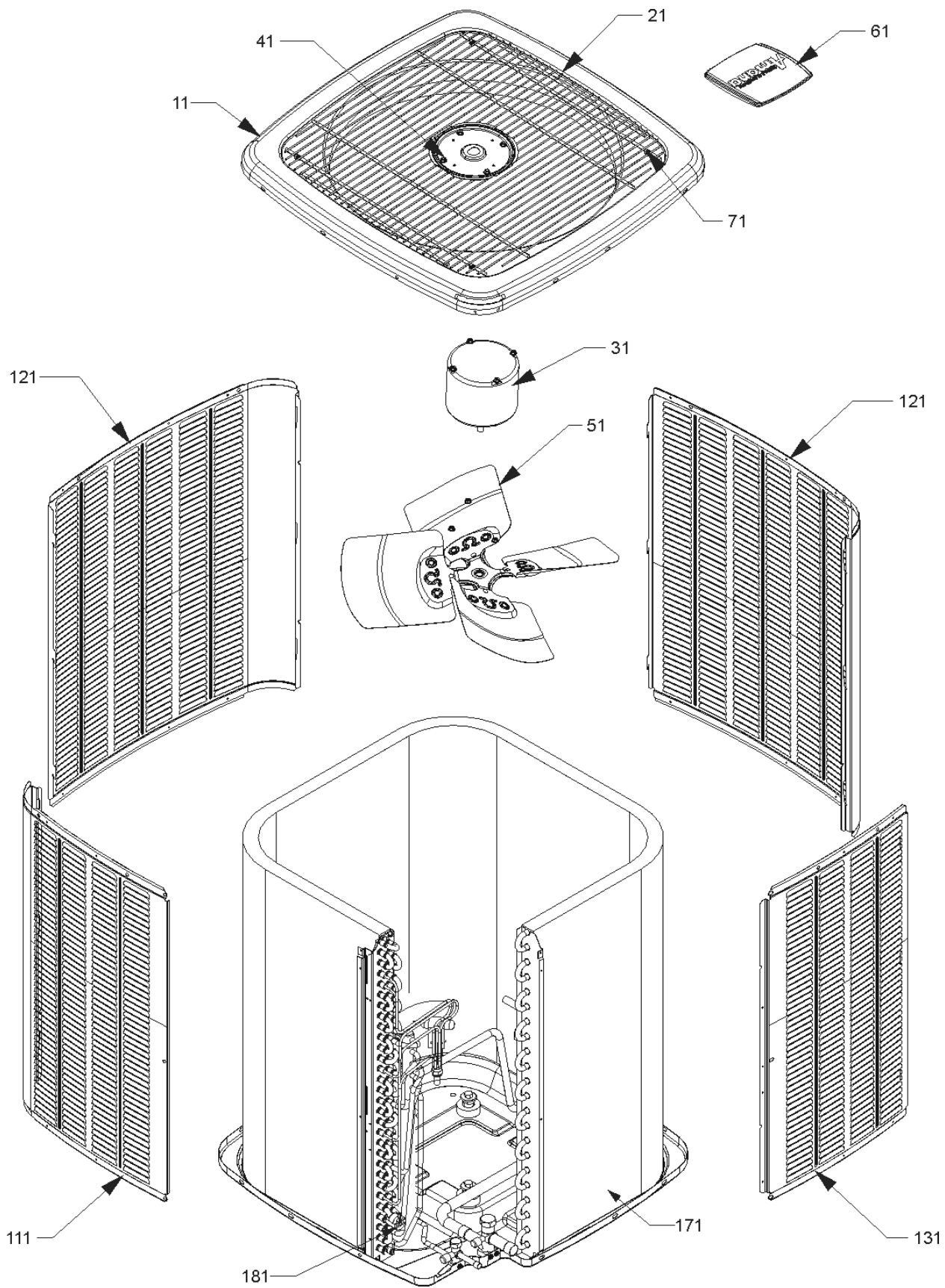
**Image 1:**

81	0121R00053PDG	CONTROL COVER (M1, M2, M3, M4, M5, M6, M7, M8, M9, M10)
81	0121R00054PDG	CONTROL COVER (M11)
91	0121R00154PDG	PANEL, LOWER ACCESS PNT (M1, M2, M3, M9)
91	0121R00328PDG	PANEL, LOWER ACCESS PNT (M8)
91	0121R00625PDG	PANEL, LOWER ACCESS PNT (M4, M5, M6, M7, M10)
91	0121R00662PDG	PANEL, LOWER ACCESS PNT (M11)
111	10135604	RELAY (M11)
141	CONT1P025024V	CONTACTOR 25 AMP, 1P, 24V (M1, M2, M3, M4, M5, M6, M7, M8)
141	CONT1P030024V	CONTACTOR 30 AMP, 1P, 24V (M9, M10)
141	CONT2P040024V	CONTACTOR 40 AMP, 2P, 24V (M11)
151	571006700	CORE SENSE MODULE
171	PCBDM133	DEFROST CONTROL BOARD
191	4400065	CAPACITOR STRAP
201	CAP050300440CS	CAP,5/30MFD/440V/DUAL RD (M1, M2, M3)
201	CAP050350440CS	CAPACITOR 5/35/440V (M4, M5, M6, M7)
201	CAP050400440CT	CAPACITOR 5/40/440V/DUAL RD (M11)
201	CAP050450440CT	CAPACITOR 5/45/440V/DUAL RD (M8, M9, M10)
NS	0161R00010P	AMANA NAMEPLATE

**Expanded Model Nomenclature**

- M1 - ASZ160181LA
- M2 - ASZ160181LB
- M3 - ASZ160181LC
- M4 - ASZ160241LA
- M5 - ASZ160241LB
- M6 - ASZ160301LA
- M7 - ASZ160301LB
- M8 - ASZ160361LA
- M9 - ASZ160421LA
- M10 - ASZ160481LA
- M11 - ASZ160601LA

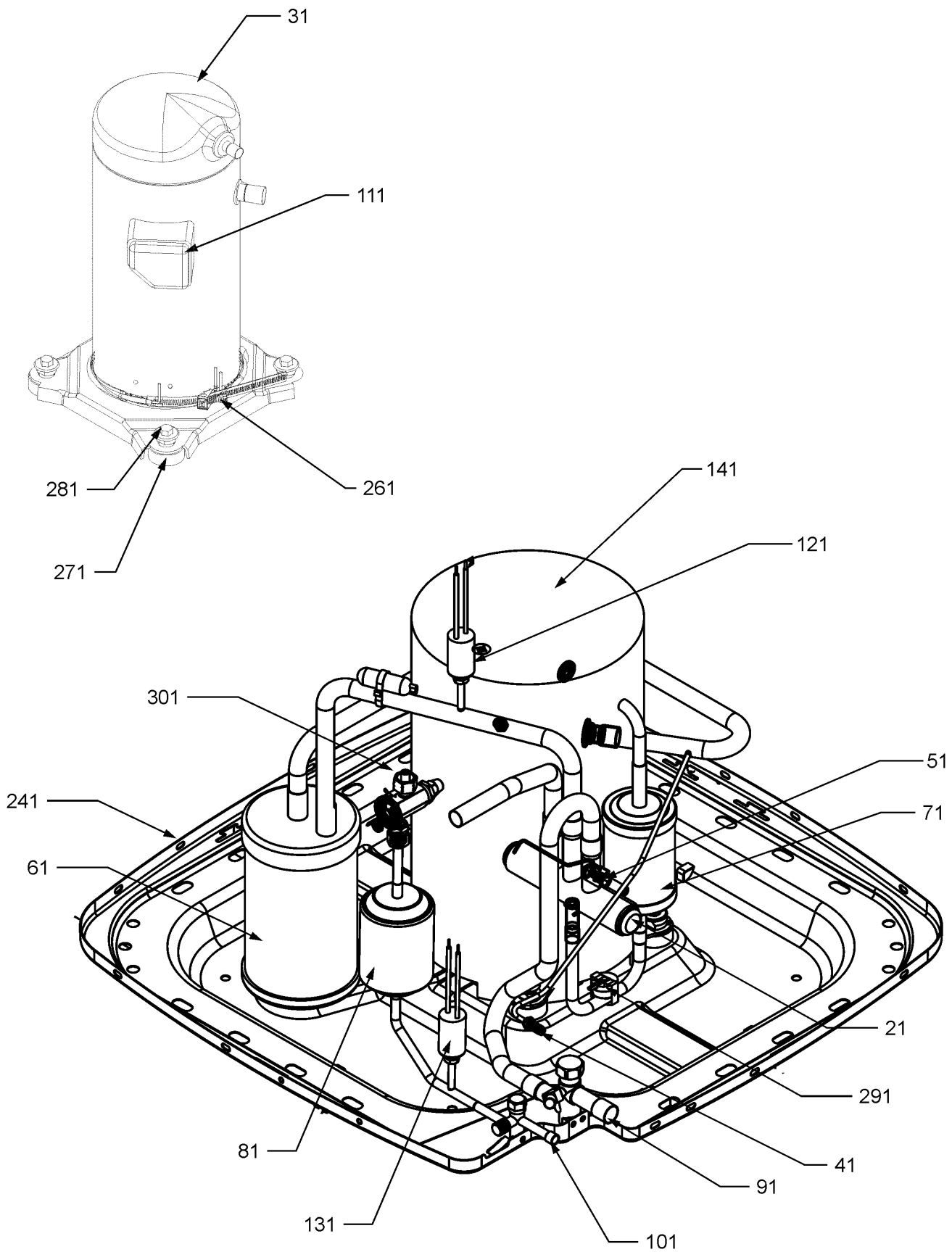
# Top Panel / Condenser Assembly



# Top Panel / Condenser Assembly

Ref. Part No: No:	Description:	Ref. Part No: No:	Description:
<b>Image 1:</b>		<b>Expanded Model Nomenclature</b>	
11	0161R00048	MOLDED RING-VENTURI 22 (M1, M2, M3, M9)	M1 - ASZ160181LA
11	0161R00049	MOLDED RING-VENTURI 26" (M4, M5, M6, M7, M8, M10, M11)	M2 - ASZ160181LB
21	0152R00015	GRILLE, WIRE 29" TOP (M1, M2, M3, M9)	M3 - ASZ160181LC
21	0152R00016	GRILLE, WIRE 35" TOP (M4, M5, M6, M7, M8, M10, M11)	M4 - ASZ160241LA
31	0131M00018P	COND MOTOR 1/4 HP, 1 SP, 6 PL (M9)	M5 - ASZ160241LB
31	0131M00061	COND MOTOR 1/4 HP, 1 SP, 8 PL (M4, M6, M8, M10)	M6 - ASZ160301LA
31	0131M00060	COND MOTOR 1/6 HP, 1 SP, 8 PL (M1, M2)	M7 - ASZ160301LB
31	0131M00038	COND MOTOR 1/6 HP, 2 SP, 8 PL (M11)	M8 - ASZ160361LA
31	0131M00754	COND MOTOR, PSC, 1/6HP, 8PL (M5, M7)	M9 - ASZ160421LA
41	M0280801	HEX NUT (QTY 4)	M10 - ASZ160481LA
51	B1086750	FAN BLADE 22", 3 BLADE, 24° (M9)	M11 - ASZ160601LA
51	10625738	FAN BLADE 26" ALUM CCW (M4, M5, M6, M7, M8, M10, M11)	
51	B1086764	FAN BLADE TYPE 2 (M1, M2, M3)	
61	0161R00008P	AMANA LOGO CAP	
71	0163M00003P	SCREW #10 X 1/2, A, SLOT, SR, BLACK (QTY 4)	
111	0121R00589PLGB	LOUVERED SIDE PANEL [LT OF CNTL PNL] (M1, M2, M3, M9)	
111	0121R00598PLGB	LOUVERED SIDE PANEL [LT OF CNTL PNL] (M4, M5, M6, M7, M10)	
111	0121R00601PLGB	LOUVERED SIDE PANEL [LT OF CNTL PNL] (M8, M11)	
121	0121R00514PLGB	LOUVERED SIDE PANEL (M8, M11)	
121	0121R00590PLGB	LOUVERED SIDE PANEL (M1, M2, M3, M9)	
121	0121R00599PLGB	LOUVERED SIDE PANEL (M4, M5, M6, M7, M10)	
131	0121R00591PLG	LOUVERED SIDE PANEL [RT OF CNTL PNL] (M1, M2, M3, M9)	
131	0121R00600PLG	LOUVERED SIDE PANEL [RT OF CNTL PNL] (M4, M5, M6, M7, M10)	
131	0121R00603PLG	LOUVERED SIDE PANEL [RT OF CNTL PNL] (M8, M11)	
171	0201R00628	COIL TUBING ASSY (M1, M2, M3)	
171	0201R00631	COIL TUBING ASSY (M8)	
171	0201R00632	COIL TUBING ASSY (M9)	
171	0201R00633	COIL TUBING ASSY (M10)	
171	0201R00634	COIL TUBING ASSY (M11)	
171	0201R00664	COIL TUBING ASSY (M4, M5, M6, M7)	
181	0130M00250	CONTROL, DEFROST	
NS	0161R00002P	CONDUIT (M1, M2, M3, M9)	
NS	0161R00004P	CONDUIT (M4, M5, M6, M7, M8, M10, M11)	

# Compressor / Tubing Assembly





# Compressor / Tubing Assembly

Ref. Part No:	Description:	Ref. Part No:	Description:
<i>Image 1:</i>		<b>Expanded Model Nomenclature</b>	
21	0151R00068 REVERSING VALVE (M4, M5, M6, M7)	M1 - ASZ160181LA	
21	0151R00069 REVERSING VALVE (M1, M2, M3)	M2 - ASZ160181LB	
21	0151R00071 REVERSING VALVE (M8, M9, M10, M11)	M3 - ASZ160181LC	
31	ZP14K6EPFV130 COMP, 14,000,208/230/60/1 (M1, M2, M3)	M4 - ASZ160241LA	
31	ZP20K6EPFV130 COMP, 20,000,208/230/60/1 (M4, M5)	M5 - ASZ160241LB	
31	ZP29K6EPFV130 COMP, 29,000,208/230/60/1 (M8)	M6 - ASZ160301LA	
31	ZP34K6EPFV130 COMP, 46500, 208/230/60/1 (M9)	M7 - ASZ160301LB	
31	ZP25K6EPFV130 COMP,34200,208/230/60/1 (M6, M7)	M8 - ASZ160361LA	
31	ZP39K5EPFV130 COMPRESSOR 39000, 208/230/60/1 (M10)	M9 - ASZ160421LA	
31	ZPS49K5EPFV130 COMPRESSOR 49100, 208/230/60/1 (M11)	M10 - ASZ160481LA	
41	0163M00175 CAP WITH O-RING	M11 - ASZ160601LA	
51	0130M00083 REVERSING VALVE HARNESS		
61	0151L00010 ACCUMULATOR (M11)		
61	0151R00004P ACCUMULATOR .750 (M1, M2, M3)		
61	B1226207 ACCUMULATOR .875 (M4, M5, M6, M7, M8, M9, M10)		
71	0162R00007 MUFFLER 1/2 X 1/2		
81	20485201 BI-FLOW FILTER DRIER		
91	0151R00079 BASE VALVE 3/4" (M1, M2, M3, M4, M5, M6, M7)		
91	0151R00080 BASE VALVE 7/8" (M8, M9, M10, M11)		
101	0151R00078 BASE VALVE 3/8"		
111	0159R00001P COMPRESSOR SCROLL HARNESS (M1, M2, M3, M9)		
111	0159R00002P COMPRESSOR SCROLL HARNESS (M4, M5, M6, M7, M8, M10)		
111	0159R00009 COMPRESSOR SCROLL HARNESS (M11)		
121	0130M00088 CUT-OUT SWITCH, LOW PRESSURE		
131	0130M00089 CUT-OUT SWITCH, HIGH PRESSURE (M11)		
131	0130R00003 CUT-OUT SWITCH, HIGH PRESSURE (M1, M2, M3, M4, M5, M6, M7, M8, M9, M10)		
141	B1488807 COMPRESSOR SOUND BLANKET (M9, M10, M11)		
141	B1488810 COMPRESSOR SOUND BLANKET (M1, M2, M3, M4, M5, M6, M7, M8)		
241	0121R00006PDG BASE PAN 29" (M1, M2, M3, M9)		
241	0121R00007PDG BASE PAN 35" (M4, M5, M6, M7, M8, M10, M11)		
261	0163R00006 HEATER, CRANKCASE 230V, 40W (M1, M2, M3, M4, M5, M6, M7, M8)		
261	0163R00007 HEATER, CRANKCASE 230V, 40W (M9, M10, M11)		
271	B1339533 COMPRESSOR GROMMET (QTY 4)		
281	M0221641 TF SHOULDER SCREW (QTY 4)		
291	0130M00106 DISC THERMOSTAT(CRNKCS HTR SW)		
301	0151R00121 VALVE, TXV R410A (M1, M2, M3)		
301	0151R00122 VALVE, TXV R-410A (M4, M5)		
301	0151R00123 VALVE, TXV R-410A (M8)		
301	0151R00124 VALVE, TXV R-410A (M6, M7)		
301	0151R00125 VALVE, TXV R-410A (M9)		
301	0151R00126 VALVE, TXV R-410A (M10)		
301	0151R00127 VALVE, TXV R-410A (M11)		
NS	20468101 COMPRESSOR SOLENOID CABLE (M11)		
NS	B1225022 SOLENOID COIL		
NS	11046711 THERMOSTAT DISC (M11)		
NS	B1787000 VALVE CORE		