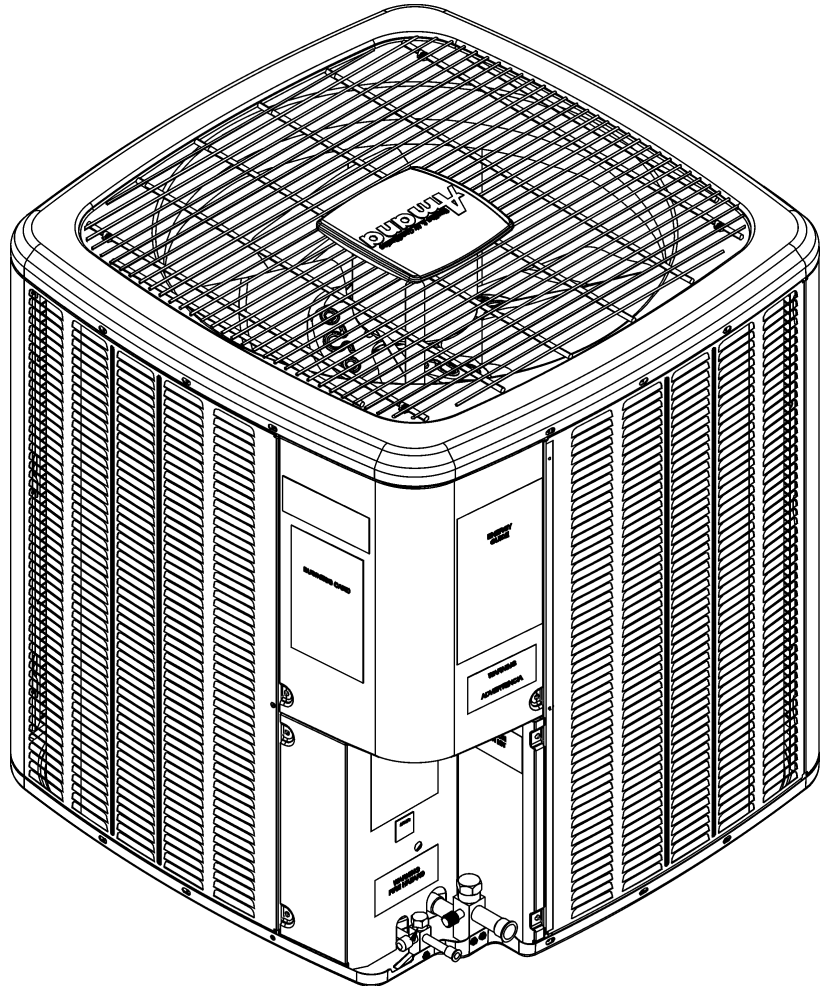


## ASZ14 Remote Heat Pump

ASZ140181KA  
ASZ140181KC  
ASZ140181KD  
ASZ140241KA  
ASZ140241KB  
ASZ140241KC  
ASZ140301KA  
ASZ140301KB  
ASZ140301KC  
ASZ140361KA  
ASZ140361KB  
ASZ140361KC  
ASZ140421KA  
ASZ140421KB  
ASZ140421KC  
ASZ140481KA  
ASZ140481KB  
ASZ140491KA  
ASZ140491KB  
ASZ140491KC  
ASZ140601KA  
ASZ140601KB



Amana® is a registered trademark of Maytag Corporation or its related companies and is used under license. All rights reserved.

This manual is to be used by qualified technicians only.

This manual replaces RP-A4003D.

© 2015 - 2016 Goodman Manufacturing Company, L.P. ♦ 5151 San Felipe St, Suite 500 ♦ Houston, TX 77056

# Important Information

---

## Index

Functional Parts List .....	3
Illustration and Parts .....	4 - 9

*Views shown are for parts illustrations only, not servicing procedures*

### Text Codes:

AR - As Required

NA - Not Available

NS - Not Shown

00000000 - See Note

QTY - Quantity Example (QTY 3) (If Quantity not shown, Quantity = 1)

M - Model Example (M1) (If M Code not shown, then part is used on all Models)

### Expanded Model Nomenclature:

Example M1 - Model#1 M2 - Model#2 M3 - Model#3
---

Goodman Manufacturing Company, L.P. is not responsible for personal injury or property damage resulting from improper service. Review all service information before beginning repairs.

Warranty service must be performed by an authorized technician, using authorized factory parts. If service is required after the warranty expires, Goodman Manufacturing Company, L.P. also recommends contacting an authorized technician and using authorized factory parts.

Goodman Manufacturing Company, L.P. reserves the right to discontinue, or change at any time, specifications or designs without notice or without incurring obligations.

For assistance within the U.S.A. contact:  
Homeowner Support  
Goodman Manufacturing Company, L.P.  
19001 Kermier Road  
Waller, Texas 77484  
877-254-4729-Telephone  
713-863-2382-Facsimile

For assistance outside the U.S.A. contact:  
International Division  
Goodman Manufacturing Company, L.P.  
19001 Kermier Road  
Waller, Texas 77484  
713-861-2500-Telephone  
713-863-2382-Facsimile

# Functional Parts

**Part No:**            **Description:**

---

0151R00079      BASE VALVE 3/4" (M1, M2, M3, M4, M5, M6, M7, M8, M9, M10, M11, M12)  
 0151R00078      BASE VALVE 3/8"  
 0151R00080      BASE VALVE 7/8" (M13, M14, M15, M16, M17, M18, M19, M20, M21, M22)  
 CAP050300440CS    CAP.5/30MFD/440V/DUAL RD (M1, M2, M3)  
 CAP050350440CS    CAPACITOR 5/35/440V (M4, M5, M6, M7, M8, M9)  
 CAP050450440CT    CAPACITOR 5/45/440V/DUAL RD (M10, M11, M12, M13, M14, M15, M16, M17, M18, M19, M20)  
 CAP050700440CT    CAPACITOR 5/70/440V/DUAL RD (M21, M22)  
 ZP14K6EPFV130    COMP, 14,000,208/230/60/1 (M1, M2, M3)  
 ZP20K6EPFV130    COMP, 20,000,208/230/60/1 (M4, M5, M6)  
 ZP34K6EPFV130    COMP, 46500, 208/230/60/1 (M13, M14, M15)  
 ZP40K6EPFV130    COMP, 53700, 208/230/60/1 (M16, M17)  
 ZP25K6EPFV130    COMP,34200,208/230/60/1 (M7, M8, M9)  
 ZP31K6EPFV130    COMP,42500,208/230/60/1 (M10, M11, M12)  
 ZP39K5EPFV130    COMPRESSOR 39000, 208/230/60/1 (M18, M19, M20)  
 ZP51K5EPFV130    COMPRESSOR 51000, 208/230/60/1 (M21, M22)  
 0131M00061      COND MOTOR 1/4 HP, 1 SP, 8 PL (M13, M16, M17, M18, M21, M22)  
 0131M00060      COND MOTOR 1/6 HP, 1 SP, 8 PL (M1, M4, M5, M7, M8, M10, M11)  
 0131M00753      COND MOTOR, 1/6HP, 1SP, 8PL, AL (M2, M3, M6, M9, M12)  
 0131M00754      COND MOTOR, PSC, 1/6HP, 8PL (M14, M15, M19, M20)  
 CONT1P025024V    CONTACTOR 25 AMP, 1P, 24V (M1, M2, M3, M4, M5, M6, M7, M8, M9, M10, M11, M12, M13, M14, M15)  
 CONT1P030024V    CONTACTOR 30 AMP, 1P, 24V (M16, M17, M18, M19, M20, M21, M22)  
 0130M00250      CONTROL, DEFROST  
 571006700      CORE SENSE MODULE  
 0130R00003      CUT-OUT SWITCH, HIGH PRESSURE  
 0130M00088      CUT-OUT SWITCH, LOW PRESSURE  
 PCBDM133      DEFROST CONTROL BOARD  
 0130M00106      DISC THERMOSTAT(CRNKCS HTR SW)  
 10625738      FAN BLADE 26" ALUM CCW (M13, M14, M15, M18, M19, M20, M21, M22)  
 B1086764      FAN BLADE TYPE 2 (M1, M2, M3, M4, M5, M6, M7, M8, M9, M10, M11, M12)  
 B1086765      FAN BLADE TYPE 3 (M16, M17)  
 0163R00007      HEATER, CRANKCASE 230V, 40W (M13, M14, M15, M16, M17, M18, M19, M20, M21, M22)  
 0163R00006      HEATER, CRANKCASE 230V, 40W (M1, M2, M3, M4, M5, M6, M7, M8, M9, M10, M11, M12)  
 0151R00069      REVERSING VALVE (M7, M8, M9, M10, M11, M12)  
 0151R00071      REVERSING VALVE (M13, M14, M15, M16, M17, M18, M19, M20, M21, M22)  
 0151R00068      REVERSING VALVE (M1, M2, M3, M4, M5, M6)  
 B1225022      SOLENOID COIL

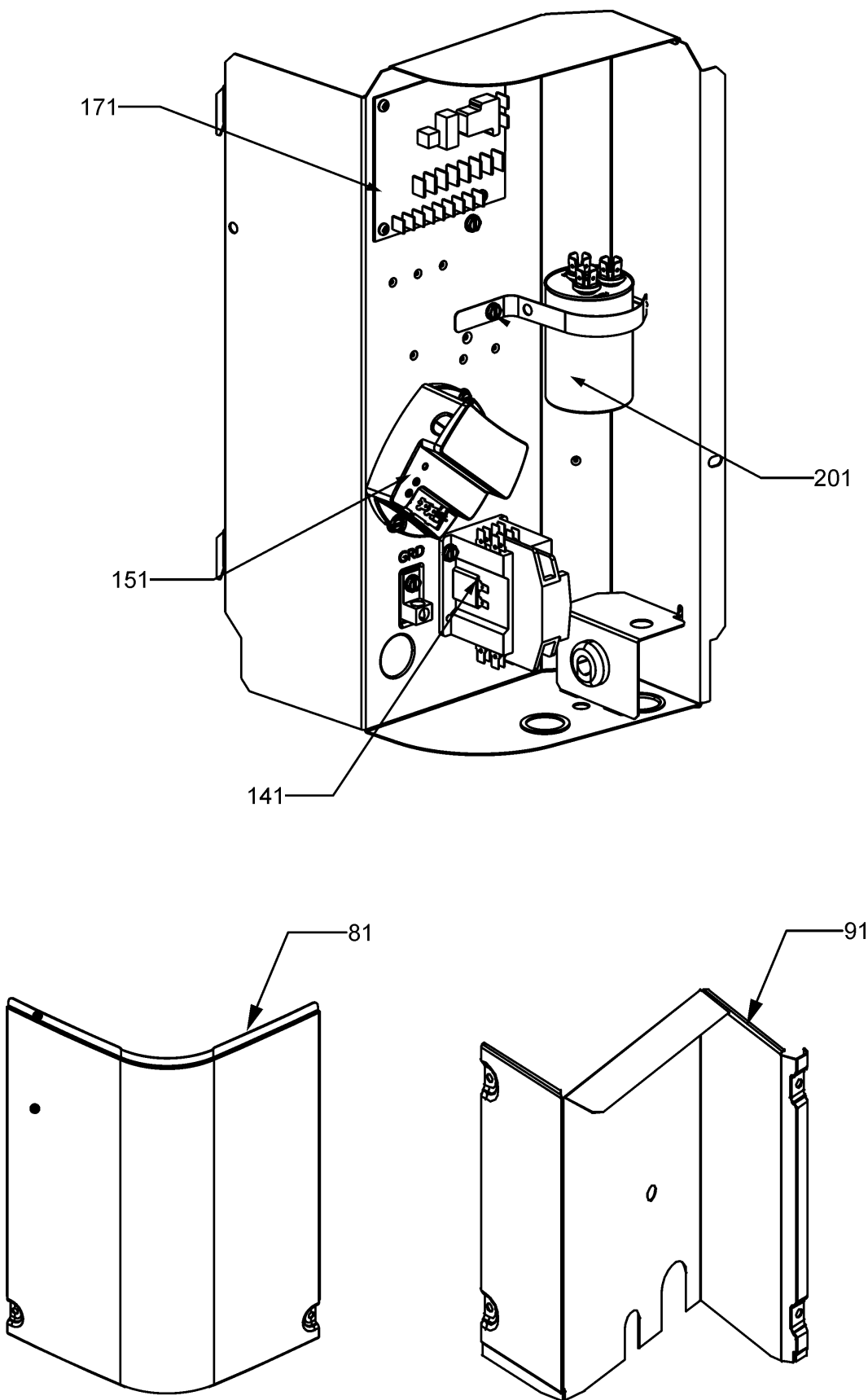
## SPECIAL PARTS

0161R00008P      AMANA LOGO CAP  
 0161R00010P      AMANA NAMEPLATE

## Expanded Model Nomenclature

M1 - ASZ140181KA
M2 - ASZ140181KC
M3 - ASZ140181KD
M4 - ASZ140241KA
M5 - ASZ140241KB
M6 - ASZ140241KC
M7 - ASZ140301KA
M8 - ASZ140301KB
M9 - ASZ140301KC
M10 - ASZ140361KA
M11 - ASZ140361KB
M12 - ASZ140361KC
M13 - ASZ140421KA
M14 - ASZ140421KB
M15 - ASZ140421KC
M16 - ASZ140481KA
M17 - ASZ140481KB
M18 - ASZ140491KA
M19 - ASZ140491KB
M20 - ASZ140491KC
M21 - ASZ140601KA
M22 - ASZ140601KB

# Control Panel Assembly



# Control Panel Assembly

Ref. Part No:	Part No:	Description:	Ref. Part No:	Part No:	Description:
---------------	----------	--------------	---------------	----------	--------------

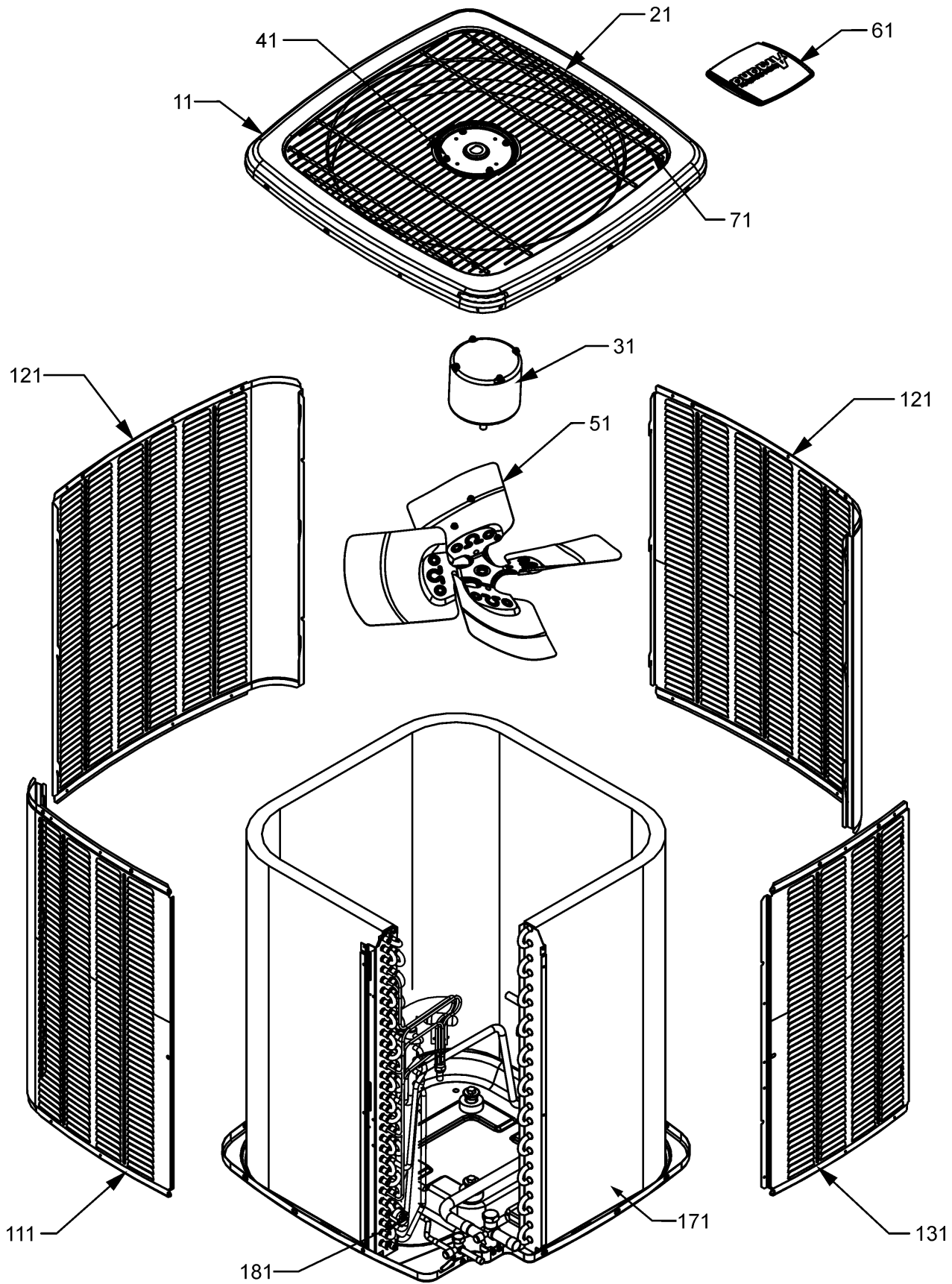
**Image 1:**

81	0121R00053PDG	CONTROL COVER			
91	0121R00154PDG	PANEL, LOWER ACCESS PNT (M7, M8, M9, M10, M11, M12, M16, M17)			
91	0121R00328PDG	PANEL, LOWER ACCESS PNT (M13, M14, M15)			
91	0121R00625PDG	PANEL, LOWER ACCESS PNT (M1, M2, M3, M4, M5, M6, M18, M19, M20, M21, M22)			
141	CONT1P025024V	CONTACTOR 25 AMP, 1P, 24V (M1, M2, M3, M4, M5, M6, M7, M8, M9, M10, M11, M12, M13, M14, M15)			
141	CONT1P030024V	CONTACTOR 30 AMP, 1P, 24V (M16, M17, M18, M19, M20, M21, M22)			
151	571006700	CORE SENSE MODULE			
171	PCBDM133	DEFROST CONTROL BOARD			
191	4400065	CAPACITOR STRAP			
201	CAP050300440CS	CAP,5/30MFD/440V/DUAL RD (M1, M2, M3)			
201	CAP050350440CS	CAPACITOR 5/35/440V (M4, M5, M6, M7, M8, M9)			
201	CAP050450440CT	CAPACITOR 5/45/440V/DUAL RD (M10, M11, M12, M13, M14, M15, M16, M17, M18, M19, M20)			
201	CAP050700440CT	CAPACITOR 5/70/440V/DUAL RD (M21, M22)			
NS	0161R00010P	AMANA NAMEPLATE			

**Expanded Model Nomenclature**

M1 - ASZ140181KA
M2 - ASZ140181KC
M3 - ASZ140181KD
M4 - ASZ140241KA
M5 - ASZ140241KB
M6 - ASZ140241KC
M7 - ASZ140301KA
M8 - ASZ140301KB
M9 - ASZ140301KC
M10 - ASZ140361KA
M11 - ASZ140361KB
M12 - ASZ140361KC
M13 - ASZ140421KA
M14 - ASZ140421KB
M15 - ASZ140421KC
M16 - ASZ140481KA
M17 - ASZ140481KB
M18 - ASZ140491KA
M19 - ASZ140491KB
M20 - ASZ140491KC
M21 - ASZ140601KA
M22 - ASZ140601KB

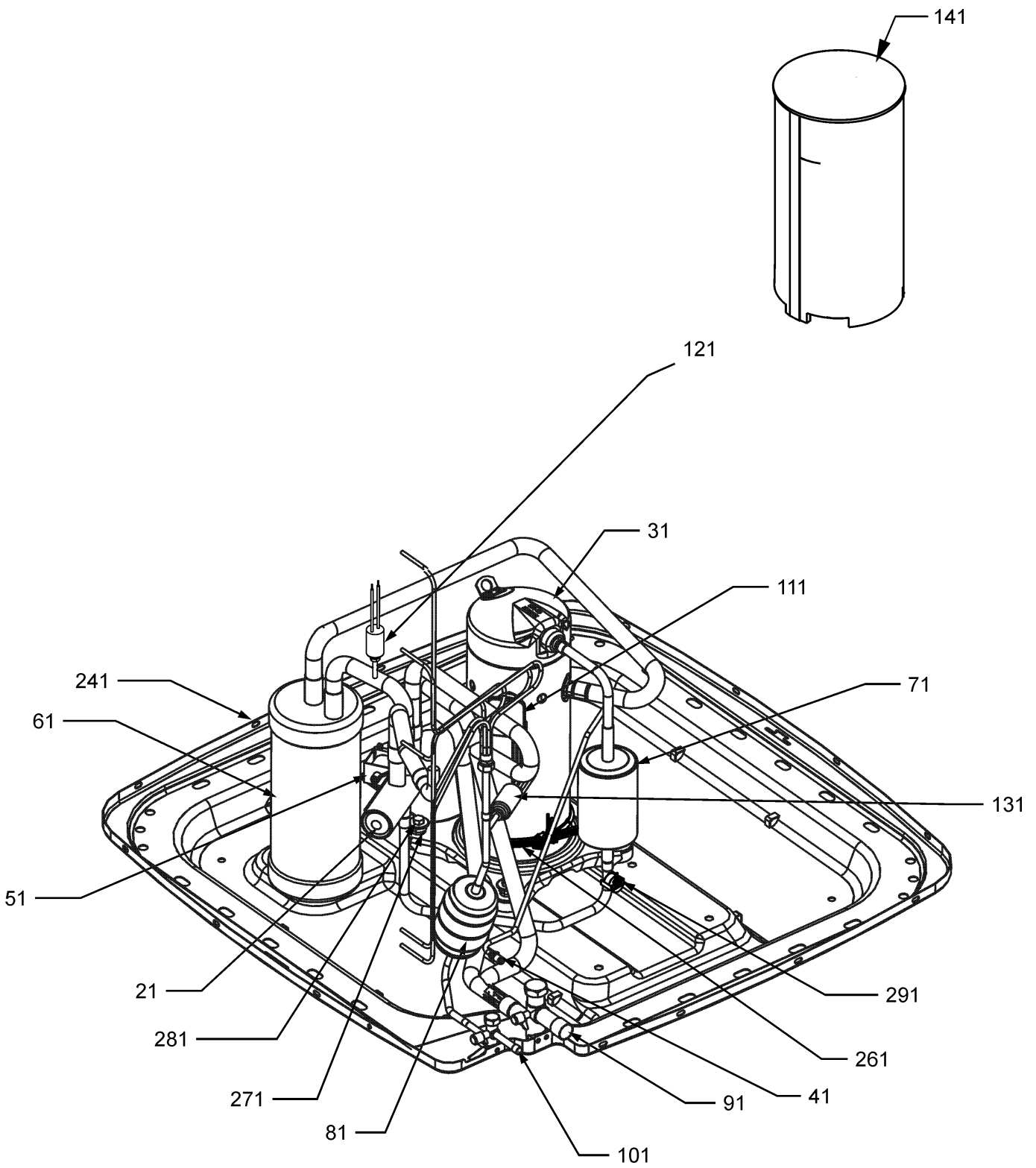
# Top Panel / Condenser Assembly



# Top Panel / Condenser Assembly

Ref. Part No: No:	Description:	Ref. Part No: No:	Description:
<b>Image 1:</b>		<b>Image 1:</b>	
11 0161R00048	MOLDED RING-VENTURI 22 (M1, M2, M3, M4, M5, M6, M7, M8, M9, M10, M11, M12, M16, M17)	NS 0161R00004P	CONDUIT (M13, M14, M15, M18, M19, M20, M21, M22)
11 0161R00049	MOLDED RING-VENTURI 26" (M13, M14, M15, M18, M19, M20, M21, M22)	NS B1789872	FLOW CHECK PISTON KIT (M10, M11, M12)
21 0152R00015	GRILLE, WIRE 29" TOP (M1, M2, M3, M4, M5, M6, M7, M8, M9, M10, M11, M12, M16, M17)	NS B1789851	FLOW CHECK PISTON KIT .051 (M2, M3)
21 0152R00016	GRILLE, WIRE 35" TOP (M13, M14, M15, M18, M19, M20, M21, M22)	NS B1789857	FLOW CHECK PISTON KIT .057 (M4, M5, M6)
31 0131M00061	COND MOTOR 1/4 HP, 1 SP, 8 PL (M13, M16, M17, M18, M21, M22)	NS B1789865	FLOW CHECK PISTON KIT .065 (M7, M8, M9)
31 0131M00060	COND MOTOR 1/6 HP, 1 SP, 8 PL (M1, M4, M5, M7, M8, M10, M11)	NS B1789878	FLOW CHECK PISTON KIT .078 (M14, M15)
31 0131M00753	COND MOTOR, 1/6HP, 1SP, 8PL, AL (M2, M3, M6, M9, M12)	NS B1789880	FLOW CHECK PISTON KIT .080 (M16, M17, M19, M20)
31 0131M00754	COND MOTOR, PSC, 1/6HP, 8PL (M14, M15, M19, M20)	NS B1789888	FLOW CHECK PISTON KIT .088 (M21, M22)
41 M0280801	HEX NUT (QTY 4)	<b>Expanded Model Nomenclature</b>	
41 B1787000	VALVE CORE	M1 - ASZ140181KA	
51 10625738	FAN BLADE 26" ALUM CCW (M13, M14, M15, M18, M19, M20, M21, M22)	M2 - ASZ140181KC	
51 B1086764	FAN BLADE TYPE 2 (M1, M2, M3, M4, M5, M6, M7, M8, M9, M10, M11, M12)	M3 - ASZ140181KD	
51 B1086765	FAN BLADE TYPE 3 (M16, M17)	M4 - ASZ140241KA	
61 0161R00008P	AMANA LOGO CAP	M5 - ASZ140241KB	
71 0163M00003P	SCREW #10 X 1/2, A, SLOT, SR, BLACK (QTY 6)	M6 - ASZ140241KC	
111 0121R00580PLGB	LOUVERED SIDE PANEL [LT OF CNTL PNL] (M1, M2, M3, M4, M5, M6)	M7 - ASZ140301KA	
111 0121R00589PLGB	LOUVERED SIDE PANEL [LT OF CNTL PNL] (M7, M8, M9, M10, M11, M12, M16, M17)	M8 - ASZ140301KB	
111 0121R00598PLGB	LOUVERED SIDE PANEL [LT OF CNTL PNL] (M18, M19, M20, M21, M22)	M9 - ASZ140301KC	
111 0121R00601PLGB	LOUVERED SIDE PANEL [LT OF CNTL PNL] (M13, M14, M15)	M10 - ASZ140361KA	
121 0121R00514PLGB	LOUVERED SIDE PANEL (M13, M14, M15)	M11 - ASZ140361KB	
121 0121R00581PLGB	LOUVERED SIDE PANEL (M1, M2, M3, M4, M5, M6)	M12 - ASZ140361KC	
121 0121R00590PLGB	LOUVERED SIDE PANEL (M7, M8, M9, M10, M11, M12, M16, M17)	M13 - ASZ140421KA	
121 0121R00599PLGB	LOUVERED SIDE PANEL (M18, M19, M20, M21, M22)	M14 - ASZ140421KB	
131 0121R00582PLG	LOUVERED SIDE PANEL [RT OF CNTL PNL] (M1, M2, M3, M4, M5, M6)	M15 - ASZ140421KC	
131 0121R00591PLG	LOUVERED SIDE PANEL [RT OF CNTL PNL] (M7, M8, M9, M10, M11, M12, M16, M17)	M16 - ASZ140481KA	
131 0121R00600PLG	LOUVERED SIDE PANEL [RT OF CNTL PNL] (M18, M19, M20, M21, M22)	M17 - ASZ140481KB	
131 0121R00603PLG	LOUVERED SIDE PANEL [RT OF CNTL PNL] (M13, M14, M15)	M18 - ASZ140491KA	
171 0201R00515	COIL TUBING ASSY (M13, M14, M15)	M19 - ASZ140491KB	
171 0201R00567	COIL TUBING ASSY (M18, M19, M20, M21, M22)	M20 - ASZ140491KC	
171 0201R00581	COIL TUBING ASSY (M16, M17)	M21 - ASZ140601KA	
171 0201R00668	COIL TUBING ASSY (M1, M2, M3)	M22 - ASZ140601KB	
171 0201R00669	COIL TUBING ASSY (M4, M5, M6)		
171 0201R00670	COIL TUBING ASSY (M7, M8, M9)		
171 0201R00671	COIL TUBING ASSY (M10, M11, M12)		
181 0130M00250	CONTROL, DEFROST		
NS 0161R00002P	CONDUIT (M1, M2, M3, M4, M5, M6, M7, M8, M9, M10, M11, M12, M16, M17)		

# Compressor / Tubing Assembly





# Compressor / Tubing Assembly

**Ref. Part  
No: No:**

**Description:**

**Ref. Part  
No: No:**

**Description:**

**Image 1:**

21	0151R00068	REVERSING VALVE (M1, M2, M3, M4, M5, M6)
21	0151R00069	REVERSING VALVE (M7, M8, M9, M10, M11, M12)
21	0151R00071	REVERSING VALVE (M13, M14, M15, M16, M17, M18, M19, M20, M21, M22)
31	ZP14K6EPFV130	COMP, 14,000,208/230/60/1 (M1, M2, M3)
31	ZP20K6EPFV130	COMP, 20,000,208/230/60/1 (M4, M5, M6)
31	ZP34K6EPFV130	COMP, 46500, 208/230/60/1 (M13, M14, M15)
31	ZP40K6EPFV130	COMP, 53700, 208/230/60/1 (M16, M17)
31	ZP25K6EPFV130	COMP,34200,208/230/60/1 (M7, M8, M9)
31	ZP31K6EPFV130	COMP,42500,208/230/60/1 (M10, M11, M12)
31	ZP39K5EPFV130	COMPRESSOR 39000, 208/230/60/1 (M18, M19, M20)
31	ZP51K5EPFV130	COMPRESSOR 51000, 208/230/60/1 (M21, M22)
41	0163M00175	CAP WITH O-RING
51	0130M00083	REVERSING VALVE HARNESS
61	0151L00008	ACCUMULATOR (M10, M11, M12)
61	0151R00004P	ACCUMULATOR .750 (M1, M2, M3, M4, M5, M6, M7, M8, M9)
61	B1226207	ACCUMULATOR .875 (M13, M14, M15, M16, M17, M18, M19, M20, M21, M22)
71	0162R00007	MUFFLER 1/2 X 1/2
81	20485201	BI-FLOW FILTER DRIER
91	0151R00079	BASE VALVE 3/4" (M1, M2, M3, M4, M5, M6, M7, M8, M9, M10, M11, M12)
91	0151R00080	BASE VALVE 7/8" (M13, M14, M15, M16, M17, M18, M19, M20, M21, M22)
101	0151R00078	BASE VALVE 3/8"
111	0159R00001P	COMPRESSOR SCROLL HARNESS (M1, M2, M3, M4, M5, M6, M7, M8, M9, M10, M11, M12, M16, M17)
111	0159R00002P	COMPRESSOR SCROLL HARNESS (M13, M14, M15, M18, M19, M20, M21, M22)
121	0130M00088	CUT-OUT SWITCH, LOW PRESSURE
131	0130R00003	CUT-OUT SWITCH, HIGH PRESSURE
141	B1488807	COMPRESSOR SOUND BLANKET (M13, M14, M15, M16, M17, M18, M19, M20, M21, M22)
141	B1488810	COMPRESSOR SOUND BLANKET (M1, M2, M3, M4, M5, M6, M7, M8, M9, M10, M11, M12)
241	0121R00006PDG	BASE PAN 29" (M1, M2, M3, M4, M5, M6, M7, M8, M9, M10, M11, M12, M16, M17)
241	0121R00007PDG	BASE PAN 35" (M13, M14, M15, M18, M19, M20, M21, M22)
261	0163R00006	HEATER, CRANKCASE 230V, 40W (M1, M2, M3, M4, M5, M6, M7, M8, M9, M10, M11, M12)
261	0163R00007	HEATER, CRANKCASE 230V, 40W (M13, M14, M15, M16, M17, M18, M19, M20, M21, M22)
271	B1339533	COMPRESSOR GROMMET (QTY 4)
281	M0221641	TF SHOULDER SCREW (QTY 4)
291	0130M00106	DISC THERMOSTAT(CRNKCS HTR SW)
NS	0130M00083	REVERSING VALVE HARNESS
NS	B1225022	SOLENOID COIL

**Expanded Model Nomenclature**

M1 - ASZ140181KA
M2 - ASZ140181KC
M3 - ASZ140181KD
M4 - ASZ140241KA
M5 - ASZ140241KB
M6 - ASZ140241KC
M7 - ASZ140301KA
M8 - ASZ140301KB
M9 - ASZ140301KC
M10 - ASZ140361KA
M11 - ASZ140361KB
M12 - ASZ140361KC
M13 - ASZ140421KA
M14 - ASZ140421KB
M15 - ASZ140421KC
M16 - ASZ140481KA
M17 - ASZ140481KB
M18 - ASZ140491KA
M19 - ASZ140491KB
M20 - ASZ140491KC
M21 - ASZ140601KA
M22 - ASZ140601KB