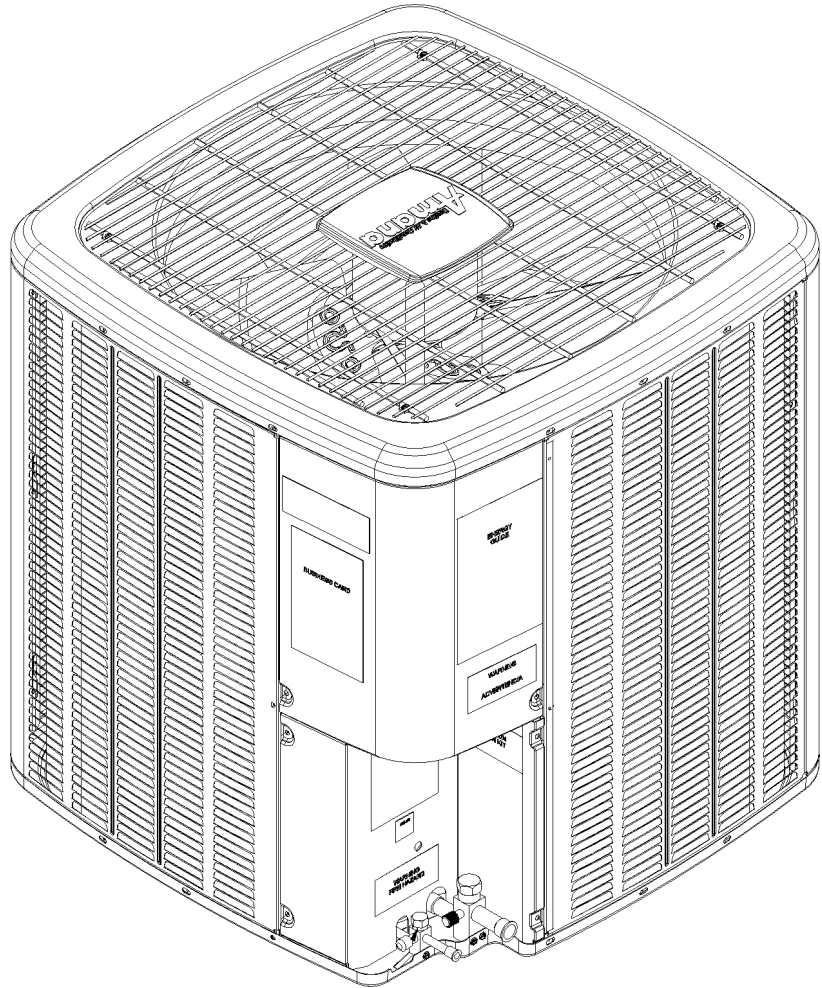


ASZ13 Remote Heat Pump

ASZ130181AF
ASZ130241AG
ASZ130301AG
ASZ130361AG
ASZ130421AH



Amana® is a registered trademark of Maytag Corporation or its related companies and is used under license. All rights reserved.

This manual is to be used by qualified technicians only.

This manual replaces RP-870.

©2014, 2016 Goodman Manufacturing Company, L.P. ♦ 5151 San Felipe St, Suite 500 ♦ Houston, TX 77056

Important Information

Index

Functional Parts List	3
Illustration and Parts	4 - 9

Views shown are for parts illustrations only, not servicing procedures

Text Codes:

AR - As Required

NA - Not Available

NS - Not Shown

00000000 - See Note

QTY - Quantity Example (QTY 3) (If Quantity not shown, Quantity = 1)

M - Model Example (M1) (If M Code not shown, then part is used on all Models)

Expanded Model Nomenclature:

Example M1 - Model#1 M2 - Model#2 M3 - Model#3

Goodman Manufacturing Company, L.P. is not responsible for personal injury or property damage resulting from improper service. Review all service information before beginning repairs.

Warranty service must be performed by an authorized technician, using authorized factory parts. If service is required after the warranty expires, Goodman Manufacturing Company, L.P. also recommends contacting an authorized technician and using authorized factory parts.

Goodman Manufacturing Company, L.P. reserves the right to discontinue, or change at any time, specifications or designs without notice or without incurring obligations.

For assistance within the U.S.A. contact:
Homeowner Support
Goodman Manufacturing Company, L.P.
19001 Kermier Road
Waller, Texas 77484
877-254-4729-Telephone
713-863-2382-Facsimile

For assistance outside the U.S.A. contact:
International Division
Goodman Manufacturing Company, L.P.
19001 Kermier Road
Waller, Texas 77484
713-861-2500-Telephone
713-863-2382-Facsimile

Functional Parts

Part

No: Description:

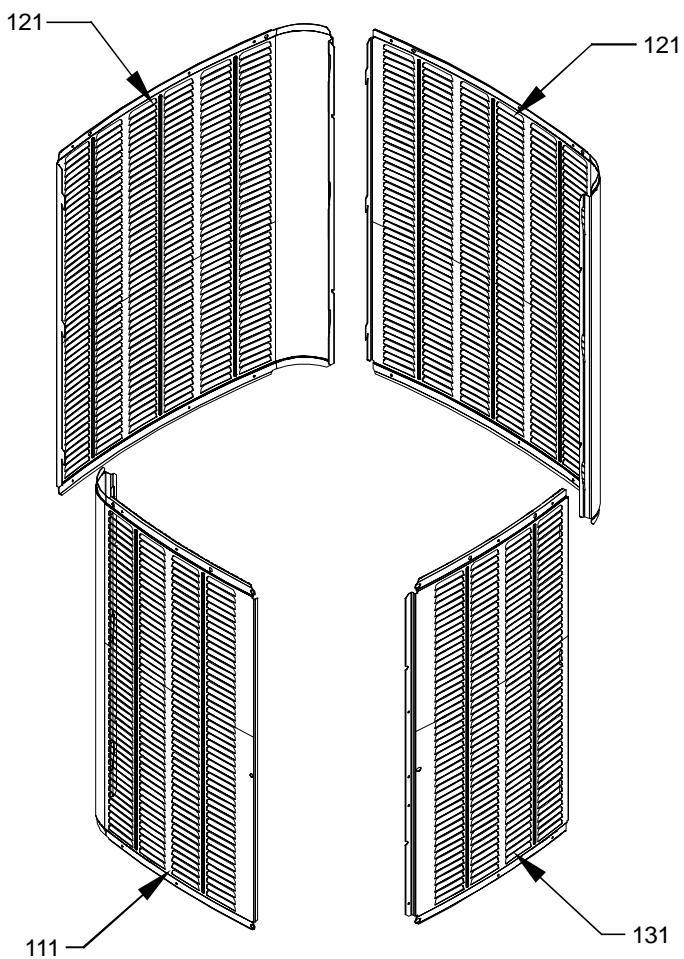
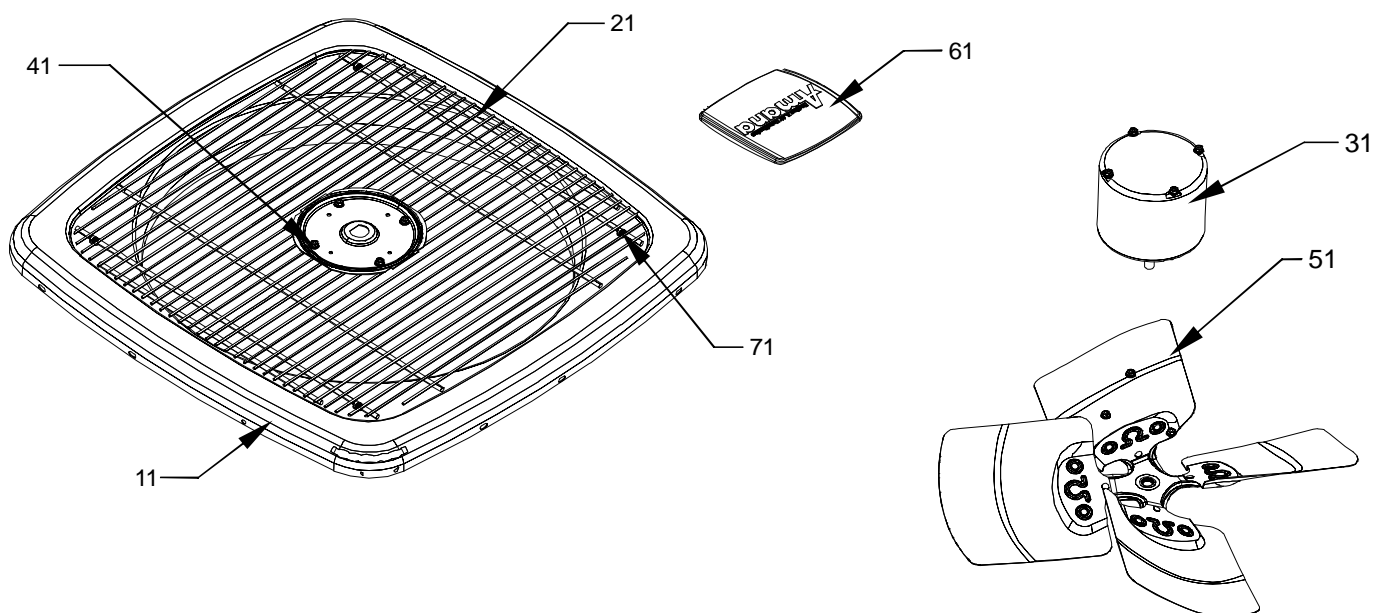
0151R00079	BASE VALVE 3/4" (M1, M2, M3, M4)
0151R00078	BASE VALVE 3/8"
0151R00080	BASE VALVE 7/8" (M5)
CAP050300440CS	CAP,5/30MFD/440V/DUAL RD (M1)
CAP050400440CT	CAPACITOR 5/40/440V/DUAL RD (M2, M3)
CAP050450440CT	CAPACITOR 5/45/440V/DUAL RD (M4, M5)
ZP16K5EPFV130	COMPRESSOR 15500, 208/230/60/1 (M1)
ZP21K5EPFV130	COMPRESSOR 21300, 208/230/60/1 (M2)
ZP25K5EPFV130	COMPRESSOR 25200, 208/230/60/1 (M3)
ZP31K5EPFV130	COMPRESSOR 31100, 208/230/60/1 (M4)
ZP34K5EPFV130	COMPRESSOR 34500, 208/230/60/1 (M5)
0131M00266	COND MOTOR 1/8 HP, 8 PL, PSC (M1, M2, M3)
0131M00753	COND MOTOR, 1/6HP, 1SP, 8PL, AL (M4, M5)
CONT1P025024V	CONTACTOR 25 AMP, 1P, 24V
0130R00003	CUT-OUT SWITCH, HIGH PRESSURE
0130M00088	CUT-OUT SWITCH, LOW PRESSURE
PCBDM133	DEFROST CONTROL BOARD
0150M00018	FAN BLADE 20" (M1, M2)
0150M00012	FAN BLADE 20" CCW (M3)
0150M00008	FAN BLADE 22" TNT2203-25 (M4, M5)
0163R00006	HEATER, CRANKCASE 230V, 40W (M1, M2, M3, M4)
0163R00007	HEATER, CRANKCASE 230V, 40W (M5)
0151R00071	REVERSING VALVE (M5)
0151R00069	REVERSING VALVE (M4)
0151R00068	REVERSING VALVE (M1, M2, M3)
B1225022	SOLENOID COIL
0130M00106	SWITCH, CRANKCASE HEATER

Expanded Model Nomenclature

M1 - ASZ130181AF
M2 - ASZ130241AG
M3 - ASZ130301AG
M4 - ASZ130361AG
M5 - ASZ130421AH

0161R00008P	AMANA LOGO CAP
0161R00010P	AMANA NAMEPLATE

Cabinet Top / Side Panels



Cabinet Top / Side Panels

Ref. Part No: No:	Description:	Ref. Part No: No:	Description:
<i>Image 1:</i>			
11	0121R00009PDG		VENTURI TOP PANEL 26" (M1, M2, M3)
11	0121R00011PDG		VENTURI TOP PANEL 29" (M4, M5)
21	0152R00010		GRILLE, WIRE 26" TOP (M1, M2, M3)
21	0152R00011		GRILLE, WIRE 29" TOP (M4, M5)
31	0131M00266		COND MOTOR 1/8 HP, 8 PL, PSC (M1, M2, M3)
31	0131M00753		COND MOTOR, 1/6HP, 1SP, 8PL, AL (M4, M5)
41	M0280801		HEX NUT (QTY 4)
51	0150M00018		FAN BLADE 20" (M1, M2)
51	0150M00012		FAN BLADE 20" CCW (M3)
51	0150M00008		FAN BLADE 22" TNT2203-25 (M4, M5)
61	0161R00008P		AMANA LOGO CAP
71	0163M00003P		SCREW #10 X 1/2, A, SLOT, SR, BLACK (QTY 4)
111	4400402PLGB		LOUVERED SIDE PANEL [LT OF CNTL PNL] (M1, M2, M3)
111	4400458PLGB		LOUVERED SIDE PANEL [LT OF CNTL PNL] (M4, M5)
121	4400407PLGB		LOUVERED SIDE PANEL (M1, M2, M3)
121	4400460PLGB		LOUVERED SIDE PANEL 29_36 (M4, M5)
131	4400412PLG		LOUVERED SIDE PANEL [RT OF CNTL PNL] (M1, M2, M3)
131	4400462PLG		LOUVERED SIDE PANEL [RT OF CNTL PNL] (M4, M5)

Expanded Model Nomenclature

M1 - ASZ130181AF
M2 - ASZ130241AG
M3 - ASZ130301AG
M4 - ASZ130361AG
M5 - ASZ130421AH

Control Panel & Cover / Condenser

Image 1

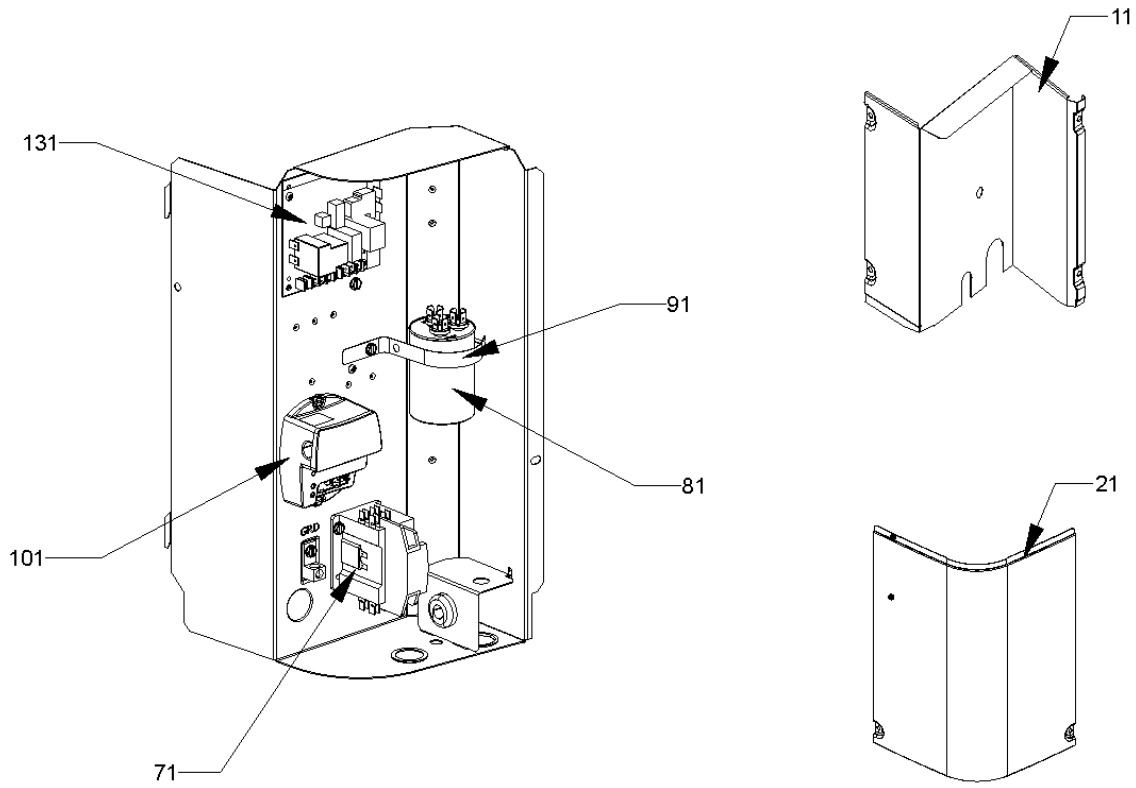
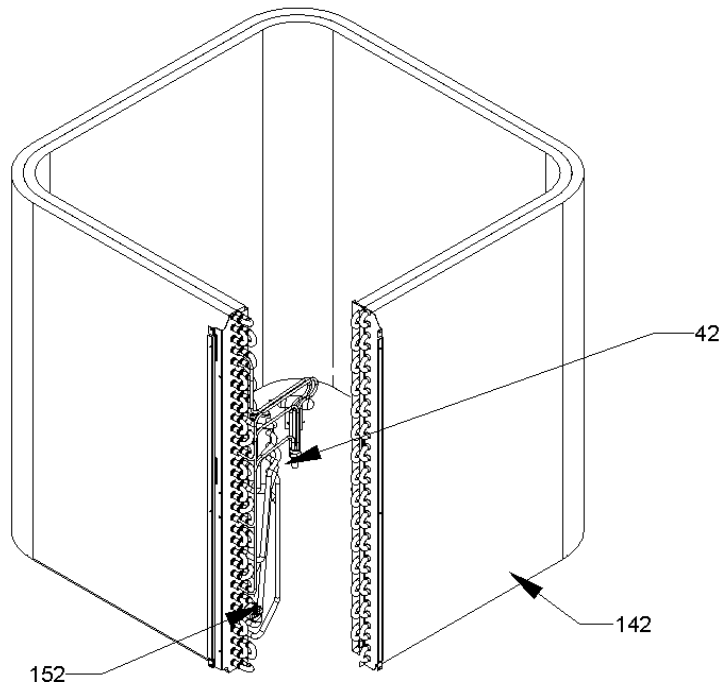


Image 2



Control Panel & Cover / Condenser

Ref. Part No: No:	Description:	Ref. Part No: No:	Description:
-------------------	--------------	-------------------	--------------

Image 1:

11	0121R00318PDG	LOWER ACCESS PANEL (M4, M5)
11	0121R00663PDG	LOWER ACCESS PANEL (M1, M2, M3)
21	0121R00053PDG	CONTROL COVER
71	CONT1P025024V	CONTACTOR 25 AMP, 1P, 24V
81	CAP050300440CS	CAP,5/30MFD/440V/DUAL RD (M1)
81	CAP050400440CT	CAPACITOR 5/40/440V/DUAL RD (M2, M3)
81	CAP050450440CT	CAPACITOR 5/45/440V/DUAL RD (M4, M5)
91	4400065	CAPACITOR STRAP
101	571006700	CORE SENSE MODULE
131	PCBDM133	DEFROST CONTROL BOARD
NS	0161R00010P	AMANA NAMEPLATE
NS	0130M00106	CONTROL, DEFROST

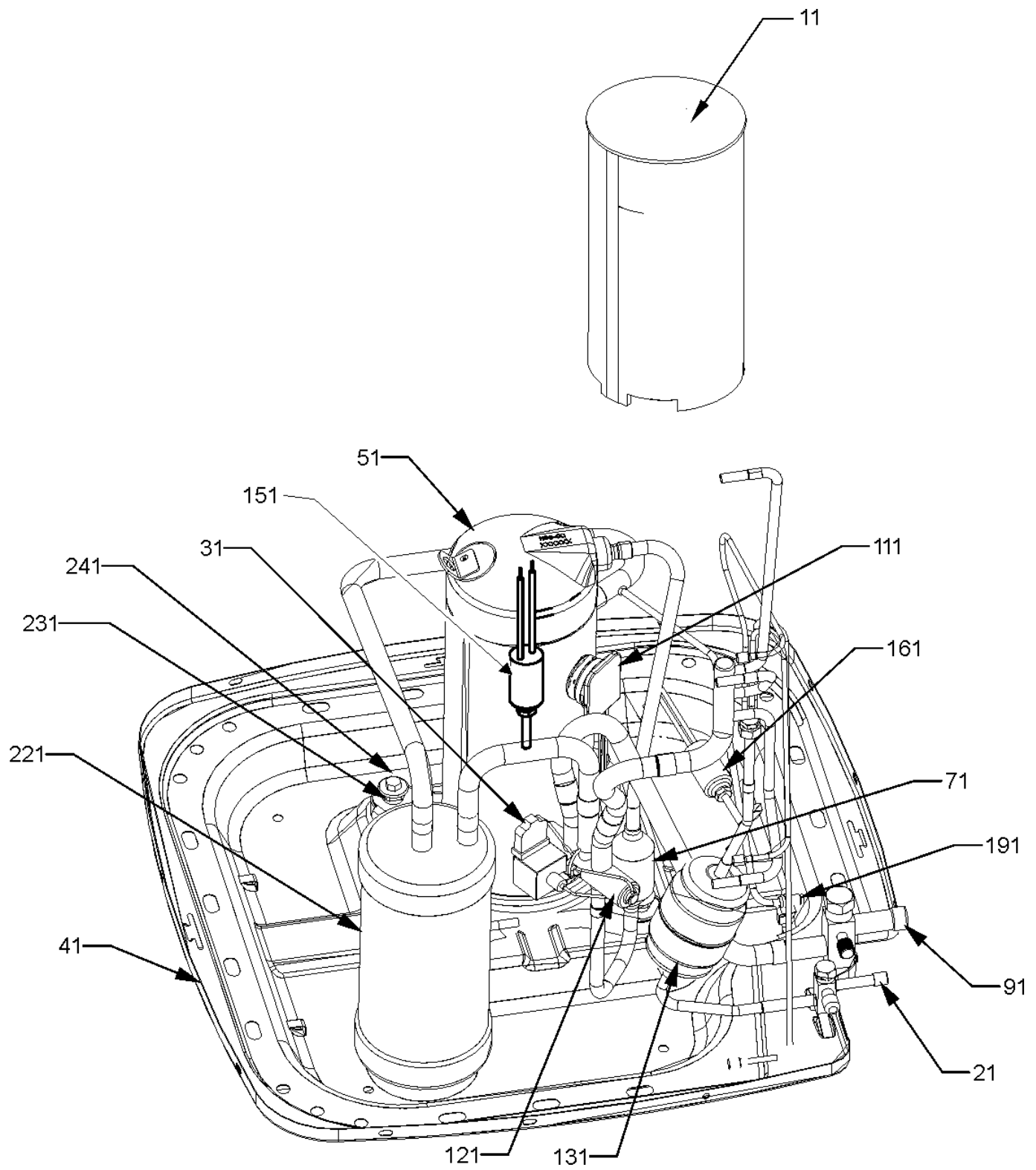
Image 2:

42	B1789872	FLOW CHECK PISTON KIT (M5)
42	B1789851	FLOW CHECK PISTON KIT .051 (M1)
42	B1789857	FLOW CHECK PISTON KIT .057 (M2)
42	B1789865	FLOW CHECK PISTON KIT .065 (M3)
42	B1789868	FLOW CHECK PISTON KIT .068 (M4)
142	0201R00150s	TUBING ASSY, COND COIL (M1)
142	0201R00151S	TUBING ASSY, COND COIL (M4)
142	0201R00152S	TUBING ASSY, COND COIL (M5)
142	0201R00324	TUBING ASSY, COND COIL (M2)
142	0201R00325	TUBING ASSY, COND COIL (M3)
152	0130M00105	CONTROL, DEFROST

Expanded Model Nomenclature

M1 - ASZ130181AF
M2 - ASZ130241AG
M3 - ASZ130301AG
M4 - ASZ130361AG
M5 - ASZ130421AH

Basepan / Compressor / Tubing Assy



Basepan / Compressor / Tubing Assy

Ref. Part No: No:	Description:	Ref. Part No: No:	Description:
Image 1:			
11	B1488807		COMPRESSOR SOUND BLANKET (M5)
11	B1488810		COMPRESSOR SOUND BLANKET (M1, M2, M3, M4)
21	0151R00078		BASE VALVE 3/8"
31	0130M00083		REVERSING VALVE HARNESS
41	0121R00005PDG		BASE PAN 26" (M1, M2, M3)
41	0121R00006PDG		BASE PAN 29" (M4, M5)
51	ZP16K5EPFV130		COMPRESSOR 15500, 208/230/60/1 (M1)
51	ZP21K5EPFV130		COMPRESSOR 21300, 208/230/60/1 (M2)
51	ZP25K5EPFV130		COMPRESSOR 25200, 208/230/60/1 (M3)
51	ZP31K5EPFV130		COMPRESSOR 31100, 208/230/60/1 (M4)
51	ZP34K5EPFV130		COMPRESSOR 34500, 208/230/60/1 (M5)
71	0162R00007		MUFFLER 1/2 X 1/2
91	0151R00079		BASE VALVE 3/4" (M1, M2, M3, M4)
91	0151R00080		BASE VALVE 7/8" (M5)
111	0159R00000P		COMPRESSOR SCROLL HARNESS (M1, M2, M3)
111	0159R00001P		COMPRESSOR SCROLL HARNESS (M4, M5)
121	0151R00068		REVERSING VALVE (M1, M2, M3)
121	0151R00069		REVERSING VALVE (M4)
121	0151R00071		REVERSING VALVE (M5)
131	20485201		BI-FLOW FILTER DRIER
151	0130M00088		CUT-OUT SWITCH, LOW PRESSURE
161	0130R00003		CUT-OUT SWITCH, HIGH PRESSURE
191	B1787000		VALVE CORE
221	B1226206		ACCUMULATOR (M1, M2, M3)
221	0151R00004P		ACCUMULATOR .750 (M4)
221	B1226207		ACCUMULATOR .875 (M5)
231	B1339533		COMPRESSOR GROMMET (QTY 4)
241	M0221641		TF SHOULDER SCREW (QTY 4)
NS	0163R00006		HEATER, CRANKCASE 230V, 40W (M1, M2, M3, M4)
NS	0163R00007		HEATER, CRANKCASE 230V, 40W (M5)
NS	B1225022		SOLENOID COIL
NS	0130M00106		SWITCH, CRANKCASE HEATER

Expanded Model Nomenclature

M1 - ASZ130181AF
M2 - ASZ130241AG
M3 - ASZ130301AG
M4 - ASZ130361AG
M5 - ASZ130421AH