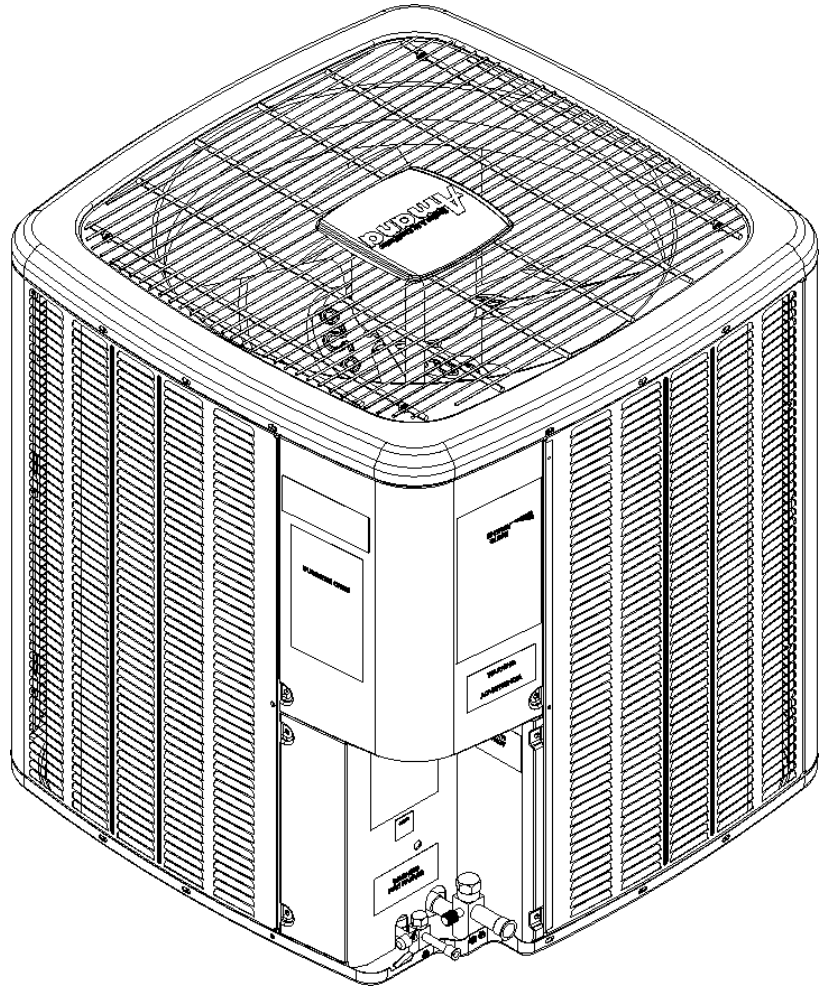


## ASX14 Remote Condensing Unit

ASX140181CB  
ASX140181DA  
ASX140181DB  
ASX140181DC  
ASX140181DD  
ASX140241CB  
ASX140241CC  
ASX140241CD  
ASX140241CE  
ASX140301CB  
ASX140301CC  
ASX140301CD  
ASX140301CE  
ASX140361CB  
ASX140361CC  
ASX140361CD  
ASX140361CE  
ASX140421DB  
ASX140421DC  
ASX140421DD  
ASX140421DE  
ASX140481CB  
ASX140481CC  
ASX140481CD  
ASX140481CE  
ASX140601BB  
ASX140601BC  
ASX140601BD  
ASX140601BE



Amana® is a registered trademark of Maytag Corporation or its related companies and is used under license to Goodman Company, L.P., Houston, TX, USA. All rights reserved.

This manual is to be used by qualified technicians only.

This manual replaces RP-729C.

© 2012-2014 Goodman Manufacturing Company, L.P. ♦ 5151 San Felipe St., Suite 500 ♦ Houston, TX 77056

# Important Information

---

## Index

Functional Parts List .....	3
Illustration and Parts .....	4 - 9

*Views shown are for parts illustrations only, not servicing procedures*

### Text Codes:

AR - As Required

NA - Not Available

NS - Not Shown

00000000 - See Note

QTY - Quantity Example (QTY 3) (If Quantity not shown, Quantity = 1)

M - Model Example (M1) (If M Code not shown, then part is used on all Models)

### Expanded Model Nomenclature:

Example M1 - Model#1 M2 - Model#2 M3 - Model#3
---

Goodman Manufacturing Company, L.P. is not responsible for personal injury or property damage resulting from improper service. Review all service information before beginning repairs.

Warranty service must be performed by an authorized technician, using authorized factory parts. If service is required after the warranty expires, Goodman Manufacturing Company, L.P. also recommends contacting an authorized technician and using authorized factory parts.

Goodman Manufacturing Company, L.P. reserves the right to discontinue, or change at any time, specifications or designs without notice or without incurring obligations.

For assistance within the U.S.A. contact:  
Consumer Affairs Department  
Goodman Manufacturing Company, L.P.  
7401 Security Way  
Houston, Texas 77040  
877-254-4729-Telephone  
713-863-2382-Facsimile

For assistance outside the U.S.A. contact:  
International Division  
Goodman Manufacturing Company, L.P.  
7401 Security Way  
Houston, Texas 77040  
713-861-2500-Telephone  
713-863-2382-Facsimile

# Functional Parts

**Part No:**            **Description:**

B12825171	3/8" SERVICE VALVE
CAP050350440CS	CAP, 5/35 MFD/440V/DUAL RD (M6, M7, M8, M9)
CAP050400440RTP	CAP, 5/40 MFD/440V/DUAL RD (M10, M11, M12, M13)
CAP050450440RTP	CAP, 5/45 MFD/440V/DUAL RD (M14, M15, M16, M17, M18, M19, M20, M21, M22, M23, M24, M25)
CAP050700440RTP	CAP, 5/70 MFD/440V/DUAL RD (M26, M27, M28, M29)
CAP050300440RSS	CAPACITOR 5/30/370V (M1, M2, M3, M4, M5)
ZP20K5EPFV130	COMP,20000,208/230/60/1 (M6, M7, M8, M9)
ZP38K5EPFV130	COMP,37500,208/230/60/1 (M22, M23, M24, M25)
ZP16K5EPFV130	COMPRESSOR 15500, 208/230/60/1 (M1, M2, M3, M4, M5)
ZP24K5EPFV130	COMPRESSOR 24000, 208/230/60/1 (M10, M11, M12, M13)
ZP29K5EPFV130	COMPRESSOR 29000, 208/230/60/1 (M14, M15, M16, M17)
ZP31K5EPFV130	COMPRESSOR 31100, 208/230/60/1 (M18, M19, M20, M21)
ZP51K5EPFV130	COMPRESSOR 51000, 208/230/60/1 (M26, M27, M28, M29)
0131M00027	COND MOTOR 1/12 HP, 2 SP, 8 PL (M6)
0131M00015P	COND MOTOR 1/4 HP, 2 SP, 8 PL (M26)
0131M00016P	COND MOTOR 1/6 HP, 1 SP, 8 PL (M11, M12, M13, M15, M16, M17, M19, M20, M21)
0131M00061	COND MOTOR, 1/4HP, 1SP, 8PL (M22, M23, M24, M25, M27, M28, M29)
0131M00266	COND MOTOR, 1/8 HP 8 PL PSC (M2, M3, M4, M5, M7, M8, M9)
CONT1P025024V	CONTACTOR 25 AMP, 1P, 24V (M1, M2, M3, M4, M5, M6, M7, M8, M9, M10, M11, M12, M13, M14, M15, M16, M17, M18, M19, M20, M21)
CONT1P030024V	CONTACTOR 30 AMP, 1P, 24V (M22, M23, M24, M25, M26, M27, M28, M29)
571006600	CoreSense Module
0150M00001P	FAN BLADE 20 INCH (M6, M7, M8, M9)
0150M00018	FAN BLADE 20" (M2, M3, M4, M5)
0150M00012	FAN BLADE 20" CCW (M1)
0150M00008	FAN BLADE 22" TNT2203-25 (M14, M15, M16, M17, M18, M19, M20, M21)
10625738	FAN BLADE 26" ALUM CCW (M22, M23, M24, M25, M26, M27, M28, M29)
B1086764	FAN BLADE TYPE 2 (M10, M11, M12, M13)
0130R00055	HIGH PRESSURE SWITCH (M2, M7, M11, M15, M19, M22, M27)
0130R00003	HIGH PRESSURE SWITCH (M1, M3, M4, M5, M6, M8, M9, M10, M12, M13, M14, M16, M17, M18, M20, M21, M23, M24, M25, M26, M28, M29)
0130M00082	LOW PRESSURE SWITCH (M1, M3, M4, M5, M6, M8, M9, M10, M12, M13, M14, M16, M17, M18, M20, M21, M23, M24, M25, M26, M28, M29)
0131M00017P	MOTOR, FAN 1/6 HP, 8 PL, 2 SP (M1, M10, M14, M18)
0151R00032	VALVE, BASE 3/4" OPEN LEFT (M1, M2, M3, M4, M5, M6, M7, M8, M9, M10, M11, M12, M13, M14, M15, M16, M17)
0151R00033	VALVE, BASE 7/8" OPEN LEFT (M18, M19, M20, M21, M22, M23, M24, M25, M26, M27, M28, M29)

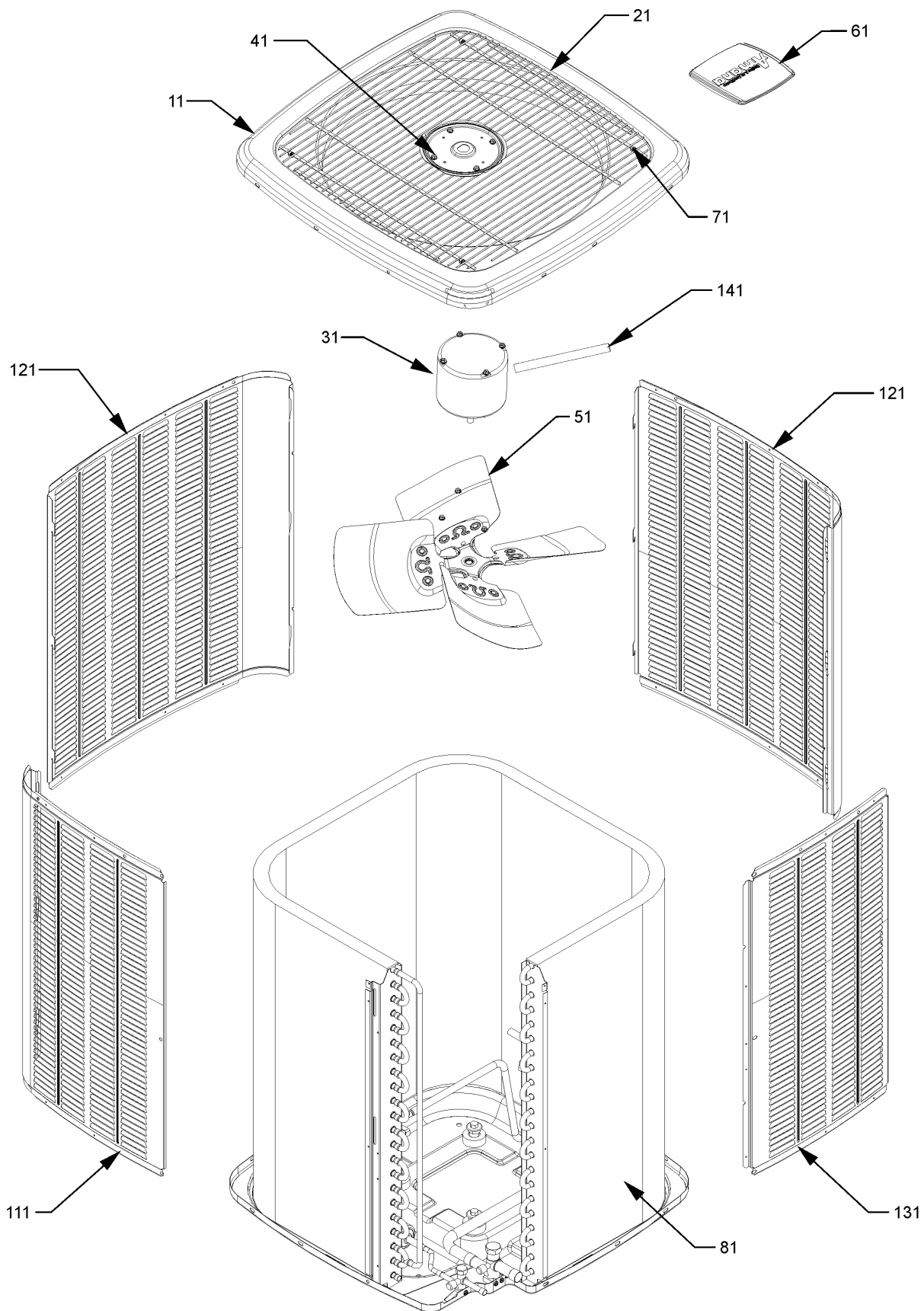
## SPECIAL PARTS

0161R00008P	AMANA LOGO CAP
0161R00010P	AMANA NAMEPLATE

## Expanded Model Nomenclature

M1 - ASX140181CB
M2 - ASX140181DA
M3 - ASX140181DB
M4 - ASX140181DC
M5 - ASX140181DD
M6 - ASX140241CB
M7 - ASX140241CC
M8 - ASX140241CD
M9 - ASX140241CE
M10 - ASX140301CB
M11 - ASX140301CC
M12 - ASX140301CD
M13 - ASX140301CE
M14 - ASX140361CB
M15 - ASX140361CC
M16 - ASX140361CD
M17 - ASX140361CE
M18 - ASX140421DB
M19 - ASX140421DC
M20 - ASX140421DD
M21 - ASX140421DE
M22 - ASX140481CB
M23 - ASX140481CC
M24 - ASX140481CD
M25 - ASX140481CE
M26 - ASX140601BB
M27 - ASX140601BC
M28 - ASX140601BD
M29 - ASX140601BE

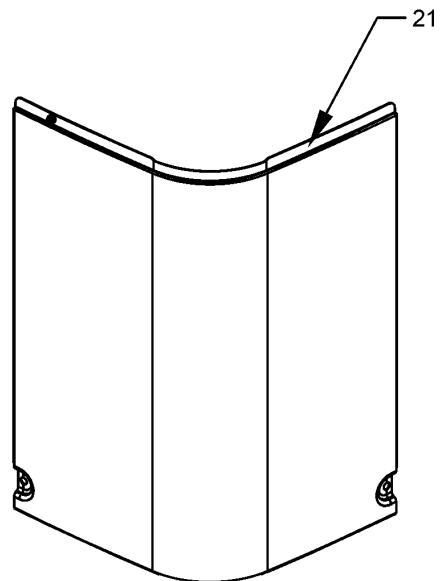
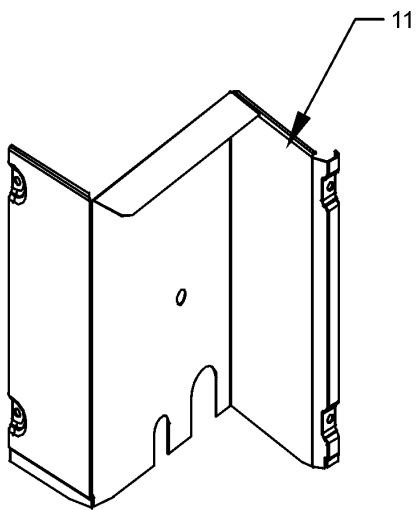
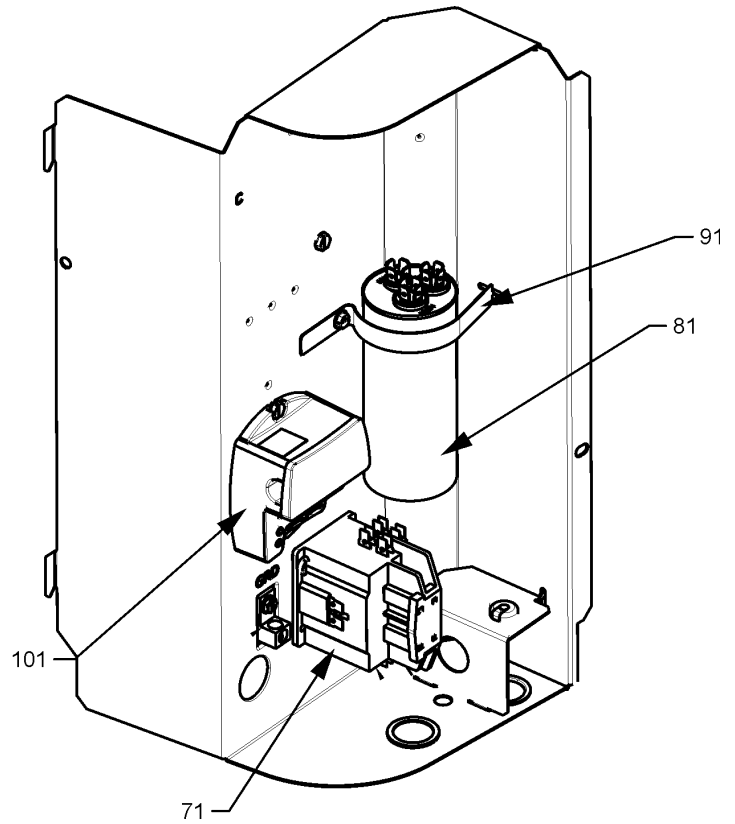
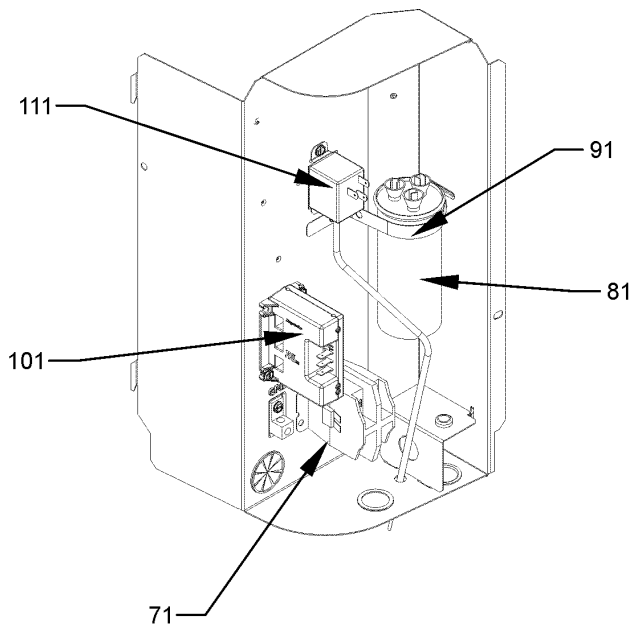
# Top Panel Assembly / Louvered Panels



# Top Panel Assembly / Louvered Panels

Ref. Part No:	Description:	Ref. Part No:	Description:
<b>Image 1:</b>		<b>Image 1:</b>	
11	0121R00009PDG VENTURI TOP PANEL 26" (M1, M2, M3, M4, M5, M6, M7, M8, M9)	121	0121R00205PLGB LOUVERED SIDE PANEL (M18, M19, M20, M21)
11	0121R00011PDG VENTURI TOP PANEL 29" (M10, M11, M12, M13, M14, M15, M16, M17, M18, M19, M20, M21)	121	0121R00243PLGB LOUVERED SIDE PANEL (M22, M23, M24, M25)
11	0121R00013PDG VENTURI TOP PANEL 35" (M22, M23, M24, M25, M26, M27, M28, M29)	121	4400466PLGB LOUVERED SIDE PANEL (M26, M27, M28, M29)
21	0152R00010 GRILLE, WIRE 26" TOP (M1, M2, M3, M4, M5, M6, M7, M8, M9)	131	0121R00193PLG LOUVERED SIDE PANEL [RT OF CNTL PNL] (M10, M11, M12, M13, M14, M15, M16, M17)
21	0152R00011 GRILLE, WIRE 29" TOP (M10, M11, M12, M13, M14, M15, M16, M17, M18, M19, M20, M21)	131	0121R00194PLG LOUVERED SIDE PANEL [RT OF CNTL PNL] (M18, M19, M20, M21)
21	0152R00014 GRILLE, WIRE 35" TOP (M22, M23, M24, M25, M26, M27, M28, M29)	131	0121R00196PLG LOUVERED SIDE PANEL [RT OF CNTL PNL] (M1, M2, M3, M4, M5)
31	0131M00027 COND MOTOR 1/12 HP, 2 SP, 8 PL (M6)	131	0121R00197PLG LOUVERED SIDE PANEL [RT OF CNTL PNL] (M6, M7, M8, M9)
31	0131M00015P COND MOTOR 1/4 HP, 2 SP, 8 PL (M26)	131	0121R00247PLG LOUVERED SIDE PANEL [RT OF CNTL PNL] (M22, M23, M24, M25)
31	0131M00016P COND MOTOR 1/6 HP, 1 SP, 8 PL (M11, M12, M13, M15, M16, M17, M19, M20, M21)	131	4400468PLG LOUVERED SIDE PANEL [RT OF CNTL PNL] (M26, M27, M28, M29)
31	0131M00061 COND MOTOR, 1/4HP, 1SP, 8PL (M22, M23, M24, M25, M27, M28, M29)	141	0161R00000P CONDUIT (M1, M2, M3, M4, M5, M6, M7, M8, M9)
31	0131M00266 COND MOTOR, 1/8 HP 8 PL PSC (M2, M3, M4, M5, M7, M8, M9)	141	0161R00002P CONDUIT (M10, M11, M12, M13, M14, M15, M16, M17, M18, M19, M20, M21)
31	0131M00017P MOTOR, FAN 1/6 HP, 8 PL, 2 SP (M1, M10, M14, M18)	141	0161R00004P CONDUIT (M22, M23, M24, M25, M26, M27, M28, M29)
41	M0280801 HEX NUT (QTY 4)	<b>Expanded Model Nomenclature</b>	
51	0150M00001P FAN BLADE 20 INCH (M6, M7, M8, M9)	M1 - ASX140181CB	
51	0150M00018 FAN BLADE 20" (M2, M3, M4, M5)	M2 - ASX140181DA	
51	0150M00012 FAN BLADE 20" CCW (M1)	M3 - ASX140181DB	
51	0150M00008 FAN BLADE 22" TNT2203-25 (M14, M15, M16, M17, M18, M19, M20, M21)	M4 - ASX140181DC	
51	10625738 FAN BLADE 26" ALUM CCW (M22, M23, M24, M25, M26, M27, M28, M29)	M5 - ASX140181DD	
51	B1086764 FAN BLADE TYPE 2 (M10, M11, M12, M13)	M6 - ASX140241CB	
61	0161R00008P AMANA LOGO CAP	M7 - ASX140241CC	
71	0163M00003P SCREW #10 X 1/2, A, SLOT, SR, BLACK (QTY 6)	M8 - ASX140241CD	
81	0201R00137 TUBING ASSY, COND COIL (M26, M27, M28, M29)	M9 - ASX140241CE	
81	0201R00230 TUBING ASSY, COND COIL (M10, M11, M12, M13)	M10 - ASX140301CB	
81	0201R00251 TUBING ASSY, COND COIL (M6, M7, M8, M9)	M11 - ASX140301CC	
81	0201R00271 TUBING ASSY, COND COIL (M1, M2, M3)	M12 - ASX140301CD	
81	0201R00278 TUBING ASSY, COND COIL (M14, M15, M16, M17)	M13 - ASX140301CE	
81	0201R00311 TUBING ASSY, COND COIL (M22, M23)	M14 - ASX140361CB	
81	0201R00315 TUBING ASSY, COND COIL (M18, M19, M20, M21)	M15 - ASX140361CC	
81	0201R00385 TUBING ASSY, COND COIL (M24, M25)	M16 - ASX140361CD	
81	0201R00521 TUBING ASSY, COND COIL (M4, M5)	M17 - ASX140361CE	
111	4400464PLGB LOUVERED SIDE PANEL [LT OF CNTL PNL] (M26, M27, M28, M29)	M18 - ASX140421DB	
111	0121R00200PLGB LOUVERED SIDE PANEL [LT OF CNTL PNL] (M10, M11, M12, M13, M14, M15, M16, M17)	M19 - ASX140421DC	
111	0121R00202PLGB LOUVERED SIDE PANEL [LT OF CNTL PNL] (M18, M19, M20, M21)	M20 - ASX140421DD	
111	0121R00207PLGB LOUVERED SIDE PANEL [LT OF CNTL PNL] (M1, M2, M3, M4, M5)	M21 - ASX140421DE	
111	0121R00208PLGB LOUVERED SIDE PANEL [LT OF CNTL PNL] (M6, M7, M8, M9)	M22 - ASX140481CB	
111	0121R00239PLGB LOUVERED SIDE PANEL [LT OF CNTL PNL] (M22, M23, M24, M25)	M23 - ASX140481CC	
121	0121R00198PLGB LOUVERED SIDE PANEL (M1, M2, M3, M4, M5)	M24 - ASX140481CD	
121	0121R00199PLGB LOUVERED SIDE PANEL (M6, M7, M8, M9)	M25 - ASX140481CE	
121	0121R00204PLGB LOUVERED SIDE PANEL (M10, M11, M12, M13, M14, M15, M16, M17)	M26 - ASX140601BB	
		M27 - ASX140601BC	
		M28 - ASX140601BD	
		M29 - ASX140601BE	

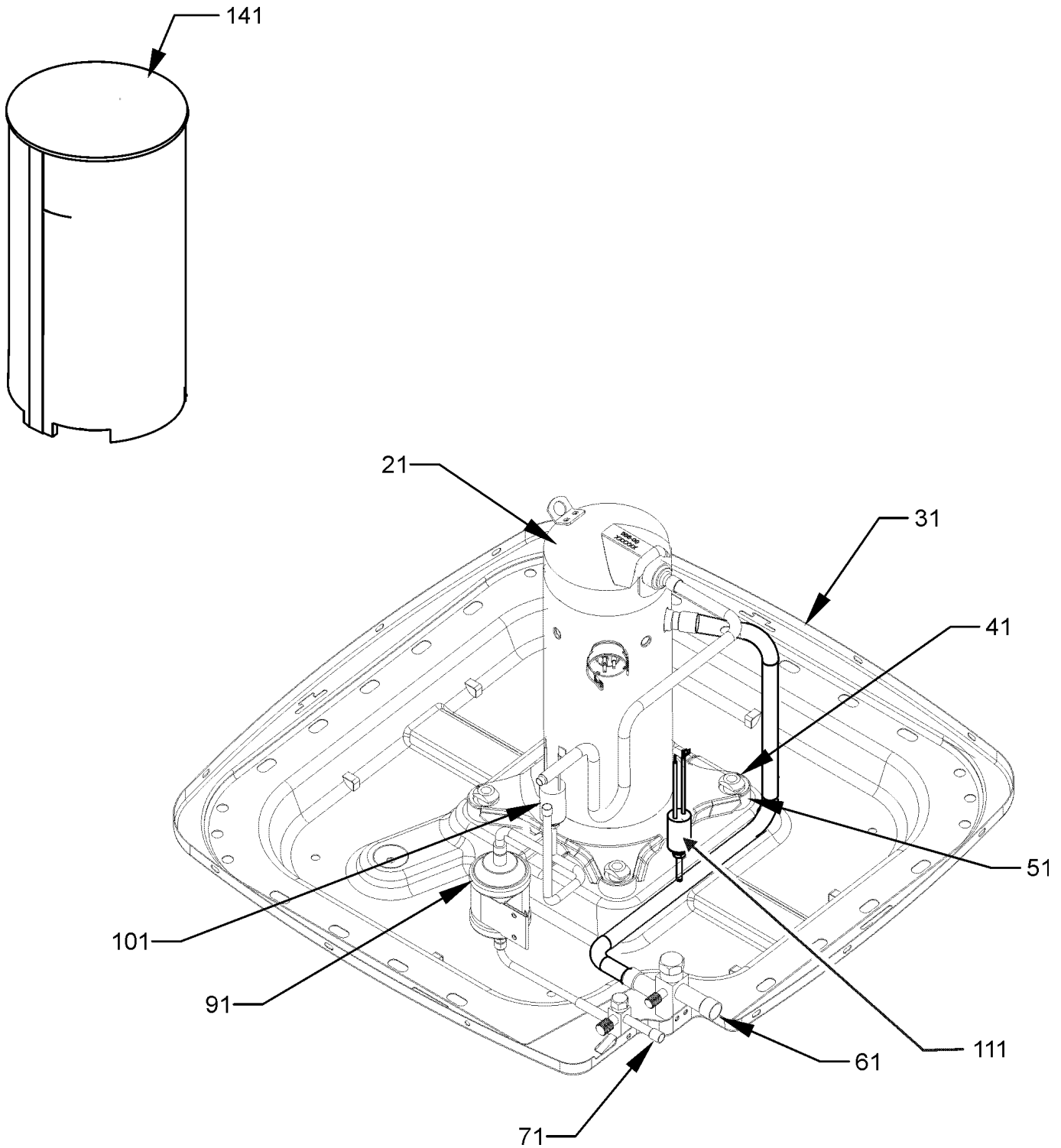
# Control Box and Cover



# Control Box and Cover

Ref. Part No:	Description:	Ref. Part No:	Description:
<i>Image 1:</i>		<b>Expanded Model Nomenclature</b>	
11	0121R00318PDG PANEL, LOWER ACCESS PNT (M26, M27, M28, M29)	M1	- ASX140181CB
11	0121R00319PDG PANEL, LOWER ACCESS PNT (M18, M19, M20, M21, M22, M23, M24, M25)	M2	- ASX140181DA
11	0121R00322PDG PANEL, LOWER ACCESS PNT (M6, M7, M8, M9, M10, M11, M12, M13, M14, M15, M16, M17)	M3	- ASX140181DB
11	0121R00326PDG PANEL, LOWER ACCESS PNT (M1, M2, M3, M4, M5)	M4	- ASX140181DC
21	0121R00053PDG CONTROL COVER	M5	- ASX140181DD
71	CONT1P025024V CONTACTOR 25 AMP, 1P, 24V (M1, M2, M3, M4, M5, M6, M7, M8, M9, M10, M11, M12, M13, M14, M15, M16, M17, M18, M19, M20, M21)	M6	- ASX140241CB
71	CONT1P030024V CONTACTOR 30 AMP, 1P, 24V (M22, M23, M24, M25, M26, M27, M28, M29)	M7	- ASX140241CC
81	CAP050350440CS CAP, 5/35 MFD/440V/DUAL RD (M6, M7, M8, M9)	M8	- ASX140241CD
81	CAP050400440RTP CAP, 5/40 MFD/440V/DUAL RD (M10, M11, M12, M13)	M9	- ASX140241CE
81	CAP050450440RTP CAP, 5/45 MFD/440V/DUAL RD (M14, M15, M16, M17, M18, M19, M20, M21, M22, M23, M24, M25)	M10	- ASX140301CB
81	CAP050700440RTP CAP, 5/70 MFD/440V/DUAL RD (M26, M27, M28, M29)	M11	- ASX140301CC
81	CAP050300440RSS CAPACITOR 5/30/370V (M1, M2, M3, M4, M5)	M12	- ASX140301CD
91	4400065 CAPACITOR STRAP	M13	- ASX140301CE
101	571006600 CoreSense Module	M14	- ASX140361CB
111	0130M00011P LOW AMBIENT THERMOSTAT, SPDT (M1, M6, M10, M14, M18, M26)	M15	- ASX140361CC
NS	0161R00010P AMANA NAMEPLATE	M16	- ASX140361CD
		M17	- ASX140361CE
		M18	- ASX140421DB
		M19	- ASX140421DC
		M20	- ASX140421DD
		M21	- ASX140421DE
		M22	- ASX140481CB
		M23	- ASX140481CC
		M24	- ASX140481CD
		M25	- ASX140481CE
		M26	- ASX140601BB
		M27	- ASX140601BC
		M28	- ASX140601BD
		M29	- ASX140601BE

# Compressor / Tubing Assembly





# Compressor / Tubing Assembly

**Ref. Part  
No: No:**

**Description:**

**Ref. Part  
No: No:**

**Description:**

**Image 1:**

21	ZP20K5EPFV130	COMP,20000,208/230/60/1 (M6, M7, M8, M9)
21	ZP38K5EPFV130	COMP,37500,208/230/60/1 (M22, M23, M24, M25)
21	ZP16K5EPFV130	COMPRESSOR 15500, 208/230/60/1 (M1, M2, M3, M4, M5)
21	ZP24K5EPFV130	COMPRESSOR 24000, 208/230/60/1 (M10, M11, M12, M13)
21	ZP29K5EPFV130	COMPRESSOR 29000, 208/230/60/1 (M14, M15, M16, M17)
21	ZP31K5EPFV130	COMPRESSOR 31100, 208/230/60/1 (M18, M19, M20, M21)
21	ZP51K5EPFV130	COMPRESSOR 51000, 208/230/60/1 (M26, M27, M28, M29)
31	0121R00005PDG	BASE PAN 26" (M1, M2, M3, M4, M5, M6, M7, M8, M9)
31	0121R00006PDG	BASE PAN 29" (M10, M11, M12, M13, M14, M15, M16, M17, M18, M19, M20, M21)
31	0121R00007PDG	BASE PAN 35" (M22, M23, M24, M25, M26, M27, M28, M29)
41	M0221641	TF SHOULDER SCREW (QTY 4)
51	B1339533	COMPRESSOR GROMMET (QTY 4)
61	0151R00032	VALVE, BASE 3/4" OPEN LEFT (M1, M2, M3, M4, M5, M6, M7, M8, M9, M10, M11, M12, M13, M14, M15, M16, M17)
61	0151R00033	VALVE, BASE 7/8" OPEN LEFT (M18, M19, M20, M21, M22, M23, M24, M25, M26, M27, M28, M29)
71	B12825171	3/8" SERVICE VALVE
91	0162R00009	FILTER DRIER
101	0130R00003	HIGH PRESSURE SWITCH (M1, M3, M4, M5, M6, M8, M9, M10, M12, M13, M14, M16, M17, M18, M20, M21, M23, M24, M25, M26, M28, M29)
101	0130R00055	HIGH PRESSURE SWITCH (M2, M7, M11, M15, M19, M22, M27)
111	0130M00082	LOW PRESSURE SWITCH (M1, M3, M4, M5, M6, M8, M9, M10, M12, M13, M14, M16, M17, M18, M20, M21, M23, M24, M25, M26, M28, M29)
141	B1488806	COMPRESSOR SOUND BLANKET (M23, M28,
141	B1488810	COMPRESSOR SOUND BLANKET (M1, M3, M8, M9, M12, M13, M16, M17, M20, M21)
NS	0159R00000P	COMPRESSOR SCROLL HARNESS (M1, M2, M3, M4, M5, M6, M7, M8, M9, M10, M11, M12, M13, M14, M15, M16, M17)
NS	0159R00002P	COMPRESSOR SCROLL HARNESS (M18, M19, M20, M21, M22, M23, M24, M25, M26, M27, M28, M29)

**Expanded Model Nomenclature**

M1 - ASX140181CB
M2 - ASX140181DA
M3 - ASX140181DB
M4 - ASX140181DC
M5 - ASX140181DD
M6 - ASX140241CB
M7 - ASX140241CC
M8 - ASX140241CD
M9 - ASX140241CE
M10 - ASX140301CB
M11 - ASX140301CC
M12 - ASX140301CD
M13 - ASX140301CE
M14 - ASX140361CB
M15 - ASX140361CC
M16 - ASX140361CD
M17 - ASX140361CE
M18 - ASX140421DB
M19 - ASX140421DC
M20 - ASX140421DD
M21 - ASX140421DE
M22 - ASX140481CB
M23 - ASX140481CC
M24 - ASX140481CD
M25 - ASX140481CE
M26 - ASX140601BB
M27 - ASX140601BC
M28 - ASX140601BD
M29 - ASX140601BE