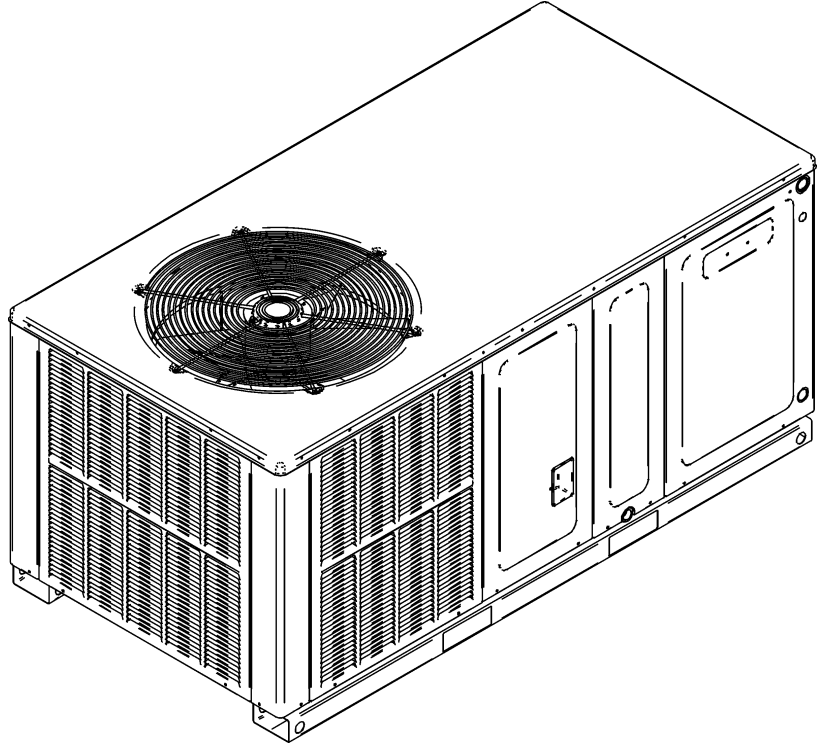


## APH16 Horizontal Package Heat Pump

APH1624H41AA  
APH1630H41AA  
APH1636H41AA  
APH1642H41AA  
APH1648H41AA



Amana® is a registered trademark of Maytag Corporation or its related companies and is used under license to Goodman Company, L.P., Houston, TX, USA. All rights reserved.

This manual is to be used by qualified technicians only.

# Important Information

---

## Index

Functional Parts List .....	3
Illustration and Parts .....	4 - 11

*Views shown are for parts illustrations only, not servicing procedures*

### Text Codes:

AR - As Required

NA - Not Available

NS - Not Shown

00000000 - See Note

QTY - Quantity Example (QTY 3) (If Quantity not shown, Quantity = 1)

M - Model Example (M1) (If M Code not shown, then part is used on all Models)

### Expanded Model Nomenclature:

Example M1 - Model#1 M2 - Model#2 M3 - Model#3
---

Goodman Company, L.P. is not responsible for personal injury or property damage resulting from improper service. Review all service information before beginning repairs.

Warranty service must be performed by an authorized technician, using authorized factory parts. If service is required after the warranty expires, Goodman Company, L.P. also recommends contacting an authorized technician and using authorized factory parts.

Goodman Company, L.P. reserves the right to discontinue, or change at any time, specifications or designs without notice or without incurring obligations.

For assistance within the U.S.A. contact:

Consumer Affairs Department

Goodman Company, L.P.

7401 Security Way

Houston, Texas 77040

877-254-4729-Telephone

713-863-2382-Facsimile

For assistance outside the U.S.A. contact:

International Division

Goodman Company, L.P.

7401 Security Way

Houston, Texas 77040

713-861-2500-Telephone

713-863-2382-Facsimile

# Functional Parts

## Part

## No: Description:

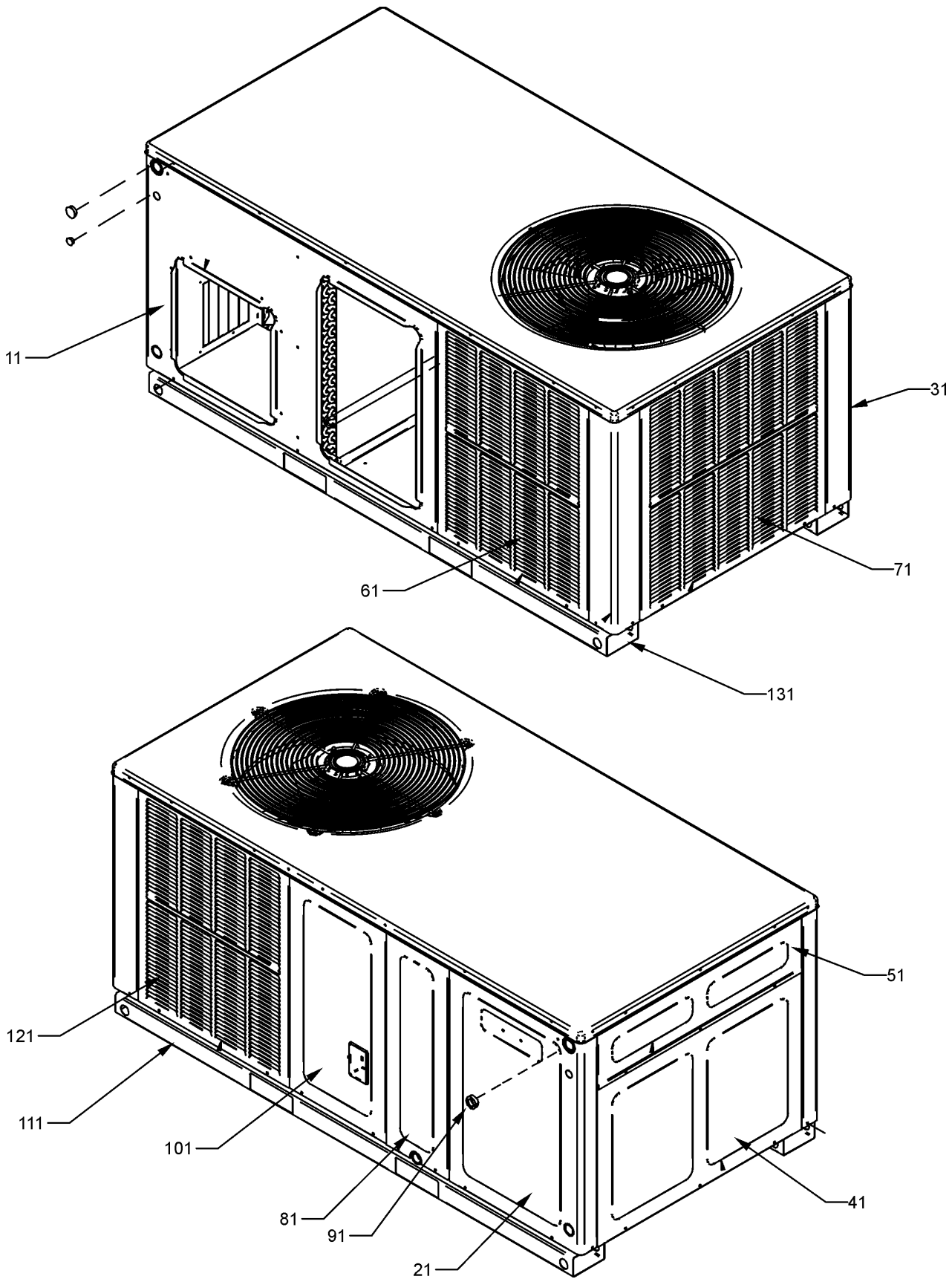
---

B1370751	24V RELAY (M5)
B1368016	BLOWER WHEEL 10 X 8
CAP050300440RS	CAPACITOR 5/30/370V (M5)
CAP050400440CT	CAPACITOR 5/40/440V/DUAL RD (M1, M2)
CAP050450440CT	CAPACITOR 5/45/440V/DUAL RD (M3, M4)
ZP21K5EPFV130	COMPRESSOR 21300, 208/230/60/1 (M1)
ZP25K5EPFV130	COMPRESSOR 25200, 208/230/60/1 (M2)
ZP31K5EPFV130	COMPRESSOR 31100, 208/230/60/1 (M3)
ZP34K5EPFV130	COMPRESSOR 34500, 208/230/60/1 (M4)
ZPS40K5EPFV130	COMPRESSOR 41100, 208/230/60/1 (M5)
0131M00061	COND MOTOR 1/4 HP, 1 SP, 8 PL (M3)
0131M00429	COND MOTOR 1/4 HP, 1 SP, 6 PL (M4, M5)
0131M00009P	COND MOTOR 1/6 HP, 1 SP, 8 PL (M1, M2)
CONT1P025024V	CONTACTOR 25 AMP, 1P, 24V (M1, M2, M3)
CONT1P030024V	CONTACTOR 30 AMP, 1P, 24V (M4)
CONT2P040024V	CONTACTOR 40 AMP, 2P, 24V (M5)
0130M00101	CONTROL, DEFROST (M4)
0130M00099	CONTROL, DEFROST (M1, M2, M3, M5)
0130M00074	CUT-OUT SWITCH, HIGH PRESSURE
0130M00075	CUT-OUT SWITCH, LOW PRESSURE
PCBDM133	DEFROST CONTROL BOARD
0150G00005	FAN BLADE (M1, M2)
0150G00004	FAN BLADE (M4, M5)
B1086765	FAN BLADE TYPE 3 (M3)
PCBEM102	PCB, ECM PRIMARY, VSTB
0131M00701	PROGRAMMED MOTOR (M1)
0131M00702	PROGRAMMED MOTOR (M2)
0131M00703	PROGRAMMED MOTOR (M3)
0131M00704	PROGRAMMED MOTOR (M4)
0131M00705	PROGRAMMED MOTOR (M5)
0151R00069	REVERSING VALVE (M1, M2)
0151R00071	REVERSING VALVE (M3, M4, M5)
0130M00138	TRANSFORMER 208/230, 24V

### Expanded Model Nomenclature

M1 - APH1624H41AA
M2 - APH1630H41AA
M3 - APH1636H41AA
M4 - APH1642H41AA
M5 - APH1648H41AA

# Cabinet Assembly



# Cabinet Assembly

Ref. Part No: No:	Description:	Ref. Part No: No:	Description:
-------------------	--------------	-------------------	--------------

---

**Image 1:**

11	0121G00050PDG	DUCT PANEL 27.5" (M1, M2)
11	0121G00051PDG	DUCT PANEL 32.5" (M3, M4, M5)
21	0121G00521DG	CORNER PANEL 27.5" (M1, M2)
21	0121G00522DG	CORNER PANEL 32.5" (M3, M4, M5)
31	0121G00047PDG	CORNER POST 27.5" (M1, M2)
31	0121G00048PDG	CORNER POST 32.5" (M3, M4, M5)
41	0121G00271DG	EXTERNAL BLOWER PANEL 27.5" (M1, M2)
41	0121G00272DG	EXTERNAL BLOWER PANEL 32.5" (M3, M4, M5)
51	0121G00276DG	EXTERNAL CONTROL BOX PANEL
71	0121G00072PLG	LOUVERED PANEL 5 BANK 27.5" (M1, M2)
71	0121G00073PLG	LOUVERED PANEL 5 BANK 32.5" (M3, M4, M5)
81	0121G00065PDG	EVAP PANEL 8.75" X 27.5" (M1, M2)
81	0121G00066PDG	EVAP PANEL 8.75" X 32.5" (M3, M4, M5)
91	B1392011	GROMMET / HS .62 - .45
101	0121G00059PDG	COMPRESSOR PANEL 8.75" X 27.50" (M1, M2)
101	0121G00060PDG	COMPRESSOR PANEL 8.75" X 32.50" (M3, M4, M5)
111	0273G00001P	INSULATED ASSY, BASEPAN
121	0121G00069PLG	LOUVERED PANEL 4 BANK 27.5" (M1, M2)
121	0121G00070PLG	LOUVERED PANEL 4 BANK 32.5" (M3, M4, M5)
131	0121G00044PRF	BASEPAN RAIL (QTY 2)

**Expanded Model Nomenclature**

- |                   |
|-------------------|
| M1 - APH1624H41AA |
| M2 - APH1630H41AA |
| M3 - APH1636H41AA |
| M4 - APH1642H41AA |
| M5 - APH1648H41AA |

# Chassis Assembly

Image 1

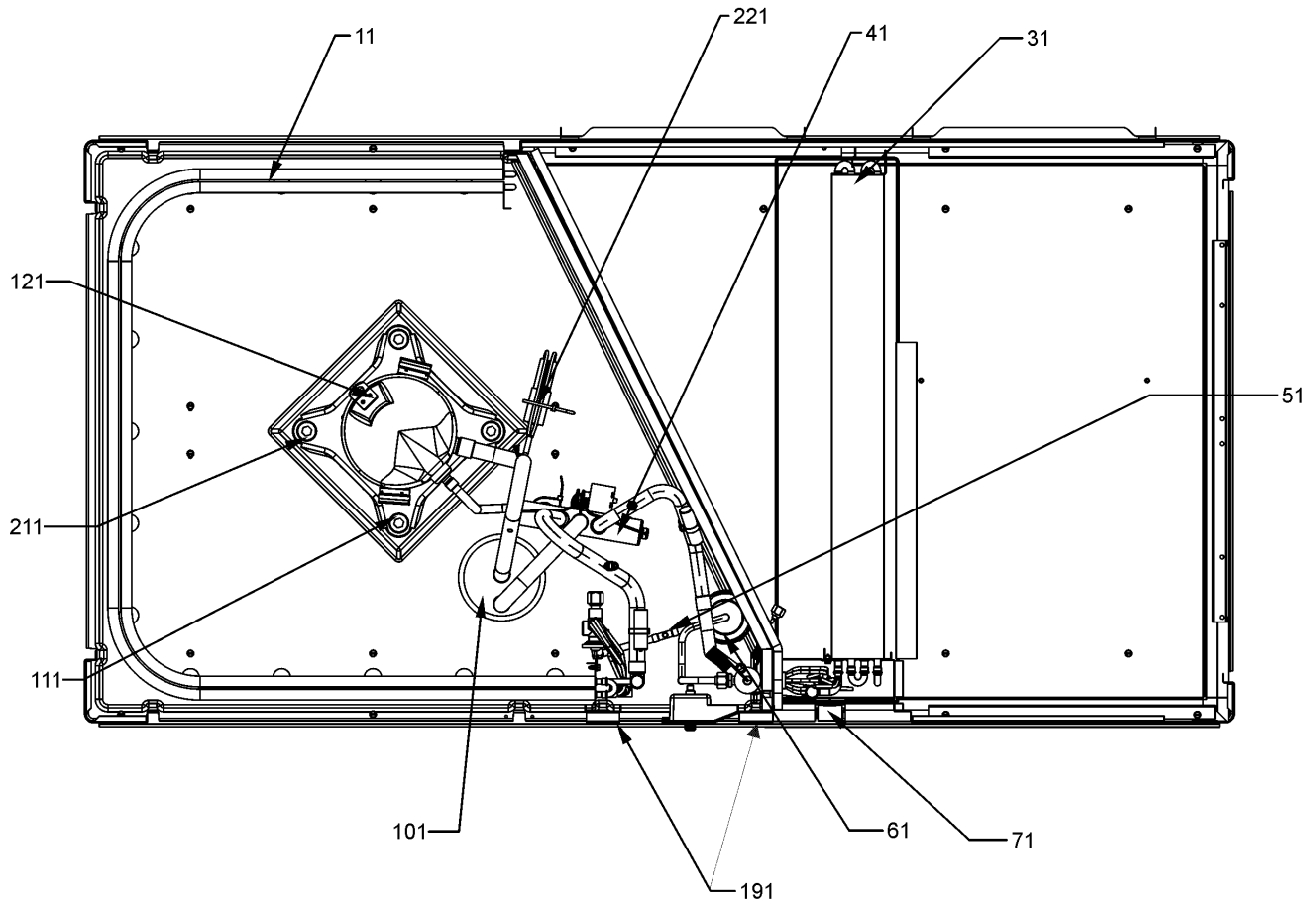


Image 2

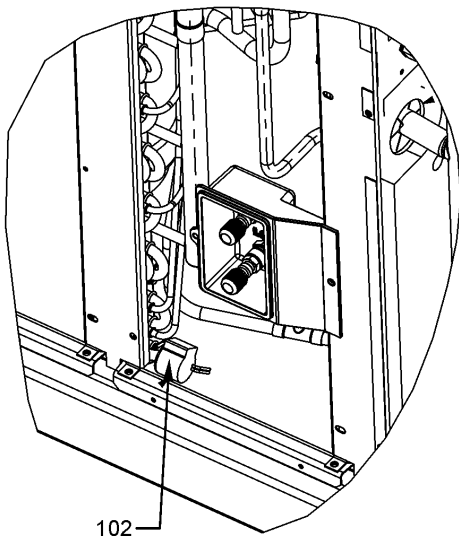
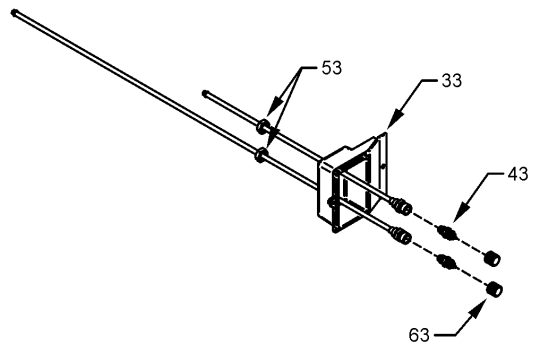


Image 3



# Chassis Assembly

Ref. Part No: No:	Description:	Ref. Part No: No:	Description:
-------------------	--------------	-------------------	--------------

**Image 1:**

11	0201G00346	COND COIL ASSY (M1, M2)
11	0201G00376	COND COIL ASSY (M3)
11	0201G00377	COND COIL ASSY (M4)
11	0201G00380	COND COIL ASSY (M5)
31	0202G00651	EVAP COIL ASSY (M3, M4)
31	0202G00663	EVAP COIL ASSY (M5)
31	0202G00665	EVAP COIL ASSY (M1, M2)
41	0151R00069	REVERSING VALVE (M1, M2)
41	0151R00071	REVERSING VALVE (M3, M4, M5)
51	0130M00074	CUT-OUT SWITCH, HIGH PRESSURE
61	20485201	BI-FLOW FILTER DRIER
71	0270G00254	DRAIN PAN ASSY
101	B1226206	ACCUMULATOR (M1, M2)
101	B1226207	ACCUMULATOR .875 (M3, M4, M5)
111	B1339533	COMPRESSOR GROMMET (QTY 4)
121	ZP21K5EPFV130	COMPRESSOR 21300, 208/230/60/1 (M1)
121	ZP25K5EPFV130	COMPRESSOR 25200, 208/230/60/1 (M2)
121	ZP31K5EPFV130	COMPRESSOR 31100, 208/230/60/1 (M3)
121	ZP34K5EPFV130	COMPRESSOR 34500, 208/230/60/1 (M4)
121	ZPS40K5EPFV130	COMPRESSOR 41100, 208/230/60/1 (M5)
191	0121G00045P	POST 27.5" (M1, M2)
191	0121G00079P	POST 32.5" (M3, M4, M5)
211	M0221641	TF SHOULDER SCREW (QTY 4)
221	0130M00075	CUT-OUT SWITCH, LOW PRESSURE
NS	0159G00004	COMPRESSOR SCROLL HARNESS
NS	0159G00001	COMPRESSOR SOLENOID CABLE
NS	B1488806	COMPRESSOR SOUND BLANKET (M4, M5)
NS	B1488807	COMPRESSOR SOUND BLANKET (M1, M2, M3)
NS	0128G00052	EVAP DRIP SHIELD
NS	0162M00274	FLOWRATOR (M5)
NS	0162M00021P	FLOWRATOR .047 (M1, M2)
NS	0162M00106	FLOWRATOR .057 (M3)
NS	0162M00159	FLOWRATOR .059 (M4)
NS	B1225022	SOLENOID COIL
NS	0151M00041	VALVE ADJUSTABLE , TXV (M1, M2, M3, M4)
NS	0151M00050	VALVE, NXT (M5)

**Image 2:**

102	0130M00099	CONTROL, DEFROST (M1, M2, M3, M5)
102	0130M00101	CONTROL, DEFROST (M4)

**Image 3:**

33	0161G00008	ACCESS-FITTING BOX
43	B1373315	ACCESS FITTING (QTY 2)
53	0163G00000P	FASTEST FITTING NUT (QTY 2)
63	0163M00175	CAP WITH O-RING (QTY 2)

**Expanded Model Nomenclature**

M1 - APH1624H41AA
M2 - APH1630H41AA
M3 - APH1636H41AA
M4 - APH1642H41AA
M5 - APH1648H41AA

# Top Panel / Control Box Assembly

Image 1

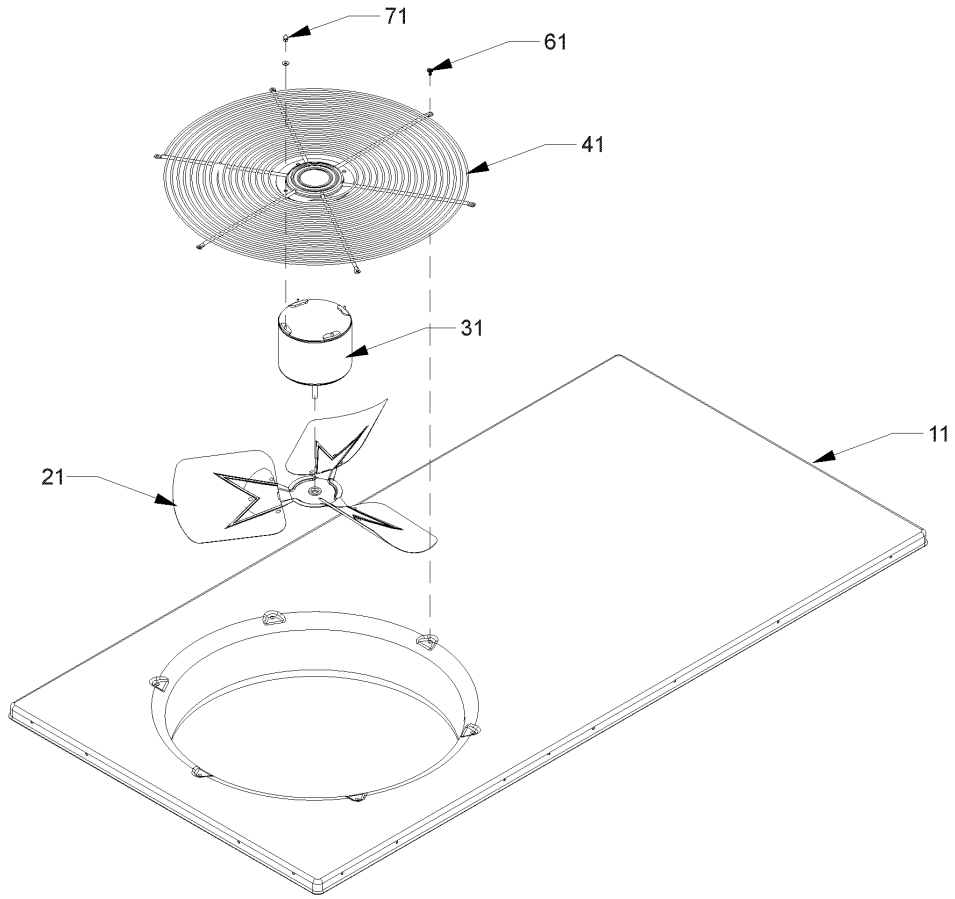
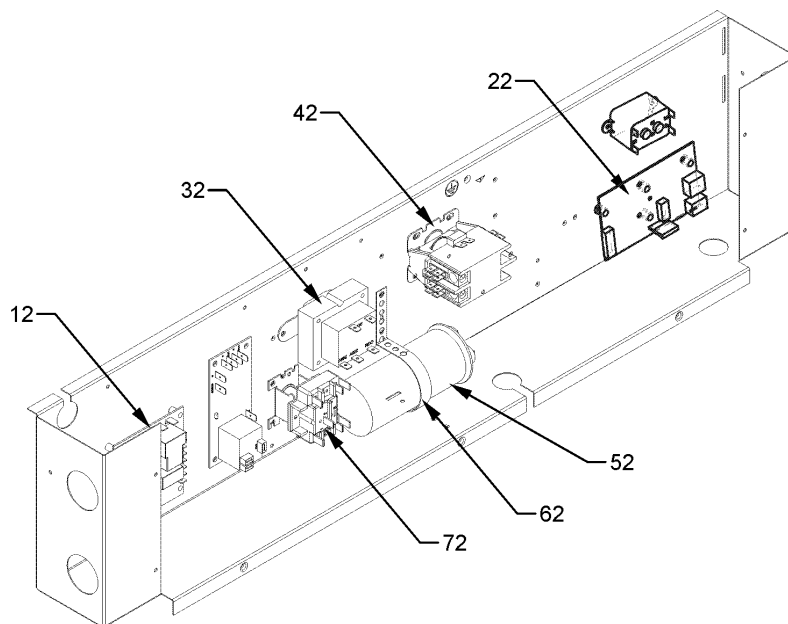


Image 2





# Top Panel / Control Box Assembly

Ref. Part No: No:	Description:	Ref. Part No: No:	Description:
-------------------	--------------	-------------------	--------------

**Image 1:**

11	0274G00037	INSULATED ASSY, TOP PANEL
21	0150G00004	FAN BLADE (M4, M5)
21	0150G00005	FAN BLADE (M1, M2)
21	B1086765	FAN BLADE TYPE 3 (M3)
31	0131M00061	COND MOTOR 1/4 HP, 1 SP, 8 PL (M3)
31	0131M00429	COND MOTOR 1/4 HP, 1 SP, 6 PL (M4, M5)
31	0131M00009P	COND MOTOR 1/6 HP, 1 SP, 8 PL (M1, M2)
41	0152G00003	FAN GRILLE
61	M0221817	SMALL SCREW (QTY 4)
71	0163M00006P	ACORN NUT 5/16 HEX BLACK (QTY 4)
NS	17788000083F	PVC CONDUIT 8.25"
NS	0259G00071	WIRE HARNESS, ELECTRIC HEAT

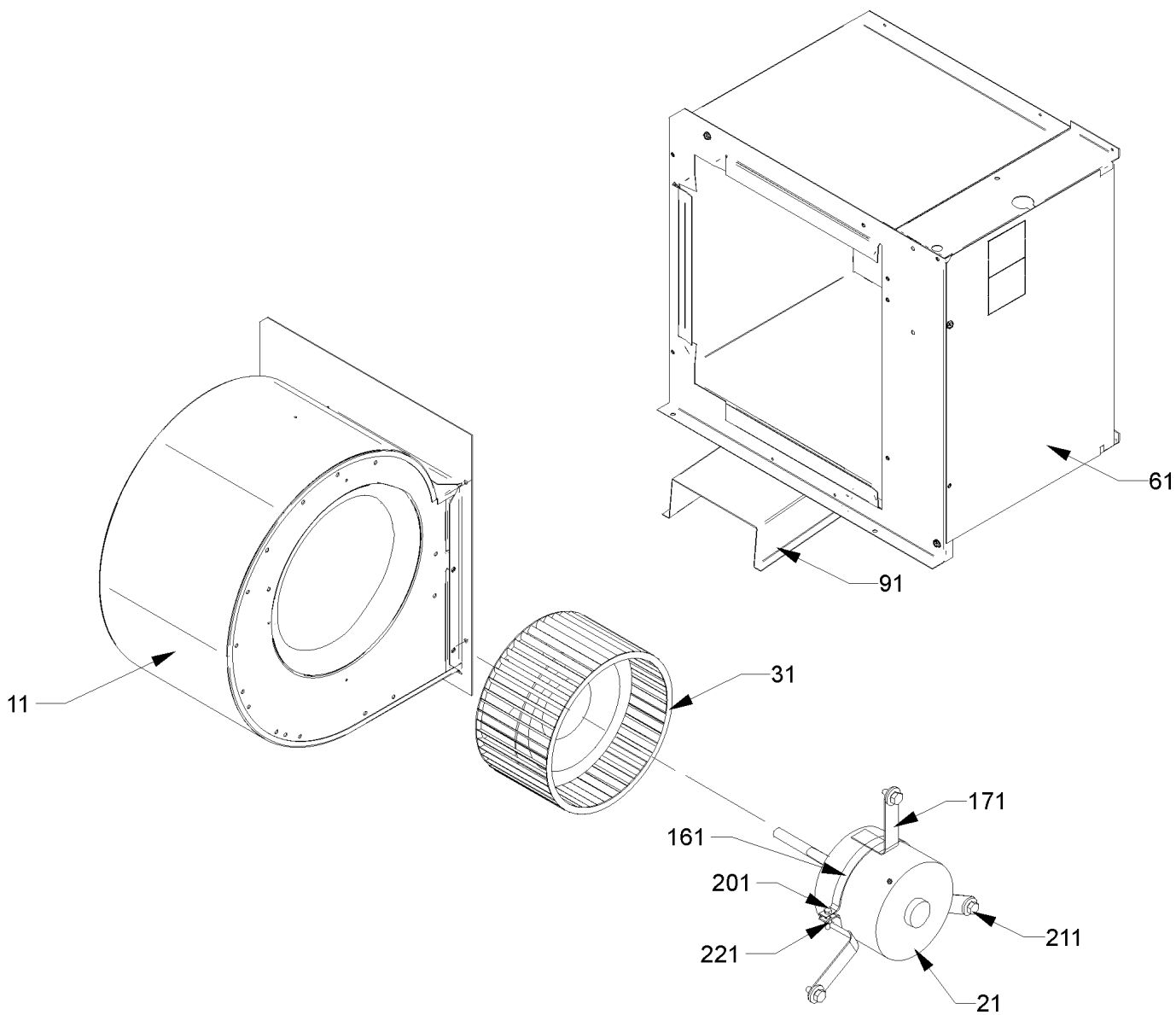
**Image 2:**

12	PCBDM133	DEFROST CONTROL BOARD
22	PCBEM102	PCB, ECM PRIMARY, VSTB
32	0130M00138	TRANSFORMER 208/230, 24V
42	CONT1P025024V	CONTACTOR 25 AMP, 1P, 24V (M1, M2, M3)
42	CONT1P030024V	CONTACTOR 30 AMP, 1P, 24V (M4)
42	CONT2P040024V	CONTACTOR 40 AMP, 2P, 24V (M5)
52	CAP050300440RS	CAPACITOR 5/30/370V (M5)
52	CAP050400440CT	CAPACITOR 5/40/440V/DUAL RD (M1, M2)
52	CAP050450440CT	CAPACITOR 5/45/440V/DUAL RD (M3, M4)
62	20520901	CAPACITOR STRAP
72	B1370751	24V RELAY (M5)
NS	B1378701	WIRE HARNESS, HIGH VOLTAGE (5-PIN ECM)
NS	B1378700	WIRE HARNESS, LOW VOLTAGE (16-PIN ECM)

**Expanded Model Nomenclature**

M1 - APH1624H41AA
M2 - APH1630H41AA
M3 - APH1636H41AA
M4 - APH1642H41AA
M5 - APH1648H41AA

# Blower Assembly



# Blower Assembly

Ref. Part No:	No:	Description:	Ref. Part No:	No:	Description:
---------------	-----	--------------	---------------	-----	--------------

---

**Image 1:**

11	10324248	BLOWER HOUSING 10 X 8
21	0131M00701	PROGRAMMED MOTOR (M1)
21	0131M00702	PROGRAMMED MOTOR (M2)
21	0131M00703	PROGRAMMED MOTOR (M3)
21	0131M00704	PROGRAMMED MOTOR (M4)
21	0131M00705	PROGRAMMED MOTOR (M5)
31	B1368016	BLOWER WHEEL 10 X 8
61	0121G00039P	HEATER KIT COVER
91	0121G00040P	BLOWER SUPPORT
NS	C6121810	BLOWER CUT-OFF

**Image 2:**

162	0121M00038	MOTOR MOUNT BAND
172	B1376853	MOTOR MOUNT ARM (QTY 3)
202	B1393800	LOCKNUT, NYLON, INSERT 1/4, 20
212	M0250565	TC SCREW 1.25" (QTY 3)
222	B1393323	MACHINE SCREW HWH 1/4-20 X 1-1/2 BZ

**Expanded Model Nomenclature**

M1 - APH1624H41AA
M2 - APH1630H41AA
M3 - APH1636H41AA
M4 - APH1642H41AA
M5 - APH1648H41AA