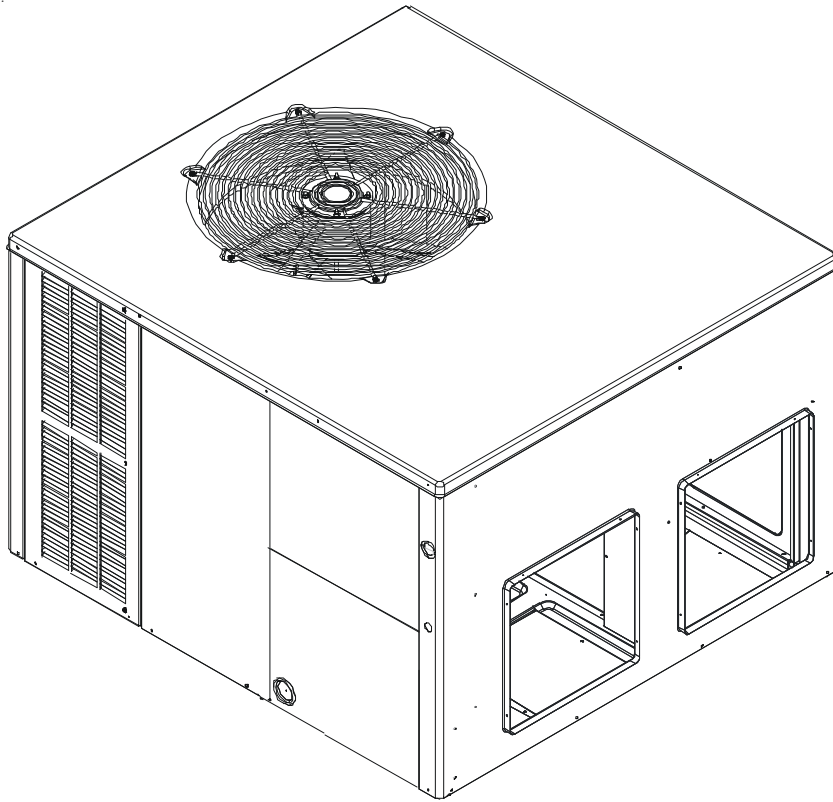


INSTALLATION INSTRUCTIONS FOR SELF-CONTAINED PACKAGE HEAT PUMP UNITS *PC/*PH15 "M" SERIES

Affix this manual and Users Information Manual adjacent to the unit.




 **RECOGNIZE THIS SYMBOL AS A SAFETY PRECAUTION.**

ATTENTION INSTALLING PERSONNEL

Prior to installation, thoroughly familiarize yourself with this Installation Manual. Observe all safety warnings. During installation or repair, caution is to be observed.
It is your responsibility to install the product safely and to educate the customer on its safe use.

These installation instructions cover the **outdoor** installation of self contained package air conditioners and heating units. See the Specification Sheets applicable to your model for information regarding accessories.

*NOTE: Please contact your distributor or our website for the applicable Specification Sheets referred to in this manual.

 is a registered trademark of Maytag Corporation or its related companies and is used under license. All rights reserved.

IO-394E
9/2013

Goodman Manufacturing Company, L.P.
5151 San Felipe, Suite 500, Houston, TX 77056
www.goodmanmfg.com www.amana-hac.com
© 2010 - 2013 Goodman Manufacturing Company, L.P.



INDEX

SHIPPING INSPECTION	4
REPLACEMENT PARTS	4
ORDERING PARTS	4
SAFETY INSTRUCTIONS	4
CODES AND REGULATIONS	4
EPA REGULATIONS	5
NATIONAL CODES	5
MAJOR COMPONENTS	5
PRE-INSTALLATION CHECKS	5
CLEARANCES AND ACCESSIBILITY	5
UNIT LOCATION	5
GROUND LEVEL PRE-INSTALLATION DETAILS	5
ROOF TOP PRE-INSTALLATION DETAILS	5
ROOF CURB INSTALLATIONS ONLY	6
RIGGING DETAILS	6
CIRCULATING AIR AND FILTERS	7
AIR FLOW CONVERSION	7
DUCT WORK	7
FILTERS	7
PIPING	8
CONDENSATE DRAIN	8
WIRING	8
HIGH VOLTAGE WIRING	8
LOW VOLTAGE WIRING	8
INTERNAL WIRING	8
STARTUP, ADJUSTMENTS, AND CHECKS	9
COOLING START-UP PROCEDURES	9
HEAT PUMP START-UP PROCEDURE	9
FINAL SYSTEM CHECKS	9
COMPONENTS	9
HEAT PUMP OPERATION	10
COOLING CYCLE	10
HEATING CYCLE	10

DEFROST CONTROL	11
AIR FLOW MEASUREMENT AND ADJUSTMENT	12
AIR FLOW ADJUSTMENTS FOR INDOOR BLOWER MOTOR	12
APH DIP SWITCH FUNCTIONS	12
APH CFM DELIVERY AND ADJUSTMENTS	12
APH THERMOSTAT "FAN ONLY" MODE	12
APH HUMIDITY CONTROL	12
APH TWO-STAGE HEATING	12
APH THERMOSTAT WIRING	12
EXPANSION VALVE (TXV) SYSTEM	13
SYSTEM CHARGING HEATING MODE	14
ELECTRICAL ADJUSTMENTS	14
MAINTENANCE	15
SERVICE	15
COMMON CAUSES OF UNSATISFACTORY OPERATION OF HEAT PUMP ON THE HEATING CYCLE	15
<i>INADEQUATE AIR VOLUME THROUGH INDOOR COIL</i>	<i>15</i>
<i>OUTSIDE AIR INTO RETURN DUCT</i>	<i>15</i>
<i>UNDERCHARGE</i>	<i>15</i>
<i>POOR "TERMINATING" SENSOR CONTACT</i>	<i>15</i>
<i>MALFUNCTIONING REVERSING VALVE - THIS MAY BE DUE TO:</i>	<i>15</i>
APPENDIX	16
TROUBLESHOOTING CHART	17
GPH15 BLOWER PERFORMANCE DATA	18
GPC15 BLOWER PERFORMANCE DATA	19
APH15 BLOWER PERFORMANCE DATA	20
APH15 CFM OUTPUT AND DIP SWITCH SETTINGS	21
<i>CFM OUTPUT FOR DIP SWITCH COMBINATIONS 1-2 (ELECTRIC HEAT)</i>	<i>21</i>
<i>DIP SWITCH SETTINGS FOR SINGLE AND TWO-STAGE THERMOSTATS</i>	<i>21</i>
<i>CFM OUTPUT FOR DIP SWITCH COMBINATIONS 5-6 (COOLING/HEATING).</i>	<i>21</i>
<i>ADJUSTMENTS THROUGH DIP SWITCH COMBINATIONS 7-8</i>	<i>21</i>
MINIMUM CLEARANCES	22
DIMENSIONS	22



WARNING

ONLY INDIVIDUALS MEETING (AT A MINIMUM) THE REQUIREMENTS OF AN "ENTRY LEVEL TECHNICIAN" AS SPECIFIED BY THE AIR-CONDITIONING, HEATING AND REFRIGERATION INSTITUTE (AHRI) MAY USE THIS INFORMATION. ATTEMPTING TO INSTALL OR REPAIR THIS UNIT WITHOUT SUCH BACKGROUND MAY RESULT IN PRODUCT DAMAGE, PERSONAL INJURY OR DEATH.

To The Installer

Carefully read all instructions for the installation prior to installing unit. Make sure each step or procedure is understood and any special considerations are taken into account before starting installation. Assemble all tools, hardware and supplies needed to complete the installation. Some items may need to be purchased locally. After deciding where to install unit, closely look the location over - both the inside and outside of home. Note any potential obstacles or problems that might be encountered as noted in this manual. Choose a more suitable location if necessary.

IMPORTANT NOTE: If a crankcase heater is used, the unit should be energized 24 hours prior to compressor start up to ensure crankcase heater has sufficiently warmed the compressor. Compressor damage may occur if this step is not followed.

SHIPPING INSPECTION

Upon receiving the unit, inspect it for damage from shipment. Claims for damage, either shipping or concealed, should be filed immediately with the shipping company. Check the unit model number, specifications, electrical characteristics and accessories to determine if they are correct. In the event an incorrect unit is shipped, it must be returned to the supplier and must NOT be installed. The manufacturer assumes no responsibility for installation of incorrectly shipped units.

REPLACEMENT PARTS

ORDERING PARTS

When reporting shortages or damages, or ordering repair parts, give the complete unit model and serial numbers as stamped on the unit's nameplate.

Replacement parts for this appliance are available through your contractor or local distributor. For the location of your nearest distributor, consult the white business pages, the yellow page section of the local telephone book or contact:

CONSUMER AFFAIRS
GOODMAN MANUFACTURING COMPANY, L.P.
7401 SECURITY WAY
HOUSTON, TEXAS 77040
877-254-4729

SAFETY INSTRUCTIONS

The following symbols and labels are used throughout this manual to indicate immediate or potential safety hazards. It is the owner's and installer's responsibility to read and comply with all safety information and instructions accompanying these symbols. Failure to heed safety information increases the risk of personal injury, property damage, and/or product damage.



WARNING

DO NOT CONNECT TO OR USE ANY DEVICE THAT IS NOT DESIGN CERTIFIED BY GOODMAN FOR USE WITH THIS UNIT. SERIOUS PROPERTY DAMAGE, PERSONAL INJURY, REDUCED UNIT PERFORMANCE AND/OR HAZARDOUS CONDITIONS MAY RESULT FROM THE USE OF SUCH NON-APPROVED DEVICES.



WARNING

HIGH VOLTAGE!

DISCONNECT ALL POWER BEFORE SERVICING OR INSTALLING THIS UNIT. MULTIPLE POWER SOURCES MAY BE PRESENT. FAILURE TO DO SO MAY CAUSE PROPERTY DAMAGE, PERSONAL INJURY OR DEATH.



WARNING

CONNECTING UNIT DUCT WORK TO UNAUTHORIZED HEAT PRODUCING DEVICES SUCH AS A FIREPLACE INSERT, STOVE, ETC., MAY RESULT IN PROPERTY DAMAGE, FIRE, CARBON MONOXIDE POISONING, EXPLOSION, PERSONAL INJURY OR DEATH.



WARNING

THIS PRODUCT CONTAINS OR PRODUCES A CHEMICAL OR CHEMICALS WHICH MAY CAUSE SERIOUS ILLNESS OR DEATH AND WHICH ARE KNOWN TO THE STATE OF CALIFORNIA TO CAUSE CANCER, BIRTH DEFECTS OR OTHER REPRODUCTIVE HARM.



WARNING

TO AVOID PROPERTY DAMAGE, PERSONAL INJURY OR DEATH, DO NOT THIS UNIT IF ANY PART HAS BEEN UNDER WATER. IMMEDIATELY CALL A QUALIFIED SERVICE TECHNICIAN TO INSPECT THE UNIT AND TO REPLACE ANY PART OF THE CONTROL SYSTEM AND ANY GAS CONTROL HAVING BEEN UNDER WATER.



WARNING

THIS UNIT MUST NOT BE USED AS A "CONSTRUCTION HEATER" DURING THE FINISHING PHASES OF CONSTRUCTION ON A NEW STRUCTURE. THIS TYPE OF USE MAY RESULT IN PREMATURE FAILURE OF THE UNIT DUE TO EXTREMELY LOW RETURN AIR TEMPERATURES AND EXPOSURE TO CORROSIVE OR VERY DIRTY ATMOSPHERES.



WARNING

TO PREVENT THE RISK OF PROPERTY DAMAGE, PERSONAL INJURY, OR DEATH, DO NOT STORE COMBUSTIBLE MATERIALS OR USE GASOLINE OR OTHER FLAMMABLE LIQUIDS OR VAPORS IN THE VICINITY OF THIS APPLIANCE.

CODES AND REGULATIONS

The *PH/C M-series heat pumps are designed for OUTDOOR USE ONLY. *PH M-Series is available in cooling capacities of 2, 2.5, 3, 4 and 5 nominal tons of cooling. The GPC is only available in 2 thru 4 ton. Optional field installed heat kits are available in 5,8,10,15 and 20 kW. The units can be easily installed in manufactured or modular homes with existing high-static duct work. The units can also be easily converted to accommodate a plenum for normal or low-static applications. The *PH/C M-series are self contained packaged units so the only connections needed for installation are the supply and return ducts, the line and low voltage wiring and drain connection. Rated performance is achieved after 72

hours of operation. Rated performance is delivered at the specified airflow. See outdoor unit specification sheet for split system models or product specification sheet for packaged and light commercial models. Specification sheets can be found at www.goodmanmfg.com for Goodman® brand products or www.amana-hac.com for Amana® brand products. Within either website, please select the residential or commercial products menu and then select the submenu for the type of product to be installed, such as air conditioners or heat pumps, to access a list of product pages that each contain links to that model's specification sheet. The units are ETL listed and AHRI certified.

The information on the rating plate is in compliance with the FTC & DOE rating for single phase units.

EPA REGULATIONS

IMPORTANT: THE UNITED STATES ENVIRONMENTAL PROTECTION AGENCY (EPA) HAS ISSUED VARIOUS REGULATIONS REGARDING THE INTRODUCTION AND DISPOSAL OF REFRIGERANTS IN THIS UNIT. FAILURE TO FOLLOW THESE REGULATIONS MAY HARM THE ENVIRONMENT AND CAN LEAD TO THE IMPOSITION OF SUBSTANTIAL FINES. BECAUSE REGULATIONS MAY VARY DUE TO PASSAGE OF NEW LAWS, WE SUGGEST A CERTIFIED TECHNICIAN PERFORM ANY WORK DONE ON THIS UNIT. SHOULD YOU HAVE ANY QUESTIONS PLEASE CONTACT THE LOCAL OFFICE OF THE EPA.

NATIONAL CODES

This product is designed and manufactured to permit installation in accordance with National Codes. It is the installer's responsibility to install the product in accordance with National Codes and/or prevailing local codes and regulations.

MAJOR COMPONENTS

The unit includes a hermetically sealed refrigerating system (consisting of a compressor, condenser coil, evaporator coil with flowrator), an indoor blower, a condenser fan and all necessary internal electrical wiring. The heat pump also includes a reversing valve, solenoid, defrost thermostat and control and loss of charge protection. The system is factory-evacuated, charged and performance tested. Refrigerant amount and type are indicated on rating plate.

PRE-INSTALLATION CHECKS

Before attempting any installation, the following points should be considered:

- Structural strength of supporting members
- Clearances and provision for servicing
- Power supply and wiring
- Air duct connections
- Drain facilities and connections
- Location may be on any four sides of a home, manufactured or modular, to minimize noise

CLEARANCES AND ACCESSIBILITY

The unit is designed to be located outside the building with unobstructed condenser air inlet and discharge. Additionally, the unit must be situated to permit access for service and installation. Condenser air enters from three sides. Air discharges upward from the top of the unit. Refrigerant gauge connections are made on the right side of the unit as you face the compressor compartment. Electrical connections can be made either on the right, bottom or duct panel side of the unit.

The best and most common application is for the unit to be located 10" from wall (4" minimum) with the connection side facing the wall. This "close to the wall" application minimizes exposed wiring.

Close to the wall application assures free, unobstructed air to the other two sides. In more confined application spaces, such as corners provide a minimum 12" clearance on all air inlet sides. Allow 36" minimum for service access to the compressor compartment and controls. The top of the unit should be completely unobstructed. If units are to be located under an overhang, there should be a minimum of 48" clearance and provisions made to deflect the warm discharge air out from the overhang.

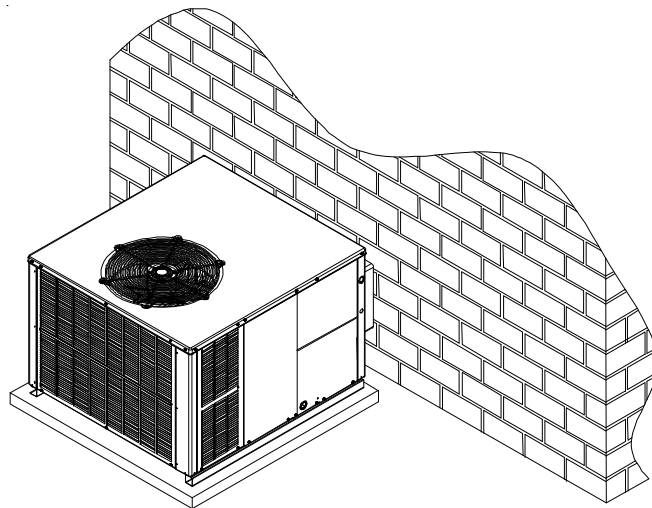
UNIT LOCATION

Consider the affect of outdoor fan noise on conditioned space and any adjacent occupied space. It is recommended that the unit be placed so that condenser air discharge does not blow toward windows less than 25 feet away. Consideration should also be given to shade and unit appearance.

Heat pumps require special location consideration in areas of heavy snow accumulation and/or areas with prolonged continuous subfreezing temperatures. Heat pump unit bases have holes under the outdoor coil to permit drainage of defrost water accumulation. The unit must be situated to permit free unobstructed drainage of the defrost water and ice. A minimum 2" clearance under the outdoor coil is required in the milder climates.

GROUND LEVEL PRE-INSTALLATION DETAILS

The unit should be set on a solid, level foundation - preferably a concrete slab at least 4 inches thick. The slab should be above ground level and surrounded by a graveled area for good drainage. Any slab used as a unit's foundation should not adjoin the building as it is possible that sound and vibration may be transmitted to the structure.



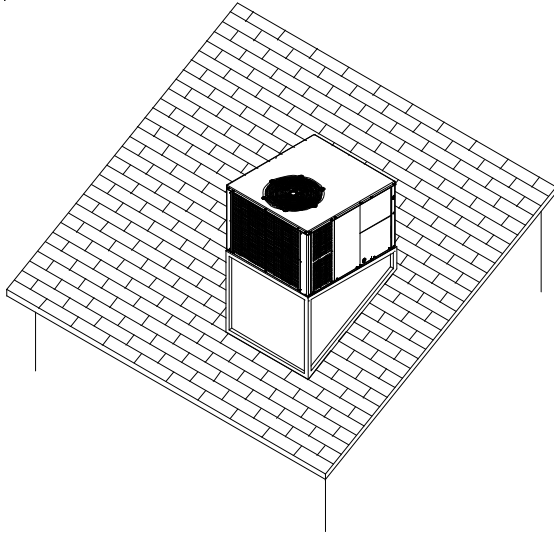
Ground Level Installation

ROOF TOP PRE-INSTALLATION DETAILS

Ensure that the roof is weather tight and allows proper drainage of condensation. Use steel or treated wood beams as unit support for load distribution.

NOTE: To ensure proper condensate drainage, unit must be installed in a level position.

- To avoid possible property damage or personal injury, the roof must have sufficient structural strength to carry the weight of the unit(s) and snow or water loads as required by local codes. Consult a structural engineer to determine the weight capabilities of the roof.
- The unit may be installed directly on wood floors or on Class A, Class B, or Class C roof covering material.
- To avoid possible personal injury, a safe, flat surface for service personnel should be provided.



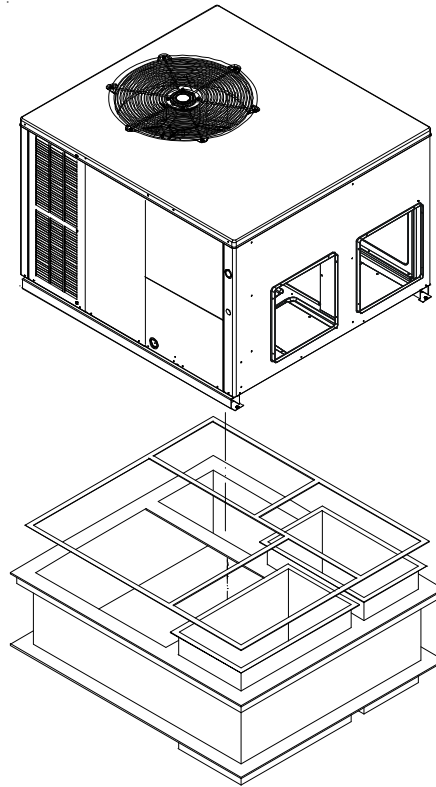
Rooftop Installation

ROOF CURB INSTALLATIONS ONLY

NOTE: Sufficient structural support must be determined prior to locating and mounting the curb and package unit.

Curb insulation, cant strips, flashing and general roofing material are furnished by the contractor.

Curbing must be installed in compliance with the National Roofing Contractors Association Manual. Construct duct work using current industry guidelines. The duct work must be placed into the roof curb **before** mounting the package unit.



Roof Curb Installation

RIGGING DETAILS

WARNING

TO PREVENT PROPERTY DAMAGE, THE UNIT SHOULD REMAIN IN AN UPRIGHT POSITION DURING ALL RIGGING AND MOVING OPERATIONS. TO FACILITATE LIFTING AND MOVING WHEN A CRANE IS USED, PLACE THE UNIT IN AN ADEQUATE CABLE SLING.

WARNING

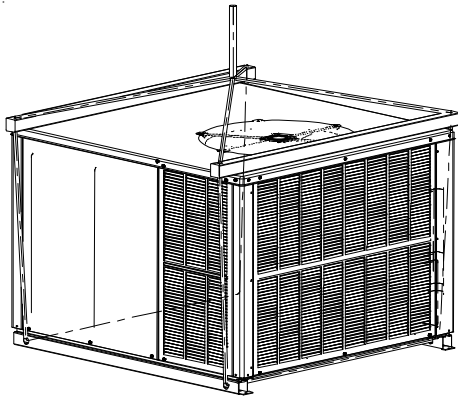
TO AVOID POSSIBLE PROPERTY DAMAGE, PERSONAL INJURY OR DEATH, ENSURE THE ROOF HAS SUFFICIENT STRUCTURAL STRENGTH TO CARRY THE WEIGHT OF THE UNIT(S), ROOF CURB, SNOW LOADS, AND WATER LOADS AS REQUIRED BY LOCAL CODES. CONSULT A STRUCTURAL ENGINEER TO DETERMINE THE WEIGHT CAPABILITIES OF THE ROOF.

CAUTION

TO AVOID POSSIBLE PERSONAL INJURY, A SAFE, FLAT SURFACE FOR SERVICE PERSONNEL SHOULD BE PROVIDED.

IMPORTANT: If using bottom discharge with roof curb, duct work should be attached to the curb prior to installing the unit.

Lower unit carefully onto roof mounting curb. While rigging unit, center of gravity will cause condenser end to be lower than supply air end.



Rigging

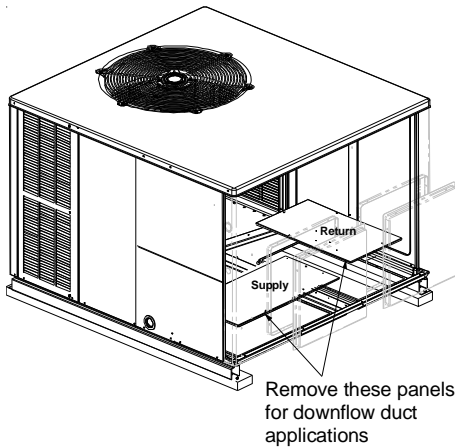
CIRCULATING AIR AND FILTERS

AIR FLOW CONVERSION

Units can easily be converted from horizontal to down discharge air flow delivery. In down discharge or high static installations, the installer should measure the total external static and review the blower performance charts before performing the installation. In some installations it will be necessary to change the blower speed to provide proper air flow.

Horizontal Air Flow

Single phase models are shipped without horizontal duct covers. If needed, these kits may be ordered through Goodman's Service Parts department.



Duct Cover Installation

Down Discharge Applications

Cut insulation around bottom openings and remove panels from the bottom of the unit, saving the screws holding the panels in place.

NOTE: Single phase models require installation of horizontal duct kit #20464501PDGK (medium chassis) and #20464502PDGK (large chassis).

DUCT WORK

Duct systems and register sizes must be properly designed for the C.F.M. and external static pressure rating of the unit. Duct work should be designed in accordance with the recommended methods of Air Conditioning Contractors of America Manual D (Residential) or Manual Q (Commercial). All duct work exposed to the outdoors must include a weatherproof barrier and adequate insulation.

A duct system should be installed in accordance with Standards of the National Board of Fire Underwriters for the Installation of Air Conditioning, Warm Air Heating and Ventilating Systems. Pamphlets No. 90A and 90B.

The supply duct from the unit through a wall may be installed without clearance. However, minimum unit clearances as shown in the Appendix must be maintained. The supply duct should be provided with an access panel large enough to inspect the air chamber downstream of the heat exchanger. A cover should be tightly attached to prevent air leaks.

For duct flange dimensions on the unit refer to the Unit Dimension illustration in the Appendix.

For down discharge applications, the duct work should be attached to the roof curb prior to installing the unit. Duct work dimensions are shown in the roof curb installation manual.

If desired, supply and return duct connections to the unit may be made with flexible connections to reduce possible unit operating sound transmission.

FILTERS



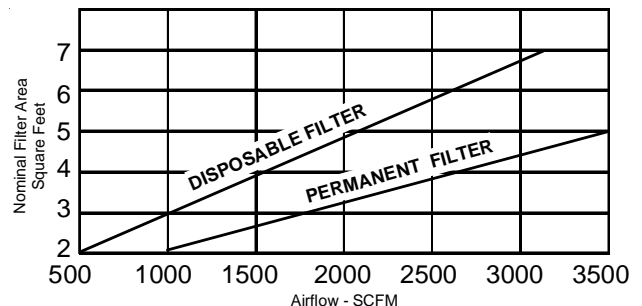
TO PREVENT PROPERTY DAMAGE DUE TO FIRE AND LOSS OF EQUIPMENT EFFICIENCY OR EQUIPMENT DAMAGE DUE TO DUST AND LINT BUILD-UP ON INTERNAL PARTS, NEVER OPERATE THE UNIT WITHOUT AN AIR FILTER INSTALLED IN THE RETURN AIR SYSTEM.

Filters are not provided with unit and must be supplied and externally installed in the return duct system by the installer. A field-installed filter grille is recommended for easy and convenient access to the filters for periodic inspection and cleaning. When installing filters, ensure the air flow arrows on the filter are pointing toward the circulator blower.

Refer to the unit filter size chart below for filter size information.

MINIMUM FILTER SIZE	
NOMINAL SIZE (INCHES)	NOMINAL AREA (SQ. FT.)
10x20	1.4
14x20	1.9
14x25	2.4
15x20	2.1
16x20	2.2
16x25	2.8
20x20	2.8
20x25	3.5
25x25	4.3

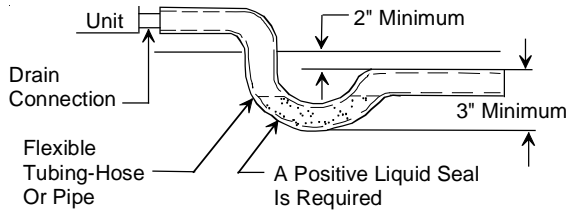
NOTE: Filters must have adequate face area for the rated quantity of the unit. See the air delivery table below for recommended filter size. Size the filters in accordance with their manufacturer recommendations. Throwaway filters must be sized for a maximum face velocity of 300 feet per minute.



PIPING

CONDENSATE DRAIN

The condensate drain connection of the evaporator is a half coupling of 3/4" N.P.T. A trap must be provided to have proper condensate drainage.



Install condensate drain trap as shown. Use 3/4" drain connection size or larger. Do not operate without trap. Unit must be level or slightly inclined toward drain.

WIRING

NOTE: All wiring should be made in accordance with the National Electrical Code.

Consult your local Power Company to determine the availability of sufficient power to operate the unit. Check the voltage, frequency, and phase at the power supply to ensure it corresponds to the unit's RATED VOLTAGE REQUIREMENT. In accordance with the N.E.C. or local codes, install a branch circuit fused disconnect near the unit. Determine wire sizes and overcurrent protection from the unit nameplate ampacity and in accordance with the Minimum Filter Size or the N.E.C. The wiring should **never** be sized smaller than is recommended by either of these two sources.

Fuses smaller than that recommended on the rating plate could result in unnecessary fuse failure or service calls. The use of protective devices of larger size than indicated could result in extensive damage to the equipment. The manufacturer bears no responsibility for damage caused to equipment as result of the use of larger than is recommended size protective devices.

All units have undergone a run test prior to packaging for shipment. This equipment has been started at minimum rated voltage and checked for satisfactory operation. Do not attempt to operate this unit if the voltage is not within the minimum and maximum voltages shown on nameplate.

All exterior wiring must be within approved weatherproof conduit. The unit must be **permanently grounded** in accordance with local codes, or in absence of local codes, with N.E.C. ANSI/ NFPA NO. 70-1984 or latest edition by using ground lug in the control box.

Fuses or HACR type circuit breakers may be used where codes permit.

IMPORTANT NOTE: Some single phase units are equipped with a single-pole contactor. Exercise caution when servicing as only one leg of the power supply is broken with the contractor.

HIGH VOLTAGE WIRING

- Single Phase.** Connect two leads to terminals L1 & L2 in the electrical control section, using wire sizes specified in wiring table.

LOW VOLTAGE WIRING

- Heat Pumps.** Connect 24V wires from the thermostat to the corresponding wires in the control box using No. 18 AWG as follows:

GPC15 Terminal	24-60 Thermostat
Red	R (24V)
Green	G (fan)
White	W1 (heat*)
Brown	W2 (heat*)
Yellow	Y (cool)
Blue	C (24V Common)

[A/G]PH15 Terminal	24 - 43 Thermostat	49 - 60 Thermostat
Red	R (24V)	R (24V)
Green	G (fan)	G (fan)
Orange	O (rev. valve)	O (rev. valve)
White	W1 (heat, 2nd)	W1 (heat, 2nd)*
Brown	W2 (heat, 3rd)	W2 (heat, 3rd)*
Purple	Not used	Y1 (Low cool)
Yellow	Y (cool)	Y2 (Hi cool)
Blue	C (24V Common)	C (24V Common)

Thermostats must be set to energize "G" during cooling. This is default on most all thermostats.

*Optional field installed heat connections.

*PH1549 - *PH1560 have two-stage cooling and require two-stage heat/cool with optional third stage electric heat thermostat.


INTERNAL WIRING

A diagram detailing the internal wiring of this unit is located on the electrical box cover. If any of the original wire supplied with the appliance must be replaced, the wire gauge and insulation must be the same as the original wiring.


Transformer is wired for 230 volts on the 208/230 models. See wiring diagram for 208 volt wiring.

- For branch circuit wiring (main power supply to unit disconnect), the minimum wire size for the length of run can be determined using the circuit ampacity found on the unit rating plate and the table below. From the unit disconnect to the unit, the smallest wire size allowable may be used for the ampacity, **as the disconnect must be in sight of the unit.**

BRANCH CIRCUIT AMPACITY	15	20	25	30	35	40	45	50
SUPPLY WIRE LENGTH - FEET								
200	6	4	4	4	3	3	2	2
150	8	6	6	4	4	4	3	3
100	10	8	8	6	6	6	4	4
50	14	12	10	10	8	8	6	6




WARNING




HIGH VOLTAGE!
DISCONNECT ALL POWER BEFORE SERVICING OR INSTALLING THIS UNIT. MULTIPLE POWER SOURCES MAY BE PRESENT. FAILURE TO DO SO MAY CAUSE PROPERTY DAMAGE, PERSONAL INJURY OR DEATH.

2. Wire size based on 60°C rated wire insulation and 30°C Ambient Temperature (86°F).
3. For more than three conductors in a raceway or cable, see the N.E.C. for derating the ampacity of each conductor.

STARTUP, ADJUSTMENTS, AND CHECKS



WARNING



HIGH VOLTAGE!
DISCONNECT ALL POWER BEFORE SERVICING OR INSTALLING THIS UNIT. MULTIPLE POWER SOURCES MAY BE PRESENT. FAILURE TO DO SO MAY CAUSE PROPERTY DAMAGE, PERSONAL INJURY OR DEATH.

COOLING START-UP PROCEDURES

With power turned off at all disconnects:

1. Turn thermostat system switch to “COOL” and fan switch to “AUTO”. Next, turn the temperature setting as high as it will go.
2. Inspect all registers and set them to the normal open position.
3. Turn on the electrical supply at the disconnect.
4. Turn the fan switch to the “ON” position. The blower should begin ramping up immediately.
5. Turn the fan switch to “AUTO” position. The blower should begin ramping down after an approximate 60-second delay.
6. Slowly lower the cooling temperature until the unit starts. The compressor, blower and fan should now be operating. Allow the unit to run 10 minutes, make sure cool air is being supplied by the unit.
7. Turn the temperature setting to the highest position, stopping the unit. The indoor blower will continue to run for approximately 60-seconds.
8. Turn the thermostat system switch to “OFF” and disconnect all power when servicing the unit.

HEAT PUMP START-UP PROCEDURE

1. Check the cooling mode for the heat pump in the same manner as above. The reversing valve is energized when the thermostat is placed in the cooling position. A clicking sound should be noticeable from the reversing valve. By lowering the temperature setting to call for cooling, the contractor is energized. The compressor, blower and fan should then be running. After the cooling mode is checked out, turn the thermostat system switch to “OFF”.
2. Turn the thermostat system switch to “HEAT” and fan switch to “AUTO”.
3. Slowly raise the heating temperature setting. When the heating first stage makes contact, stop raising the temperature setting. The compressor, blower and fan should now be running with the reversing valve in the de-energized (heating) position. After giving the unit time to settle out, make sure the unit is supplying heated air.
4. If the outdoor ambient is above 80°F, the unit may trip on its high pressure cut out when on heating. The compressor should stop. The heating cycle must be thoroughly checked, so postpone the test to another day when conditions are more suitable. **DO NOT FAIL TO TEST.**

5. If the outdoor ambient is low and the unit operates properly on the heating cycle, you may check the pressure cutout operation by blocking off the indoor return air until the unit trips.
6. If unit operates properly in the heating cycle, raise the temperature setting until the heating second stage makes contact. Supplemental resistance heat, if installed should now come on. Ensure all heaters energize.

NOTE: *PH1549-60 have two stages of compressor heat. During resistance heat test, increase temperature setting until third stage heat is energized.

If outdoor thermostats are installed, the outdoor ambient must be below the set point of these thermostats for the heaters to operate. It may be necessary to jumper these thermostats to check heater operation if outdoor ambient is mild.

7. **THERMOSTATS WITH EMERGENCY HEAT.** For thermostats with an emergency heat switch, raise the temperature setting until the heating second stage makes contact. The emergency heat switch is located at the bottom of the thermostat. Move the switch to emergency heat. The heat pump will stop, the blower will continue to run, all heaters will come on and the thermostat emergency heat light will come on.
8. If checking the unit in the wintertime, when the outdoor coil is cold enough to actuate the defrost control, observe at least one defrost cycle to make sure the unit defrosts completely.

FINAL SYSTEM CHECKS

1. Ensure all supply and return air grilles are adjusted and the air distribution system is balanced for the best compromise between heating and cooling.
2. Ensure there are no air leaks in the duct work.
3. Check air flow and refrigerant charge. See Sections on ***Air Flow Measurement and Adjustment and Checking Charge.***
4. Ensure the unit is free of “rattles”, and the tubing in the unit is free from excessive vibration. The tubes or lines should not rub against sheet metal surfaces, edges or each other.
5. Ensure the Owner is instructed on the unit operation, filter, servicing, correct thermostat operation, etc.

Set the thermostat at the appropriate setting for cooling and heating or automatic changeover for normal use.

NOTE: The “Cooling Start-up Procedure” is a recommended step as it serves as an system indicator that the unit will operate normally.

COMPONENTS

Contactors

This control is activated (closed) by the room thermostat for both heating and cooling. The contactor has a 24V coil and supplies power to the compressor and outdoor fan motor.

Crankcase Heater

This item is “ON” whenever power is supplied to the unit and the crankcase heater thermostat is closed. Crankcase heater thermostat closes at 67° and opens at 85°. It warms the compressor crankcase thereby preventing liquid migration and subsequent compressor damage. The insert type heater is self regulating. It is connected electrically to the contactor L1 and L2 terminals.

Condenser Motor

This item is activated by the contactor during heating and cooling, except during defrost and emergency heat operation. On 460V heat pumps, the condenser motor is activated by the CMR.

Compressor

This item is activated by the contactor for heating and cooling, except during emergency heat. It is protected by an internal overload.

Contactor Relay

This control is activated by the thermostat (24V coil) and supplies power to the contactor.

Defrost Control

The Defrost Control provides time/temperature initiation and termination of the defrost cycle. When a defrost cycle is initiated, the Defrost Control shifts the reversing valve to "COOLING" mode, stops the outdoor fan and brings on supplemental heat. Normally, a defrost cycle will take only 2-3 minutes unless system is low on refrigerant charge or outdoor conditions are severe (i.e. windy and cold). The defrost control also provides for a 3 minute off cycle compressor delay.

Outdoor Thermostat

These optional controls are used to prevent full electric heater operation at varying outdoor ambient (0°F to 45°F). They are normally open above their set points and closed below to permit staging of indoor supplement heater operation. If the outdoor ambient temperature is below 0°F (-18°C) with 50% or higher RH, an outdoor thermostat (OT) must be installed and set at (0°) on the dial. Failure to comply with this requirement may result in damage to the product which may not be covered by the manufacturer's warranty.

Reversing Valve Coil

This coil is activated by the thermostat, in the cooling mode and during defrost. It positions the reversing valve pilot valve for cooling operation.

Indoor Blower Motor

This is activated by the room thermostat by COOLING or FAN ON position. For GPC/GPH models, the motor is energized directly by the room thermostat for EEM motors. EEM motors are constant torque motors with very low power consumption. For APH models, the motor is energized by the fan control board for ECM motors. ECM motors are constant CFM motors with very low power consumption. This motor is energized by a 24V signal from the thermostat. (See *Air Flow Measurement and Adjustment* for speed adjustment instructions).

HEAT PUMP OPERATION

COOLING CYCLE

When the heat pump is in the cooling cycle, it operates exactly as a Air Conditioner unit.

HEATING CYCLE

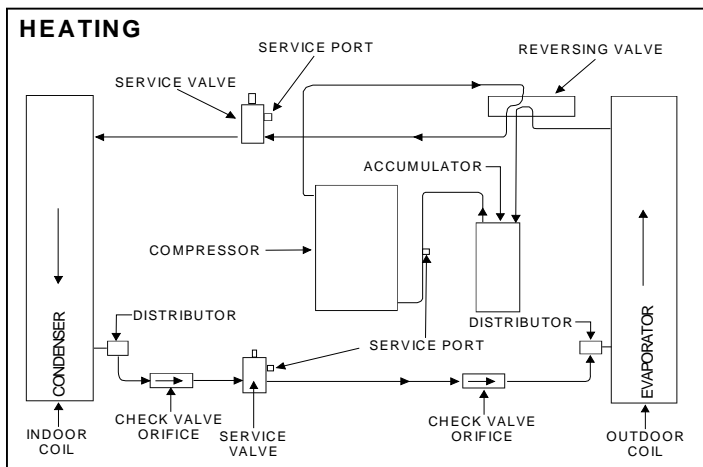
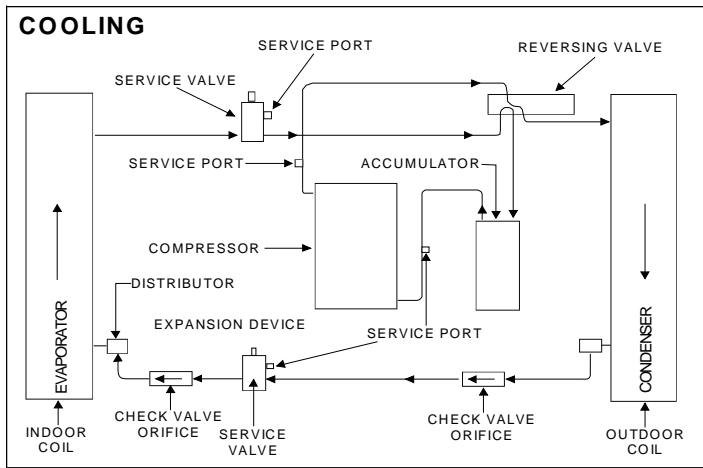
The heat pump operates in the heating cycle by redirecting refrigerant flow through the refrigerant circuit external to the compressor. This is accomplished with through the reversing valve. Hot discharge vapor from the compressor is directed to the indoor coil (evaporator on the cooling cycle) where the heat is removed, and the vapor condenses to liquid. It then goes through the expansion device to the outdoor coil (condenser on the cooling cycle) where the liquid is evaporated, and the vapor goes to the compressor.

When the solenoid valve coil is operated either from heating to cooling or vice versa, the piston in the reversing valve to the low pressure (high pressure) reverse positions in the reversing valve.

The following figures show a schematic of a heat pump on the cooling cycle and the heating cycle. In addition to a reversing valve, a heat pump is equipped with an expansion device and check valve for the indoor coil, and similar equipment for the outdoor coil. It is also provided with a defrost control system.

The expansion devices are flowrator distributors and perform the same function on the heating cycle as on the cooling cycle. The flowrator distributors also act as check valves to allow for the reverse of refrigerant flow.

When the heat pump is on the heating cycle, the outdoor coil is functioning as an evaporator. The temperature of the refrigerant in the outdoor coil must be below the temperature of the outdoor air in order to extract heat from the air. Thus, the greater the difference in the outdoor temperature and the outdoor coil temperature, the greater the heating capacity of the heat pump. This phenomenon is a characteristic of a heat pump. It is a good practice to provide supplementary heat for all heat pump installations in areas where the temperature drops below 45°F. It is also a good practice to provide sufficient supplementary heat to handle the entire heating requirement should there be a component failure of the heat pump, such as a compressor, or refrigerant leak, etc. Since the temperature of the refrigerant in the outdoor coil on the heating cycle is generally below freezing point, frost forms on the surfaces of the outdoor coil under certain weather conditions of temperature and relative humidity. Therefore, it is necessary to reverse the flow of the refrigerant to provide hot gas in the outdoor coil to melt the frost accumulation. This is accomplished by reversing the heat pump to the cooling cycle. At the same time, the outdoor fan stops to hasten the temperature rise of the outdoor coil and lessen the time required for defrosting. The indoor blower continues to run and the supplementary heaters are energized.



DEFROST CONTROL

During operation the power to the circuit board is controlled by a temperature sensor, which is clamped to a feeder tube entering the outdoor coil. Defrost timing periods of 30, 60 and 90 minutes may be selected by setting the circuit board jumper to 30, 60 and 90 respectively. Accumulation of time for the timing period selected starts when the sensor closes (approximately 34°F), and when the wall thermostat calls for heat. At the end of the timing period, the unit's defrost cycle will be initiated provided the sensor remains closed. When the sensor opens (approximately 60°F), the defrost cycle is terminated and the timing period is reset. If the defrost cycle is not terminated due to the sensor temperature, a twelve minute override interrupts the unit's defrost period.

Suggested Field Testing/Trouble Shooting

1. Run unit in the heating mode (room thermostat calling for heat).
2. Check unit for proper charge. **NOTE: Bands of frost on the condenser coil indicate low refrigerant charge.**
3. Shut off power to unit.
4. Disconnect outdoor fan by removing the outdoor fan motor wire from "DF2" on defrost control.
5. Restart unit and allow frost to accumulate.
6. After a few minutes of operation, the unit's defrost thermostat should close. To verify this, check for 24 volts between "DFT" and "C" on board. If the temperature at the thermostat is less than 28°F and the thermostat is open, replace the unit's defrost thermostat, as it is defective.
7. When the unit's defrost thermostat has closed, short the test pins on the defrost board until the reversing valve shifts, indicating defrost. This should take up to 22 seconds depending on what timing period the control is set on. After defrost initiation, the short must instantly be removed or the unit's defrost period will only last 3 seconds.
8. The control is shipped from the factory with the compressor delay option selected. This will de-energize the compressor contactor for 30 seconds on defrost initiation and defrost termination. If the jumper is set to Normal, the compressor will continue to run during defrost initiation and defrost termination. The control will also ignore the low pressure switch connected to R-PS1 and PS2 for 5 minutes upon defrost initiation and 5 minutes after defrost termination.
9. After the unit's defrost thermostat has terminated, check the defrost thermostat for 24 volts between "DFT" and "C". The reading should indicate 0 volts (open sensor).
10. Shut off power to unit.
11. Replace outdoor fan motor lead to terminal "DF2" on defrost board and turn on power.

AIR FLOW MEASUREMENT AND ADJUSTMENT

Please review the **Duct Work** section before proceeding with the airflow measurements and adjustments in this section.

Unit blower curves (see Specification Sheets) are based on external static pressure (ESP per in/W.C.). The duct openings on the unit are considered internal static pressure. As long as ESP is maintained, the unit will deliver the proper air up to the maximum static pressure listed for the CFM required by the application (i.e. home, building, etc.)

In general, 400 CFM per ton of cooling capacity is a rule of thumb. Some applications depending on the sensible and latent capacity requirements may need only 350 CFM or up to 425 CFM per ton. Check condition space load requirements (from load calculations) and equipment expanded ratings data to match CFM and capacity.

After unit is set and duct work completed, verify the ESP with a 1-inch inclined manometer with pilot tubes or a Magnahelic gauge and confirm CFM to blower curves in the Specification Sheets.

NOTE: Never run CFM below 350 CFM per ton, evaporator freezing or poor unit performance is possible.

AIR FLOW ADJUSTMENTS FOR INDOOR BLOWER MOTOR

EEM Motor

Adjust the CFM by changing the 24V low voltage lead at the speed terminal block on the motor. (T1-Low Speed, T2 and T3-Medium Speed, T4 and T5-High Speed).

NOTE: Factory set T1 (G, fan), T2 (cool/Hi cool), T3 (W2 electric heat), T4 and T5 reserved for high static (cool/Hi cool) and W2. GPH1548M41, GPH1549M41 and GPH1560M41 low cool Y1 will run at G speed.

ECM Motor

The ECM control board is factory set with the dip switch #4 in the "ON" position for single stage units and to the "OFF" position for the 2 stage units. All other dip switches are factory set in the "OFF" position. **For most applications, the settings are to be changed according to the electric heat size.**

The ECM motor provides many features not available on the traditional PSC motor. These features include:

- Improved Efficiency
- Constant CFM
- Soft Start and Stop
- Improved Humidity Control

ECM Motor Speed Adjustment

Each ECM blower motor has been preprogrammed for operation at 4 distinct air flow levels when operating in Cooling/Heat Pump mode or Electric Heat mode. These 4 distinct levels may also be adjusted slightly lower or higher if desired. The adjustment between levels and the trim adjustments are made by changing the dip switch(s) either to an "OFF" or "ON" position.

See Appendix for Blower Performance Data tables.

APH DIP SWITCH FUNCTIONS

The ECM motor has an electronic control that contains eight (8) 2-position dip switches. The function of these dip switches is shown in **Table 1**.

DIP SWITCH NUMBER	FUNCTION
1	Electric Heat
2	
3	N/A
4	Indoor Thermostat
5	Cooling & Heat Pump CFM
6	
7	CFM Trim Adjust
8	

Table 1

For APH1524-43 models, dip switch 4 must be set to ON. Dip switch 4 must be set to OFF for two-stage compressor models APH1549-60. Dip switch 4 ON energizes Y1 signal to the ECM motor anytime Y/Y2 is energized. The indoor motor will not operate properly if switch is not set correctly for the model.

APH CFM DELIVERY AND ADJUSTMENTS

See Appendix for CFM Output, Adjustments and DIP switch settings.

APH THERMOSTAT "FAN ONLY" MODE

During Fan Only Operations, the CFM output is 50% of the high stage cooling setting.

APH HUMIDITY CONTROL

When using a Humidistat (normally closed), cut jumper PJ6 on the control board. The Humidistat will only affect both low stage and high stage cooling air flow by adjusting the Air flow to 85%.

APH TWO-STAGE HEATING

When using staged electric heat, cut jumper PJ4 on the control board.

APH THERMOSTAT WIRING

Use thermostat wiring diagrams provided with the thermostat when making these connections.

See Appendix for Blower Performance tables.

SUPERHEAT CAN BE DETERMINED AS FOLLOWS:

1. Read suction pressure. Determine Saturated Suction Temperature from tables or pressure gauge saturated temperature scale (R-410A).
2. Read suction line temperature.
3. Use the following formula:

SUPERHEAT = SUCTION LINE TEMP - SAT. SUCTION TEMP

SATURATED SUCTION PRESSURE TEMPERATURE CHART	
SUCTION PRESSURE	SATURATED SUCTION TEMPERATURE °F
PSIG	R-410A
50	1
52	3
54	4
56	6
58	7
60	8
62	10
64	11
66	13
68	14
70	15
72	16
74	17
76	19
78	20
80	21
85	24
90	26
95	29
100	31
110	36
120	41
130	45
140	49
150	53
160	56
170	60

SUBCOOLING = SAT. LIQUID TEMP. - LIQUID LINE TEMP.

SATURATED LIQUID PRESSURE TEMPERATURE CHART	
LIQUID PRESSURE	SATURATED LIQUID TEMPERATURE °F
PSIG	R-410A
200	70
210	73
220	76
225	78
235	80
245	83
255	85
265	88
275	90
285	92
295	95
305	97
325	101
355	108
375	112
405	118
415	119
425	121
435	123
445	125
475	130
500	134
525	138
550	142
575	145
600	149
625	152

EXPANSION VALVE (TXV) SYSTEM

Single Speed Application (*PH1524/36 and GPC15)

1. Purge gauge lines. Connect service gauge manifold to access fittings. Run system at least 10 minutes to allow pressure to stabilize.
2. Temporarily install thermometer on liquid (small) line near liquid line access fitting with adequate contact and insulate for best possible reading.
3. Check subcooling and superheat. Systems with TXV application should have a subcooling of and superheat within the range listed on the chart.
 - a. If subcooling and superheat are low, **adjust** TXV then check subcooling.
 - b. If subcooling is low and superheat is high, **add** charge to raise subcooling then check superheat.
 - c. If subcooling and superheat are high, **adjust** TXV valve then check subcooling.
 - d. If subcooling is high and superheat is low, **adjust** TXV valve superheat and **remove** charge to lower the subcooling.

The TXV should **NOT** be adjusted at light load conditions 55° to 60°F, under such conditions only the subcooling can be evaluated. This is because suction pressure is dependent on indoor air flow, and wet bulb temperature.

NOTE: Do **NOT** adjust charge based on suction pressure unless there is a gross undercharge.

4. Disconnect manifold set. Installation is complete.

Two Speed Application (*PH1549/60)

Run the unit on low stage cooling for 10 minutes until refrigerant pressures stabilize. Follow the guidelines and methods below to check unit operation and ensure that the refrigerant charge is within limits. Charge the unit on low stage.

1. Purge gauge lines. Connect service gauge manifold to access fittings. Run system at least 10 minutes to allow pressure to stabilize.
2. Temporarily install thermometer on liquid (small) line near liquid line access fitting with adequate contact and insulate for best possible reading.
3. Check subcooling and superheat. Two stage systems running on low stage with TXV application should have a subcooling and superheat within the range listed on the chart.
 - a. If subcooling and superheat are low, **adjust** TXV superheat, then check subcooling.

NOTE: To adjust superheat, turn the valve stem clockwise to increase and counter clockwise to decrease.
 - b. If subcooling is low and superheat is high, **add** charge to raise subcooling then check superheat.
 - c. If subcooling and superheat are high, **adjust** TXV valve superheat, then check subcooling.
 - d. If subcooling is high and superheat is low, **adjust** TXV valve superheat and **remove** charge to lower the subcooling.

NOTE: Do **NOT** adjust the charge based on suction pressure unless there is a gross undercharge.

4. Disconnect manifold set, installation is complete.

Refrigerant Charge Check (Units with Fixed Orifice Devices)

After completing airflow measurements and adjustments the unit's refrigerant charge must be checked. All package units with fixed orifice devices are charged using the super heat method at the compressor suction line.

Design superheat & subcooling @ 95 °F outdoor ambient temperature		
Models #	Superheat °F	Subcooling °F
GPC1524M41	7 - 11	---
GPC1530M41	8 - 12	---
GPC1536M41	5 - 9	---
GPC1542M41	8 - 12	---
GPC1548M41	6 - 10	---
GPH1524M41	15 - 18	4 - 10
GPH1530M41	15 - 18	7 - 13
GPH1536M41	15 - 18	7 - 13
GPH1543M41	15 - 18	---
GPH1549M41	15 - 18	5 - 7
GPH1560M41	15 - 18	5 - 7

After superheat is adjusted it is recommended to check unit sub-cooling at the condenser coil liquid line out. For charge adjustments, see superheat and subcooling charts shown for each model.

SYSTEM CHARGING HEATING MODE

The proper method of charging a heat pump in the heat mode is by weighing the charge according to the total charge listed on the rating plate.

Measure the hot gas discharge at the compressor to ensure proper TXV setting. To ensure optimum system performance in heat mode, the TXV may require adjustment.

1. Allow the system to operate for at least 20 minutes.
2. Attach and insulate an electronic thermometer to the hot gas discharge line mid-way between the compressor and the reversing valve.
NOTE: The thermometer must be well insulated to prevent ambient influences.
3. Allow the compressor to operate for about 10 additional minutes and measure the hot gas discharge temperature.
4. Using an additional electronic thermometer, measure the ambient temperature.
5. Adjust the TXV until the hot gas temperature equals 100°F + ambient temperature (+ or - 3°F). Close TXV to increase the temperature.

NOTE: When adjusting the TXV, allow the compressor to operate for about 10 minutes before taking readings. Do not adjust TXV more than 1/4 of a turn between readings.

ELECTRICAL ADJUSTMENTS

This series of electric cooling and, heat pump package equipment is designed to accept a field installed electric heat kit. The unit is equipped to easily install the HKP or HKR Series Electric Heat Kit. Full Installation Instructions are included in this kit. Please use this document for guidance in field equipping the package unit with electric heat.

Choose the heat kit that fits the application for the specific installation. Permanently mark the unit's nameplate with the model being installed. High and low voltage connections are detailed in the heat kit instructions.

Indoor Blower motor speed tap selection may need to be modified to accommodate normal continuous operation to prevent a nuisance trip. See following tables.

MODEL	ELECTRIC HEAT kW				
	5	8	10	15	20
GPC1524M41	3	3	3	x	x
GPC1530M41	3	3	3	3	x
GPC1536M41	3	3	3	3	x
GPC1542M41	3	3	3	3	x
GPC1548M41	3	3	3	3	3

All models are factory shipped at T3 speed

MODEL	ELECTRIC HEAT kW				
	5	8	10	15	20
GPH1524M41	3	3	3	x	x
GPH1530M41	3	3	3	3	x
GPH1536M41	3	3	3	3	x
GPH1543M41	3	3	3	3	x
GPH1549M41	3	3	3	3	3
GPH1560M41	3	3	3	3	3

All models are factory shipped at T3 speed


MODEL	ELECTRIC HEAT kW				
	5	8	10	15	20
APH1524M41	x	x	x		
APH1530M41	x	x	x	x	
APH1536M41	x	x	x	x	
APH1543M41	x	x	x	x	
APH1549M41	x	x	x	x	x
APH1560M41	x	x	x	x	x

MAINTENANCE


The Self Contained Package Air Conditioner and Heat Pump should operate for many years without excessive service calls if the unit is installed properly. However it is recommended that the homeowner inspect the unit before a seasonal start up. The coils should be free of debris so adequate air flow is achieved. The return and supply registers should be free of any obstructions. The filters should be cleaned or replaced. These few steps will help to keep the product up time to a maximum. The Troubleshooting Chart (see Appendix) should help in identifying problems if the unit does not operate properly.

Refer to Blower Performance section in the Appendix - Higher air flow lowers temperature rise.

Lower air flow raises temperature rise.

 **WARNING**

HIGH VOLTAGE!
DISCONNECT ALL POWER BEFORE SERVICING OR INSTALLING THIS UNIT. MULTIPLE POWER SOURCES MAY BE PRESENT. FAILURE TO DO SO MAY CAUSE PROPERTY DAMAGE, PERSONAL INJURY OR DEATH.



SERVICE

THE FOLLOWING INFORMATION IS FOR USE BY QUALIFIED SERVICE AGENCY ONLY: OTHERS SHOULD NOT ATTEMPT TO SERVICE THIS EQUIPMENT.

COMMON CAUSES OF UNSATISFACTORY OPERATION OF HEAT PUMP ON THE HEATING CYCLE

INADEQUATE AIR VOLUME THROUGH INDOOR COIL

When a heat pump is in the heating cycle, the indoor coil is functioning as a condenser. The return air filter must always be clean, and sufficient air volume must pass through the indoor coil to prevent excessive discharge pressure, and high pressure cut out.

OUTSIDE AIR INTO RETURN DUCT

Do not introduce cold outside air into the return duct of a heat pump installation. Do not allow air entering the indoor coil to drop below 65°F. Air below this temperature will cause low discharge pressure, thus low suction pressure, and excessive defrost cycling resulting in low heating output. It may also cause false defrosting.

UNDERCHARGE

An undercharged heat pump on the heating cycle will cause low discharge pressure resulting in low suction pressure and frost accumulation on the outdoor coil.

POOR "TERMINATING" SENSOR CONTACT

The unit's defrost terminating sensor must make good thermal contact with the outdoor coil tubing. Poor contact may not terminate the unit's defrost cycle quickly enough to prevent the unit from cutting out on high discharge pressure.

MALFUNCTIONING REVERSING VALVE - THIS MAY BE DUE TO:

1. **Solenoid not energized** - In order to determine if the solenoid is energized, touch the nut that holds the solenoid cover in place with a screwdriver. If the nut magnetically holds the screwdriver, the solenoid is energized and the unit is in the cooling cycle.
2. **No voltage at unit's solenoid** - Check unit voltage. If no voltage, check wiring circuit.
3. **Valve will not shift:**
 - a. **Undercharged** - check for leaks;
 - b. **Valve Body Damaged** - Replace valve;
 - c. **Unit Properly Charged** - If it is on the heating cycle, raise the discharge pressure by restricting air flow through the indoor coil. If the valve does not shift, tap it **lightly** on both ends with a screwdriver handle. **DO NOT TAP THE VALVE BODY.** If the unit is on the cooling cycle, raise the discharge pressure by restricting air flow through the outdoor coil. If the valve does not shift after the above attempts, cut the unit off and wait until the discharge and suction pressure equalize, and repeat above steps. If the valve does not shift, replace it.

APPENDIX

TROUBLESHOOTING CHART



WARNING

HIGH VOLTAGE!

Disconnect ALL power before servicing or installing this unit. Multiple power sources may be present. Failure to do so may cause property damage, personal injury or death.



SYMPTOM	POSSIBLE CAUSE	REMEDY
High head - low suction	a. Restriction in liquid line or TXV not functioning	a. Remove or replace with proper size TXV.
High head - high or normal suction	a. In Cooling: Dirty condenser coil In Heating: Dirty filter, Dirty indoor coil b. Overcharged c. In Cooling: Condenser fan not running c. In Heating: Indoor blower not running	a. Clean coil b. Correct System charge c. Repair or Replace
Low head - high suction	a. Incorrect TXV. b. Defective compressor valves c. TXV not functioning properly d. Incorrect TXV setting	a. Replace with correct TXV b. Replace compressor c. Check for debris in TXV or deformed TXV. Remove debris or replace TXV. d. Check Super Heat
Unit will not run	a. Power off or loose electrical connection b. Thermostat out of calibration set too high c. Defective contactor d. Blown fuses or tripped breaker e. Transformer defective f. High or low pressure control open (Optional) g. Compressor overload contacts open	a. Check for unit voltage at contactor in unit b. Reset c. Check for 24 volts at contactor coil replace if contacts are open d. Replace fuse or reset breaker e. Check wiring - replace transformer f. Check high pressure control or check unit charge High pressure control opens at 610 psig Low pressure control opens at 22 psig g. Replace compressor NOTE: Wait at least 2 hours for overload to reset
Condenser fan runs, compressor doesn't	a. Loose connection b. Compressor stuck, grounded or open winding open internal overload c. Low voltage connection d. Capacitor weak, open, or shorted	a. Check for unit voltage at compressor check & tighten all connections b. Wait at least 2 hours for overload to reset If still open, replace the compressor. c. At compressor terminals, voltage must be within 10 % of nameplate volts when unit is operating d. Check capacitor. If defective, replace.
Low suction - cool compressor Iced evaporator coil	a. In Cooling: Low indoor airflow In Heating: Dirty outdoor coil, defective defrost thermostat, defective defrost control board, outdoor fan not running, low refrigerant charge. b. Low airflow c. Low refrigerant charge d. Operating unit in cooling mode below 65°F outdoor temperature	a. Increase speed of blower or reduce restriction - replace air filters b. Check - should be approximately 400 CFM per ton, dirty air filters, all duct outlets open c. Properly charge unit d. Install or check low ambient control, should be open below 65°F outdoor temperature
Compressor short cycles	a. Defective overload protector b. Unit cycling on low pressure control c. High pressure switch cuts out	a. Replace - check for correct voltage b. Check refrigerant charge and / or airflow c. Check airflow (indoor & outdoor), check expansion device
Registers sweat	a. Low airflow	a. Increase speed of blower or reduce restriction replace air filters
High suction pressure	a. Excessive load b. Defective compressor c. Reversing valve not seating properly.	a. Recheck load calculation b. Replace c. Replace
Insufficient cooling	a. Improperly sized unit b. Improper airflow c. Incorrect refrigerant charge. d. Incorrect voltage	a. Recalculate load b. Check - should be approximately 400 CFM per ton c. Charge per procedure attached to unit service panel d. At compressor terminals, voltage must be within 10% of nameplate volts when unit is operating

GPH15 BLOWER PERFORMANCE DATA

Model	Speed	Volts		E.S.P (In. of H ₂ O)							
				0.1	0.2	0.3	0.4	0.5	0.6	0.7	0.8
GPH1524M41*	T1	230	CFM	888	808	727	647	567	---	---	---
			WATTS	77	84	92	99	107	---	---	---
	T2/T3	230	CFM	929	850	772	694	615	537	---	---
			WATTS	86	94	101	109	116	124	---	---
	T4/T5	230	CFM	1106	1036	966	895	825	755	685	---
			WATTS	128	135	143	150	158	165	173	---
GPH1530M41*	T1	230	CFM	912	833	753	674	595	---	---	---
			WATTS	82	90	97	105	112	---	---	---
	T2/T3	230	CFM	1096	1025	954	884	813	742	672	601
			WATTS	125	133	140	148	155	163	170	178
	T4/T5	230	CFM	1307	1246	1185	1124	1063	1002	941	880
			WATTS	174	182	189	197	204	212	219	227
GPH1536M41*	T1	230	CFM	867	789	711	632	554	---	---	---
			WATTS	77	84	90	97	103	---	---	---
	T2/T3	230	CFM	1272	1222	1173	1123	1074	1024	974	925
			WATTS	223	230	236	243	249	256	262	269
	T4/T5	230	CFM	1446	1396	1347	1297	1248	1198	1148	1099
			WATTS	287	293	300	306	313	319	326	332
GPH1543M41*	T1	230	CFM	1167	1118	1068	1018	968	918	868	818
			WATTS	127	137	148	158	168	179	189	199
	T2/T3	230	CFM	1375	1325	1275	1225	1175	1125	1076	1026
			WATTS	220	231	241	252	262	272	283	293
	T4/T5	230	CFM	1634	1584	1534	1484	1434	1384	1334	1285
			WATTS	337	348	358	368	379	389	399	410
GPH1549M41*	T1 (G)	230	CFM	1204	1155	1105	1055	1005	955	905	855
			WATTS	144	154	164	175	185	195	206	216
	T2 (Y)	230	CFM	1685	1636	1586	1536	1486	1436	1386	1336
			WATTS	361	371	382	392	402	413	423	433
	T3 (W2)	230	CFM	1806	1756	1707	1657	1607	1557	1507	1457
			WATTS	415	426	436	446	457	467	477	488
	T4 (YHS)	230	CFM	1806	1756	1707	1657	1607	1557	1507	1457
			WATTS	415	426	436	446	457	467	477	488
	T5 (W2HS)	230	CFM	1930	1880	1830	1780	1730	1680	1630	1581
			WATTS	471	481	492	502	512	523	533	543
GPH1560M41*	T1 (G)	230	CFM	1425	1382	1339	1296	1253	1209	1166	1123
			WATTS	229	239	249	259	269	279	288	298
	T2 / T3 (W2)	230	CFM	2007	1964	1921	1878	1834	1791	1748	1705
			WATTS	586	596	606	616	626	636	645	655
	T4 / T5 (Y)	230	CFM	2035	1992	1949	1906	1863	1819	1776	1733
			WATTS	604	613	623	633	643	653	663	673

NOTES:

- Data shown is dry coil. Wet coil pressure drop is approximately 0.1" H₂O, for two-row indoor coil; 0.2" H₂O, for three-row indoor coil; and 0.3" H₂O, for four-row indoor coil.
- Data shown does not include filter pressure drop, approximately 0.08" H₂O.
- Reduce airflow by 2% for 208-volt operation.

GPC15 BLOWER PERFORMANCE DATA

Model	Speed	Volts		E.S.P (In. of H ₂ O)							
				0.1	0.2	0.3	0.4	0.5	0.6	0.7	0.8
GPC1524M41*	T1 (G)	230	CFM	882	808	727	649	545	---	---	---
			WATTS	82	86	92	102	108	---	---	---
	T2 / T3	230	CFM	933	873	810	733	637	584	---	---
			WATTS	93	103	109	120	126	135	---	---
	T4 / T5	230	CFM	1058	1012	945	896	816	723	672	---
			WATTS	124	136	142	153	168	172	179	---
GPC1530M41*	T1 (G)	230	CFM	893	824	752	665	575	---	---	---
			WATTS	87	95	101	111	115	---	---	---
	T2 / T3	230	CFM	1132	1070	1011	959	889	827	733	669
			WATTS	153	162	168	179	184	195	206	208
	T4 / T5	230	CFM	1287	1236	1165	1123	1066	1012	958	857
			WATTS	211	217	228	239	244	255	265	272
GPC1536M41*	T1 (G)	230	CFM	852	764	711	592	545	---	---	---
			WATTS	80	82	86	95	99	---	---	---
	T2 / T3	230	CFM	1232	1190	1131	1082	1023	966	889	819
			WATTS	202	214	221	229	235	246	258	264
	T4 / T5	230	CFM	1267	1213	1162	1120	1058	1009	932	841
			WATTS	218	226	236	245	247	260	272	275
GPC1542M41*	T1 (G)	230	CFM	1123	1070	1025	984	942	894	839	774
			Watts	162	170	182	193	204	216	229	242
	T2 / T3	230	CFM	1437	1390	1354	1318	1281	1243	1204	1165
			Watts	310	317	331	342	355	366	377	389
	T4 / T5	230	CFM	1528	1490	1450	1410	1383	1348	1312	1267
			Watts	372	379	391	403	416	427	439	451
GPC1548M41*	T1 (G)	230	CFM	1199	1138	1085	1017	957	889	820	755
			WATTS	162	173	185	193	211	219	232	245
	T2 / T3	230	CFM	1799	1745	1698	1658	1610	1560	1522	1450
			WATTS	480	493	508	521	531	545	550	547
	T4 / T5	230	CFM	1921	1865	1818	1780	1719	1667	1579	1483
			WATTS	582	585	602	625	627	621	595	569

NOTES:

- Data shown is dry coil. Wet coil pressure drop is approximately 0.1" H₂O, for two-row indoor coil; 0.2" H₂O, for three-row indoor coil; and 0.3" H₂O, for four-row indoor coil.
- Data shown does not include filter pressure drop, approximately 0.08" H₂O.
- Reduce airflow by 2% for 208-volt operation.

APH15 BLOWER PERFORMANCE DATA

APH1524M41					
Cooling/HP Speed	Adjust Tap	CFM*	Electric Heat	Adjust Tap	CFM*
D	Minus	630	D	Minus	630
D	Normal	700	D	Normal	700
D	Plus	770	D	Plus	770
C	Minus	743	C	Minus	743
C	Normal	825	C	Normal	825
C	Plus	908	C	Plus	908
B	Minus	855	B	Minus	855
B	Normal	950	B	Normal	950
B	Plus	1,045	B	Plus	1,045
A	Minus	945	A	Minus	945
A	Normal	1,050	A	Normal	1,050
A	Plus	1,155	A	Plus	1,155

* @ 0.1 - 0.5 ESP

APH1530M41					
Cooling/HP Speed	Adjust Tap	CFM*	Electric Heat	Adjust Tap	CFM*
D	Minus	720	D	Minus	720
D	Normal	800	D	Normal	800
D	Plus	880	D	Plus	880
C	Minus	900	C	Minus	900
C	Normal	1,000	C	Normal	1,000
C	Plus	1,100	C	Plus	1,100
B	Minus	990	B	Minus	990
B	Normal	1,100	B	Normal	1,100
B	Plus	1,210	B	Plus	1,210
A	Minus	1,125	A	Minus	1,125
A	Normal	1,250	A	Normal	1,250
A	Plus	1,375	A	Plus	1,375

* @ 0.1 - 0.5 ESP

APH1536M41					
Cooling/HP Speed	Adjust Tap	CFM*	Electric Heat	Adjust Tap	CFM*
D	Minus	720	D	Minus	720
D	Normal	800	D	Normal	800
D	Plus	880	D	Plus	880
C	Minus	900	C	Minus	900
C	Normal	1,000	C	Normal	1,000
C	Plus	1,100	C	Plus	1,100
B	Minus	990	B	Minus	990
B	Normal	1,100	B	Normal	1,100
B	Plus	1,210	B	Plus	1,210
A	Minus	1,125	A	Minus	1,125
A	Normal	1,250	A	Normal	1,250
A	Plus	1,375	A	Plus	1,375

* @ 0.1 - 0.5 ESP

APH1543M41 APH1549M41					
Cooling/HP Speed	Adjust Tap	CFM*	Electric Heat	Adjust Tap	CFM*
D	Minus	1,103	D	Minus	1,103
D	Normal	1,225	D	Normal	1,225
D	Plus	1,348	D	Plus	1,348
C	Minus**	1,260	C	Minus**	1,260
C	Normal	1,400	C	Normal	1,400
C	Plus	1,540	C	Plus	1,540
B	Minus	1,530	B	Minus	1,530
B	Normal	1,700	B	Normal	1,700
B	Plus	1,870	B	Plus	1,870
A	Minus**	1,620	A	Minus***	1,620
A	Normal	1,800	A	Normal	1,800
A	Plus	1,980	A	Plus***	1,980

* @ 0.1 - 0.5 ESP

** DENOTES FACTORY SETTING FOR APH1543M41

*** DENOTES FACTORY SETTING FOR APH1549M41

APH1560M41					
Cooling/HP Speed	Adjust Tap	CFM*	Electric Heat	Adjust Tap	CFM*
D	Minus	1,260	D	Minus	1,260
D	Normal	1,400	D	Normal	1,400
D	Plus	1,540	D	Plus	1,540
C	Minus	1,440	C	Minus	1,440
C	Normal	1,600	C	Normal	1,600
C	Plus	1,760	C	Plus	1,760
B	Minus	1,620	B	Minus	1,620
B	Normal	1,800	B	Normal	1,800
B	Plus**	1,980	B	Plus**	1,980
A	Minus	1,800	A	Minus	1,800
A	Normal	2,000	A	Normal	2,000
A	Plus	2,200	A	Plus	2,200

* @ 0.1 - 0.5 ESP

** DENOTES FACTORY SETTING FOR APH1560M41

APH15 CFM OUTPUT AND DIP SWITCH SETTINGS

**CFM Output
for DIP Switch Combinations 1-2 (Electric Heat)**

MODEL	SPEED TAP	SWITCH 1	SWITCH 2	ELECTRIC HEAT (CFM)
APH1524	A	Off	Off	1050 ^(F)
	B	On	Off	950
	C	Off	On	825
	D	On	On	700
APH1530	A	Off	Off	1250 ^(F)
	B	On	Off	1100
	C	Off	On	1000
	D	On	On	800
APH1536	A	Off	Off	1250 ^(F)
	B	On	Off	1100
	C	Off	On	1000
	D	On	On	800
APH1543	A	Off	Off	1800
	B	On	Off	1700
	C	Off	On	1400 ^(F)
	D	On	On	1225
APH1549	A	Off	Off	1800 ^(F)
	B	On	Off	1700
	C	Off	On	1400
	D	On	On	1225
APH1560	A	Off	Off	2000 ^(F)
	B	On	Off	1800
	C	Off	On	1600
	D	On	On	1400

^(F) Factory Setting

**CFM Output
for DIP Switch Combinations 5-6 (Cooling/Heating).**

MODEL	SPEED TAP	SWITCH 5	SWITCH 6	COOLING/HP CFM
APH1524	A	Off	Off	1050 ^(F)
	B	On	Off	950
	C	Off	On	825
	D	On	On	700
APH1530	A	Off	Off	1250 ^(F)
	B	On	Off	1100
	C	Off	On	1000
	D	On	On	800
APH1536	A	Off	Off	1250 ^(F)
	B	On	Off	1100
	C	Off	On	1000
	D	On	On	800
APH1543	A	Off	Off	1800
	B	On	Off	1700
	C	Off	On	1400 ^(F)
	D	On	On	1225
APH1549	A	Off	Off	1800
	B	On	Off	1700
	C	Off	On	1400
	D	On	On	1225 ^(F)
APH1560	A	Off	Off	2000 ^(F)
	B	On	Off	1800
	C	Off	On	1600
	D	On	On	1400

^(F) Factory Setting

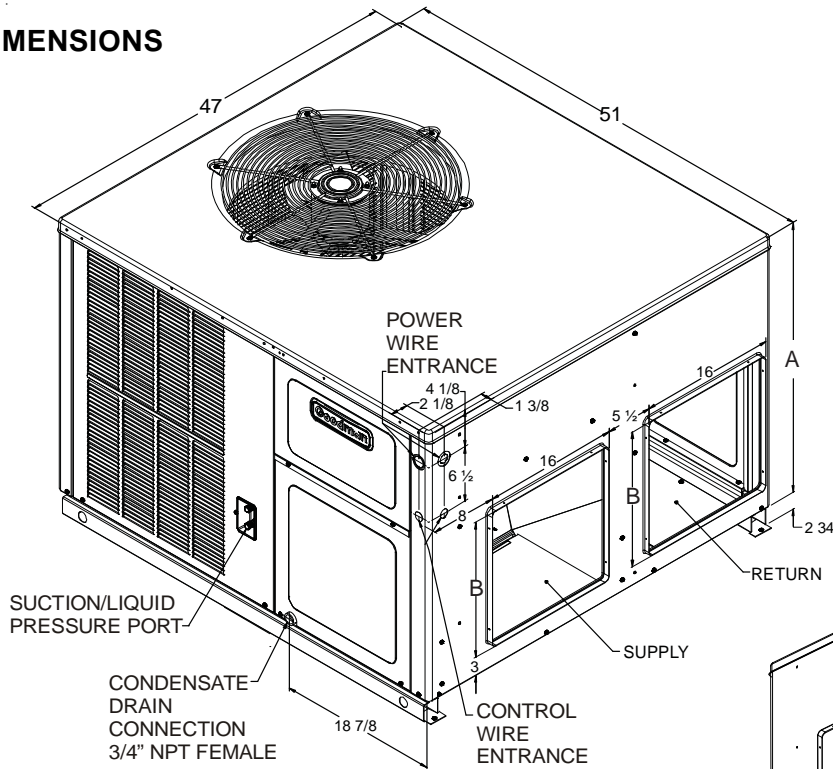
**DIP Switch Settings
for Single and Two-Stage Thermostats**

MODEL	SWITCH 3	SWITCH 4	THERMOSTAT
APH15**	N/A	ON	Single Stage
	N/A	OFF	Two-Stage

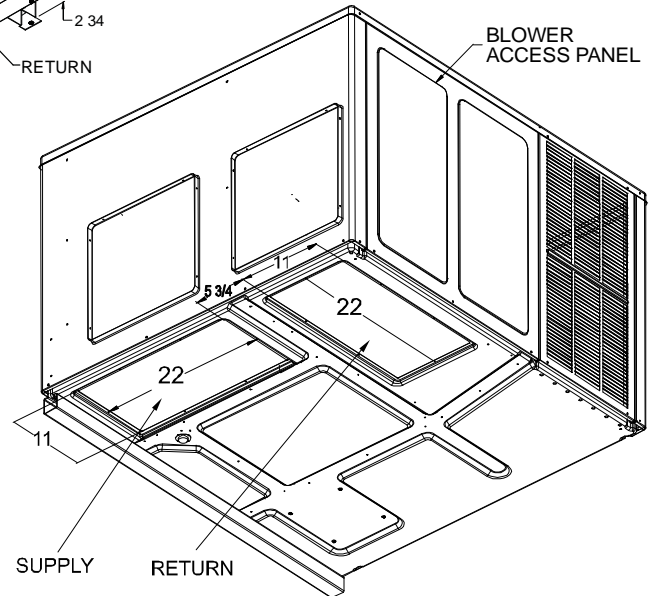
**Adjustments Through Dip Switch Combinations
7-8**

CFM	SWITCH 7	SWITCH 8
+10%	On	Off
Normal	Off	Off
-10%	Off	On

DIMENSIONS



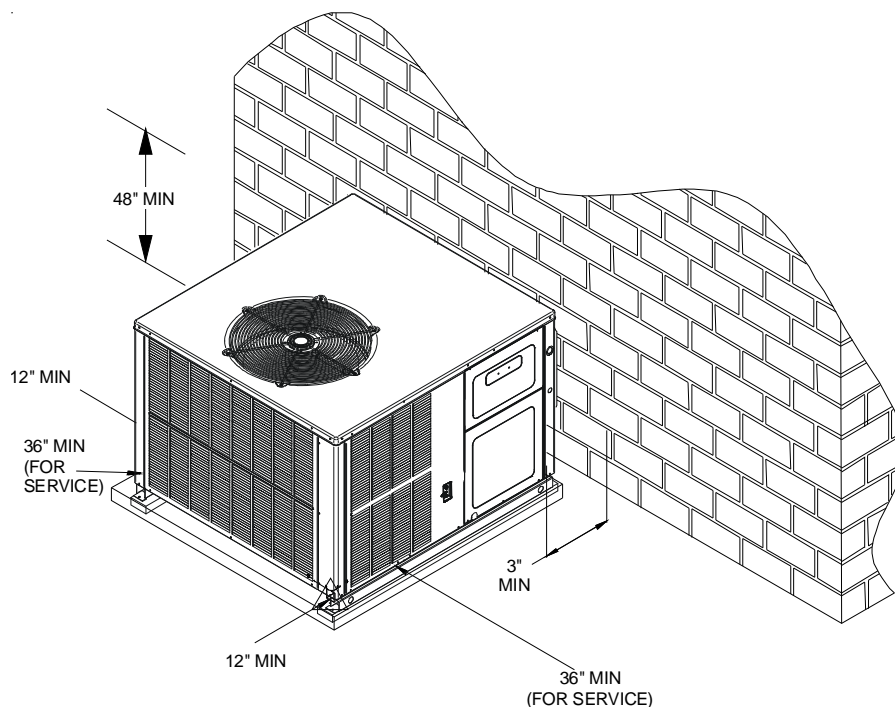
DIMENSION (INCHES)	MEDIUM	LARGE
A	32	40
B	16	18



- MEDIUM CHASSIS**
- *PH1524M41*
 - *PH1530M41*
 - *PH1536M41*
- LARGE CHASSIS**
- *PH1543M41*
 - *PH1549M41*
 - *PH1560M41*

MINIMUM CLEARANCES

NOTE: Roof overhang should be no more than 36"



THIS PAGE LEFT INTENTIONALLY BLANK

Goodman Manufacturing Company, L.P.
5151 San Felipe, Suite 500, Houston, TX 77056
www.goodmanmfg.com www.amana-hac.com
© 2010 - 2013 Goodman Manufacturing Company, L.P.