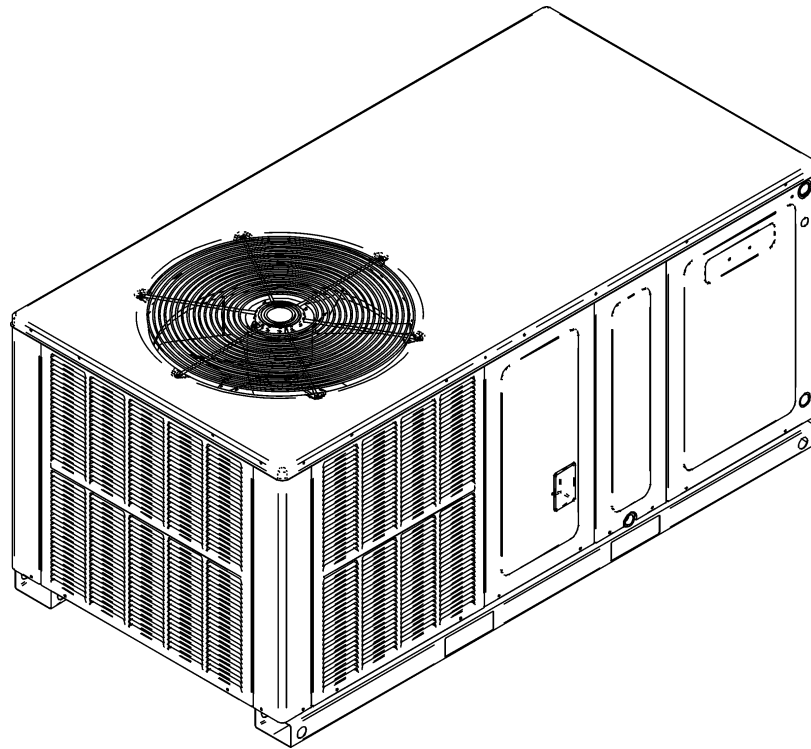


## APH13 "H" Series Package Heat Pump Units

APH1324H41CA  
APH1330H41CA  
APH1336H41CA  
APH1342H41CA  
APH1348H41DA  
APH1360H41DA



Amana is a registered trademark of Maytag Corporation or its related companies and is used under license to Goodman Company, L.P., Houston, TX. All rights reserved.

This manual is to be used by qualified technicians only.

This manual replaces RP-830.

© 2014 Goodman Company, L.P. ♦ 5151 San Felipe St., Suite 500 ♦ Houston, TX 77056

# Important Information

---

## Index

|                              |        |
|------------------------------|--------|
| Functional Parts List .....  | 3      |
| Illustration and Parts ..... | 4 - 11 |

*Views shown are for parts illustrations only, not servicing procedures*

Rev. A: Replaced Blower Assy with Blower Housing. Updated Reversing Valve part numbers. Updated suction and liquid tube assembly part numbers. Added blower motor 0131M00389 for M6 models. Corrected Blower Wheel part number for M2 models.

### Text Codes:

AR - As Required

NA - Not Available

NS - Not Shown

00000000 - See Note

QTY - Quantity Example (QTY 3) (If Quantity not shown, Quantity = 1)

M - Model Example (M1) (If M Code not shown, then part is used on all Models)

### Expanded Model Nomenclature:

|   |
|---|
| Example<br>M1 - Model#1<br>M2 - Model#2<br>M3 - Model#3 |
|---|

Goodman Company, L.P. is not responsible for personal injury or property damage resulting from improper service. Review all service information before beginning repairs.

Warranty service must be performed by an authorized technician, using authorized factory parts. If service is required after the warranty expires, Goodman Company, L.P. also recommends contacting an authorized technician and using authorized factory parts.

Goodman Company, L.P. reserves the right to discontinue, or change at any time, specifications or designs without notice or without incurring obligations.

For assistance within the U.S.A. contact:

Consumer Affairs Department

Goodman Company, L.P.

7401 Security Way

Houston, Texas 77040

877-254-4729-Telephone

713-863-2382-Facsimile

For assistance outside the U.S.A. contact:

International Division

Goodman Company, L.P.

7401 Security Way

Houston, Texas 77040

713-861-2500-Telephone

713-863-2382-Facsimile

# Functional Parts

## Part

## No: Description:

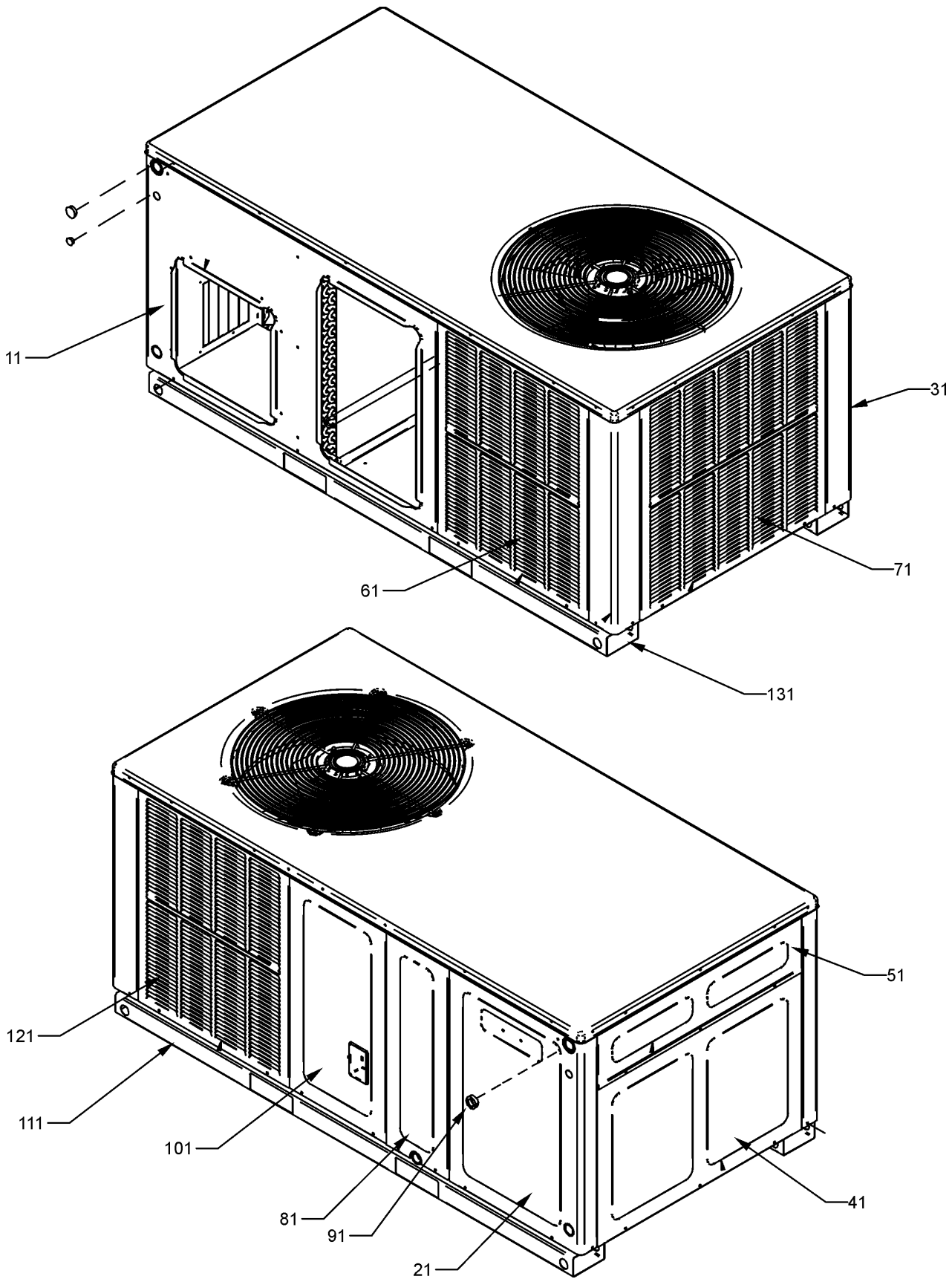
---

|                |   |
|----------------|---|
| 0130M00014     | 240 VOLT RELAY (M1, M2, M3, M4, M5)               |
| 0131M00425     | BLOWER MOTOR (M6)                                 |
| 0131M00010P    | BLOWER MOTOR 1/2 HP, 3 SP, 8 PL (M4, M5)          |
| 11091202       | BLOWER MOTOR 1/3 HP, 3 SP, 6 PL (M2, M3)          |
| 11091207       | BLOWER MOTOR 1/4 HP, 3 SP, 8 PL (M1)              |
| 0131M00389     | BLOWER MOTOR 3/4 HP, 230V X 13 TYPE (M6)          |
| B1368016       | BLOWER WHEEL 10 X 8 (M4, M5)                      |
| B1368054       | BLOWER WHEEL 11 X 8 (M6)                          |
| B1368042       | BLOWER WHEEL 9 X 6 (M1)                           |
| 0150M00000P    | BLOWER WHEEL 9 X 6 (M2)                           |
| B1368036       | BLOWER WHEEL 9 X 8 (M3)                           |
| CAP100000370LA | CAPACITOR 10/370V (M1, M2, M3)                    |
| CAP150000370LA | CAPACITOR 15/370V (M4, M5)                        |
| CAP050400440RT | CAPACITOR 5/40/440V (M1, M2)                      |
| CAP050450440RT | CAPACITOR 5/45/440V (M3, M4, M5)                  |
| CAP050700440RT | CAPACITOR 5/70/440V (M6)                          |
| ZP21K5EPFV130  | COMPRESSOR 21300, 208/230/60/1 (M1)               |
| ZP25K5EPFV130  | COMPRESSOR 25200, 208/230/60/1 (M2)               |
| ZP31K5EPFV130  | COMPRESSOR 31100, 208/230/60/1 (M3)               |
| ZP34K5EPFV130  | COMPRESSOR 34500, 208/230/60/1 (M4)               |
| ZP39K5EPFV130  | COMPRESSOR 39000, 208/230/60/1 (M5)               |
| ZP51K5EPFV130  | COMPRESSOR 51000, 208/230/60/1 (M6)               |
| 0131M00061     | COND MOTOR 1/4 HP, 1 SP, 8 PL (M3)                |
| 0131M00429     | COND MOTOR 1/4 HP, 1 SP, 6 PL (M4, M5, M6)        |
| 0131M00009P    | COND MOTOR 1/6 HP, 1 SP, 8 PL (M1, M2)            |
| CONT1P025024V  | CONTACTOR 25 AMP, 1P, 24V (M1, M2, M3)            |
| CONT1P030024V  | CONTACTOR 30 AMP, 1P, 24V (M4, M5)                |
| CONT2P040024V  | CONTACTOR 40 AMP, 2P, 24V (M6)                    |
| 0130M00102     | CONTROL, DEFROST (M4)                             |
| 0130M00099     | CONTROL, DEFROST (M1, M2, M3, M5, M6)             |
| 0130M00074     | CUT-OUT SWITCH, HIGH PRESSURE                     |
| PCBDM133       | DEFROST CONTROL BOARD                             |
| PCBFM103       | ELECTRONIC BLOWER TIME DELAY (M1, M2, M3, M4, M5) |
| 0150G00005     | FAN BLADE (M1, M2)                                |
| 0150G00004     | FAN BLADE (M4, M5, M6)                            |
| B1086765       | FAN BLADE TYPE 3 (M3)                             |
| 0130M00075     | LOW PRESSURE SWITCH                               |
| 0151R00069     | REVERSING VALVE (M1, M2)                          |
| 0151R00071     | REVERSING VALVE (M3, M4, M5, M6)                  |
| 0130M00138     | TRANSFORMER 208/230, 24V                          |

### Expanded Model Nomenclature

|                   |
|-------------------|
| M1 - APH1324H41CA |
| M2 - APH1330H41CA |
| M3 - APH1336H41CA |
| M4 - APH1342H41CA |
| M5 - APH1348H41DA |
| M6 - APH1360H41DA |

# Cabinet Assembly



# Cabinet Assembly

| Ref. Part No: No: | Description:  | Ref. Part No: No: | Description:                              |
|-------------------|---------------|-------------------|---|
| <b>Image 1:</b>   |               |                   |   |
| 11                | 0121G00050PDG |                   | DUCT PANEL 27.5" (M1, M2)                 |
| 11                | 0121G00051PDG |                   | DUCT PANEL 32.5" (M3, M4)                 |
| 11                | 0121G00084PDG |                   | DUCT PANEL 36" (M5, M6)                   |
| 21                | 0121G00521DG  |                   | CORNER PANEL 27.5" (M1, M2)               |
| 21                | 0121G00522DG  |                   | CORNER PANEL 32.5" (M3, M4)               |
| 21                | 0121G00523DG  |                   | CORNER PANEL 36" (M5, M6)                 |
| 31                | 0121G00047PDG |                   | CORNER POST 27.5" (M1, M2)                |
| 31                | 0121G00048PDG |                   | CORNER POST 32.5" (M3, M4)                |
| 31                | 0121G00082PDG |                   | CORNER POST 36" (M5, M6)                  |
| 41                | 0121G00271DG  |                   | EXTERNAL BLOWER PANEL 27.5" (M1, M2)      |
| 41                | 0121G00272DG  |                   | EXTERNAL BLOWER PANEL 32.5" (M3, M4)      |
| 41                | 0121G00273DG  |                   | EXTERNAL BLOWER PANEL 36" (M5, M6)        |
| 51                | 0121G00276DG  |                   | EXTERNAL CONTROL BOX PANEL                |
| 71                | 0121G00072PLG |                   | LOUVERED PANEL 5 BANK 27.5" (M1, M2)      |
| 71                | 0121G00073PLG |                   | LOUVERED PANEL 5 BANK 32.5" (M3, M4)      |
| 71                | 0121G00091PLG |                   | LOUVERED PANEL 5 BANK 36" (M5, M6)        |
| 81                | 0121G00065PDG |                   | EVAP PANEL 8.75" X 27.5" (M1, M2)         |
| 81                | 0121G00066PDG |                   | EVAP PANEL 8.75" X 32.5" (M3, M4)         |
| 81                | 0121G00089PDG |                   | PNL, 36" EXT EVAP RMV (M5, M6)            |
| 91                | B1392011      |                   | GROMMET / HS .62 - .45                    |
| 101               | 0121G00062P   |                   | COMPRESSOR PANEL 13.68" X 27.50" (M1, M2) |
| 101               | 0121G00060P   |                   | COMPRESSOR PANEL 8.75" X 32.50" (M3, M4)  |
| 101               | 0121G00087P   |                   | COMPRESSOR PANEL 8.75" X 36" (M5, M6)     |
| 111               | 0273G00001P   |                   | INSULATED ASSY, BASEPAN                   |
| 121               | 0121G00069PLG |                   | LOUVERED PANEL 4 BANK 27.5" (M1, M2)      |
| 121               | 0121G00070PLG |                   | LOUVERED PANEL 4 BANK 32.5" (M3, M4)      |
| 121               | 0121G00090PLG |                   | LOUVERED PANEL 4 BANK 36" (M5, M6)        |
| 131               | 0121G00044PRF |                   | BASEPAN RAIL (QTY 2)                      |

## Expanded Model Nomenclature

|                   |
|-------------------|
| M1 - APH1324H41CA |
| M2 - APH1330H41CA |
| M3 - APH1336H41CA |
| M4 - APH1342H41CA |
| M5 - APH1348H41DA |
| M6 - APH1360H41DA |

# Chassis Assembly

Image 1

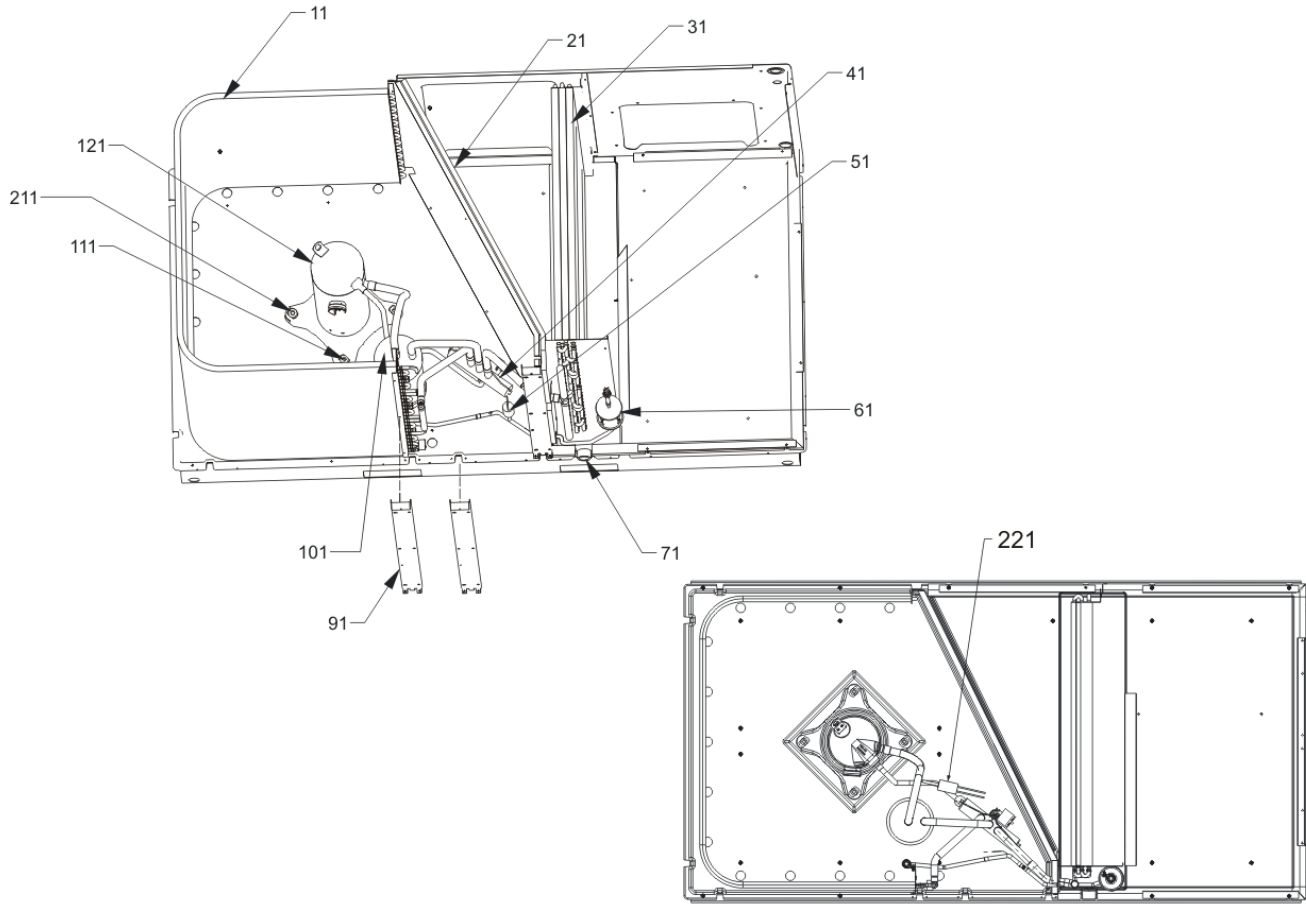


Image 2

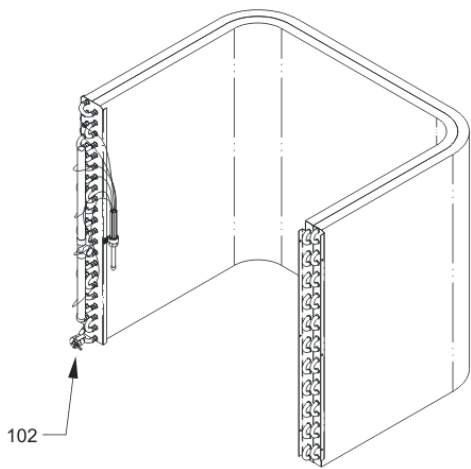
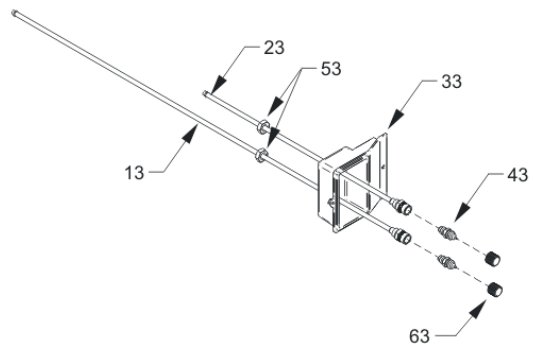


Image 3



# Chassis Assembly

| Ref. Part No: No: | Description:                                      | Ref. Part No: No:                  | Description: |
|-------------------|---|------------------------------------|--------------|
| <b>Image 1:</b>   |   | <b>Expanded Model Nomenclature</b> |              |
| 11                | 0201G00279 TUBING ASSY, COND COIL (M1, M2)        | M1                                 | APH1324H41CA |
| 11                | 0201G00283 TUBING ASSY, COND COIL (M6)            | M2                                 | APH1330H41CA |
| 11                | 0201G00293 TUBING ASSY, COND COIL (M3)            | M3                                 | APH1336H41CA |
| 11                | 0201G00294 TUBING ASSY, COND COIL (M4)            | M4                                 | APH1342H41CA |
| 11                | 0201G00297 TUBING ASSY, COND COIL (M5)            | M5                                 | APH1348H41DA |
| 21                | 0121G00200 PANEL-PARTITION 27.5" (M1, M2)         | M6                                 | APH1360H41DA |
| 21                | 0121G00201 PANEL-PARTITION 32.5" (M3, M4)         |                                    |              |
| 21                | 0121G00203 PANEL-PARTITION 36" (M5, M6)           |                                    |              |
| 31                | 0202G00481 TUBING ASSY, EVAP COIL (M1)            |                                    |              |
| 31                | 0202G00483 TUBING ASSY, EVAP COIL (M2)            |                                    |              |
| 31                | 0202G00516 TUBING ASSY, EVAP COIL (M3)            |                                    |              |
| 31                | 0202G00517 TUBING ASSY, EVAP COIL (M4)            |                                    |              |
| 31                | 0202G00518 TUBING ASSY, EVAP COIL (M6)            |                                    |              |
| 31                | 0202G00519 TUBING ASSY, EVAP COIL (M5)            |                                    |              |
| 41                | 0151R00069 REVERSING VALVE (M1, M2)               |                                    |              |
| 41                | 0151R00071 REVERSING VALVE (M3, M4, M5, M6)       |                                    |              |
| 51                | 0130M00074 CUT-OUT SWITCH, HIGH PRESSURE          |                                    |              |
| 61                | 20485201 BI-FLOW FILTER DRIER                     |                                    |              |
| 71                | 0270G00254 DRAIN PAN ASSY                         |                                    |              |
| 91                | 0121G00045P POST 27.5" (M1, M2)                   |                                    |              |
| 91                | 0121G00079P POST 32.5" (M3, M4)                   |                                    |              |
| 91                | 0121G00083P POST 36" (M5, M6)                     |                                    |              |
| 101               | B1226206 ACCUMULATOR (M1, M2)                     |                                    |              |
| 101               | B1226207 ACCUMULATOR .875 (M3, M4, M5, M6)        |                                    |              |
| 111               | B1339533 COMPRESSOR GROMMET (QTY 4)               |                                    |              |
| 121               | ZP21K5EPFV130 COMPRESSOR 21300, 208/230/60/1 (M1) |                                    |              |
| 121               | ZP25K5EPFV130 COMPRESSOR 25200, 208/230/60/1 (M2) |                                    |              |
| 121               | ZP31K5EPFV130 COMPRESSOR 31100, 208/230/60/1 (M3) |                                    |              |
| 121               | ZP34K5EPFV130 COMPRESSOR 34500, 208/230/60/1 (M4) |                                    |              |
| 121               | ZP39K5EPFV130 COMPRESSOR 39000, 208/230/60/1 (M5) |                                    |              |
| 121               | ZP51K5EPFV130 COMPRESSOR 51000, 208/230/60/1 (M6) |                                    |              |
| 211               | M0221641 TF SHOULDER SCREW (QTY 4)                |                                    |              |
| 221               | 0130M00075 LOW PRESSURE SWITCH                    |                                    |              |
| NS                | 0159G00004 COMPRESSOR SCROLL HARNESS              |                                    |              |
| NS                | 0128G00052 EVAP DRIP SHIELD                       |                                    |              |
| NS                | B1225022 SOLENOID COIL                            |                                    |              |
| <b>Image 2:</b>   |   |                                    |              |
| 102               | 0130M00099 CONTROL, DEFROST (M1, M2, M3, M5, M6)  |                                    |              |
| 102               | 0130M00102 CONTROL, DEFROST (M4)                  |                                    |              |
| <b>Image 3:</b>   |   |                                    |              |
| 13                | 0210G00356 SUCTION TUBE ASSY (M4, M5, M6)         |                                    |              |
| 13                | 0210G00365 SUCTION TUBE ASSY (M1, M2)             |                                    |              |
| 13                | 0210G00366 SUCTION TUBE ASSY (M3)                 |                                    |              |
| 23                | 0210G00600 LIQUID LINE ASSY (M1, M2)              |                                    |              |
| 23                | 0210G00601 LIQUID LINE ASSY (M3, M4, M5, M6)      |                                    |              |
| 33                | 0161G00008 ACCESS-FITTING BOX                     |                                    |              |
| 43                | B1373315 ACCESS FITTING (QTY 2)                   |                                    |              |
| 53                | 0163G00000P FASTEST FITTING NUT (QTY 2)           |                                    |              |
| 63                | 0163M00175 CAP WITH O-RING (QTY 2)                |                                    |              |

# Top Panel / Control Box Assembly

Image 1

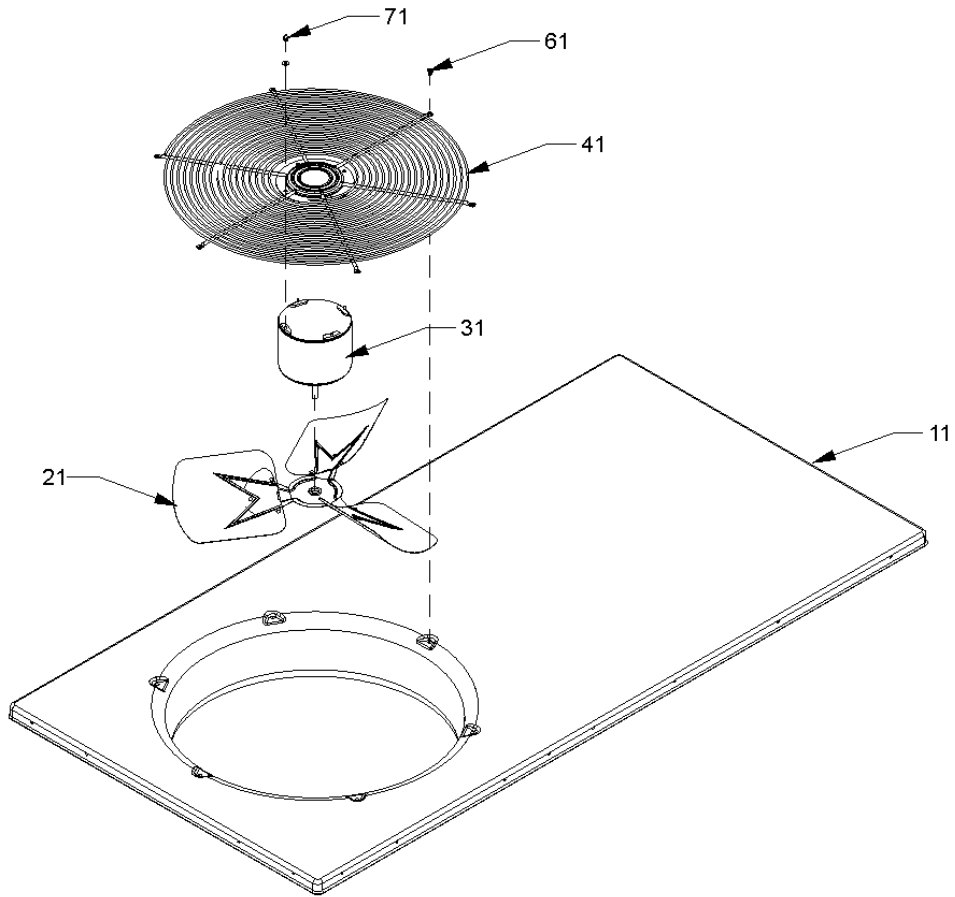
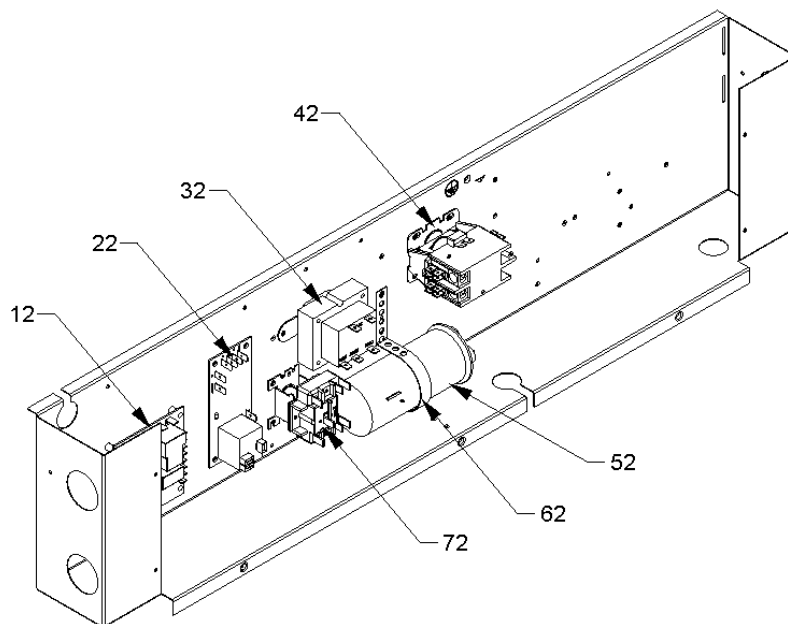


Image 2





# Top Panel / Control Box Assembly

| Ref. Part No: No: | Description: | Ref. Part No: No: | Description: |
|-------------------|--------------|-------------------|--------------|
|-------------------|--------------|-------------------|--------------|

**Image 1:**

|    |              |  |
|----|--------------|--|
| 11 | 0274G00037   | INSULATED ASSY, TOP PANEL                        |
| 21 | 0150G00004   | FAN BLADE (M4, M5, M6)                           |
| 21 | 0150G00005   | FAN BLADE (M1, M2)                               |
| 21 | B1086765     | FAN BLADE TYPE 3 (M3)                            |
| 31 | 0131M00061   | COND MOTOR 1/4 HP, 1 SP, 8 PL (M3)               |
| 31 | 0131M00429   | COND MOTOR 1/4 HP, 1 SP, 6 PL (M4, M5, M6)       |
| 31 | 0131M00009P  | COND MOTOR 1/6 HP, 1 SP, 8 PL (M1, M2)           |
| 41 | 0152G00002   | FAN GRILLE                                       |
| 61 | M0221817     | SMALL SCREW (QTY 6)                              |
| 71 | 0163M00006P  | ACORN NUT 5/16 HEX BLACK (QTY 4)                 |
| NS | 17788000083F | PVC CONDUIT 8.25"                                |
| NS | 0259G00003   | WIRE HARNESS, ELECTRIC HEAT (M6)                 |
| NS | 0259G00005   | WIRE HARNESS, ELECTRIC HEAT (M1, M2, M3, M4, M5) |

**Image 2:**

|    |                |   |
|----|----------------|---|
| 12 | PCBDM133       | DEFROST CONTROL BOARD                             |
| 22 | PCBFM103       | ELECTRONIC BLOWER TIME DELAY (M1, M2, M3, M4, M5) |
| 32 | 0130M00138     | TRANSFORMER 208/230, 24V                          |
| 42 | CONT1P025024V  | CONTACTOR 25 AMP, 1P, 24V (M1, M2, M3)            |
| 42 | CONT1P030024V  | CONTACTOR 30 AMP, 1P, 24V (M4, M5)                |
| 42 | CONT2P040024V  | CONTACTOR 40 AMP, 2P, 24V (M6)                    |
| 52 | CAP050400440RT | CAPACITOR 5/40/440V (M1, M2)                      |
| 52 | CAP050450440RT | CAPACITOR 5/45/440V (M3, M4, M5)                  |
| 52 | CAP050700440RT | CAPACITOR 5/70/440V (M6)                          |
| 62 | 20520901       | CAPACITOR STRAP                                   |
| 72 | 0130M00014     | 240 VOLT RELAY (M1, M2, M3, M4, M5)               |

**Expanded Model Nomenclature**

|                   |
|-------------------|
| M1 - APH1324H41CA |
| M2 - APH1330H41CA |
| M3 - APH1336H41CA |
| M4 - APH1342H41CA |
| M5 - APH1348H41DA |
| M6 - APH1360H41DA |

# Blower Assembly

Image 1

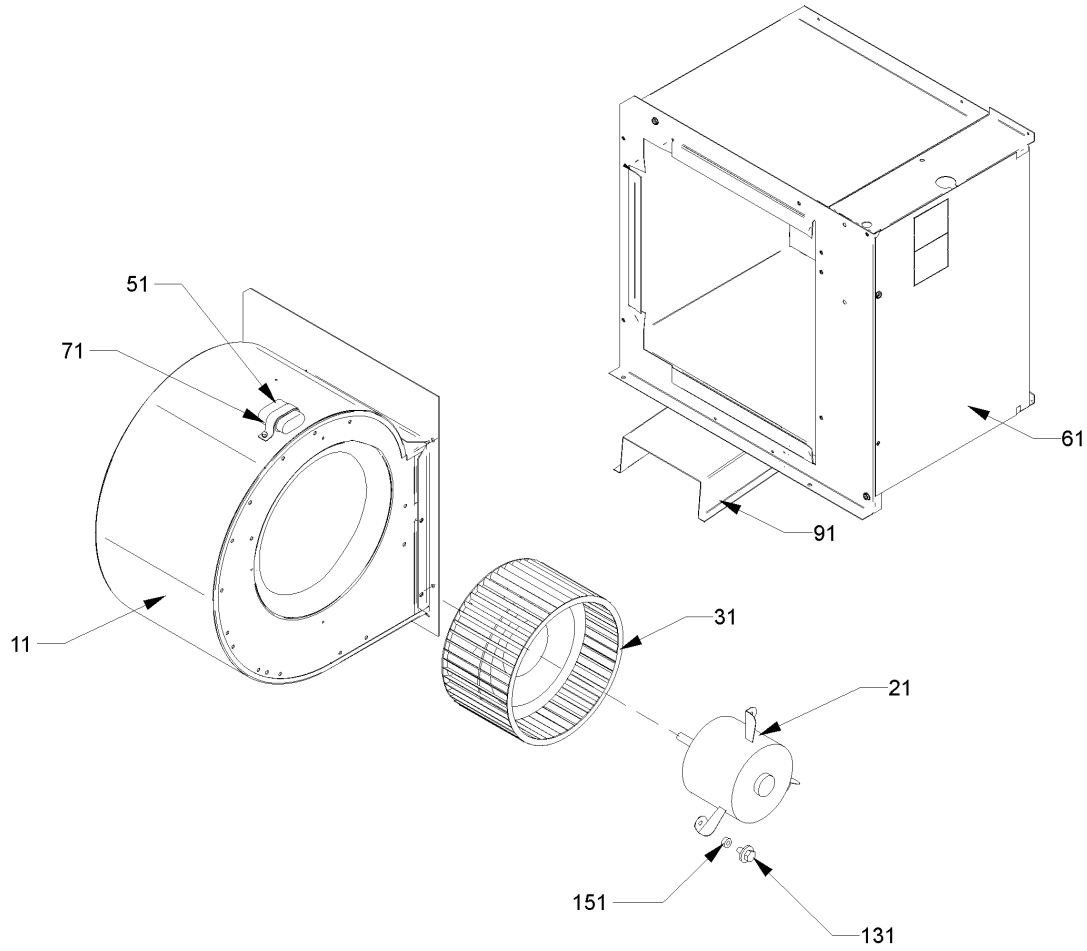
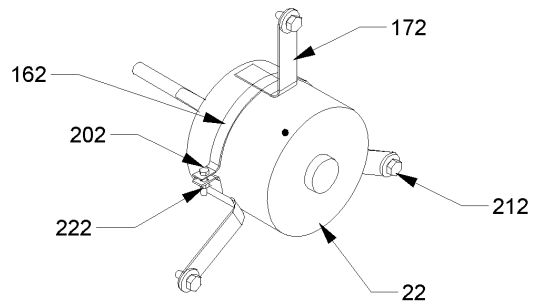


Image 2



# Blower Assembly

| Ref. Part No: No: | Description: | Ref. Part No: No: | Description: |
|-------------------|--------------|-------------------|--------------|
|-------------------|--------------|-------------------|--------------|

**Image 1:**

|     |                |   |
|-----|----------------|---|
| 11  | 10324248       | BLOWER HOUSING 10 X 8 (M4, M5)                |
| 11  | 0271G00017     | BLOWER HOUSING 11 X 8 (M6)                    |
| 11  | 10324246       | BLOWER HOUSING 9 X 6 (M1, M2)                 |
| 11  | 10324247       | BLOWER HOUSING 9 X 8 (M3)                     |
| 21  | 0131M00010P    | BLOWER MOTOR 1/2 HP, 3 SP, 8 PL (M4, M5)      |
| 21  | 11091202       | BLOWER MOTOR 1/3 HP, 3 SP, 6 PL (M2, M3)      |
| 21  | 11091207       | BLOWER MOTOR 1/4 HP, 3 SP, 8 PL (M1)          |
| 21  | 0131M00389     | BLOWER MOTOR 3/4 HP, 230V X 13 TYPE (M6)      |
| 31  | B1368016       | BLOWER WHEEL 10 X 8 (M4, M5)                  |
| 31  | B1368054       | BLOWER WHEEL 11 X 8 (M6)                      |
| 31  | 0150M00000P    | BLOWER WHEEL 9 X 6 (M2)                       |
| 31  | B1368042       | BLOWER WHEEL 9 X 6 (M1)                       |
| 31  | B1368036       | BLOWER WHEEL 9 X 8 (M3)                       |
| 51  | CAP100000370LA | CAPACITOR 10/370V (M1, M2, M3)                |
| 51  | CAP150000370LA | CAPACITOR 15/370V (M4, M5)                    |
| 61  | 0121G00039P    | HEATER KIT COVER                              |
| 71  | 20520901       | CAPACITOR STRAP (M1, M2, M3, M4, M5)          |
| 91  | 0121G00040P    | BLOWER SUPPORT                                |
| 131 | M0250558       | TC SCREW (M1, M2, M3, M4, M5)                 |
| 151 | B1392143       | GROMMET, 26TAL F/TORSIN FLEX (M1, M3, M4, M5) |
| NS  | C6121802       | BLOWER CUT-OFF (M1, M2)                       |
| NS  | C6121810       | BLOWER CUT-OFF (M3, M4, M5)                   |
| NS  | 2964700        | BLOWER CUT-OFF 11 X 8 (M6)                    |
| NS  | B821700        | CAPACITOR BOOT (M1, M2, M3, M4, M5)           |

**Image 2:**

|     |            |  |
|-----|------------|--|
| 22  | 0131M00425 | BLOWER MOTOR (M6)                        |
| 162 | 0121M00038 | MOTOR MOUNT BAND (M6)                    |
| 172 | B1376857   | MOTOR MOUNT ARM (M6)                     |
| 202 | B1393800   | LOCKNUT, NYLON, INSERT 1/4, 20 (M6)      |
| 212 | M0250565   | TC SCREW 1.25" (M6)                      |
| 222 | B1393323   | MACHINE SCREW HWH 1/4-20 X 1-1/2 BZ (M6) |

**Expanded Model Nomenclature**

|                   |
|-------------------|
| M1 - APH1324H41CA |
| M2 - APH1330H41CA |
| M3 - APH1336H41CA |
| M4 - APH1342H41CA |
| M5 - APH1348H41DA |
| M6 - APH1360H41DA |