

APG16 "M" Residential Package Gas Units

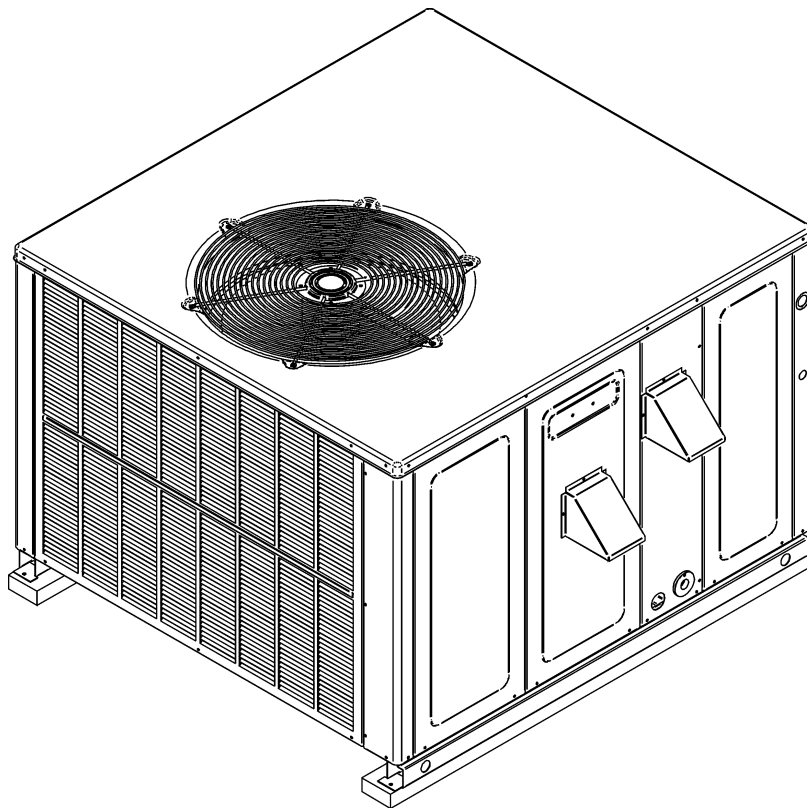
APG1624060M41AA

APG1630080M41AA

APG1636080M41AA

APG1642100M41AA

APG1648100M41AA



Amana® is a registered trademark of Maytag Corporation or its related companies and is used under license to Goodman Company, L.P., Houston, TX, USA. All rights reserved.

This manual is to be used by qualified technicians only.

© 2015 Goodman Company, L.P. ♦ 5151 San Felipe St., Suite 500 ♦ Houston, TX 77056

Important Information

Index

Functional Parts List	3
Illustration and Parts	4 - 15

Views shown are for parts illustrations only, not servicing procedures

Text Codes:

AR - As Required

NA - Not Available

NS - Not Shown

00000000 - See Note

QTY - Quantity Example (QTY 3) (If Quantity not shown, Quantity = 1)

M - Model Example (M1) (If M Code not shown, then part is used on all Models)

Expanded Model Nomenclature:

Example M1 - Model#1 M2 - Model#2 M3 - Model#3

Goodman Company, L.P. is not responsible for personal injury or property damage resulting from improper service. Review all service information before beginning repairs.

Warranty service must be performed by an authorized technician, using authorized factory parts. If service is required after the warranty expires, Goodman Company, L.P. also recommends contacting an authorized technician and using authorized factory parts.

Goodman Company, L.P. reserves the right to discontinue, or change at any time, specifications or designs without notice or without incurring obligations.

For assistance within the U.S.A. contact:

Consumer Affairs Department

Goodman Company, L.P.

7401 Security Way

Houston, Texas 77040

877-254-4729-Telephone

713-863-2382-Facsimile

For assistance outside the U.S.A. contact:

International Division

Goodman Company, L.P.

7401 Security Way

Houston, Texas 77040

713-861-2500-Telephone

713-863-2382-Facsimile

Functional Parts

Part

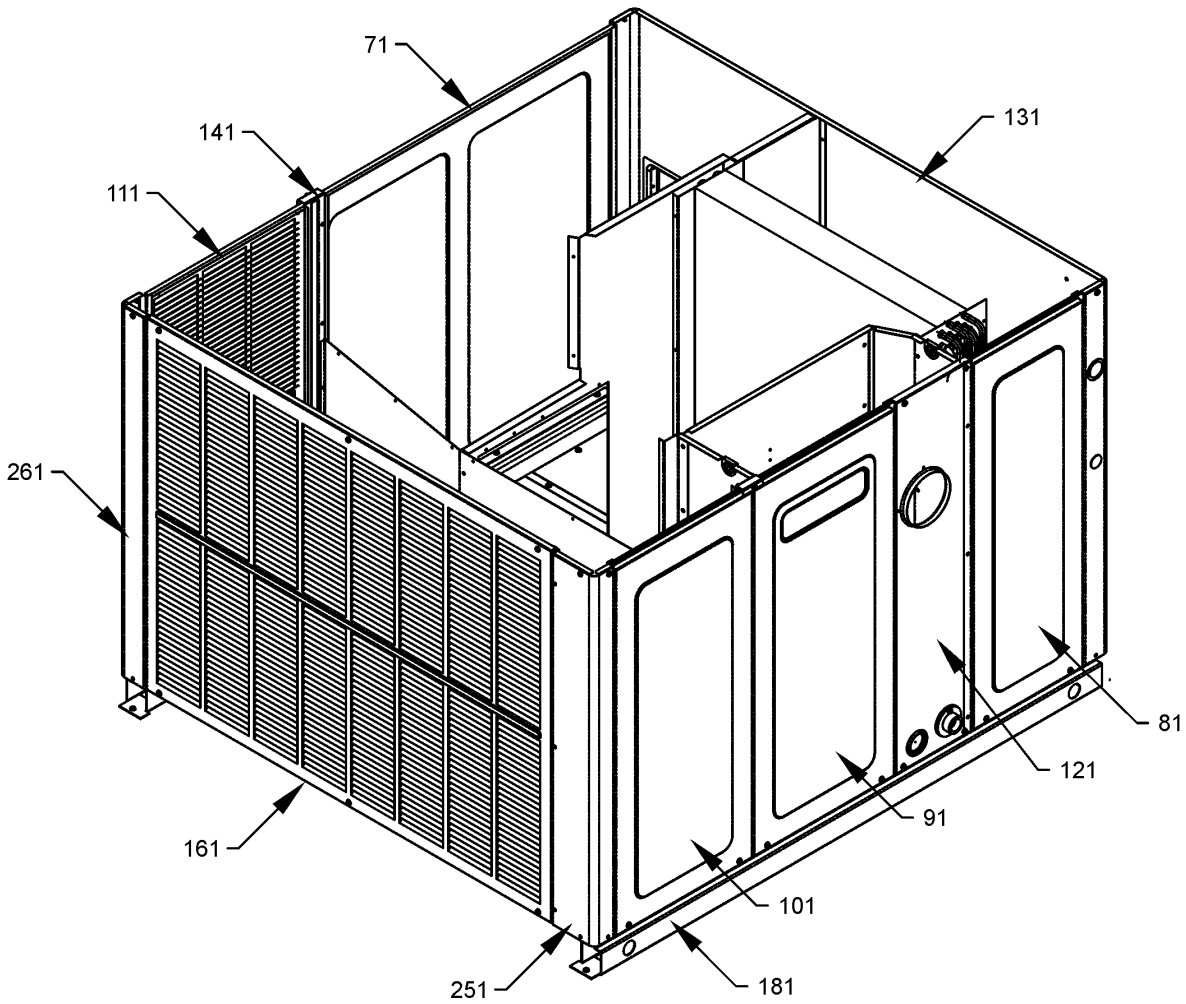
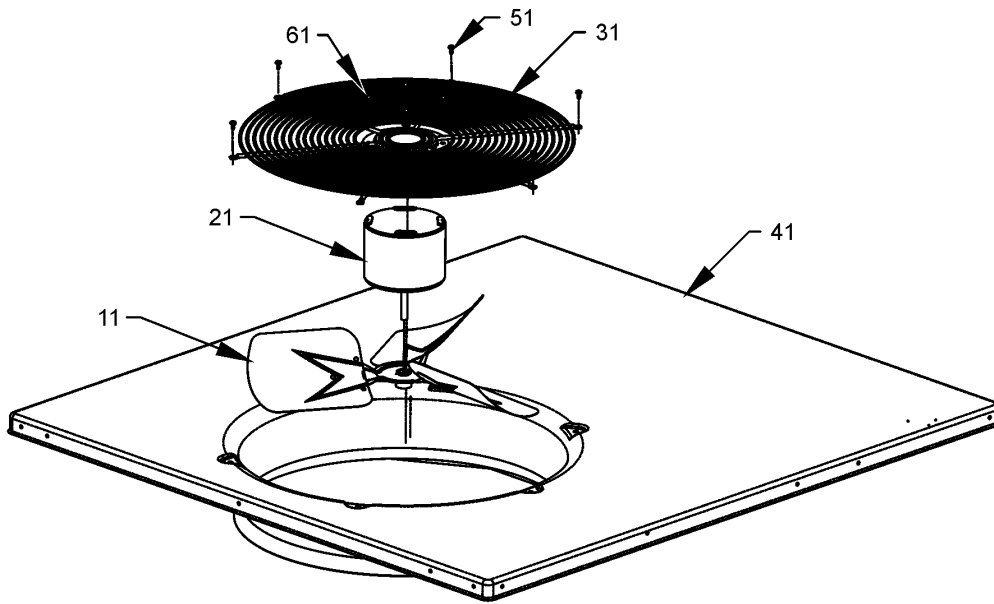
No: Description:

0163F00017	BECKETT BURNER (QTY A/R)
D6723303	BLOWER WHEEL (M2)
B1368016	BLOWER WHEEL 10 X 8 (M1)
B1368000	BLOWER WHEEL 11 X 10 (M3, M4, M5)
CAP050350440R	CAPACITOR 5/35/440V (M1)
CAP050400440CT	CAPACITOR 5/40/440V/DUAL RD (M2, M3)
CAP050450440CT	CAPACITOR 5/45/440V/DUAL RD (M4)
ZPS20K5EPFV130	COMP, 20000,208/130 (M1)
ZPS30K5EPFV130	COMP,30000,208/230 (M3)
ZPS40K5EPFV130	COMPRESSOR 41100, 208/230/60/1 (M5)
ZPS35K5EPFV130	COMPRESSOR, COPELAND (M4)
ZPS26K5EPFV130	COMPRESSOR, COPELAND (M2)
0131M00061	COND MOTOR 1/4 HP, 1 SP, 8 PL (M2, M3)
0131M00429	COND MOTOR 1/4 HP, 1 SP,6 PL (M4, M5)
0131M00009P	COND MOTOR 1/6 HP, 1 SP, 8 PL (M1)
CONT1P025024V	CONTACTOR 25 AMP, 1P, 24V (M1, M2, M3)
CONT1P030024V	CONTACTOR 30 AMP, 1P, 24V (M4)
CONT2P040024V	CONTACTOR 40 AMP, 2P, 24V (M5)
0130M00074	CUT-OUT SWITCH, HIGH PRESSURE
B1086773	FAN BLADE 22" (M1)
0150G00002	FAN BLADE SWEPT-WING (M2)
0150G00003	FAN BLADE SWEPT-WING (M3, M4, M5)
0130F00010	FLAME SENSOR
0151F00000P	GAS VALVE - WHITE-RODGERS 2-STAGE
0131G00001	ID BLOWER
PCBAG127	IGNITION BOARD, DSI, 2 STG
0130F00014	IGNITOR
10728342	LIMIT SWITCH (M2, M3)
10728343	LIMIT SWITCH (M1)
10728344	LIMIT SWITCH (M4, M5)
10123532	MANUAL RESET LIMIT 350°F (M2)
10123529	MANUAL RESET LIMIT-GREEN (M1, M3, M4, M5)
11112501	PRESSURE SWITCH
0131G00072	PROGRAMMED MOTOR (M5)
0131G00071	PROGRAMMED MOTOR (M4)
0131G00070	PROGRAMMED MOTOR (M3)
0131G00069	PROGRAMMED MOTOR (M2)
0131G00068	PROGRAMMED MOTOR (M1)
0130M00138	TRANSFORMER 208/230, 24V
0151M00047	VALVE, NXT (M5)
0151G00058	VALVE-TXV R410A (M1, M2, M3, M4)

Expanded Model Nomenclature

M1 - APG1624060M41AA
M2 - APG1630080M41AA
M3 - APG1636080M41AA
M4 - APG1642100M41AA
M5 - APG1648100M41AA

Top Panel / Fan / Cabinet



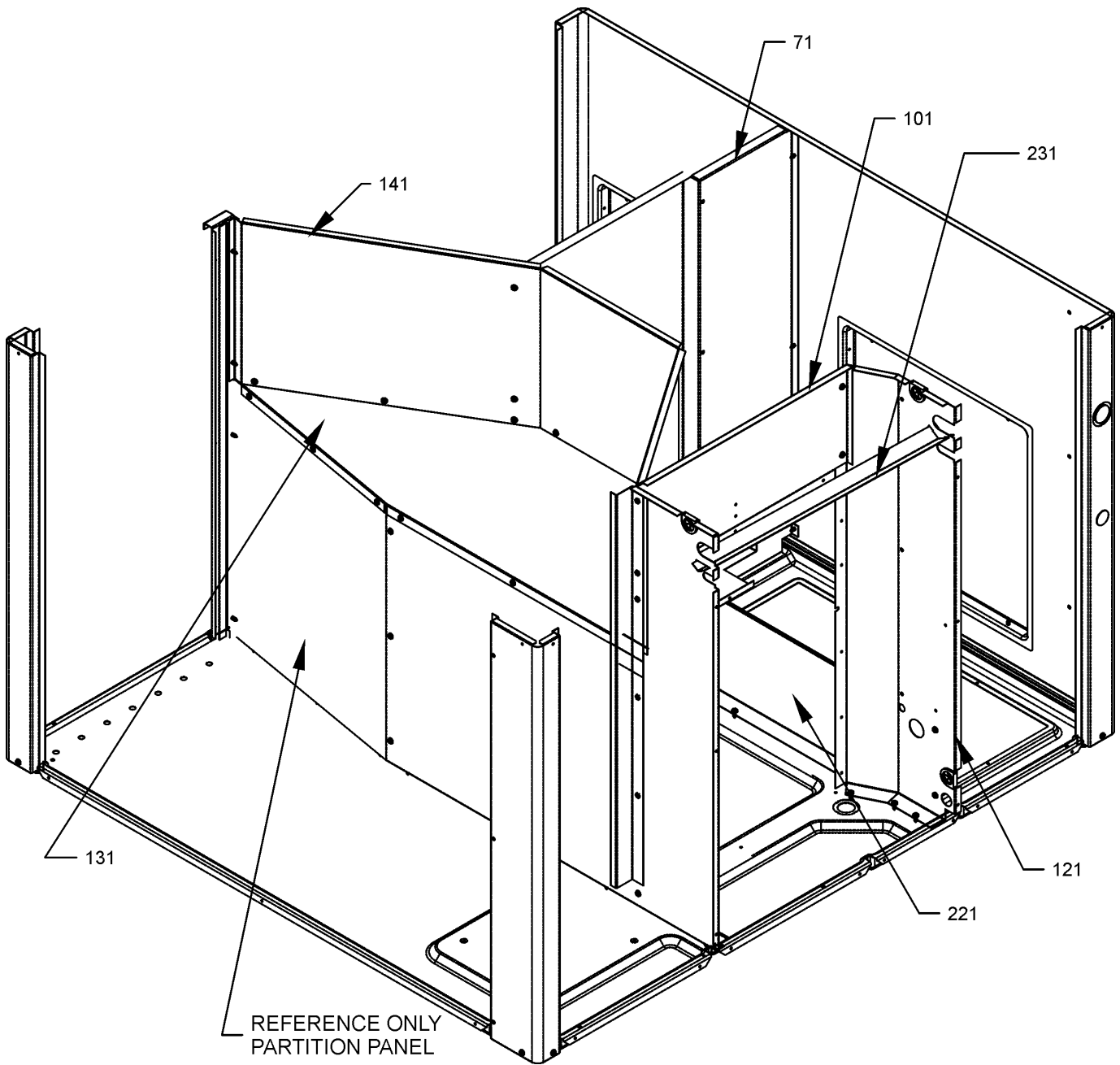
Top Panel / Fan / Cabinet

Ref. Part No: No:	Description:	Ref. Part No: No:	Description:
Image 1:			
11	B1086773		FAN BLADE 22" (M1)
11	0150G00002		FAN BLADE SWEPT-WING (M2)
11	0150G00003		FAN BLADE SWEPT-WING (M3, M4, M5)
21	0131M00061		COND MOTOR 1/4 HP, 1 SP, 8 PL (M2, M3)
21	0131M00429		COND MOTOR 1/4 HP, 1 SP, 6 PL (M4, M5)
21	0131M00009P		COND MOTOR 1/6 HP, 1 SP, 8 PL (M1)
31	0152G00003		FAN GRILLE
41	0121G00156PDG		TOP PANEL
51	M0221817		SMALL SCREW (QTY 6)
61	0163M00006P		ACORN NUT 5/16 HEX BLACK (QTY 4)
71	20464801PDG		BLOWER DOOR 32" (M1, M2)
71	20464806PDG		BLOWER DOOR 40" (M3, M4, M5)
81	20464802PDG		EVAP/CONTROL DOOR 32" (M1, M2)
81	20464807PDG		EVAP/CONTROL DOOR-40 (M3, M4, M5)
91	0121G00526DG		HEAT EXCHANGER DOOR 32" (M1, M2)
91	0121G00527DG		HEAT EXCHANGER DOOR 40" (M3, M4, M5)
101	20464804PDG		COMPRESSOR DOOR 32" (M1, M2)
101	20464809PDG		COMPRESSOR DOOR 40" (M3, M4, M5)
111	0121G00465DG		COND SIDE PANEL- 32 (M2)
111	20467701PLG		LOUVERED PANEL, COND SIDE 32" (M1)
111	20467702PLG		LOUVERED PANEL, COND SIDE 40" (M3, M4, M5)
121	20466101PDG		UTILITY PANEL 32" (M1, M2)
121	20466102PDG		UTILITY PANEL 40" (M3, M4, M5)
131	0121G00442DG		PNL, DUCT, GAS 32.5" (M1, M2)
131	0121G00443DG		PNL, DUCT, GAS 40" (M3, M4, M5)
141	0121G00460		POST-SUPPORT, SIDE (M1, M2)
141	0121G00462		POST-SUPPORT, SIDE (M3, M4)
161	20464401PLG		LOUVERED PANEL, COND SIDE 32" (M1, M2)
161	20464402PLG		LOUVERED PANEL, COND SIDE 40" (M3, M4, M5)
181	0121G00290		BASE PAN RAIL (QTY 2)
251	20464201PDG		CORNER POST-COMP END 32" (M1)
251	20464202PDG		CORNER POST-COMP END 40" (M3, M4)
251	0121G00453DG		CORNER-POST COMP END, PNT (M2)
251	0121G00455DG		CORNER-POST COMP END, PNT (M5)
261	0121G00454DG		CORNER-POST HPIN END, PNT (M1, M2)
261	0121G00456DG		CORNER-POST HPIN END, PNT (M3, M4, M5)
NS	0121G00323		FLUE HOOD (QTY 2)
NS	0270G00131		FLUE HOOD ASSY
NS	0121G00190		FLUE HOOD-LOWER
NS	B1910012		GAS LINE GROMMET
NS	17788000083F		PVC CONDUIT 8.25"
NS	20472601		SCREEN-FLUE HOOD

Expanded Model Nomenclature

M1 - APG1624060M41AA
M2 - APG1630080M41AA
M3 - APG1636080M41AA
M4 - APG1642100M41AA
M5 - APG1648100M41AA

Partition Assembly



Partition Assembly

Ref. Part No:	No:	Description:	Ref. Part No:	No:	Description:
<i>Image 1:</i>					
71	20465302	BLOWER DIVIDER (M3, M4, M5)			
71	20465305	BLOWER DIVIDER (M1)			
71	20465304	BLOWER DIVIDER 32" 10 X 9 (M2)			
101	20465201	FILLER PANEL, HEAT EXCHANGER 32" (M1, M2)			
101	20465202	FILLER PANEL, HEAT EXCHANGER 40" (M3, M4, M5)			
121	20465501	EVAP/HEAT EXCHANGER DIVIDER 32" (M1, M2)			
121	20465502	EVAP/HEAT EXCHANGER DIVIDER 38" (M3, M4, M5)			
131	20465701	FAN PARTITION SHELF			
141	20465801	FAN SURROUND 32" (M1, M2)			
141	20465802	FAN SURROUND 40" (M3, M4, M5)			
221	20463802	EVAP/BASEPAN BLOCK 32" (M3, M4, M5)			
221	20463801	EVAP/BASEPAN BLOCK 40" (M3, M4, M5)			
231	0121G00555	DRAIN CHANNEL, SUCTION TUBE			

Expanded Model Nomenclature

M1 - APG1624060M41AA
M2 - APG1630080M41AA
M3 - APG1636080M41AA
M4 - APG1642100M41AA
M5 - APG1648100M41AA

Basepan / Blower Assembly

Image 1

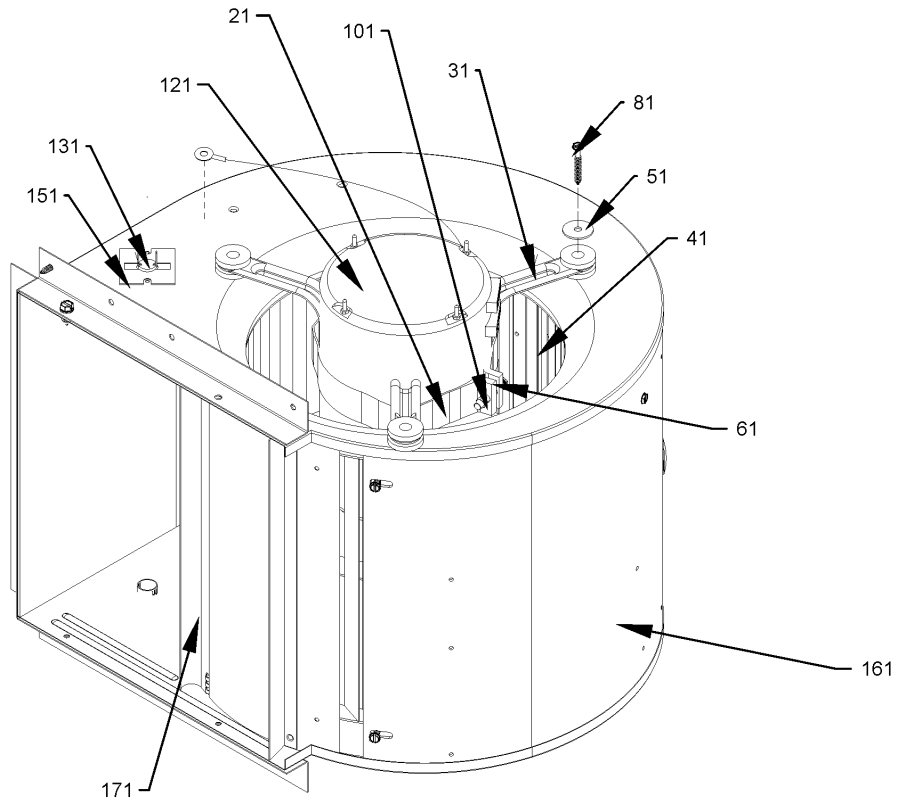
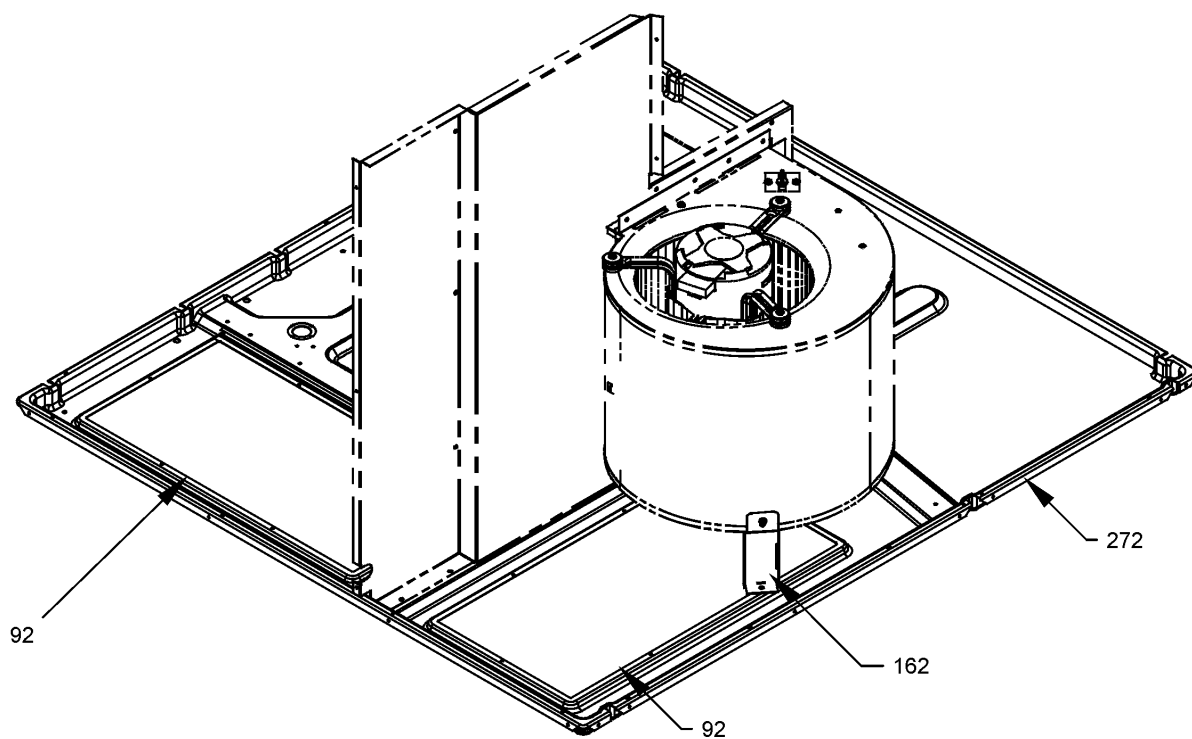


Image 2



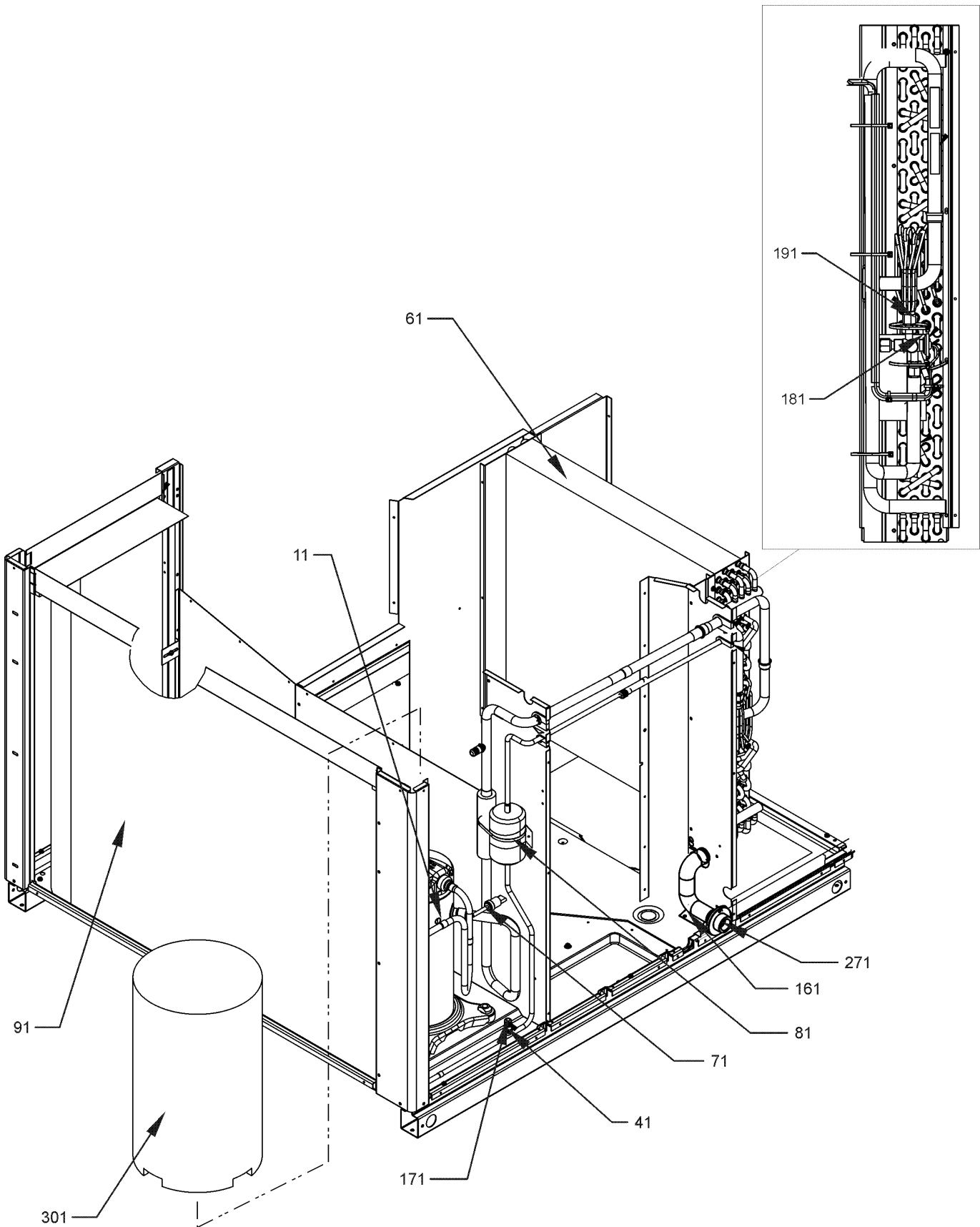
Basepan / Blower Assembly

Ref. Part No: No:	Description:	Ref. Part No: No:	Description:
Image 1:			
21	0121M00038		MOTOR MOUNT BAND
31	B1376857		MOTOR MOUNT ARM (QTY 3)
41	D6723303		BLOWER WHEEL (M2)
41	B1368016		BLOWER WHEEL 10 X 8 (M1)
41	B1368000		BLOWER WHEEL 11 X 10 (M3, M4, M5)
51	B1392918		WASHER FLAT 1/4 ID X 1 OD (QTY 3)
61	B1393323		MACHINE SCREW HWH 1/4-20 X 1-1/2 BZ
81	M0250565		TC SCREW 1.25" (QTY 3)
101	B1393800		LOCKNUT, NYLON, INSERT 1/4, 20
121	0131G00068		PROGRAMMED MOTOR (M1)
121	0131G00069		PROGRAMMED MOTOR (M2)
121	0131G00070		PROGRAMMED MOTOR (M3)
121	0131G00071		PROGRAMMED MOTOR (M4)
121	0131G00072		PROGRAMMED MOTOR (M5)
131	20269903		AUXILIARY LIMIT, AUTO RESET
151	2509503F		AUXILIARY LIMIT BRACKET
161	0271G00025		BLOWER HOUSING ASSY 10 X 8 (M1) BLOWER
161	0271G00024		HOUSING ASSY 10 X 9 (M2) BLOWER
161	2539309		HOUSING ASSY 11 X 10 (M3, M4, M5) BLOWER
171	764742		BLOCK-OFF (M2)
171	764740		BLOWER BLOCK-OFF 10 X 8 (M1)
171	1864703F		BLOWER CUT-OFF (M3, M4, M5)
Image 2:			
92	0121G00148		SINGLE COVER, DOWN DISCHARGE (QTY 2)
162	4322801		11 X 10 BLOWER SUPPORT LRG (M3, M4, M5)
272	0121G00444		BASEPAN, PACKAGE

Expanded Model Nomenclature

- | |
|----------------------|
| M1 - APG1624060M41AA |
| M2 - APG1630080M41AA |
| M3 - APG1636080M41AA |
| M4 - APG1642100M41AA |
| M5 - APG1648100M41AA |

Compressor / Tubing Assembly



Compressor / Tubing Assembly

Ref. Part No: No:	Description:	Ref. Part No: No:	Description:
-------------------	--------------	-------------------	--------------

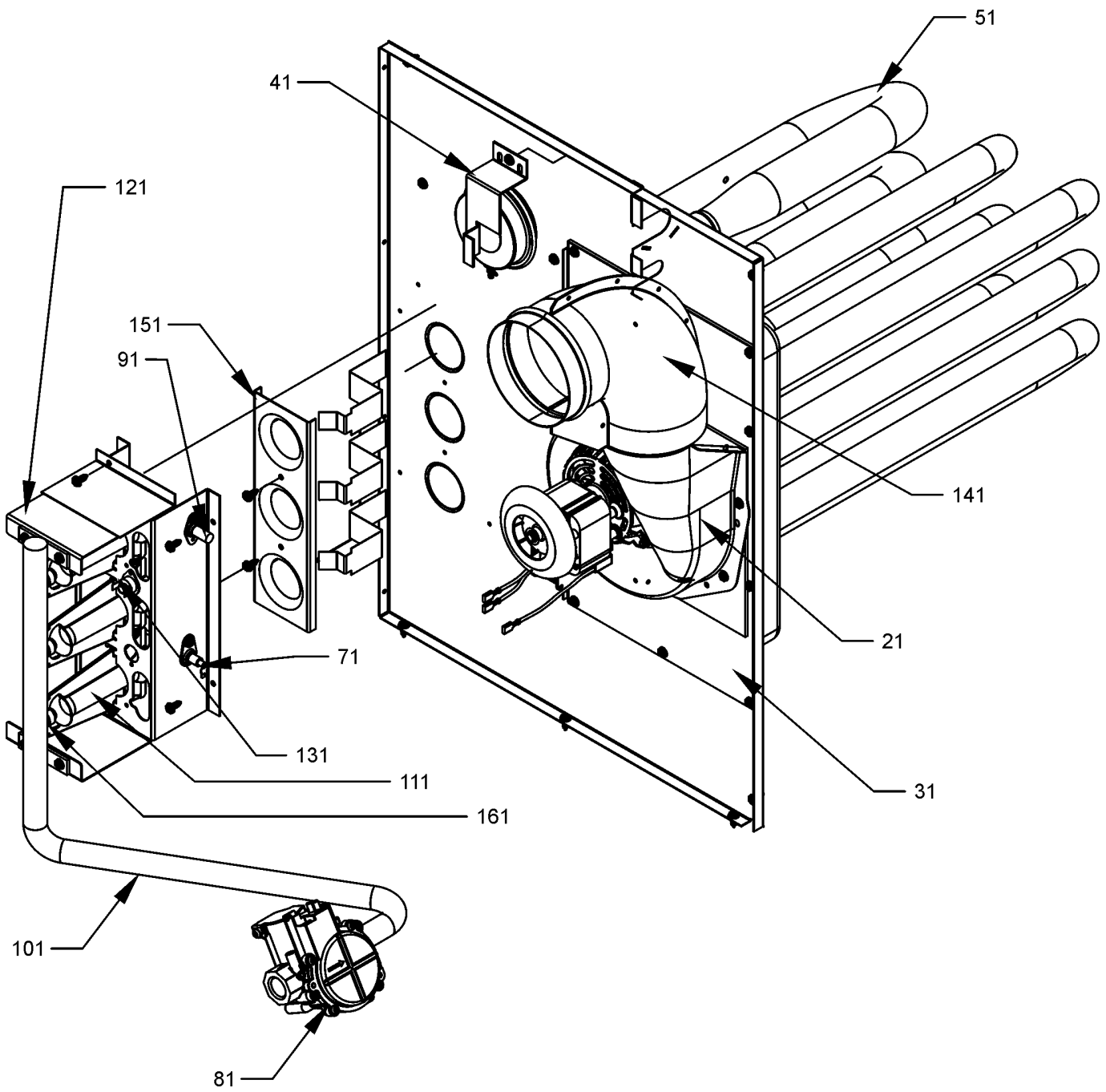
Image 1:

11	ZPS20K5EPFV130	COMP, 20000,208/130 (M1)
11	ZPS30K5EPFV130	COMP,30000,208/230 (M3)
11	ZPS40K5EPFV130	COMPRESSOR 41100, 208/230/60/1 (M5)
11	ZPS26K5EPFV130	COMPRESSOR, COPELAND (M2)
11	ZPS35K5EPFV130	COMPRESSOR, COPELAND (M4)
41	B1373315	ACCESS FITTING (QTY 2)
61	0202G00538	EVAP COIL ASSY (M5)
61	0202G00681	EVAP COIL ASSY (M1, M2)
61	0202G00682	EVAP COIL ASSY (M3, M4)
71	0130M00074	CUT-OUT SWITCH, HIGH PRESSURE
81	B1219212	SINGLE-FLOW FILTER DRIER, STEEL (M1, M2)
81	B1219212	SINGLE-FLOW FILTER DRIER, STEEL (M1, M2)
81	B1219225	SINGLE-FLOW FILTER DRIER, STEEL (M3, M4, M5)
81	B1219225	SINGLE-FLOW FILTER DRIER,STEEL (M3, M4, M5)
91	0201G00142	COND COIL TUBING ASSY (M1)
91	0201G00249	COND COIL TUBING ASSY (M2)
91	0201G00368	COND COIL TUBING ASSY (M3, M4)
91	0201G00369	COND COIL TUBING ASSY (M5)
161	20498302	DRAIN TUBE 32" (M1, M2)
161	20498301	DRAIN TUBE 40" (M3, M4, M5)
171	0163M00175	CAP WITH O-RING (QTY 2)
181	0151M00047	VALVE, NXT (M5)
181	0151G00058	VALVE-TXV R410A (M1, M2, M3, M4)
191	0162M00303	FLOWRATOR, AL (M3, M4, M5)
191	0162M00331	FLOWRATOR, AL (M1, M2)
271	20513001	EVAP DRAIN FITTING
301	B1488806	COMPRESSOR SOUND BLANKET (M4, M5)
301	B1488807	COMPRESSOR SOUND BLANKET (M1, M2, M3)
NS	0259G00159	BLOWER HARNESS
NS	B1339533	COMPRESSOR GROMMET (QTY 4)
NS	0159G00005	COMPRESSOR SCROLL HARNESS (M1, M2)
NS	0159G00006	COMPRESSOR SCROLL HARNESS (M3, M4, M5)
NS	0159G00001	COMPRESSOR SOLENOID CABLE
NS	20464901DF	DRAIN PAN-EVAP COIL
NS	B1810011	HOSE CLAMP 1.25 (QTY 2)
NS	M0221641	SCREW-SHOULDER TF (QTY 4)
NS	M0221641	TF SHOULDER SCREW (QTY 4)

Expanded Model Nomenclature

M1 - APG1624060M41AA
M2 - APG1630080M41AA
M3 - APG1636080M41AA
M4 - APG1642100M41AA
M5 - APG1648100M41AA

Heat Exchanger / Manifold / Gas Valve



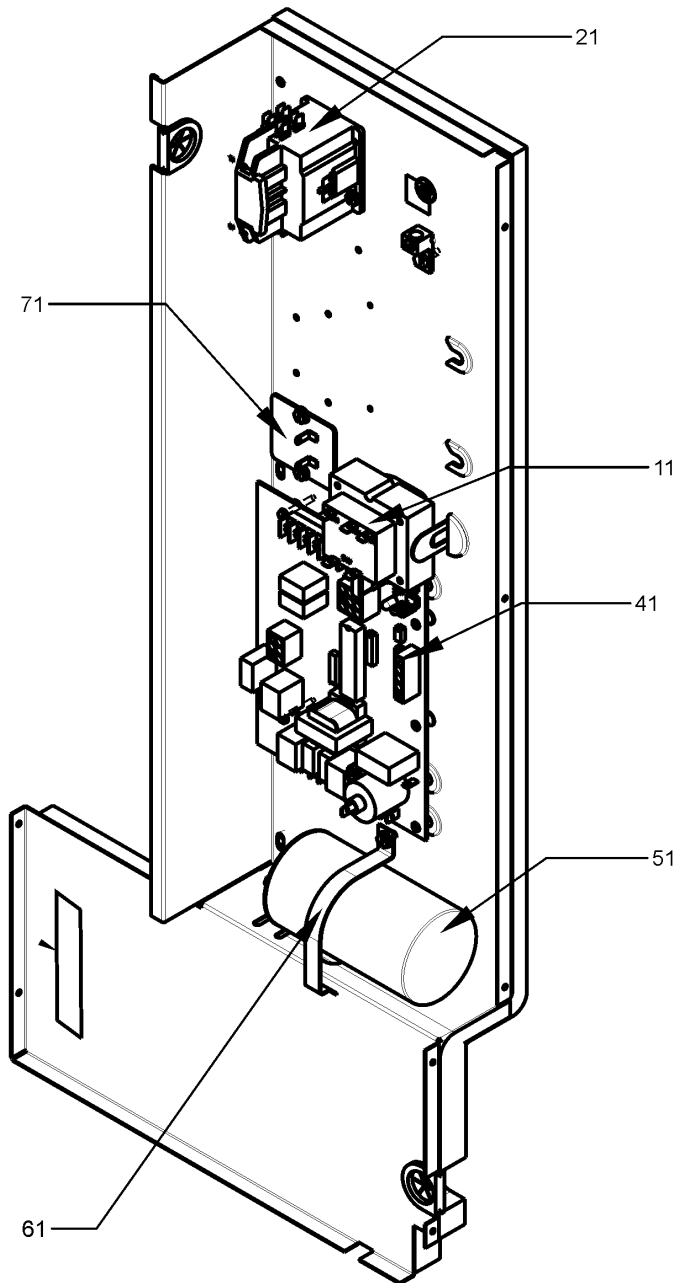
Heat Exchanger / Manifold / Gas Valve

Ref. Part No:	No:	Description:	Ref. Part No:	No:	Description:
<i>Image 1:</i>					
21	0131G00001	ID BLOWER			
31	20463101	ID BLOWER PLATE SML 2 BRNR (M2)			
31	0121G00584	PLATE-ID BLWR LRG BRNR (M3)			
31	0121G00582	PLATE-ID BLWR LRG 6 BRNR (M4, M5)			
31	0121G00579	PLATE-ID BLWR SML 3 BRNR (M1)			
41	11112501	PRESSURE SWITCH			
51	20490710	PART/TUBE ASSY 3B (M1)			
51	20490711	PART/TUBE ASSY 4B (M2)			
51	20490712	PART/TUBE ASSY 4B (M3)			
51	20490713	PART/TUBE ASSY 5B (M4, M5)			
71	0130F00014	IGNITOR			
81	0151F00000P	GAS VALVE - WHITE-RODGERS 2-STAGE			
91	0130F00010	FLAME SENSOR			
101	20493103	MANIFOLD - 3 BRNR (M1)			
101	20493104	MANIFOLD - 4 BRNR (M2)			
101	20493105	MANIFOLD - 4 BRNR (M3)			
101	20493106	MANIFOLD - 5 BRNR (M4, M5)			
111	0163F00017	BECKETT BURNER (QTY A/R)			
121	20190411	BURNER BRACKET 3B (M1)			
121	20190412	BURNER BRACKET 4B (M2, M3)			
121	20190413	BURNER BRACKET 5B (M4, M5)			
131	10123532	MANUAL RESET LIMIT 350°F (M2)			
131	10123529	MANUAL RESET LIMIT-GREEN (M1, M3, M4, M5)			
141	20484401	FLUE ELBOW LEFT			
141	20484402	FLUE ELBOW RIGHT			
151	11072202	ORIFICE SHIELD (M1)			
151	11072203	ORIFICE SHIELD (M2, M3)			
151	11072204	ORIFICE SHIELD (M4, M5)			
161	0163F00004	ORIFICE (M3, M4, M5)			
161	10716005	ORIFICE (M1, M2)			
NS	20463001	ID BLOWER PLATE GASKET LRG (M3, M4, M5)			
NS	20462801	ID BLOWER PLATE GASKET SML (M1, M2)			

Expanded Model Nomenclature

- M1 - APG1624060M41AA
- M2 - APG1630080M41AA
- M3 - APG1636080M41AA
- M4 - APG1642100M41AA
- M5 - APG1648100M41AA

Control Panel



Control Panel

Ref. Part

No: No:

Description:

Ref. Part

No: No:

Description:

Image 1:

11	0130M00138	TRANSFORMER 208/230, 24V
21	CONT1P025024V	CONTACTOR 25 AMP, 1P, 24V (M1, M2, M3)
21	CONT1P030024V	CONTACTOR 30 AMP, 1P, 24V (M4)
21	CONT2P040024V	CONTACTOR 40 AMP, 2P, 24V (M5)
41	PCBAG127	IGNITION BOARD, DSI, 2 STG
51	CAP050350440R	CAPACITOR 5/35/440V (M1)
51	CAP050400440CT	CAPACITOR 5/40/440V/DUAL RD (M2, M3)
51	CAP050450440CT	CAPACITOR 5/45/440V/DUAL RD (M4)
61	20520901	CAPACITOR STRAP
71	10728342	LIMIT SWITCH (M2, M3)
71	10728343	LIMIT SWITCH (M1)
71	10728344	LIMIT SWITCH (M4, M5)
NS	0259G00163	HARNESS-COMPRESSOR (M1)
NS	0259G00164	HARNESS-COMPRESSOR (M2)
NS	0259G00165	HARNESS-COMPRESSOR (M3)
NS	0259G00166	HARNESS-COMPRESSOR (M4, M5)
NS	0259G00161	HARNESS-GAS CONTROL (M1, M2)
NS	0259G00162	HARNESS-GAS CONTROL (M3, M4, M5)

Expanded Model Nomenclature

M1 - APG1624060M41AA
M2 - APG1630080M41AA
M3 - APG1636080M41AA
M4 - APG1642100M41AA
M5 - APG1648100M41AA