



# APG15M

## PACKAGED GAS/ELECTRIC

### UP TO 15 SEER / 80% AFUE

### 2 TO 5 TONS

**COOLING CAPACITY: 23,200 – 56,500 BTU/H**  
**HEATING CAPACITY: 69,000 – 138,000 BTU/H**



#### Standard Features

- Heavy-duty Million-Air® stainless-steel heat exchanger
- High-efficiency compressor with factory-installed sound blanket
- EEM (energy-efficient) blower motor
- Fully charged R-410A system
- Copper tube / aluminum fin coils
- Redundant two-stage gas valve; natural gas with easy conversion to propane
- Power-assisted combustion
- Direct-spark ignition system, including a microprocessor-based control for the entire ignition sequence
- All blower operation and all safety circuits complete with self-diagnostics
- Loss-of-charge protection and high-pressure switch
- California Low NOx approved

#### Cabinet Features

- Fully insulated heavy-gauge, zinc-coated steel cabinet with UV-resistant powder-paint finish
- Compressor grommets for vibration isolation
- All models fit in a standard-size pick-up truck
- One roof curb fits all units
- Convenient access panels
- Bottom 2" high base rails for easier handling



**MILLION-AIR**  
STAINLESS-STEEL  
HEAT EXCHANGER

#### Contents

Nomenclature .....	2
Product Specifications .....	3
Expanded Cooling Data .....	6
Airflow Data .....	22
Dimensions .....	25
Wiring Diagrams .....	26
Accessories .....	28



\* Complete warranty details available from your local dealer or at [www.amana-hac.com](http://www.amana-hac.com). To receive the Lifetime Compressor Limited Warranty and Lifetime Heat Exchanger Limited Warranty (in each case, good for as long as you own your home) plus the 10-Year Parts Limited Warranty, online registration must be completed within 60 days of installation. Online registration is not required in California or Québec.

# NOMENCLATURE

	A	P	G	13	36	045	4	1	
	1	2	3	4,5	6,7	8,9,10	11	12	
<b>Brand</b>	A Amana® Brand							<b>Electrical</b>	
								1	208-230/1/60
								3	208-230/3/60
<b>Product Category</b>	P Packaged Unit							<b>Refrigerant</b>	
								2	R-22
								4	R-410A
<b>Unit Type</b>	G Gas/Electric								
<b>Efficiency</b>	13 13 SEER					45 46 MBTU/h			
	15 15 SEER					70 69 MBTU/h			
						90 92 MBTU/h			
<b>Nominal Capacity</b>	24 2 Tons 42 3½ Tons					115 115 MBTU/h			
	30 2½ tons 48 4 Tons					140 138 MBTU/h			
	36 3 Tons 60 5 Tons								



# SPECIFICATIONS

	APG15 2407041A*	APG15 2407041B*	APG15 2407041C*	APG15 3009041A*	APG15 3009041B*	APG15 3009041C*
<b>COOLING CAPACITY (BTU/H)</b>						
Total	23,200	23,200	23,200	29,000	29,000	29,000
Sensible	18,500	18,500	18,500	22,500	22,500	22,500
SEER / EER	14.5 / 12.0	15 / 12.0	15 / 12.0	14.2 / 12.0	14.5 / 12.0	14.5 / 12.0
Decibels	76	76	76	76	76	76
AHRI #s	4385101	5360620	5677913	4385092	5360605	5677914
<b>HEATING CAPACITY (BTU/H)</b>						
High-Fire Input / Output	69,000 / 55,000	69,000 / 55,000	69,000 / 55,000	92,000 / 72, 900	92,000 / 72, 900	92,000 / 72, 900
Low-Fire Input / Output	51,500 / 40,500	51,500 / 40,500	51,500 / 40,500	69,000 / 55,000	69,000 / 55,000	69,000 / 55,000
AFUE	80	80	80	80	80	80
Temperature Rise Range	35 - 65	35 - 65	35 - 65	35-65	35-65	35-65
No. of Burners	3	3	3	4	4	4
Orifice Size (Gas / LP)	43 / 55	43 / 55	43 / 55	43 / 55	43 / 55	43 / 55
<b>EVAPORATOR MOTOR</b>						
Type	EEM	EEM	EEM	EEM	EEM	EEM
Wheel (DxW)	10" x 8"	10" x 8"	10" x 8"	10" x 9"	10" x 9"	10" x 9"
Indoor Nominal CFM	845	845	845	1,050	1,050	1,050
Motor Speed Tap (Cooling)	T4	T4	T4	T3, T4	T3, T4	T3, T4
RPM / Amps (Cooling)	724 / 1.21	724 / 1.21	724 / 1.21	960 / 3.06	960 / 3.06	960 / 3.06
Horsepower / RPM	½ / 1,050	½ / 1,050	½ / 1,050	½ / 1,050	½ / 1,050	½ / 1,050
<b>EVAPORATOR COIL</b>						
Face Area (ft <sup>2</sup> )	4.33	4.33	4.33	4.33	4.33	4.33
Rows Deep / Fin per Inch	2 / 14	3 / 14	3 / 14	3 / 14	3 / 14	3 / 14
Expansion Device	TXV	0.057	0.057	0.065	0.062	0.062
Filter Size (ft <sup>2</sup> )	2.7	2.7	2.7	4.2	4.2	4.2
All-Aluminum Coil	---	X	X	---	X	X
Drain Size (NPT)	¾"	¾"	¾"	¾"	¾"	¾"
Refrigerant Charge -- R-410A (oz.)	81	77	77	102	73	73
<b>CONDENSER FAN / COIL</b>						
Horsepower - RPM	1/6 - 850	1/6 - 850	1/6 - 850	¼ / 830	¼ / 830	¼ / 830
Fan Diameter / # of Fan Blades	22" / 3	22" / 3	22" / 3	22" / 3	22" / 3	22" / 3
Outdoor Nominal CFM	2,400	2,400	2,400	2,700	2,700	2,700
Face Area (ft <sup>2</sup> )	12.3	8.8	8.8	12.3	8.8	8.8
Row Deep / Fins per Inch	1 / 22	2 / 27	2 / 27	2 / 16	2 / 27	2 / 27
<b>COMPRESSOR</b>						
Quantity / Type / Stage	1 / Scroll / Single	1 / Scroll / Single	1 / Scroll / Single	1 / Scroll / Single	1 / Scroll / Single	1 / Scroll / Single
Compressor RLA / LRA	13.5 / 58.3	13.5 / 58.3	13.5 / 58.3	14.1 / 73	14.1 / 73	14.1 / 73
<b>ELECTRICAL DATA</b>						
Voltage/ Phase/ Frequency	208-230/ 1/ 60	208-230/ 1/ 60	208-230/ 1/ 60	208-230/1/60	208-230/1/60	208-230/1/60
Indoor Blower FLA	4.1	4.1	4.1	1.85	1.85	1.85
Outdoor Fan FLA / LRA	1.1 / 1.7	1.1 / 1.7	1.1 / 1.7	1.5 / 3	1.5 / 3	1.5 / 3
Total Unit Amps	9.0	9.0	9.0	17.5	17.5	17.5
Min. Circuit Ampacity	22.1	22.1	22.1	21	21	21
Max. Overcurrent Protection	30	30	30	35	35	35
Entrance Size Power Supply	1½"	1½"	1½"	1½"	1½"	1½"
Entrance Size Control Voltage	¾"	¾"	¾"	¾"	¾"	¾"
<b>OPERATING / SHIP WEIGHTS (LBS)</b>	417 / 439	422 / 445	422 / 445	453 / 475	424 / 448	424 / 448

Note: 4- & 5-ton units have two-stage cooling; all other sizes have single-stage cooling.

**SPECIFICATIONS (CONT.)**

	APG15 3709041A*	APG15 3709041B*	APG15 3709041C*	APG15 4211541A*	APG15 4211541B*	APG15 4211541C*
<b>COOLING CAPACITY (BTU/H)</b>						
Total	35,000	35,000	35,000	40,000	40,000	40,000
Sensible	26,300	26,300	26,300	30,300	30,300	30,300
SEER / EER	14.5 / 11.5	14.5 / 11.5	14.5 / 11.5	14.5 / 12	15 / 12	15 / 12
Decibels	76	76	76	78	78	78
AHRI #s	4385103	5360606	5677915	4385104	5360621	5677916
<b>HEATING CAPACITY (BTU/H)</b>						
High-Fire Input / Output	92,000 / 72,900	92,000 / 72,900	92,000 / 72,900	115,000 / 91,200	115,000 / 91,200	115,000 / 91,200
Low-Fire Input / Output	69,000 / 55,000	69,000 / 55,000	69,000 / 55,000	86,000 / 69,000	86,000 / 69,000	86,000 / 69,000
AFUE	80	80	80	80	80	80
Temperature Rise Range	45 - 75	45 - 75	45 - 75	45-75	45-75	45-75
No. of Burners	4	4	4	5	5	5
Orifice Size (Gas / LP)	43 / 55	43 / 55	43 / 55	43 / 55	43 / 55	43 / 55
<b>EVAPORATOR MOTOR</b>						
Type	EEM	EEM	EEM	EEM	EEM	EEM
Wheel (DxW)	10" x 9"	10" x 9"	10" x 9"	11 x 10	11 x 10	11 x 10
Indoor Nominal CFM	1,100	1,100	1,100	1,250	1,250	1,250
Motor Speed Tap (Cooling)	T3, T4	T3, T4	T3, T4	T3, T4	T3, T4	T3, T4
RPM / Amps (Cooling)	960 / 3.06	960 / 3.06	960 / 3.06	890 / 3.8	890 / 3.8	890 / 3.8
Horsepower / RPM	½ / 1,050	½ / 1,050	½ / 1,050	¾ / 1,050	¾ / 1,050	¾ / 1,050
<b>EVAPORATOR COIL</b>						
Face Area (ft <sup>2</sup> )	4.33	4.33	4.33	5.67	5.67	5.67
Rows Deep / Fin per Inch	4 / 14	4 / 14	4 / 14	4 / 14	4 / 14	4 / 14
Expansion Device	TXV	0.070	0.070	0.072	0.072	0.072
Filter Size (ft <sup>2</sup> )	4.2	4.2	4.2	5.1	5.1	5.1
All-Aluminum Coil	---	X	X	---	X	X
Drain Size (NPT)	¾"	¾"	¾"	¾"	¾"	¾"
Refrigerant Charge -- R-410A (oz.)	112	84	84	162	102	102
<b>CONDENSER FAN / COIL</b>						
Horsepower - RPM	¼ / 830	¼ / 830	¼ / 830	¼ - 1,075	¼ - 1,075	¼ - 1,075
Fan Diameter / # of Fan Blades	22" / 3	22" / 3	22" / 3	22" / 3	22" / 3	22" / 3
Outdoor Nominal CFM	2,700	2,700	2,700	3,500	3,500	3,500
Face Area (ft <sup>2</sup> )	12.3	11.13	11.13	15.3	11.32	11.32
Row Deep / Fins per Inch	2 / 16	2 / 27	2 / 27	2 / 16	2 / 27	2 / 27
<b>COMPRESSOR</b>						
Quantity / Type / Stage	1 / Scroll / Single	1 / Scroll / Single	1 / Scroll / Single	1 / Scroll / Single	1 / Scroll / Single	1 / Scroll / Single
Compressor RLA / LRA	16.7 / 79	16.7 / 79	16.7 / 79	17.9 / 112	17.9 / 112	17.9 / 112
<b>ELECTRICAL DATA</b>						
Voltage/ Phase/ Frequency	208-230/1/60	208-230/1/60	208-230/1/60	208-230/1/60	208-230/1/60	208-230/1/60
Indoor Blower FLA	1.85	1.85	1.85	2.87	2.87	2.87
Outdoor Fan FLA / LRA	1.5 / 3	1.5 / 3	1.5 / 3	1.4 / 2.9	1.4 / 2.9	1.4 / 2.9
Total Unit Amps	21.6	21.6	21.6	23.7	23.7	23.7
Min. Circuit Ampacity	24.2	24.2	24.2	26.6	26.6	26.6
Max. Overcurrent Protection	40	40	40	40	40	40
Entrance Size Power Supply	1½"	1½"	1½"	1½"	1½"	1½"
Entrance Size Control Voltage	¾"	¾"	¾"	¾"	¾"	¾"
<b>OPERATING / SHIP WEIGHTS (LBS)</b>						
	458 / 480	491 / 514	491 / 514	538 / 560	492 / 517	492 / 517

Note: 4- & 5-ton units have two-stage cooling; all other sizes have single-stage cooling.

# SPECIFICATIONS (CONT.)

	APG15 4911541A*	APG15 4911541B*	APG15 4911541C*	APG15 6014041A*	APG15 6014041B*	APG15 6014041C*
<b>COOLING CAPACITY (BTU/H)</b>						
Total	47,000	47,000	47,000	56,500	57,500	57,500
Sensible	34,000	34,000	34,000	44,000	44,000	44,000
SEER / EER	15 / 11.5	14.5 / 11.5	14.5 / 11.5	14 / 10.1	14.2 / 10.1	14.2 / 10.1
Decibels	78	78	78	78	78	78
AHRI #s	4385106	5360686	5677917	4385107	5360687	5677918
<b>HEATING CAPACITY (BTU/H)</b>						
High-Fire Input / Output	115,000 / 91,200	115,000 / 91,200	115,000 / 91,200	138,000 / 110,200	138,000 / 110,200	138,000 / 110,200
Low-Fire Input / Output	86,000 / 69,000	86,000 / 69,000	86,000 / 69,000	103,000 / 83,000	103,000 / 83,000	103,000 / 83,000
AFUE	80	80	80	80	80	80
Temperature Rise Range	45-75	45-75	45-75	45-75	45-75	45-75
No. of Burners	5	5	5	6	6	6
Orifice Size (Gas / LP)	43 / 55	43 / 55	43 / 55	43 / 55	43 / 55	43 / 55
<b>EVAPORATOR MOTOR</b>						
Type	EEM	EEM	EEM	EEM	EEM	EEM
Wheel (DxW)	11" x 10"	11" x 10"	11" x 10"	11" x 10"	11" x 10"	11" x 10"
Indoor Nominal CFM	1,350	1,350	1,350	1,810	1,810	1,810
Motor Speed Tap (Cooling)	T3, T4	T3, T4	T3, T4	T3,T4	T3,T4	T3,T4
RPM / Amps (Cooling)	890 / 3.8	890 / 3.8	890 / 3.8	778 / 1.98 1,030 / 5.7	778 / 1.98 1,030 / 5.7	778 / 1.98 1,030 / 5.7
Horsepower / RPM	¾ / 1,050	¾ / 1,050	¾ / 1,050	1 / 1,050	1 / 1,050	1 / 1,050
<b>EVAPORATOR COIL</b>						
Face Area (ft <sup>2</sup> )	5.67	5.67	5.67	5.67	5.67	5.67
Rows Deep / Fin per Inch	4 / 14	4 / 14	4 / 14	4 / 14	4 / 14	4 / 14
Expansion Device	TXV	0.076	0.076	TXV	TXV	TXV
Filter Size (ft <sup>2</sup> )	5.1	5.1	5.1	6.3	6.3	6.3
All-Aluminum Coil	---	X	X	---	X	X
Drain Size (NPT)	¾"	¾"	¾"	¾"	¾"	¾"
Refrigerant Charge -- R-410A (oz.)	167	103	103	177	100	100
<b>CONDENSER FAN / COIL</b>						
Horsepower - RPM	½ - 1,075	½ - 1,075	½ - 1,075	½ - 1,075	½ - 1,075	½ - 1,075
Fan Diameter / # of Fan Blades	22" / 3	22" / 3	22" / 3	22" / 3	22" / 3	22" / 3
Outdoor Nominal CFM	3,500	3,500	3,500	3,500	3,500	3,500
Face Area (ft <sup>2</sup> )	15.3	11.32	11.32	15.3	11.32	11.32
Row Deep / Fins per Inch	2 / 16	2 / 27	2 / 27	2 / 16	2 / 27	2 / 27
<b>COMPRESSOR</b>						
Quantity / Type / Stage	1 / Scroll / Two	1 / Scroll / Single	1 / Scroll / Single	1 / Scroll / Two	1 / Scroll / Two	1 / Scroll / Two
Compressor RLA / LRA	21.2 / 96	19.9/109	19.9/109	25.8 / 118	27.1 / 152.9	27.1 / 152.9
<b>ELECTRICAL DATA</b>						
Voltage/ Phase/ Frequency	208-230/1/60	208-230/1/60	208-230/1/60	208-230/1/60	208-230/1/60	208-230/1/60
Indoor Blower FLA	2.87	2.87	2.87	7.6	7.6	7.6
Outdoor Fan FLA / LRA	1.4 / 2.9	1.4 / 2.9	1.4 / 2.9	1.4 / 5.2	1.4 / 5.2	1.4 / 5.2
Total Unit Amps	27.0	25.7	25.7	34.8	40	40
Min. Circuit Ampacity	30.8	29.1	29.1	42.1	42.2	42.2
Max. Overcurrent Protection	50	45	45	60	60	60
Entrance Size Power Supply	1½"	1½"	1½"	1½"	1½"	1½"
Entrance Size Control Voltage	¾"	¾"	¾"	¾"	¾"	¾"
<b>OPERATING / SHIP WEIGHTS (LBS)</b>	538 / 560	494 / 519	494 / 519	543 / 565	496 / 523	496 / 523

Note: 4- & 5-ton units have two-stage cooling; all other sizes have single-stage cooling.

# EXPANDED COOLING DATA — APG1524\*\*\*41\*\*

IDB	AIRFLOW	OUTDOOR AMBIENT TEMPERATURE																													
		65°F					75°F					85°F					95°F					105°F					115°F				
		59	63	67	71	59	63	67	71	59	63	67	71	59	63	67	71	59	63	67	71	59	63	67	71	59	63	67	71		
70	951	MBh	22.7	23.6	25.8	-	22.2	23.0	25.2	-	21.7	22.5	24.6	-	21.1	21.9	24.0	-	20.1	20.8	22.8	-	18.6	19.3	21.1	-					
	S/T	0.78	0.65	0.45	-	0.81	0.68	0.47	-	0.83	0.70	0.48	-	0.86	0.72	0.50	-	0.89	0.74	0.52	-	0.90	0.75	0.52	-						
	ΔT	17	15	11	-	17	15	11	-	17	15	11	-	18	15	12	-	17	15	11	-	16	14	11	-						
	kW	1.51	1.54	1.59	-	1.62	1.66	1.71	-	1.72	1.76	1.82	-	1.82	1.86	1.92	-	1.89	1.93	2.00	-	1.96	2.00	2.07	-						
	Amps	7.0	7.1	7.4	-	7.5	7.7	7.9	-	8.0	8.2	8.4	-	8.5	8.7	8.9	-	9.0	9.2	9.4	-	9.4	9.6	9.9	-						
	Hi PR	227	244	257	-	254	274	289	-	289	311	328	-	329	354	374	-	370	399	421	-	409	440	465	-						
	Lo PR	109	116	127	-	115	123	134	-	120	128	139	-	126	134	146	-	132	140	153	-	137	145	159	-						
	MBh	22.1	22.9	25.1	-	21.6	22.3	24.5	-	21.0	21.8	23.9	-	20.5	21.3	23.3	-	19.5	20.2	22.2	-	18.1	18.7	20.5	-						
	S/T	0.75	0.62	0.43	-	0.77	0.65	0.45	-	0.79	0.66	0.46	-	0.82	0.68	0.47	-	0.85	0.71	0.49	-	0.86	0.72	0.50	-						
	ΔT	18	16	12	-	18	16	12	-	18	16	12	-	18	16	12	-	18	16	12	-	17	15	11	-						
	kW	1.49	1.53	1.57	-	1.61	1.64	1.70	-	1.71	1.75	1.80	-	1.80	1.84	1.90	-	1.88	1.92	1.98	-	1.94	1.99	2.05	-						
	Amps	7.0	7.1	7.3	-	7.4	7.6	7.8	-	8.0	8.1	8.4	-	8.4	8.6	8.9	-	8.9	9.1	9.3	-	9.4	9.6	9.8	-						
Hi PR	224	241	255	-	252	271	286	-	286	308	325	-	326	351	370	-	367	395	417	-	405	436	460	-							
Lo PR	108	115	126	-	114	122	133	-	119	126	138	-	125	133	145	-	131	139	152	-	135	144	157	-							
MBh	20.4	21.1	23.1	-	19.9	20.6	22.6	-	19.4	20.1	22.1	-	19.0	19.6	21.5	-	18.0	18.7	20.4	-	16.7	17.3	18.9	-							
S/T	0.72	0.60	0.42	-	0.75	0.62	0.43	-	0.77	0.64	0.44	-	0.79	0.66	0.46	-	0.82	0.69	0.47	-	0.83	0.69	0.48	-							
ΔT	18	16	12	-	18	16	12	-	18	16	12	-	18	16	12	-	18	16	12	-	17	15	11	-							
kW	1.46	1.49	1.54	-	1.57	1.60	1.66	-	1.67	1.70	1.76	-	1.76	1.79	1.85	-	1.83	1.87	1.93	-	1.89	1.94	2.00	-							
Amps	6.8	7.0	7.1	-	7.3	7.4	7.6	-	7.8	8.0	8.2	-	8.2	8.4	8.6	-	8.7	8.9	9.1	-	9.1	9.3	9.6	-							
Hi PR	218	234	247	-	244	263	277	-	278	299	315	-	316	340	359	-	356	383	404	-	393	423	447	-							
Lo PR	105	112	122	-	111	118	129	-	115	123	134	-	121	129	140	-	127	135	147	-	131	139	152	-							
75	951	MBh	23.1	23.8	25.8	27.7	22.6	23.3	25.2	27.0	22.0	22.7	24.6	26.4	21.5	22.1	24.0	25.7	20.4	21.0	22.8	24.4	18.9	19.5	21.1	22.6					
	S/T	0.89	0.80	0.60	0.39	0.92	0.83	0.62	0.40	0.95	0.85	0.64	0.41	0.98	0.87	0.66	0.43	1.00	0.91	0.69	0.44	1.00	0.91	0.69	0.45						
	ΔT	20	18	15	10	20	19	15	10	20	19	15	11	20	19	15	11	20	19	15	10	18	17	14	10						
	kW	1.52	1.55	1.60	1.65	1.64	1.67	1.72	1.78	1.74	1.78	1.84	1.90	1.83	1.87	1.93	2.00	1.91	1.95	2.02	2.08	1.98	2.02	2.09	2.16						
	Amps	7.1	7.2	7.4	7.6	7.6	7.7	7.9	8.2	8.1	8.3	8.5	8.8	8.6	8.7	9.0	9.3	9.0	9.2	9.5	9.8	9.5	9.7	10.0	10.3						
	Hi PR	229	246	260	271	257	276	292	304	292	314	332	346	333	358	378	394	374	403	425	443	413	445	470	490						
	Lo PR	110	117	128	136	117	124	135	144	121	129	141	150	127	135	148	157	133	142	155	165	138	147	160	171						
	MBh	22.4	23.1	25.0	26.8	21.9	22.6	24.4	26.2	21.4	22.0	23.9	25.6	20.9	21.5	23.3	25.0	19.8	20.4	22.1	23.7	18.4	18.9	20.5	22.0						
	S/T	0.85	0.76	0.57	0.37	0.88	0.79	0.60	0.38	0.90	0.81	0.61	0.39	0.93	0.83	0.63	0.41	0.97	0.86	0.65	0.42	0.98	0.87	0.66	0.42						
	ΔT	21	19	16	11	21	19	16	11	21	19	16	11	21	19	16	11	21	19	16	11	19	18	15	10						
	kW	1.51	1.54	1.59	1.64	1.62	1.66	1.71	1.77	1.72	1.76	1.82	1.88	1.82	1.86	1.92	1.98	1.89	1.93	2.00	2.07	1.96	2.00	2.07	2.14						
	Amps	7.0	7.2	7.4	7.6	7.5	7.7	7.9	8.1	8.0	8.2	8.4	8.7	8.5	8.7	8.9	9.2	9.0	9.2	9.4	9.7	9.4	9.6	9.9	10.2						
Hi PR	227	244	257	269	254	274	289	301	289	311	329	343	329	354	374	390	370	399	421	439	409	441	465	485							
Lo PR	109	116	127	135	115	123	134	143	120	128	139	148	126	134	146	156	132	140	153	163	137	145	159	169							
MBh	20.7	21.3	23.1	24.8	20.2	20.8	22.6	24.2	19.8	20.3	22.0	23.6	19.3	19.8	21.5	23.1	18.3	18.9	20.4	21.9	17.0	17.5	18.9	20.3							
S/T	0.82	0.73	0.55	0.36	0.85	0.76	0.57	0.37	0.87	0.78	0.59	0.38	0.90	0.80	0.61	0.39	0.93	0.83	0.63	0.41	0.94	0.84	0.64	0.41							
ΔT	21	19	16	11	21	20	16	11	21	20	16	11	22	20	16	11	21	20	16	11	20	18	15	10							
kW	1.47	1.50	1.55	1.60	1.58	1.62	1.67	1.72	1.68	1.72	1.77	1.83	1.77	1.81	1.87	1.93	1.84	1.89	1.95	2.01	1.91	1.95	2.02	2.09							
Amps	6.9	7.0	7.2	7.4	7.3	7.5	7.7	7.9	7.9	8.0	8.2	8.5	8.3	8.5	8.7	9.0	8.8	8.9	9.2	9.5	9.2	9.4	9.7	10.0							
Hi PR	220	237	250	260	247	265	280	292	280	302	319	332	319	344	363	379	359	387	408	426	397	427	451	471							
Lo PR	106	113	123	131	112	119	130	138	116	124	135	144	122	130	142	151	128	136	149	158	132	141	154	164							

IDB: Entering Indoor Dry Bulb Temperature  
High and low pressures are measured at the liquid and suction service valves.  
Shaded area reflects ACCA (TVA) conditions  
kW = Total system power  
Amps = outdoor unit amps (comp.+fan)













## EXPANDED COOLING DATA — APG154211541

IDB	AIRFLOW	65°F						75°F						85°F						95°F						105°F						115°F					
		OUTDOOR AMBIENT TEMPERATURE												ENTERING INDOOR WET BULB TEMPERATURE																							
		59	63	67	71	59	63	67	71	59	63	67	71	59	63	67	71	59	63	67	71	59	63	67	71	59	63	67	71	59	63	67	71				
70	1350	MIBh	39.7	41.1	45.1	-	38.8	40.2	44.0	-	37.8	39.2	43.0	-	36.9	38.3	41.9	-	35.1	36.4	39.8	-	35.1	36.4	39.8	-	32.5	33.7	36.9	-							
		S/T	0.75	0.62	0.43	-	0.77	0.65	0.45	-	0.79	0.66	0.46	-	0.82	0.68	0.47	-	0.85	0.71	0.49	-	0.85	0.71	0.49	-	0.86	0.71	0.50	-							
		ΔT	20	17	13	-	20	18	13	-	20	18	13	-	21	18	14	-	20	18	13	-	20	18	13	-	19	16	12	-							
	1200	kW	2.58	2.63	2.71	-	2.77	2.83	2.92	-	2.94	3.01	3.10	-	3.09	3.16	3.26	-	3.22	3.29	3.40	-	3.22	3.29	3.40	-	3.33	3.41	3.52	-							
		Amps	11.3	11.6	11.9	-	12.1	12.4	12.8	-	13.1	13.4	13.8	-	13.9	14.2	14.6	-	14.7	15.0	15.5	-	14.7	15.0	15.5	-	15.5	15.8	16.3	-							
		Hi PR	226	243	257	-	253	273	288	-	288	310	327	-	328	353	373	-	369	397	420	-	369	397	420	-	408	439	464	-							
	1050	MIBh	38.5	39.9	43.8	-	37.6	39.0	42.7	-	36.7	38.1	41.7	-	35.8	37.1	40.7	-	34.1	35.3	38.7	-	34.1	35.3	38.7	-	31.5	32.7	35.8	-							
		S/T	0.71	0.59	0.41	-	0.74	0.62	0.43	-	0.76	0.63	0.44	-	0.78	0.65	0.45	-	0.81	0.68	0.47	-	0.81	0.68	0.47	-	0.82	0.68	0.47	-							
		ΔT	21	18	14	-	21	18	14	-	21	18	14	-	21	19	14	-	21	18	14	-	21	18	14	-	20	17	13	-							
	1050	kW	2.56	2.61	2.69	-	2.75	2.81	2.90	-	2.92	2.98	3.08	-	3.07	3.14	3.24	-	3.20	3.27	3.37	-	3.20	3.27	3.37	-	3.31	3.38	3.49	-							
		Amps	11.2	11.5	11.8	-	12.0	12.3	12.7	-	13.0	13.3	13.7	-	13.8	14.1	14.5	-	14.6	14.9	15.4	-	14.6	14.9	15.4	-	15.4	15.7	16.2	-							
		Hi PR	224	241	254	-	251	270	285	-	285	307	324	-	325	350	369	-	366	393	415	-	366	393	415	-	404	435	459	-							
1050	MIBh	35.6	36.9	40.4	-	34.7	36.0	39.4	-	33.9	35.1	38.5	-	33.1	34.3	37.6	-	31.4	32.6	35.7	-	31.4	32.6	35.7	-	29.1	30.2	33.1	-								
	S/T	0.69	0.57	0.40	-	0.71	0.59	0.41	-	0.73	0.61	0.42	-	0.75	0.63	0.44	-	0.78	0.65	0.45	-	0.78	0.65	0.45	-	0.79	0.66	0.46	-								
	ΔT	21	18	14	-	22	19	14	-	22	19	14	-	22	19	14	-	21	19	14	-	21	19	14	-	20	17	13	-								
1350	kW	2.60	2.65	2.73	2.82	2.79	2.85	2.94	3.04	2.97	3.03	3.13	3.23	3.12	3.19	3.29	3.40	3.25	3.32	3.43	3.54	3.25	3.32	3.43	3.54	3.36	3.44	3.55	3.67								
	Amps	11.4	11.7	12.0	12.4	12.2	12.5	12.9	13.3	13.2	13.5	13.9	14.4	14.0	14.3	14.8	15.3	14.8	15.2	15.6	16.2	14.8	15.2	15.6	16.2	15.6	16.0	16.5	17.1								
	Hi PR	228	245	259	270	256	275	291	303	291	313	331	345	332	357	377	393	373	401	424	442	373	401	424	442	412	443	468	488								
75	MIBh	39.2	40.3	43.7	46.9	38.3	39.4	42.7	45.8	37.4	38.5	41.6	44.7	36.5	37.5	40.6	43.6	34.6	35.7	38.6	41.4	32.1	33.0	35.7	38.2	29.6	30.5	33.0	35.4								
	S/T	0.81	0.72	0.55	0.35	0.84	0.75	0.57	0.36	0.86	0.77	0.58	0.37	0.89	0.79	0.60	0.39	0.92	0.82	0.62	0.40	0.93	0.83	0.63	0.40	0.93	0.80	0.61	0.39								
	ΔT	24	22	18	13	25	23	19	13	25	23	19	13	25	23	19	13	24	22	18	13	23	21	17	12	23	21	17	12								
1200	kW	2.58	2.63	2.71	2.80	2.77	2.83	2.92	3.01	2.94	3.01	3.10	3.20	3.09	3.16	3.26	3.37	3.22	3.29	3.40	3.51	3.33	3.41	3.52	3.64	3.33	3.41	3.52	3.64								
	Amps	11.3	11.6	11.9	12.3	12.1	12.4	12.8	13.2	13.1	13.4	13.8	14.2	13.9	14.2	14.6	15.1	14.7	15.0	15.5	16.0	15.5	15.9	16.3	16.9	15.5	15.9	16.3	16.9								
	Hi PR	226	243	257	268	253	273	288	300	288	310	327	342	328	353	373	389	369	397	420	438	408	439	464	484	408	439	464	484								
1050	MIBh	36.2	37.2	40.3	43.3	35.3	36.4	39.4	42.3	34.5	35.5	38.4	41.2	33.6	34.6	37.5	40.2	32.0	32.9	35.6	38.2	29.6	30.5	33.0	35.4	29.6	30.5	33.0	35.4								
	S/T	0.78	0.70	0.53	0.34	0.81	0.72	0.55	0.35	0.83	0.74	0.56	0.36	0.85	0.76	0.58	0.37	0.89	0.79	0.60	0.39	0.89	0.80	0.61	0.39	0.89	0.80	0.61	0.39								
	ΔT	25	23	19	13	25	23	19	13	25	23	19	13	25	23	19	13	25	23	19	13	25	23	19	13	25	23	19	13								
1050	kW	2.52	2.57	2.65	2.73	2.71	2.76	2.85	2.94	2.87	2.93	3.03	3.12	3.02	3.08	3.18	3.29	3.14	3.21	3.32	3.43	3.25	3.32	3.43	3.55	3.25	3.32	3.43	3.55								
	Amps	11.1	11.3	11.6	12.0	11.8	12.1	12.5	12.9	12.8	13.0	13.4	13.9	13.5	13.8	14.3	14.8	14.3	14.6	15.1	15.6	15.1	15.4	15.9	16.5	15.1	15.4	15.9	16.5								
	Hi PR	219	236	249	260	246	265	279	291	280	301	318	331	318	343	362	377	358	385	407	425	396	426	450	469	396	426	450	469								
1050	MIBh	108	115	126	134	115	122	133	142	119	127	138	147	125	133	145	155	131	140	152	162	136	144	158	168	136	144	158	168								
	S/T																																				
	ΔT																																				

Shaded area reflects ACCA (TVA) conditions  
kW = Total system power  
Amps = outdoor unit amps (comp.+fan)

IDB: Entering Indoor Dry Bulb Temperature  
High and low pressures are measured at the liquid and suction service valves.











# EXPANDED COOLING DATA — APG154911541 — Two STAGE (CONT.)

IDB	AIRFLOW	OUTDOOR AMBIENT TEMPERATURE												ENTERING INDOOR WET BULB TEMPERATURE													
		65°F				75°F				85°F				95°F				105°F				115°F					
		59	63	67	71	59	63	67	71	59	63	67	71	59	63	67	71	59	63	67	71	59	63	67	71		
<b>80</b>	1475	MBh	47.7	48.7	52.0	55.6	46.6	47.6	50.8	54.3	45.5	46.4	49.6	53.0	44.3	45.3	48.4	51.8	42.1	43.0	46.0	49.2	39.0	39.9	42.6	45.5	
		S/T	0.90	0.85	0.69	0.52	0.94	0.88	0.71	0.53	0.96	0.90	0.73	0.55	1.00	0.93	0.76	0.57	1.00	0.96	0.78	0.59	1.00	1.00	0.79	0.59	
		ΔT	27	26	22	18	27	26	23	18	27	26	23	18	26	26	22	18	26	26	22	18	24	25	21	17	
	1300	kW	3.16	3.23	3.33	3.44	3.41	3.48	3.59	3.71	3.62	3.70	3.82	3.95	3.81	3.90	4.02	4.16	3.97	4.06	4.20	4.34	4.11	4.21	4.35	4.49	
		Amps	13.1	13.3	13.7	14.2	14.0	14.3	14.7	15.2	15.1	15.4	15.9	16.4	16.0	16.4	16.9	17.5	17.0	17.4	17.9	18.5	17.9	18.3	18.9	19.5	
		Hi PR	234	252	266	278	263	283	299	312	299	322	340	354	341	366	387	404	383	412	435	454	423	456	481	502	
	1125	Lo PR	110	117	128	136	116	124	135	144	121	129	140	150	127	135	148	157	133	142	155	165	138	146	160	170	
		MBh	46.3	47.3	50.5	54.0	45.2	46.2	49.4	52.8	44.1	45.1	48.2	51.5	43.1	44.0	47.0	50.2	40.9	41.8	44.7	47.7	37.9	38.7	41.4	44.2	
		S/T	0.86	0.81	0.66	0.49	0.89	0.84	0.68	0.51	0.92	0.86	0.70	0.52	0.94	0.89	0.72	0.54	0.98	0.92	0.75	0.56	0.99	0.93	0.75	0.56	
	<b>85</b>	1475	ΔT	28	27	23	19	29	27	24	19	29	27	24	19	29	27	24	19	28	27	24	19	26	25	22	18
			kW	3.19	3.25	3.36	3.47	3.43	3.51	3.62	3.74	3.65	3.73	3.85	3.98	3.84	3.93	4.06	4.20	4.01	4.10	4.23	4.38	4.15	4.24	4.38	4.53
			Amps	13.2	13.4	13.8	14.3	14.1	14.4	14.9	15.4	15.2	15.6	16.0	16.6	16.2	16.5	17.0	17.6	17.1	17.5	18.0	18.7	18.0	18.5	19.0	19.7
1300		Hi PR	237	255	269	280	266	286	302	315	302	325	343	358	344	370	391	408	387	416	440	459	428	460	486	507	
		Lo PR	111	118	129	138	118	125	136	145	122	130	142	151	128	136	149	159	134	143	156	166	139	148	162	172	
		MBh	47.1	48.0	50.3	53.6	46.0	46.9	49.1	52.4	44.9	45.8	47.9	51.1	43.8	44.7	46.8	49.9	41.6	42.4	44.4	47.4	38.5	39.3	41.2	43.9	
1125		S/T	0.90	0.87	0.79	0.64	0.94	0.90	0.81	0.66	0.96	0.93	0.84	0.68	0.99	0.96	0.86	0.70	1.00	0.99	0.90	0.73	1.00	1.00	0.90	0.73	
		ΔT	30	30	28	24	30	30	28	24	30	30	28	25	31	30	29	25	29	30	28	24	27	28	26	23	
		kW	3.16	3.23	3.33	3.44	3.41	3.48	3.59	3.71	3.62	3.70	3.82	3.95	3.81	3.90	4.02	4.16	3.97	4.06	4.20	4.34	4.11	4.21	4.35	4.49	
1125		Amps	13.1	13.3	13.7	14.2	14.0	14.3	14.7	15.2	15.1	15.4	15.9	16.4	16.0	16.4	16.9	17.5	17.0	17.4	17.9	18.5	17.9	18.3	18.9	19.5	
		Hi PR	234	252	266	278	263	283	299	312	299	322	340	354	341	366	387	404	383	412	435	454	423	456	481	502	
		Lo PR	110	117	128	136	116	124	135	144	121	129	140	150	127	135	148	157	133	142	155	165	138	146	160	170	
1125	MBh	43.5	44.3	46.4	49.5	42.5	43.3	45.3	48.4	41.4	42.2	44.2	47.2	40.4	41.2	43.2	46.0	38.4	39.2	41.0	43.7	35.6	36.3	38.0	40.5		
	S/T	0.87	0.84	0.76	0.61	0.90	0.87	0.79	0.64	0.93	0.89	0.81	0.65	0.95	0.92	0.83	0.67	0.99	0.96	0.86	0.70	1.00	0.96	0.87	0.71		
	ΔT	31	30	29	25	31	31	29	25	31	31	29	25	32	31	29	25	31	31	29	25	29	29	27	23		
1125	kW	3.09	3.15	3.25	3.35	3.32	3.39	3.50	3.62	3.53	3.61	3.73	3.85	3.72	3.80	3.92	4.05	3.87	3.96	4.09	4.23	4.01	4.10	4.23	4.38		
	Amps	12.7	13.0	13.4	13.8	13.7	14.0	14.4	14.8	14.7	15.0	15.5	16.0	15.6	16.0	16.5	17.0	16.5	16.9	17.4	18.0	17.4	17.8	18.4	19.0		
	Hi PR	227	245	258	269	255	274	290	302	290	312	330	344	330	355	375	392	372	400	422	440	411	442	467	487		
1125	Lo PR	107	114	124	132	113	120	131	140	117	125	136	145	123	131	143	152	129	137	150	160	134	142	155	165		

IDB: Entering Indoor Dry Bulb Temperature  
 High and low pressures are measured at the liquid and suction service valves.  
 Shaded area reflects AHRI (TWA) conditions  
 kW = Total system power  
 Amps = outdoor unit amps (comp.+fan)



# EXPANDED COOLING DATA — APG1560\*\*\*41\*\* — SINGLE STAGE (CONT.)

IDB	AIRFLOW	OUTDOOR AMBIENT TEMPERATURE																																												
		65°F						75°F						85°F						95°F						105°F						115°F														
		59	63	67	71	75	79	59	63	67	71	75	79	59	63	67	71	75	79	59	63	67	71	75	79	59	63	67	71	75	79	59	63	67	71	75	79									
MBh	S/T	ΔT	ENTERING INDOOR WET BULB TEMPERATURE																																											
1463	kW	Amps	Hi PR	Lo PR	SHADY AREA REFLECTS AHRI (TWA) CONDITIONS																																									
	80	MBh	S/T	ΔT	SHADY AREA REFLECTS AHRI (TWA) CONDITIONS																																									
		1300	kW	Amps	Hi PR	Lo PR	SHADY AREA REFLECTS AHRI (TWA) CONDITIONS																																							
			1138	MBh	S/T	ΔT	SHADY AREA REFLECTS AHRI (TWA) CONDITIONS																																							
				1463	kW	Amps	Hi PR	Lo PR	SHADY AREA REFLECTS AHRI (TWA) CONDITIONS																																					
					1300	MBh	S/T	ΔT	SHADY AREA REFLECTS AHRI (TWA) CONDITIONS																																					
						1138	kW	Amps	Hi PR	Lo PR	SHADY AREA REFLECTS AHRI (TWA) CONDITIONS																																			

IDB: Entering Indoor Dry Bulb Temperature  
 High and low pressures are measured at the liquid and suction service valves.

Shaded area reflects AHRI (TWA) conditions

kw = Total system power  
 Amps = outdoor unit amps (comp.+fan)





# AIRFLOW DATA

APG152407041A/B\* - RISE RANGE: 35° - 65°

UNIT STATIC	T1 - 1ST STAGE HEATING			T2 - 2ND STAGE HEATING			T3 - COOLING SPEED		T4 - COOLING SPEED		T5 - COOLING SPEED	
	CFM	WATTS	RISE	CFM	WATTS	RISE	CFM	WATTS	CFM	WATTS	CFM	WATTS
0.1	742	84	52	907	134	57	857	116	907	134	1,040	185
0.2	677	89	57	857	140	61	816	126	857	140	988	198
0.3	631	97	62	814	149	64	760	131	814	149	949	208
0.4	575	101	X	761	154	X	721	140	761	154	903	213
0.5	526	111	X	727	165	X	670	145	727	165	871	222
0.6	---	---	---	678	169	X	629	155	678	169	824	228
0.7	---	---	---	---	---	---	---	---	---	---	---	---
0.8	---	---	---	---	---	---	---	---	---	---	---	---

APG152407041C\* - RISE RANGE: 35° - 65°

UNIT STATIC	T1 - 1ST STAGE HEATING			T2 - 2ND STAGE HEATING			T3 - COOLING SPEED		T4 - COOLING SPEED		T5 - COOLING SPEED	
	CFM	WATTS	RISE	CFM	WATTS	RISE	CFM	WATTS	CFM	WATTS	CFM	WATTS
0.1	729	55	52	913	103	57	897	99	897	99	1047	139
0.2	680	63	57	864	111	61	848	107	848	107	998	146
0.3	631	71	62	815	119	64	799	115	799	115	948	154
0.4	582	79	X	766	127	X	750	123	750	123	899	162
0.5	532	87	X	717	135	X	701	131	701	131	850	170
0.6	---	---	---	667	143	X	652	139	652	139	801	178
0.7	---	---	---	---	---	---	---	---	---	---	---	---
0.8	---	---	---	---	---	---	---	---	---	---	---	---

APG153009041A/B\* - RISE RANGE: 45° -75°

UNIT STATIC	T1 - 1ST STAGE HEATING			T2 - 2ND STAGE HEATING			T3 - COOLING SPEED		T4 - COOLING SPEED		T5 - COOLING SPEED	
	CFM	WATTS	RISE	CFM	WATTS	RISE	CFM	WATTS	CFM	WATTS	CFM	WATTS
0.1	1065	168	49	1255	257	55	1,148	170	1,148	170	1,333	304
0.2	1003	174	52	1217	269	57	1,092	176	1,092	176	1,293	314
0.3	961	185	54	1165	274	59	1,044	184	1,044	184	1,237	321
0.4	913	195	57	1113	285	62	994	194	994	194	1,193	333
0.5	855	202	60	1073	296	64	929	210	929	210	1,158	341
0.6	814	212	63	1018	302	68	811	222	811	222	1,101	345
0.7	749	218	69	991	313	70	763	224.00	763	224.00	---	---
0.8	713	227	72	---	---	---	715	236.00	715	236.00	---	---

APG153009041C\* - RISE RANGE: 45° -75°

UNIT STATIC	T1 - 1ST STAGE HEATING			T2 - 2ND STAGE HEATING			T3 - COOLING SPEED		T4 - COOLING SPEED		T5 - COOLING SPEED	
	CFM	WATTS	RISE	CFM	WATTS	RISE	CFM	WATTS	CFM	WATTS	CFM	WATTS
0.1	1050	139	49	1256	220	55	1123	168	1123	168	1326	248
0.2	1006	147	52	1211	228	57	1079	176	1079	176	1282	256
0.3	961	154	54	1167	236	59	1034	183	1034	183	1237	263
0.4	916	162	57	1122	243	62	989	191	989	191	1192	271
0.5	872	170	60	1077	251	64	945	199	945	199	1148	279
0.6	827	178	63	1033	259	68	900	206	900	206	1103	287
0.7	782	185	69	988	267	70	855	214	855	214	---	---
0.8	738	193	72	---	---	---	811	222	811	222	---	---

## AIRFLOW DATA (CONT.)

APG153709041A/B\* - RISE RANGE: 45° -75°

UNIT STATIC	T1 - 1ST STAGE HEATING			T2 - 2ND STAGE HEATING			T3 - COOLING SPEED		T4 - COOLING SPEED		T5 - COOLING SPEED	
	CFM	WATTS	RISE	CFM	WATTS	RISE	CFM	WATTS	CFM	WATTS	CFM	WATTS
0.1	1065	168	49	1255	257	55	1,148	170	1,148	170	1,418	360
0.2	1003	174	52	1217	269	57	1,092	176	1,092	176	1,375	371
0.3	961	185	54	1165	274	59	1,044	184	1,044	184	1,316	376
0.4	913	195	57	1113	285	62	994	194	994	194	1,279	387
0.5	855	202	60	1073	296	64	929	210	929	210	1,245	392
0.6	814	212	63	1018	302	68	811	222	811	222	1,193	400
0.7	749	218	69	991	313	70	763	224.00	763	224.00	---	---
0.8	713	227	72	---	---	---	715	236.00	715	236.00	---	---

APG153709041C\* - RISE RANGE: 45° -75°

UNIT STATIC	T1 - 1ST STAGE HEATING			T2 - 2ND STAGE HEATING			T3 - COOLING SPEED		T4 - COOLING SPEED		T5 - COOLING SPEED	
	CFM	WATTS	RISE	CFM	WATTS	RISE	CFM	WATTS	CFM	WATTS	CFM	WATTS
0.1	1053	143	49	1257	236	55	1184	203	1184	203	1408	304
0.2	1007	151	52	1211	243	57	1138	210	1138	210	1362	311
0.3	961	158	54	1165	250	59	1092	217	1092	217	1315	319
0.4	915	165	57	1119	258	62	1046	225	1046	225	1269	326
0.5	869	173	60	1073	265	64	1000	232	1000	232	1223	334
0.6	823	180	63	1027	273	68	954	240	954	240	1177	341
0.7	777	188	69	980	280	70	908	247	908	247	---	---
0.8	731	195	72	---	---	---	862	255	862	255	---	---

APG154211541A/B\* - RISE RANGE: 45° -75°

UNIT STATIC	T1 - 1ST STAGE HEATING			T2 - 2ND STAGE HEATING			T3 - COOLING SPEED		T4 - COOLING SPEED		T5 - COOLING SPEED	
	CFM	WATTS	RISE	CFM	WATTS	RISE	CFM	WATTS	CFM	WATTS	CFM	WATTS
0.1	1065	168	49	1255	257	55	1,335	260	1,468	337	1,619	431
0.2	1003	174	52	1217	269	57	1,274	268	1,412	349	1,560	445
0.3	961	185	54	1165	274	59	1,204	281	1,346	359	1,504	456
0.4	913	195	57	1113	285	62	1,136	287	1,275	363	1,441	463
0.5	855	202	60	1073	296	64	1,069	300	1,221	370	1,380	475
0.6	814	212	63	1018	302	68	1,009	312	1,170	386	1,325	489
0.7	749	218	69	991	313	70	946	319.00	1,105	397.00	1,268	495.00
0.8	713	227	72	---	---	---	886	331.00	1,042	406.00	1,198	502.00

APG154211541C\* - RISE RANGE: 45° -75°

UNIT STATIC	T1 - 1ST STAGE HEATING			T2 - 2ND STAGE HEATING			T3 - COOLING SPEED		T4 - COOLING SPEED		T5 - COOLING SPEED	
	CFM	WATTS	RISE	CFM	WATTS	RISE	CFM	WATTS	CFM	WATTS	CFM	WATTS
0.1	1090	150	52	1286	231	57	1354	260	1354	260	1609	365
0.2	1025	158	57	1225	239	61	1296	267	1296	267	1556	373
0.3	960	166	62	1165	247	64	1237	275	1237	275	1504	381
0.4	895	174	X	1105	255	X	1178	283	1178	283	1451	388
0.5	830	181	X	1045	262	X	1120	291	1120	291	1399	396
0.6	765	189	---	984	270	X	1061	299	1061	299	1347	404
0.7	699	197	---	924	278	---	1002	306	1002	306	1294	412
0.8	634	205	---	---	---	---	944	314	944	314	1242	420

## AIRFLOW DATA (CONT.)

APG154911541A/B\* - RISE RANGE: 45° - 75°

UNIT STATIC	T1 - 1ST STAGE HEATING			T2 - 2ND STAGE HEATING			T3 - COOLING SPEED		T4 - COOLING SPEED		T5 - COOLING SPEED	
	CFM	WATTS	RISE	CFM	WATTS	RISE	CFM	WATTS	CFM	WATTS	CFM	WATTS
0.1	1140	178	56	1417	305	61	1,468	337	1,468	337	1,696	503
0.2	1090	188	59	1374	318	63	1,412	349	1,412	349	1,650	517
0.3	1038	199	62	1322	327	65	1,346	359	1,346	359	1,608	530
0.4	980	212	65	1273	338	68	1,275	363	1,275	363	1,566	543
0.5	914	220	70	1224	352	70	1,221	370	1,221	370	1,523	556
0.6	852	231	75	1176	365	73	1,170	386	1,170	386	1,480	569
0.7	806	242	X	1,121	379	X	1,105	397.00	1,105	397.00	1,441	580.00
0.8	741	248	X	1,068	391	X	1,042	406.00	1,042	406.00	---	---

APG154911541C\* - RISE RANGE: 45° - 75°

UNIT STATIC	T1 - 1ST STAGE HEATING			T2 - 2ND STAGE HEATING			T3 - COOLING SPEED		T4 - COOLING SPEED		T5 - COOLING SPEED	
	CFM	WATTS	RISE	CFM	WATTS	RISE	CFM	WATTS	CFM	WATTS	CFM	WATTS
0.1	1164	180	56	1435	293	61	1477	310	1477	310	1709	407
0.2	1100	188	59	1378	301	63	1421	318	1421	318	1659	414
0.3	1037	196	62	1322	309	65	1365	326	1365	326	1609	422
0.4	974	204	65	1265	316	68	1310	334	1310	334	1559	430
0.5	910	212	70	1208	324	70	1254	342	1254	342	1509	438
0.6	847	220	75	1152	332	73	1198	349	1198	349	1459	446
0.7	784	227	X	1095	340	X	1143	357	1143	357	1409	453
0.8	720	235	X	1038	348	X	1087	365	1087	365	---	---

APG156014041A/B\* - RISE RANGE: 45° - 75°

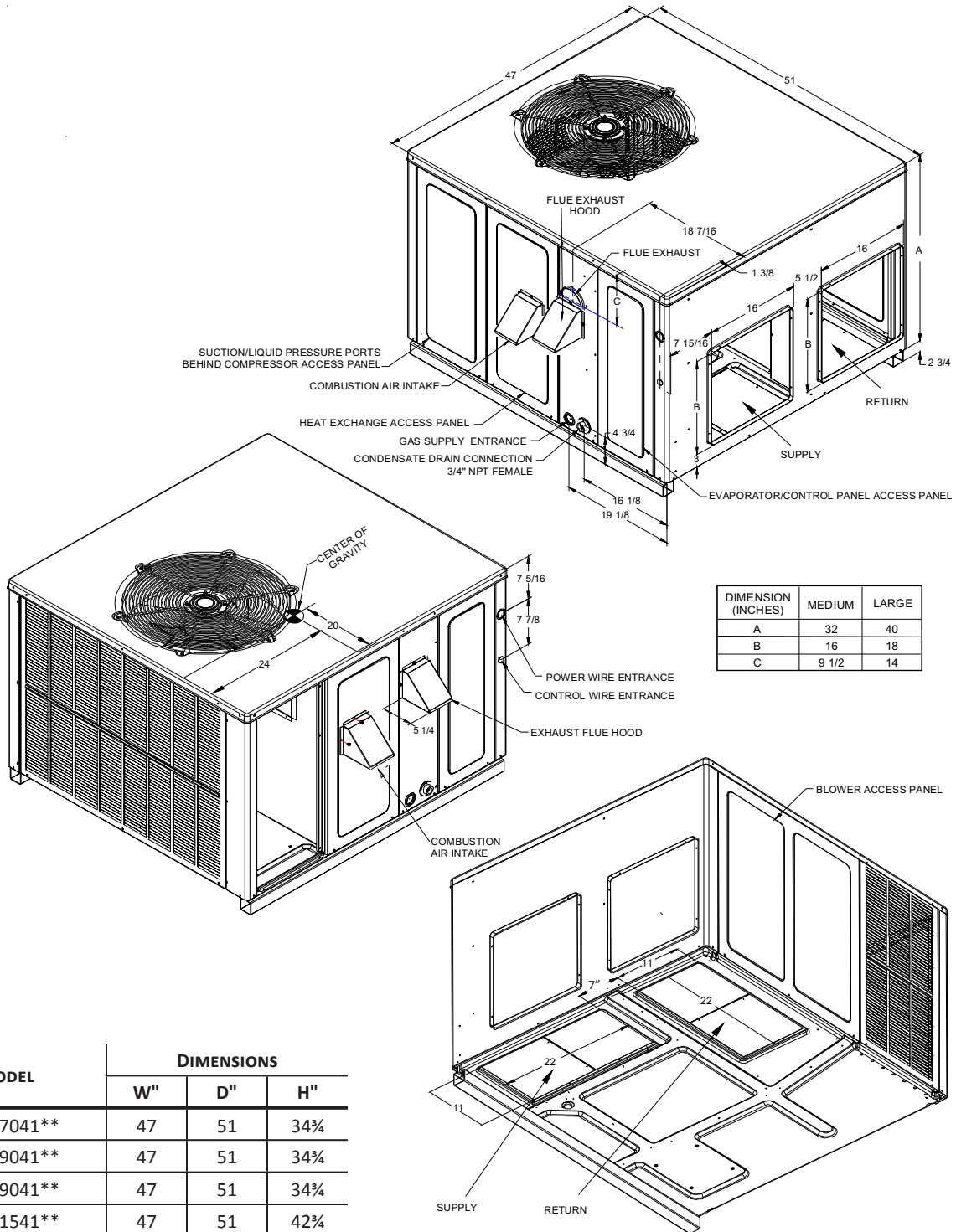
UNIT STATIC	T1 - 1ST STAGE HEATING			T2 - 2ND STAGE HEATING			T3 - COOLING SPEED		T4 - COOLING SPEED		T5 - COOLING SPEED	
	CFM	WATTS	RISE	CFM	WATTS	RISE	CFM	WATTS	CFM	WATTS	CFM	WATTS
0.1	1773	488	X	1773	488	58	1,379	246	1,919	700	2,115	783
0.2	1713	501	45	1713	501	61	1,322	258	1,862	714	2,078	787
0.3	1693	509	45	1693	509	61	1,268	266	1,810	720	2,009	802
0.4	1653	518	46	1653	518	63	1,187	280	1,755	734	1,953	813
0.5	1597	529	48	1597	529	65	1,133	287	1,705	743	1,933	805
0.6	1534	541	50	1534	541	68	1,068	294	1,647	748	---	---
0.7	1485	552	52	1,485	552	70	1,026	307.00	---	---	---	---
0.8	---	---	---	---	---	---	---	---	---	---	---	---

APG156014041C\* - RISE RANGE: 45° - 75°

UNIT STATIC	T1 - 1ST STAGE HEATING			T2 - 2ND STAGE HEATING			T3 - COOLING SPEED		T4 - COOLING SPEED		T5 - COOLING SPEED	
	CFM	WATTS	RISE	CFM	WATTS	RISE	CFM	WATTS	CFM	WATTS	CFM	WATTS
0.1	1792	514	X	1792	514	58	1366	257	1939	603	2108	704
0.2	1743	522	45	1743	522	61	1317	265	1889	611	2058	713
0.3	1693	530	45	1693	530	61	1267	273	1840	619	2009	721
0.4	1644	538	46	1644	538	63	1218	281	1791	627	1960	729
0.5	1595	546	48	1595	546	65	1169	290	1742	635	1911	737
0.6	1546	554	50	1546	554	68	1120	298	1693	643	---	---
0.7	1496	563	52	1496	563	70	1071	306	1643	651	---	---
0.8	---	---	---	---	---	---	---	---	---	---	---	---



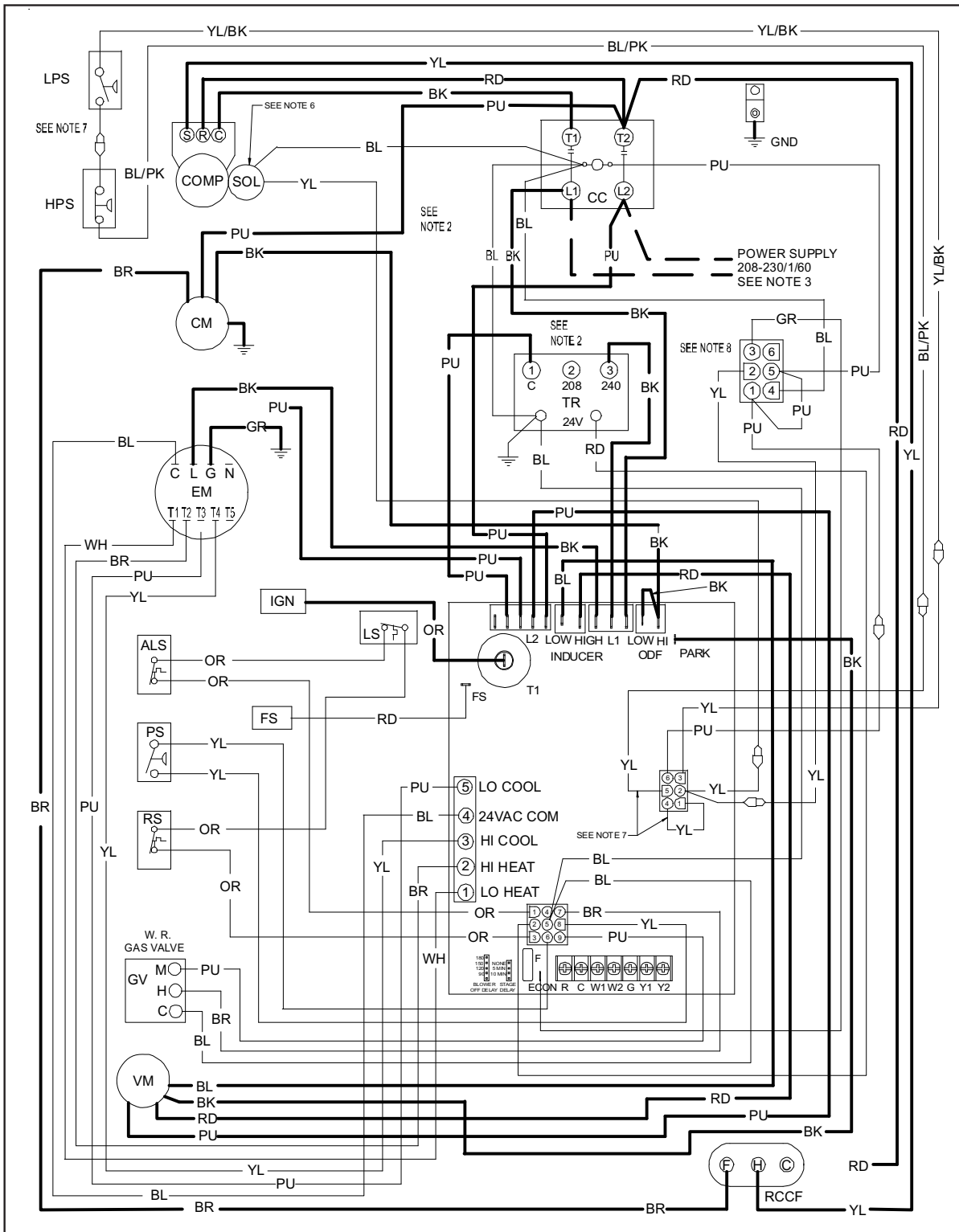
# DIMENSIONS





DIMENSION (INCHES)	MEDIUM	LARGE
A	32	40
B	16	18
C	9 1/2	14

MODEL	DIMENSIONS		
	W"	D"	H"
APG152407041**	47	51	34 3/4
APG153009041**	47	51	34 3/4
APG153709041**	47	51	34 3/4
APG154211541**	47	51	42 3/4
APG154911541**	47	51	42 3/4
APG156014041**	47	51	42 3/4

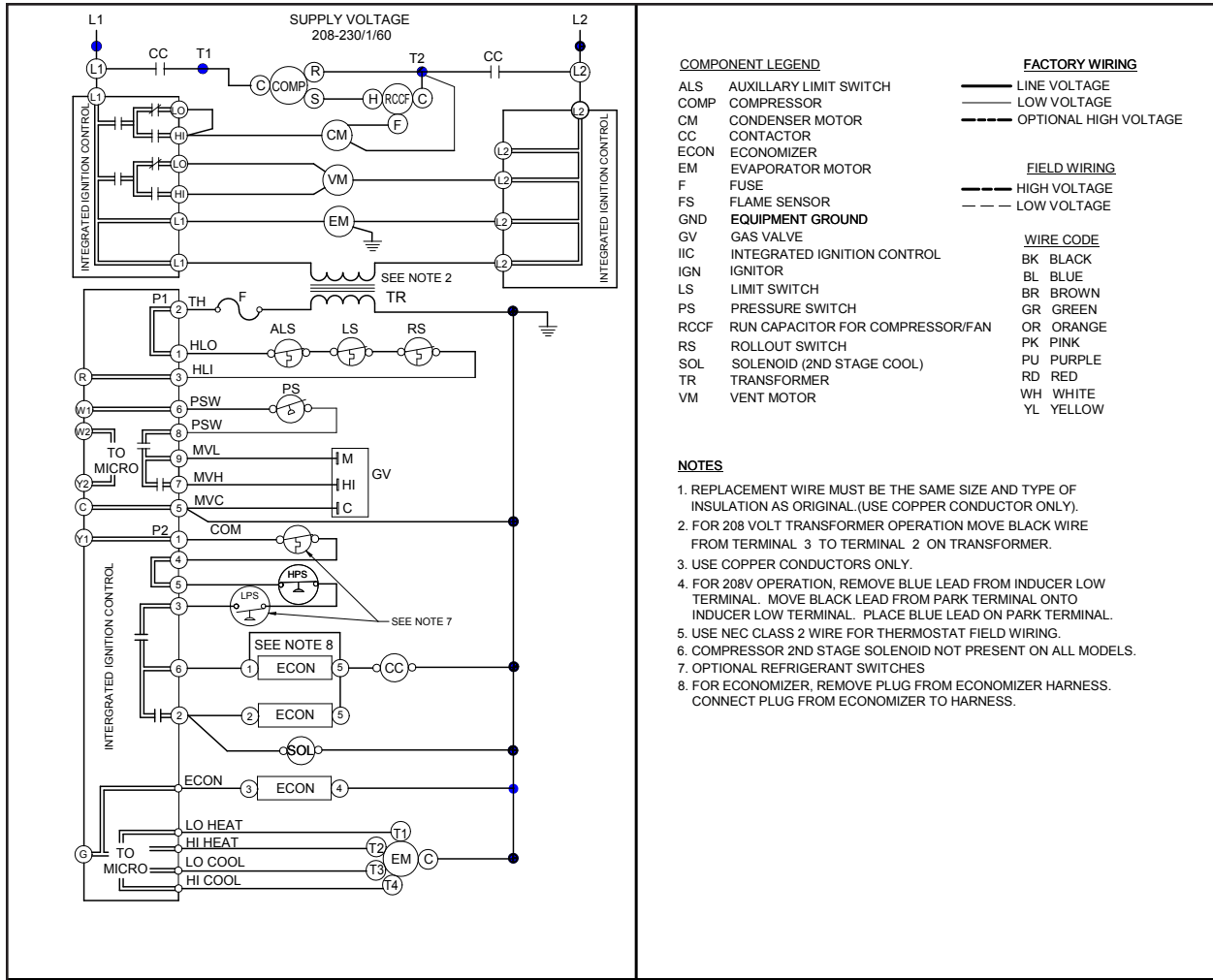
# WIRING DIAGRAM



Wiring is subject to change. Always refer to the wiring diagram or the unit for the most up-to-date wiring.

 <b>WARNING</b>	<p><b>High Voltage:</b> Disconnect all power before servicing or installing this unit. Multiple power sources may be present. Failure to do so may cause property damage, personal injury, or death.</p>	
--	--	---

# WIRING DIAGRAM (CONT.)



DIAGNOSTIC LED - RED	STATUS	CHECK
ON	NORMAL OPERATION	-
OFF	NO POWER OR INTERNAL CONTROL FAULT	CHECK INPUT POWER CHECK FUSE(S) REPLACE CONTROL
1 FLASH	IGNITION FAILURE	GAS FLOW GAS PRESSURE GAS VALVE FLAME SENSOR
2 FLASHES	PRESSURE SWITCH OPEN	CHECK PRESSURE SWITCH CHECK TUBING CHECK VENT MOTOR
3 FLASHES	PRESSURE SWITCH CLOSED WITHOUT INDUCER ON	CHECK PRESSURE SWITCH CHECK WIRING FOR SHORTS
4 FLASHES	OPEN LIMIT SWITCH	CHECK MAIN LIMIT SWITCH CHECK AUXILIARY LIMIT SW. CHECK ROLLOUT LIMIT SW.
5 FLASHES	FALSE FLAME DETECTED	CHECK GAS VALVE CHECK FOR SHORTS IN FLAME SENSOR WIRING
6 FLASHES	COMPR. SHORT CYCLE DELAY	3 MIN COMP. SHORT CYCLE DELAY

DIAGNOSTIC LED - RED	STATUS	CHECK
7 FLASHES	LIMIT OPEN 5 TIMES IN SAME CALL FOR HEAT	CHECK MAIN LIMIT SWITCH CHECK AUXILIARY LIMIT SW.
8 FLASHES	IDT/ODT OPEN	CHECK JUMPER BETWEEN 1 AND 4 ON 6-CIRCUIT CONNECTOR CHECK OPTIONAL REFRIGERANT SWITCHES
9 FLASHES	PSW/LOC OPEN	CHECK REFRIGERANT SWITCHES FOR LOSS OF CHARGE OR HIGH HEAD PRESSURE

DIAGNOSTIC LED - AMBER	STATUS	CHECK
OFF	NO FLAME PRESENT	-
ON	NORMAL FLAME PRESENT	-
1 FLASH	LOW FLAME SIGNAL	GAS FLOW GAS PRESSURE GAS VALVE FLAME SENSOR
2 FLASHES	FALSE FLAME DETECTED	CHECK GAS VALVE CHECK FOR SHORTS IN FLAME SENSOR WIRING

0140G00533 REV A

Wiring is subject to change. Always refer to the wiring diagram or the unit for the most up-to-date wiring.



**High Voltage:** Disconnect all power before servicing or installing this unit. Multiple power sources may be present. Failure to do so may cause property damage, personal injury, or death.



## ACCESSORIES

ACCESSORY DESCRIPTION	ITEM NUMBER	
	MEDIUM CHASSIS	LARGE CHASSIS
Concentric Kit	CDK36	CDK4872
Downflow Economizer	PGED101/102	PGED103
Downflow Internal Filter Rack	PGFR101/102/103	PGFR101/102/103
Downflow Manual Damper	PGMDD102	PGMDD103
Downflow Motorized Damper	PGMDMD102	PGMDMD103
Downflow Square to Round	SQRPG101/102	SQRPG103
Horizontal Duct Cover	20464501PDGK	20464502PDGK
Horizontal Economizer	PGEH102	PGEH103
Horizontal Manual Damper	PGMDH102	PGMDH103
Horizontal Motorized Damper	PGMDMH102	PGMDMH103
Horizontal Square to Round	SQRPGH102	SQRPGH103
LP Conversion Kit	LPM-06	LPM-06
Roof Curb	PGC101/102/103	PGC101/102/103