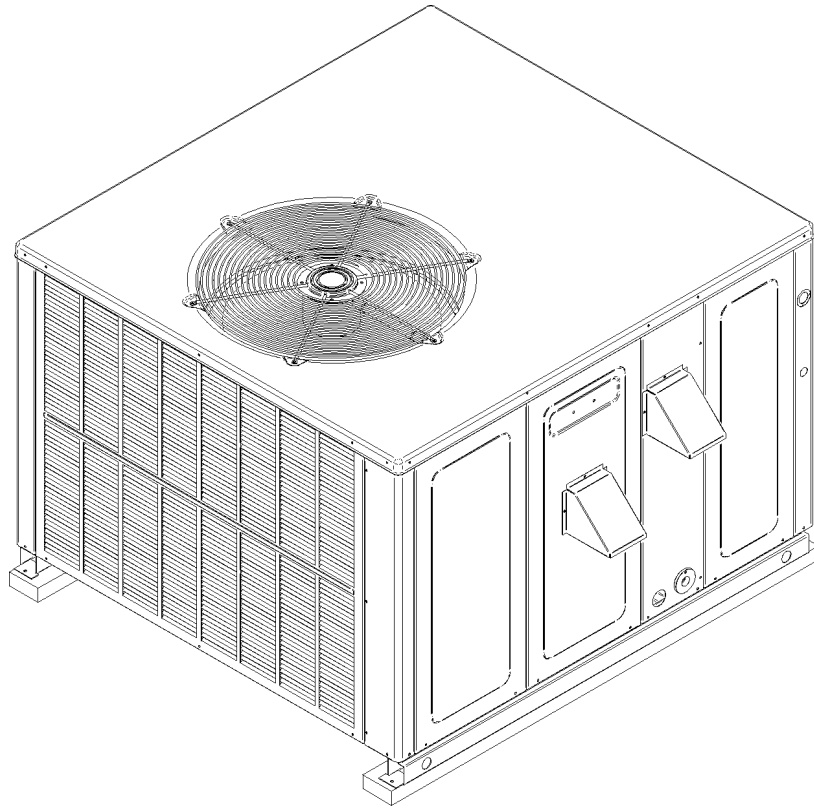


REPAIR PARTS

[A/G]PG15 Package Gas Unit

APG152407041AB
APG152407041AC
APG153009041AB
APG153009041AC
APG153609041AC
APG153709041AB
APG153709041AC
APG154211541AB
APG154211541AC
APG154811541AC
APG154911541AB
APG154911541AC
APG156014041AC
APG156014041AD
GPG152407041AB
GPG152407041AC
GPG153009041AB
GPG153009041AC
GPG153609041AC
GPG153709041AB
GPG153709041AC
GPG154211541AB
GPG154211541AC
GPG154811541AC
GPG154911541AB
GPG154911541AC
GPG156014041AC
GPG156014041AD



This manual is to be used by qualified technicians only.

© 2011 Goodman Manufacturing Company, L.P. ♦ 5151 San Felipe, Suite 500 ♦ Houston, TX 77056

Important Information

Index

Functional Parts List	3
Illustration and Parts	4 - 15

Views shown are for parts illustrations only, not servicing procedures.

Updated 1-23-13 : Added missing models ID Blower Motor.

Text Codes:

AR - As Required

NA - Not Available

NS - Not Shown

00000000 - See Note

QTY - Quantity Example (QTY 3) (If Quantity not shown, Quantity = 1)

M - Model Example (M1) (If M Code not shown, then part is used on all Models)

Expanded Model Nomenclature:

Example M1 - Model#1 M2 - Model#2 M3 - Model#3

Goodman Manufacturing Company, L.P. is not responsible for personal injury or property damage resulting from improper service. Review all service information before beginning repairs.

Warranty service must be performed by an authorized technician, using authorized factory parts. If service is required after the warranty expires, Goodman Manufacturing Company, L.P. also recommends contacting an authorized technician and using authorized factory parts.

Goodman Manufacturing Company, L.P. reserves the right to discontinue, or change at any time, specifications or designs without notice or without incurring obligations.

For assistance within the U.S.A. contact:
Consumer Affairs Department
Goodman Manufacturing Company, L.P.
7401 Security Way
Houston, Texas 77040
877-254-4729-Telephone
713-863-2382-Facsimile

For assistance outside the U.S.A. contact:
International Division
Goodman Manufacturing Company, L.P.
7401 Security Way
Houston, Texas 77040
713-861-2500-Telephone
713-863-2382-Facsimile

Functional Parts

Part

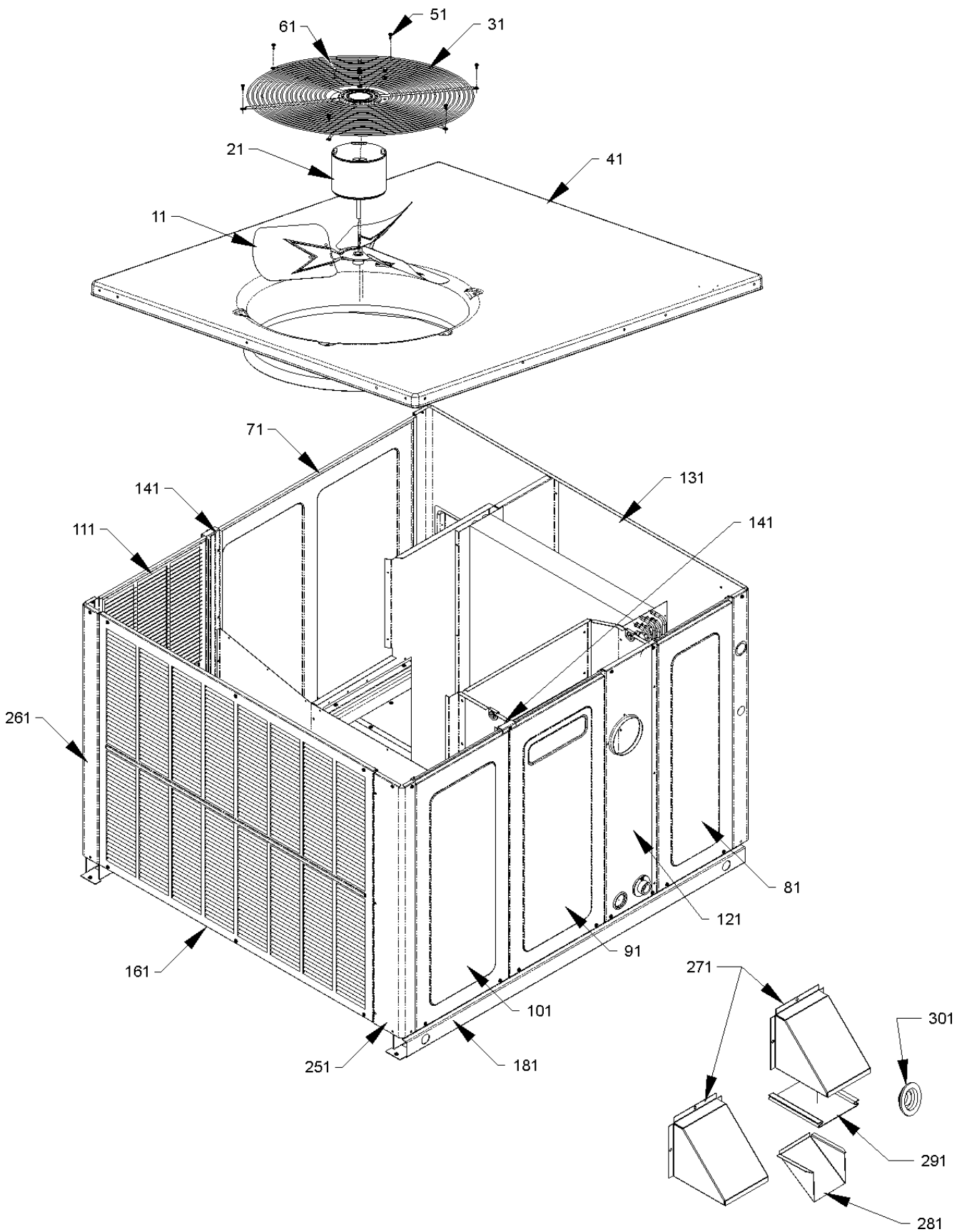
No: Description:

20269903	AUXILIARY LIMIT, AUTO RESET	0131M00219	Motor - 3/4 HP PROGRAMMED (M11, M12, M25, M26)
0150G00003	BLADE, FAN 26 SWEEP WING (M8, M9, M10, M11, M12, M13, M14, M22, M23, M24, M25, M26, M27, M28)	0131M00198	Motor - 3/4 HP PROGRAMMED (M10, M24)
D6723303	BLOWER WHEEL (M3, M4, M5, M6, M7, M17, M18, M19, M20, M21)	0131M00214	Motor - 3/4 HP PROGRAMMED (M8, M9, M22, M23)
B1368058	BLOWER WHEEL 10 X 8 (M1, M2, M15, M16)	0131M00061	MOTOR, 1/4HP, 1SP, 8PL (M3, M4, M5, M6, M7, M17, M18, M19, M20, M21)
B1368000	BLOWER WHEEL 11 X 10 (M8, M9, M10, M11, M12, M13, M14, M22, M23, M24, M25, M26, M27, M28)	0131G00009	MOTOR, ID BLOWER (M2, M4, M7, M9, M12, M14, M16, M18, M21, M23, M26, M28)
CAP050350440RS	CAPACITOR 5/35/440V (M1, M2, M15, M16)	0131G00001	MOTOR, ID BLOWER (M1, M3, M5, M6, M8, M10, M11, M13, M15, M17, M19, M20, M22, M24, M25, M27)
CAP050400440RT	CAPACITOR 5/40/440V (M3, M4, M5, M17, M18, M19)	PCBAG127	PCB, IGNITION, DSI, 2 STG (QTY -1)
CAP050450440RT	CAPACITOR 5/45/440V (M6, M7, M8, M9, M10, M11, M12, M20, M21, M22, M23, M24, M25, M26)	11112501	PRESSURE SWITCH
CAP050800440RT	CAPACITOR 5/80/440V (M13, M14, M27, M28)	B1141643	TRANSFORMER 208/230, 24V
ZP20K5EPFV130	COMPRESSOR 20000, 208/230/60/1 (M1, M2, M15, M16)	0151G00001	VALVE, TXV (M1, M2, M15, M16)
ZP25K5EPFV130	COMPRESSOR 25200, 208/230/60/1 (M3, M4, M17, M18)	0151M00016	VALVE-TXV (M10, M11, M12, M13, M14, M24, M25, M26, M27, M28)
ZPS30K4EPFV230	COMPRESSOR 30000, 208/230/60/1/2STG (M5, M19)	0151M00017	VALVE-TXV (M5, M6, M7, M19, M20, M21)
ZP31K5EPFV130	COMPRESSOR 31100, 208/230/60/1 (M6, M7, M20, M21)		
ZP34K5EPFV130	COMPRESSOR 34500, 208/230/60/1 (M8, M9, M22, M23)		
ZPS40K4EPFV230	COMPRESSOR 40000, 208/230/60/1/2STG (M10, M11, M12, M24, M25, M26)		
ZPS51K4EPFV230	COMPRESSOR 52000, 208/230/60/1/2STG (M13, M14, M27, M28)		
0131M00007P	COND MOTOR 1/4 HP, 1 SP, 6 PL (M8, M9, M10, M11, M12, M13, M14, M22, M23, M24, M25, M26, M27, M28)		
0131M00009P	COND MOTOR 1/6 HP, 1 SP, 8 PL (M1, M2, M15, M16)		
CONT2P025024V	CONTACTOR 25 AMP, 2P, 24V (M1, M2, M3, M4, M5, M6, M7, M15, M16, M17, M18, M19, M20, M21)		
CONT2P030024V	CONTACTOR 30 AMP, 2P, 24V (M8, M9, M10, M11, M12, M22, M23, M24, M25, M26)		
CONT2P040024V	CONTACTOR 40 AMP, 2P, 24V (M13, M14, M27, M28)		
0130M00018	CUT-OUT SWITCH, HIGH PRESSURE		
0130M00019	CUT-OUT SWITCH, LOW PRESSURE		
0150G00002	FAN BLADE SWEEP-WING (M3, M4, M5, M6, M7, M17, M18, M19, M20, M21)		
B1086773	FAN BLADE, 22" DIA. (M1, M2, M15, M16)		
0130F00010	FLAME SENSOR		
0151F00000P	GAS VALVE		
0130F00014	IGNITOR		
10728343	LIMIT SWITCH (M3, M4, M5, M6, M7, M13, M14, M17, M18, M19, M20, M21, M27, M28)		
10728344	LIMIT SWITCH (M8, M9, M10, M11, M12, M22, M23, M24, M25, M26)		
10123529	MANUAL RESET LIMIT		
0131M00196	Motor - 1 HP PROGRAMMED (M13, M14, M27, M28)		
0131M00199	Motor - 1/2 HP PROGRAMMED (M1, M2, M15, M16)		
0131M00197	Motor - 1/2 HP PROGRAMMED (M5, M19)		
0131M00218	Motor - 1/2 HP PROGRAMMED (M6, M7, M20, M21)		
0131M00213	Motor - 1/2 HP PROGRAMMED (M3, M4, M17, M18)		

Expanded Model Nomenclature

M1 - APG152407041AB
M2 - APG152407041AC
M3 - APG153009041AB
M4 - APG153009041AC
M5 - APG153609041AC
M6 - APG153709041AB
M7 - APG153709041AC
M8 - APG154211541AB
M9 - APG154211541AC
M10 - APG154811541AC
M11 - APG154911541AB
M12 - APG154911541AC
M13 - APG156014041AC
M14 - APG156014041AD
M15 - GPG152407041AB
M16 - GPG152407041AC
M17 - GPG153009041AB
M18 - GPG153009041AC
M19 - GPG153609041AC
M20 - GPG153709041AB
M21 - GPG153709041AC
M22 - GPG154211541AB
M23 - GPG154211541AC
M24 - GPG154811541AC
M25 - GPG154911541AB
M26 - GPG154911541AC
M27 - GPG156014041AC
M28 - GPG156014041AD

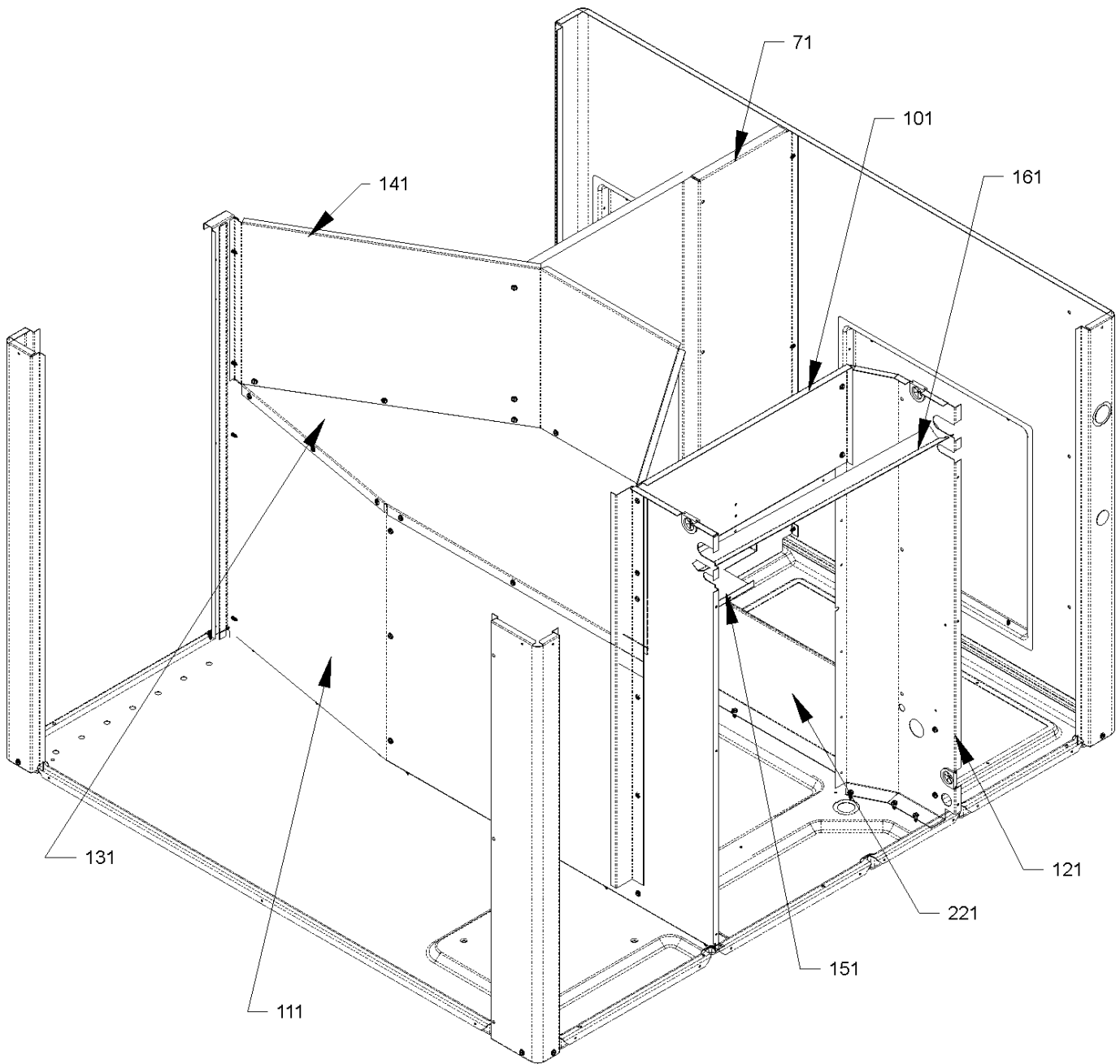
Top Panel/Fan/Cabinet



Top Panel/Fan/Cabinet

Ref. Part No:	No:	Description:	Ref. Part No:	No:	Description:																												
<i>Image 1:</i>			<i>Image 1:</i>																														
11	0150G00003	BLADE, FAN 26 SWEPT WING (M8, M9, M10, M11, M12, M13, M14, M22, M23, M24, M25, M26, M27, M28)	251	20464202PDG	CORNER POST-COMP END 40" (M8, M9, M10, M11, M12, M13, M14, M22, M23, M24, M25, M26, M27, M28)																												
11	0150G00002	FAN BLADE SWEPT-WING (M3, M4, M5, M6, M7, M17, M18, M19, M20, M21)	261	20464301PDG	CORNER POST-HAIRPIN END 32" (M1, M2, M3, M4, M5, M6, M7, M15, M16, M17, M18, M19, M20, M21)																												
11	B1086773	FAN BLADE, 22" DIA. (M1, M2, M15, M16)	261	20464302PDG	CORNER POST-HAIRPIN END 40" (M8, M9, M10, M11, M12, M13, M14, M22, M23, M24, M25, M26, M27, M28)																												
21	0131M00007P	COND MOTOR 1/4 HP, 1 SP, 6 PL (M8, M9, M10, M11, M12, M13, M14, M22, M23, M24, M25, M26, M27, M28)	281	0121G00190	FLUE HOOD-LOWER																												
21	0131M00009P	COND MOTOR 1/6 HP, 1 SP, 8 PL (M1, M2, M15, M16)	291	20472601	SCREEN-FLUE HOOD																												
21	0131M00061	MOTOR, 1/4HP, 1SP, 8PL (M3, M4, M5, M6, M7, M17, M18, M19, M20, M21)	301	B1910012	GAS LINE GROMMET																												
31	0152G00002	GRILLE-FAN	NS	0163M00006P	ACORN NUT 5/16 HEX BLACK (QTY 4)																												
41	20466001PDG	TOP PANEL	NS	20464802PDG	DOOR-EVAP/CONTROL 32 W/PAINT (M1, M2, M3, M4, M5, M6, M7, M15, M16, M17, M18, M19, M20, M21)																												
51	M0221817	SMALL SCREW (QTY 6)	NS	0270G00070	FLUE HOOD ASSY																												
71	0260G00025P	INSULATED ASSY, BLOWER PANEL 32.5" (M1, M2, M3, M4, M5, M6, M7, M15, M16, M17, M18, M19, M20, M21)	NS	17788000083F	PVC CONDUIT 8.25"																												
71	0260G00026P	INSULATED ASSY, BLOWER PANEL 40" (M8, M9, M10, M11, M12, M13, M14, M22, M23, M24, M25, M26, M27, M28)	NS	0259G00041	WIRE HARNESS, FAN MOTOR (M1, M2, M15, M16)																												
81	20464807PDG	EVAP/CONTROL DOOR 40" (M8, M9, M10, M11, M12, M13, M14, M22, M23, M24, M25, M26, M27, M28)	NS	0259G00088	WIRE HARNESS, FAN MOTOR (M8, M9, M22, M23)																												
91	0121G00179DG	HEAT EXCHANGER DOOR 32" (M1, M2, M3, M4, M5, M6, M7, M15, M16, M17, M18, M19, M20, M21)	NS	0259G00089	WIRE HARNESS, FAN MOTOR (M3, M4, M6, M7, M17, M18, M20, M21)																												
91	0121G00181DG	HEAT EXCHANGER DOOR 40" (M8, M9, M10, M11, M12, M13, M14, M22, M23, M24, M25, M26, M27, M28)	Expanded Model Nomenclature																														
101	20464804PDG	DOOR-COMPRESSOR 32 W/PAINT (M1, M2, M3, M4, M5, M6, M7, M15, M16, M17, M18, M19, M20, M21)	<table border="1"> <tr><td>M1 - APG152407041AB</td></tr> <tr><td>M2 - APG152407041AC</td></tr> <tr><td>M3 - APG153009041AB</td></tr> <tr><td>M4 - APG153009041AC</td></tr> <tr><td>M5 - APG153609041AC</td></tr> <tr><td>M6 - APG153709041AB</td></tr> <tr><td>M7 - APG153709041AC</td></tr> <tr><td>M8 - APG154211541AB</td></tr> <tr><td>M9 - APG154211541AC</td></tr> <tr><td>M10 - APG154811541AC</td></tr> <tr><td>M11 - APG154911541AB</td></tr> <tr><td>M12 - APG154911541AC</td></tr> <tr><td>M13 - APG156014041AC</td></tr> <tr><td>M14 - APG156014041AD</td></tr> <tr><td>M15 - GPG152407041AB</td></tr> <tr><td>M16 - GPG152407041AC</td></tr> <tr><td>M17 - GPG153009041AB</td></tr> <tr><td>M18 - GPG153009041AC</td></tr> <tr><td>M19 - GPG153609041AC</td></tr> <tr><td>M20 - GPG153709041AB</td></tr> <tr><td>M21 - GPG153709041AC</td></tr> <tr><td>M22 - GPG154211541AB</td></tr> <tr><td>M23 - GPG154211541AC</td></tr> <tr><td>M24 - GPG154811541AC</td></tr> <tr><td>M25 - GPG154911541AB</td></tr> <tr><td>M26 - GPG154911541AC</td></tr> <tr><td>M27 - GPG156014041AC</td></tr> <tr><td>M28 - GPG156014041AD</td></tr> </table>			M1 - APG152407041AB	M2 - APG152407041AC	M3 - APG153009041AB	M4 - APG153009041AC	M5 - APG153609041AC	M6 - APG153709041AB	M7 - APG153709041AC	M8 - APG154211541AB	M9 - APG154211541AC	M10 - APG154811541AC	M11 - APG154911541AB	M12 - APG154911541AC	M13 - APG156014041AC	M14 - APG156014041AD	M15 - GPG152407041AB	M16 - GPG152407041AC	M17 - GPG153009041AB	M18 - GPG153009041AC	M19 - GPG153609041AC	M20 - GPG153709041AB	M21 - GPG153709041AC	M22 - GPG154211541AB	M23 - GPG154211541AC	M24 - GPG154811541AC	M25 - GPG154911541AB	M26 - GPG154911541AC	M27 - GPG156014041AC	M28 - GPG156014041AD
M1 - APG152407041AB																																	
M2 - APG152407041AC																																	
M3 - APG153009041AB																																	
M4 - APG153009041AC																																	
M5 - APG153609041AC																																	
M6 - APG153709041AB																																	
M7 - APG153709041AC																																	
M8 - APG154211541AB																																	
M9 - APG154211541AC																																	
M10 - APG154811541AC																																	
M11 - APG154911541AB																																	
M12 - APG154911541AC																																	
M13 - APG156014041AC																																	
M14 - APG156014041AD																																	
M15 - GPG152407041AB																																	
M16 - GPG152407041AC																																	
M17 - GPG153009041AB																																	
M18 - GPG153009041AC																																	
M19 - GPG153609041AC																																	
M20 - GPG153709041AB																																	
M21 - GPG153709041AC																																	
M22 - GPG154211541AB																																	
M23 - GPG154211541AC																																	
M24 - GPG154811541AC																																	
M25 - GPG154911541AB																																	
M26 - GPG154911541AC																																	
M27 - GPG156014041AC																																	
M28 - GPG156014041AD																																	
101	20464809PDG	DOOR-COMPRESSOR 40 W/PAINT (M8, M9, M10, M11, M12, M13, M14, M22, M23, M24, M25, M26, M27, M28)																															
111	20467701PDG	LOUVERED PANEL, COND SIDE 32" (M15, M16, M17, M18, M19, M20, M21)																															
111	20467701PLG	LOUVERED PANEL, COND SIDE 32" (M1, M2, M3, M4, M5, M6, M7)																															
111	20467702PDG	LOUVERED PANEL, COND SIDE 40" (M22, M23, M24, M25, M26, M27, M28)																															
111	20467702PLG	LOUVERED PANEL, COND SIDE 40" (M8, M9, M10, M11, M12, M13, M14)																															
121	20466101PDG	UTILITY PANEL 32" (M1, M2, M3, M4, M5, M6, M7, M15, M16, M17, M18, M19, M20, M21)																															
121	20466102PDG	UTILITY PANEL 40" (M8, M9, M10, M11, M12, M13, M14, M22, M23, M24, M25, M26, M27, M28)																															
131	0121G00239DG	PNL, DUCT, GAS 32.5" (M1, M2, M3, M4, M5, M6, M7, M15, M16, M17, M18, M19, M20, M21)																															
131	0121G00240DG	PNL, DUCT, GAS 40" (M8, M9, M10, M11, M12, M13, M14, M22, M23, M24, M25, M26, M27, M28)																															
141	0121G00208	SUPPORT POST 32" (M1, M2, M3, M4, M5, M6, M7, M15, M16, M17, M18, M19, M20, M21)																															
141	0121G00209	SUPPORT POST 40" (M8, M9, M10, M11, M12, M13, M14, M22, M23, M24, M25, M26, M27, M28)																															
161	20464401PDG	LOUVERED PANEL, COND SIDE 32" (M15, M16, M17, M18, M19, M20, M21)																															
161	20464401PLG	LOUVERED PANEL, COND SIDE 32" (M1, M2, M3, M4, M5, M6, M7)																															
161	20464402PDG	LOUVERED PANEL, COND SIDE 40" (M22, M23, M24, M25, M26, M27, M28)																															
161	20464402PLG	LOUVERED PANEL, COND SIDE 40" (M8, M9, M10, M11, M12, M13, M14)																															
251	20464201PDG	CORNER POST-COMP END 32" (M1, M2, M3, M4, M5, M6, M7, M15, M16, M17, M18, M19, M20, M21)																															

Partition Panels



Partition Panels

Ref. Part No: No:	Description:	Ref. Part No: No:	Description:
-------------------	--------------	-------------------	--------------

Image 1:

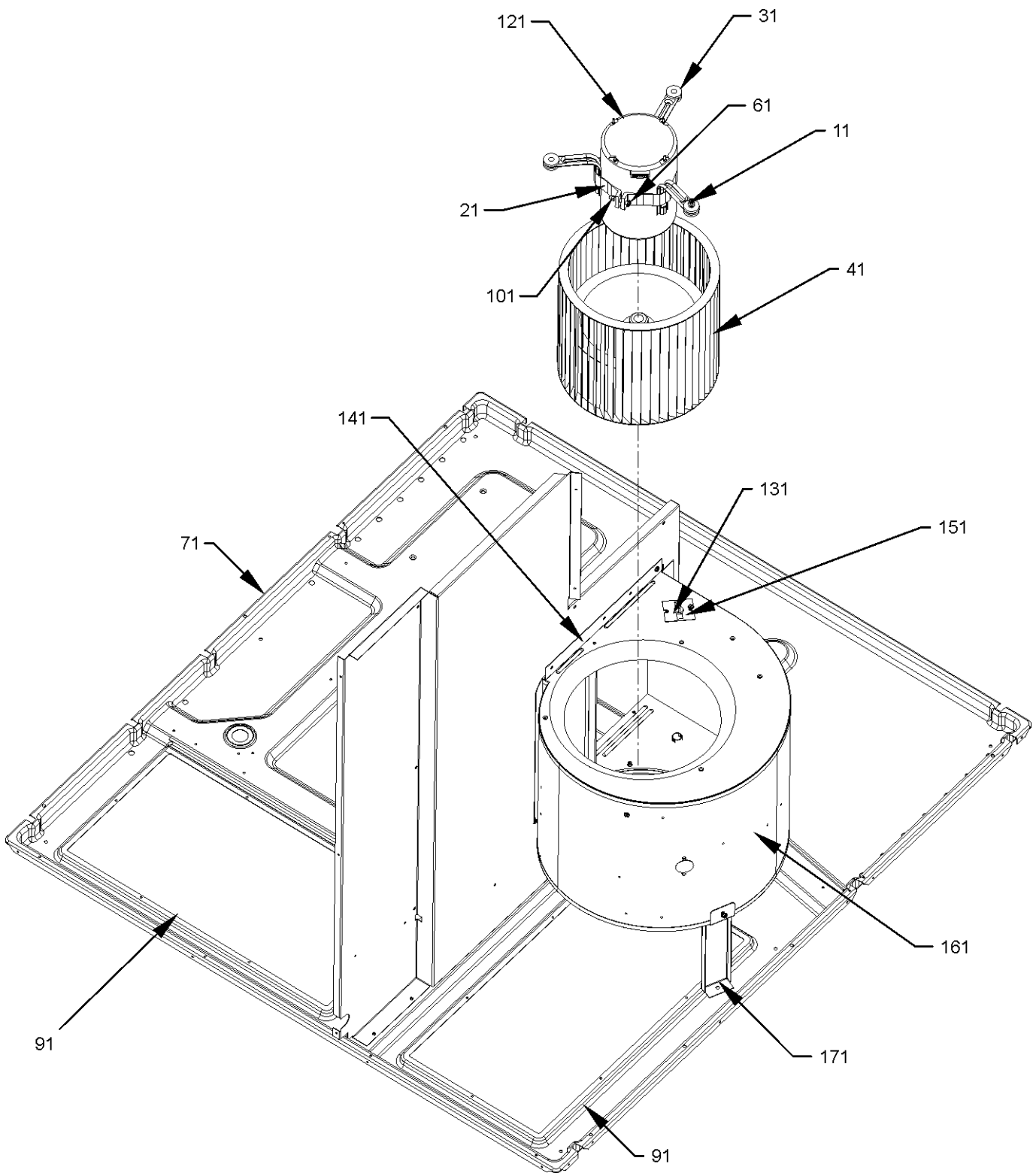
71	20465305	BLOWER DIVIDER (M1, M2, M15, M16)
71	20465304	BLOWER DIVIDER 32" 10 X 9 (M3, M4, M5, M6, M7, M17, M18, M19, M20, M21)
71	0121G00177	BLOWER DIVIDER 38" (M8, M9, M10, M11, M12, M13, M14, M22, M23, M24, M25, M26, M27, M28)
101	20465201	FILLER PANEL, HEAT EXCHANGER 32" (M1, M2, M3, M4, M5, M6, M7, M15, M16, M17, M18, M19, M20, M21)
121	20465501	EVAP/HEAT EXCHANGER DIVIDER 32" (M1, M2, M3, M4, M5, M6, M7, M15, M16, M17, M18, M19, M20, M21)
121	20465502	EVAP/HEAT EXCHANGER DIVIDER 38" (M8, M9, M10, M11, M12, M13, M14, M22, M23, M24, M25, M26, M27, M28)
131	20465701	FAN PARTITION SHELF
141	20465801	FAN SURROUND 32" (M1, M2, M3, M4, M5, M6, M7, M15, M16, M17, M18, M19, M20, M21)
221	20463801	EVAP/BASEPAN BLOCK 40" (M8, M9, M10, M11, M12, M13, M14, M22, M23, M24, M25, M26, M27, M28)
271	20496801	DRAIN CHANNEL, SUCTION TUBE

Expanded Model Nomenclature

- M1 - APG152407041AB
- M2 - APG152407041AC
- M3 - APG153009041AB
- M4 - APG153009041AC
- M5 - APG153609041AC
- M6 - APG153709041AB
- M7 - APG153709041AC
- M8 - APG154211541AB
- M9 - APG154211541AC
- M10 - APG154811541AC
- M11 - APG154911541AB
- M12 - APG154911541AC
- M13 - APG156014041AC
- M14 - APG156014041AD
- M15 - GPG152407041AB
- M16 - GPG152407041AC
- M17 - GPG153009041AB
- M18 - GPG153009041AC
- M19 - GPG153609041AC
- M20 - GPG153709041AB
- M21 - GPG153709041AC
- M22 - GPG154211541AB
- M23 - GPG154211541AC
- M24 - GPG154811541AC
- M25 - GPG154911541AB
- M26 - GPG154911541AC
- M27 - GPG156014041AC
- M28 - GPG156014041AD

Effective July 2008 (serial codes 0807), single phase units will no longer be factory shipped with horizontal duct covers. For downshot applications, contact your local Goodman distributor.

Basepan/Blower Assembly



Basepan/Blower Assembly

**Ref. Part
No: No:**

Description:

**Ref. Part
No: No:**

Description:

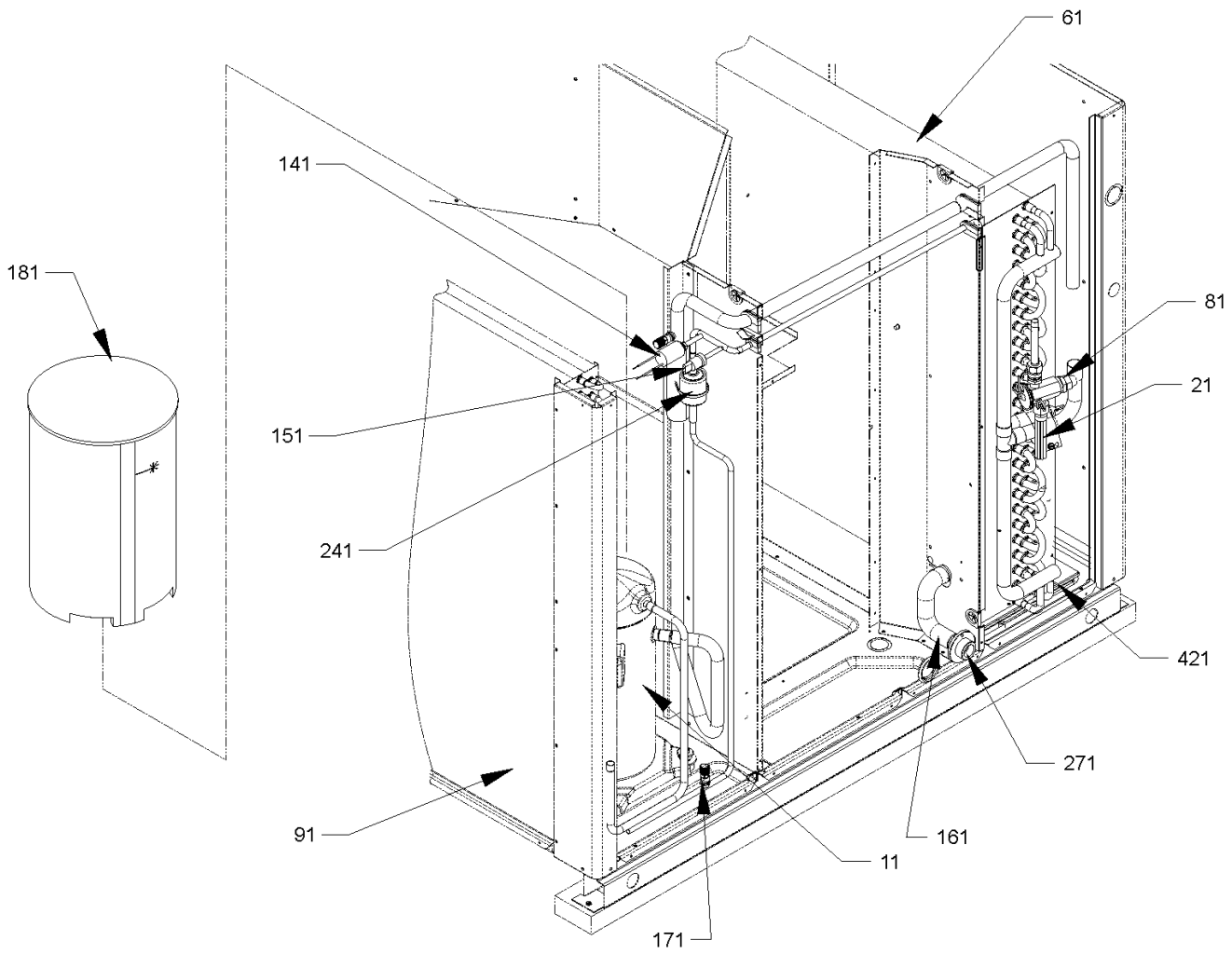
Image 1:

21	0121M00038	MOTOR MOUNT BAND
31	B1376857	MOTOR MOUNT ARM (QTY 3)
41	D6723303	BLOWER WHEEL (M3, M4, M5, M6, M7, M17, M18, M19, M20, M21)
41	B1368058	BLOWER WHEEL 10 X 8 (M1, M2, M15, M16)
41	B1368000	BLOWER WHEEL 11 X 10 (M8, M9, M10, M11, M12, M13, M14, M22, M23, M24, M25, M26, M27, M28)
61	B1393323	MACHINE SCREW HWH 1/4-20 X 1-1/2 BZ
91	0121G00148	SINGLE COVER, DOWN DISCHARGE (QTY 2)
101	B1393800	LOCKNUT, NYLON, INSERT 1/4, 20
121	0131M00196	Motor - 1 HP PROGRAMMED (M13, M14, M27, M28)
121	0131M00197	Motor - 1/2 HP PROGRAMMED (M5, M19)
121	0131M00199	Motor - 1/2 HP PROGRAMMED (M1, M2, M15, M16)
121	0131M00213	Motor - 1/2 HP PROGRAMMED (M3, M4, M17, M18)
121	0131M00218	Motor - 1/2 HP PROGRAMMED (M6, M7, M20, M21)
121	0131M00198	Motor - 3/4 HP PROGRAMMED (M10, M24)
121	0131M00214	Motor - 3/4 HP PROGRAMMED (M8, M9, M22, M23)
121	0131M00219	Motor - 3/4 HP PROGRAMMED (M11, M12, M25, M26)
131	20269903	AUXILIARY LIMIT, AUTO RESET
141	20463701	11 X 10 BLOWER MOUNTING (M8, M9, M10, M11, M12, M13, M14, M22, M23, M24, M25, M26, M27, M28)
151	2509503F	AUXILIARY LIMIT BRACKET
161	0271F00001P	BLOWER HOUSING ASSY 10 X 8 (M1, M2, M15, M16)
161	0271G00024	BLOWER HOUSING ASSY 10 X 9 (M3, M4, M5, M6, M7, M17, M18, M19, M20, M21)
161	2539309	BLOWER HOUSING ASSY 11 X 10 (M8, M9, M10, M11, M12, M13, M14, M22, M23, M24, M25, M26, M27, M28)
171	4322801	11 X 10 BLOWER SUPPORT LRG (M8, M9, M10, M11, M12, M13, M14, M22, M23, M24, M25, M26, M27, M28)
NS	764742	BLOWER BLOCK-OFF (M3, M4, M5, M6, M7, M17, M18, M19, M20, M21)
NS	764740F	BLOWER BLOCK-OFF 10 X 8 (M1, M2, M15, M16)
NS	1864703F	BLOWER CUT-OFF (M8, M9, M10, M11, M12, M13, M14, M22, M23, M24, M25, M26, M27, M28)

Expanded Model Nomenclature

M1 - APG152407041AB
M2 - APG152407041AC
M3 - APG153009041AB
M4 - APG153009041AC
M5 - APG153609041AC
M6 - APG153709041AB
M7 - APG153709041AC
M8 - APG154211541AB
M9 - APG154211541AC
M10 - APG154811541AC
M11 - APG154911541AB
M12 - APG154911541AC
M13 - APG156014041AC
M14 - APG156014041AD
M15 - GPG152407041AB
M16 - GPG152407041AC
M17 - GPG153009041AB
M18 - GPG153009041AC
M19 - GPG153609041AC
M20 - GPG153709041AB
M21 - GPG153709041AC
M22 - GPG154211541AB
M23 - GPG154211541AC
M24 - GPG154811541AC
M25 - GPG154911541AB
M26 - GPG154911541AC
M27 - GPG156014041AC
M28 - GPG156014041AD

Compressor/Tubing Assembly



Compressor/Tubing Assembly

**Ref. Part
No: No:**

Description:

**Ref. Part
No: No:**

Description:

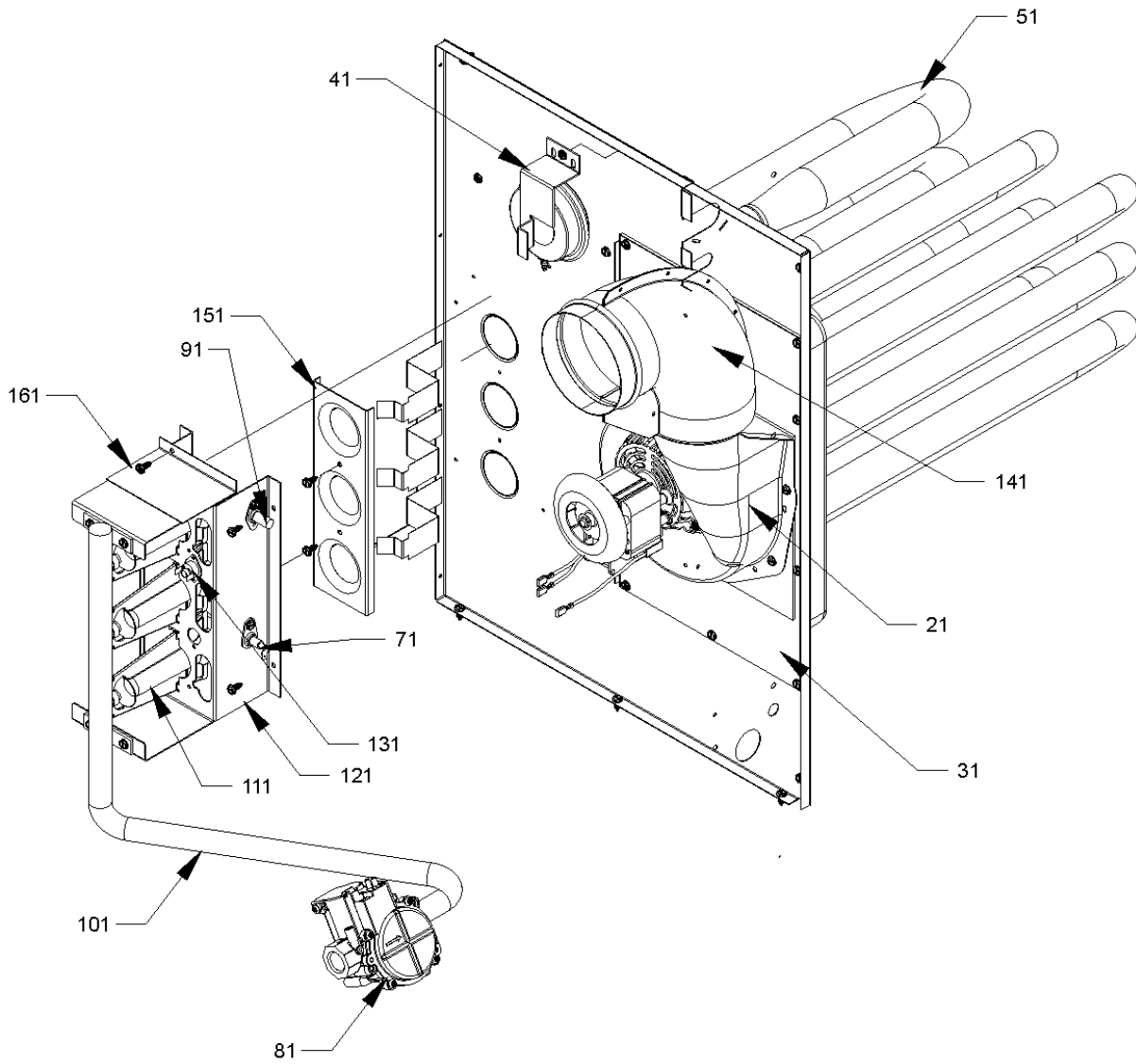
Image 1:

11	ZP20K5EPFV130	COMPRESSOR 20000, 208/230/60/1 (M1, M2, M15, M16)
11	ZP25K5EPFV130	COMPRESSOR 25200, 208/230/60/1 (M3, M4, M17, M18)
11	ZPS30K4EPFV230	COMPRESSOR 30000, 208/230/60/1/2STG (M5, M19)
11	ZP31K5EPFV130	COMPRESSOR 31100, 208/230/60/1 (M6, M7, M20, M21)
11	ZP34K5EPFV130	COMPRESSOR 34500, 208/230/60/1 (M8, M9, M22, M23)
11	ZPS40K4EPFV230	COMPRESSOR 40000, 208/230/60/1/2STG (M10, M11, M12, M24, M25, M26)
11	ZPS51K4EPFV230	COMPRESSOR 52000, 208/230/60/1/2STG (M13, M14, M27, M28)
51	0202G00102	TUBING ASSY, EVAP COIL (M1, M2, M15, M16)
61	0202G00103	TUBING ASSY, EVAP COIL (M5, M6, M7, M19, M20, M21)
61	0202G00104	TUBING ASSY, EVAP COIL (M10, M11, M12, M13, M14, M24, M25, M26, M27, M28)
61	0202G00291	TUBING ASSY, EVAP COIL (M8, M9, M22, M23)
61	0202G00315	TUBING ASSY, EVAP COIL (M3, M4, M17, M18)
71	0162M00118	FLOWRATOR .072 (M8, M9, M22, M23)
71	B1314400	FLOWRATOR [EVAP] (M1, M2, M15, M16)
71	B1314800	FLOWRATOR [EVAP] (M5, M6, M7, M10, M11, M12, M13, M14, M19, M20, M21, M24, M25, M26, M27, M28)
81	0151G00001	VALVE, TXV (M1, M2, M15, M16)
81	0151M00016	VALVE-TXV (M10, M11, M12, M13, M14, M24, M25, M26, M27, M28)
81	0151M00017	VALVE-TXV (M5, M6, M7, M19, M20, M21)
91	0201G00072	TUBING ASSY, COND COIL (M8, M9, M10, M11, M12, M13, M14, M22, M23, M24, M25, M26, M27, M28)
91	0201G00084	TUBING ASSY, COND COIL (M1, M2, M15, M16)
91	0201G00086	TUBING ASSY, COND COIL (M5, M19)
91	0201G00164	TUBING ASSY, COND COIL (M3, M4, M6, M7, M17, M18, M20, M21)
141	0130M00018	CUT-OUT SWITCH, HIGH PRESSURE
151	0130M00019	CUT-OUT SWITCH, LOW PRESSURE
171	B9102097	CAP W/O-RING (QTY 2)
271	20513001	EVAP DRAIN FITTING (M1, M2, M3, M4, M5, M6, M7, M15, M16, M17, M18, M19, M20, M21)
421	20464901DF	DRAIN PAN-EVAP COIL
NS	B1339533	COMPRESSOR GROMMET (QTY 4)
NS	0121G00324	EVAP DRIP SHIELD (M1, M2, M3, M4, M5, M6, M7, M8, M9, M10, M11, M12, M13, M14, M15, M16, M17, M18, M19, M20, M21, M23, M24, M25, M26, M27, M28)
NS	0162M00085	FLOWRATOR .065 [COND] (M3, M4, M17, M18)
NS	B1392669	INSULATION ARMAFLEX 3/4" OD
NS	M0221641	TF SHOULDER SCREW (QTY 4)

Expanded Model Nomenclature

M1 - APG152407041AB
M2 - APG152407041AC
M3 - APG153009041AB
M4 - APG153009041AC
M5 - APG153609041AC
M6 - APG153709041AB
M7 - APG153709041AC
M8 - APG154211541AB
M9 - APG154211541AC
M10 - APG154811541AC
M11 - APG154911541AB
M12 - APG154911541AC
M13 - APG156014041AC
M14 - APG156014041AD
M15 - GPG152407041AB
M16 - GPG152407041AC
M17 - GPG153009041AB
M18 - GPG153009041AC
M19 - GPG153609041AC
M20 - GPG153709041AB
M21 - GPG153709041AC
M22 - GPG154211541AB
M23 - GPG154211541AC
M24 - GPG154811541AC
M25 - GPG154911541AB
M26 - GPG154911541AC
M27 - GPG156014041AC
M28 - GPG156014041AD

Heat Exchanger/Manifold/Gas Valve



Heat Exchanger/Manifold/Gas Valve

**Ref. Part
No: No:**

Description:

**Ref. Part
No: No:**

Description:

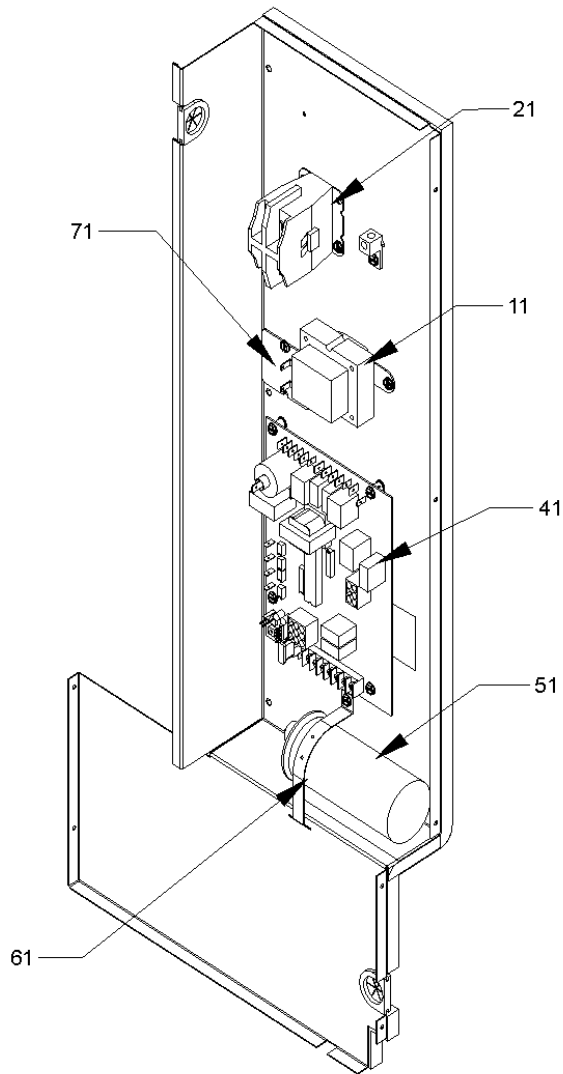
Image 1:

21	0131G00001	MOTOR, ID BLOWER (M1, M3, M5, M6, M8, M10, M11, M13, M15, M17, M19, M20, M22, M24, M25, M27)
21	0131G00009	MOTOR, ID BLOWER (M2, M4, M7, M9, M12, M14, M16, M18, M21, M23, M26, M28)
31	0121G00218	ID BLOWER PLATE LRG 5 BRNR (M8, M10, M11, M22, M24, M25)
31	20463203	ID BLOWER PLATE LRG 6 BRNR (M13, M27)
31	20463102	ID BLOWER PLATE SML 3 BRNR (M1, M15)
31	20463103	ID BLOWER PLATE SML 4 BRNR (M3, M5, M6, M17, M19, M20)
31	0121G00434	PLATE-ID BLWR LRG 5 BRNR (M9, M12, M23, M26)
31	0121G00432	PLATE-ID BLWR LRG 6 BRNR (M14, M28)
31	0121G00428	PLATE-ID BLWR SML 3 BRNR (M2, M16)
31	0121G00429	PLATE-ID BLWR SML 4 BRNR (M4, M7, M18, M21)
41	11112501	PRESSURE SWITCH
51	4305007	HEAT EXCHANGER ASSY (M15)
51	4305016	HEAT EXCHANGER ASSY (M3, M5, M6)
51	4305018	HEAT EXCHANGER ASSY (M8, M10, M11)
51	4305023	HEAT EXCHANGER ASSY (M1)
51	4305026	HEAT EXCHANGER ASSY (M13)
51	4305008	HEAT EXCHANGER ASSY 4B (MED-12) (M17, M19, M20)
51	4305012	HEAT EXCHANGER ASSY 5B (M22, M24, M25)
51	4305019	HEAT EXCHANGER ASSY 6B (M27)
71	0130F00014	IGNITOR
81	0151F00000P	GAS VALVE
91	0130F00010	FLAME SENSOR
101	20493103	MANIFOLD - 3 BRNR (M1, M2, M15, M16)
101	20493104	MANIFOLD - 4 BRNR (M3, M4, M5, M6, M7, M17, M18, M19, M20, M21)
101	20493106	MANIFOLD - 5 BRNR (M8, M9, M10, M11, M12, M22, M23, M24, M25, M26)
101	20493107	MANIFOLD - 6 BRNR (M13, M14, M27, M28)
111	10735102	BECKETT BURNER (QTY A/R)
121	20190411	BURNER BRACKET 3B (M1, M2, M15, M16)
121	20190412	BURNER BRACKET 4B (M3, M4, M5, M6, M7, M17, M18, M19, M20, M21)
121	20190413	BURNER BRACKET 5B (M8, M9, M10, M11, M12, M22, M23, M24, M25, M26)
121	0121F00145	BURNER BRACKET 6B (M13, M14, M27, M28)
131	10123529	MANUAL RESET LIMIT
141	20484401W	FLUE ELBOW LEFT (M1, M2, M15, M16)
141	20484402W	FLUE ELBOW RIGHT (M1, M2, M15, M16)
151	11072202	ORIFICE SHIELD (M1, M2, M15, M16)
151	11072203	ORIFICE SHIELD (M3, M4, M5, M6, M7, M17, M18, M19, M20, M21)
151	11072204	ORIFICE SHIELD (M8, M9, M10, M11, M12, M22, M23, M24, M25, M26)
151	11072205	ORIFICE SHIELD (M13, M14, M27, M28)
NS	0154G00003	GASKET, ID BLOWER & PLATE (M2, M4, M7, M16, M18, M21)
NS	0154G00004	GASKET, ID BLOWER & PLATE (M9, M12, M14, M23, M26, M28)
NS	20463001	ID BLOWER PLATE GASKET LRG (M8, M10, M11, M13, M22, M24, M25, M27)
NS	20462801	ID BLOWER PLATE GASKET SML (M1, M15)
NS	20462801	ID BLOWER PLATE GASKET SML (M3, M5, M6, M17, M19, M20)
NS	10716003	ORIFICE (QTY A/R)

Expanded Model Nomenclature

M1 - APG152407041AB
M2 - APG152407041AC
M3 - APG153009041AB
M4 - APG153009041AC
M5 - APG153609041AC
M6 - APG153709041AB
M7 - APG153709041AC
M8 - APG154211541AB
M9 - APG154211541AC
M10 - APG154811541AC
M11 - APG154911541AB
M12 - APG154911541AC
M13 - APG156014041AC
M14 - APG156014041AD
M15 - GPG152407041AB
M16 - GPG152407041AC
M17 - GPG153009041AB
M18 - GPG153009041AC
M19 - GPG153609041AC
M20 - GPG153709041AB
M21 - GPG153709041AC
M22 - GPG154211541AB
M23 - GPG154211541AC
M24 - GPG154811541AC
M25 - GPG154911541AB
M26 - GPG154911541AC
M27 - GPG156014041AC
M28 - GPG156014041AD

Control Panel



Control Panel

Ref. Part

No: No:

Description:

Ref. Part

No: No:

Description:

Image 1:

11	B1141643	TRANSFORMER 208/230, 24V
21	CONT2P025024V	CONTACTOR 25 AMP, 2P, 24V (M1, M2, M3, M4, M5, M6, M7, M15, M16, M17, M18, M19, M20, M21)
21	CONT2P030024V	CONTACTOR 30 AMP, 2P, 24V (M8, M9, M10, M11, M12, M22, M23, M24, M25, M26)
21	CONT2P040024V	CONTACTOR 40 AMP, 2P, 24V (M13, M14, M27, M28)
41	PCBAG127	PCB, IGNITION, DSI, 2 STG (QTY -1)
51	CAP050350440RS	CAPACITOR 5/35/440V (M1, M2, M15, M16)
51	CAP050400440RT	CAPACITOR 5/40/440V (M3, M4, M5, M17, M18, M19)
51	CAP050450440RT	CAPACITOR 5/45/440V (M6, M7, M8, M9, M10, M11, M12, M20, M21, M22, M23, M24, M25, M26)
51	CAP050800440RT	CAPACITOR 5/80/440V (M13, M14, M27, M28)
61	20520901	CAPACITOR STRAP
71	10728343	LIMIT SWITCH (M3, M4, M5, M6, M7, M13, M14, M17, M18, M19, M20, M21, M27, M28)
71	10728344	LIMIT SWITCH (M8, M9, M10, M11, M12, M22, M23, M24, M25, M26)
NS	0159G00002	COMPRESSOR SCROLL HARNESS (M1, M2, M3, M4, M6, M7, M8, M9, M15, M16, M17, M18, M20, M21, M22, M23)
NS	0159G00001	COMPRESSOR SOLENOID CABLE (M5, M10, M11, M12, M13, M14, M19, M24, M25, M26, M27, M28)
NS	B1393803	SUPPORT, SINGLE-WING BOARD (QTY 2)
NS	0259G00030	WIRE ASSY-6 CIRCUIT
NS	0259G00029	WIRE ASSY-9 CIRCUIT
NS	0259G00027	WIRE HARNESS, 6 CIRCUIT (M3, M4, M5, M6, M7, M8, M9, M10, M11, M12, M13, M14, M17, M18, M19, M20, M21, M22, M23, M24, M25, M26, M27, M28)
NS	0259G00044	WIRE HARNESS, 9 CIRCUIT (M1, M2, M15, M16)
NS	0259G00044	WIRE HARNESS, 9 CIRCUIT (M3, M4, M5, M6, M7, M8, M9, M10, M11, M12, M13, M14, M17, M18, M19, M20, M21, M22, M23, M24, M25, M26, M27, M28)
NS	0259G00076	WIRE HARNESS, COMPRESSOR (M5, M19)
NS	0259G00031	WIRE HARNESS, ECONOMIZER (M3, M4, M5, M6, M7, M8, M9, M10, M11, M12, M13, M14, M17, M18, M19, M20, M21, M22, M23, M24, M25, M26, M27, M28)

Expanded Model Nomenclature

M1 - APG152407041AB
M2 - APG152407041AC
M3 - APG153009041AB
M4 - APG153009041AC
M5 - APG153609041AC
M6 - APG153709041AB
M7 - APG153709041AC
M8 - APG154211541AB
M9 - APG154211541AC
M10 - APG154811541AC
M11 - APG154911541AB
M12 - APG154911541AC
M13 - APG156014041AC
M14 - APG156014041AD
M15 - GPG152407041AB
M16 - GPG152407041AC
M17 - GPG153009041AB
M18 - GPG153009041AC
M19 - GPG153609041AC
M20 - GPG153709041AB
M21 - GPG153709041AC
M22 - GPG154211541AB
M23 - GPG154211541AC
M24 - GPG154811541AC
M25 - GPG154911541AB
M26 - GPG154911541AC
M27 - GPG156014041AC
M28 - GPG156014041AD