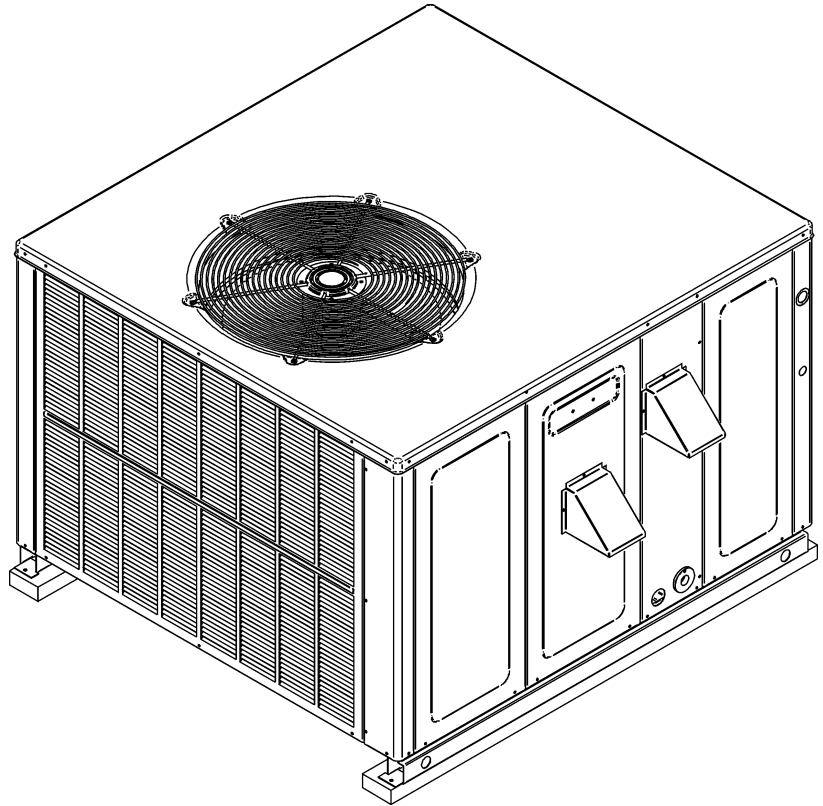


APG14 "M" Series Residential Package Gas Unit

APG1424040M41AA
APG1424060M41AA
APG1430040M41AA
APG1430060M41AA
APG1436040M41AA
APG1436060M41AA
APG1436080M41AA
APG1442060M41AA
APG1442080M41AA
APG1448060M41AA
APG1448080M41AA
APG1448100M41AA
APG1460080M41AA
APG1460100M41AA
APG1460120M41AA



Amana® is a registered trademark of Maytag Corporation or its related companies and is used under license to Goodman Company, L.P., Houston, TX, USA. All rights reserved.

This manual is to be used by qualified technicians only.

Important Information

Index

Functional Parts List	3
Illustration and Parts	4 - 15

Views shown are for parts illustrations only, not servicing procedures

Introduction of the 2015 Ready units.

Text Codes:

AR - As Required

NA - Not Available

NS - Not Shown

00000000 - See Note

QTY - Quantity Example (QTY 3) (If Quantity not shown, Quantity = 1)

M - Model Example (M1) (If M Code not shown, then part is used on all Models)

Expanded Model Nomenclature:

Example M1 - Model#1 M2 - Model#2 M3 - Model#3

Goodman Company, L.P. is not responsible for personal injury or property damage resulting from improper service. Review all service information before beginning repairs.

Warranty service must be performed by an authorized technician, using authorized factory parts. If service is required after the warranty expires, Goodman Company, L.P. also recommends contacting an authorized technician and using authorized factory parts.

Goodman Company, L.P. reserves the right to discontinue, or change at any time, specifications or designs without notice or without incurring obligations.

For assistance within the U.S.A. contact:

Consumer Affairs Department
Goodman Company, L.P.
7401 Security Way
Houston, Texas 77040
877-254-4729-Telephone
713-863-2382-Facsimile

For assistance outside the U.S.A. contact:

International Division
Goodman Company, L.P.
7401 Security Way
Houston, Texas 77040
713-861-2500-Telephone
713-863-2382-Facsimile

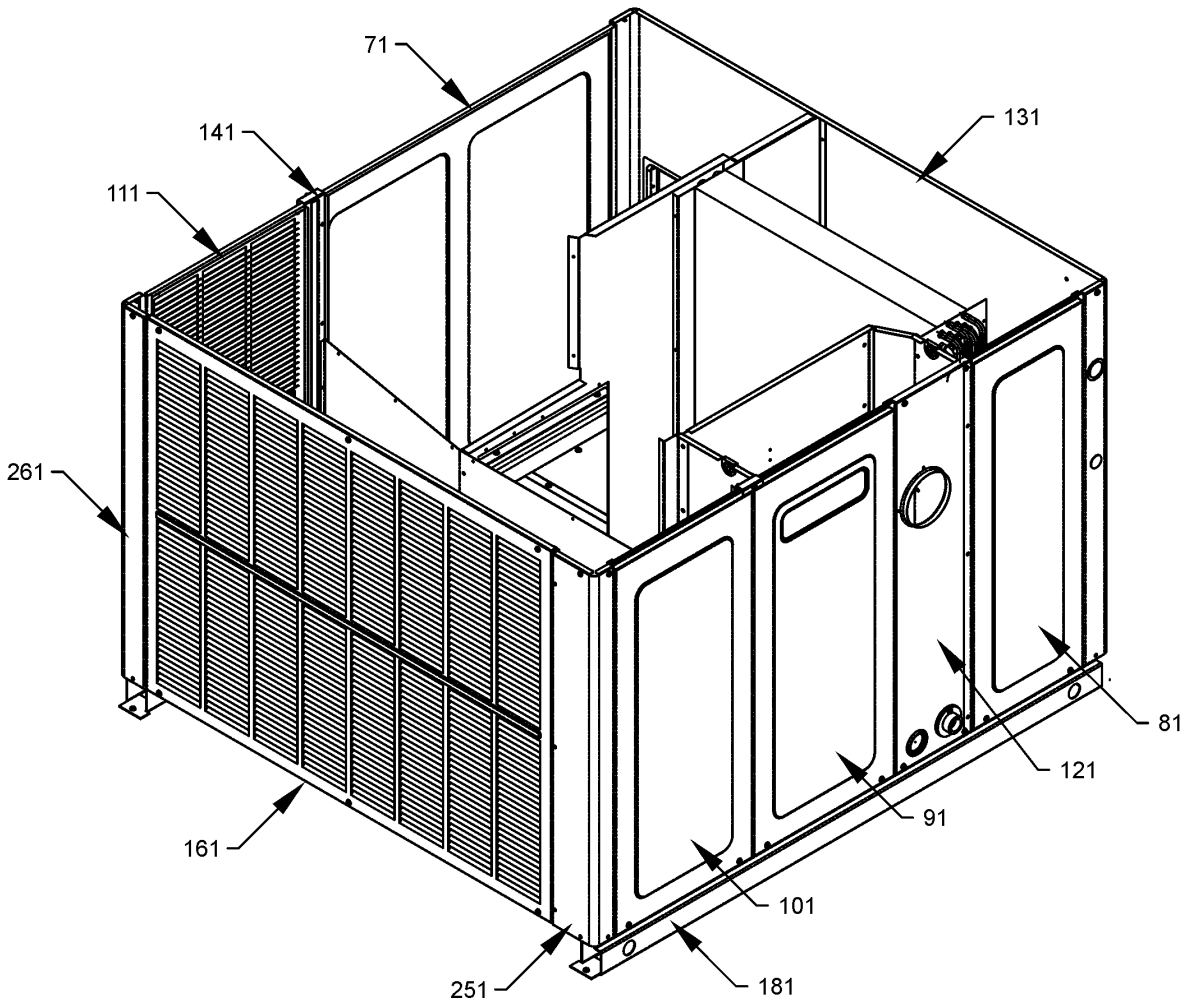
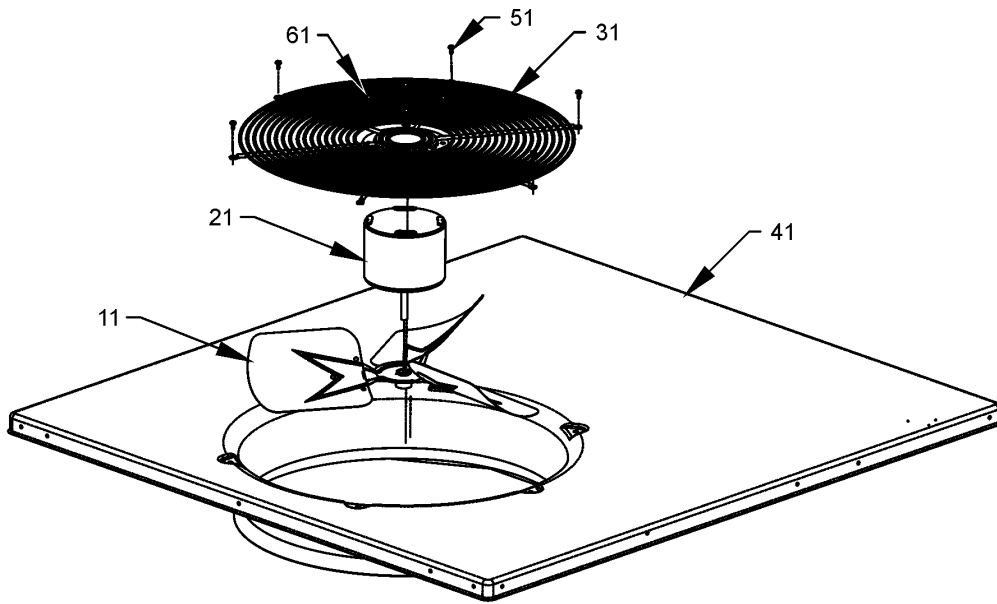
Functional Parts

Part

No: Description:

Part No:	Description:	Part No:	Description:
B1370751	24V RELAY (M1, M2, M3, M4, M5, M6, M7, M8, M9, M10, M11, M12)	0131G00053	PROGRAMMED MOTOR (M14)
0163F00017	BECKETT BURNER (QTY A/R)	0131G00054	PROGRAMMED MOTOR (M15)
D6723303	BLOWER WHEEL (M5, M6, M7, M8, M9)	0131G00010	PROGRAMMED MOTOR (M1, M2)
B1368016	BLOWER WHEEL 10 X 8 (M1, M2, M3, M4)	0131G00012	PROGRAMMED MOTOR (M5, M6, M7)
B1368000	BLOWER WHEEL 11 X 10 (M10, M11, M12, M13, M14, M15)	0131G00014	PROGRAMMED MOTOR (M10, M11, M12)
CAP050350440R	CAPACITOR 5/35/440V (M1, M2)	0131G00015	PROGRAMMED MOTOR (M13)
CAP050400440CT	CAPACITOR 5/40/440V/DUAL RD (M3, M4, M13, M14, M15)	0131G00011	PROGRAMMED MOTOR (M3, M4)
CAP050450440CT	CAPACITOR 5/45/440V/DUAL RD (M5, M6, M7, M8, M9, M10, M11, M12)	0130M00138	TRANSFORMER 208/230, 24V
ZPS51K5EPFV130	COMP, 51900/208/230/60/1 (M13, M14, M15)	0151M00047	VALVE, NXT (M13, M14, M15)
ZP29K5EPFV130	COMP, 29000, 208/230/60/1 (M5, M6, M7)	Expanded Model Nomenclature	
ZP20K5EPFV130	COMPRESSOR 20000, 208/230/60/1 (M1, M2)	M1 - APG1424040M41AA	
ZP25K5EPFV130	COMPRESSOR 25200, 208/230/60/1 (M3, M4)	M2 - APG1424060M41AA	
ZP34K5EPFV130	COMPRESSOR 34500, 208/230/60/1 (M8, M9)	M3 - APG1430040M41AA	
ZP39K5EPFV130	COMPRESSOR 39000, 208/230/60/1 (M10, M11, M12)	M4 - APG1430060M41AA	
0131M00061	COND MOTOR 1/4 HP, 1 SP, 8 PL (M5, M6, M7)	M5 - APG1436040M41AA	
0131M00429	COND MOTOR 1/4 HP, 1 SP, 6 PL (M3, M4, M8, M9, M10, M11, M12, M13, M14, M15)	M6 - APG1436060M41AA	
0131M00009P	COND MOTOR, 1/6 HP, 1 SP, 8 PL (M1, M2)	M7 - APG1436080M41AA	
CONT1P025024V	CONTACTOR 25 AMP, 1P, 24V (M1, M2, M3, M4, M5, M6, M7)	M8 - APG1442060M41AA	
CONT1P030024V	CONTACTOR 30 AMP, 1P, 24V (M8, M9, M10, M11, M12)	M9 - APG1442080M41AA	
CONT2P040024V	CONTACTOR 40 AMP, 2P, 24V (M13, M14, M15)	M10 - APG1448060M41AA	
0130M00074	CUT-OUT SWITCH, HIGH PRESSURE	M11 - APG1448080M41AA	
0130M00087	CUT-OUT SWITCH, LOW PRESSURE (M13, M14, M15)	M12 - APG1448100M41AA	
B1086775	FAN BLADE (M3, M4)	M13 - APG1460080M41AA	
B1086773	FAN BLADE 22" (M1, M2)	M14 - APG1460100M41AA	
0150G00002	FAN BLADE SWEPT-WING (M5, M6, M7)	M15 - APG1460120M41AA	
0150G00003	FAN BLADE SWEPT-WING (M8, M9, M10, M11, M12, M13, M14, M15)		
0130F00010	FLAME SENSOR		
0151F00000P	GAS VALVE - WHITE-RODGERS 2-STAGE (M13, M14, M15)		
0151M00013	GAS VALVE (HW) SINGLE STAGE (M1, M2, M3, M4, M5, M6, M7, M8, M9, M10, M11, M12)		
0131G00001	ID BLOWER (M13, M14, M15)		
0131G00000P	ID BLOWER (M1, M2, M3, M4, M5, M6, M7, M8, M9, M10, M11, M12)		
PCBAG123	IGNITION BOARD, DSI INTEGRATED (M1, M2, M3, M4, M5, M6, M7, M8, M9, M10, M11, M12)		
PCBAG127	IGNITION BOARD, DSI, 2 STG (M13, M14, M15)		
0130F00014	IGNITOR		
10728344	LIMIT SWITCH (M10, M11, M12)		
10728343	LIMIT SWITCH (M13, M14, M15)		
10728342	LIMIT SWITCH (M1, M2, M3, M4, M5, M6, M7, M8, M9)		
10123532	MANUAL RESET LIMIT 350°F (M1, M2, M3, M4, M5, M6, M7, M8, M9, M10, M11, M12)		
10123529	MANUAL RESET LIMIT-GREEN (M13, M14, M15)		
11112501	PRESSURE SWITCH		
0131G00013	PROGRAMMED MOTOR (M8, M9)		

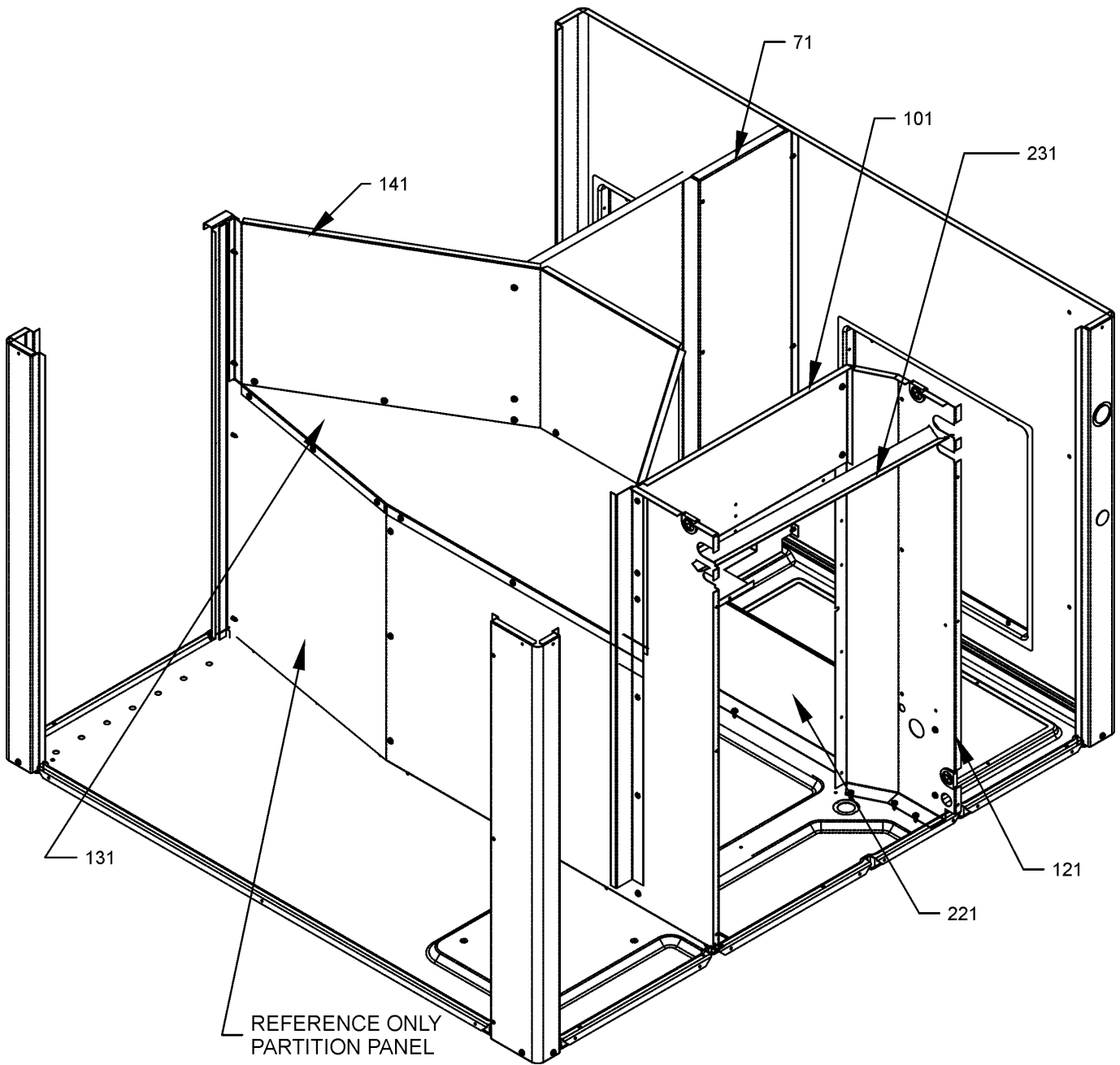
Top Panel / Fan / Cabinet



Top Panel / Fan / Cabinet

Ref. Part No: No:	Description:	Ref. Part No: No:	Description:
Image 1:		Image 1:	
11	B1086775 FAN BLADE (M3, M4)	261	0121G00454DG CORNER-POST HPIN END, PNT (M1, M2, M3, M4, M5, M6, M7, M8, M9)
11	B1086773 FAN BLADE 22" (M1, M2)	261	0121G00456DG CORNER-POST HPIN END, PNT (M10, M11, M12, M13, M14, M15)
11	0150G00002 FAN BLADE SWEPT-WING (M5, M6, M7)	NS	0121G00323 FLUE HOOD (QTY 2)
11	0150G00003 FAN BLADE SWEPT-WING (M8, M9, M10, M11, M12, M13, M14, M15)	NS	0270G00131 FLUE HOOD ASSY
21	0131M00061 COND MOTOR 1/4 HP, 1 SP, 8 PL (M5, M6, M7)	NS	0121G00190 FLUE HOOD-LOWER
21	0131M00429 COND MOTOR 1/4 HP, 1 SP, 6 PL (M3, M4, M8, M9, M10, M11, M12, M13, M14, M15)	NS	B1910012 GAS LINE GROMMET
21	0131M00009P COND MOTOR, 1/6 HP, 1 SP, 8 PL (M1, M2)	NS	17788000083F PVC CONDUIT 8.25"
31	0152G00003 FAN GRILLE	NS	20472601 SCREEN-FLUE HOOD
41	0121G00156PDG TOP PANEL	Expanded Model Nomenclature	
51	M0221817 SMALL SCREW (QTY 6)	<div style="border: 1px solid black; padding: 5px;"> M1 - APG1424040M41AA M2 - APG1424060M41AA M3 - APG1430040M41AA M4 - APG1430060M41AA M5 - APG1436040M41AA M6 - APG1436060M41AA M7 - APG1436080M41AA M8 - APG1442060M41AA M9 - APG1442080M41AA M10 - APG1448060M41AA M11 - APG1448080M41AA M12 - APG1448100M41AA M13 - APG1460080M41AA M14 - APG1460100M41AA M15 - APG1460120M41AA </div>	
61	0163M00006P ACORN NUT 5/16 HEX BLACK (QTY 4)		
71	20464801PDG BLOWER DOOR 32" (M1, M2, M3, M4, M5, M6, M7, M8, M9)		
71	20464806PDG BLOWER DOOR 40" (M10, M11, M12, M13, M14, M15)		
81	20464802PDG EVAP/CONTROL DOOR 32" (M1, M2, M3, M4, M5, M6, M7, M8, M9)		
81	20464807PDG EVAP/CONTROL DOOR-40 (M10, M11, M12, M13, M14, M15)		
91	0121G00526DG HEAT EXCHANGER DOOR 32" (M1, M2, M3, M4, M5, M6, M7, M8, M9)		
91	0121G00527DG HEAT EXCHANGER DOOR 40" (M10, M11, M12, M13, M14, M15)		
101	20464804PDG COMPRESSOR DOOR 32" (M1, M2, M3, M4, M5, M6, M7, M8, M9)		
101	20464809PDG COMPRESSOR DOOR 40" (M10, M11, M12, M13, M14, M15)		
111	0121G00465DG COND SIDE PANEL- 32 (M5, M6, M7)		
111	0121G00467DG COND SIDE PANEL-40 (M13, M14, M15)		
111	20467701PLG LOUVERED PANEL, COND SIDE 32" (M1, M2, M3, M4, M8, M9)		
111	20467702PLG LOUVERED PANEL, COND SIDE 40" (M10, M11, M12)		
121	20466101PDG UTILITY PANEL 32" (M1, M2, M3, M4, M5, M6, M7, M8, M9)		
121	20466102PDG UTILITY PANEL 40" (M10, M11, M12, M13, M14, M15)		
131	0121G00442DG PNL, DUCT, GAS 32.5" (M1, M2, M3, M4, M5, M6, M7, M8, M9)		
131	0121G00443DG PNL, DUCT, GAS 40" (M10, M11, M12, M13, M14, M15)		
141	0121G00460 POST-SUPPORT, SIDE (M1, M2, M3, M4, M5, M6, M7, M8, M9)		
141	0121G00462 POST-SUPPORT, SIDE (M10, M11, M12, M13, M14, M15)		
161	20464401PLG LOUVERED PANEL, COND SIDE 32" (M1, M2, M3, M4, M5, M6, M7, M8, M9)		
161	20464402PLG LOUVERED PANEL, COND SIDE 40" (M10, M11, M12, M13, M14, M15)		
181	0121G00290 BASE PAN RAIL (QTY 2)		
251	20464201PDG CORNER POST-COMP END 32" (M1, M2, M3, M4)		
251	20464202PDG CORNER POST-COMP END 40" (M10, M11, M12)		
251	0121G00453DG CORNER-POST COMP END, PNT (M5, M6, M7, M8, M9)		
251	0121G00455DG CORNER-POST COMP END, PNT (M13, M14, M15)		

Partition Assembly



Partition Assembly

Ref. Part No:	No:	Description:	Ref. Part No:	No:	Description:
Image 1:					
71	20465302	BLOWER DIVIDER (M10, M11, M12, M13, M14, M15)			
71	20465305	BLOWER DIVIDER (M1, M2, M3, M4)			
71	20465304	BLOWER DIVIDER 32" 10 X 9 (M5, M6, M7, M8, M9)			
101	20465201	FILLER PANEL, HEAT EXCHANGER 32" (M1, M2, M3, M4, M5, M6, M7, M8, M9)			
101	20465202	FILLER PANEL, HEAT EXCHANGER 40" (M10, M11, M12, M13, M14, M15)			
121	20465501	EVAP/HEAT EXCHANGER DIVIDER 32" (M1, M2, M3, M4, M5, M6, M7, M8, M9)			
121	20465502	EVAP/HEAT EXCHANGER DIVIDER 38" (M10, M11, M12, M13, M14, M15)			
131	20465701	FAN PARTITION SHELF			
141	20465801	FAN SURROUND 32" (M1, M2, M3, M4, M5, M6, M7, M8, M9)			
141	20465802	FAN SURROUND 40" (M10, M11, M12, M13, M14, M15)			
221	20463802	EVAP/BASEPAN BLOCK 32" (M1, M2, M3, M4, M5, M6, M7, M8, M9)			
221	20463801	EVAP/BASEPAN BLOCK 40" (M10, M11, M12, M13, M14, M15)			
231	0121G00555	DRAIN CHANNEL, SUCTION TUBE			

Expanded Model Nomenclature

- M1 - APG1424040M41AA
- M2 - APG1424060M41AA
- M3 - APG1430040M41AA
- M4 - APG1430060M41AA
- M5 - APG1436040M41AA
- M6 - APG1436060M41AA
- M7 - APG1436080M41AA
- M8 - APG1442060M41AA
- M9 - APG1442080M41AA
- M10 - APG1448060M41AA
- M11 - APG1448080M41AA
- M12 - APG1448100M41AA
- M13 - APG1460080M41AA
- M14 - APG1460100M41AA
- M15 - APG1460120M41AA

Basepan / Blower Assembly

Image 1

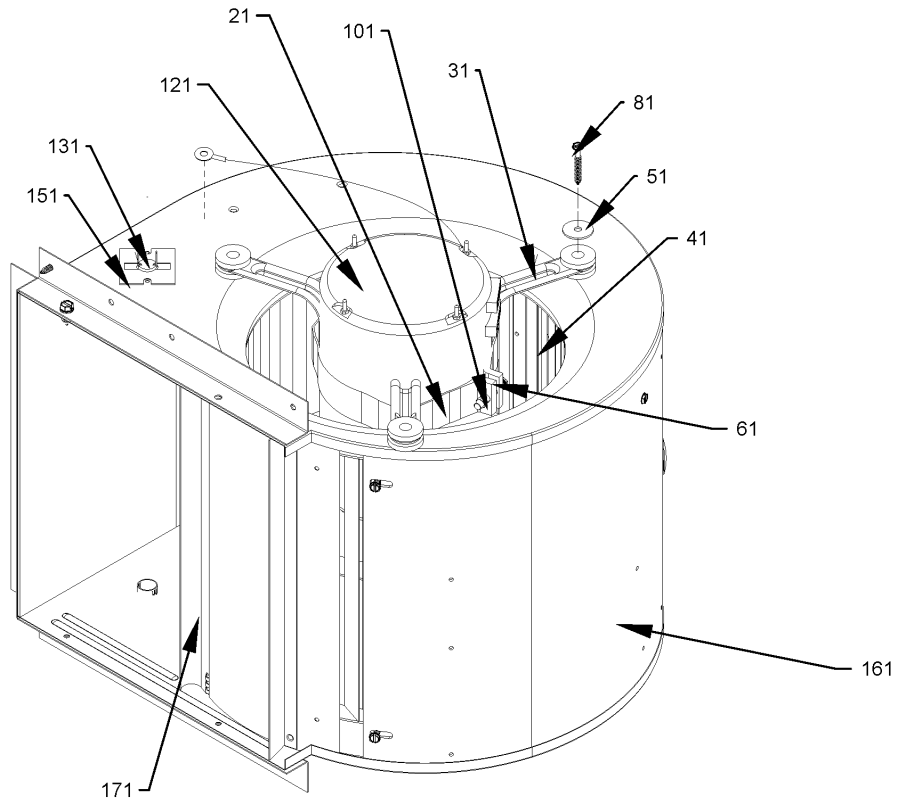
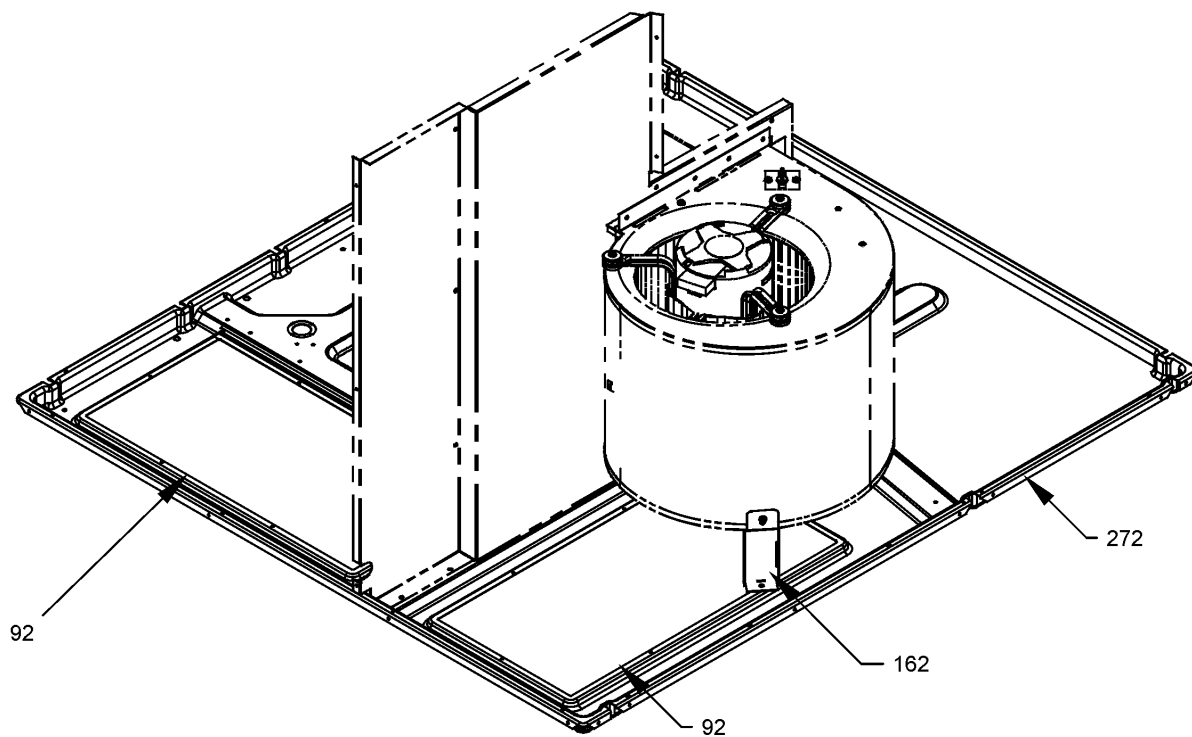


Image 2



Basepan / Blower Assembly

Ref. Part No: No:	Description:	Ref. Part No: No:	Description:
Image 1:			
21	0121M00038		MOTOR MOUNT BAND
31	B1376857		MOTOR MOUNT ARM (QTY 3)
41	D6723303		BLOWER WHEEL (M5, M6, M7, M8, M9)
41	B1368016		BLOWER WHEEL 10 X 8 (M1, M2, M3, M4)
41	B1368000		BLOWER WHEEL 11 X 10 (M10, M11, M12, M13, M14, M15)
51	B1392918		WASHER FLAT 1/4 ID X 1 OD (QTY 3)
61	B1393323		MACHINE SCREW HWH 1/4-20 X 1-1/2 BZ
81	M0250565		TC SCREW 1.25" (QTY 3)
101	B1393800		LOCKNUT, NYLON, INSERT 1/4, 20
121	0131G00010		PROGRAMMED MOTOR (M1, M2)
121	0131G00011		PROGRAMMED MOTOR (M3, M4)
121	0131G00012		PROGRAMMED MOTOR (M5, M6, M7)
121	0131G00013		PROGRAMMED MOTOR (M8, M9)
121	0131G00014		PROGRAMMED MOTOR (M10, M11, M12)
121	0131G00015		PROGRAMMED MOTOR (M13)
121	0131G00053		PROGRAMMED MOTOR (M14)
121	0131G00054		PROGRAMMED MOTOR (M15)
131	20269903		AUXILIARY LIMIT, AUTO RESET
151	2509503F		AUXILIARY LIMIT BRACKET
151	2509503F		AUXILIARY LIMIT BRACKET
161	0271G00025		BLOWER HOUSING ASSY 10 X 8 (M1, M2, M3, M4)
161	0271G00024		BLOWER HOUSING ASSY 10 X 9 (M5, M6, M7, M8, M9)
161	2539309		BLOWER HOUSING ASSY 11 X 10 (M10, M11, M12, M13, M14, M15)
171	764742		BLOWER BLOCK-OFF (M5, M6, M7, M8, M9)
171	764740		BLOWER BLOCK-OFF 10 X 8 (M1, M2, M3, M4)
171	1864703F		BLOWER CUT-OFF (M10, M11, M12, M13, M14, M15)

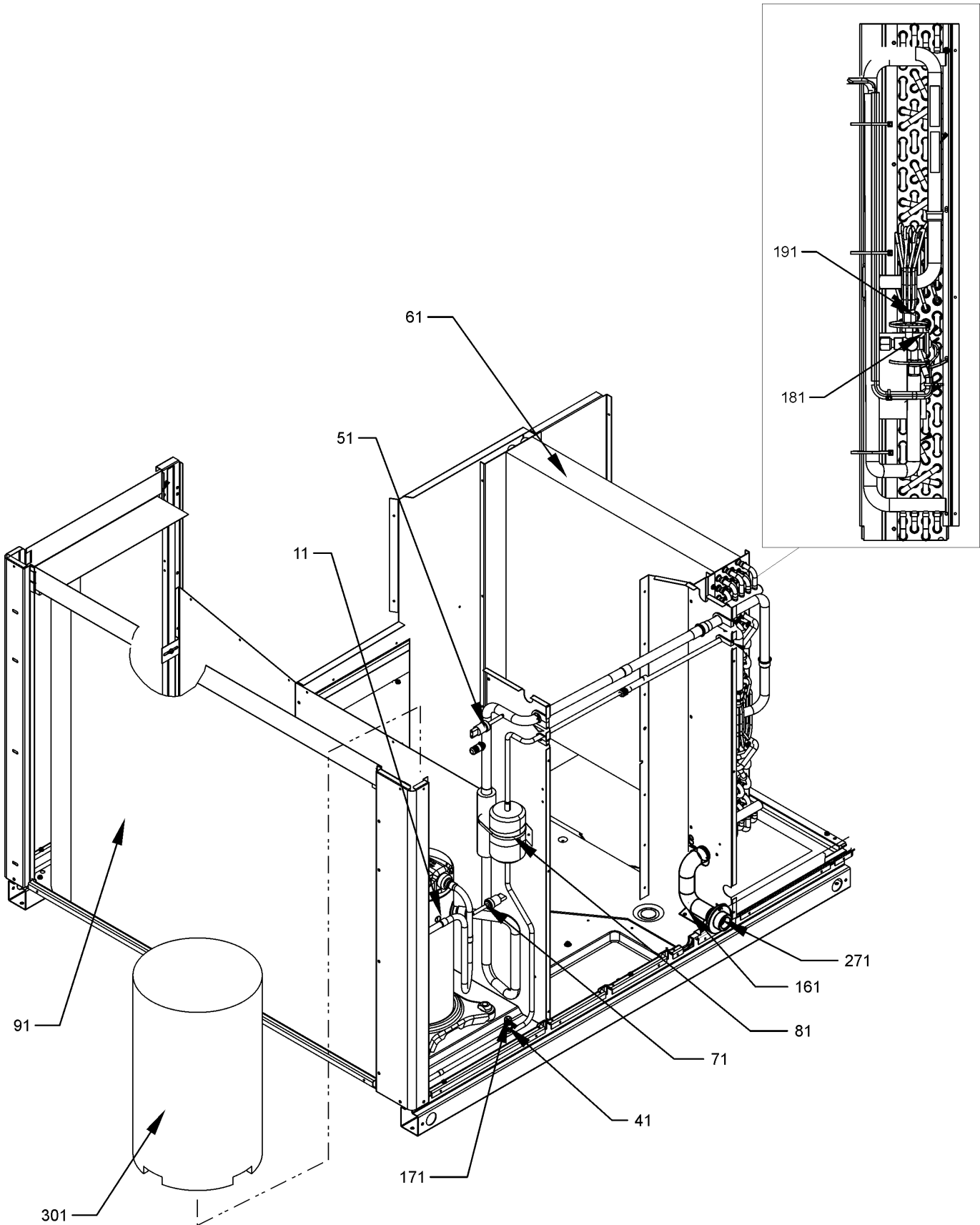
Image 2:

92	0121G00148		SINGLE COVER, DOWN DISCHARGE (QTY 2)
162	4322801		11 X 10 BLOWER SUPPORT LRG (M10, M11, M12, M13, M14, M15)
272	0121G00444		BASEPAN, PACKAGE

Expanded Model Nomenclature

M1 - APG1424040M41AA
M2 - APG1424060M41AA
M3 - APG1430040M41AA
M4 - APG1430060M41AA
M5 - APG1436040M41AA
M6 - APG1436060M41AA
M7 - APG1436080M41AA
M8 - APG1442060M41AA
M9 - APG1442080M41AA
M10 - APG1448060M41AA
M11 - APG1448080M41AA
M12 - APG1448100M41AA
M13 - APG1460080M41AA
M14 - APG1460100M41AA
M15 - APG1460120M41AA

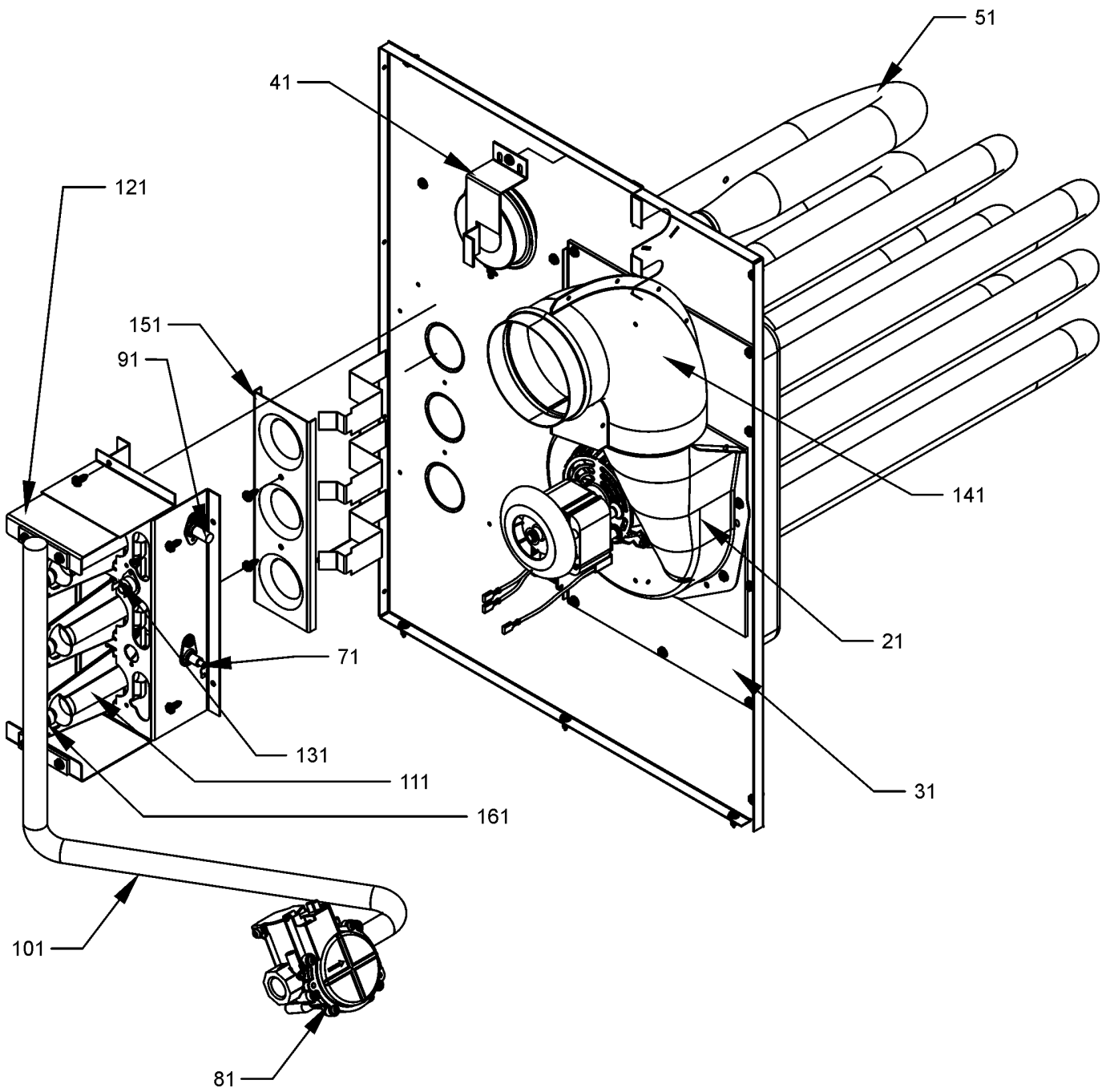
Compressor / Tubing Assembly



Compressor / Tubing Assembly

Ref. Part No: No:	Description:	Ref. Part No: No:	Description:
Image 1:		Image 1:	
11	ZPS51K5EPFV130	COMP, 51900/208/230/60/1 (M13, M14, M15)	NS M0221641 TF SHOULDER SCREW (QTY 4)
11	ZP29K5EPFV130	COMP,29000,208/230/60/1 (M5, M6, M7)	NS M0221641 TF SHOULDER SCREW (QTY 4)
11	ZP20K5EPFV130	COMPRESSOR 20000, 208/230/60/1 (M1, M2)	
11	ZP25K5EPFV130	COMPRESSOR 25200, 208/230/60/1 (M3, M4)	
11	ZP34K5EPFV130	COMPRESSOR 34500, 208/230/60/1 (M8, M9)	
11	ZP39K5EPFV130	COMPRESSOR 39000, 208/230/60/1 (M10, M11, M12)	
41	B1373315	ACCESS FITTING (QTY 2)	
51	0130M00087	CUT-OUT SWITCH, LOW PRESSURE (M13, M14, M15)	
61	0202G00532	EVAPORATOR COIL ASSY (M13, M14, M15)	
61	0202G00541	EVAPORATOR COIL ASSY (M1, M2)	
61	0202G00543	EVAPORATOR COIL ASSY (M3, M4)	
61	0202G00544	EVAPORATOR COIL ASSY (M5, M6, M7)	
61	0202G00545	EVAPORATOR COIL ASSY (M8, M9)	
61	0202G00546	EVAPORATOR COIL ASSY (M10, M11, M12)	
71	0130M00074	CUT-OUT SWITCH, HIGH PRESSURE	
81	0162R00009	FILTER DRIER (M13, M14, M15)	
81	B1219212	SINGLE-FLOW FILTER DRIER, STEEL (M1, M2, M3, M4, M5, M6, M7)	
81	B1219225	SINGLE-FLOW FILTER DRIER, STEEL (M8, M9, M10, M11, M12)	
91	0201G00139	COND COIL TUBING ASSY (M10, M11, M12)	
91	0201G00142	COND COIL TUBING ASSY (M1, M2, M3, M4)	
91	0201G00249	COND COIL TUBING ASSY (M5, M6, M7)	
91	0201G00252	COND COIL TUBING ASSY (M13, M14, M15)	
91	0201G00262	COND COIL TUBING ASSY (M8, M9)	
161	20498302	DRAIN TUBE 32" (M1, M2, M3, M4, M5, M6, M7, M8, M9)	
161	20498301	DRAIN TUBE 40" (M10, M11, M12, M13, M14, M15)	
171	0163M00175	CAP WITH O-RING (QTY 2)	
181	0151M00047	VALVE, NXT (M13, M14, M15)	
191	0162M00171	FLOWRATOR (M8, M9)	
191	0162M00176	FLOWRATOR (M3, M4)	
191	0162M00178	FLOWRATOR (M13, M14, M15)	
191	0162M00194	FLOWRATOR (M1, M2)	
191	0162M00195	FLOWRATOR (M5, M6, M7)	
191	0162M00284	FLOWRATOR (M10, M11, M12)	
271	20513001	EVAP DRAIN FITTING	
301	B1488806	COMPRESSOR SOUND BLANKET (M8, M9, M10, M11, M12, M13, M14, M15)	
301	B1488807	COMPRESSOR SOUND BLANKET (M1, M2, M3, M4, M5, M6, M7)	
NS	0259G00023	BLOWER HARNESS (M10, M11, M12)	
NS	0259G00209	BLOWER HARNESS (M1, M2, M3, M4, M5, M6, M7, M8, M9)	
NS	B1339533	COMPRESSOR GROMMET (QTY 4)	
NS	0159G00002	COMPRESSOR SCROLL HARNESS (M1, M2, M3, M4, M5, M6)	
NS	0159G00005	COMPRESSOR SCROLL HARNESS (M7, M13, M14, M15)	
NS	0159G00006	COMPRESSOR SCROLL HARNESS (M10, M11, M12)	
NS	0159G00009	COMPRESSOR SCROLL HARNESS (M7, M8, M9)	
NS	0159G00001	COMPRESSOR SOLENOID CABLE (M13, M14, M15)	
NS	20464901DF	DRAIN PAN-EVAP COIL	
NS	B1810011	HOSE CLAMP 1.25 (QTY 2)	
		Expanded Model Nomenclature	
		M1 - APG1424040M41AA	
		M2 - APG1424060M41AA	
		M3 - APG1430040M41AA	
		M4 - APG1430060M41AA	
		M5 - APG1436040M41AA	
		M6 - APG1436060M41AA	
		M7 - APG1436080M41AA	
		M8 - APG1442060M41AA	
		M9 - APG1442080M41AA	
		M10 - APG1448060M41AA	
		M11 - APG1448080M41AA	
		M12 - APG1448100M41AA	
		M13 - APG1460080M41AA	
		M14 - APG1460100M41AA	
		M15 - APG1460120M41AA	

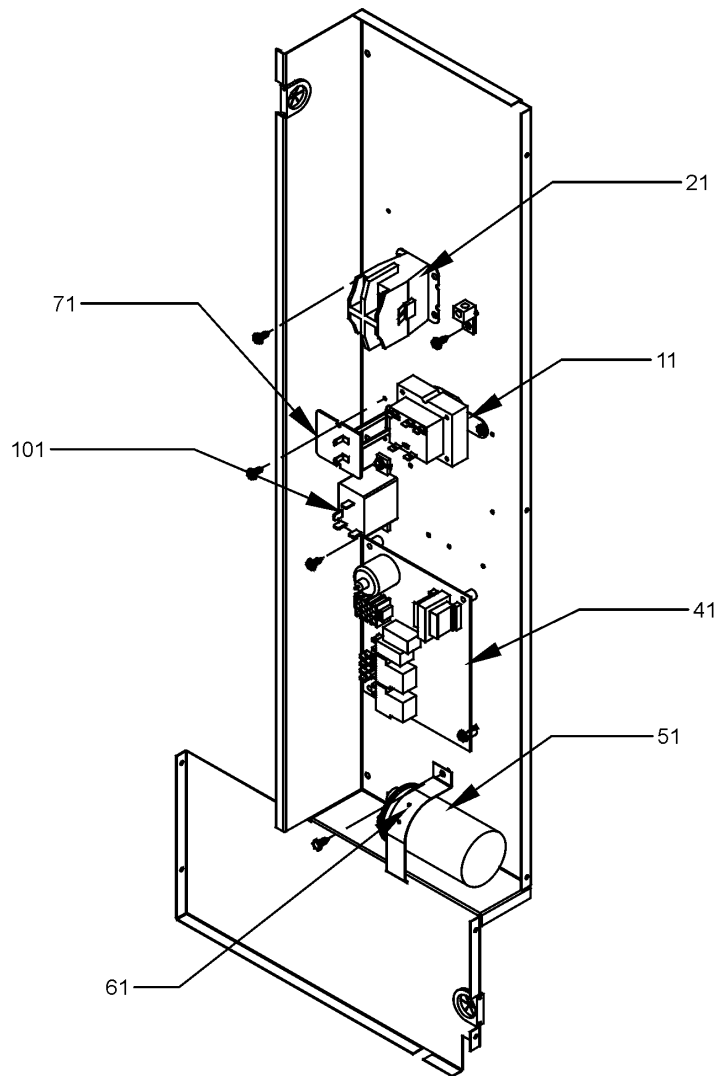
Heat Exchanger / Manifold / Gas Valve



Heat Exchanger / Manifold / Gas Valve

Ref. Part No:	Description:	Ref. Part No:	Description:
<i>Image 1:</i>		Expanded Model Nomenclature	
21	0131G00000P ID BLOWER (M1, M2, M3, M4, M5, M6, M7, M8, M9, M10, M11, M12)	M1 -	APG1424040M41AA
21	0131G00001 ID BLOWER (M13, M14, M15)	M2 -	APG1424060M41AA
31	0121G00583 PLATE-ID BLWR LRG BRNR (M10)	M3 -	APG1430040M41AA
31	0121G00584 PLATE-ID BLWR LRG BRNR (M11, M13)	M4 -	APG1430060M41AA
31	0121G00580 PLATE-ID BLWR LRG 4 BRNR (M7, M9)	M5 -	APG1436040M41AA
31	0121G00581 PLATE-ID BLWR LRG 5 BRNR (M12)	M6 -	APG1436060M41AA
31	0121G00582 PLATE-ID BLWR LRG 6 BRNR (M14)	M7 -	APG1436080M41AA
31	0121G00578 PLATE-ID BLWR SML 2 BRNR (M1, M3, M5)	M8 -	APG1442060M41AA
31	0121G00579 PLATE-ID BLWR SML 3 BRNR (M2, M4, M6, M8)	M9 -	APG1442080M41AA
41	11112501 PRESSURE SWITCH	M10 -	APG1448060M41AA
51	20490715 PART/TUBE ASSY (M1, M3, M5)	M11 -	APG1448080M41AA
51	20490717 PART/TUBE ASSY (M10)	M12 -	APG1448100M41AA
51	20490718 PART/TUBE ASSY (M15)	M13 -	APG1460080M41AA
51	20490710 PART/TUBE ASSY 3B (M2, M4, M6, M8)	M14 -	APG1460100M41AA
51	20490711 PART/TUBE ASSY 4B (M7, M9)	M15 -	APG1460120M41AA
51	20490712 PART/TUBE ASSY 4B (M11, M13)		
51	20490713 PART/TUBE ASSY 5B (M12, M14)		
71	0130F00014 IGNITOR		
81	0151F00000P GAS VALVE - WHITE-RODGERS 2-STAGE (M13, M14, M15)		
81	0151M00013 GAS VALVE (HW) SINGLE STAGE (M1, M2, M3, M4, M5, M6, M7, M8, M9, M10, M11, M12)		
91	0130F00010 FLAME SENSOR		
101	0121M00035P MANIFOLD - 2 BRNR (M1, M3, M5)		
101	0121M00036P MANIFOLD - 3 BRNR (M10)		
101	20493103 MANIFOLD - 3 BRNR (M2, M4, M6, M8)		
101	20493104 MANIFOLD - 4 BRNR (M7, M9)		
101	20493105 MANIFOLD - 4 BRNR (M11, M13)		
101	20493106 MANIFOLD - 5 BRNR (M12, M14)		
101	20493107 MANIFOLD - 6 BRNR (M15)		
111	0163F00017 BECKETT BURNER (QTY A/R)		
121	20190410 BURNER BRACKET 2B (M1, M3, M5)		
121	20190411 BURNER BRACKET 3B (M2, M4, M6, M8, M10)		
121	20190412 BURNER BRACKET 4B (M7, M9, M11, M13)		
121	20190413 BURNER BRACKET 5B (M12, M14)		
121	0121F00145 BURNER BRACKET 6B (M15)		
131	10123532 MANUAL RESET LIMIT 350°F (M1, M2, M3, M4, M5, M6, M7, M8, M9, M10, M11, M12)		
131	10123529 MANUAL RESET LIMIT-GREEN (M13, M14, M15)		
141	20484401 FLUE ELBOW LEFT		
141	20484402 FLUE ELBOW RIGHT		
151	11072201 ORIFICE SHIELD (M1, M3, M5)		
151	11072202 ORIFICE SHIELD (M2, M4, M6, M8, M10)		
151	11072203 ORIFICE SHIELD (M7, M9, M11, M13)		
151	11072204 ORIFICE SHIELD (M12, M14)		
151	11072205 ORIFICE SHIELD (M15)		
161	0163F00004 ORIFICE (QTY A/R)		
NS	20463001 ID BLOWER PLATE GASKET LRG (M10, M11, M12, M13, M14, M15)		
NS	20462801 ID BLOWER PLATE GASKET SML (M1, M2, M3, M4, M5, M6, M7, M8, M9)		

Control Panel



Control Panel

Ref. Part No: No:	Description:	Ref. Part No: No:	Description:
Image 1:			
11	0130M00138		TRANSFORMER 208/230, 24V
21	CONT1P025024V		CONTACTOR 25 AMP, 1P, 24V (M1, M2, M3, M4, M5, M6, M7)
21	CONT1P030024V		CONTACTOR 30 AMP, 1P, 24V (M8, M9, M10, M11, M12)
21	CONT2P040024V		CONTACTOR 40 AMP, 2P, 24V (M13, M14, M15)
41	PCBAG123		IGNITION BOARD, DSI INTEGRATED (M1, M2, M3, M4, M5, M6, M7, M8, M9, M10, M11, M12)
41	PCBAG127		IGNITION BOARD, DSI, 2 STG (M13, M14, M15)
51	CAP050350440R		CAPACITOR 5/35/440V (M1, M2)
51	CAP050400440CT		CAPACITOR 5/40/440V/DUAL RD (M3, M4, M13, M14, M15)
51	CAP050450440CT		CAPACITOR 5/45/440V/DUAL RD (M5, M6, M7, M8, M9, M10, M11, M12)
61	20520901		CAPACITOR STRAP
71	10728342		LIMIT SWITCH (M1, M2, M3, M4, M5, M6, M7, M8, M9)
71	10728343		LIMIT SWITCH (M13, M14, M15)
71	10728344		LIMIT SWITCH (M10, M11, M12)
101	B1370751		24V RELAY (M1, M2, M3, M4, M5, M6, M7, M8, M9, M10, M11, M12)
NS	0259G00143		ECONOMIZER HARNESS (M10, M11, M12)
NS	0259G00083		HARNESS-CONTROL, FAN (M10, M11, M12)
NS	0259G00117		HARNESS-CONTROL, FAN (M13, M14, M15)
NS	0259G00207		HARNESS-CONTROL, FAN (M1, M2, M3, M4, M5, M6, M7, M8, M9)
NS	0259G00113		PLUG ASSY, 12 PIN MALE (M10, M11, M12)
NS	0259G00192		WIRE HARNESS - 6 CIRCUIT (M13, M14, M15)
NS	0259G00044		WIRE HARNESS, 9 CIRCUIT (M13, M14, M15)
NS	0259G00031		WIRE HARNESS, ECONOMIZER (M13, M14, M15)

Expanded Model Nomenclature

M1 - APG1424040M41AA
M2 - APG1424060M41AA
M3 - APG1430040M41AA
M4 - APG1430060M41AA
M5 - APG1436040M41AA
M6 - APG1436060M41AA
M7 - APG1436080M41AA
M8 - APG1442060M41AA
M9 - APG1442080M41AA
M10 - APG1448060M41AA
M11 - APG1448080M41AA
M12 - APG1448100M41AA
M13 - APG1460080M41AA
M14 - APG1460100M41AA
M15 - APG1460120M41AA