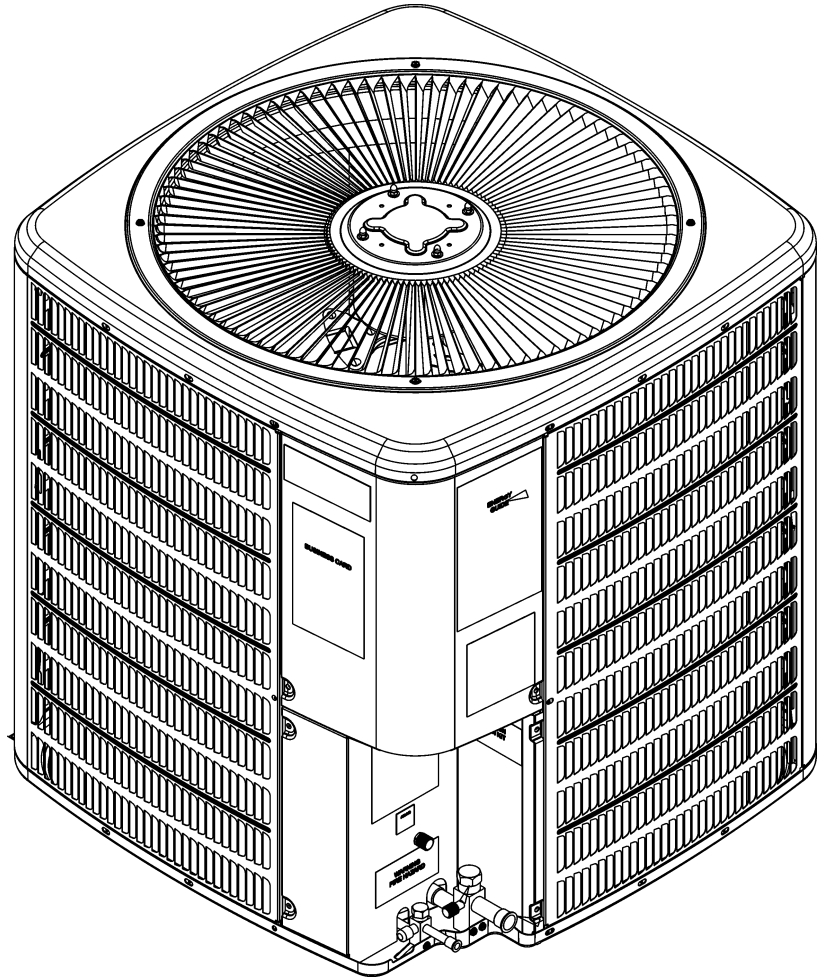


ANZ14 Remote Heat Pump

ANZ140181AA
ANZ140181AB
ANZ140181AC
ANZ140181AD
ANZ140241AA
ANZ140241AD
ANZ140301AA
ANZ140301AB
ANZ140301AC
ANZ140301AD
ANZ140361AA
ANZ140361AB
ANZ140361AC
ANZ140421AA
ANZ140421AB
ANZ140421AC
ANZ140481AA
ANZ140481AB
ANZ140491AA
ANZ140491AB
ANZ140491AC
ANZ140601AA
ANZ140601AB



Amana® is a registered trademark of Maytag Corporation or its related companies and is used under license. All rights reserved.

This manual is to be used by qualified technicians only.

This manual replaces RP-A4002F.

© 2015 - 2016 Goodman Manufacturing Company, L.P. ♦ 5151 San Felipe St, Suite 500 ♦ Houston, TX 77056

Important Information

Index

Functional Parts List	3
Illustration and Parts	4 - 9

Views shown are for parts illustrations only, not servicing procedures

Text Codes:

AR - As Required

NA - Not Available

NS - Not Shown

00000000 - See Note

QTY - Quantity Example (QTY 3) (If Quantity not shown, Quantity = 1)

M - Model Example (M1) (If M Code not shown, then part is used on all Models)

Expanded Model Nomenclature:

Example M1 - Model#1 M2 - Model#2 M3 - Model#3

Goodman Manufacturing Company, L.P. is not responsible for personal injury or property damage resulting from improper service. Review all service information before beginning repairs.

Warranty service must be performed by an authorized technician, using authorized factory parts. If service is required after the warranty expires, Goodman Manufacturing Company, L.P. also recommends contacting an authorized technician and using authorized factory parts.

Goodman Manufacturing Company, L.P. reserves the right to discontinue, or change at any time, specifications or designs without notice or without incurring obligations.

For assistance within the U.S.A. contact:
Homeowner Support
Goodman Manufacturing Company, L.P.
19001 Kermier Road
Waller, Texas 77484
877-254-4729-Telephone
713-863-2382-Facsimile

For assistance outside the U.S.A. contact:
International Division
Goodman Manufacturing Company, L.P.
19001 Kermier Road
Waller, Texas 77484
713-861-2500-Telephone
713-863-2382-Facsimile

Functional Parts

Part No: **Description:**

0151R00079	BASE VALVE 3/4" (M1, M2, M3, M4, M5, M6, M7, M8, M9, M10, M11, M12, M13)
0151R00078	BASE VALVE 3/8"
0151R00080	BASE VALVE 7/8" (M14, M15, M16, M17, M18, M19, M20, M21, M22, M23)
CAP050300440CS	CAP, 5/30MFD/440V/DUAL RD (M1, M2, M3, M4)
CAP050350440CS	CAPACITOR 5/35/440V (M5, M6, M7, M8, M9, M10)
CAP050450440CT	CAPACITOR 5/45/440V/DUAL RD (M11, M12, M13, M14, M15, M16, M17, M18, M19, M20, M21)
CAP050700440CT	CAPACITOR 5/70/440V/DUAL RD (M22, M23)
ZP14K6EPFV130	COMP, 14,000,208/230/60/1 (M1, M2, M3, M4)
ZP20K6EPFV130	COMP, 20,000,208/230/60/1 (M5, M6)
ZP34K6EPFV130	COMP, 46500, 208/230/60/1 (M14, M15, M16)
ZP40K6EPFV130	COMP, 53700, 208/230/60/1 (M17, M18)
ZP25K6EPFV130	COMP, 34200, 208/230/60/1 (M7, M8, M9, M10)
ZP31K6EPFV130	COMP, 42500, 208/230/60/1 (M11, M12, M13)
ZP39K5EPFV130	COMPRESSOR 39000, 208/230/60/1 (M19, M20, M21)
ZP51K5EPFV130	COMPRESSOR 51000, 208/230/60/1 (M22, M23)
0131M00061	COND MOTOR 1/4 HP, 1 SP, 8 PL (M14, M17, M18, M19, M22, M23)
0131M00060	COND MOTOR 1/6 HP, 1 SP, 8 PL (M1, M2, M5, M7, M8, M11)
0131M00753	COND MOTOR, 1/6HP, 1SP, 8PL, AL (M3, M4, M6, M9, M10, M12, M13)
0131M00754	COND MOTOR, PSC, 1/6HP, 8PL (M15, M16, M20, M21)
CONT1P025024V	CONTACTOR 25 AMP, 1P, 24V (M1, M2, M3, M4, M5, M6, M7, M8, M9, M10, M11, M12, M13, M14, M15, M16)
CONT1P030024V	CONTACTOR 30 AMP, 1P, 24V (M17, M18, M19, M20, M21, M22, M23)
0130M00250	CONTROL, DEFROST
0130M00089	CUT-OUT SWITCH, HIGH PRESSURE
0130M00088	CUT-OUT SWITCH, LOW PRESSURE
PCBDM133	DEFROST CONTROL BOARD (M1, M2, M3, M4, M5, M6, M7, M9, M10, M11, M12, M13, M14, M15, M16, M17, M18, M19, M20, M21, M22, M23)
PCBDM160	DEFROST CONTROL BOARD (M8)
0130M00106	DISC THERMOSTAT CRNKCS HTR SW
10625738	FAN BLADE 26" ALUM CCW (M14, M15, M16, M19, M20, M21, M22, M23)
B1086764	FAN BLADE TYPE 2 (M1, M2, M3, M4, M5, M6, M7, M8, M9, M10, M11, M12, M13)
B1086765	FAN BLADE TYPE 3 (M17, M18)
0163R00006	HEATER, CRANKCASE 230V, 40W (M1, M2, M3, M4, M5, M6, M7, M8, M9, M10, M11, M12, M13)
0163R00007	HEATER, CRANKCASE 230V, 40W (M14, M15, M16, M17, M18, M19, M20, M21, M22, M23)
0151R00071	REVERSING VALVE (M14, M15, M16, M17, M18, M19, M20, M21, M22, M23)
0151R00068	REVERSING VALVE (M1, M2, M3, M4, M5, M6)
0151R00069	REVERSING VALVE (M7, M8, M9, M10, M11, M12, M13)
B1225022	SOLENOID COIL

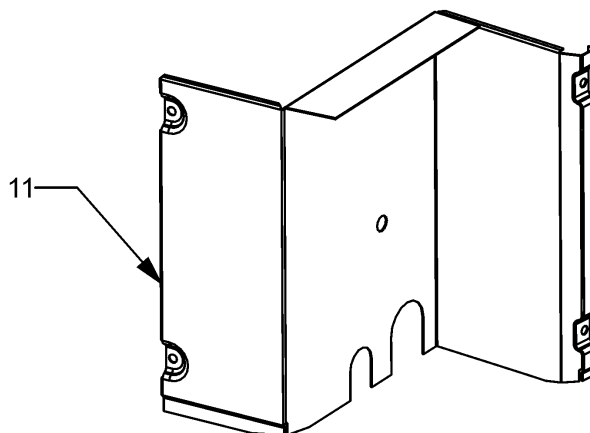
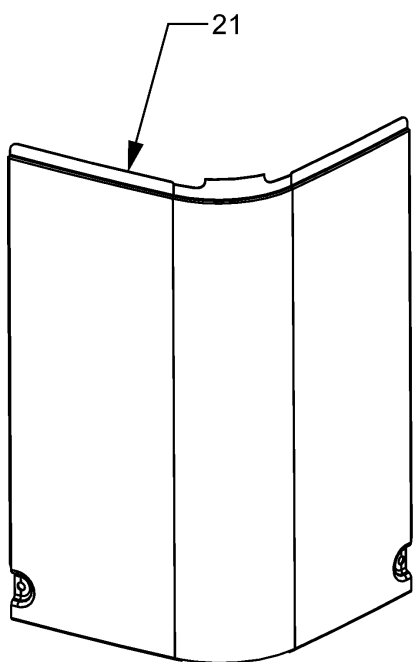
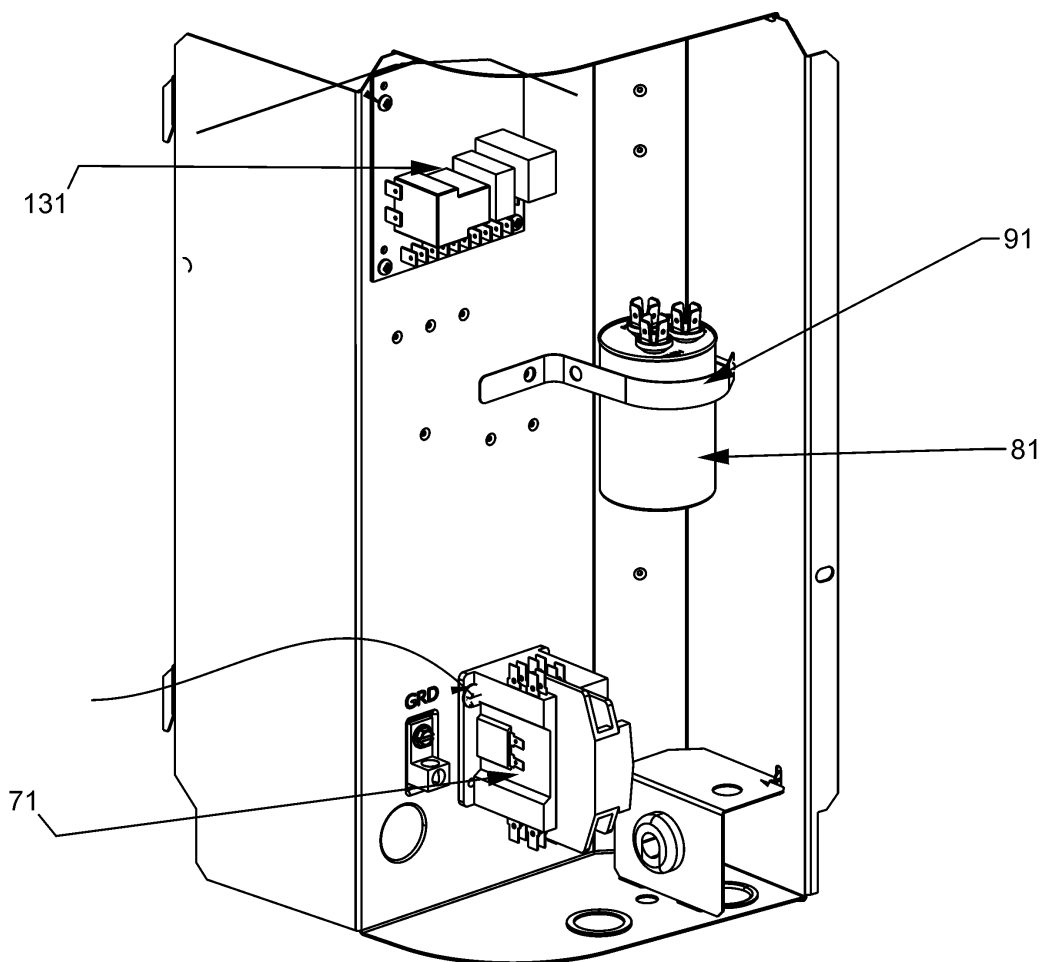
SPECIAL PARTS

0161R00010P AMANA NAMEPLATE

Expanded Model Nomenclature

M1 - ANZ140181AA
M2 - ANZ140181AB
M3 - ANZ140181AC
M4 - ANZ140181AD
M5 - ANZ140241AA
M6 - ANZ140241AD
M7 - ANZ140301AA
M8 - ANZ140301AB
M9 - ANZ140301AC
M10 - ANZ140301AD
M11 - ANZ140361AA
M12 - ANZ140361AB
M13 - ANZ140361AC
M14 - ANZ140421AA
M15 - ANZ140421AB
M16 - ANZ140421AC
M17 - ANZ140481AA
M18 - ANZ140481AB
M19 - ANZ140491AA
M20 - ANZ140491AB
M21 - ANZ140491AC
M22 - ANZ140601AA
M23 - ANZ140601AB

Control Box Assy



Control Box Assy

Ref. Part No: No:	Description:	Ref. Part No: No:	Description:
Image 1:			
11	0121R00154PDG		PANEL, LOWER ACCESS PNT (M7, M8, M9, M10, M11, M12, M13, M17, M18)
11	0121R00328PDG		PANEL, LOWER ACCESS PNT (M14, M15, M16)
11	0121R00625PDG		PANEL, LOWER ACCESS PNT (M1, M2, M3, M4, M5, M6, M19, M20, M21, M22, M23)
21	0121R00053PDG		CONTROL COVER
71	CONT1P025024V		CONTACTOR 25 AMP, 1P, 24V (M1, M2, M3, M4, M5, M6, M7, M8, M9, M10, M11, M12, M13, M14, M15, M16)
71	CONT1P030024V		CONTACTOR 30 AMP, 1P, 24V (M17, M18, M19, M20, M21, M22, M23)
81	CAP050300440CS		CAP,5/30MFD/440V/DUAL RD (M1, M2, M3, M4)
81	CAP050350440CS		CAPACITOR 5/35/440V (M5, M6, M7, M8, M9, M10)
81	CAP050450440CT		CAPACITOR 5/45/440V/DUAL RD (M11, M12, M13, M14, M15, M16, M17, M18, M19, M20, M21)
81	CAP050700440CT		CAPACITOR 5/70/440V/DUAL RD (M22, M23)
91	4400065		CAPACITOR STRAP
131	PCBDM133		DEFROST CONTROL BOARD (M1, M2, M3, M4, M5, M6, M7, M9, M10, M11, M12, M13, M14, M15, M16, M17, M18, M19, M20, M21, M22, M23)
131	PCBDM160		DEFROST CONTROL BOARD (M8)
NS	0161R00010P		AMANA NAMEPLATE

Expanded Model Nomenclature

- M1 - ANZ140181AA
- M2 - ANZ140181AB
- M3 - ANZ140181AC
- M4 - ANZ140181AD
- M5 - ANZ140241AA
- M6 - ANZ140241AD
- M7 - ANZ140301AA
- M8 - ANZ140301AB
- M9 - ANZ140301AC
- M10 - ANZ140301AD
- M11 - ANZ140361AA
- M12 - ANZ140361AB
- M13 - ANZ140361AC
- M14 - ANZ140421AA
- M15 - ANZ140421AB
- M16 - ANZ140421AC
- M17 - ANZ140481AA
- M18 - ANZ140481AB
- M19 - ANZ140491AA
- M20 - ANZ140491AB
- M21 - ANZ140491AC
- M22 - ANZ140601AA
- M23 - ANZ140601AB

Compressor / Tubing Assembly / Condenser

IMAGE 1

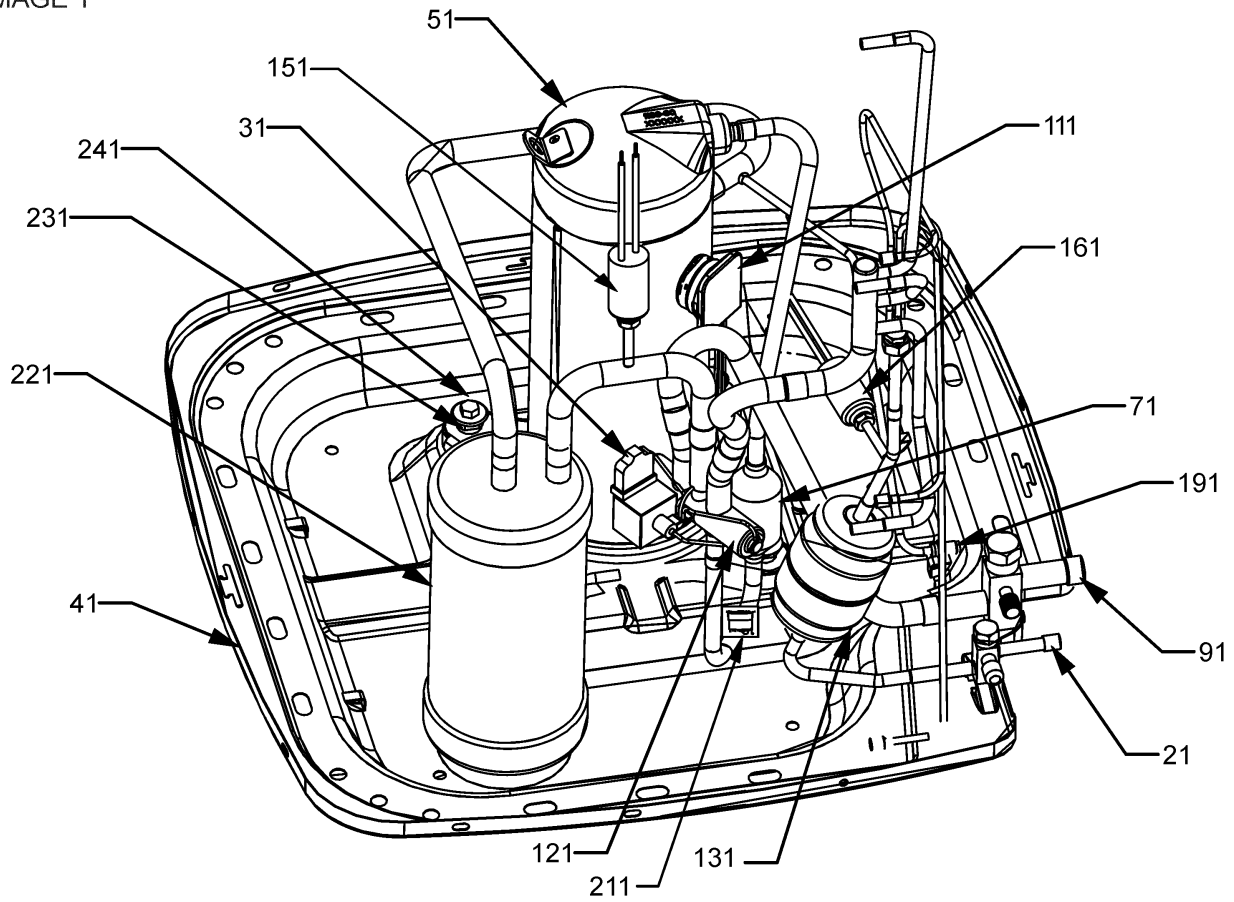
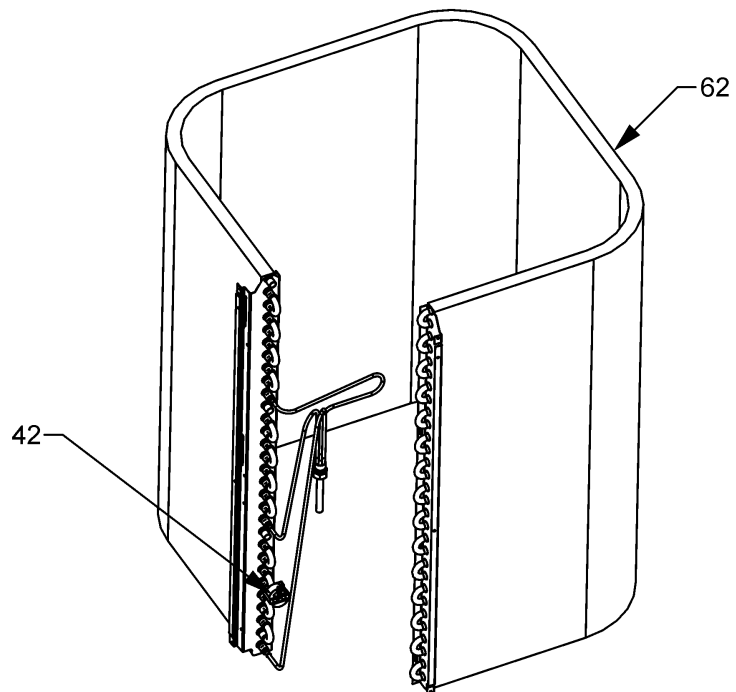


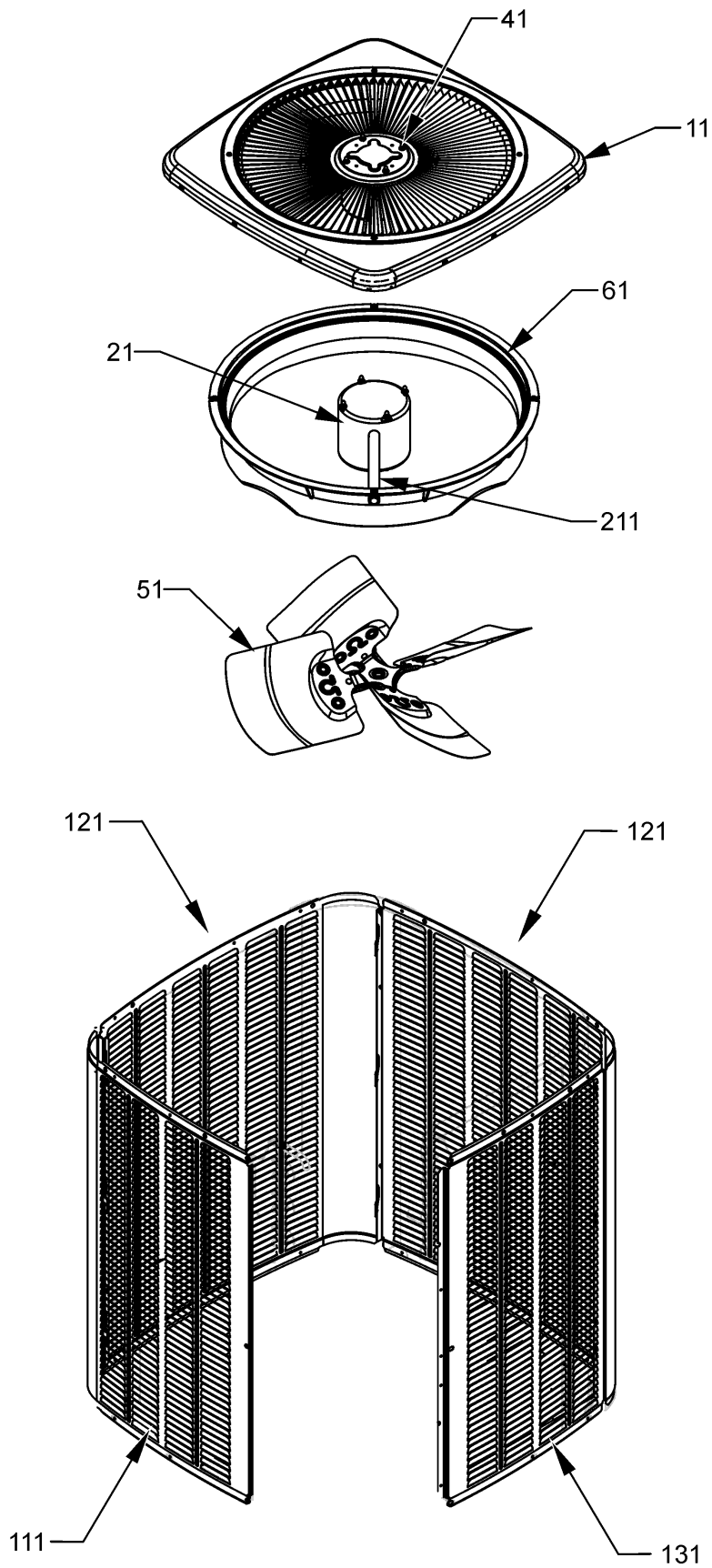
IMAGE 2



Compressor / Tubing Assembly / Condenser

Ref. Part No: No:	Description:	Ref. Part No: No:	Description:
Image 1:		Image 2:	
21	0151R00078 BASE VALVE 3/8"	NS B1789872	FLOW CHECK PISTON KIT (M11, M12, M13)
31	0130M00083 SOLENOIDHARNESS W/1/4"TERMINAL	NS B1789851	FLOW CHECK PISTON KIT .051 (M2, M3, M4)
41	0121R00006PDG BASE PAN 29" (M1, M2, M3, M4, M5, M6, M7, M8, M9, M10, M11, M12, M13, M17, M18)	NS B1789857	FLOW CHECK PISTON KIT .057 (M5, M6)
41	0121R00007PDG BASE PAN 35" (M14, M15, M16, M19, M20, M21, M22, M23)	NS B1789865	FLOW CHECK PISTON KIT .065 (M7, M9, M10)
51	ZP14K6EPFV130 COMP, 14,000,208/230/60/1 (M1, M2, M3, M4)	NS B1789878	FLOW CHECK PISTON KIT .078 (M15, M16)
51	ZP20K6EPFV130 COMP, 20,000,208/230/60/1 (M5, M6)	NS B1789880	FLOW CHECK PISTON KIT .080 (M17, M18, M20, M21)
51	ZP34K6EPFV130 COMP, 46500, 208/230/60/1 (M14, M15, M16)	NS B1789888	FLOW CHECK PISTON KIT .088 (M22, M23)
51	ZP40K6EPFV130 COMP, 53700, 208/230/60/1 (M17, M18)	Expanded Model Nomenclature	
51	ZP25K6EPFV130 COMP,34200,208/230/60/1 (M7, M8, M9, M10)	M1 - ANZ140181AA	
51	ZP31K6EPFV130 COMP,42500,208/230/60/1 (M11, M12, M13)	M2 - ANZ140181AB	
51	ZP39K5EPFV130 COMPRESSOR 39000, 208/230/60/1 (M19, M20, M21)	M3 - ANZ140181AC	
51	ZP51K5EPFV130 COMPRESSOR 51000, 208/230/60/1 (M22, M23)	M4 - ANZ140181AD	
71	0162R00007 MUFFLER 1/2 X 1/2	M5 - ANZ140241AA	
91	0151R00079 BASE VALVE 3/4" (M1, M2, M3, M4, M5, M6, M7, M8, M9, M10, M11, M12, M13)	M6 - ANZ140241AD	
91	0151R00080 BASE VALVE 7/8" (M14, M15, M16, M17, M18, M19, M20, M21, M22, M23)	M7 - ANZ140301AA	
111	0159R00001P COMPRESSOR SCROLL HARNESS (M1, M2, M3, M4, M5, M6, M7, M8, M9, M10, M11, M12, M13, M17, M18)	M8 - ANZ140301AB	
111	0159R00002P COMPRESSOR SCROLL HARNESS (M14, M15, M16, M19, M20, M21, M22, M23)	M9 - ANZ140301AC	
121	0151R00068 REVERSING VALVE (M1, M2, M3, M4, M5, M6)	M10 - ANZ140301AD	
121	0151R00069 REVERSING VALVE (M7, M8, M9, M10, M11, M12, M13)	M11 - ANZ140361AA	
121	0151R00071 REVERSING VALVE (M14, M15, M16, M17, M18, M19, M20, M21, M22, M23)	M12 - ANZ140361AB	
131	20485201 BI-FLOW FILTER DRIER	M13 - ANZ140361AC	
151	0130M00088 CUT-OUT SWITCH, LOW PRESSURE	M14 - ANZ140421AA	
161	0130M00089 CUT-OUT SWITCH, HIGH PRESSURE	M15 - ANZ140421AB	
191	B1787000 VALVE CORE	M16 - ANZ140421AC	
211	0130M00106 DISC THERMOSTAT CRNKCS HTR SW	M17 - ANZ140481AA	
221	0151L00008 ACCUMULATOR (M11, M12, M13)	M18 - ANZ140481AB	
221	0151R00004P ACCUMULATOR .750 (M1, M2, M3, M4, M5, M6, M7, M8, M9, M10)	M19 - ANZ140491AA	
221	B1226207 ACCUMULATOR .875 (M14, M15, M16, M17, M18, M19, M20, M21, M22, M23)	M20 - ANZ140491AB	
231	B1339533 COMPRESSOR GROMMET (QTY 4)	M21 - ANZ140491AC	
241	M0221641 TF SHOULDER SCREW (QTY 4)	M22 - ANZ140601AA	
NS	0163M00175 CAP WITH O-RING	M23 - ANZ140601AB	
NS	0163R00006 HEATER, CRANKCASE 230V, 40W (M1, M2, M3, M4, M5, M6, M7, M8, M9, M10, M11, M12, M13)		
NS	0163R00007 HEATER, CRANKCASE 230V, 40W (M14, M15, M16, M17, M18, M19, M20, M21, M22, M23)		
NS	0130M00083 REVERSING VALVE HARNESS		
NS	B1225022 SOLENOID COIL		
Image 2:			
42	0130M00250 CONTROL, DEFROST		
62	0201R00515 COIL TUBING ASSY (M14, M15, M16)		
62	0201R00567 COIL TUBING ASSY (M19, M20, M21, M22, M23)		
62	0201R00581 COIL TUBING ASSY (M17, M18)		
62	0201R00668 COIL TUBING ASSY (M1, M2, M3, M4)		
62	0201R00669 COIL TUBING ASSY (M5, M6)		
62	0201R00670 COIL TUBING ASSY (M7, M8, M9, M10)		
62	0201R00671 COIL TUBING ASSY (M11, M12, M13)		

Cabinet Top & Side Assy



Cabinet Top & Side Assy

Ref. Part No:	Description:	Ref. Part No:	Description:
Image 1:		Expanded Model Nomenclature	
11	0121R00010PDG TOP PANEL 29" (M1, M2, M3, M4, M5, M6, M7, M8, M9, M10, M11, M12, M13, M17, M18)	M1 - ANZ140181AA	
11	0121R00269PDG Top Panel, 35" Pnt (M14, M15, M16, M19, M20, M21, M22, M23)	M2 - ANZ140181AB	
21	0131M00061 COND MOTOR 1/4 HP, 1 SP, 8 PL (M14, M17, M18, M19, M22, M23)	M3 - ANZ140181AC	
21	0131M00060 COND MOTOR 1/6 HP, 1 SP, 8 PL (M1, M2, M5, M7, M8, M11)	M4 - ANZ140181AD	
21	0131M00753 COND MOTOR, 1/6HP, 1SP, 8PL, AL (M3, M4, M6, M9, M10, M12, M13)	M5 - ANZ140241AA	
21	0131M00754 COND MOTOR, PSC, 1/6HP, 8PL (M15, M16, M20, M21)	M6 - ANZ140241AD	
41	0163M00006P ACORN NUT 5/16 HEX BLACK (QTY 4)	M7 - ANZ140301AA	
51	10625738 FAN BLADE 26" ALUM CCW (M14, M15, M16, M19, M20, M21, M22, M23)	M8 - ANZ140301AB	
51	B1086764 FAN BLADE TYPE 2 (M1, M2, M3, M4, M5, M6, M7, M8, M9, M10, M11, M12, M13)	M9 - ANZ140301AC	
51	B1086765 FAN BLADE TYPE 3 (M17, M18)	M10 - ANZ140301AD	
61	0161R00048 MOLDED RING-VENTURI 22 (M1, M2, M3, M4, M5, M6, M7, M8, M9, M10, M11, M12, M13, M17, M18)	M11 - ANZ140361AA	
61	0161R00049 MOLDED RING-VENTURI 26" (M14, M15, M16, M19, M20, M21, M22, M23)	M12 - ANZ140361AB	
111	0121R00580PLGB LOUVERED SIDE PANEL [LT OF CNTL PNL] (M1, M2, M3, M4, M5, M6)	M13 - ANZ140361AC	
111	0121R00589PLGB LOUVERED SIDE PANEL [LT OF CNTL PNL] (M7, M8, M9, M10, M11, M12, M13, M17, M18)	M14 - ANZ140421AA	
111	0121R00598PLGB LOUVERED SIDE PANEL [LT OF CNTL PNL] (M19, M20, M21, M22, M23)	M15 - ANZ140421AB	
111	0121R00601PLGB LOUVERED SIDE PANEL [LT OF CNTL PNL] (M14, M15, M16)	M16 - ANZ140421AC	
121	0121R00514PLGB LOUVERED SIDE PANEL (M14, M15, M16)	M17 - ANZ140481AA	
121	0121R00581PLGB LOUVERED SIDE PANEL (M1, M2, M3, M4, M5, M6)	M18 - ANZ140481AB	
121	0121R00590PLGB LOUVERED SIDE PANEL (M7, M8, M9, M10, M11, M12, M13, M17, M18)	M19 - ANZ140491AA	
121	0121R00599PLGB LOUVERED SIDE PANEL (M19, M20, M21, M22, M23)	M20 - ANZ140491AB	
131	0121R00582PLG LOUVERED SIDE PANEL [RT OF CNTL PNL] (M1, M2, M3, M4, M5, M6)	M21 - ANZ140491AC	
131	0121R00591PLG LOUVERED SIDE PANEL [RT OF CNTL PNL] (M7, M8, M9, M10, M11, M12, M13, M17, M18)	M22 - ANZ140601AA	
131	0121R00600PLG LOUVERED SIDE PANEL [RT OF CNTL PNL] (M19, M20, M21, M22, M23)	M23 - ANZ140601AB	
131	0121R00603PLG LOUVERED SIDE PANEL [RT OF CNTL PNL] (M14, M15, M16)		
211	0161R00002P CONDUIT (M1, M2, M3, M4, M5, M6, M7, M8, M9, M10, M11, M12, M13, M17, M18)		
211	0161R00004P CONDUIT (M14, M15, M16, M19, M20, M21, M22, M23)		