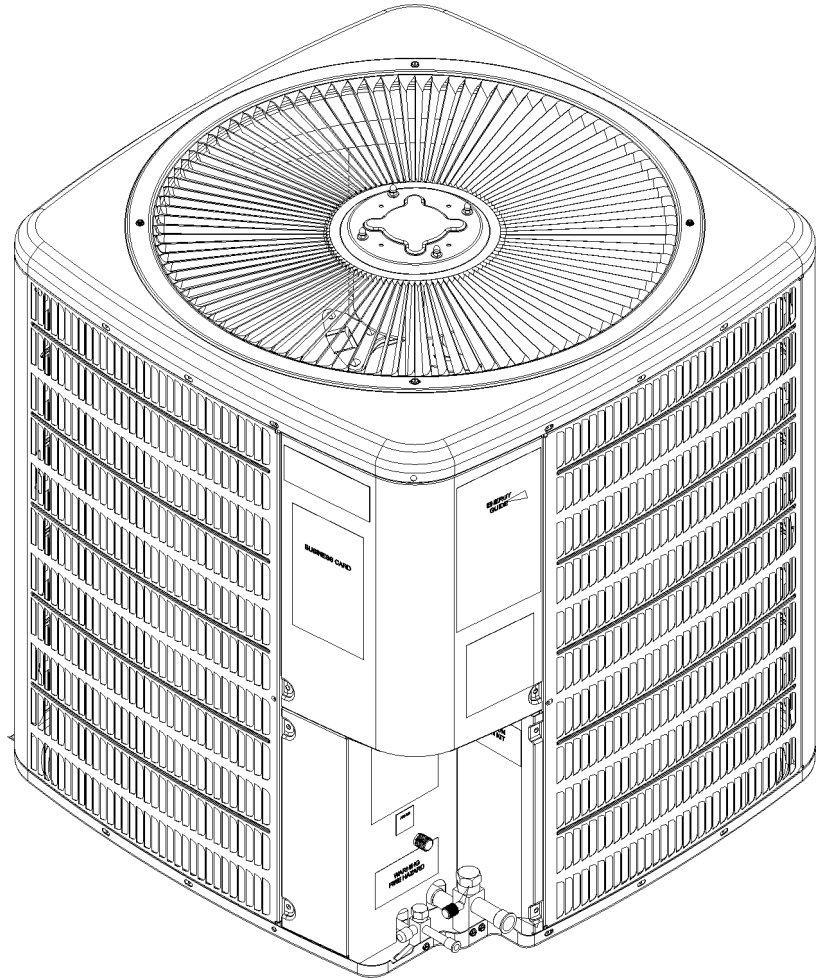


ANZ13 Remote Heat Pump

ANZ130181AA
ANZ130181AB
ANZ130241AA
ANZ130241AB
ANZ130301AA
ANZ130301AB
ANZ130361AA
ANZ130361AB
ANZ130421AA
ANZ130421AB
ANZ130481AA
ANZ130481AB
ANZ130601AA



Amana® is a registered trademark of Maytag Corporation or its related companies and is used under license to Goodman Company, L.P., Houston, TX, USA. All rights reserved.

This manual is to be used by qualified technicians only.

This manual replaces RP-778B.

© 2014-2015 Goodman Manufacturing Company, L.P. ♦ 5151 San Felipe St., Suite 500 ♦ Houston, TX 77056

Important Information

Index

Functional Parts List	3
Illustration and Parts	4 - 9

Views shown are for parts illustrations only, not servicing procedures

Text Codes:

AR - As Required

NA - Not Available

NS - Not Shown

00000000 - See Note

QTY - Quantity Example (QTY 3) (If Quantity not shown, Quantity = 1)

M - Model Example (M1) (If M Code not shown, then part is used on all Models)

Expanded Model Nomenclature:

Example M1 - Model#1 M2 - Model#2 M3 - Model#3

Goodman Manufacturing Company, L.P. is not responsible for personal injury or property damage resulting from improper service. Review all service information before beginning repairs.

Warranty service must be performed by an authorized technician, using authorized factory parts. If service is required after the warranty expires, Goodman Manufacturing Company, L.P. also recommends contacting an authorized technician and using authorized factory parts.

Goodman Manufacturing Company, L.P. reserves the right to discontinue, or change at any time, specifications or designs without notice or without incurring obligations.

For assistance within the U.S.A. contact:
Consumer Affairs Department
Goodman Manufacturing Company, L.P.
7401 Security Way
Houston, Texas 77040
877-254-4729-Telephone
713-863-2382-Facsimile

For assistance outside the U.S.A. contact:
International Division
Goodman Manufacturing Company, L.P.
7401 Security Way
Houston, Texas 77040
713-861-2500-Telephone
713-863-2382-Facsimile

Functional Parts

Part No: **Description:**

B12825171	3/8" SERVICE VALVE
CAP050300440CS	CAP.5/30MFD/440V/DUAL RD (M1, M2)
CAP050400440CT	CAPACITOR 5/40/440V/DUAL RD (M3, M4, M5, M6)
CAP050450440CT	CAPACITOR 5/45/440V/DUAL RD (M7, M8, M9, M10, M11, M12)
CAP050700440CT	CAPACITOR 5/70/440V/DUAL RD (M13)
ZP16K5EPFV130	COMPRESSOR 15500, 208/230/60/1 (M1, M2)
ZP21K5EPFV130	COMPRESSOR 21300, 208/230/60/1 (M3, M4)
ZP25K5EPFV130	COMPRESSOR 25200, 208/230/60/1 (M5, M6)
ZP31K5EPFV130	COMPRESSOR 31100, 208/230/60/1 (M7, M8)
ZP34K5EPFV130	COMPRESSOR 34500, 208/230/60/1 (M9, M10)
ZP39K5EPFV130	COMPRESSOR 39000, 208/230/60/1 (M11, M12)
ZP51K5EPFV130	COMPRESSOR 51000, 208/230/60/1 (M13)
0131M00018P	COND MOTOR 1/4 HP, 1 SP, 6 PL (M7, M8, M9, M10, M11, M12)
0131M00061	COND MOTOR 1/4 HP, 1 SP, 8 PL (M13)
0131M00266	COND MOTOR 1/8 HP, 8 PL, PSC (M1, M2, M5, M6)
0131M00294	COND MOTOR, 1/8HP, ISP, 6PL (M3, M4)
CONT1P025024V	CONTACTOR 25 AMP, 1P, 24V (M1, M2, M3, M4, M5, M6, M7, M8, M9, M10)
CONT1P030024V	CONTACTOR 30 AMP, 1P, 24V (M11, M12, M13)
0130M00105	CONTROL, DEFROST (M1, M2, M5, M6, M9, M10, M11, M12, M13)
0130M00098	CONTROL, DEFROST (M3, M4, M7, M8)
0130M00089	CUT-OUT SWITCH, HIGH PRESSURE
0130M00088	CUT-OUT SWITCH, LOW PRESSURE
PCBDM133	DEFROST CONTROL BOARD
0130M00106	DISC THERMOSTAT CRNKCS HTR SW
0150M00018	FAN BLADE 20" (M1, M2)
0150M00012	FAN BLADE 20" CCW (M5, M6)
B1086750	FAN BLADE 22", 3 BLADE, 24° (M11, M12)
0150M00013	FAN BLADE 26" CCW (M13)
0150M00033	FAN BLADE, 20", 3 BLADE, 24DEG (M3, M4)
0150M00022	FAN BLADE, 22" (M7, M8, M9, M10)
0163R00006	HEATER, CRANKCASE 230V, 40W (M1, M2, M3, M4, M5, M6, M7, M8)
0163R00007	HEATER, CRANKCASE 230V, 40W (M9, M10, M11, M12, M13)
0151R00069	REVERSING VALVE (M8)
0151M00018	REVERSING VALVE (M1, M5)
0151M00019	REVERSING VALVE (M7)
0151M00020	REVERSING VALVE (M9, M11, M13)
0151R00068	REVERSING VALVE (M2, M6)
0151R00070	REVERSING VALVE (M12)
0151R00071	REVERSING VALVE (M10)
B1227314	REVERSING VALVE (M3)
0151R00067	REVERSING VALVE (M4)
B1225022	SOLENOID COIL
0151R00032	VALVE, BASE 3/4" OPEN LEFT (M1, M2, M3, M4, M5, M6, M7, M8)
0151R00033	VALVE, SERVICE 7/8" OPEN LEFT (M9, M10, M11, M12, M13)

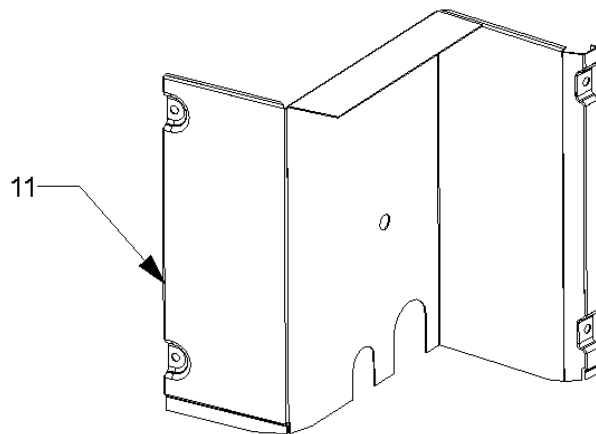
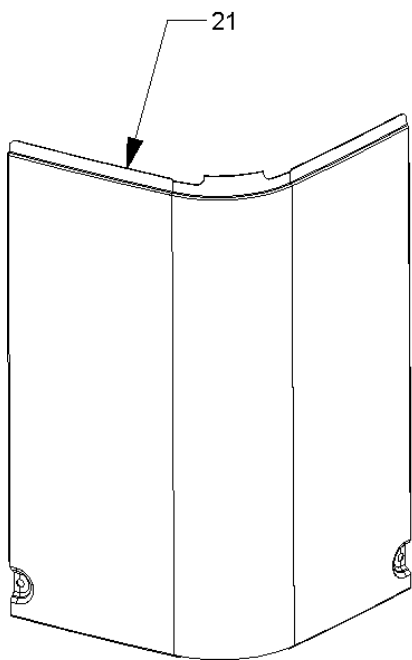
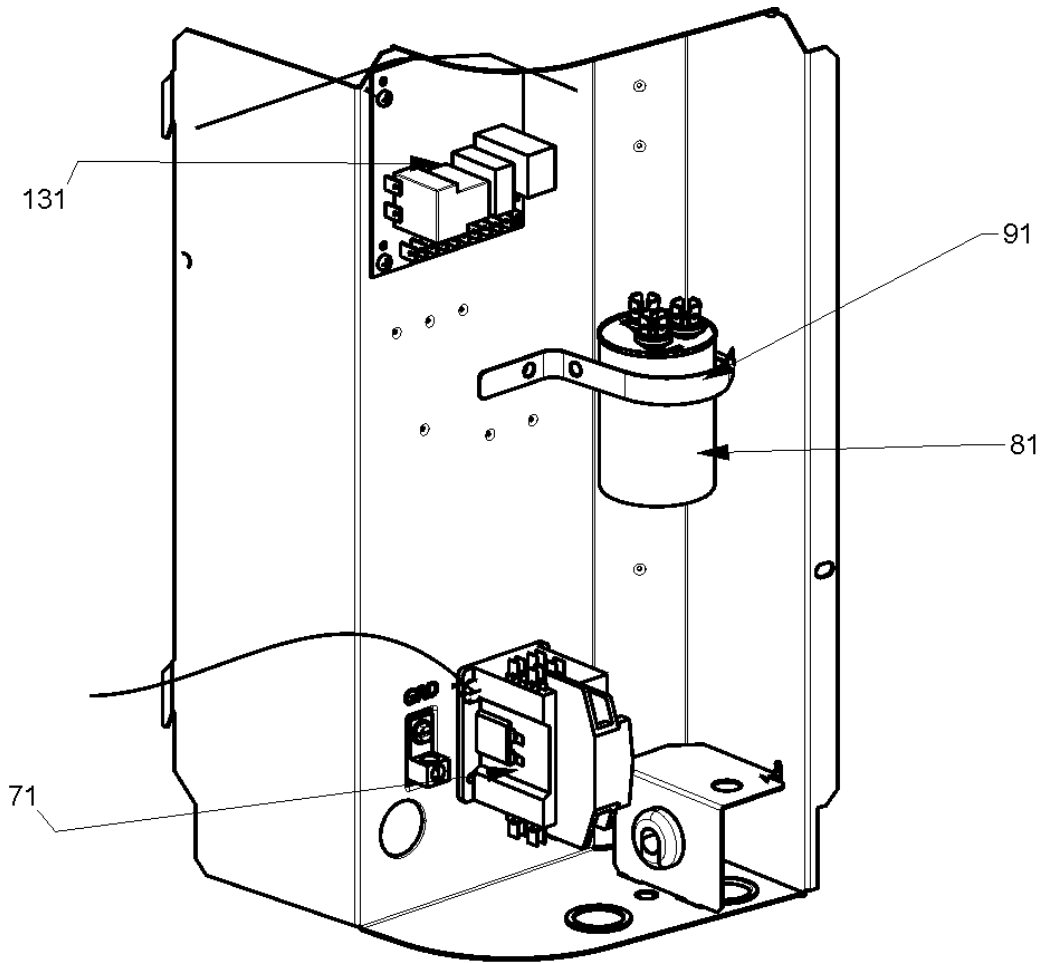
SPECIAL PARTS

0161R00010P AMANA NAMEPLATE

Expanded Model Nomenclature

M1 - ANZ130181AA
M2 - ANZ130181AB
M3 - ANZ130241AA
M4 - ANZ130241AB
M5 - ANZ130301AA
M6 - ANZ130301AB
M7 - ANZ130361AA
M8 - ANZ130361AB
M9 - ANZ130421AA
M10 - ANZ130421AB
M11 - ANZ130481AA
M12 - ANZ130481AB
M13 - ANZ130601AA

Control Box Assy



Control Box Assy

Ref. Part No: No:	Description:	Ref. Part No: No:	Description:
-------------------	--------------	-------------------	--------------

Image 1:

11	0121R00318PDG	PANEL, LOWER ACCESS PNT (M9, M10)
11	0121R00321PDG	PANEL, LOWER ACCESS PNT (M11, M12, M13)
11	0121R00323PDG	PANEL, LOWER ACCESS PNT (M1, M2, M3, M4, M5, M6, M7, M8)
21	0121R00053PDG	CONTROL COVER
71	CONT1P025024V	CONTACTOR 25 AMP, 1P, 24V (M1, M2, M3, M4, M5, M6, M7, M8, M9, M10)
71	CONT1P030024V	CONTACTOR 30 AMP, 1P, 24V (M11, M12, M13)
81	CAP050300440CS	CAP.5/30MFD/440V/DUAL RD (M1, M2)
81	CAP050400440CT	CAPACITOR 5/40/440V/DUAL RD (M3, M4, M5, M6)
81	CAP050450440CT	CAPACITOR 5/45/440V/DUAL RD (M7, M8, M9, M10, M11, M12)
81	CAP050700440CT	CAPACITOR 5/70/440V/DUAL RD (M13)
91	4400065	CAPACITOR STRAP
131	PCBDM133	DEFROST CONTROL BOARD
NS	0161R00010P	AMANA NAMEPLATE

Expanded Model Nomenclature

M1 - ANZ130181AA
M2 - ANZ130181AB
M3 - ANZ130241AA
M4 - ANZ130241AB
M5 - ANZ130301AA
M6 - ANZ130301AB
M7 - ANZ130361AA
M8 - ANZ130361AB
M9 - ANZ130421AA
M10 - ANZ130421AB
M11 - ANZ130481AA
M12 - ANZ130481AB
M13 - ANZ130601AA

Compressor / Tubing Assembly / Condenser

IMAGE 1

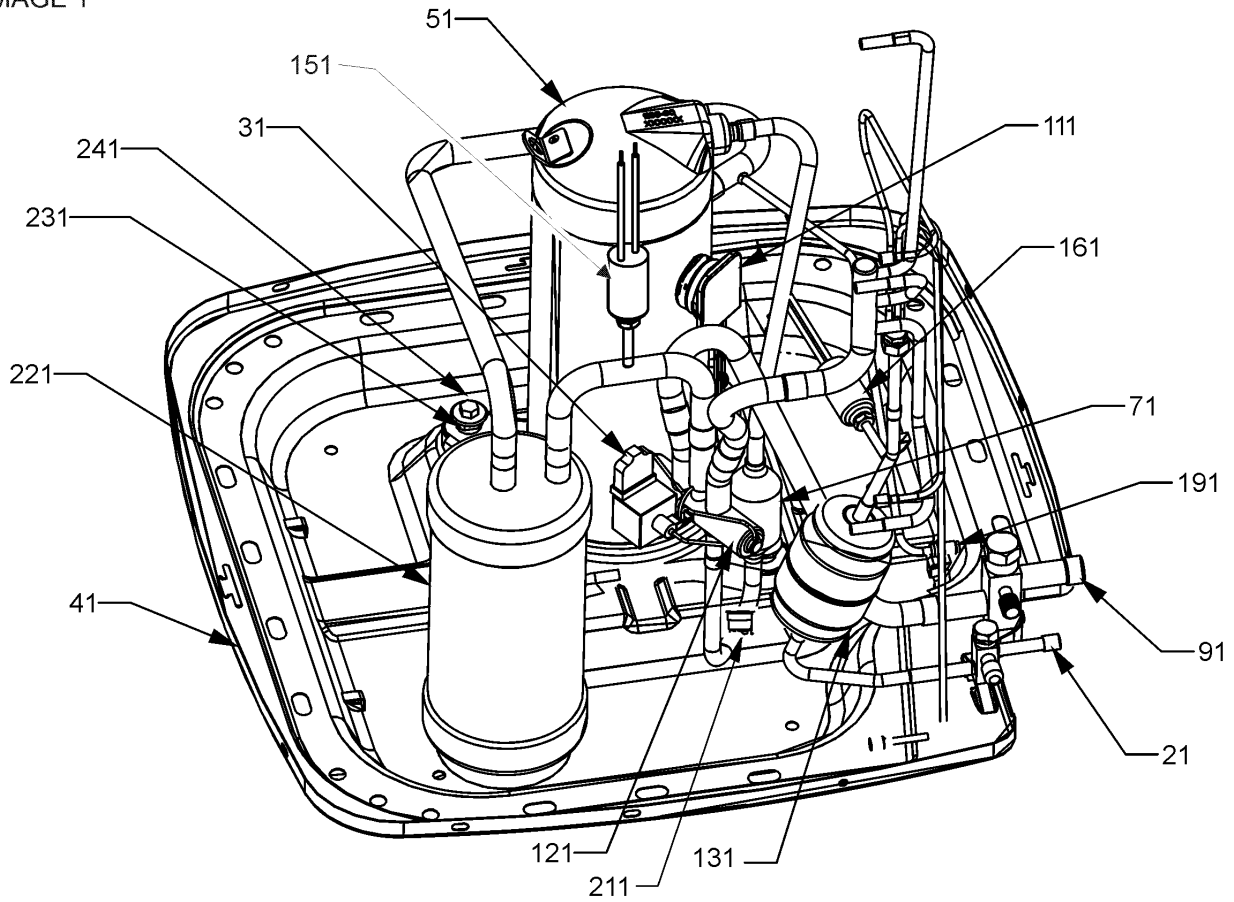
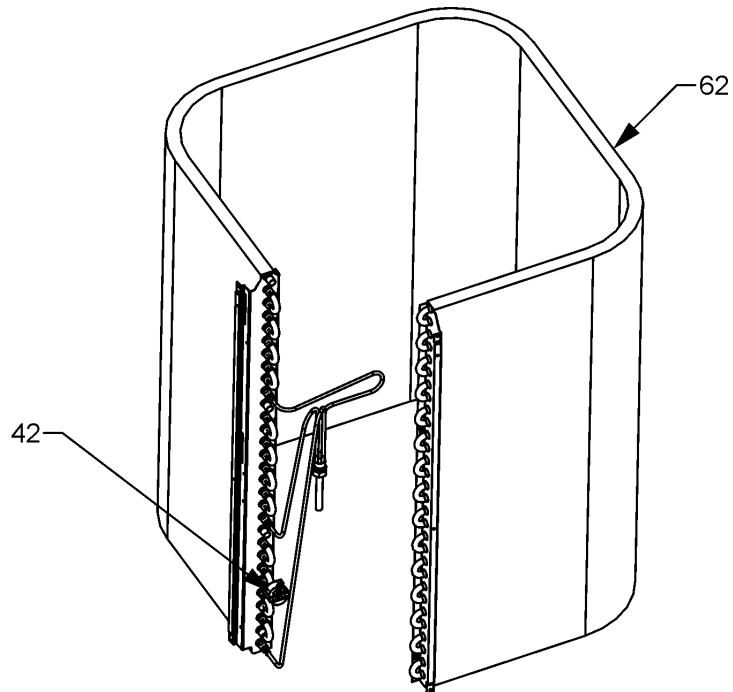


IMAGE 2



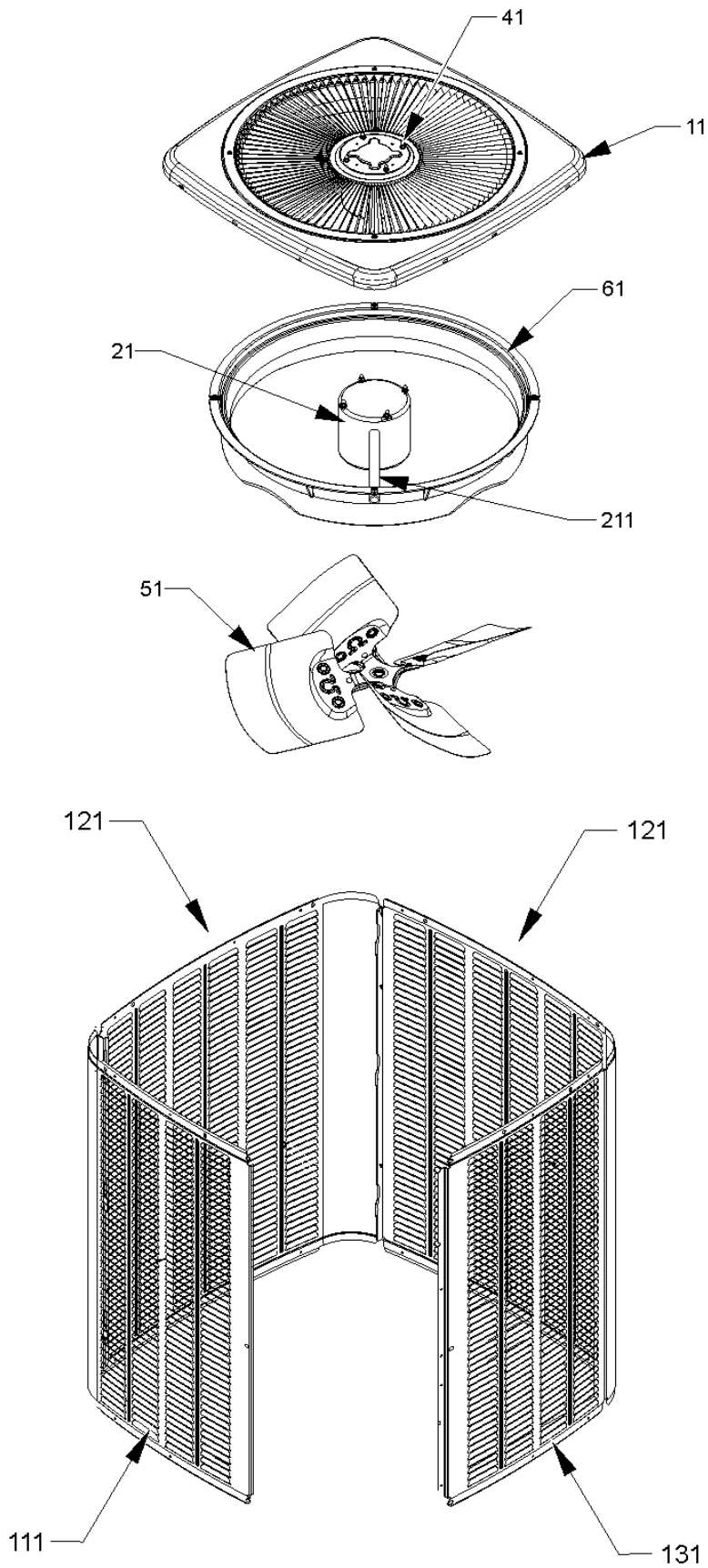
Compressor / Tubing Assembly / Condenser

Ref. Part No: No:	Description:	Ref. Part No: No:	Description:
Image 1:		Image 2:	
21	B12825171	3/8" SERVICE VALVE	62 0201R00155S TUBING ASSY, COND COIL (M13)
31	B1225020	SOLENOID COIL CORD W/1/4"TERMINAL (M1, M3, M5, M7, M9)	62 0201R00285 TUBING ASSY, COND COIL (M7, M8)
31	0130M00083	SOLENOIDHARNESS W/1/4"TERMINAL (M2, M4, M6, M8, M10, M11, M12, M13)	62 0201R00317 TUBING ASSY, COND COIL (M3, M4)
41	0121R00005PDG	BASE PAN 26" (M1, M2, M3, M4, M5, M6)	62 0201R00325 TUBING ASSY, COND COIL (M5, M6)
41	0121R00006PDG	BASE PAN 29" (M7, M8, M9, M10, M11, M12)	NS B1789872 FLOW CHECK PISTON KIT (M9, M10)
41	0121R00007PDG	BASE PAN 35" (M13)	NS B1789851 FLOW CHECK PISTON KIT .051 (M1, M2)
51	ZP16K5EPFV130	COMPRESSOR 15500, 208/230/60/1 (M1, M2)	NS B1789857 FLOW CHECK PISTON KIT .057 (M3, M4)
51	ZP21K5EPFV130	COMPRESSOR 21300, 208/230/60/1 (M3, M4)	NS B1789865 FLOW CHECK PISTON KIT .065 (M5, M6)
51	ZP25K5EPFV130	COMPRESSOR 25200, 208/230/60/1 (M5, M6)	NS B1789871 FLOW CHECK PISTON KIT .071 (M7, M8)
51	ZP31K5EPFV130	COMPRESSOR 31100, 208/230/60/1 (M7, M8)	NS B1789878 FLOW CHECK PISTON KIT .078 (M11, M12)
51	ZP34K5EPFV130	COMPRESSOR 34500, 208/230/60/1 (M9, M10)	NS B1789888 FLOW CHECK PISTON KIT .088 (M13)
51	ZP39K5EPFV130	COMPRESSOR 39000, 208/230/60/1 (M11, M12)	
51	ZP51K5EPFV130	COMPRESSOR 51000, 208/230/60/1 (M13)	
71	B1219301	MUFFLER 1/2 X 1/2	
91	0151R00032	VALVE, BASE 3/4" OPEN LEFT (M1, M2, M3, M4, M5, M6, M7, M8)	
91	0151R00033	VALVE, SERVICE 7/8" OPEN LEFT (M9, M10, M11, M12, M13)	
111	0159R00000P	COMPRESSOR SCROLL HARNESS (M1, M2, M3, M4, M5, M6)	
111	0159R00001P	COMPRESSOR SCROLL HARNESS (M7, M8, M9, M10, M11, M12)	
111	0159R00002P	COMPRESSOR SCROLL HARNESS (M13)	
121	0151M00018	REVERSING VALVE (M1, M5)	
121	0151M00019	REVERSING VALVE (M7)	
121	0151M00020	REVERSING VALVE (M9, M11, M13)	
121	0151R00067	REVERSING VALVE (M4)	
121	0151R00068	REVERSING VALVE (M2, M6)	
121	0151R00069	REVERSING VALVE (M8)	
121	0151R00070	REVERSING VALVE (M12)	
121	0151R00071	REVERSING VALVE (M10)	
121	B1227314	REVERSING VALVE (M3)	
131	20485201	BI-FLOW FILTER DRIER	
151	0130M00088	CUT-OUT SWITCH, LOW PRESSURE	
161	0130M00089	CUT-OUT SWITCH, HIGH PRESSURE	
191	B1787000	VALVE CORE	
211	0130M00106	DISC THERMOSTAT CRNKCS HTR SW	
221	B1226206	ACCUMULATOR (M1, M2, M3, M4, M5, M6)	
221	0151R00004P	ACCUMULATOR .750 (M7, M8)	
221	B1226207	ACCUMULATOR .875 (M9, M10, M11, M12, M13)	
231	B1339533	COMPRESSOR GROMMET (QTY 4)	
241	M0221641	TF SHOULDER SCREW (QTY 4)	
NS	20270812	COMPENSATOR (M7, M8)	
NS	20270815	COMPENSATOR (M3, M4)	
NS	0163R00006	HEATER, CRANKCASE 230V, 40W (M1, M2, M3, M4, M5, M6, M7, M8)	
NS	0163R00007	HEATER, CRANKCASE 230V, 40W (M9, M10, M11, M12, M13)	
NS	B1225022	SOLENOID COIL	
Image 2:			
42	0130M00098	CONTROL, DEFROST (M3, M4, M7, M8)	
42	0130M00105	CONTROL, DEFROST (M1, M2, M5, M6, M9, M10, M11, M12, M13)	
62	0201R00150S	TUBING ASSY, COND COIL (M1, M2)	
62	0201R00152S	TUBING ASSY, COND COIL (M9, M10)	
62	0201R00154S	TUBING ASSY, COND COIL (M11, M12)	

Expanded Model Nomenclature

M1 - ANZ130181AA
M2 - ANZ130181AB
M3 - ANZ130241AA
M4 - ANZ130241AB
M5 - ANZ130301AA
M6 - ANZ130301AB
M7 - ANZ130361AA
M8 - ANZ130361AB
M9 - ANZ130421AA
M10 - ANZ130421AB
M11 - ANZ130481AA
M12 - ANZ130481AB
M13 - ANZ130601AA

Cabinet Top & Side Assy



Cabinet Top & Side Assy

Ref. Part No: No:	Description:	Ref. Part No: No:	Description:
<i>Image 1:</i>		Expanded Model Nomenclature	
11	0121R00008PDG TOP PANEL 26" (M1, M2, M3, M4, M5, M6)	M1 - ANZ130181AA	
11	0121R00010PDG TOP PANEL 29" (M7, M8, M9, M10, M11, M12)	M2 - ANZ130181AB	
11	0121R00269PDG TOP PANEL 35" (M13)	M3 - ANZ130241AA	
21	0131M00018P COND MOTOR 1/4 HP, 1 SP, 6 PL (M7, M8, M9, M10, M11, M12)	M4 - ANZ130241AB	
21	0131M00061 COND MOTOR 1/4 HP, 1 SP, 8 PL (M13)	M5 - ANZ130301AA	
21	0131M00266 COND MOTOR 1/8 HP, 8 PL, PSC (M1, M2, M5, M6)	M6 - ANZ130301AB	
21	0131M00294 COND MOTOR, 1/8HP, ISP, 6PL (M3, M4)	M7 - ANZ130361AA	
41	0163M00006P ACORN NUT 5/16 HEX BLACK (QTY 4)	M8 - ANZ130361AB	
51	0150M00018 FAN BLADE 20" (M1, M2)	M9 - ANZ130421AA	
51	0150M00012 FAN BLADE 20" CCW (M5, M6)	M10 - ANZ130421AB	
51	B1086750 FAN BLADE 22", 3 BLADE, 24° (M11, M12)	M11 - ANZ130481AA	
51	0150M00013 FAN BLADE 26" CCW (M13)	M12 - ANZ130481AB	
51	0150M00033 FAN BLADE, 20", 3 BLADE, 24DEG (M3, M4)	M13 - ANZ130601AA	
51	0150M00022 FAN BLADE, 22" (M7, M8, M9, M10)		
61	0161L00000 VENTURI RING 22" (M7, M8, M9, M10, M11, M12)		
61	0161R00007P VENTURI RING 35" (M13)		
111	0121R00200PLGB LOUVERED SIDE PANEL [LT OF CNTL PNL] (M7, M8)		
111	0121R00208PLGB LOUVERED SIDE PANEL [LT OF CNTL PNL] (M3, M4)		
111	4400402PLGB LOUVERED SIDE PANEL [LT OF CNTL PNL] (M1, M2, M5, M6)		
111	4400457PLGB LOUVERED SIDE PANEL [LT OF CNTL PNL] (M11, M12)		
111	4400458PLGB LOUVERED SIDE PANEL [LT OF CNTL PNL] (M9, M10)		
111	4400463PLGB LOUVERED SIDE PANEL [LT OF CNTL PNL] (M13)		
121	0121R00199PLGB LOUVERED SIDE PANEL (M3, M4)		
121	0121R00204PLGB LOUVERED SIDE PANEL (M7, M8)		
121	4400407PLGB LOUVERED SIDE PANEL (M1, M2, M5, M6)		
121	4400459PLGB LOUVERED SIDE PANEL (M11, M12)		
121	4400465PLGB LOUVERED SIDE PANEL (M13)		
121	4400460PLGB LOUVERED SIDE PANEL 29_36 (M9, M10)		
131	0121R00193PLG LOUVERED SIDE PANEL [RT OF CNTL PNL] (M7, M8)		
131	0121R00197PLG LOUVERED SIDE PANEL [RT OF CNTL PNL] (M3, M4)		
131	4400412PLG LOUVERED SIDE PANEL [RT OF CNTL PNL] (M1, M2, M5, M6)		
131	4400461PLG LOUVERED SIDE PANEL [RT OF CNTL PNL] (M11, M12)		
131	4400462PLG LOUVERED SIDE PANEL [RT OF CNTL PNL] (M9, M10)		
131	4400467PLG LOUVERED SIDE PANEL [RT OF CNTL PNL] (M13)		
211	0161R00001P CONDUIT (M1, M2, M3, M4, M5, M6)		
211	0161R00002P CONDUIT (M7, M8, M9, M10, M11, M12)		
211	0161R00004P CONDUIT (M13)		