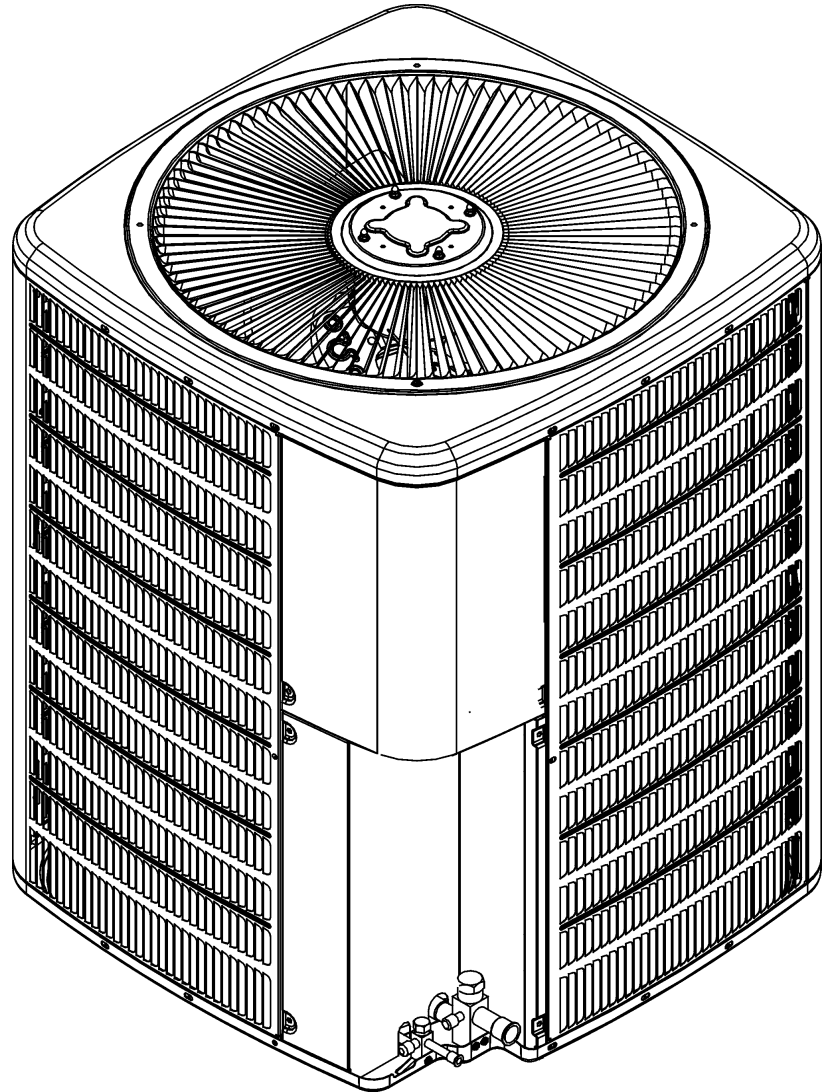


## ANX14 Remote Condensing Unit

ANX140181AA  
ANX140191AA  
ANX140191AB  
ANX140241AA  
ANX140241AB  
ANX140251AA  
ANX140251BA  
ANX140301AA  
ANX140301AB  
ANX140311AA  
ANX140311AB  
ANX140361AA  
ANX140361AB  
ANX140361AC  
ANX140371AA  
ANX140371AB  
ANX140371AC  
ANX140421AA  
ANX140421AB  
ANX140421AC  
ANX140431AA  
ANX140431AB  
ANX140431AC  
ANX140481AA  
ANX140481AB  
ANX140601AA  
ANX140601AB



Amana® is a registered trademark of Maytag Corporation or its related companies and is used under license. All rights reserved.

This manual is to be used by qualified technicians only.

This manual replaces RP-A4000D.

# Important Information

---

## Index

Functional Parts List .....	3
Illustration and Parts .....	4 - 9

*Views shown are for parts illustrations only, not servicing procedures*

### Text Codes:

AR - As Required

NA - Not Available

NS - Not Shown

00000000 - See Note

QTY - Quantity Example (QTY 3) (If Quantity not shown, Quantity = 1)

M - Model Example (M1) (If M Code not shown, then part is used on all Models)

### Expanded Model Nomenclature:

Example M1 - Model#1 M2 - Model#2 M3 - Model#3
---

Goodman Company, L.P. is not responsible for personal injury or property damage resulting from improper service. Review all service information before beginning repairs.

Warranty service must be performed by an authorized technician, using authorized factory parts. If service is required after the warranty expires, Goodman Company, L.P. also recommends contacting an authorized technician and using authorized factory parts.

Goodman Company, L.P. reserves the right to discontinue, or change at any time, specifications or designs without notice or without incurring obligations.

For assistance within the U.S.A. contact:

Homeowner Support  
Goodman Company, L.P.  
19001 Kermier Road  
Waller, Texas 77484  
877-254-4729-Telephone  
713-863-2382-Facsimile

For assistance outside the U.S.A. contact:

International Division  
Goodman Company, L.P.  
19001 Kermier Road  
Waller, Texas 77484  
713-861-2500-Telephone  
713-863-2382-Facsimile

# Functional Parts

## Part

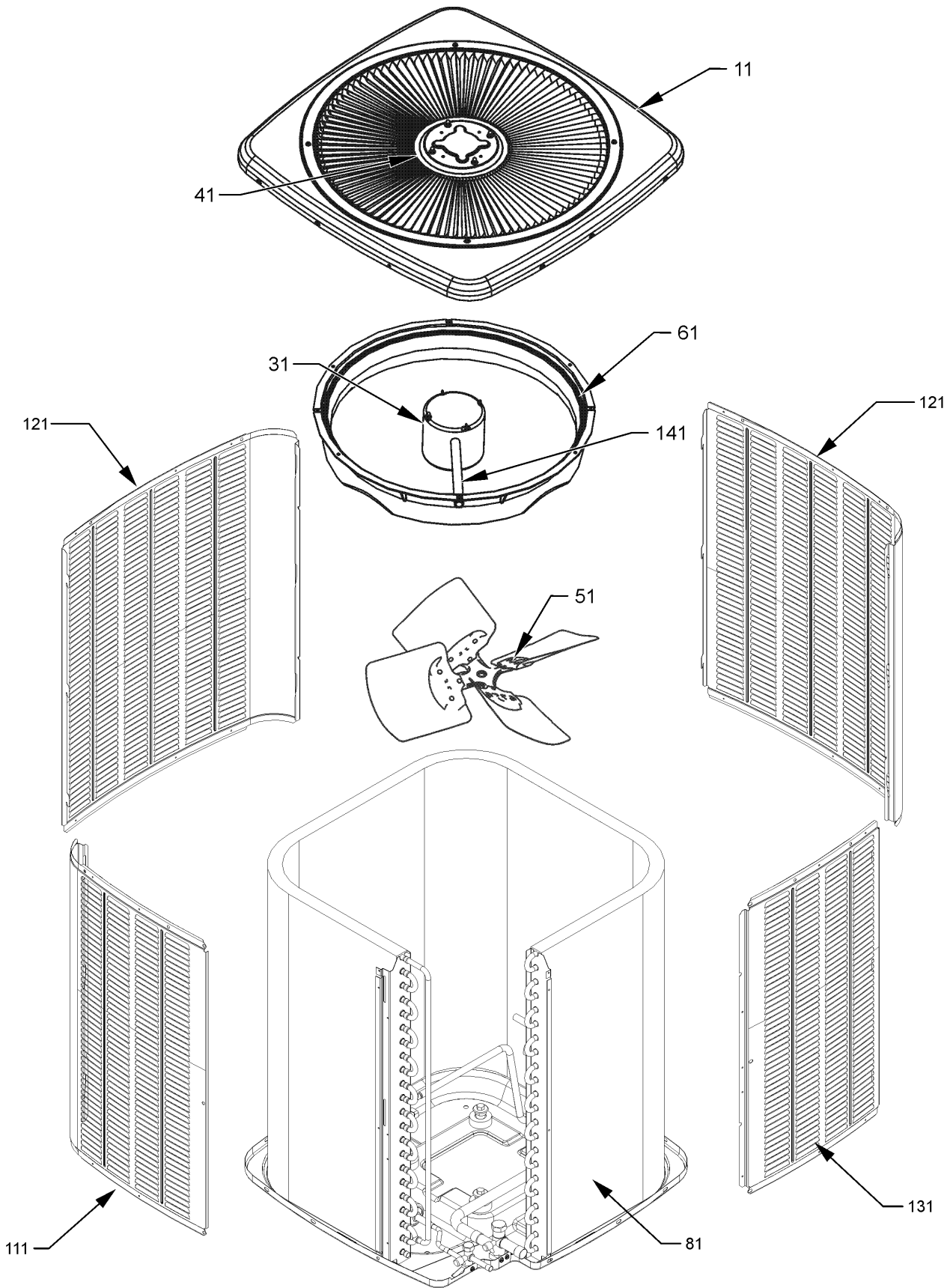
**No:**            **Description:**

Part No:	Description:	Expanded Model Nomenclature
0151R00079	BASE VALVE 3/4" (M1, M2, M3, M4, M5, M6, M7, M8, M9, M10, M11, M12, M13, M14, M15, M16, M17)	M1 - ANX140181AA
0151R00078	BASE VALVE 3/8"	M2 - ANX140191AA
0151R00080	BASE VALVE 7/8" (M18, M19, M20, M21, M22, M23, M24, M25, M26, M27)	M3 - ANX140191AB
CAP050300440CS	CAP,5/30MFD/440V/DUAL RD (M1, M2, M3)	M4 - ANX140241AA
CAP050350440CS	CAPACITOR 5/35/440V (M4, M5, M6, M7)	M5 - ANX140241AB
CAP050400440CT	CAPACITOR 5/40/440V/DUAL RD (M8, M9, M10, M11)	M6 - ANX140251AA
CAP050450440CT	CAPACITOR 5/45/440V/DUAL RD (M12, M13, M14, M15, M16, M17, M18, M19, M20, M21, M22, M23, M24, M25)	M7 - ANX140251BA
CAP050700440CT	CAPACITOR 5/70/440V/DUAL RD (M26, M27)	M8 - ANX140301AA
ZP14K6EPFV130	COMP, 14,000,208/230/60/1 (M2, M3)	M9 - ANX140301AB
ZP20K6EPFV130	COMP, 20,000,208/230/60/1 (M4, M5, M6)	M10 - ANX140311AA
ZP24K6EPFV130	COMP, 24,000,208/230/60/1 (M10, M11)	M11 - ANX140311AB
ZP29K6EPFV130	COMP, 29,000,208/230/60/1 (M15, M16, M17)	M12 - ANX140361AA
ZP24K5EPFV130	COMP,24000,208/230/60/1 (M8, M9)	M13 - ANX140361AB
ZP29K5EPFV130	COMP,29000,208/230/60/1 (M12, M13, M14)	M14 - ANX140361AC
ZP49K5EPFV130	COMP,49400,208/230/60/1 (M26, M27)	M15 - ANX140371AA
ZP16K5EPFV130	COMPRESSOR 15500, 208/230/60/1 (M1)	M16 - ANX140371AB
ZP20K5EPFV130	COMPRESSOR 20000, 208/230/60/1 (M7)	M17 - ANX140371AC
ZP31K5EPFV130	COMPRESSOR 31100, 208/230/60/1 (M18, M19, M20, M21, M22, M23)	M18 - ANX140421AA
ZP38K5EPFV130	COMPRESSOR 37500, 208/230/60/1 (M24, M25)	M19 - ANX140421AB
0131M00019P	COND MOTOR 1/12 HP, 1 SP, 8 PL (M4)	M20 - ANX140421AC
0131M00061	COND MOTOR 1/4 HP, 1 SP, 8 PL (M24, M25, M26, M27)	M21 - ANX140431AA
0131M00060	COND MOTOR 1/6 HP, 1 SP, 8 PL (M8, M10, M12, M15, M18, M21)	M22 - ANX140431AB
0131M00266	COND MOTOR 1/8 HP, 8 PL, PSC (M1, M2, M3, M5, M6, M7)	M23 - ANX140431AC
0131M00753	COND MOTOR, 1/6HP, 1SP, 8PL, AL (M9, M11, M13, M14, M16, M17, M19, M20, M22, M23)	M24 - ANX140481AA
CONT1P025024V	CONTACTOR 25 AMP, 1P, 24V (M1, M2, M3, M4, M5, M6, M7, M8, M9, M10, M11, M12, M13, M14, M15, M16, M17, M18, M19, M20, M21, M22, M23)	M25 - ANX140481AB
CONT1P030024V	CONTACTOR 30 AMP, 1P, 24V (M24, M25, M26, M27)	M26 - ANX140601AA
0150M00012	FAN BLADE 20" CCW (M1, M2, M3, M4, M5, M6, M7)	M27 - ANX140601AB
0150M00008	FAN BLADE 22" TNT2203-25 (M10, M11, M12, M13, M14, M15, M16, M17)	
10625738	FAN BLADE 26" ALUM CCW (M24, M25, M26, M27)	
B1086764	FAN BLADE TYPE 2 (M8, M9, M18, M19, M20, M21, M22, M23)	
CSR-U-1	HARD START KIT (M2)	

## SPECIAL PARTS

0161R00010P      AMANA NAMEPLATE

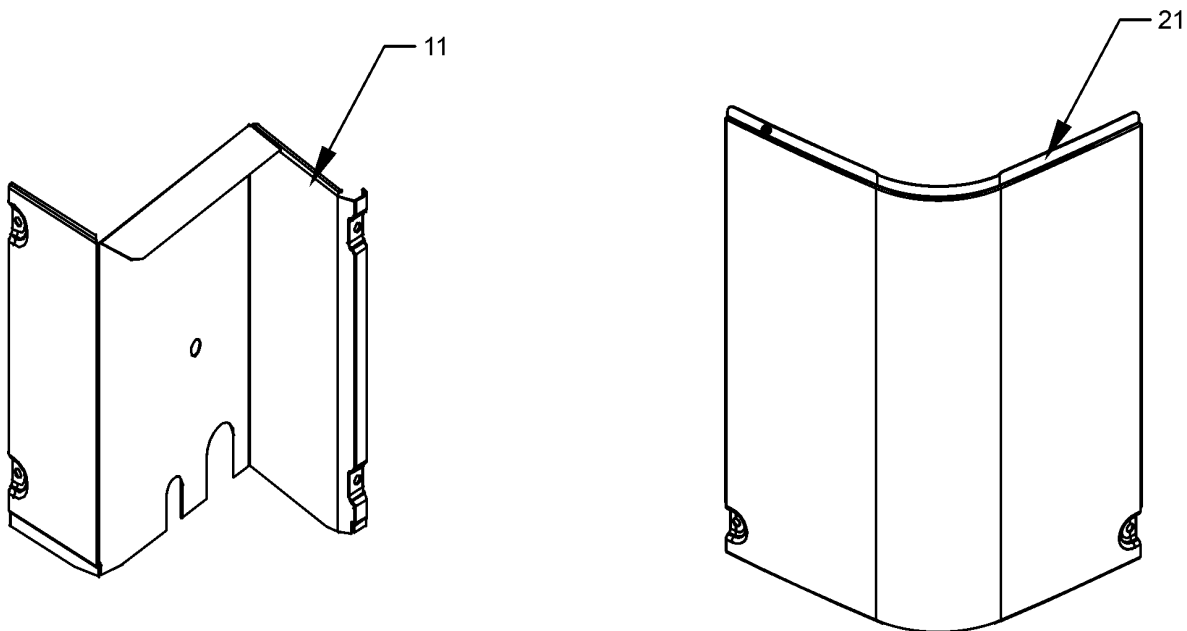
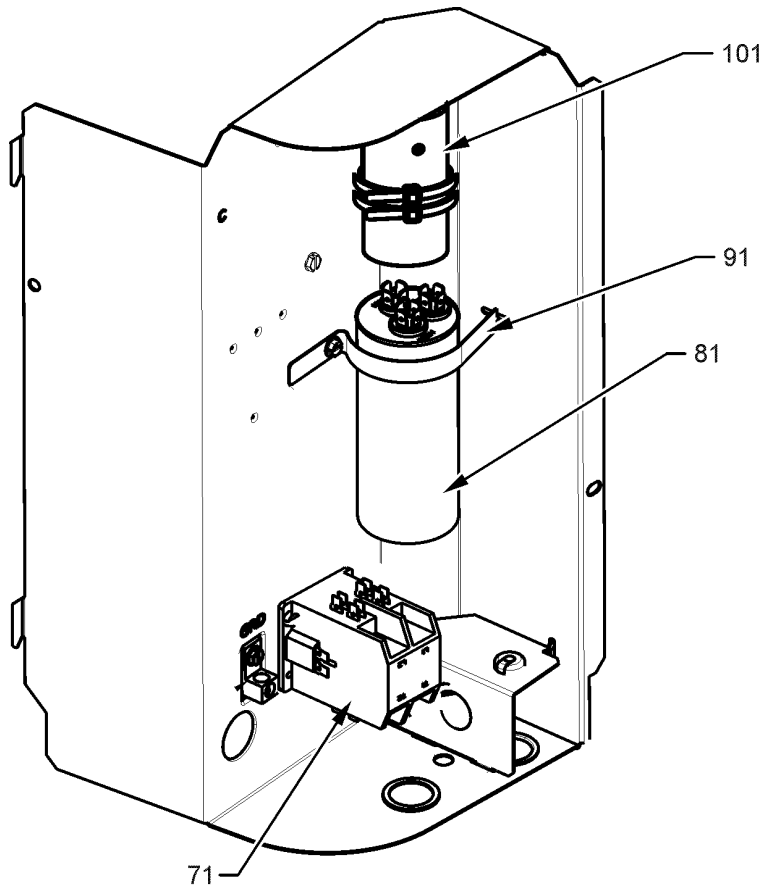
# Cabinet Top & Side Panels



# Cabinet Top & Side Panels

Ref. Part No: No:	Description:	Ref. Part No: No:	Description:
<b>Image 1:</b>		<b>Image 1:</b>	
11	0121R00008PDG TOP PANEL 26" (M1, M2, M3, M4, M5, M6, M7)	131	0121R00194PLG LOUVERED SIDE PANEL [RT OF CNTL PNL] (M18, M19, M20, M21, M22, M23)
11	0121R00010PDG TOP PANEL 29" (M8, M9, M10, M11, M12, M13, M14, M15, M16, M17, M18, M19, M20, M21, M22, M23)	131	0121R00196PLG LOUVERED SIDE PANEL [RT OF CNTL PNL] (M1, M2, M3, M4, M5, M6)
11	0121R00269PDG TOP PANEL, 35" (M24, M25, M26, M27)	131	0121R00197PLG LOUVERED SIDE PANEL [RT OF CNTL PNL] (M7)
31	0131M00019P COND MOTOR 1/12 HP, 1 SP, 8 PL (M4)	131	0121R00247PLG LOUVERED SIDE PANEL [RT OF CNTL PNL] (M24, M25)
31	0131M00061 COND MOTOR 1/4 HP, 1 SP, 8 PL (M24, M25, M26, M27)	131	0121R00248PLG LOUVERED SIDE PANEL [RT OF CNTL PNL] (M26, M27)
31	0131M00060 COND MOTOR 1/6 HP, 1 SP, 8 PL (M8, M10, M12, M15, M18, M21)	141	0161R00001P CONDUIT (M1, M2, M3, M4, M5, M6, M7)
31	0131M00266 COND MOTOR 1/8 HP, 8 PL, PSC (M1, M2, M3, M5, M6, M7)	141	0161R00002P CONDUIT (M10, M11, M15, M16, M17, M18, M19, M20, M21, M22, M23)
31	0131M00753 COND MOTOR, 1/6HP, 1SP, 8PL, AL (M9, M11, M13, M14, M16, M17, M19, M20, M22, M23)	141	0161R00003P CONDUIT (M8, M9, M12, M13, M14)
41	0163M00006P ACORN NUT 5/16 HEX BLACK (QTY 4)	141	0161R00004P CONDUIT (M24, M25)
51	0150M00012 FAN BLADE 20" CCW (M1, M2, M3, M4, M5, M6, M7)	141	0161R00005P CONDUIT (M26, M27)
51	0150M00008 FAN BLADE 22" TNT2203-25 (M10, M11, M12, M13, M14, M15, M16, M17)	NS	0161R00010P AMANA NAMEPLATE
51	10625738 FAN BLADE 26" ALUM CCW (M24, M25, M26, M27)	NS	0163M00005P WASHER, BLACK (.50 OD .218ID) (QTY 4)
51	B1086764 FAN BLADE TYPE 2 (M8, M9, M18, M19, M20, M21, M22, M23)	<b>Expanded Model Nomenclature</b>	
61	0161L00000 VENTURI RING 22" (M10, M11, M15, M16, M17, M18, M19, M20, M21, M22, M23)	<div style="border: 1px solid black; padding: 5px;"> M1 - ANX140181AA  M2 - ANX140191AA  M3 - ANX140191AB  M4 - ANX140241AA  M5 - ANX140241AB  M6 - ANX140251AA  M7 - ANX140251BA  M8 - ANX140301AA  M9 - ANX140301AB  M10 - ANX140311AA  M11 - ANX140311AB  M12 - ANX140361AA  M13 - ANX140361AB  M14 - ANX140361AC  M15 - ANX140371AA  M16 - ANX140371AB  M17 - ANX140371AC  M18 - ANX140421AA  M19 - ANX140421AB  M20 - ANX140421AC  M21 - ANX140431AA  M22 - ANX140431AB  M23 - ANX140431AC  M24 - ANX140481AA  M25 - ANX140481AB  M26 - ANX140601AA  M27 - ANX140601AB </div>	
61	0161R00007P VENTURI RING 35" (M24, M25)		
81	0201R00230 TUBING ASSY, COND COIL (M8, M9)		
81	0201R00278 TUBING ASSY, COND COIL (M12, M13, M14)		
81	0201R00296 TUBING ASSY, COND COIL (M10, M11, M15, M16, M17)		
81	0201R00385 TUBING ASSY, COND COIL (M24, M25)		
81	0201R00433 TUBING ASSY, COND COIL (M26, M27)		
81	0201R00458 TUBING ASSY, COND COIL (M1, M2, M3, M4, M5, M6)		
81	0201R00566 TUBING ASSY, COND COIL (M18, M19, M20, M21, M22, M23)		
81	0201R00666 TUBING ASSY, COND COIL (M7)		
111	0121R00240PLGB LOUVERED SIDE PANEL [LT OF CNTL PNL] (M26, M27)		
111	0121R00200PLGB LOUVERED SIDE PANEL [LT OF CNTL PNL] (M8, M9, M10, M11, M12, M13, M14, M15, M16, M17)		
111	0121R00202PLGB LOUVERED SIDE PANEL [LT OF CNTL PNL] (M18, M19, M20, M21, M22, M23)		
111	0121R00207PLGB LOUVERED SIDE PANEL [LT OF CNTL PNL] (M1, M2, M3, M4, M5, M6)		
111	0121R00208PLGB LOUVERED SIDE PANEL [LT OF CNTL PNL] (M7)		
111	0121R00239PLGB LOUVERED SIDE PANEL [LT OF CNTL PNL] (M24, M25)		
121	0121R00198PLGB LOUVERED SIDE PANEL (M1, M2, M3, M4, M5, M6)		
121	0121R00199PLGB LOUVERED SIDE PANEL (M7)		
121	0121R00204PLGB LOUVERED SIDE PANEL (M8, M9, M10, M11, M12, M13, M14, M15, M16, M17)		
121	0121R00205PLGB LOUVERED SIDE PANEL (M18, M19, M20, M21, M22, M23)		
121	0121R00243PLGB LOUVERED SIDE PANEL (M24, M25)		
121	0121R00244PLGB LOUVERED SIDE PANEL (M26, M27)		
131	0121R00193PLG LOUVERED SIDE PANEL [RT OF CNTL PNL] (M8, M9, M10, M11, M12, M13, M14, M15, M16, M17)		

# Control Box



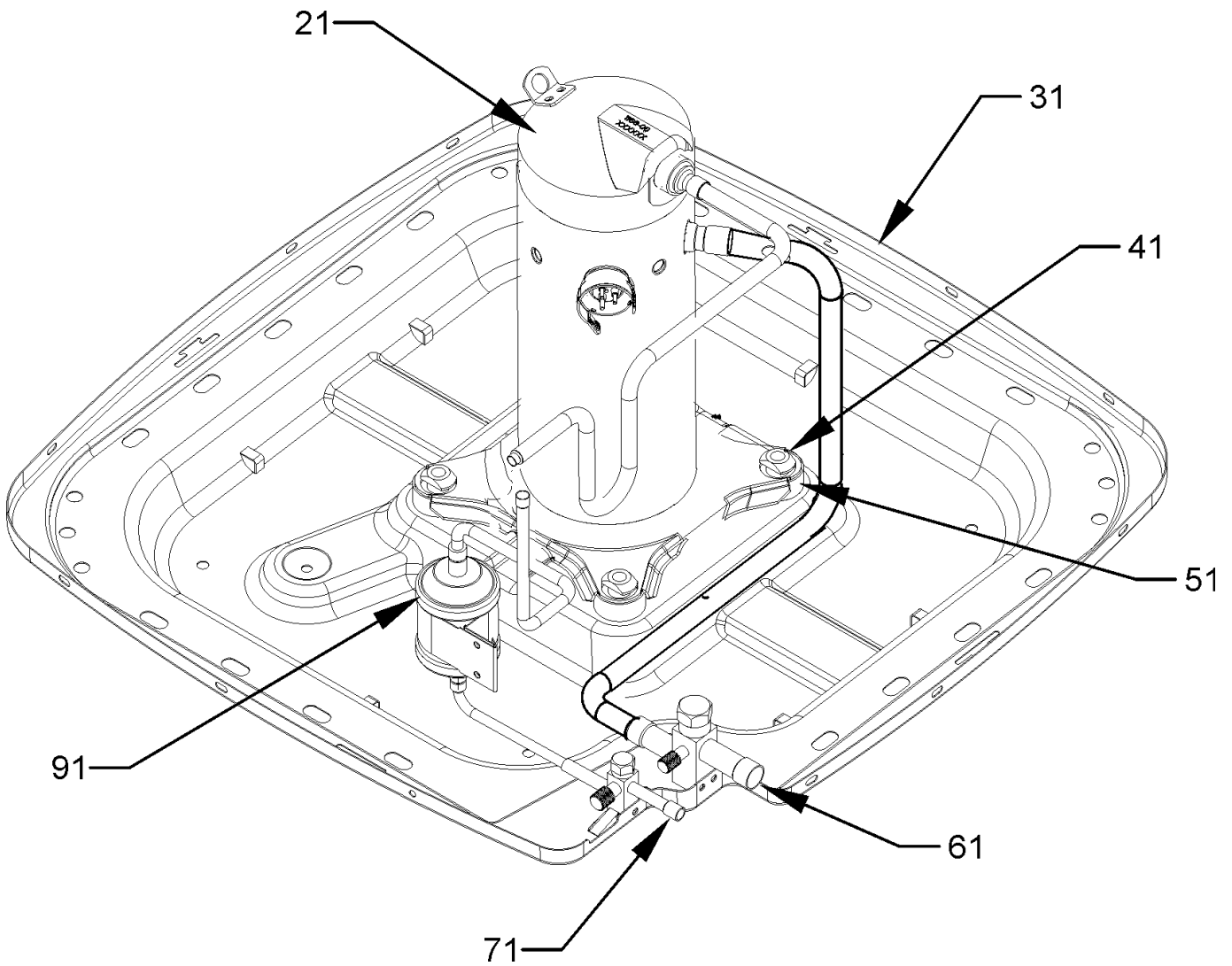
# Control Box

Ref. Part No:	No:	Description:	Ref. Part No:	No:	Description:
<b>Image 1:</b>					
11	0121R00316PDG	PANEL, LOWER ACCESS PNT (M26, M27)			
11	0121R00319PDG	PANEL, LOWER ACCESS PNT (M18, M19, M20, M21, M22, M23, M24, M25)			
11	0121R00326PDG	PANEL, LOWER ACCESS PNT (M1, M2, M3, M4, M5, M6)			
11	0121R00663PDG	PANEL, LOWER ACCESS PNT (M7, M8, M9, M10, M11, M12, M13, M14, M15, M16, M17)			
21	0121R00053PDG	CONTROL COVER			
71	CONT1P025024V	CONTACTOR 25 AMP, 1P, 24V (M1, M2, M3, M4, M5, M6, M7, M8, M9, M10, M11, M12, M13, M14, M15, M16, M17, M18, M19, M20, M21, M22, M23)			
71	CONT1P030024V	CONTACTOR 30 AMP, 1P, 24V (M24, M25, M26, M27)			
81	CAP050300440CS	CAP.5/30MFD/440V/DUAL RD (M1, M2, M3)			
81	CAP050350440CS	CAPACITOR 5/35/440V (M4, M5, M6, M7)			
81	CAP050400440CT	CAPACITOR 5/40/440V/DUAL RD (M8, M9, M10, M11)			
81	CAP050450440CT	CAPACITOR 5/45/440V/DUAL RD (M12, M13, M14, M15, M16, M17, M18, M19, M20, M21, M22, M23, M24, M25)			
81	CAP050700440CT	CAPACITOR 5/70/440V/DUAL RD (M26, M27)			
91	4400065	CAPACITOR STRAP			
101	CSR-U-1	HARD START KIT (M2)			

## Expanded Model Nomenclature

- M1 - ANX140181AA
- M2 - ANX140191AA
- M3 - ANX140191AB
- M4 - ANX140241AA
- M5 - ANX140241AB
- M6 - ANX140251AA
- M7 - ANX140251BA
- M8 - ANX140301AA
- M9 - ANX140301AB
- M10 - ANX140311AA
- M11 - ANX140311AB
- M12 - ANX140361AA
- M13 - ANX140361AB
- M14 - ANX140361AC
- M15 - ANX140371AA
- M16 - ANX140371AB
- M17 - ANX140371AC
- M18 - ANX140421AA
- M19 - ANX140421AB
- M20 - ANX140421AC
- M21 - ANX140431AA
- M22 - ANX140431AB
- M23 - ANX140431AC
- M24 - ANX140481AA
- M25 - ANX140481AB
- M26 - ANX140601AA
- M27 - ANX140601AB

# Tubing & Compressor Assy





# Tubing & Compressor Assy

Ref. Part No: No:	Description:	Ref. Part No: No:	Description:
<i>Image 1:</i>		<b>Expanded Model Nomenclature</b>	
21	ZP14K6EPFV130	COMP, 14,000,208/230/60/1 (M2, M3)	M1 - ANX140181AA
21	ZP20K6EPFV130	COMP, 20,000,208/230/60/1 (M4, M5, M6)	M2 - ANX140191AA
21	ZP24K6EPFV130	COMP, 24,000,208/230/60/1 (M10, M11)	M3 - ANX140191AB
21	ZP29K6EPFV130	COMP, 29,000,208/230/60/1 (M15, M16, M17)	M4 - ANX140241AA
21	ZP24K5EPFV130	COMP,24000,208/230/60/1 (M8, M9)	M5 - ANX140241AB
21	ZP29K5EPFV130	COMP,29000,208/230/60/1 (M12, M13, M14)	M6 - ANX140251AA
21	ZP49K5EPFV130	COMP,49400,208/230/60/1 (M26, M27)	M7 - ANX140251BA
21	ZP16K5EPFV130	COMPRESSOR 15500, 208/230/60/1 (M1)	M8 - ANX140301AA
21	ZP20K5EPFV130	COMPRESSOR 20000, 208/230/60/1 (M7)	M9 - ANX140301AB
21	ZP31K5EPFV130	COMPRESSOR 31100, 208/230/60/1 (M18, M19, M20, M21, M22, M23)	M10 - ANX140311AA
21	ZP38K5EPFV130	COMPRESSOR 37500, 208/230/60/1 (M24, M25)	M11 - ANX140311AB
31	0121R00005PDG	BASE PAN 26" (M1, M2, M3, M4, M5, M6, M7)	M12 - ANX140361AA
31	0121R00006PDG	BASE PAN 29" (M8, M9, M10, M11, M12, M13, M14, M15, M16, M17, M18, M19, M20, M21, M22, M23)	M13 - ANX140361AB
31	0121R00007PDG	BASE PAN 35" (M24, M25, M26, M27)	M14 - ANX140361AC
41	M0221641	TF SHOULDER SCREW (QTY 4)	M15 - ANX140371AA
51	B1339533	COMPRESSOR GROMMET (QTY 4)	M16 - ANX140371AB
61	0151R00079	BASE VALVE 3/4" (M1, M2, M3, M4, M5, M6, M7, M8, M9, M10, M11, M12, M13, M14, M15, M16, M17)	M17 - ANX140371AC
61	0151R00080	BASE VALVE 7/8" (M18, M19, M20, M21, M22, M23, M24, M25, M26, M27)	M18 - ANX140421AA
71	0151R00078	BASE VALVE 3/8"	M19 - ANX140421AB
91	0162R00009	FILTER DRIER	M20 - ANX140421AC
NS	0159R00000P	COMPRESSOR SCROLL HARNESS (M1, M2, M3, M4, M5, M6, M7)	M21 - ANX140431AA
NS	0159R00001P	COMPRESSOR SCROLL HARNESS (M8, M9, M10, M11, M12, M13, M14, M15, M16, M17, M18, M19, M20, M21, M22, M23)	M22 - ANX140431AB
NS	0159R00002P	COMPRESSOR SCROLL HARNESS (M24, M25, M26, M27)	M23 - ANX140431AC
NS	B1789852	FLOW CHECK PISTON KIT .052 (M1)	M24 - ANX140481AA
NS	B1789853	FLOW CHECK PISTON KIT .053 (M2, M3)	M25 - ANX140481AB
NS	B1789857	FLOW CHECK PISTON KIT .057 (M4, M5, M6, M7)	M26 - ANX140601AA
NS	B1789863	FLOW CHECK PISTON KIT .063 (M10, M11)	M27 - ANX140601AB
NS	B1789865	FLOW CHECK PISTON KIT .065 (M8, M9)	
NS	B1789868	FLOW CHECK PISTON KIT .068 (M12, M13, M14)	
NS	B1789871	FLOW CHECK PISTON KIT .071 (M15, M16, M17)	
NS	B1789874	FLOW CHECK PISTON KIT .074 (M18, M19, M20, M21, M22, M23)	
NS	B1789878	FLOW CHECK PISTON KIT .078 (M24, M25)	
NS	B1789888	FLOW CHECK PISTON KIT .088 (M26, M27)	