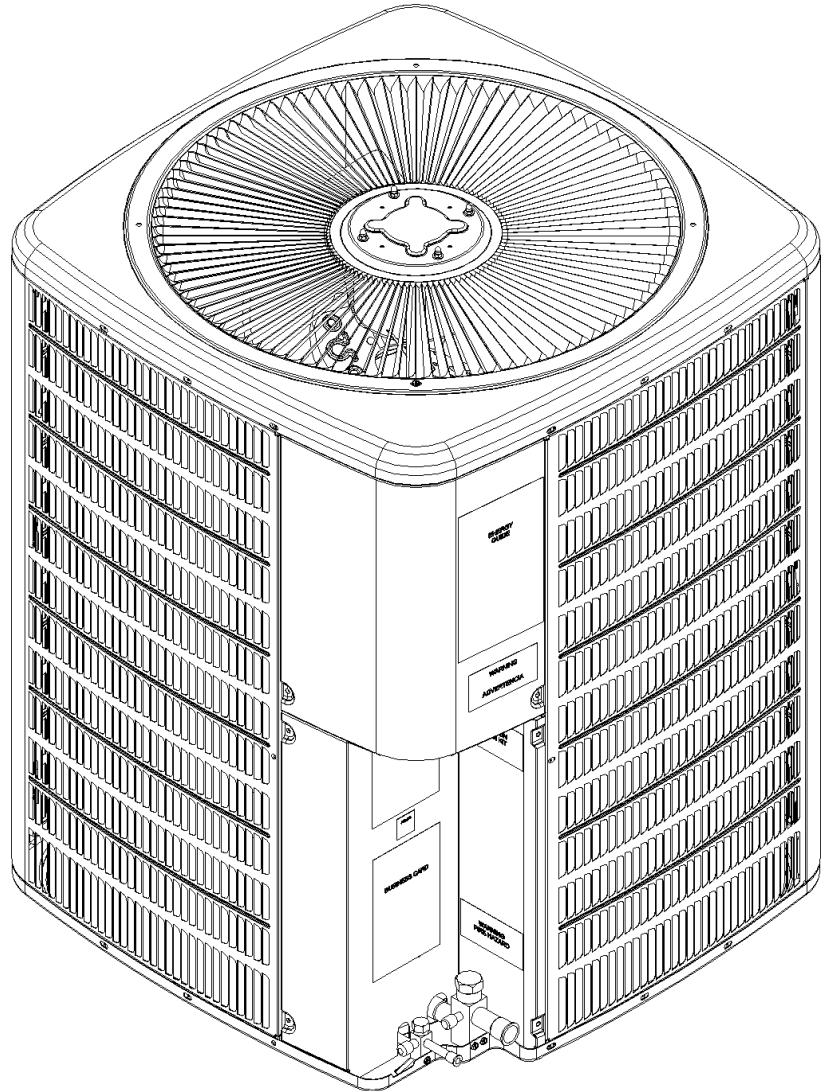


ANX13 Remote Air Conditioner

ANX130181AA
ANX130181AB
ANX130241AA
ANX130241AB
ANX130301AA
ANX130301AB
ANX130301AC
ANX130301AD
ANX130361AA
ANX130361AB
ANX130361AC
ANX130361AD
ANX130421AA
ANX130421AB
ANX130421AC
ANX130421AD
ANX130481AA
ANX130481AB
ANX130481AC
ANX130481AD
ANX130601AA
ANX130601AB
ANX130601AC
ANX130601AD
ANX130611AA
ANX130611AB
ANX130611AC



Amana® is a registered trademark of Maytag Corporation or its related companies and is used under license. All rights reserved.

This manual is to be used by qualified technicians only.

This manual replaces RP-779D.

© 2013-2016 Goodman Manufacturing Company, L.P. ♦ 5151 San Felipe St, Suite 500 ♦ Houston, TX 77056

Important Information

Index

Functional Parts List	3
Illustration and Parts	4 - 9

Views shown are for parts illustrations only, not servicing procedures

Text Codes:

AR - As Required

NA - Not Available

NS - Not Shown

00000000 - See Note

QTY - Quantity Example (QTY 3) (If Quantity not shown, Quantity = 1)

M - Model Example (M1) (If M Code not shown, then part is used on all Models)

Expanded Model Nomenclature:

Example M1 - Model#1 M2 - Model#2 M3 - Model#3

Goodman Manufacturing Company, L.P. is not responsible for personal injury or property damage resulting from improper service. Review all service information before beginning repairs.

Warranty service must be performed by an authorized technician, using authorized factory parts. If service is required after the warranty expires, Goodman Manufacturing Company, L.P. also recommends contacting an authorized technician and using authorized factory parts.

Goodman Manufacturing Company, L.P. reserves the right to discontinue, or change at any time, specifications or designs without notice or without incurring obligations.

For assistance within the U.S.A. contact:
Homeowner Support
Goodman Manufacturing Company, L.P.
19001 Kermier Road
Waller, Texas 77484
877-254-4729-Telephone
713-863-2382-Facsimile

For assistance outside the U.S.A. contact:
International Division
Goodman Manufacturing Company, L.P.
19001 Kermier Road
Waller, Texas 77484
713-861-2500-Telephone
713-863-2382-Facsimile

Functional Parts

Part

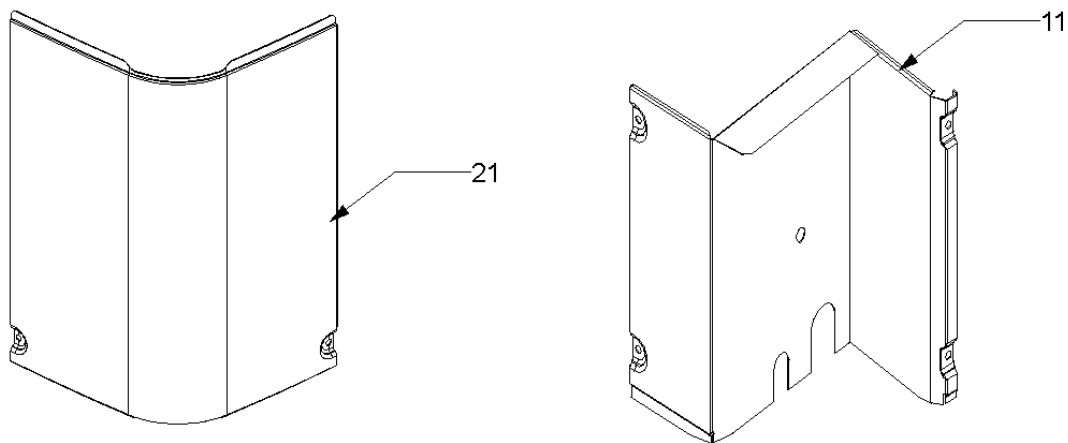
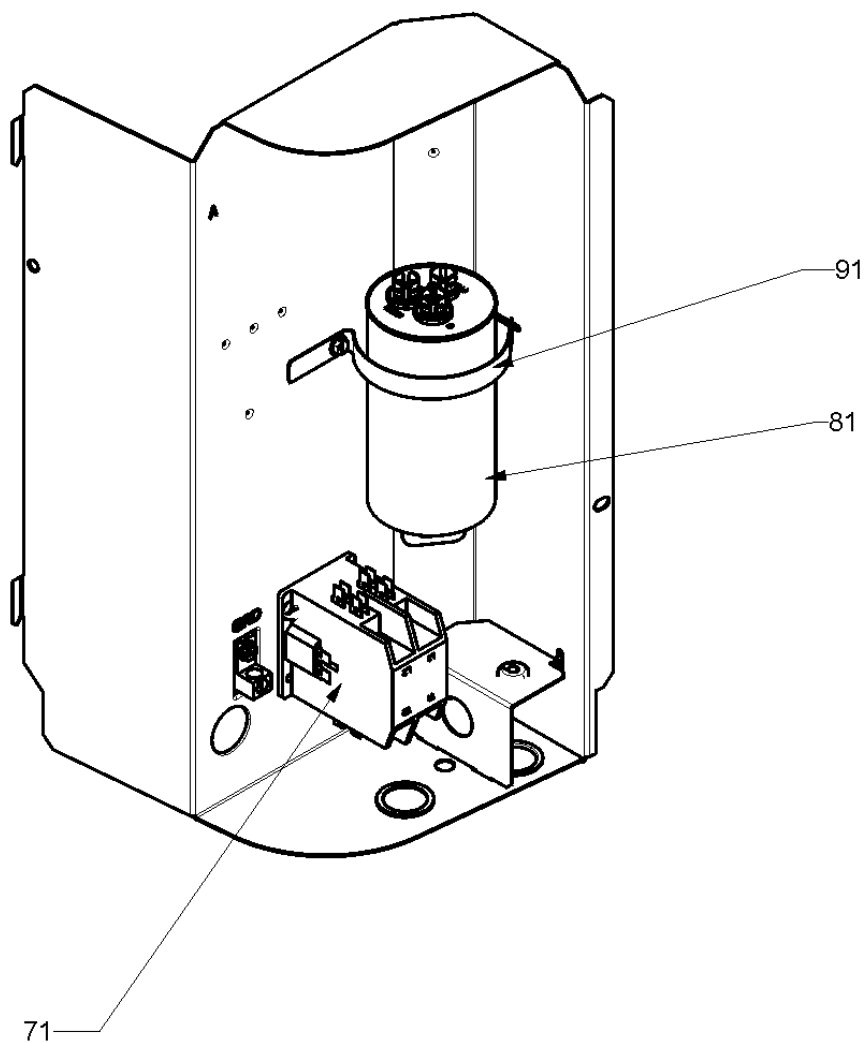
No: **Description:**

Part No:	Description:	Expanded Model Nomenclature
0151R00079	BASE VALVE 3/4" (M1, M2, M3, M4, M5, M6, M7, M8, M9, M10, M11, M12)	M1 - ANX130181AA
0151R00078	BASE VALVE 3/8"	M2 - ANX130181AB
0151R00080	BASE VALVE 7/8" (M13, M14, M15, M16, M17, M18, M19, M20, M21, M22, M23, M24, M25, M26, M27)	M3 - ANX130241AA
CAP050300440CS	CAP,5/30MFD/440V/DUAL RD (M1, M2)	M4 - ANX130241AB
CAP050350440CS	CAPACITOR 5/35/440V (M3, M4)	M5 - ANX130301AA
CAP050400440CT	CAPACITOR 5/40/440V/DUAL RD (M5, M6, M7, M8)	M6 - ANX130301AB
CAP050450440CT	CAPACITOR 5/45/440V/DUAL RD (M9, M10, M11, M12, M13, M14, M15, M16, M17, M18, M19, M20)	M7 - ANX130301AC
CAP050700440CT	CAPACITOR 5/70/440V/DUAL RD (M21, M22, M23, M24, M25, M26, M27)	M8 - ANX130301AD
ZP49K5EPFV130	COMP,49400,208/230/60/1 (M21, M22, M23, M24)	M9 - ANX130361AA
ZP16K5EPFV130	COMPRESSOR 15500, 208/230/60/1 (M1, M2)	M10 - ANX130361AB
ZP20K5EPFV130	COMPRESSOR 20000, 208/230/60/1 (M3, M4)	M11 - ANX130361AC
ZP24K5EPFV130	COMPRESSOR 24000, 208/230/60/1 (M5, M6, M7, M8)	M12 - ANX130361AD
ZP29K5EPFV130	COMPRESSOR 29000, 208/230/60/1 (M9, M10, M11, M12)	M13 - ANX130421AA
ZP34K5EPFV130	COMPRESSOR 34500, 208/230/60/1 (M13, M14, M15, M16)	M14 - ANX130421AB
ZP39K5EPFV130	COMPRESSOR 39000, 208/230/60/1 (M17, M18, M19, M20)	M15 - ANX130421AC
ZP51K5EPFV130	COMPRESSOR 51000, 208/230/60/1 (M25, M26, M27)	M16 - ANX130421AD
0131M00018P	COND MOTOR 1/4 HP, 1 SP, 6 PL (M9, M10, M11, M12, M13, M14, M15, M16, M17, M18, M19, M20, M21, M22, M23, M24)	M17 - ANX130481AA
0131M00061	COND MOTOR 1/4 HP, 1 SP, 8 PL (M25, M26, M27)	M18 - ANX130481AB
0131M00266	COND MOTOR 1/8 HP, 8 PL, PSC (M1, M2, M3, M4)	M19 - ANX130481AC
0131M00294	COND MOTOR, 1/8HP, ISP, 6PL (M5, M6, M7, M8)	M20 - ANX130481AD
CONT1P025024V	CONTACTOR 25 AMP, 1P, 24V (M1, M2, M3, M4, M5, M6, M7, M8, M9, M10, M11, M12, M13, M14, M15, M16)	M21 - ANX130601AA
CONT1P030024V	CONTACTOR 30 AMP, 1P, 24V (M17, M18, M19, M20, M21, M22, M23, M24, M25, M26, M27)	M22 - ANX130601AB
0150M00041	FAN BLADE (M9, M10, M11, M12)	M23 - ANX130601AC
0150M00018	FAN BLADE 20" (M1, M2, M3, M4, M5, M6, M7, M8)	M24 - ANX130601AD
B1086750	FAN BLADE 22", 3 BLADE, 24° (M13, M14, M15, M16, M17, M18, M19, M20, M21, M22, M23, M24)	M25 - ANX130611AA
10625738	FAN BLADE 26" ALUM CCW (M25, M26, M27)	M26 - ANX130611AB
		M27 - ANX130611AC

SPECIAL PARTS

0161R00010P AMANA NAMEPLATE

Control Box Assy



Control Box Assy

Ref. Part No:	No:	Description:	Ref. Part No:	No:	Description:
Image 1:					
11	0121R00316PDG	PANEL, LOWER ACCESS PNT (M21, M22, M23, M24)			
11	0121R00319PDG	PANEL, LOWER ACCESS PNT (M13, M14, M15, M16, M17, M18, M19, M20, M25, M26, M27)			
11	0121R00326PDG	PANEL, LOWER ACCESS PNT (M1, M2, M3, M4, M5, M6, M7, M8, M9, M10, M11, M12)			
21	0121R00053PDG	CONTROL COVER			
71	CONT1P025024V	CONTACTOR 25 AMP, 1P, 24V (M1, M2, M3, M4, M5, M6, M7, M8, M9, M10, M11, M12, M13, M14, M15, M16)			
71	CONT1P030024V	CONTACTOR 30 AMP, 1P, 24V (M17, M18, M19, M20, M21, M22, M23, M24, M25, M26, M27)			
81	CAP050300440CS	CAP,5/30MFD/440V/DUAL RD (M1, M2)			
81	CAP050350440CS	CAPACITOR 5/35/440V (M3, M4)			
81	CAP050400440CT	CAPACITOR 5/40/440V/DUAL RD (M5, M6, M7, M8)			
81	CAP050450440CT	CAPACITOR 5/45/440V/DUAL RD (M9, M10, M11, M12, M13, M14, M15, M16, M17, M18, M19, M20)			
81	CAP050700440CT	CAPACITOR 5/70/440V/DUAL RD (M21, M22, M23, M24, M25, M26, M27)			
91	4400065	CAPACITOR STRAP			
NS	0161R00010P	AMANA NAMEPLATE			

Expanded Model Nomenclature

- M1 - ANX130181AA
- M2 - ANX130181AB
- M3 - ANX130241AA
- M4 - ANX130241AB
- M5 - ANX130301AA
- M6 - ANX130301AB
- M7 - ANX130301AC
- M8 - ANX130301AD
- M9 - ANX130361AA
- M10 - ANX130361AB
- M11 - ANX130361AC
- M12 - ANX130361AD
- M13 - ANX130421AA
- M14 - ANX130421AB
- M15 - ANX130421AC
- M16 - ANX130421AD
- M17 - ANX130481AA
- M18 - ANX130481AB
- M19 - ANX130481AC
- M20 - ANX130481AD
- M21 - ANX130601AA
- M22 - ANX130601AB
- M23 - ANX130601AC
- M24 - ANX130601AD
- M25 - ANX130611AA
- M26 - ANX130611AB
- M27 - ANX130611AC

Compressor Tubing Assembly / Condenser

IMAGE 1

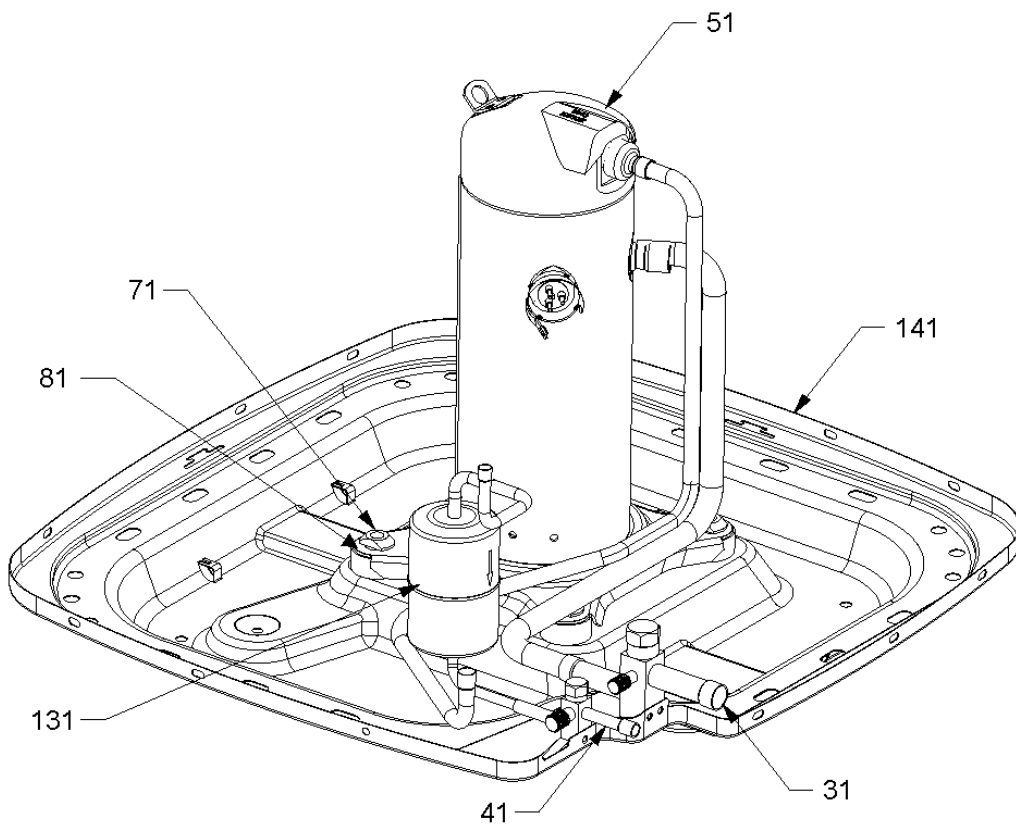
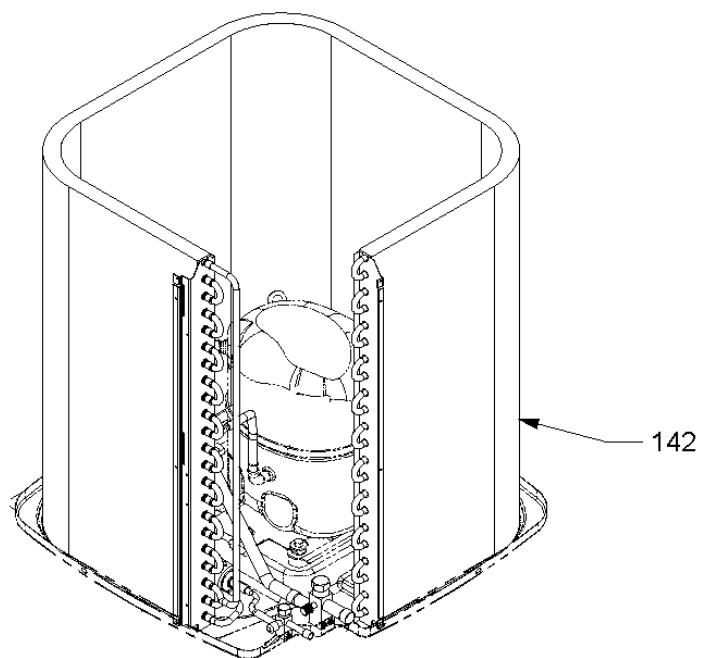


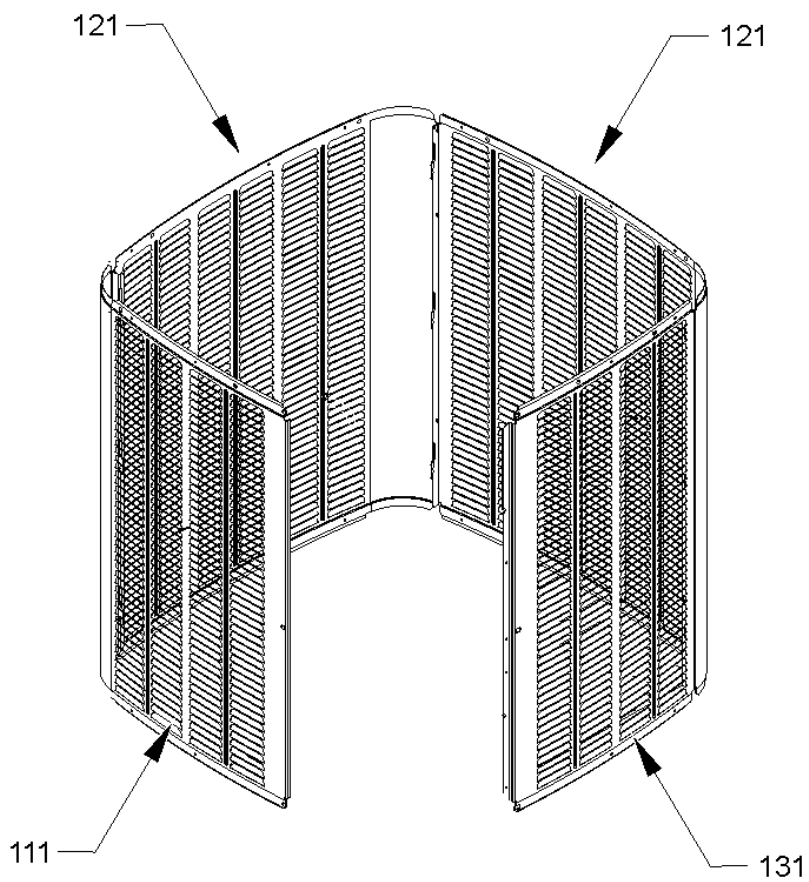
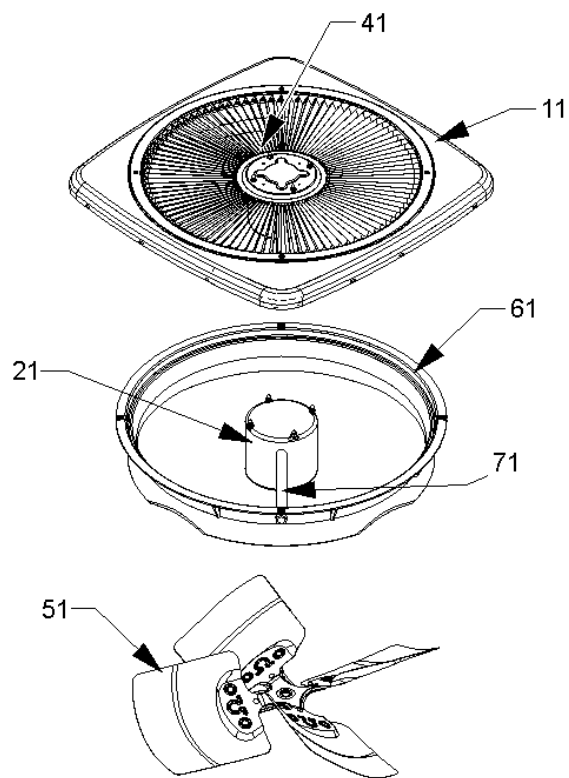
IMAGE 2



Compressor Tubing Assembly / Condenser

Ref. Part No:	Description:	Ref. Part No:	Description:
Image 1:		Expanded Model Nomenclature	
31	0151R00079 BASE VALVE 3/4" (M1, M2, M3, M4, M5, M6, M7, M8, M9, M10, M11, M12)	M1 - ANX130181AA	
31	0151R00080 BASE VALVE 7/8" (M13, M14, M15, M16, M17, M18, M19, M20, M21, M22, M23, M24, M25, M26, M27)	M2 - ANX130181AB	
41	0151R00078 BASE VALVE 3/8"	M3 - ANX130241AA	
51	ZP49K5EPFV130 COMP,49400,208/230/60/1 (M21, M22, M23, M24)	M4 - ANX130241AB	
51	ZP16K5EPFV130 COMPRESSOR 15500, 208/230/60/1 (M1, M2)	M5 - ANX130301AA	
51	ZP20K5EPFV130 COMPRESSOR 20000, 208/230/60/1 (M3, M4)	M6 - ANX130301AB	
51	ZP24K5EPFV130 COMPRESSOR 24000, 208/230/60/1 (M5, M6, M7, M8)	M7 - ANX130301AC	
51	ZP29K5EPFV130 COMPRESSOR 29000, 208/230/60/1 (M9, M10, M11, M12)	M8 - ANX130301AD	
51	ZP34K5EPFV130 COMPRESSOR 34500, 208/230/60/1 (M13, M14, M15, M16)	M9 - ANX130361AA	
51	ZP39K5EPFV130 COMPRESSOR 39000, 208/230/60/1 (M17, M18, M19, M20)	M10 - ANX130361AB	
51	ZP51K5EPFV130 COMPRESSOR 51000, 208/230/60/1 (M25, M26, M27)	M11 - ANX130361AC	
71	M0221641 TF SHOULDER SCREW (QTY 4)	M12 - ANX130361AD	
81	B1339533 COMPRESSOR GROMMET (QTY 4)	M13 - ANX130421AA	
131	0162R00009 FILTER DRIER	M14 - ANX130421AB	
141	0121R00005PDG BASE PAN 26" (M1, M2, M3, M4, M5, M6, M7, M8, M9, M10, M11, M12)	M15 - ANX130421AC	
141	0121R00006PDG BASE PAN 29" (M13, M14, M15, M16, M17, M18, M19, M20, M21, M22, M23, M24)	M16 - ANX130421AD	
141	0121R00007PDG BASE PAN 35" (M25, M26, M27)	M17 - ANX130481AA	
NS	0159R00000P COMPRESSOR SCROLL HARNESS (M1, M2, M3, M4, M5, M6, M7, M8, M9, M10, M11, M12)	M18 - ANX130481AB	
NS	0159R00001P COMPRESSOR SCROLL HARNESS (M13, M14, M15, M16, M17, M18, M19, M20)	M19 - ANX130481AC	
NS	0159R00002P COMPRESSOR SCROLL HARNESS (M21, M22, M23, M24, M25, M26, M27)	M20 - ANX130481AD	
		M21 - ANX130601AA	
		M22 - ANX130601AB	
		M23 - ANX130601AC	
		M24 - ANX130601AD	
		M25 - ANX130611AA	
		M26 - ANX130611AB	
		M27 - ANX130611AC	
Image 2:			
142	0201R00268 TUBING ASSY, COND COIL (M1, M3)		
142	0201R00274 TUBING ASSY, COND COIL (M13, M17)		
142	0201R00311 TUBING ASSY, COND COIL (M25)		
142	0201R00463 TUBING ASSY, COND COIL (M21)		
142	0201R00492 TUBING ASSY, COND COIL (M5, M9)		
142	0201R00623 TUBING ASSY, COND COIL (M2, M4)		
142	0201R00624 TUBING ASSY, COND COIL (M6, M7, M8, M10, M11, M12)		
142	0201R00625 TUBING ASSY, COND COIL (M14, M15, M16, M18, M19, M20)		
142	0201R00626 TUBING ASSY, COND COIL (M22, M23, M24)		
142	0201R00627 TUBING ASSY, COND COIL (M26, M27)		
NS	B1789886 FLOW CHECK PISTON KIT (M21, M22, M23, M24, M25, M26, M27)		
NS	B1789851 FLOW CHECK PISTON KIT .051 (M1, M2)		
NS	B1789857 FLOW CHECK PISTON KIT .057 (M3, M4)		
NS	B1789861 FLOW CHECK PISTON KIT .061 (M5, M6, M7, M8)		
NS	B1789870 FLOW CHECK PISTON KIT .070 (M9, M10, M11, M12)		
NS	B1789876 FLOW CHECK PISTON KIT .076 (M13, M14, M15, M16)		
NS	B1789880 FLOW CHECK PISTON KIT .080 (M17, M18, M19, M20)		

Cabinet Top / Side Panels



Cabinet Top / Side Panels

Ref. Part No: No:	Description:	Ref. Part No: No:	Description:
Image 1:		Expanded Model Nomenclature	
11	0121R00269PDG	PANEL, TOP 35" PNT (M25, M26, M27)	M1 - ANX130181AA
11	0121R00008PDG	TOP PANEL 26" (M1, M2, M3, M4, M5, M6, M7, M8, M9, M10, M11, M12)	M2 - ANX130181AB
11	0121R00010PDG	TOP PANEL 29" (M13, M14, M15, M16, M17, M18, M19, M20, M21, M22, M23, M24)	M3 - ANX130241AA
21	0131M00018P	COND MOTOR 1/4 HP, 1 SP, 6 PL (M9, M10, M11, M12, M13, M14, M15, M16, M17, M18, M19, M20, M21, M22, M23, M24)	M4 - ANX130241AB
21	0131M00061	COND MOTOR 1/4 HP, 1 SP, 8 PL (M25, M26, M27)	M5 - ANX130301AA
21	0131M00266	COND MOTOR 1/8 HP, 8 PL, PSC (M1, M2, M3, M4)	M6 - ANX130301AB
21	0131M00294	COND MOTOR, 1/8HP, ISP, 6PL (M5, M6, M7, M8)	M7 - ANX130301AC
41	0163M00006P	ACORN NUT 5/16 HEX BLACK (QTY 4)	M8 - ANX130301AD
51	0150M00041	FAN BLADE (M9, M10, M11, M12)	M9 - ANX130361AA
51	0150M00018	FAN BLADE 20" (M1, M2, M3, M4, M5, M6, M7, M8)	M10 - ANX130361AB
51	B1086750	FAN BLADE 22", 3 BLADE, 24° (M13, M14, M15, M16, M17, M18, M19, M20, M21, M22, M23, M24)	M11 - ANX130361AC
51	10625738	FAN BLADE 26" ALUM CCW (M25, M26, M27)	M12 - ANX130361AD
61	0161L00000	VENTURI RING 22" (M13, M14, M15, M16, M17, M18, M19, M20, M21, M22, M23, M24)	M13 - ANX130421AA
61	0161R00007P	VENTURI RING 35" (M25, M26, M27)	M14 - ANX130421AB
71	0161R00001P	CONDUIT (M1, M2, M3, M4, M5, M6, M7, M8, M9, M10, M11, M12)	M15 - ANX130421AC
71	0161R00002P	CONDUIT (M13, M14, M15, M16, M17, M18, M19, M20, M21, M22, M23, M24)	M16 - ANX130421AD
71	0161R00004P	CONDUIT (M25, M26, M27)	M17 - ANX130481AA
111	0121R00203PLGB	LOUVERED SIDE PANEL (M21, M22, M23, M24)	M18 - ANX130481AB
111	0121R00202PLGB	LOUVERED SIDE PANEL [LT OF CNTL PNL] (M13, M14, M15, M16, M17, M18, M19, M20)	M19 - ANX130481AC
111	0121R00207PLGB	LOUVERED SIDE PANEL [LT OF CNTL PNL] (M1, M2, M3, M4, M5, M6, M7, M8, M9, M10, M11, M12)	M20 - ANX130481AD
111	0121R00239PLGB	LOUVERED SIDE PANEL [LT OF CNTL PNL] (M25, M26, M27)	M21 - ANX130601AA
121	0121R00198PLGB	LOUVERED SIDE PANEL (M1, M2, M3, M4, M5, M6, M7, M8, M9, M10, M11, M12)	M22 - ANX130601AB
121	0121R00205PLGB	LOUVERED SIDE PANEL (M13, M14, M15, M16, M17, M18, M19, M20)	M23 - ANX130601AC
121	0121R00206PLGB	LOUVERED SIDE PANEL (M21, M22, M23, M24)	M24 - ANX130601AD
121	0121R00243PLGB	LOUVERED SIDE PANEL (M25, M26, M27)	M25 - ANX130611AA
131	0121R00194PLG	LOUVERED SIDE PANEL [RT OF CNTL PNL] (M13, M14, M15, M16, M17, M18, M19, M20)	M26 - ANX130611AB
131	0121R00195PLG	LOUVERED SIDE PANEL [RT OF CNTL PNL] (M21, M22, M23, M24)	M27 - ANX130611AC
131	0121R00196PLG	LOUVERED SIDE PANEL [RT OF CNTL PNL] (M1, M2, M3, M4, M5, M6, M7, M8, M9, M10, M11, M12)	
131	0121R00247PLG	LOUVERED SIDE PANEL [RT OF CNTL PNL] (M25, M26, M27)	