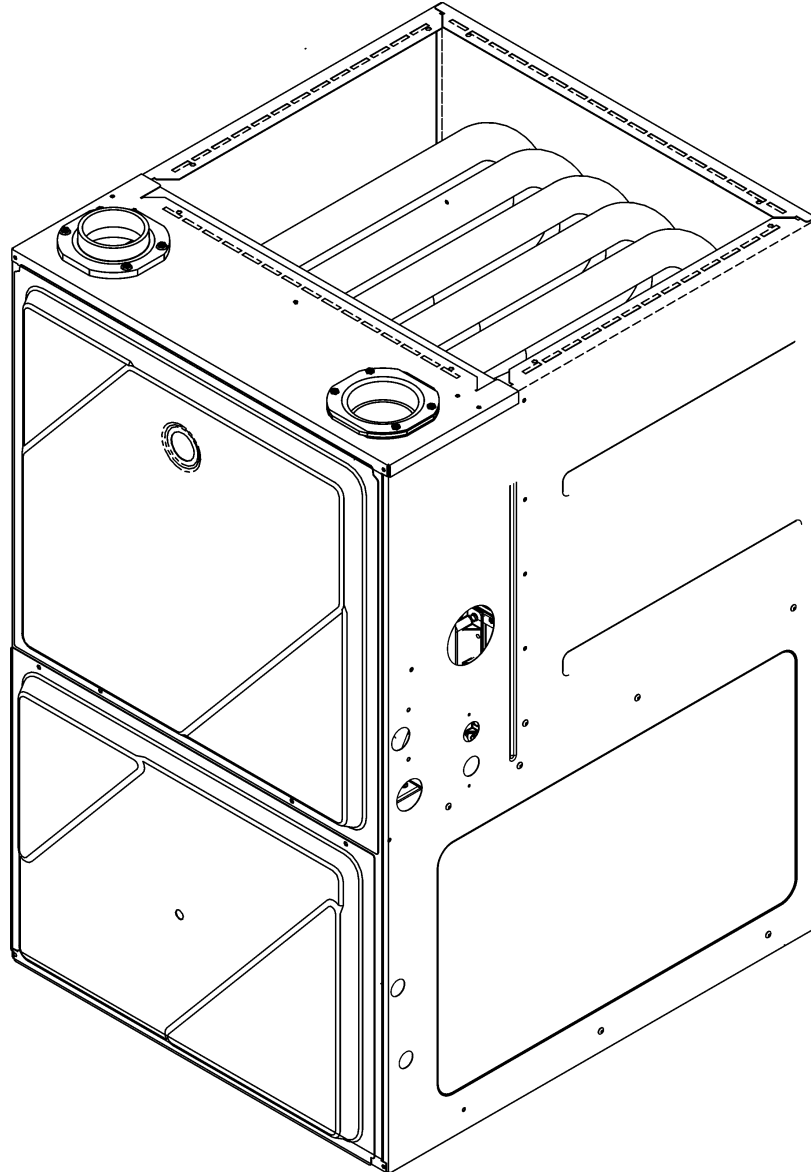


AMVM97 97% ECM Up Flow Furnace

AMVM970603BNAA
AMVM970803BNAA
AMVM970804CNAA
AMVM971005CNAA
AMVM971205DNAA



Amana is a registered trademark of Maytag Corporation or its related companies and is used under license to Goodman Company, L.P., Houston, TX. All rights reserved.

This manual is to be used by qualified technicians only.

This manual replaces RP-A2003.

© 2009 Goodman Company, L.P. ♦ 5151 San Felipe St., Suite 500 ♦ Houston, TX 77056

Important Information

Index

Functional Parts List	3
Illustration and Parts	4 - 11

Views shown are for parts illustrations only, not servicing procedures

Short 90% Gas Furnace Project

Text Codes:

AR - As Required

NA - Not Available

NS - Not Shown

00000000 - See Note

QTY - Quantity Example (QTY 3) (If Quantity not shown, Quantity = 1)

M - Model Example (M1) (If M Code not shown, then part is used on all Models)

Expanded Model Nomenclature:

Example M1 - Model#1 M2 - Model#2 M3 - Model#3

Goodman Company, L.P. is not responsible for personal injury or property damage resulting from improper service. Review all service information before beginning repairs.

Warranty service must be performed by an authorized technician, using authorized factory parts. If service is required after the warranty expires, Goodman Company, L.P. also recommends contacting an authorized technician and using authorized factory parts.

Goodman Company, L.P. reserves the right to discontinue, or change at any time, specifications or designs without notice or without incurring obligations.

For assistance within the U.S.A. contact:

Consumer Affairs Department
Goodman Company, L.P.
7401 Security Way
Houston, Texas 77040
877-254-4729-Telephone
713-863-2382-Facsimile

For assistance outside the U.S.A. contact:

International Division
Goodman Company, L.P.
7401 Security Way
Houston, Texas 77040
713-861-2500-Telephone
713-863-2382-Facsimile

Functional Parts

Part

No: Description:

0163F00017	BECKETT BURNER (QTY 3)
0271F00159	BLOWER SHELL & WHEEL ASSY (M1, M2)
0271F00161	BLOWER SHELL & WHEEL ASSY (M3, M4)
0271F00163	BLOWER SHELL & WHEEL ASSY (M5)
0130F00345	DATA, FURNACE PCB (M5)
0130F00341	DATA, FURNACE PCB (M1)
0130F00342	DATA, FURNACE PCB (M2)
0130F00343	DATA, FURNACE PCB (M3)
0130F00344	DATA, FURNACE PCB (M4)
0130F00010	FLAME SENSOR
0151M00024	GAS VALVE
0257F00309	HEAT EXCHANGER ASSY. (M5)
0257F00308	HEAT EXCHANGER ASSY. (M4)
0257F00307	HEAT EXCHANGER ASSY. (M3)
0257F00305	HEAT EXCHANGER ASSY. (M1)
0257F00306	HEAT EXCHANGER ASSY. (M2)
0130F00008	IGNITOR-SINI 17 SEC
0130M00141	INDUCTOR, 5.9 AMPS (GMPE100-4) (M3, M4, M5)
10123529	MANUAL RESET LIMIT (QTY 2)
0131M00272	MOTOR, 1 HP, SERIAL ECM (M4, M5)
0131M00270	MOTOR, 1/2 HP, SERIAL ECM (M1, M2)
0131M00271	MOTOR, 3/4 HP, SERIAL ECM (M3)
PCBKF201	PCB, FURNACE CONTROL
0130F00483	PRESSURE, SWITCH (M4, M5)
0130F00482	PRESSURE, SWITCH (M1, M2, M3)
20162903	PRIMARY LIMIT - BLUE (M3, M4)
0130F00038	PRIMARY LIMIT - LT BLUE 120° (QTY 2)
0130F00036	PRIMARY LIMIT - PINK (M5)
20162906	PRIMARY LIMIT - WHITE (M2)
20162904	PRIMARY LIMIT-TEMPERATURE CONTROL (M1)
0130F00481	SWITCH, PRESSURE
0130M00140	TRANSFORMER,(120V TO 24V,40VA,

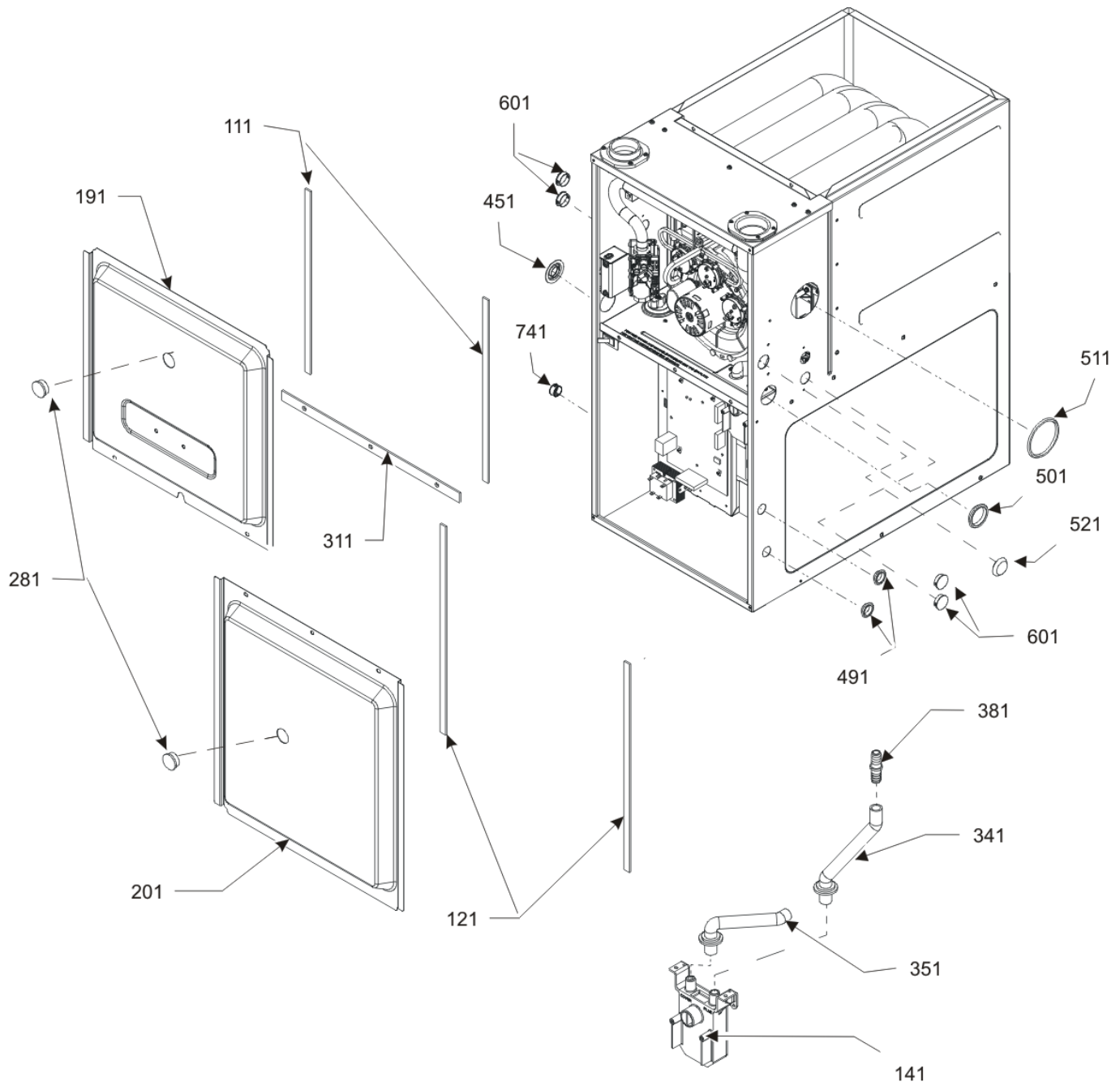
SPECIAL PARTS

0161M00003P AMANA NAMEPLATE

Expanded Model Nomenclature

M1 - AMVM970603BNAA
M2 - AMVM970803BNAA
M3 - AMVM970804CNAA
M4 - AMVM971005CNAA
M5 - AMVM971205DNAA

Cabinet



Cabinet

Ref. Part No: No:	Description:	Ref. Part No: No:	Description:
Image 1:			
111 0154F00024	GASKET (QTY 2)		
121 0154F00025	GASKET (QTY 2)		
141 0161F00046	DRAIN TRAP		
191 0121F00338LG	DOOR ACCESS 21" PNT (M3, M4)		
191 0121F00337LG	DOOR, ACCESS 17.5" PNT (M1, M2)		
191 0121F00339LG	DOOR, ACCESS 24.5" PNT (M5)		
201 0121F00340LG	DOOR, BLOWER 17.5" PNT (M1, M2)		
201 0121F00341LG	DOOR, BLOWER 21" PNT (M3, M4)		
201 0121F00342LG	DOOR, BLOWER 24.5" PNT (M5)		
281 B1392139	VIEW PORT BUSHING-BLOWER DOOR (QTY 2)		
311 0154F00020	GASKET, DECK (M1, M2)		
311 0154F00021	GASKET, DECK (M3, M4)		
311 0154F00022	GASKET, DECK (M5)		
341 0164F00017	HOSE-ELBOW/TRAP		
351 0164F00006	HOSE, COVER/TRAP		
381 0161F00047	COUPLING, HOSE BARBED		
451 M0501301	PIPE GROMMET		
491 M0570808	BUTTON PLUG (QTY 3)		
501 M0570806	BUTTON PLUG		
511 M0570807	BUTTON PLUG		
521 0161M00027	PLUG, HOLE		
601 B1392021	PLASTIC PLUG, 1" (2713-BLK) (QTY 4)		
741 B1392104	UNIVERSAL BUSHING UB 875		
NS 0161M00003P	AMANA NAMEPLATE		
NS 0270F03138	BAG ASSY UF		
NS M0310345	BUTTON PLUG (QTY 2)		
NS 0270F03140	DRAIN PART BAG ASSY UF		
NS 0163M00049	HOSE CLAMP (QTY 3)		
NS M0209730	SCREW-DECORATIVE (QTY 3)		

Expanded Model Nomenclature

M1 - AMVM970603BNAA
M2 - AMVM970803BNAA
M3 - AMVM970804CNAA
M4 - AMVM971005CNAA
M5 - AMVM971205DNAA

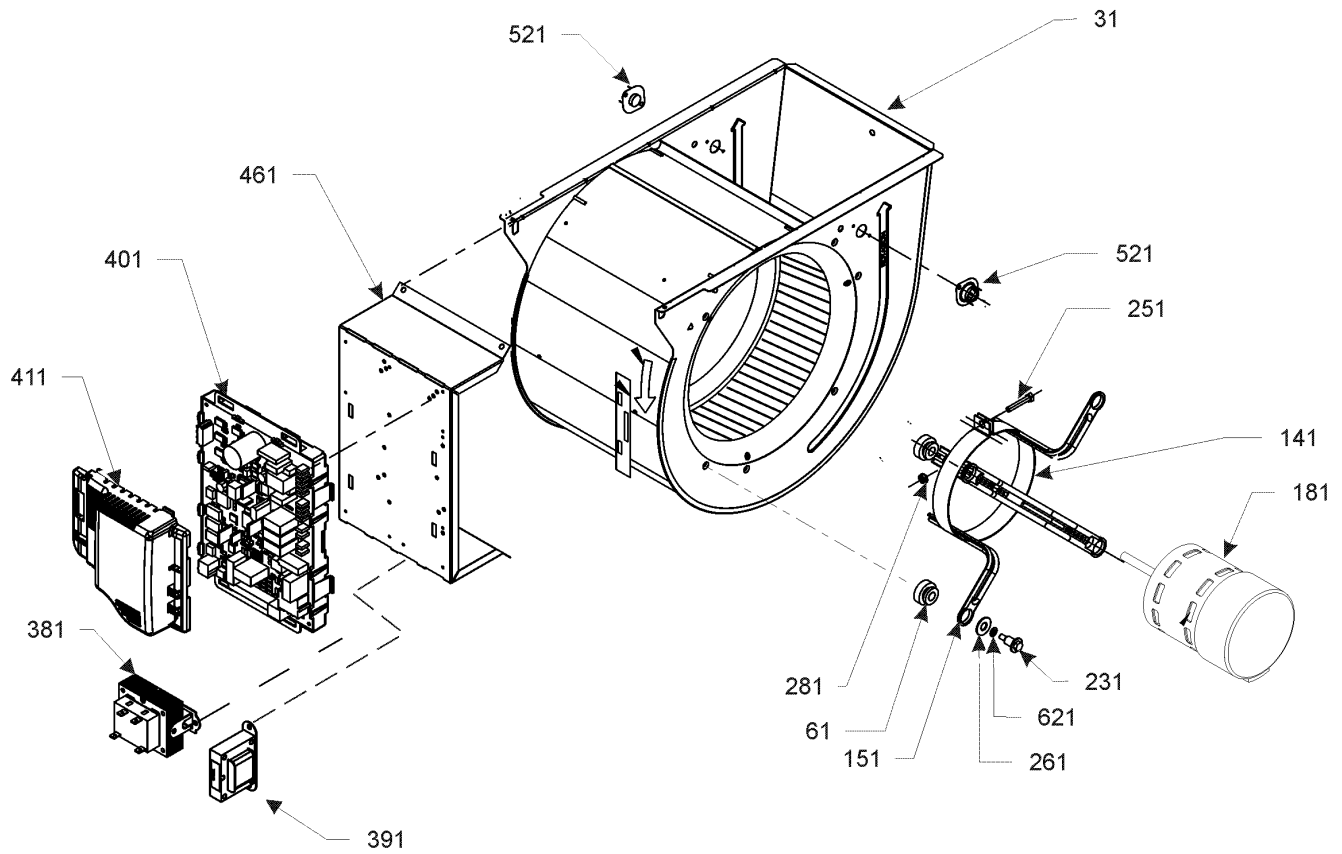
Blower Assembly

*If end bells are needed please order the following:

0131M00182 - 1/2 HP

0131M00183 - 3/4 HP

0131M00184 - 1 HP



Blower Assembly

Ref. Part No: No:	Description:	Ref. Part No: No:	Description:
<i>Image 1:</i>			
31	0271F00159		BLOWER SHELL & WHEEL ASSY (M1, M2)
31	0271F00161		BLOWER SHELL & WHEEL ASSY (M3, M4)
31	0271F00163		BLOWER SHELL & WHEEL ASSY (M5)
61	A4002702		BLOWER MOTOR GROMMET (M3, M4, M5)
141	0121M00038		MOTOR MOUNT BAND (M1, M2)
141	10441601		MOTOR MOUNT BAND (M3, M4, M5)
151	10441501		MOTOR MOUNT ARM (M3, M4, M5)
151	B1376857		MOTOR MOUNT ARM (M1, M2)
181	0131M00272		MOTOR, 1 HP, SERIAL ECM (M4, M5)
181	0131M00270		MOTOR, 1/2 HP, SERIAL ECM (M1, M2)
181	0131M00271		MOTOR, 3/4 HP, SERIAL ECM (M3)
231	M0221461		TC SCREW (M3, M4, M5)
231	M0250565		TC SCREW 1.25" (M1, M2)
251	M0267144		MACHINE SCREW (M3, M4, M5)
251	B1393323		MACHINE SCREW HWH 1/4-20 X 1-1/2 BZ (M1, M2)
261	B1392918		WASHER, FLAT 1/4 ID X 1 OD (M1, M2)
261	M0274008		WASHER-FLAT (M3, M4, M5)
281	M0282015		KEPS NUT (M3, M4, M5)
281	B1393800		LOCKNUT, NYLON, INSERT 1/4, 20 (M1, M2)
381	0130M00140		TRANSFORMER,(120V TO 24V,40VA,
391	0130M00141		INDUCTOR, 5.9 AMPS (GMPE100-4) (M3, M4, M5)
401	PCBKF201		PCB, FURNACE CONTROL
411	0161F00014		COVER, CONTROL BOARD
461	0121F00464		MOUNTING PLATE-CONTROLS
521	0130F00038		PRIMARY LIMIT - LT BLUE 120° (QTY 2)
621	B1392820		WASHER, SPLIT LOCK 1/4 BZ (M3, M4, M5)
NS	0259F00040		CONTROL HARNESS
NS	0130F00341		DATA, FURNACE PCB (M1)
NS	0130F00342		DATA, FURNACE PCB (M2)
NS	0130F00343		DATA, FURNACE PCB (M3)
NS	0130F00344		DATA, FURNACE PCB (M4)
NS	0130F00345		DATA, FURNACE PCB (M5)
NS	0259F00041		POWER HARNESS HIGH VOLTAGE
NS	0259F00024		WIRE HARNESS-BLOWER

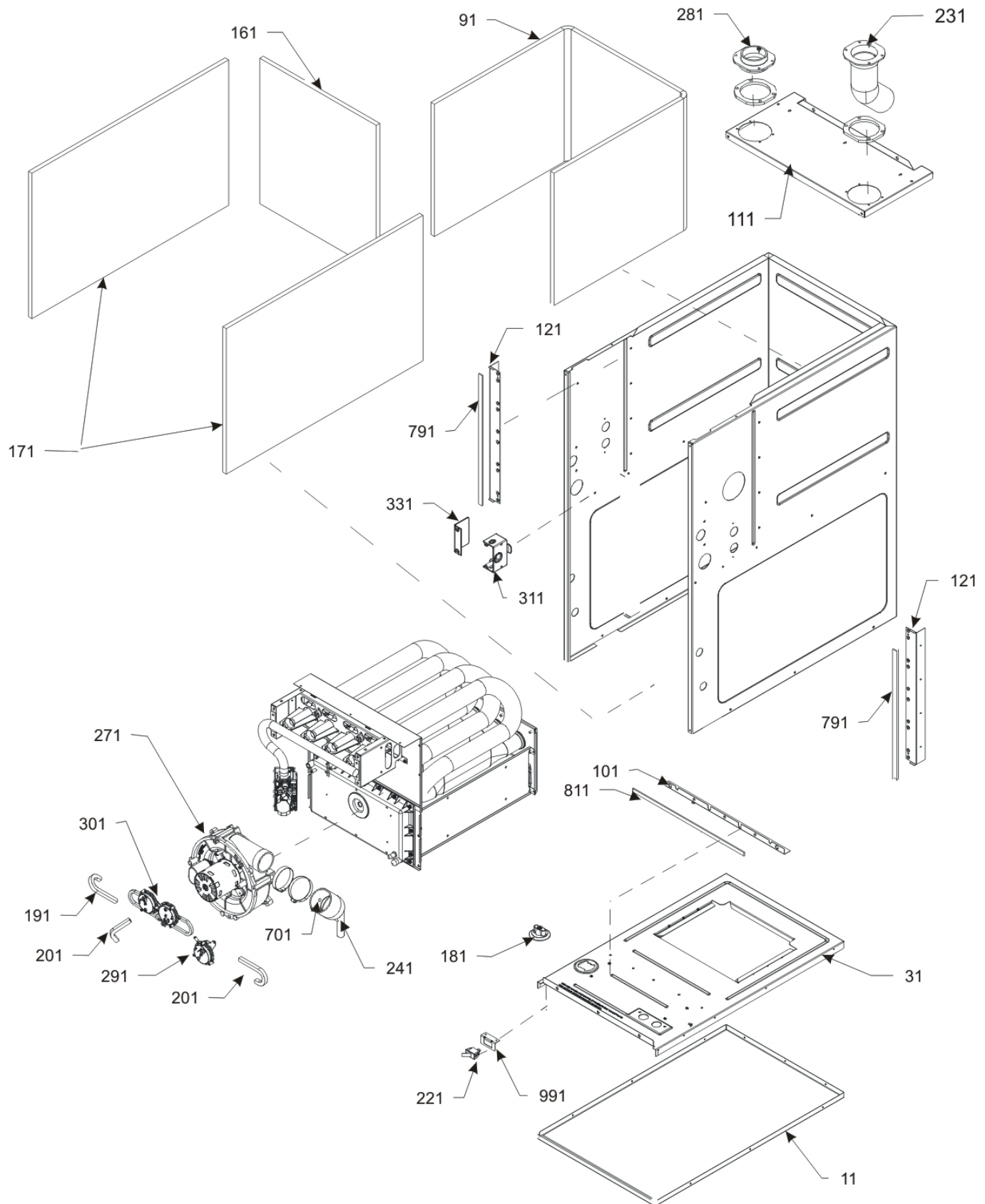
Expanded Model Nomenclature

- | |
|---------------------|
| M1 - AMVM970603BNAA |
| M2 - AMVM970803BNAA |
| M3 - AMVM970804CNAA |
| M4 - AMVM971005CNAA |
| M5 - AMVM971205DNAA |

*If end bells are needed please order the following:

- 0131M00182 - 1/2 HP
- 0131M00183 - 3/4 HP
- 0131M00184 - 1 HP

Chassis



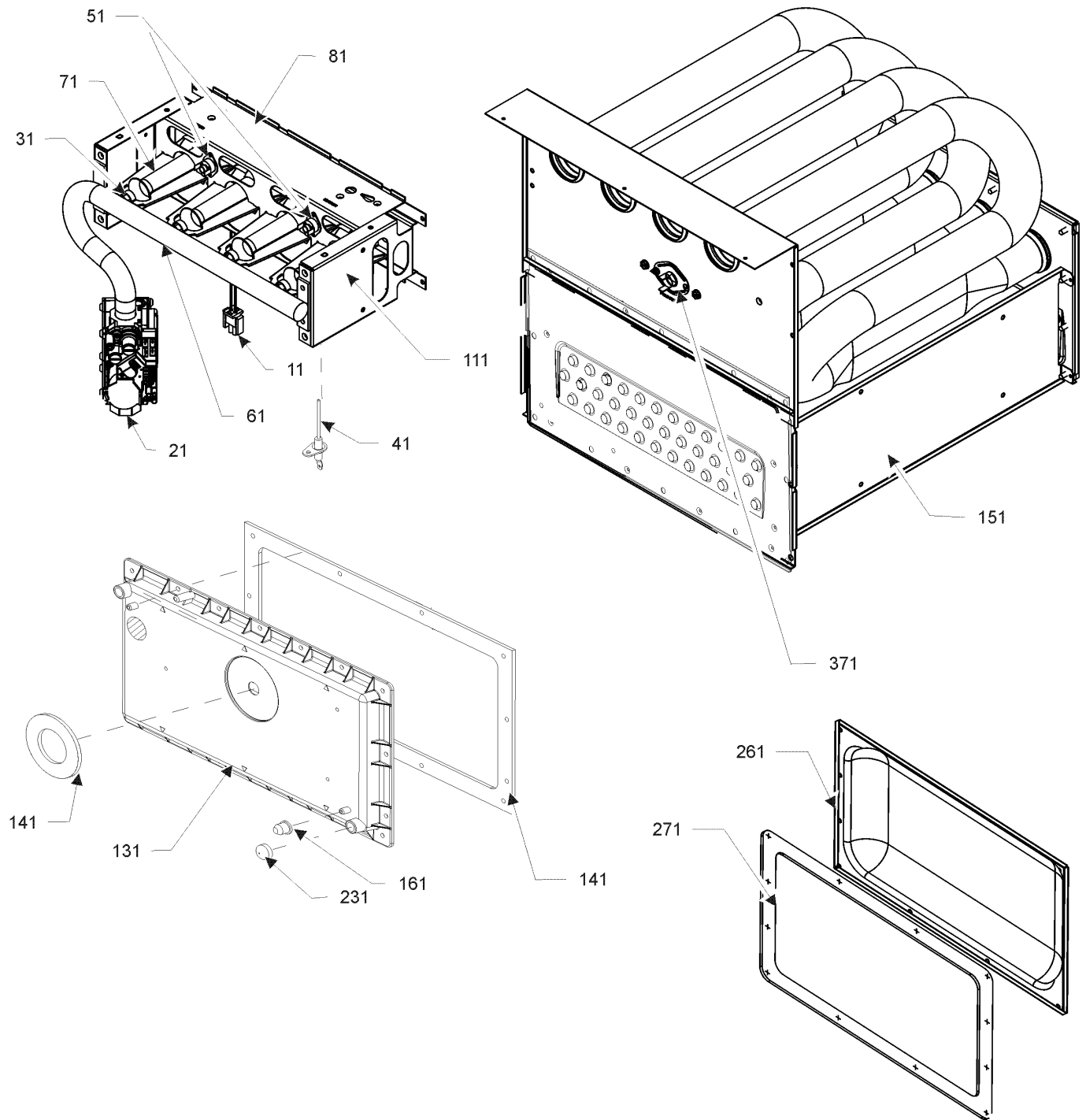
Chassis

Ref. Part No:	No:	Description:	Ref. Part No:	No:	Description:
Image 1:					
11	0121F00386DG	BASEPAN, UPFLOW PNT (M1, M2)			
11	0121F00387DG	BASEPAN, UPFLOW PNT (M3, M4)			
11	0121F00388DG	BASEPAN, UPFLOW PNT (M5)			
31	0121F00285	DECK, BLOWER 17.5 (M1, M2)			
31	0121F00286	DECK, BLOWER 21 (M3, M4)			
31	0121F00287	DECK, BLOWER 24.5 (M5)			
91	0160F00015	INSULATION, HT EXCHANGER 17.5" (M1, M2)			
91	0160F00016	INSULATION, HT EXCHANGER 21" (M3, M4)			
91	0160F00017	INSULATION, HT EXCHANGER 24.5" (M5)			
101	0121F00314	ANGLE, DECK (M1, M2)			
101	0121F00315	ANGLE, DECK (M3, M4)			
101	0121F00316	ANGLE, DECK (M5)			
111	0121F00279DG	PAINTED TOP, FURNACE 17.5 (M1, M2)			
111	0121F00280DG	PAINTED TOP, FURNACE 21 (M3, M4)			
111	0121F00281DG	PAINTED TOP, FURNACE 24.5 (M5)			
121	0121F00313	ANGLE, SIDE (QTY 2)			
161	0160F00012	INSULATION-BACK 17.5" (M1, M2)			
161	0160F00013	INSULATION-BACK 21" (M3, M4)			
161	0160F00014	INSULATION-BACK 24.5" (M5)			
171	0160F00018	INSULATION, SIDE (QTY 2)			
181	0159F00048	HARNESS-WIRING (M1, M2)			
181	0159F00049	HARNESS-WIRING (M3, M4, M5)			
191	0164M00031	14" PRESSURE SWITCH HOSES (M5)			
191	0164M00007	PRESSURE SWITCH HOSE (M1, M2)			
191	0164M00009	PRESSURE SWITCH HOSE (M3, M4)			
201	0164M00019	HOSE-PRESSURE SW 6" (QTY 2)			
221	10690402	INTERLOCK SWITCH			
231	0164F00002	FLUE PIPE W/BEND			
241	0164F00001	ELBOW-FLUE, UPFLOW			
271	0171M00003	MOTOR-ID, BLOWER			
281	0161F00037	COUPLING			
291	0130F00481	SWITCH, PRESSURE			
301	0130F00482	PRESSURE, SWITCH (M1, M2, M3)			
301	0130F00483	PRESSURE, SWITCH (M4, M5)			
311	0161F00042	JUNCTION BOX PLA			
331	0161F00043	JUNCTION BOX LID			
701	M0326804	PLUG-TUBE			
791	0154F00015	GASKET (QTY 2)			
811	0154F00014	GASKET (M1, M2)			
811	0154F00016	GASKET (M3, M4)			
811	20194607	GASKET (M5)			
991	0121F00389	BRACKET, DOOR SWITCH			

Expanded Model Nomenclature

M1 - AMVM970603BNAA
M2 - AMVM970803BNAA
M3 - AMVM970804CNAA
M4 - AMVM971005CNAA
M5 - AMVM971205DNAA

Heat Exchanger / Manifold / Gas Valve



Heat Exchanger / Manifold / Gas Valve

Ref. Part No:	Part No:	Description:	Ref. Part No:	Part No:	Description:
Image 1:					
11	0130F00008	IGNITOR-SINI 17 SEC			
21	0151M00024	GAS VALVE			
31	0163F00004	ORIFICE (QTY 3)			
41	0130F00010	FLAME SENSOR			
51	10123529	MANUAL RESET LIMIT (QTY 2)			
61	0163F00008	MANIFOLD (M1)			
61	0163F00009	MANIFOLD (M3)			
61	0163F00010	MANIFOLD (M4)			
61	0163F00011	MANIFOLD (M5)			
61	0163F00014	MANIFOLD (M2)			
71	0163F00017	BECKETT BURNER (QTY 3)			
81	0121F00455	BRACKET-BURNER 3 (M1)			
81	0121F00454	BRACKET-BURNER 4 (M2, M3)			
81	0121F00453	BRACKET-BURNER 5 (M4)			
81	0121F00451	BRACKET-BURNER 6 (M5)			
111	0121F00458	ORIFICE BRACKET-BURNER 3 (M1)			
111	0121F00457	ORIFICE BRACKET-BURNER 4 (M2, M3)			
111	0121F00452	ORIFICE BRACKET-BURNERS 5 (M4)			
111	0121F00447	ORIFICE BRACKET-BURNERS 6 (M5)			
131	0161F00018	COVER, FRONT (M4)			
131	0161F00031	COVER, FRONT (M2)			
131	0161F00056	COVER, FRONT (M1)			
131	0161F00065	COVER, FRONT (M3)			
131	0161F00066	COVER, FRONT (M5)			
141	0154F00011	GASKET, FRONT (M1, M2)			
141	0154F00012	GASKET, FRONT (M3, M4)			
141	0154F00013	GASKET, FRONT (M5)			
151	0257F00305	HEAT EXCHANGER ASSY. (M1)			
151	0257F00306	HEAT EXCHANGER ASSY. (M2)			
151	0257F00307	HEAT EXCHANGER ASSY. (M3)			
151	0257F00308	HEAT EXCHANGER ASSY. (M4)			
151	0257F00309	HEAT EXCHANGER ASSY. (M5)			
161	M0326804	TUBE PLUG			
231	A1781105	CAP-VINYL .500			
261	0121F00317	COVER, REAR (M1, M2)			
261	0121F00318	COVER, REAR (M3, M4)			
261	0121F00319	COVER, REAR (M5)			
271	0154F00008	GASKET, REAR CVR (M1, M2)			
271	0154F00009	GASKET, REAR CVR (M3, M4)			
271	0154F00010	GASKET, REAR CVR (M5)			
371	20162903	PRIMARY LIMIT - BLUE (M3, M4)			
371	0130F00036	PRIMARY LIMIT - PINK (M5)			
371	20162906	PRIMARY LIMIT - WHITE (M2)			
371	20162904	PRIMARY LIMIT-TEMPERATURE CONTROL (M1)			

Expanded Model Nomenclature

M1 - AMVM970603BNAA
M2 - AMVM970803BNAA
M3 - AMVM970804CNAA
M4 - AMVM971005CNAA
M5 - AMVM971205DNAA