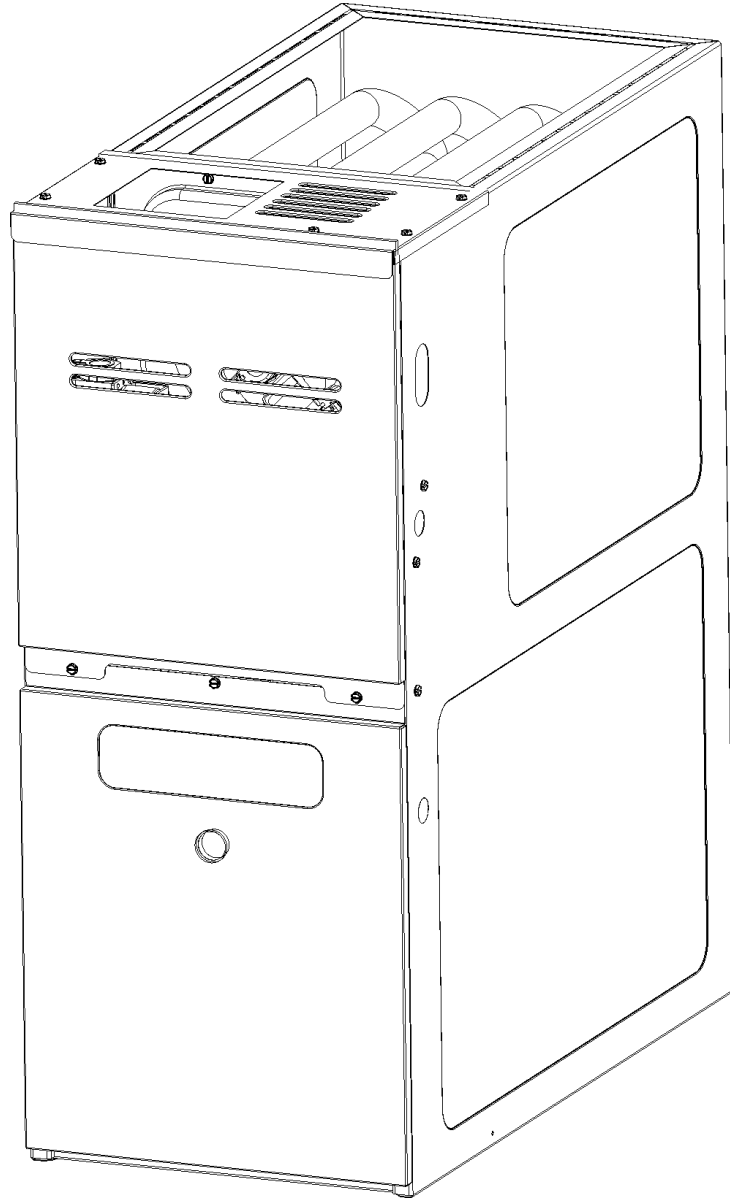


AMVC 80% Variable Speed Communicating Furnace

AMVC80604BNAA
AMVC80604BNBA
AMVC80604BNBB
AMVC80604BNBC
AMVC80604BXAA
AMVC80604BXBA
AMVC80604BXBB
AMVC80604BXBC
AMVC80805CNAA
AMVC80805CNBA
AMVC80805CNBB
AMVC80805CNBC
AMVC80805CXAA
AMVC80805CXBA
AMVC80805CXBB
AMVC80805CXBC
AMVC81005CNAA
AMVC81005CNBA
AMVC81005CNBB
AMVC81005CNBC
AMVC81005CXAA
AMVC81005CXBA
AMVC81005CXBB
AMVC81005CXBC



Amana® is a registered trademark of Maytag Corporation or its related companies and is used under license to Goodman Company, L.P., Houston, TX, USA. All rights reserved.

This manual is to be used by qualified technicians only.

This manual replaces RP-660D.

Important Information

Index

Functional Parts List	3
Illustration and Parts	4 - 9

Views shown are for parts illustrations only, not servicing procedures

Rev E: changes to the blower motor band/arm (heavy duty)

Text Codes:

AR - As Required

NA - Not Available

NS - Not Shown

00000000 - See Note

QTY - Quantity Example (QTY 3) (If Quantity not shown, Quantity = 1)

M - Model Example (M1) (If M Code not shown, then part is used on all Models)

Expanded Model Nomenclature:

Example M1 - Model#1 M2 - Model#2 M3 - Model#3

Goodman Manufacturing Company, L.P. is not responsible for personal injury or property damage resulting from improper service. Review all service information before beginning repairs.

Warranty service must be performed by an authorized technician, using authorized factory parts. If service is required after the warranty expires, Goodman Manufacturing Company, L.P. also recommends contacting an authorized technician and using authorized factory parts.

Goodman Manufacturing Company, L.P. reserves the right to discontinue, or change at any time, specifications or designs without notice or without incurring obligations.

For assistance within the U.S.A. contact:
Consumer Affairs Department
Goodman Manufacturing Company, L.P.
7401 Security Way
Houston, Texas 77040
877-254-4729-Telephone
713-863-2382-Facsimile

For assistance outside the U.S.A. contact:
International Division
Goodman Manufacturing Company, L.P.
7401 Security Way
Houston, Texas 77040
713-861-2500-Telephone
713-863-2382-Facsimile

Functional Parts

Part

No: Description:

20162904	*PRIMARY LIMIT-TEMPERATURE CONTROL (M17, M21) *Refer to service bulletin SF-054
0130F00050	AIR PRESSURE SWITCH (M9, M13, M17, M21)
0130F00049	AIR PRESSURE SWITCH (M1, M2, M3, M4, M5, M6, M7, M8, M10, M11, M12, M14, M15, M16)
0130F00038	AUX LIMIT - LT BLUE 120°
0130F00010	FLAME SENSOR
0130F00008	IGNITOR-SINI 17 SEC
0130M00141	INDUCTOR, 5.9 AMPS (GMPE100-4)
10690402	INTERLOCK SWITCH
10123529	MANUAL RESET R.O.S. LIMIT (QTY 2)
0130F00240	MEMORY CHIP (M10)
0130F00239	MEMORY CHIP (M2)
0130F00225	MEMORY CHIP (M13)
0130F00223	MEMORY CHIP (M17)
0130F00241	MEMORY CHIP (M18)
0130F00221	MEMORY CHIP (M1)
0130F00226	MEMORY CHIP (M21)
0130F00222	MEMORY CHIP (M9)
0130F00411	MEMORY CHIP (M12)
0130F00414	MEMORY CHIP (M24)
0130F00413	MEMORY CHIP (M20)
0130F00224	MEMORY CHIP (M5)
0130F00412	MEMORY CHIP (M16)
0130F00242	MEMORY CHIP (M6)
0130F00410	MEMORY CHIP (M8)
0130F00409	MEMORY CHIP (M4)
0130F00243	MEMORY CHIP (M14)
0130F00262	MEMORY CHIP (M19)
0130F00261	MEMORY CHIP (M15)
0130F00260	MEMORY CHIP (M11)
0130F00259	MEMORY CHIP (M7)
0130F00258	MEMORY CHIP (M3)
0130F00244	MEMORY CHIP (M22)
0130F00263	MEMORY CHIP (M23)
0131M00271	MOTOR, 3/4 HP, SERIAL ECM
PCBKF102	PCB, CONTROL, FURNACE (M1, M2, M5, M6, M9, M10, M13, M14, M17, M18, M21, M22)
B1370210	PRESSURE SWITCH, PINK (M18, M19, M20, M22, M23, M24)
20162903	PRIMARY LIMIT - BLUE (M1, M5)
0130M00063	PRIMARY LIMIT - GOLD 140° (M2, M3, M4, M6, M7, M8, M9, M10, M11, M12, M13, M14, M15, M16)
20162905	PRIMARY LIMIT-YELLOW (M18, M19, M20, M22, M23, M24)
0130M00140	TRANSFORMER 120V TO 24V, 40VA
0151M00028	VALVE,GAS(HW)VR92
DY6.186.070	VENT MOTOR CAPACITOR
0131M00003P	VENT MOTOR, 2-STAGE

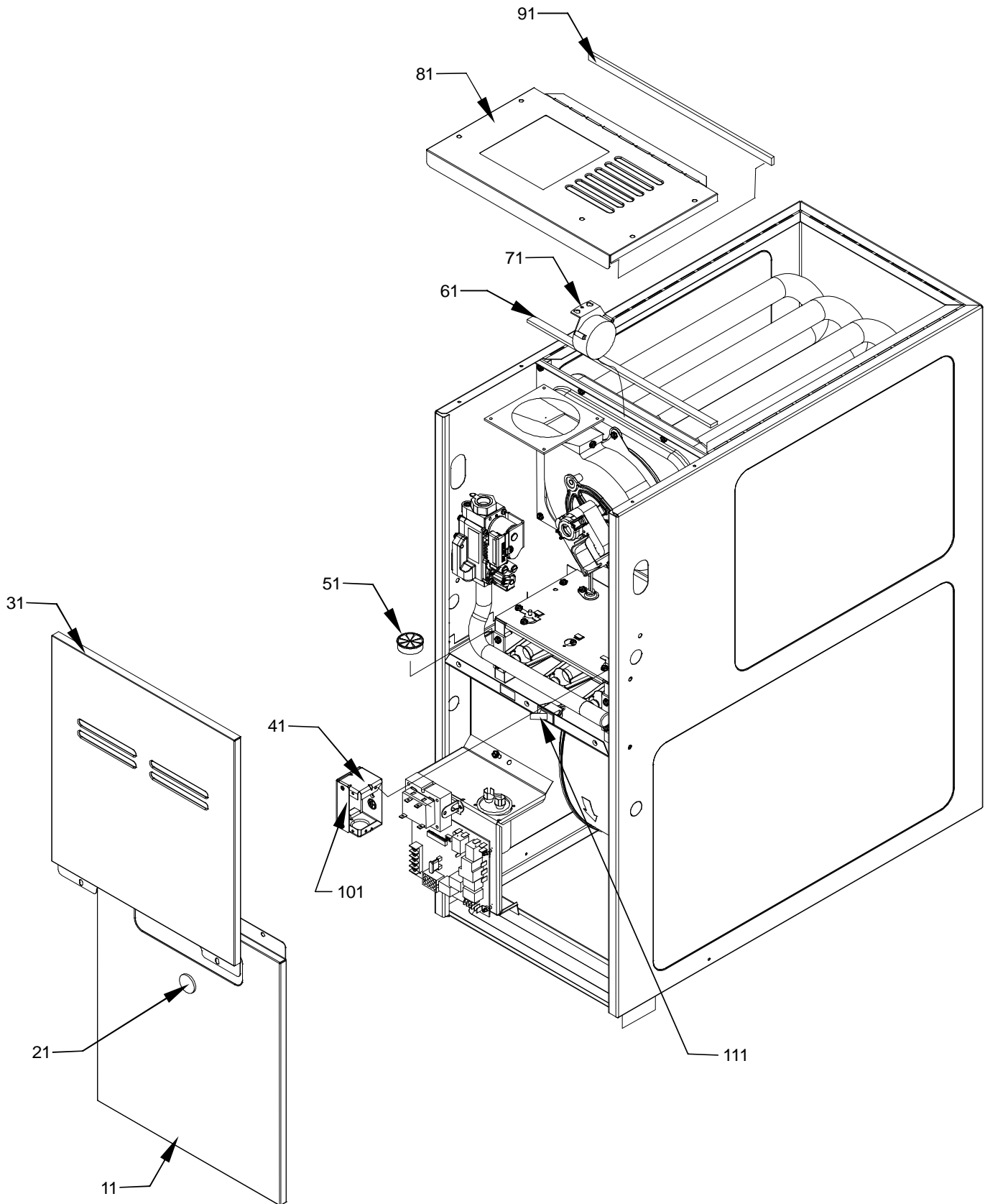
Expanded Model Nomenclature

M1 - AMVC80604BNAA
M2 - AMVC80604BNBA
M3 - AMVC80604BNBB
M4 - AMVC80604BNBC
M5 - AMVC80604BXAA
M6 - AMVC80604BXBA
M7 - AMVC80604BXBB
M8 - AMVC80604BXBC
M9 - AMVC80805CNAA
M10 - AMVC80805CNBA
M11 - AMVC80805CNBB
M12 - AMVC80805CNBC
M13 - AMVC80805CXAA
M14 - AMVC80805CXBA
M15 - AMVC80805CXBB
M16 - AMVC80805CXBC
M17 - AMVC81005CNAA
M18 - AMVC81005CNBA
M19 - AMVC81005CNBB
M20 - AMVC81005CNBC
M21 - AMVC81005CXAA
M22 - AMVC81005CXBA
M23 - AMVC81005CXBB
M24 - AMVC81005CXBC

SPECIAL PARTS

0161F00006	AMANA NAMEPLATE
------------	-----------------

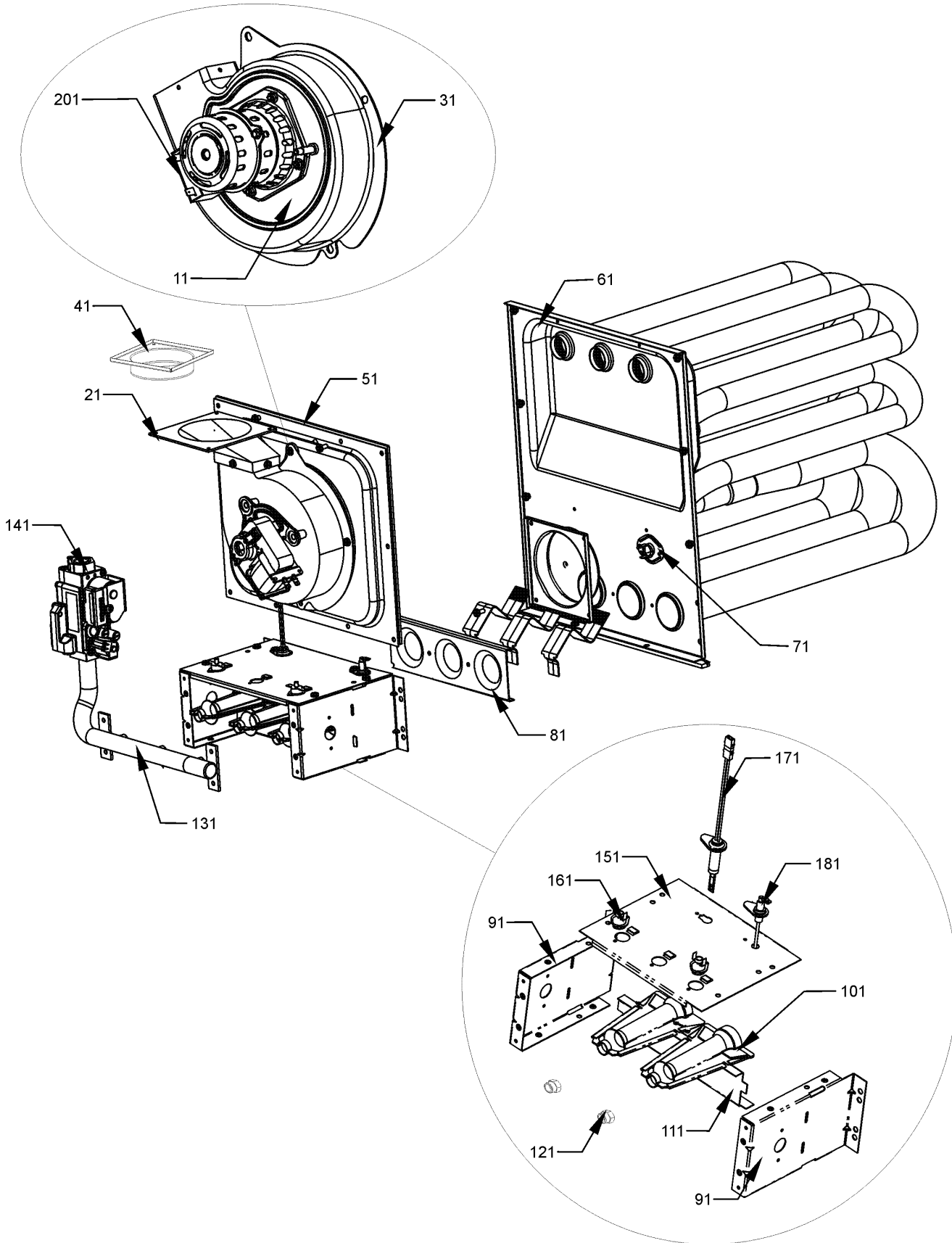
Cabinet



Cabinet

Ref. Part No: No:	Description:	Ref. Part No: No:	Description:
<i>Image 1:</i>		Expanded Model Nomenclature	
11	0121F00123LG BLOWER ACCESS DOOR 17.5" (M1, M2, M3, M4, M5, M6, M7, M8)	M1 - AMVC80604BNAA	
11	0121F00124LG BLOWER ACCESS DOOR 21" (M9, M10, M11, M12, M13, M14, M15, M16, M17, M18, M19, M20, M21, M22, M23, M24)	M2 - AMVC80604BNBA	
21	B1392139 VIEW PORT BUSHING-BLOWER DOOR	M3 - AMVC80604BNBB	
31	0121F00119LG CONTROL ACCESS DOOR 17.5" (M1, M2, M3, M4, M5, M6, M7, M8)	M4 - AMVC80604BNBC	
31	0121F00120LG CONTROL ACCESS DOOR 21" (M9, M10, M11, M12, M13, M14, M15, M16, M17, M18, M19, M20, M21, M22, M23, M24)	M5 - AMVC80604BXAA	
41	4014502 J-BOX	M6 - AMVC80604BXBA	
51	B1392147 UNIVERSAL BUSHING WITH SLICE	M7 - AMVC80604XBBA	
61	B13926112 SEAL STRIP, 1/8 X 1/2 X 17.5 (M1, M2, M3, M4, M5, M6, M7, M8)	M8 - AMVC80604XBBC	
61	B13926113 SEAL STRIP, 1/8 X 1/2 X 21 (M9, M10, M11, M12, M13, M14, M15, M16, M17, M18, M19, M20, M21, M22, M23, M24)	M9 - AMVC80805CNAA	
71	0130F00049 AIR PRESSURE SWITCH (M1, M2, M3, M4, M5, M6, M7, M8, M10, M11, M12, M14, M15, M16)	M10 - AMVC80805CNBA	
71	0130F00050 AIR PRESSURE SWITCH (M9, M13, M17, M21)	M11 - AMVC80805CNBB	
71	B1370210 PRESSURE SWITCH, PINK (M18, M19, M20, M22, M23, M24)	M12 - AMVC80805CNBC	
81	0121F00142DG TOP 17.5" (M1, M2, M3, M4, M5, M6, M7, M8)	M13 - AMVC80805CXAA	
81	0121F00143DG TOP 21" (M9, M10, M11, M12, M13, M14, M15, M16, M17, M18, M19, M20, M21, M22, M23, M24)	M14 - AMVC80805CXBA	
91	B13926111 SEAL STRIP, 1/8 X 1/2 X 14	M15 - AMVC80805CXBB	
101	4015502 J-BOX COVER	M16 - AMVC80805CXBC	
111	10690402 INTERLOCK SWITCH	M17 - AMVC81005CNAA	
NS	0161F00006 AMANA NAMEPLATE	M18 - AMVC81005CNBA	
NS	0259F00062 INDUCER HARNESS ASSY	M19 - AMVC81005CNBB	
NS	0259F00063 WIRE HARNESS ASSY	M20 - AMVC81005CNBC	
NS	0259F00075 WIRE HARNESS ASSY (M1, M2, M5, M6, M9, M10, M13, M14, M17, M18, M21, M22)	M21 - AMVC81005CXAA	
NS	0259F00081 WIRE HARNESS ASSY (M3, M4, M7, M8, M11, M12, M15, M16, M19, M20, M23, M24)	M22 - AMVC81005CXBA	
		M23 - AMVC81005CXBB	
		M24 - AMVC81005CXBC	

Heat Exchanger Assembly



Heat Exchanger Assembly

Ref. Part
No: No:

Description:

Ref. Part
No: No:

Description:

Image 1:

11	0131M00003P	VENT MOTOR, 2-STAGE
21	0128F00006	CHIMNEY TRANSITION BOTTOM
31	0154F00004	VENT MOTOR GASKET 17.5" (M1, M2, M3, M4, M5, M6, M7, M8)
31	0154F00005	VENT MOTOR GASKET 21" (M9, M10, M11, M12, M13, M14, M15, M16, M17, M18, M19, M20, M21, M22, M23, M24)
41	4023500	CHIMNEY TRANSITION TOP
51	0121F00332	17.5" COLLECTOR BOX 1.375" DIA (M2, M3, M4, M6, M7, M8)
51	0121F00333	21" COLLECTOR BOX 1.75" DIA (M18, M19, M20, M22, M23, M24)
51	0121F00336	21" FLUE COLLECTOR BOX 1.50" (M10, M11, M12, M14, M15, M16)
51	0121F00216	COLLECTOR BOX (M1, M5)
51	0121F00217	COLLECTOR BOX (M9, M13, M17, M21)
61	0270F00933	HEAT EXCHANGER ASSY (M1, M2, M3, M4, M5, M6, M7, M8)
61	0270F00935	HEAT EXCHANGER ASSY (M9, M10, M11, M12, M13, M14, M15, M16)
61	0270F00936	HEAT EXCHANGER ASSY (M17, M18, M19, M20, M21, M22, M23, M24)
71	20162904	*PRIMARY LIMIT-TEMPERATURE CONTROL (M17, M21) <small>*Refer to service bulletin SF-054</small>
71	20162903	PRIMARY LIMIT - BLUE (M1, M5)
71	0130M00063	PRIMARY LIMIT - GOLD 140° (M2, M3, M4, M6, M7, M8, M9, M10, M11, M12, M13, M14, M15, M16)
71	20162905	PRIMARY LIMIT-YELLOW (M18, M19, M20, M22, M23, M24)
81	4028001	ORIFICE SHIELD 3 CELL (M1, M2, M3, M4, M5, M6, M7, M8)
81	4028002	ORIFICE SHIELD 4 CELL (M9, M10, M11, M12, M13, M14, M15, M16)
81	4028003	ORIFICE SHIELD 5 CELL (M17, M18, M19, M20, M21, M22, M23, M24)
91	0121F00146	BURNER BOX SIDE (QTY 2)
101	B4022700	INSHOT BURNER ASSY 3" (QTY 3)
111	0121F00168	BURNER BRACKET 3B (M1, M2, M3, M4, M5, M6, M7, M8)
111	0121F00169	BURNER BRACKET 4B (M9, M10, M11, M12, M13, M14, M15, M16)
111	0121F00170	BURNER BRACKET 5B (M17, M18, M19, M20, M21, M22, M23, M24)
121	0163F00018	ORIFICE (M1, M5, M9, M13, M17, M21)
121	10716005	ORIFICE (M2, M3, M4, M6, M7, M8, M10, M11, M12, M14, M15, M16, M18, M19, M20, M22, M23, M24)
131	0120F00007	MANIFOLD (M1, M2, M3, M4, M5, M6, M7, M8)
131	0120F00008	MANIFOLD (M9, M10, M11, M12, M13, M14, M15, M16)
131	0120F00009	MANIFOLD (M17, M18, M19, M20, M21, M22, M23, M24)
141	0151M00028	VALVE,GAS(HW)VR92
151	0121F00163	BURNER BOX TOP 3 CELL (M1, M2, M3, M4, M5, M6, M7, M8)
151	0121F00164	BURNER BOX TOP 4 CELL (M9, M10, M11, M12, M13, M14, M15, M16)
151	0121F00165	BURNER BOX TOP 5 CELL (M17, M18, M19, M20, M21, M22, M23, M24)
161	10123529	MANUAL RESET R.O.S. LIMIT (QTY 2)
171	0130F00008	IGNITOR-SINI 17 SEC
181	0130F00010	FLAME SENSOR
201	DY6.186.070	VENT MOTOR CAPACITOR

Expanded Model Nomenclature

M1 - AMVC80604BNAA
M2 - AMVC80604BNBA
M3 - AMVC80604BNBB
M4 - AMVC80604BNBC
M5 - AMVC80604BXAA
M6 - AMVC80604BXBA
M7 - AMVC80604BXBB
M8 - AMVC80604BXBC
M9 - AMVC80805CNAA
M10 - AMVC80805CNBA
M11 - AMVC80805CNBB
M12 - AMVC80805CNBC
M13 - AMVC80805CXAA
M14 - AMVC80805CXBA
M15 - AMVC80805CXBB
M16 - AMVC80805CXBC
M17 - AMVC81005CNAA
M18 - AMVC81005CNBA
M19 - AMVC81005CNBB
M20 - AMVC81005CNBC
M21 - AMVC81005CXAA
M22 - AMVC81005CXBA
M23 - AMVC81005CXBB
M24 - AMVC81005CXBC

Blower and Control Panel

Image 1

*If end bells are needed please order the following:

0131M00182 - 1/2 HP

0131M00183 - 3/4 HP

0131M00184 - 1 HP

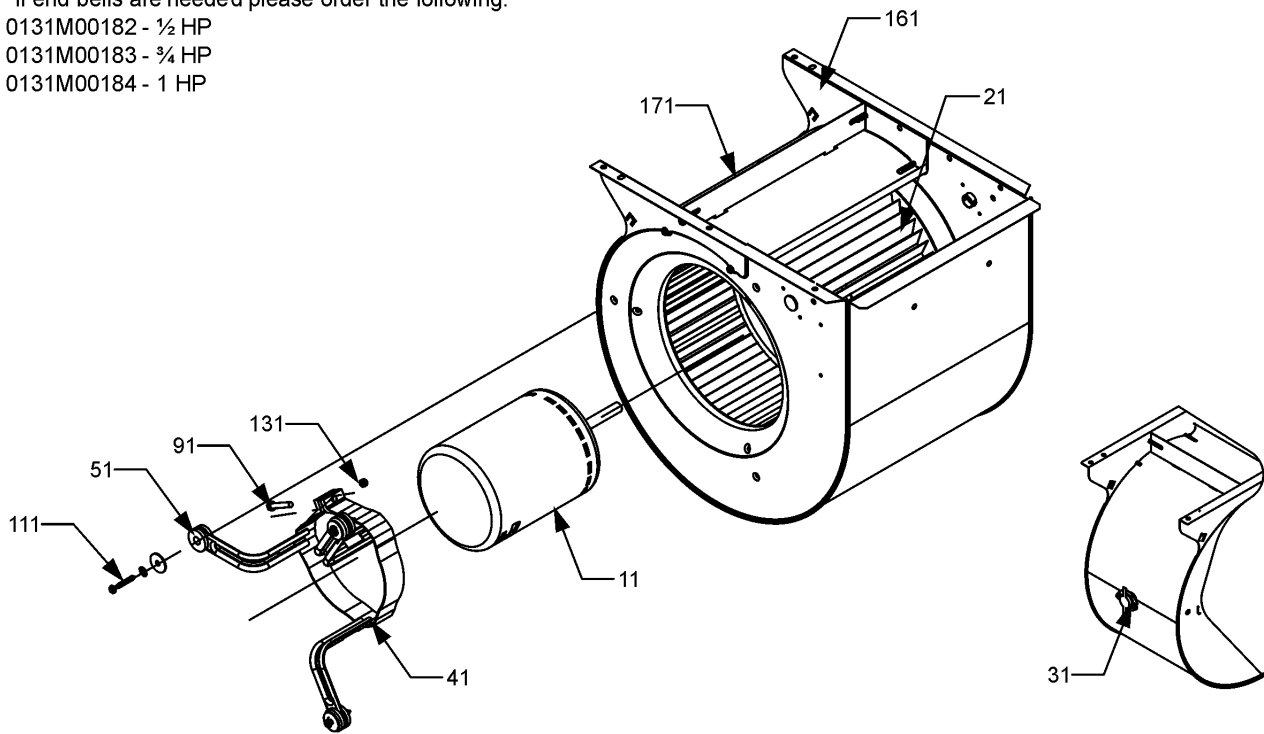
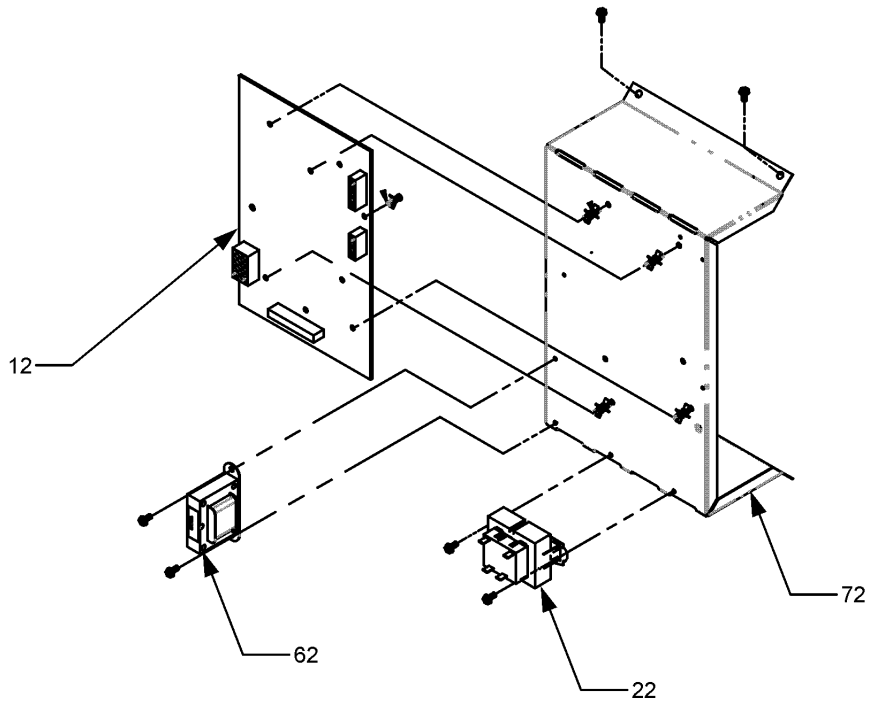


Image 2



Blower and Control Panel

Ref. Part No:	Description:	Ref. Part No:	Description:
Image 1:		Expanded Model Nomenclature	
11	0131M00271	MOTOR, 3/4 HP, SERIAL ECM	M1 - AMVC80604BNAA
21	B1368047	BLOWER WHEEL 10 X 10 (M9, M10, M11, M12, M13, M14, M15, M16, M17, M18, M19, M20, M21, M22, M23, M24)	M2 - AMVC80604BNBA
21	B1368016	BLOWER WHEEL 10 X 8 (M1, M2, M3, M4, M5, M6, M7, M8)	M3 - AMVC80604BNBB
31	0130F00038	AUX LIMIT - LT BLUE 120°	M4 - AMVC80604BNBC
41	0121M00038	MOTOR MOUNT BAND (M1, M2, M3, M4, M5, M6, M7, M8)	M5 - AMVC80604BXAA
41	0121M00039	MOTOR MOUNT BAND (HEAVY DUTY) (M9, M10, M11, M12, M13, M14, M15, M16, M17, M18, M19, M20, M21, M22, M23, M24)	M6 - AMVC80604BXBA
51	B1376853	MOTOR MOUNT ARM (M1, M2, M3, M4, M5, M6, M7, M8)	M7 - AMVC80604BXBB
51	B1376863	MOTOR MOUNT ARM (HEAVY DUTY) (M9, M10, M11, M12, M13, M14, M15, M16, M17, M18, M19, M20, M21, M22, M23, M24)	M8 - AMVC80604BXBC
91	B1393323	MACHINE SCREW HWH 1/4-20 X 1-1/2 BZ	M9 - AMVC80805CNAA
131	B1393800	LOCKNUT, NYLON, INSERT 1/4, 20	M10 - AMVC80805CNBA
161	0271F00111	BLOWER SHELL ASSY (M1, M2, M3, M4, M5, M6, M7, M8)	M11 - AMVC80805CNBB
161	0271F00112	BLOWER SHELL ASSY (M9, M10, M11, M12, M13, M14, M15, M16, M17, M18, M19, M20, M21, M22, M23, M24)	M12 - AMVC80805CNBC
171	764741	BLOWER BLOCK-OFF 10 X 10 (M9, M10, M11, M12, M13, M14, M15, M16, M17, M18, M19, M20, M21, M22, M23, M24)	M13 - AMVC80805CXAA
171	764740	BLOWER BLOCK-OFF 10 X 8 (M1, M2, M3, M4, M5, M6, M7, M8)	M14 - AMVC80805CXBA
NS	0259F00048	HARNESS, CONTROL	M15 - AMVC80805CXBB
NS	0259F00049	HARNESS, POWER	M16 - AMVC80805CXBC
NS	0130F00221	MEMORY CHIP (M1)	M17 - AMVC81005CNAA
NS	0130F00222	MEMORY CHIP (M9)	M18 - AMVC81005CNBA
NS	0130F00223	MEMORY CHIP (M17)	M19 - AMVC81005CNBB
NS	0130F00224	MEMORY CHIP (M5)	M20 - AMVC81005CNBC
NS	0130F00225	MEMORY CHIP (M13)	M21 - AMVC81005CXAA
NS	0130F00226	MEMORY CHIP (M21)	M22 - AMVC81005CXBA
NS	0130F00239	MEMORY CHIP (M2)	M23 - AMVC81005CXBB
NS	0130F00240	MEMORY CHIP (M10)	M24 - AMVC81005CXBC
NS	0130F00241	MEMORY CHIP (M18)	
NS	0130F00242	MEMORY CHIP (M6)	
NS	0130F00243	MEMORY CHIP (M14)	
NS	0130F00244	MEMORY CHIP (M22)	
NS	0130F00258	MEMORY CHIP (M3)	
NS	0130F00259	MEMORY CHIP (M7)	
NS	0130F00260	MEMORY CHIP (M11)	
NS	0130F00261	MEMORY CHIP (M15)	
NS	0130F00262	MEMORY CHIP (M19)	
NS	0130F00263	MEMORY CHIP (M23)	
NS	0130F00409	MEMORY CHIP (M4)	
NS	0130F00410	MEMORY CHIP (M8)	
NS	0130F00411	MEMORY CHIP (M12)	
NS	0130F00412	MEMORY CHIP (M16)	
NS	0130F00413	MEMORY CHIP (M20)	
NS	0130F00414	MEMORY CHIP (M24)	
Image 2:			
12	PCBKF102	PCB, CONTROL, FURNACE (M1, M2, M5, M6, M9, M10, M13, M14, M17, M18, M21, M22)	
12	PCBKF104	PCB, CONTROL, FURNACE (M3, M4, M7, M8, M11, M12, M15, M16, M19, M20, M23, M24)	
22	0130M00140	TRANSFORMER 120V TO 24V, 40VA	
62	0130M00141	INDUCTOR, 5.9 AMPS (GMPE100-4)	
72	0121F00218	PANEL, CONTROL MOUNTING	

*If end bells are needed please order the following:

- 0131M00182 - 1/2 HP
- 0131M00183 - 3/4 HP
- 0131M00184 - 1 HP