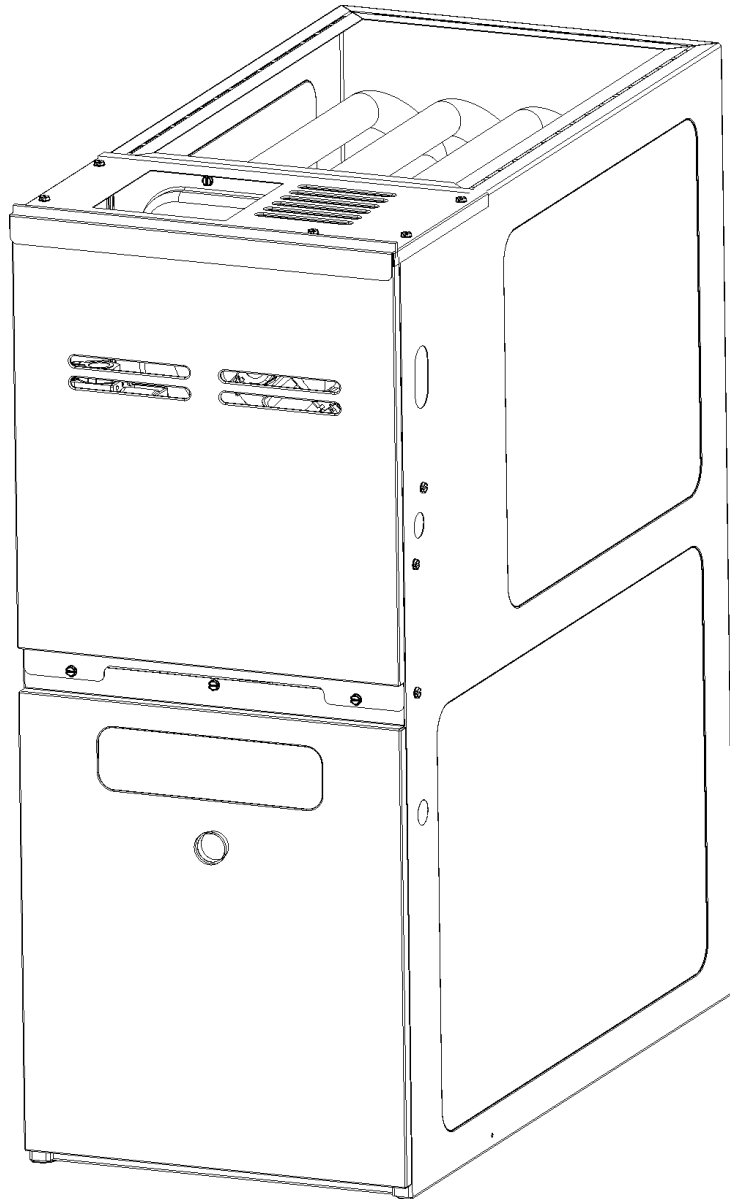


AMS 80% Multi-Position Furnace

AMS80403AXAA
AMS80403AXAB
AMS80403AXAC
AMS80603AXAA
AMS80603AXAB
AMS80603AXAC
AMS80604BXAA
AMS80604BXAB
AMS80604BXAC
AMS80804BXAA
AMS80804BXAB
AMS80804BXAC
AMS80805CXAA
AMS80805CXAB
AMS80805CXAC
AMS81005CXAA
AMS81005CXAB
AMS81005CXAC
AMS81205DXAA
AMS81205DXAB
AMS81205DXAC
AMS81405DNBA
AMS81405DNBB
AMS81405DNBC



Amana® is a registered trademark of Maytag Corporation or its related companies and is used under license to Goodman Company, L.P., Houston, TX, USA. All rights reserved.

This manual is to be used by qualified technicians only.

This manual replaces RP-841B.

© 2013-2015 Goodman Manufacturing Company, L.P. ♦ 5151 San Felipe St., Suite 500 ♦ Houston, TX 77056

Important Information

Index

Functional Parts List	3
Illustration and Parts	4 - 9

Views shown are for parts illustrations only, not servicing procedures

Text Codes:

AR - As Required

NA - Not Available

NS - Not Shown

00000000 - See Note

QTY - Quantity Example (QTY 3) (If Quantity not shown, Quantity = 1)

M - Model Example (M1) (If M Code not shown, then part is used on all Models)

Expanded Model Nomenclature:

Example M1 - Model#1 M2 - Model#2 M3 - Model#3

Goodman Manufacturing Company, L.P. is not responsible for personal injury or property damage resulting from improper service. Review all service information before beginning repairs.

Warranty service must be performed by an authorized technician, using authorized factory parts. If service is required after the warranty expires, Goodman Manufacturing Company, L.P. also recommends contacting an authorized technician and using authorized factory parts.

Goodman Manufacturing Company, L.P. reserves the right to discontinue, or change at any time, specifications or designs without notice or without incurring obligations.

For assistance within the U.S.A. contact:
Consumer Affairs Department
Goodman Manufacturing Company, L.P.
7401 Security Way
Houston, Texas 77040
877-254-4729-Telephone
713-863-2382-Facsimile

For assistance outside the U.S.A. contact:
International Division
Goodman Manufacturing Company, L.P.
7401 Security Way
Houston, Texas 77040
713-861-2500-Telephone
713-863-2382-Facsimile

Functional Parts

Part

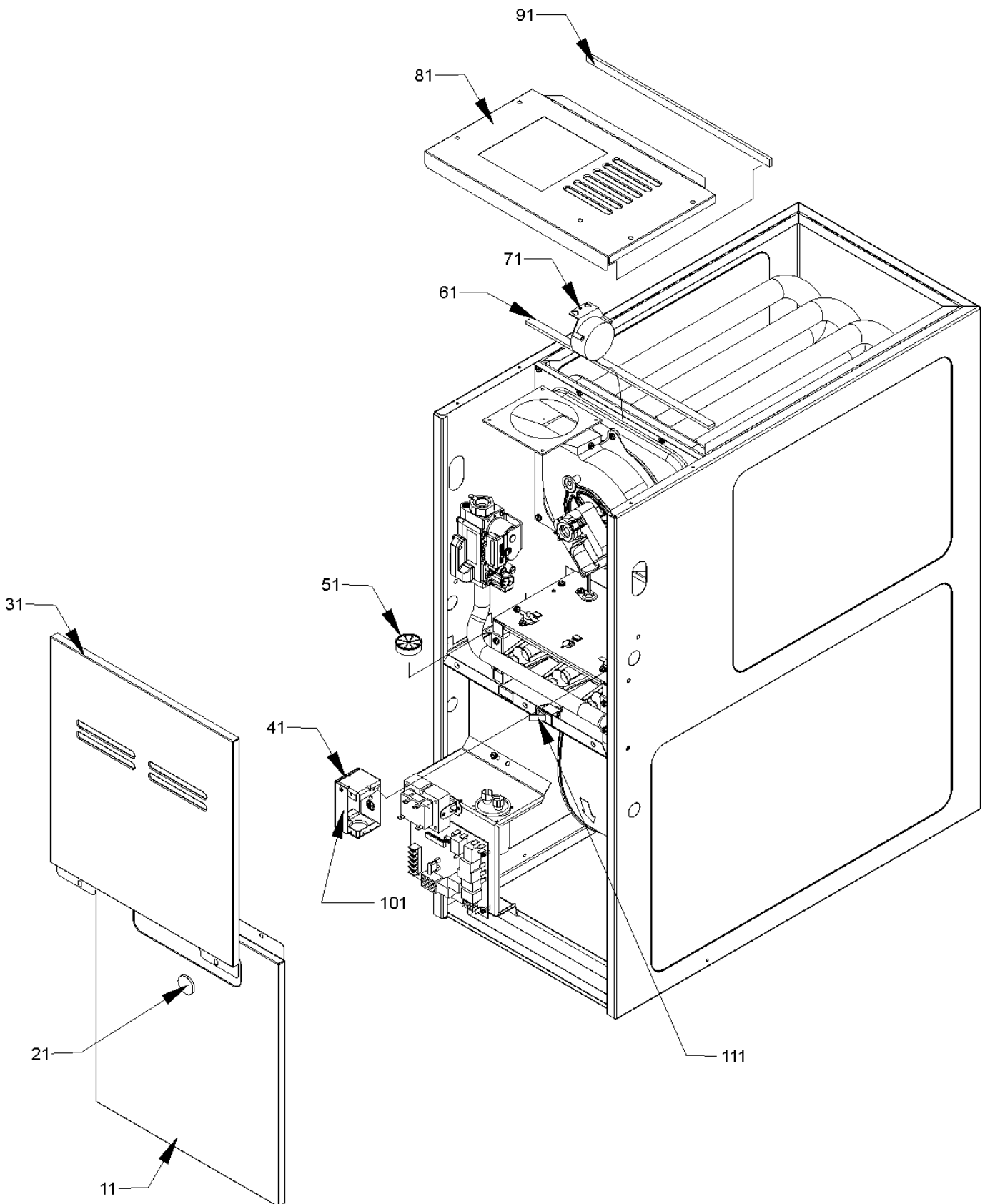
No: **Description:**

Part No:	Description:	Expanded Model Nomenclature
20162904	*PRIMARY LIMIT-TEMPERATURE CONTROL (M4, M5, M6, M7, M8, M9, M10, M11, M12, M16, M17, M18) *Refer to service bulletin SF-054	M1 - AMS80403AXAA M2 - AMS80403AXAB
0130F00038	AUX LIMIT - LT BLUE 120°	M3 - AMS80403AXAC
0131F00022	BLOWER MOTOR 1/2 HP, 4 SP, 6 PL (M7, M8, M9, M10, M11, M12, M13, M14, M15, M16, M17, M18)	M4 - AMS80603AXAA M5 - AMS80603AXAB
20046618	BLOWER MOTOR 3/4 HP (M19, M20, M21, M22, M23, M24)	M6 - AMS80603AXAC M7 - AMS80604BXAA
0131F00027	BLOWER MOTOR, 1/3HP, 4SP, 6PL (M1, M2, M3, M4, M5, M6)	M8 - AMS80604BXAB
B1368047	BLOWER WHEEL 10 X 10 (M13, M14, M15, M16, M17, M18)	M9 - AMS80604BXAC
B1368034	BLOWER WHEEL 10 X 6 (M1, M2, M3, M4, M5, M6)	M10 - AMS80804BXAA M11 - AMS80804BXAB
B1368016	BLOWER WHEEL 10 X 8 (M7, M8, M9, M10, M11, M12)	M12 - AMS80804BXAC
B1368000	BLOWER WHEEL 11 X 10 (M19, M20, M21, M22, M23, M24)	M13 - AMS80805CXAA M14 - AMS80805CXAB
CAP125000370CP	CAP, 12.5 MFD/370V/ RD (M1, M2, M3, M4, M5, M6)	M15 - AMS80805CXAC
CAP200000370CP	CAP, 20 MFD/370V/ RD (M7, M8, M9, M10, M11, M12, M13, M14, M15, M16, M17, M18)	M16 - AMS81005CXAA M17 - AMS81005CXAB
CAP250000370CP	CAP, 25 MFD/370V/ RD (M19, M20, M21, M22, M23, M24)	M18 - AMS81005CXAC
0151M00037	GAS VALVE (M2, M3, M5, M6, M8, M9, M11, M12, M14, M15, M17, M18, M20, M21, M23, M24)	M19 - AMS81205DXAA M20 - AMS81205DXAB
0151M00013	GAS VALVE (HW) SINGLE STAGE (M1, M4, M7, M10, M13, M16, M19, M22)	M21 - AMS81205DXAC
0270F00935	HEAT EXCHANGER ASSY (M13, M14, M15)	M22 - AMS81405DNBA
0270F00931	HEAT EXCHANGER ASSY (M1, M2, M3)	M23 - AMS81405DNBB
0270F00932	HEAT EXCHANGER ASSY (M4, M5, M6)	M24 - AMS81405DNBC
0270F00934	HEAT EXCHANGER ASSY (M10, M11, M12)	
0270F00936	HEAT EXCHANGER ASSY (M16, M17, M18)	
0270F00937	HEAT EXCHANGER ASSY (M19, M20, M21, M22, M23, M24)	
0270F00933	HEAT EXCHANGER ASSY (M7, M8, M9)	
10690402	INTERLOCK SWITCH	
10123529	MANUAL RESET R.O.S. LIMIT (QTY 2)	
20162901	PRESSURE LIMIT-RED (M1, M2, M3)	
0130F00042	PRESSURE SWITCH (M19, M20, M21, M22, M23, M24)	
B1370179	PRESSURE SWITCH (M4, M5, M6, M7, M8, M9, M13, M14, M15)	
B1370158	PRESSURE SWITCH -0.70" WC (M1, M2, M3, M10, M11, M12, M16, M17, M18)	
20162903	PRIMARY LIMIT - BLUE (M13, M14, M15, M19, M20, M21, M22, M23, M24)	
0130M00140	TRANSFORMER 120V TO 24V, 40VA	
DY6.186.070	VENT MOTOR CAPACITOR	

SPECIAL PARTS

0161F00006 AMANA NAMEPLATE

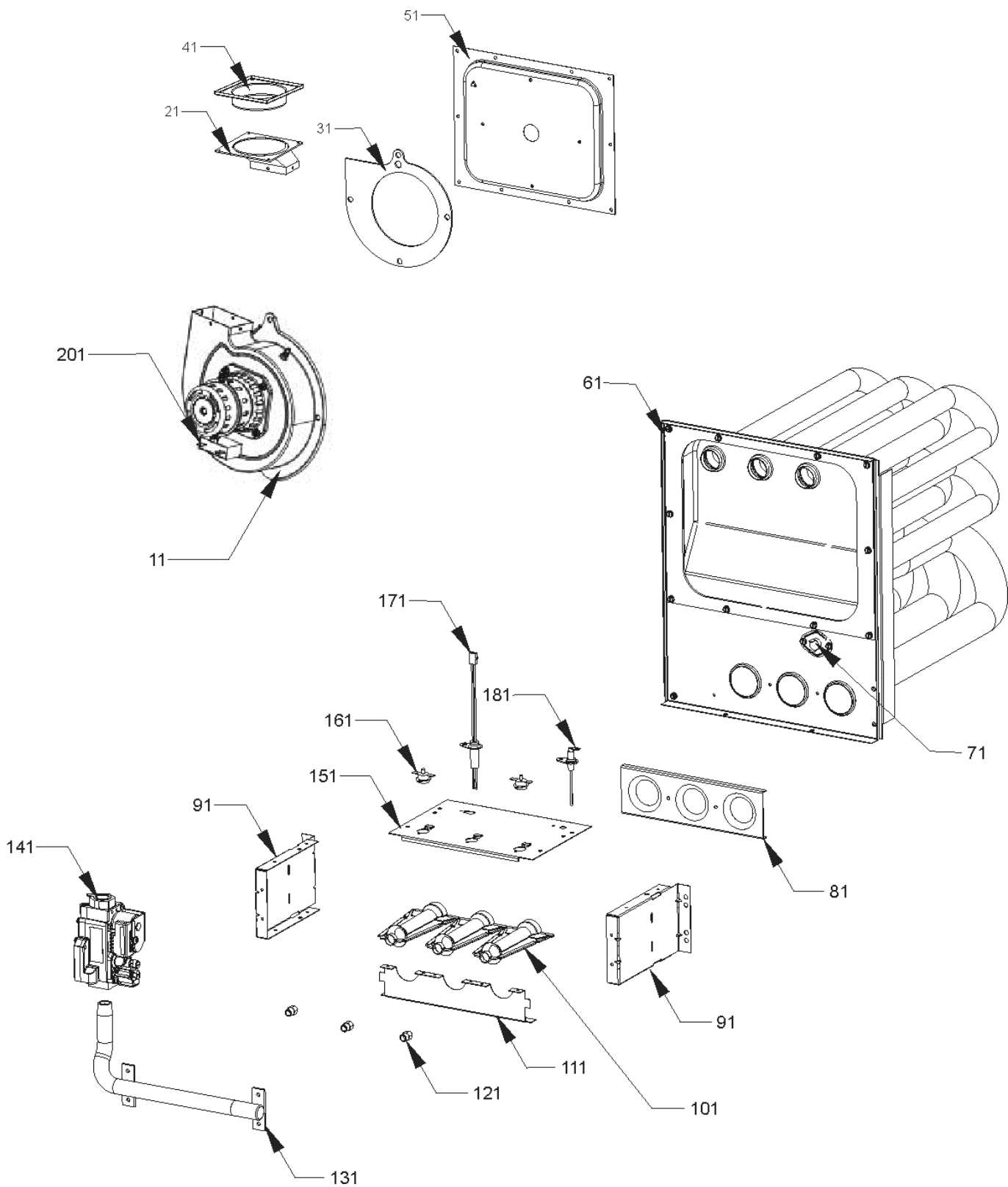
Cabinet Assy



Cabient Assy

Ref. Part No: No:	Description:	Ref. Part No: No:	Description:
<i>Image 1:</i>		Expanded Model Nomenclature	
11	0121F00122LG BLOWER ACCESS DOOR 14" (M1, M2, M3, M4, M5, M6)	M1 - AMS80403AXAA	
11	0121F00123LG BLOWER ACCESS DOOR 17.5" (M7, M8, M9, M10, M11, M12)	M2 - AMS80403AXAB	
11	0121F00124LG BLOWER ACCESS DOOR 21" (M13, M14, M15, M16, M17, M18)	M3 - AMS80403AXAC	
11	0121F00125LG BLOWER ACCESS DOOR 24.5" (M19, M20, M21, M22, M23, M24)	M4 - AMS80603AXAA	
21	B1392139 VIEW PORT BUSHING-BLOWER DOOR	M5 - AMS80603AXAB	
31	0121F00118LG CONTROL ACCESS DOOR 14" (M1, M2, M3, M4, M5, M6)	M6 - AMS80603AXAC	
31	0121F00119LG CONTROL ACCESS DOOR 17.5" (M7, M8, M9, M10, M11, M12)	M7 - AMS80604BXAA	
31	0121F00120LG CONTROL ACCESS DOOR 21" (M13, M14, M15, M16, M17, M18)	M8 - AMS80604BXAB	
31	0121F00121LG CONTROL ACCESS DOOR 24.5" (M19, M20, M21, M22, M23, M24)	M9 - AMS80604BXAC	
41	4014502 J-BOX	M10 - AMS80804BXAA	
51	B1392147 UNIVERSAL BUSHING WITH SLICE	M11 - AMS80804BXAB	
61	B13926111 SEAL STRIP, 1/8 X 1/2 X 14 (M1, M2, M3, M4, M5, M6)	M12 - AMS80804BXAC	
61	B13926112 SEAL STRIP, 1/8 X 1/2 X 17.5 (M7, M8, M9, M10, M11, M12)	M13 - AMS80805CXAA	
61	B13926113 SEAL STRIP, 1/8 X 1/2 X 21 (M13, M14, M15, M16, M17, M18)	M14 - AMS80805CXAB	
61	B13926114 SEAL STRIP, 1/8 X 1/2 X 24.5 (M19, M20, M21, M22, M23, M24)	M15 - AMS80805CXAC	
71	0130F00042 PRESSURE SWITCH (M19, M20, M21, M22, M23, M24)	M16 - AMS81005CXAA	
71	B1370179 PRESSURE SWITCH (M4, M5, M6, M7, M8, M9, M13, M14, M15)	M17 - AMS81005CXAB	
71	B1370158 PRESSURE SWITCH -0.70" WC (M1, M2, M3, M10, M11, M12, M16, M17, M18)	M18 - AMS81005CXAC	
81	0121F00141DG TOP 14" (M1, M2, M3, M4, M5, M6)	M19 - AMS81205DXAA	
81	0121F00142DG TOP 17.5" (M7, M8, M9, M10, M11, M12)	M20 - AMS81205DXAB	
81	0121F00143DG TOP 21" (M13, M14, M15, M16, M17, M18)	M21 - AMS81205DXAC	
81	0121F00463DG TOP 24.5" (M19, M20, M21, M22, M23, M24)	M22 - AMS81405DNBA	
91	B13926111 SEAL STRIP, 1/8 X 1/2 X 14 (M1, M2, M3, M4, M5, M6)	M23 - AMS81405DNBB	
91	B13926112 SEAL STRIP, 1/8 X 1/2 X 17.5 (M7, M8, M9, M10, M11, M12)	M24 - AMS81405DNBC	
91	B13926113 SEAL STRIP, 1/8 X 1/2 X 21 (M13, M14, M15, M16, M17, M18)		
91	B13926114 SEAL STRIP, 1/8 X 1/2 X 24.5 (M19, M20, M21, M22, M23, M24)		
101	4015502 J-BOX COVER		
111	10690402 INTERLOCK SWITCH		
NS	0161F00006 AMANA NAMEPLATE		
NS	0159F00019 IGNITOR WIRE HARNESS ASSY (M1, M2, M4, M5, M7, M8, M10, M11, M13, M14, M16, M17, M19, M20, M22, M23)		
NS	0259F00051 IGNITOR WIRE HARNESS ASSY (M3, M6, M9, M12, M15, M18, M21, M24)		

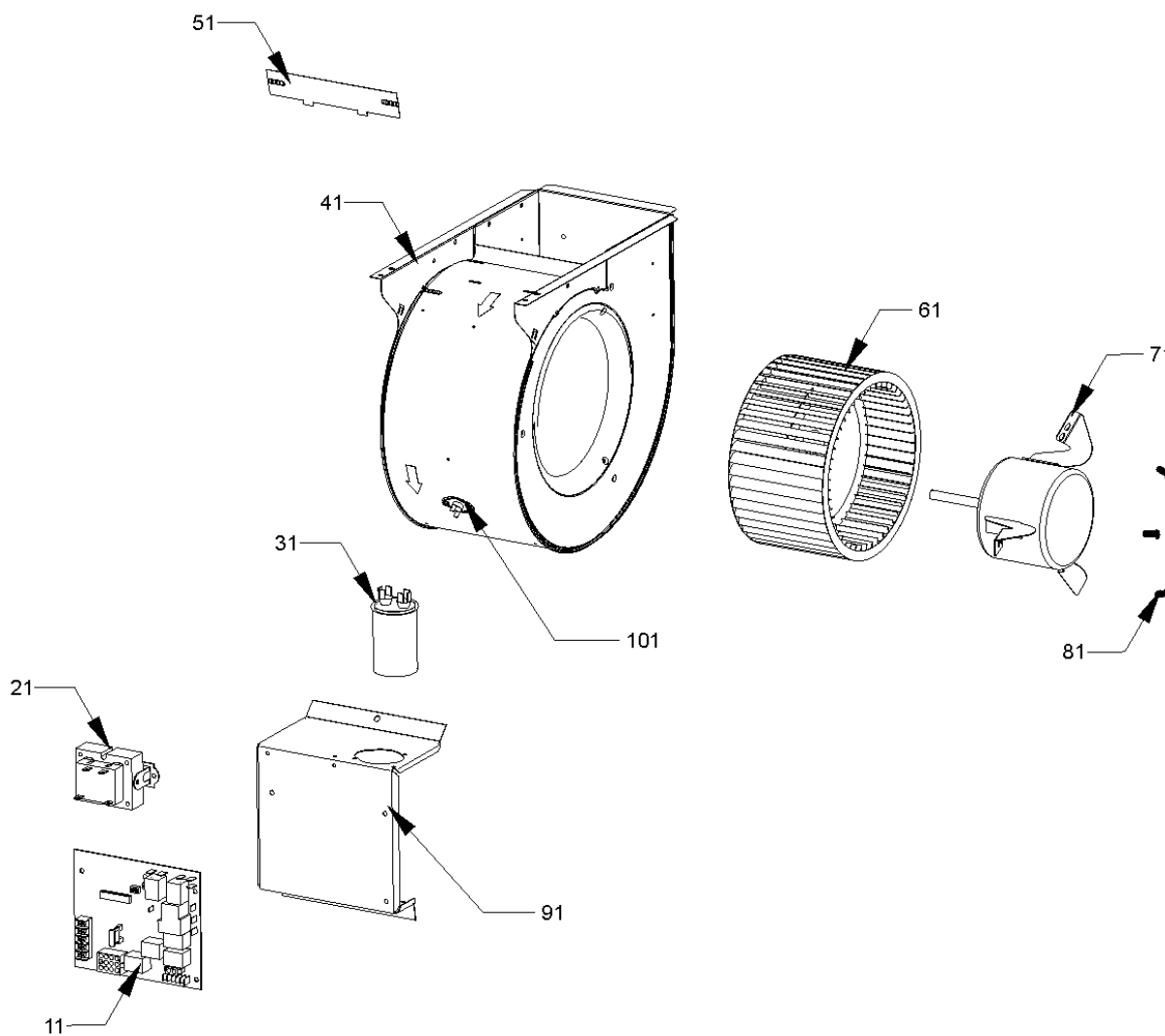
Heat Exchanger / Collector Box Assy



Heat Exchanger / Collector Box Assy

Ref. Part No: No:	Description:	Ref. Part No: No:	Description:
Image 1:		Image 1:	
11	0131M00002P VENT MOTOR	141	0151M00037 GAS VALVE (M2, M3, M5, M6, M8, M9, M11, M12, M14, M15, M17, M18, M20, M21, M23, M24)
21	0128F00006 CHIMNEY TRANSITION BOTTOM	141	0151M00013 GAS VALVE (HW) SINGLE STAGE (M1, M4, M7, M10, M13, M16, M19, M22)
31	0154F00003 VENT MOTOR GASKET 14" (M1, M2, M3, M4, M5, M6)	151	0121F00162 BURNER BOX TOP 2 CELL (M1, M2, M3)
31	0154F00004 VENT MOTOR GASKET 17.5" (M7, M8, M9, M10, M11, M12)	151	0121F00163 BURNER BOX TOP 3 CELL (M4, M5, M6, M7, M8, M9)
31	0154F00005 VENT MOTOR GASKET 21" (M13, M14, M15, M16, M17, M18)	151	0121F00164 BURNER BOX TOP 4 CELL (M10, M11, M12, M13, M14, M15)
31	0154F00006 VENT MOTOR GASKET 24.5" (M19, M20, M21, M22, M23, M24)	151	0121F00165 BURNER BOX TOP 5 CELL (M16, M17, M18)
41	4023500 CHIMNEY TRANSITION TOP	151	0121F00166 BURNER BOX TOP 6 CELL (M19, M20, M21, M22, M23, M24)
51	0121F00333 21" COLLECTOR BOX 1.75" DIA (M13, M14, M15, M16, M17, M18)	161	10123529 MANUAL RESET R.O.S. LIMIT (QTY 2)
51	0121F00330 24.5" COLLECTOR BOX 2.125" DIA (M19, M20, M21)	171	20165703 IGNITOR (M1, M2, M4, M5, M7, M8, M10, M11, M13, M14, M16, M17, M19, M20, M22, M23)
51	0121F00126 FLUE COLLECTOR BOX KIT 14" 1.25 DIA (M1, M2, M3)	171	0130F00008 IGNITOR-SINI 17 SEC (M3, M6, M9, M12, M15, M18, M21, M24)
51	0121F00198 FLUE COLLECTOR BOX KIT 14" 1.75 DIA (M4, M5, M6)	181	0130F00010 FLAME SENSOR
51	0121F00128 FLUE COLLECTOR BOX KIT 17.5" 1.75 DIA (M7, M8, M9, M10, M11, M12)	201	DY6.186.070 VENT MOTOR CAPACITOR
51	0121F00131 FLUE COLLECTOR BOX KIT 24.5" 3.5 DIA (M22, M23, M24)	Expanded Model Nomenclature	
61	0270F00931 HEAT EXCHANGER ASSY (M1, M2, M3)	<div style="border: 1px solid black; padding: 5px;"> M1 - AMS80403AXAA M2 - AMS80403AXAB M3 - AMS80403AXAC M4 - AMS80603AXAA M5 - AMS80603AXAB M6 - AMS80603AXAC M7 - AMS80604BXAA M8 - AMS80604BXAB M9 - AMS80604BXAC M10 - AMS80804BXAA M11 - AMS80804BXAB M12 - AMS80804BXAC M13 - AMS80805CXAA M14 - AMS80805CXAB M15 - AMS80805CXAC M16 - AMS81005CXAA M17 - AMS81005CXAB M18 - AMS81005CXAC M19 - AMS81205DXAA M20 - AMS81205DXAB M21 - AMS81205DXAC M22 - AMS81405DNBA M23 - AMS81405DNBB M24 - AMS81405DNBC </div>	
61	0270F00932 HEAT EXCHANGER ASSY (M4, M5, M6)		
61	0270F00933 HEAT EXCHANGER ASSY (M7, M8, M9)		
61	0270F00934 HEAT EXCHANGER ASSY (M10, M11, M12)		
61	0270F00935 HEAT EXCHANGER ASSY (M13, M14, M15)		
61	0270F00936 HEAT EXCHANGER ASSY (M16, M17, M18)		
61	0270F00937 HEAT EXCHANGER ASSY (M19, M20, M21, M22, M23, M24)		
71	20162904 *PRIMARY LIMIT-TEMPERATURE CONTROL (M4, M5, M6, M7, M8, M9, M10, M11, M12, M16, M17, M18) *Refer to service bulletin SF-054		
71	20162901 PRESSURE LIMIT-RED (M1, M2, M3)		
71	20162903 PRIMARY LIMIT - BLUE (M13, M14, M15, M19, M20, M21, M22, M23, M24)		
81	4028000 ORIFICE SHIELD 2 CELL (M1, M2, M3)		
81	4028001 ORIFICE SHIELD 3 CELL (M4, M5, M6, M7, M8, M9)		
81	4028002 ORIFICE SHIELD 4 CELL (M10, M11, M12, M13, M14, M15)		
81	4028003 ORIFICE SHIELD 5 CELL (M16, M17, M18)		
81	4028004 ORIFICE SHIELD 6 CELL (M19, M20, M21, M22, M23, M24)		
91	0121F00146 BURNER BOX SIDE (QTY 2)		
101	B4022700 INSHOT BURNER ASSY 3" (QTY 2)		
111	0121F00167 BURNER BRACKET 2B (M1, M2, M3)		
111	0121F00168 BURNER BRACKET 3B (M4, M5, M6, M7, M8, M9)		
111	0121F00169 BURNER BRACKET 4B (M10, M11, M12, M13, M14, M15)		
111	0121F00170 BURNER BRACKET 5B (M16, M17, M18)		
111	0121F00171 BURNER BRACKET 6B (M19, M20, M21, M22, M23, M24)		
121	10716005 ORIFICE (M1, M2, M3, M4, M5, M6, M7, M8, M9, M10, M11, M12, M13, M14, M15, M16, M17, M18, M19, M20, M21)		
131	0120F00006 MANIFOLD (M1, M2, M3)		
131	0120F00007 MANIFOLD (M4, M5, M6, M7, M8, M9)		
131	0120F00008 MANIFOLD (M10, M11, M12, M13, M14, M15)		
131	0120F00009 MANIFOLD (M16, M17, M18)		
131	0120F00010 MANIFOLD (M19, M20, M21, M22, M23, M24)		

Blower / Control Panel Assy



Blower / Control Panel Assy

Ref. Part
No: No:

Description:

Ref. Part
No: No:

Description:

Image 1:

11	PCBBF123S	IGNITION BOARD, HSI INTEGRATED (M1, M2, M4, M5, M7, M8, M10, M11, M13, M14, M16, M17, M19, M20, M22, M23)
11	PCBBF134	PCB, IGNITION, HSI, INTEG (M3, M6, M9, M12, M15, M18, M21, M24)
21	0130M00140	TRANSFORMER 120V TO 24V, 40VA
31	CAP125000370CP	CAP, 12.5 MFD/370V/ RD (M1, M2, M3, M4, M5, M6)
31	CAP200000370CP	CAP, 20 MFD/370V/ RD (M7, M8, M9, M10, M11, M12, M13, M14, M15, M16, M17, M18)
31	CAP250000370CP	CAP, 25 MFD/370V/ RD (M19, M20, M21, M22, M23, M24)
41	2539307	BLOWER HOUSING 10 X 10 (M13, M14, M15, M16, M17, M18, M19, M20, M21, M22, M23, M24)
41	2539305	BLOWER HOUSING 10 X 6 (M1, M2, M3, M4, M5, M6)
41	2539306	BLOWER HOUSING 10 X 8 (M7, M8, M9, M10, M11, M12)
51	764741	BLOWER BLOCK-OFF 10 X 10 (M13, M14, M15, M16, M17, M18, M19, M20, M21, M22, M23, M24)
51	764740	BLOWER BLOCK-OFF 10 X 8 (M7, M8, M9, M10, M11, M12)
51	764739	BLOWER CUT-OFF 10 X 6 (M1, M2, M3, M4, M5, M6)
61	B1368047	BLOWER WHEEL 10 X 10 (M13, M14, M15, M16, M17, M18)
61	B1368034	BLOWER WHEEL 10 X 6 (M1, M2, M3, M4, M5, M6)
61	B1368016	BLOWER WHEEL 10 X 8 (M7, M8, M9, M10, M11, M12)
61	B1368000	BLOWER WHEEL 11 X 10 (M19, M20, M21, M22, M23, M24)
71	0131F00022	BLOWER MOTOR 1/2 HP, 4 SP, 6 PL (M7, M8, M9, M10, M11, M12, M13, M14, M15, M16, M17, M18)
71	20046618	BLOWER MOTOR 3/4 HP (M19, M20, M21, M22, M23, M24)
71	0131F00027	BLOWER MOTOR, 1/3HP, 4SP, 6PL (M1, M2, M3, M4, M5, M6)
81	M0250558	TC SCREW (QTY 3)
91	1815817	CONTROL MOUNT PANEL
101	0130F00038	AUX LIMIT - LT BLUE 120°
NS	0259F00054	12-PIN WIRE HARNESS ASSY
NS	B1393802	SUPPORT, 2-WING BOARD, .187 MT (QTY 4)
NS	B1393803	SUPPORT, SINGLE-WING BOARD (.1

Expanded Model Nomenclature

M1 - AMS80403AXAA
M2 - AMS80403AXAB
M3 - AMS80403AXAC
M4 - AMS80603AXAA
M5 - AMS80603AXAB
M6 - AMS80603AXAC
M7 - AMS80604BXAA
M8 - AMS80604BXAB
M9 - AMS80604BXAC
M10 - AMS80804BXAA
M11 - AMS80804BXAB
M12 - AMS80804BXAC
M13 - AMS80805CXAA
M14 - AMS80805CXAB
M15 - AMS80805CXAC
M16 - AMS81005CXAA
M17 - AMS81005CXAB
M18 - AMS81005CXAC
M19 - AMS81205DXAA
M20 - AMS81205DXAB
M21 - AMS81205DXAC
M22 - AMS81405DNBA
M23 - AMS81405DNBB
M24 - AMS81405DNBC