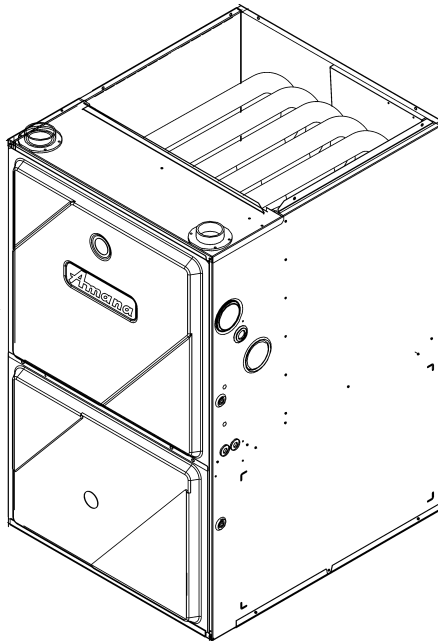


## AMH95 Amana® Brand 95% Hybrid Furnace

AMH950453BXAA  
AMH950453BXAB  
AMH950453BXAC  
AMH950703BXAA  
AMH950703BXAB  
AMH950703BXAC  
AMH950703BXAD  
AMH950704CXAA  
AMH950704CXAB  
AMH950704CXAC  
AMH950904CXAA  
AMH950904CXAB  
AMH950904CXAC  
AMH950904CXAD  
AMH950905CXAA  
AMH950905DXAA  
AMH950905DXAB  
AMH950905DXAC  
AMH951155DXAA  
AMH951155DXAB  
AMH951155DXAC  
AMH951155DXAD



Amana is a registered trademark of Maytag Corporation or its related companies and is used under license to Goodman Company, L.P., Houston, TX. All rights reserved.

This manual is to be used by qualified technicians only.

This manual replaces RP-409C

© 2006-2007, 2010 Goodman Company, L.P. ♦ 5151 San Felipe, Suite 500 ♦ Houston, TX 77056

# Important Information

---

## Index

Functional Parts List .....	3
Illustration and Parts .....	4 - 13

*Views shown are for parts illustrations only, not servicing procedures*

Revision D: Added AMH950905CXAA model

### Text Codes:

AR - As Required

NA - Not Available

NS - Not Shown

00000000 - See Note

QTY - Quantity Example (QTY 3) (If Quantity not shown, Quantity = 1)

M - Model Example (M1) (If M Code not shown, then part is used on all Models)

### Expanded Model Nomenclature:

Example M1 - Model#1 M2 - Model#2 M3 - Model#3
---

Goodman Company, L.P. is not responsible for personal injury or property damage resulting from improper service. Review all service information before beginning repairs.

Warranty service must be performed by an authorized technician, using authorized factory parts. If service is required after the warranty expires, Goodman Company, L.P. also recommends contacting an authorized technician and using authorized factory parts.

Goodman Company, L.P. reserves the right to discontinue, or change at any time, specifications or designs without notice or without incurring obligations.

For assistance within the U.S.A. contact:

Consumer Affairs Department  
Goodman Company, L.P.  
7401 Security Way  
Houston, Texas 77040  
877-254-4729-Telephone  
713-863-2382-Facsimile

For assistance outside the U.S.A. contact:

International Division  
Goodman Company, L.P.  
7401 Security Way  
Houston, Texas 77040  
713-861-2500-Telephone  
713-863-2382-Facsimile

# Functional Parts

## Part

## No: Description:

Part No:	Description:	Part No:	Description:																						
10735102S	BECKETT BURNER (QTY AR)	20162906	PRIMARY LIMIT - WHITE (M19, M20)																						
0131F00022	BLOWER MOTOR 1/2 HP, 4 SP, 6 PL (M8, M9, M10, M11, M12, M13, M14)	20162904	PRIMARY LIMIT-TEMPERATURE CONTROL (M1, M2, M3, M11, M12, M13, M14)																						
0131F00020	BLOWER MOTOR 1/3 HP, 4 SP, 6 PL (M1, M2, M3, M4, M5, M6, M7)	0130F00008S	SINI IGNITOR																						
10759415S	BLOWER MOTOR 3/4 HP, 4 SP, 8 PL (M15, M16, M17, M18, M19, M20, M21, M22)	0130F00110	SWITCH, PRESSURE (M15)																						
D6723311S	BLOWER WHEEL (M15, M16, M17, M18, M19, M20, M21, M22)	B1141605	TRANSFORMER 120V TO 24V, 40 VA																						
B1368047	BLOWER WHEEL 10 X 10 (M8, M9, M10, M11, M12, M13, M14)	<b>SPECIAL PARTS</b>																							
B1368058S	BLOWER WHEEL 10 X 8 (M1, M2, M3, M4, M5, M6, M7)	HI-115B	HOMEOWNERS INSTRUCTIONS																						
CAP125000370VAS	CAPACITOR 12.5/370V (M1, M2, M3, M4, M5, M6, M7)	IO-661	INSTALL INSTRUCTIONS																						
CAP150000370VAS	CAPACITOR 15/370V (M15, M16, M17, M18, M19, M20, M21, M22)	IO-669	INSTALL-HUMIDIFIER																						
CAP200000370VAS	CAPACITOR 20/370V (M8, M9, M10, M11, M12, M13, M14)	IO-297H	INSTRUCTIONS, INST (M15)																						
0130F00010	FLAME SENSOR	IO-297F	INSTRUCTIONS, INST (95%+) (M1, M2, M4, M5, M6, M8, M9, M11, M12, M13, M16, M17, M19, M20, M21)																						
0151M00014	GAS VALVE - HONEYWELL 2-STAGE (M3, M7, M10, M14, M15, M18, M22)	IO-297G	INSTRUCTIONS, INST (95%+) (M3, M7, M10, M14, M18, M22)																						
0151F00000P	GAS VALVE - WHITE-RODGERS 2-STAGE (M1, M2, M4, M5, M6, M8, M9, M11, M12, M13, M16, M17, M19, M20, M21)	<b>Expanded Model Nomenclature</b>																							
22307501S	ID BLOWER	<table border="1"> <tr><td>M1 - AMH950453BXAA</td></tr> <tr><td>M2 - AMH950453BXAB</td></tr> <tr><td>M3 - AMH950453BXAC</td></tr> <tr><td>M4 - AMH950703BXAA</td></tr> <tr><td>M5 - AMH950703BXAB</td></tr> <tr><td>M6 - AMH950703BXAC</td></tr> <tr><td>M7 - AMH950703BXAD</td></tr> <tr><td>M8 - AMH950704CXAA</td></tr> <tr><td>M9 - AMH950704CXAB</td></tr> <tr><td>M10 - AMH950704CXAC</td></tr> <tr><td>M11 - AMH950904CXAA</td></tr> <tr><td>M12 - AMH950904CXAB</td></tr> <tr><td>M13 - AMH950904CXAC</td></tr> <tr><td>M14 - AMH950904CXAD</td></tr> <tr><td>M15 - AMH950905CXAA</td></tr> <tr><td>M16 - AMH950905DXAA</td></tr> <tr><td>M17 - AMH950905DXAB</td></tr> <tr><td>M18 - AMH950905DXAC</td></tr> <tr><td>M19 - AMH951155DXAA</td></tr> <tr><td>M20 - AMH951155DXAB</td></tr> <tr><td>M21 - AMH951155DXAC</td></tr> <tr><td>M22 - AMH951155DXAD</td></tr> </table>		M1 - AMH950453BXAA	M2 - AMH950453BXAB	M3 - AMH950453BXAC	M4 - AMH950703BXAA	M5 - AMH950703BXAB	M6 - AMH950703BXAC	M7 - AMH950703BXAD	M8 - AMH950704CXAA	M9 - AMH950704CXAB	M10 - AMH950704CXAC	M11 - AMH950904CXAA	M12 - AMH950904CXAB	M13 - AMH950904CXAC	M14 - AMH950904CXAD	M15 - AMH950905CXAA	M16 - AMH950905DXAA	M17 - AMH950905DXAB	M18 - AMH950905DXAC	M19 - AMH951155DXAA	M20 - AMH951155DXAB	M21 - AMH951155DXAC	M22 - AMH951155DXAD
M1 - AMH950453BXAA																									
M2 - AMH950453BXAB																									
M3 - AMH950453BXAC																									
M4 - AMH950703BXAA																									
M5 - AMH950703BXAB																									
M6 - AMH950703BXAC																									
M7 - AMH950703BXAD																									
M8 - AMH950704CXAA																									
M9 - AMH950704CXAB																									
M10 - AMH950704CXAC																									
M11 - AMH950904CXAA																									
M12 - AMH950904CXAB																									
M13 - AMH950904CXAC																									
M14 - AMH950904CXAD																									
M15 - AMH950905CXAA																									
M16 - AMH950905DXAA																									
M17 - AMH950905DXAB																									
M18 - AMH950905DXAC																									
M19 - AMH951155DXAA																									
M20 - AMH951155DXAB																									
M21 - AMH951155DXAC																									
M22 - AMH951155DXAD																									
PCBBF122S	IGNITION BOARD, HSI INTEGRATED 2-STG																								
B1370818	INTERLOCK SWITCH																								
0130F00105	LIMIT SWITCH (M15)																								
10123519	MANUAL RESET LIMIT (M19, M20, M21, M22)																								
10123517	MANUAL RESET LIMIT (M15)																								
10123535	MANUAL RESET LIMIT-RED (M1, M2, M3, M4, M5, M6, M7, M8, M9, M10, M11, M12, M13, M14, M16, M17, M18)																								
10123533	MANUAL RESET LIMIT-YELLOW (M1, M2, M3, M4, M5, M6, M7, M8, M9, M10, M11, M12, M13, M14, M16, M17, M18, M19, M20, M21,																								
10716003	ORIFICE (QTY AR)																								
0130F00001P	PRESSURE SWITCH-GRAY (M11, M12, M13, M14)																								
0130F00001P	PRESSURE SWITCH-GRAY (M1, M2, M3, M8, M9, M10, M16, M17, M18, M19, M20, M21, M22)																								
20197312	PRESSURE SWITCH-LIGHT BLUE (M1, M2, M3, M4, M5, M6, M7, M8, M9, M10, M16, M17, M18)																								
0130F00002P	PRESSURE SWITCH-OLIVE (M4, M5, M6, M7)																								
20197310	PRESSURE SWITCH-ORANGE (M11, M12, M13, M14, M19, M20, M21, M22)																								
20197308	PRESSURE SWITCH-YELLOW (M15)																								
20162903	PRIMARY LIMIT - BLUE (M4, M5, M6, M7, M8, M9, M10, M16, M17, M18, M21, M22)																								
0130F00038	PRIMARY LIMIT - LT BLUE 120° (M15)																								

# Cabinet

Image 1

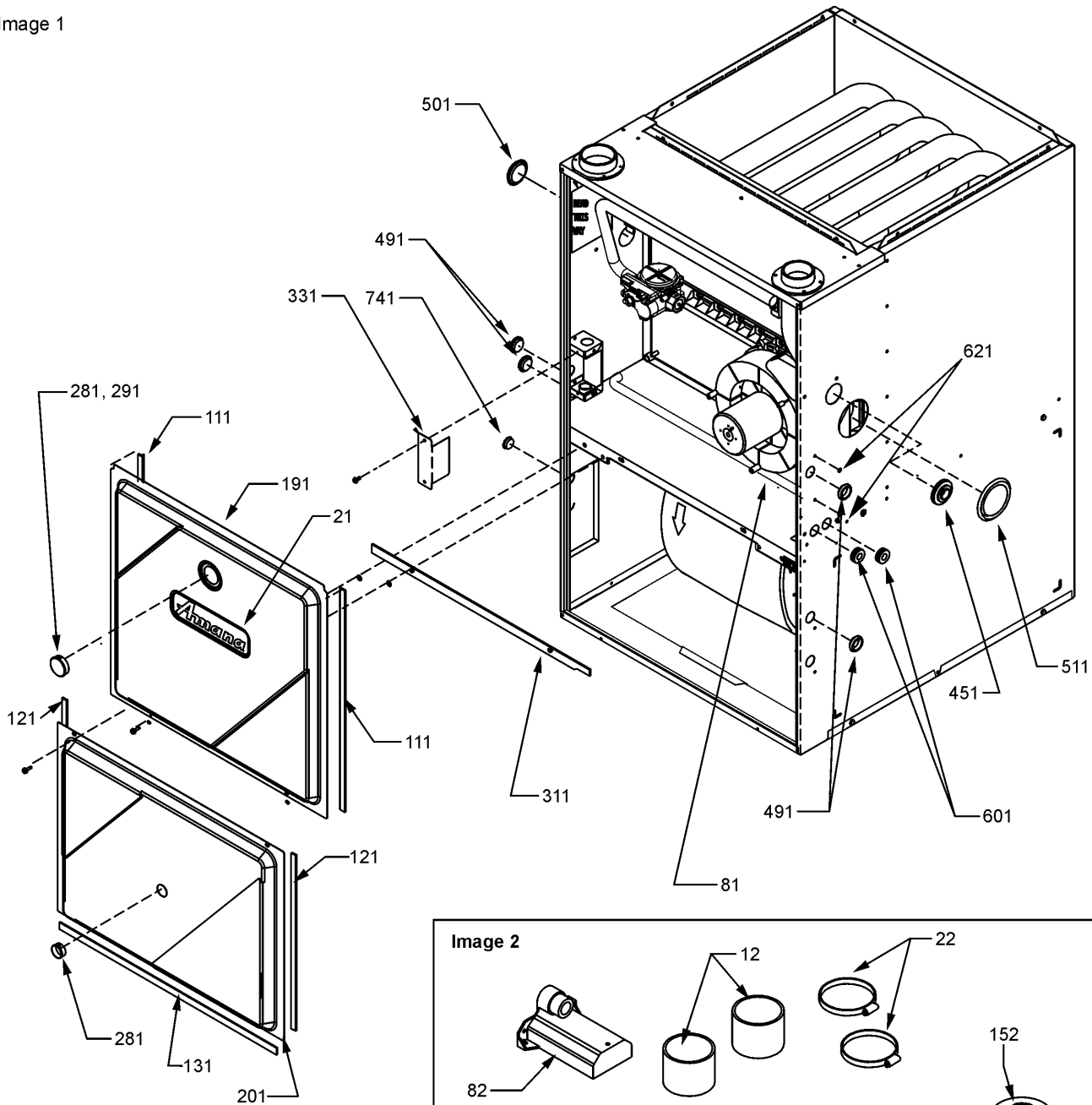
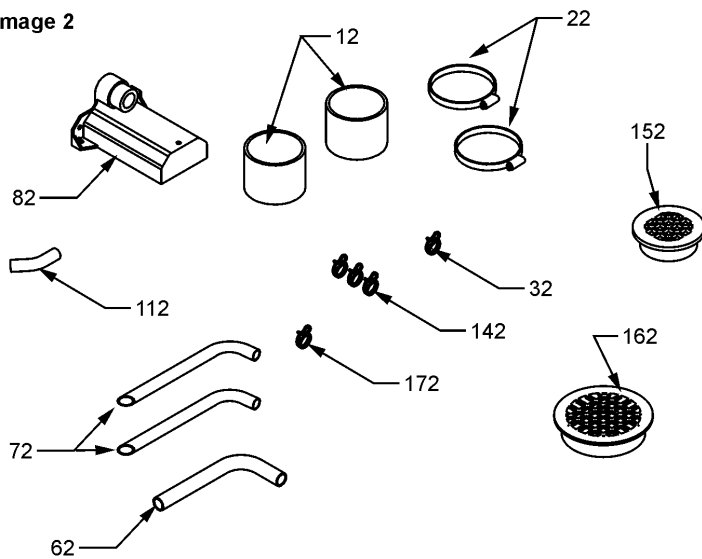


Image 2



# Cabinet

**Ref. Part  
No: No:**

**Description:**

**Ref. Part  
No: No:**

**Description:**

*Image 1:*

21	0161M00003P	AMANA NAMEPLATE
81	20201902	DRAIN HOSE
111	20179308	GASKET (QTY 2)
121	20179311	GASKET (M2, M3, M6, M7, M9, M10, M13, M14, M15, M17, M18, M21, M22)
131	20179311	GASKET (M2, M3, M6, M7)
131	20179312	GASKET (M9, M10, M13, M14, M15)
131	20179313	GASKET (M17, M18, M21, M22)
191	0121F00066LG	ACCESS DOOR (M1, M2, M3, M4, M5, M6, M7)
191	0121F00067LG	ACCESS DOOR (M8, M9, M10, M11, M12, M13, M14, M15)
191	0121F00068LG	ACCESS DOOR (M16, M17, M18, M19, M20, M21, M22)
201	0121F00063LG	BLOWER DOOR (M1, M2, M3, M4, M5, M6, M7)
201	0121F00064LGS	BLOWER DOOR (M8, M9, M10, M11, M12, M13, M14, M15)
201	0121F00065LGS	BLOWER DOOR (M16, M17, M18, M19, M20, M21, M22)
281	B1392139	VIEW PORT BUSHING-BLOWER DOOR
291	11104002	VIEW PORT BUSHING-ACCESS DOOR (M1, M4, M8, M11, M16, M19)
311	22320001	DECK GASKET (M1, M2, M3, M4, M5, M6, M7)
311	22320002	DECK GASKET (M8, M9, M10, M11, M12, M13, M14, M15)
311	22320003	DECK GASKET (M16, M17, M18, M19, M20, M21, M22)
331	10736201	COVER, HIGH VOLTAGE BOX (M1, M4, M8, M11, M16, M19)
451	M0501301	PIPE GROMMET
491	M0570808	BUTTON PLUG (QTY 4)
501	M0570806	BUTTON PLUG
511	M0570807	BUTTON PLUG
601	A4691701	GROMMET (QTY 2)
621	M0310345	BUTTON PLUG (QTY 2)
741	B1392104	UNIVERSAL BUSHING UB 875
NS	10195517Q	STANDPIPE BAG ASSY

*Image 2:*

12	10254303	RUBBER COUPLING
22	0163M00049	HOSE CLAMP (QTY 2)
32	M0119207	HOSE CLAMP
62	20201901	DRAIN HOSE
72	20201802	DRAIN TUBE (QTY 2)
82	20171701	DRAIN TRAP
112	20214203	DRAIN ANGLE
142	M0119205	HOSE CLAMP (QTY 3)
152	B2810816	2" MESH INSERT
162	B2810814	3" MESH INSERT
172	M0119206	HOSE CLAMP

Expanded Model Nomenclature

M1 - AMH950453BXAA
M2 - AMH950453BXAB
M3 - AMH950453BXAC
M4 - AMH950703BXAA
M5 - AMH950703BXAB
M6 - AMH950703BXAC
M7 - AMH950703BXAD
M8 - AMH950704CXAA
M9 - AMH950704CXAB
M10 - AMH950704CXAC
M11 - AMH950904CXAA
M12 - AMH950904CXAB
M13 - AMH950904CXAC
M14 - AMH950904CXAD
M15 - AMH950905CXAA
M16 - AMH950905DXAA
M17 - AMH950905DXAB
M18 - AMH950905DXAC
M19 - AMH951155DXAA
M20 - AMH951155DXAB
M21 - AMH951155DXAC
M22 - AMH951155DXAD

# Blower Assembly

Image 1

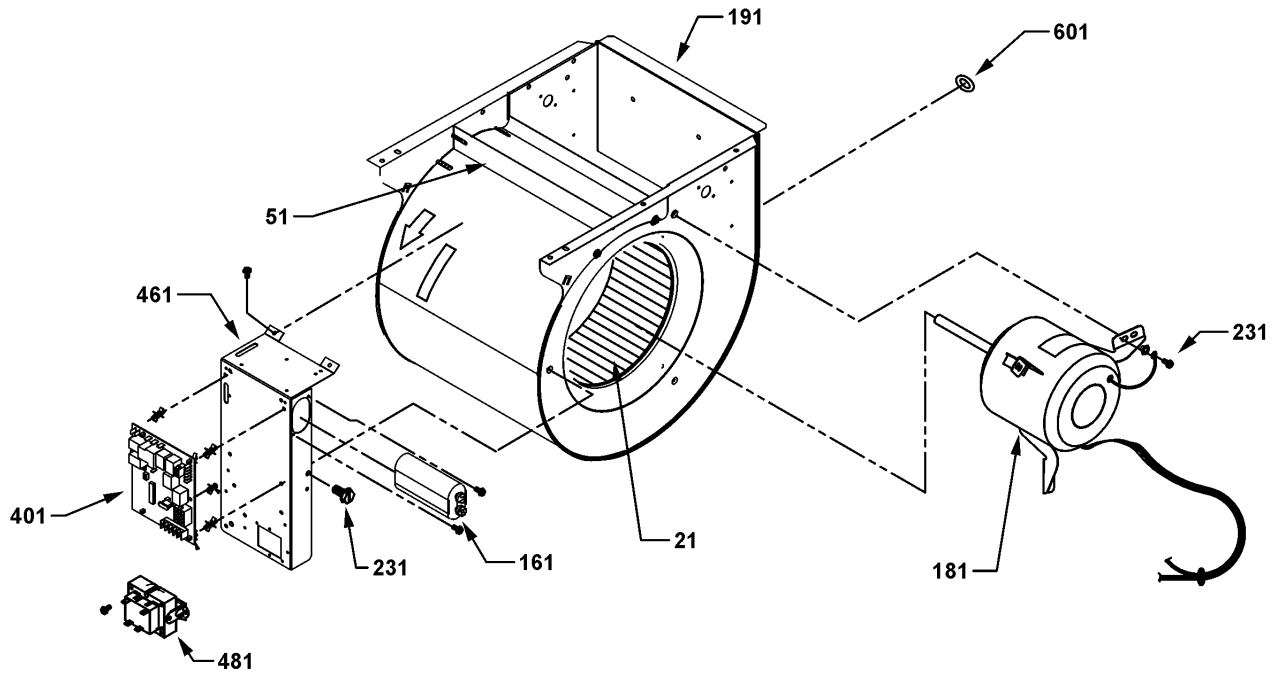
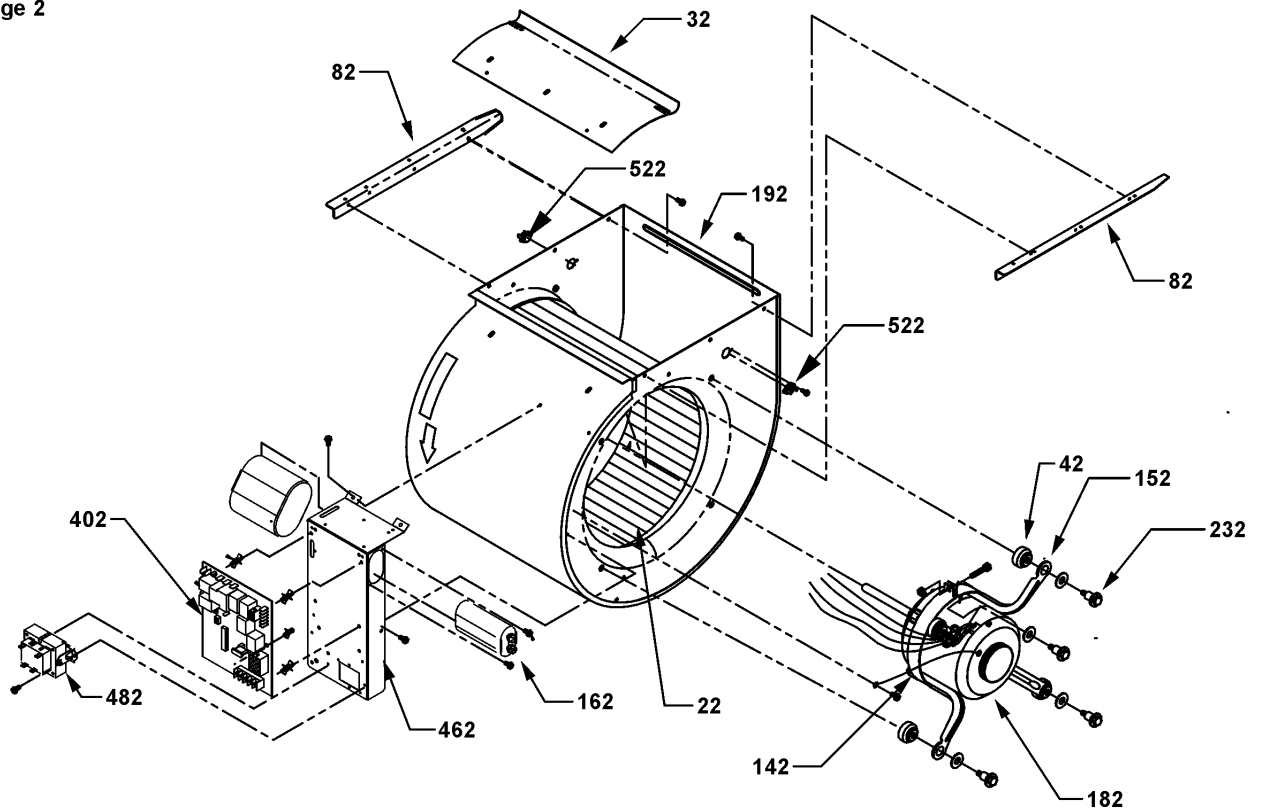


Image 2



# Blower Assembly

Ref. Part No:	No:	Description:	Ref. Part No:	No:	Description:			
<i>Image 1:</i>			<i>Image 2:</i>					
21	B1368047	BLOWER WHEEL 10 X 10 (M8, M9, M10, M11, M12, M13, M14)	522	0130F00038	PRIMARY LIMIT - LT BLUE 120° (M15)			
21	B1368058S	BLOWER WHEEL 10 X 8 (M1, M2, M3, M4, M5, M6, M7)	NS	0159F00002	HARNESS-WIRING (M16, M17, M18, M19, M20, M21, M22)			
51	764741F	BLOWER BLOCK-OFF 10 X 10 (M8, M9, M10, M11, M12, M13, M14)	NS	0159F00010	HARNESS-WIRING (M15)			
51	764740F	BLOWER BLOCK-OFF 10 X 8 (M1, M2, M3, M4, M5, M6, M7)	NS	0259F00024	WIRE HARNESS-BLOWER (M15)			
161	CAP125000370VAS	CAPACITOR 12.5/370V (M1, M2, M3, M4, M5, M6, M7)	<b>Expanded Model Nomenclature</b> M1 - AMH950453BXAA M2 - AMH950453BXAB M3 - AMH950453BXAC M4 - AMH950703BXAA M5 - AMH950703BXAB M6 - AMH950703BXAC M7 - AMH950703BXAD M8 - AMH950704CXAA M9 - AMH950704CXAB M10 - AMH950704CXAC M11 - AMH950904CXAA M12 - AMH950904CXAB M13 - AMH950904CXAC M14 - AMH950904CXAD M15 - AMH950905CXAA M16 - AMH950905DXAA M17 - AMH950905DXAB M18 - AMH950905DXAC M19 - AMH951155DXAA M20 - AMH951155DXAB M21 - AMH951155DXAC M22 - AMH951155DXAD					
161	CAP200000370VAS	CAPACITOR 20/370V (M8, M9, M10, M11, M12, M13, M14)						
181	0131F00022	BLOWER MOTOR 1/2 HP, 4 SP, 6 PL (M8, M9, M10, M11, M12, M13, M14)						
181	0131F00020	BLOWER MOTOR 1/3 HP, 4 SP, 6 PL (M1, M2, M3, M4, M5, M6, M7)						
191	0271F00003PS	BLOWER HOUSING ASSY 10 X 10 (M8, M9, M10, M11, M12, M13, M14)						
191	0271F00000P	BLOWER HOUSING ASSY 10 X 8 (M1, M2, M3, M4, M5, M6, M7)						
231	M0250558	TC SCREW (M1, M2, M3, M4, M5, M6, M7, M8, M9, M10, M11, M12, M13, M14)						
401	PCBBF122S	IGNITION BOARD, HSI INTEGRATED 2-STG						
461	0121F00025P	CONTROL BRACKET						
481	B1141605	TRANSFORMER 120V TO 24V, 40 VA						
601	B1392021	PLASTIC PLUG, 1" (2713-BLK) (M1, M2, M3, M4, M5, M6, M7, M8, M9, M10, M11, M12, M13, M14)						
NS	0159F00002	HARNESS-WIRING (M1, M2, M3, M4, M5, M6, M7, M8, M9, M10, M11, M12, M13, M14)						
<i>Image 2:</i>								
22	D6723311S	BLOWER WHEEL (M15, M16, M17, M18, M19, M20, M21, M22)						
32	C6121807	BLOWER CUT-OFF (M15, M16, M17, M18, M19, M20, M21, M22)						
42	A4002702	BLOWER MOTOR GROMMET (M15, M16, M17, M18, M19, M20, M21, M22)						
82	20175101	BLOWER SIDE RAIL (M15, M16, M17, M18, M19, M20, M21, M22)						
142	10441601	MOTOR MOUNT BAND (M15, M16, M17, M18, M19, M20, M21, M22)						
152	10441501	MOTOR MOUNT ARM (M15, M16, M17, M18, M19, M20, M21, M22)						
162	CAP150000370VAS	CAPACITOR 15/370V (M15, M16, M17, M18, M19, M20, M21, M22)						
182	10759415S	BLOWER MOTOR 3/4 HP, 4 SP, 8 PL (M15, M16, M17, M18, M19, M20, M21, M22)						
192	0271F00047	BLOWER HOUSING ASSY 11 X 10 (M15)						
192	0271F00048	BLOWER HOUSING ASSY 11 X 10 (M16, M17, M18, M19, M20, M21, M22)						
232	M0221461	TC SCREW (M15, M16, M17, M18, M19, M20, M21, M22)						
402	PCBBF122S	IGNITION BOARD, HSI INTEGRATED 2-STG						
462	0121F00025P	CONTROL BRACKET						
482	B1141605	TRANSFORMER 120V TO 24V, 40 VA						

# Chassis

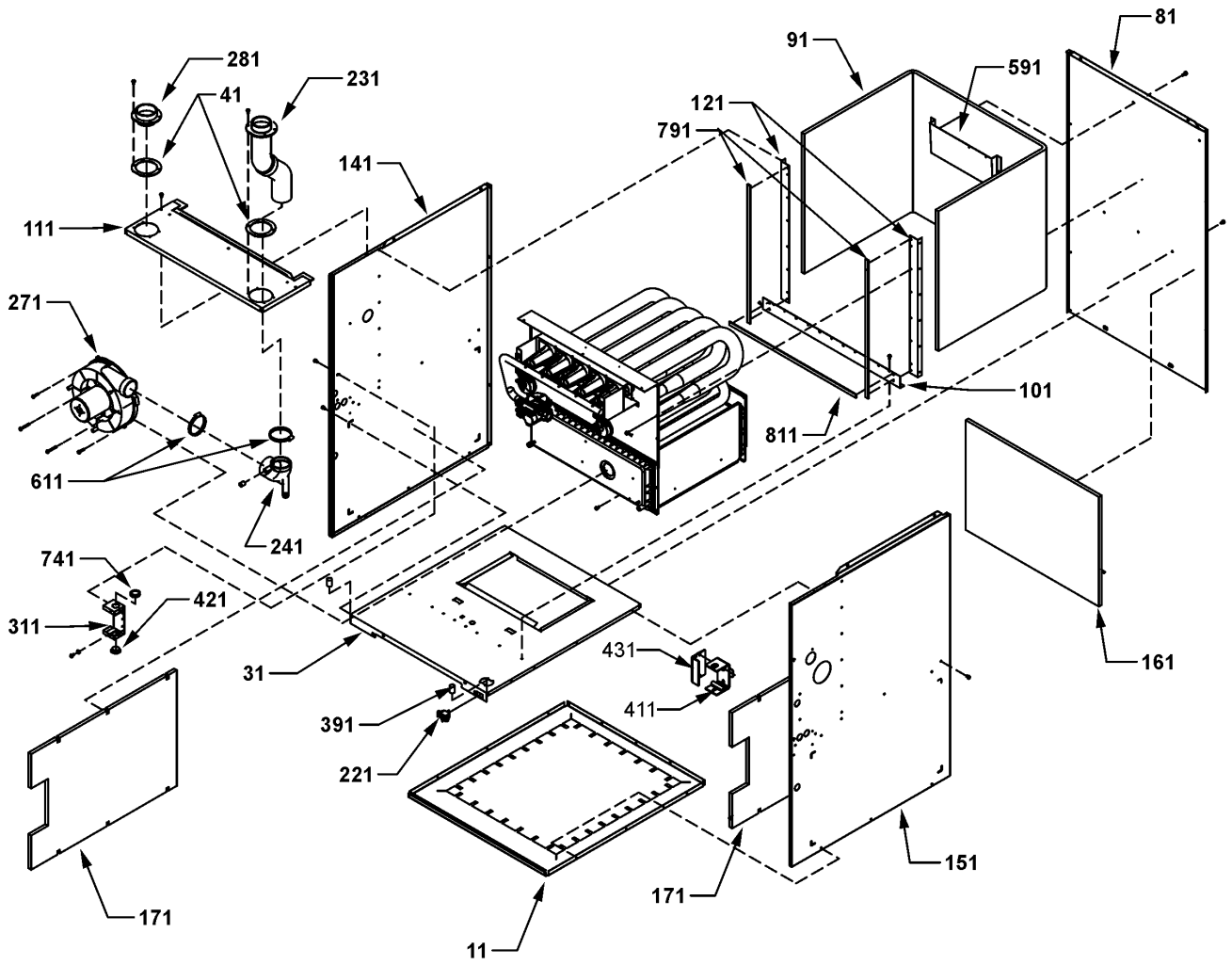
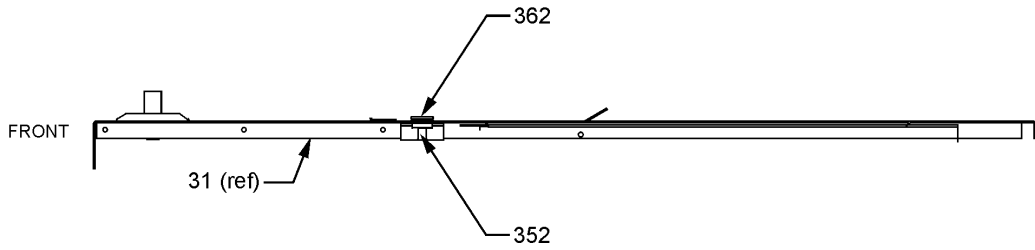


Image 2





# Chassis

Ref. Part No: No:	Description:	Ref. Part No: No:	Description:																						
<i>Image 1:</i>		<i>Image 1:</i>																							
11	0121F00050DGS	281	20049701																						
	BASE PAN (M1, M2, M3, M4, M5, M6, M7)		FA COUPLING																						
11	0121F00051DGS	311	10736102																						
	BASE PAN (M8, M9, M10, M11, M12, M13, M14, M15)		HIGH VOLTAGE BOX (M1, M4, M8, M11, M16, M19)																						
11	0121F00052DG	391	M0275521																						
	BASE PAN (M16, M17, M18, M19, M20, M21, M22)		PLASTIC SEALER																						
31	0121F00043	411	0161F00004S																						
	BLOWER DECK (M1, M2, M3, M4, M5, M6, M7)		JUNCTION BOX (M2, M3, M5, M6, M7, M9, M10, M12, M13, M14, M15, M17, M18, M20, M21, M22)																						
31	0121F00045	421	A4554801																						
	BLOWER DECK (M8, M9, M10, M11, M12, M13, M14)		SNAP BUSHING (M1, M4, M8, M11, M16, M19)																						
31	0121F00048	431	0161F00005S																						
	BLOWER DECK (M16, M17, M18, M19, M20, M21, M22)		JUNCTION BOX COVER (M2, M3, M5, M6, M7, M9, M10, M12, M13, M14, M15, M17, M18, M20, M21, M22)																						
31	0121F00246	591	11165107																						
	BLOWER DECK (M15)		ID BLOWER SHIELD																						
41	0154F00000P	611	0163M00049																						
	COIL GASKET (M1, M2, M3, M4, M5, M6, M7)		HOSE CLAMP (QTY 2)																						
41	0154F00001P	741	B1392104																						
	COIL GASKET (M8, M9, M10, M11, M12, M13, M14, M15)		UNIVERSAL BUSHING UB 875 (M1, M4, M8, M11, M16, M19)																						
41	0154F00002P	791	20194608																						
	COIL GASKET (M16, M17, M18, M19, M20, M21, M22)		GASKET (QTY 2)																						
81	20273208	811	20194605																						
	BACK PANEL (M1, M2, M3, M4, M5, M6, M7)		GASKET (M1, M2, M3, M4, M5, M6, M7)																						
81	20273210S	811	20194606																						
	BACK PANEL (M8, M9, M10, M11, M12, M13, M14, M15)		GASKET (M8, M9, M10, M11, M12, M13, M14, M15)																						
81	20273212S	811	20194607																						
	BACK PANEL (M16, M17, M18, M19, M20, M21, M22)		GASKET (M16, M17, M18, M19, M20, M21, M22)																						
91	C6415909	<i>Image 2:</i>																							
	HEAT EXCHANGER INSULATION (M16, M17, M18, M19, M20, M21, M22)	352	10861101																						
91	C6415910		AUXILIARY LIMIT BRACKET (M1, M2, M3, M4, M5, M6, M7, M8, M9, M10, M11, M12, M13, M14, M16, M17, M18, M19, M20, M21, M22)																						
	HEAT EXCHANGER INSULATION (M1, M2, M3, M4, M5, M6, M7)	362	10123519																						
91	C6415911		MANUAL RESET LIMIT (M19, M20, M21, M22)																						
	HEAT EXCHANGER INSULATION (M8, M9, M10, M11, M12, M13, M14, M15)	362	10123535																						
			MANUAL RESET LIMIT-RED (M1, M2, M3, M4, M5, M6, M7, M8, M9, M10, M11, M12, M13, M14, M16, M17, M18)																						
101	0121F00018P	Expanded Model Nomenclature																							
	DECK RAIL (M1, M2, M3, M4, M5, M6, M7)	<table border="1"> <tr><td>M1 - AMH950453BXAA</td></tr> <tr><td>M2 - AMH950453BXAB</td></tr> <tr><td>M3 - AMH950453BXAC</td></tr> <tr><td>M4 - AMH950703BXAA</td></tr> <tr><td>M5 - AMH950703BXAB</td></tr> <tr><td>M6 - AMH950703BXAC</td></tr> <tr><td>M7 - AMH950703BXAD</td></tr> <tr><td>M8 - AMH950704CXAA</td></tr> <tr><td>M9 - AMH950704CXAB</td></tr> <tr><td>M10 - AMH950704CXAC</td></tr> <tr><td>M11 - AMH950904CXAA</td></tr> <tr><td>M12 - AMH950904CXAB</td></tr> <tr><td>M13 - AMH950904CXAC</td></tr> <tr><td>M14 - AMH950904CXAD</td></tr> <tr><td>M15 - AMH950905CXAA</td></tr> <tr><td>M16 - AMH950905DXAA</td></tr> <tr><td>M17 - AMH950905DXAB</td></tr> <tr><td>M18 - AMH950905DXAC</td></tr> <tr><td>M19 - AMH951155DXAA</td></tr> <tr><td>M20 - AMH951155DXAB</td></tr> <tr><td>M21 - AMH951155DXAC</td></tr> <tr><td>M22 - AMH951155DXAD</td></tr> </table>		M1 - AMH950453BXAA	M2 - AMH950453BXAB	M3 - AMH950453BXAC	M4 - AMH950703BXAA	M5 - AMH950703BXAB	M6 - AMH950703BXAC	M7 - AMH950703BXAD	M8 - AMH950704CXAA	M9 - AMH950704CXAB	M10 - AMH950704CXAC	M11 - AMH950904CXAA	M12 - AMH950904CXAB	M13 - AMH950904CXAC	M14 - AMH950904CXAD	M15 - AMH950905CXAA	M16 - AMH950905DXAA	M17 - AMH950905DXAB	M18 - AMH950905DXAC	M19 - AMH951155DXAA	M20 - AMH951155DXAB	M21 - AMH951155DXAC	M22 - AMH951155DXAD
M1 - AMH950453BXAA																									
M2 - AMH950453BXAB																									
M3 - AMH950453BXAC																									
M4 - AMH950703BXAA																									
M5 - AMH950703BXAB																									
M6 - AMH950703BXAC																									
M7 - AMH950703BXAD																									
M8 - AMH950704CXAA																									
M9 - AMH950704CXAB																									
M10 - AMH950704CXAC																									
M11 - AMH950904CXAA																									
M12 - AMH950904CXAB																									
M13 - AMH950904CXAC																									
M14 - AMH950904CXAD																									
M15 - AMH950905CXAA																									
M16 - AMH950905DXAA																									
M17 - AMH950905DXAB																									
M18 - AMH950905DXAC																									
M19 - AMH951155DXAA																									
M20 - AMH951155DXAB																									
M21 - AMH951155DXAC																									
M22 - AMH951155DXAD																									
101	0121F00019P		DECK RAIL (M8, M9, M10, M11, M12, M13, M14, M15)																						
101	20191303		DECK RAIL (M16, M17, M18, M19, M20, M21, M22)																						
111	0270F00001PS		TOP COVER ASSY (M8, M9, M10, M11, M12, M13, M14, M15)																						
111	0270F00002PS		TOP COVER ASSY (M16, M17, M18, M19, M20, M21, M22)																						
111	0270F00100PS		TOP COVER ASSY (M1, M2, M3, M4, M5, M6, M7)																						
121	20191602		SIDE RAIL (M1, M2, M3, M4, M5, M6, M7)																						
121	20191603		SIDE RAIL (M8, M9, M10, M11, M12, M13, M14, M15)																						
121	20191604		SIDE RAIL (M16, M17, M18, M19, M20, M21, M22)																						
141	0121F00092DGS		SIDE PANEL LH																						
151	0121F00090DGS		SIDE PANEL RH																						
161	20006601		INSULATION (M1, M2, M3, M4, M5, M6, M7)																						
161	20006602		INSULATION (M8, M9, M10, M11, M12, M13, M14, M15)																						
161	20006603		INSULATION (M16, M17, M18, M19, M20, M21, M22)																						
171	20243503		SIDE INSULATION (QTY 2)																						
221	B1370818		INTERLOCK SWITCH																						
231	22309501		FLUE PIPE																						
241	20171802S		ELBOW																						
271	22307501S		ID BLOWER																						

# Manifold / Gas Valve

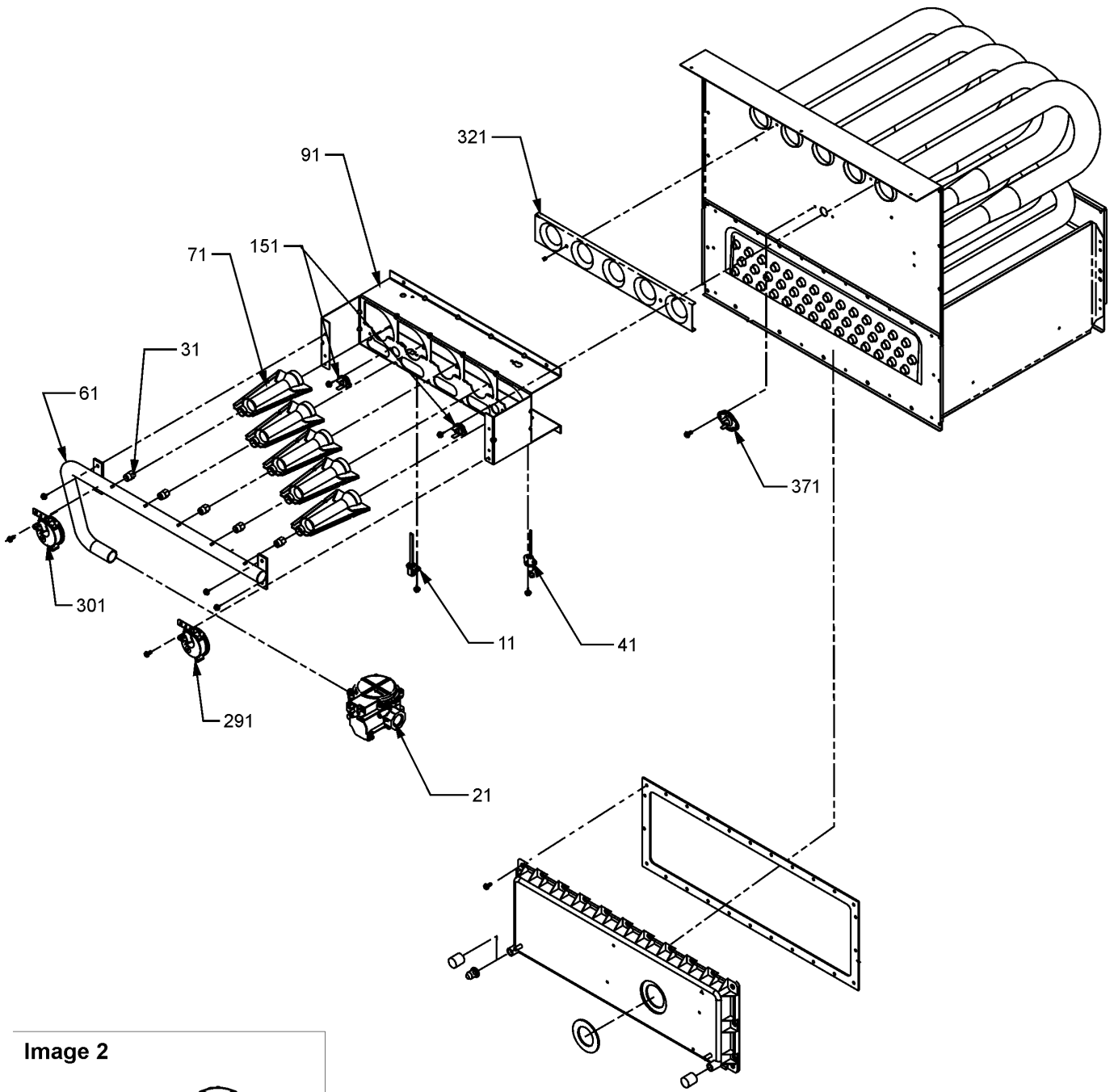
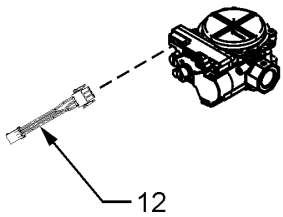


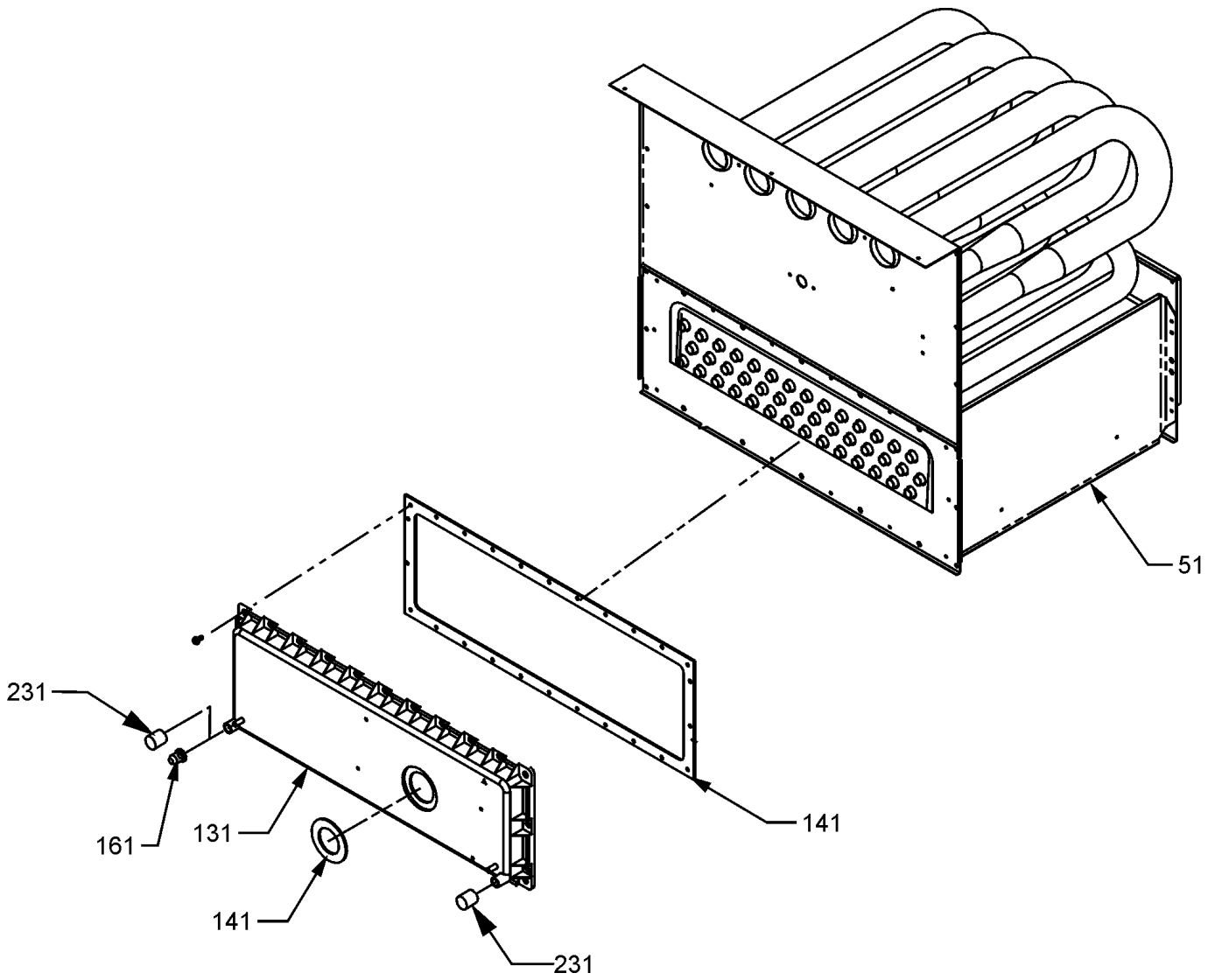
Image 2



# Manifold / Gas Valve

Ref. Part No:	No:	Description:	Ref. Part No:	No:	Description:																						
<i>Image 1:</i>			<i>Image 1:</i>																								
11	0130F00008S	SINI IGNITOR	NS	0164M00014	PRESSURE SWITCH HOSE (M16, M17, M18, M19, M20, M21, M22)																						
21	0151M00014	GAS VALVE - HONEYWELL 2-STAGE (M3, M7, M10, M14, M15, M18, M22)	NS	0164M00020	PRESSURE SWITCH HOSE (M9, M10)																						
21	0151F00000P	GAS VALVE - WHITE-RODGERS 2-STAGE (M1, M2, M4, M5, M6, M8, M9, M11, M12, M13, M16, M17, M19, M20, M21)	<i>Image 2:</i>																								
31	10716003	ORIFICE (QTY AR)	12	0259M00004	WIRE HARNESS, ADAPTOR (M3, M7, M10, M14, M18, M22)																						
41	0130F00010	FLAME SENSOR	Expanded Model Nomenclature																								
61	20196401	MANIFOLD - 2 BRNR (M1, M2, M3)	<table border="1"> <tr><td>M1 - AMH950453BXAA</td></tr> <tr><td>M2 - AMH950453BXAB</td></tr> <tr><td>M3 - AMH950453BXAC</td></tr> <tr><td>M4 - AMH950703BXAA</td></tr> <tr><td>M5 - AMH950703BXAB</td></tr> <tr><td>M6 - AMH950703BXAC</td></tr> <tr><td>M7 - AMH950703BXAD</td></tr> <tr><td>M8 - AMH950704CXAA</td></tr> <tr><td>M9 - AMH950704CXAB</td></tr> <tr><td>M10 - AMH950704CXAC</td></tr> <tr><td>M11 - AMH950904CXAA</td></tr> <tr><td>M12 - AMH950904CXAB</td></tr> <tr><td>M13 - AMH950904CXAC</td></tr> <tr><td>M14 - AMH950904CXAD</td></tr> <tr><td>M15 - AMH950905CXAA</td></tr> <tr><td>M16 - AMH950905DXAA</td></tr> <tr><td>M17 - AMH950905DXAB</td></tr> <tr><td>M18 - AMH950905DXAC</td></tr> <tr><td>M19 - AMH951155DXAA</td></tr> <tr><td>M20 - AMH951155DXAB</td></tr> <tr><td>M21 - AMH951155DXAC</td></tr> <tr><td>M22 - AMH951155DXAD</td></tr> </table>			M1 - AMH950453BXAA	M2 - AMH950453BXAB	M3 - AMH950453BXAC	M4 - AMH950703BXAA	M5 - AMH950703BXAB	M6 - AMH950703BXAC	M7 - AMH950703BXAD	M8 - AMH950704CXAA	M9 - AMH950704CXAB	M10 - AMH950704CXAC	M11 - AMH950904CXAA	M12 - AMH950904CXAB	M13 - AMH950904CXAC	M14 - AMH950904CXAD	M15 - AMH950905CXAA	M16 - AMH950905DXAA	M17 - AMH950905DXAB	M18 - AMH950905DXAC	M19 - AMH951155DXAA	M20 - AMH951155DXAB	M21 - AMH951155DXAC	M22 - AMH951155DXAD
M1 - AMH950453BXAA																											
M2 - AMH950453BXAB																											
M3 - AMH950453BXAC																											
M4 - AMH950703BXAA																											
M5 - AMH950703BXAB																											
M6 - AMH950703BXAC																											
M7 - AMH950703BXAD																											
M8 - AMH950704CXAA																											
M9 - AMH950704CXAB																											
M10 - AMH950704CXAC																											
M11 - AMH950904CXAA																											
M12 - AMH950904CXAB																											
M13 - AMH950904CXAC																											
M14 - AMH950904CXAD																											
M15 - AMH950905CXAA																											
M16 - AMH950905DXAA																											
M17 - AMH950905DXAB																											
M18 - AMH950905DXAC																											
M19 - AMH951155DXAA																											
M20 - AMH951155DXAB																											
M21 - AMH951155DXAC																											
M22 - AMH951155DXAD																											
61	20196402	MANIFOLD - 3 BRNR (M4, M5, M6, M7, M8, M9, M10)																									
61	20196403	MANIFOLD - 4 BRNR (M11, M12, M13, M14, M15, M16, M17, M18)																									
61	20196404	MANIFOLD - 5 BRNR (M19, M20, M21, M22)																									
71	10735102S	BECKETT BURNER (QTY AR)																									
91	20190410	BURNER BRACKET 2B (M1, M2, M3)																									
91	20190411	BURNER BRACKET 3B (M4, M5, M6, M7, M8, M9, M10)																									
91	20190412	BURNER BRACKET 4B (M11, M12, M13, M14, M15, M16, M17, M18)																									
91	20190413	BURNER BRACKET 5B (M19, M20, M21, M22)																									
151	10123517	MANUAL RESET LIMIT (M15)																									
151	10123533	MANUAL RESET LIMIT-YELLOW (M1, M2, M3, M4, M5, M6, M7, M8, M9, M10, M11, M12, M13, M14, M16, M17, M18, M19, M20, M21, M22)																									
291	0130F00001P	PRESSURE SWITCH-GRAY (M11, M12, M13, M14)																									
291	0130F00001P	PRESSURE SWITCH-GRAY (M1, M2, M3, M8, M9, M10, M16, M17, M18, M19, M20, M21, M22)																									
291	0130F00002P	PRESSURE SWITCH-OLIVE (M4, M5, M6, M7)																									
291	0130F00110	SWITCH, PRESSURE (M15)																									
301	20197312	PRESSURE SWITCH-LIGHT BLUE (M1, M2, M3, M4, M5, M6, M7, M8, M9, M10, M16, M17, M18)																									
301	20197310	PRESSURE SWITCH-ORANGE (M11, M12, M13, M14, M19, M20, M21, M22)																									
301	20197308	PRESSURE SWITCH-YELLOW (M15)																									
321	11072201	ORIFICE SHIELD (M1, M2, M3)																									
321	11072202	ORIFICE SHIELD (M4, M5, M6, M7, M8, M9, M10)																									
321	11072203	ORIFICE SHIELD (M11, M12, M13, M14, M15, M16, M17, M18)																									
321	11072204	ORIFICE SHIELD (M19, M20, M21, M22)																									
371	0130F00105	LIMIT SWITCH (M15)																									
371	20162903	PRIMARY LIMIT - BLUE (M4, M5, M6, M7, M8, M9, M10, M16, M17, M18, M21, M22)																									
371	20162906	PRIMARY LIMIT - WHITE (M19, M20)																									
371	20162904	PRIMARY LIMIT-TEMPERATURE CONTROL (M1, M2, M3, M11, M12, M13, M14)																									
NS	0164M00009	PRESSURE SWITCH HOSE																									
NS	0164M00011	PRESSURE SWITCH HOSE (M2, M3)																									
NS	0164M00012	PRESSURE SWITCH HOSE (M1, M4, M5, M6, M7, M8)																									
NS	0164M00013	PRESSURE SWITCH HOSE (M11, M12, M13, M14, M15)																									

# Heat Exchanger



# Heat Exchanger

Ref. Part No:	Ref. Part No:	Description:	Description:
---------------	---------------	--------------	--------------

Image 1:

51	0257F00143S	HEAT EXCHANGER ASSY 2B (M1, M2, M3)
51	0257F00146S	HEAT EXCHANGER ASSY 3B (M9, M10)
51	0257F00172S	HEAT EXCHANGER ASSY 3B (M4, M5, M6, M7)
51	0257F00140S	HEAT EXCHANGER ASSY 4B (M16, M17, M18)
51	0257F00173S	HEAT EXCHANGER ASSY 4B (M11, M12, M13, M14, M15)
51	0257F00174S	HEAT EXCHANGER ASSY 5B (M19, M20, M21, M22)
51	0257F00055	HEAT EXCHANGERASSY 3B (M8)
131	20170804AS	FRONT COVER (M1, M2, M3)
131	20170806AS	FRONT COVER (M4, M5, M6, M7)
131	20170901AS	FRONT COVER (M11, M12, M13, M14, M15)
131	20170905AS	FRONT COVER (M8, M9, M10)
131	20171003AS	FRONT COVER (M16, M17, M18)
131	20171004AS	FRONT COVER (M19, M20, M21, M22)
141	0154F00000P	COIL GASKET (M1, M2, M3, M4, M5, M6, M7)
141	0154F00001P	COIL GASKET (M8, M9, M10, M11, M12, M13, M14, M15)
141	0154F00002P	COIL GASKET (M16, M17, M18, M19, M20, M21, M22)
161	M0626804	TUBE PLUG
231	A1781105	CAP-VINYL .500 (QTY 2)

## Expanded Model Nomenclature

- M1 - AMH950453BXAA
- M2 - AMH950453BXAB
- M3 - AMH950453BXAC
- M4 - AMH950703BXAA
- M5 - AMH950703BXAB
- M6 - AMH950703BXAC
- M7 - AMH950703BXAD
- M8 - AMH950704CXAA
- M9 - AMH950704CXAB
- M10 - AMH950704CXAC
- M11 - AMH950904CXAA
- M12 - AMH950904CXAB
- M13 - AMH950904CXAC
- M14 - AMH950904CXAD
- M15 - AMH950905CXAA
- M16 - AMH950905DXAA
- M17 - AMH950905DXAB
- M18 - AMH950905DXAC
- M19 - AMH951155DXAA
- M20 - AMH951155DXAB
- M21 - AMH951155DXAC
- M22 - AMH951155DXAD