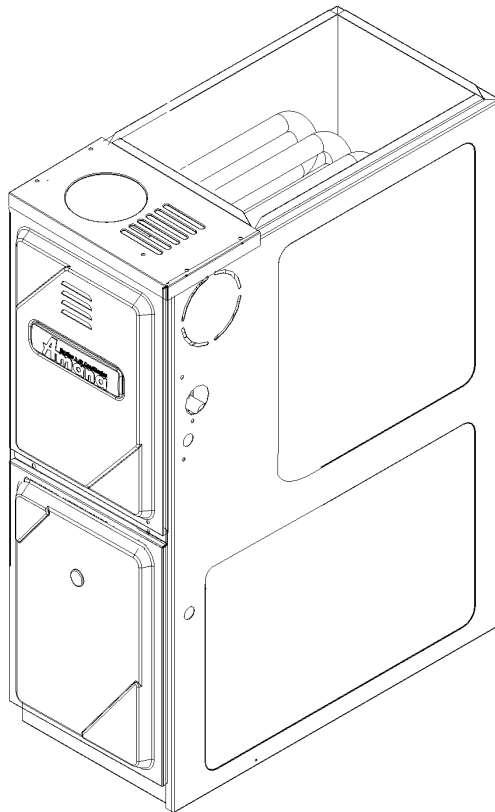


AMH80 Amana® brand 80% Upflow Hybrid 80% Furnace

AMH80453ANAA
AMH80453ANAB
AMH80453ANAC
AMH80703ANAA
AMH80703ANAB
AMH80703ANAC
AMH80704BNAA
AMH80704BNAB
AMH80704BNAC
AMH80903BNAA
AMH80903BNAB
AMH80903BNAC
AMH80904BNAA
AMH80904BNAB
AMH80904BNAC
AMH80905CNAA
AMH80905CNAB
AMH80905CNAC
AMH81155CNAA
AMH81155CNAB
AMH81155CNAC
AMH81405DNAA
AMH81405DNAB
AMH81405DNAC



Important Information

Index

Functional Parts List	3
Illustration and Parts	4 - 13

Views shown are for parts illustrations only, not servicing procedures

Rev. B: Added models AMH80453ANAC, AMH80703ANAC, AMH80704BNAC, AMH80903BNAC, AMH80904BNAC, AMH80905CNAC, AMH81155CNAC, and AMH81405DNAC.

Text Codes:

AR - As Required

NA - Not Available

NS - Not Shown

00000000 - See Note

QTY - Quantity Example (QTY 3) (If Quantity not shown, Quantity = 1)

M - Model Example (M1) (If M Code not shown, then part is used on all Models)

Expanded Model Nomenclature:

Example M1 - Model#1 M2 - Model#2 M3 - Model#3

Goodman Company, L.P. is not responsible for personal injury or property damage resulting from improper service. Review all service information before beginning repairs.

Warranty service must be performed by an authorized technician, using authorized factory parts. If service is required after the warranty expires, Goodman Company, L.P. also recommends contacting an authorized technician and using authorized factory parts.

Goodman Company, L.P. reserves the right to discontinue, or change at any time, specifications or designs without notice or without incurring obligations.

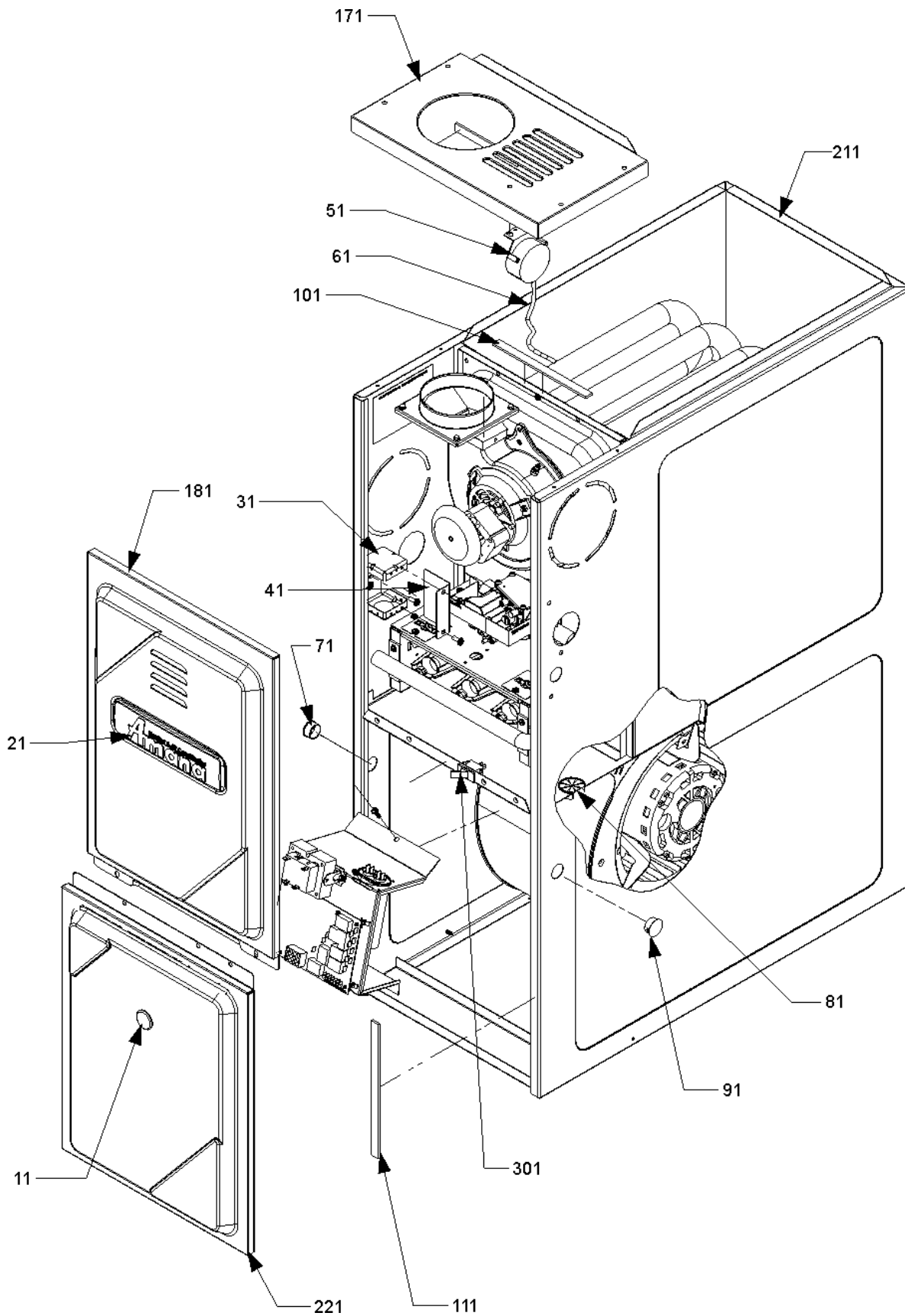
For assistance within the U.S.A. contact:

Consumer Affairs Department
Goodman Company, L.P.
7401 Security Way
Houston, Texas 77040
877-254-4729-Telephone
713-863-2382-Facsimile

For assistance outside the U.S.A. contact:

International Division
Goodman Company, L.P.
7401 Security Way
Houston, Texas 77040
713-861-2500-Telephone
713-863-2382-Facsimile

Cabinet



Cabinet

Ref Part No:	Description:	Ref. Part No:	Description:
<i>Image 1:</i>		Expanded Model Nomenclature	
11	B1392139 VIEW PORT BUSHING, CLEAR	M1	AMH80453ANAA
21	0161M00003P NAMEPLATE	M2	AMH80453ANAB
31	4014502 J-BOX	M3	AMH80453ANAC
41	4015502 J-BOX COVER	M4	AMH80703ANAA
51	B1370142 PRESSURE SWITCH 0.60" WC (M1, M2, M3, M4, M5, M6, M7, M10, M13, M17, M18, M23, M24)	M5	AMH80703ANAB
51	B1370179 PRESSURE SWITCH 0.75" WC (M11, M12, M14, M15, M22)	M6	AMH80703ANAC
51	B1370158 PRESSURE SWITCH -0.70" WC (M16, M19, M20, M21)	M7	AMH80704BNAA
51	B1370176 PRESSURE SWITCH 47 SP (M8, M9)	M8	AMH80704BNAB
61	A3468601 PRESSURE SWITCH HOSE	M9	AMH80704BNAC
71	B1392104 UNIVERSAL BUSHING UB 875	M10	AMH80903BNAA
81	B1392147 UNIVERSAL BUSHING WITH SLICE	M11	AMH80903BNAB
91	B1392019 PLASTIC PLUG .875 DIA	M12	AMH80903BNAC
101	B13926111 SEAL STRIP 1/8 X 1/2 X 14 (M1, M2, M3, M4, M5, M6)	M13	AMH80904BNAA
111	B13926112 SEAL STRIP 1/8 X 1/2 X 17.5 (M7, M8, M9, M10, M11, M12, M13, M14, M15)	M14	AMH80904BNAB
111	B13926113 SEAL STRIP 1/8 X 1/2 X 21 (M16, M17, M18, M19, M20, M21)	M15	AMH80904BNAC
111	B13926114 SEAL STRIP 1/8 X 1/2 X 24.5 (M22, M23, M24)	M16	AMH80905CNAA
171	0221F00000PDG TOP 14" (M1, M2, M3, M4, M5, M6)	M17	AMH80905CNAB
171	0221F00001PDG TOP 17.5" (M7, M8, M9, M10, M11, M12, M13, M14, M15)	M18	AMH80905CNAC
171	0221F00002PDG TOP 21" (M16, M17, M18, M19, M20, M21)	M19	AMH81155CNAA
171	0221F00003PDG TOP 24.5" (M22, M23, M24)	M20	AMH81155CNAB
181	4012007PLG ACCESS DOOR 14" (M1, M2, M3, M4, M5, M6)	M21	AMH81155CNAC
181	4012008PLG ACCESS DOOR 17.5" (M7, M8, M9, M10, M11, M12, M13, M14, M15)	M22	AMH81405DNAA
181	4012009PLG ACCESS DOOR 21" (M16, M17, M18, M19, M20, M21)	M23	AMH81405DNAB
181	4012010PLG ACCESS DOOR 24.5" (M22, M23, M24)	M24	AMH81405DNAC
211	0270F00010P INSULATED ASSY, WRAPPER 14" (M1, M2, M3, M4, M5, M6)		
211	0270F00011P INSULATED ASSY, WRAPPER 17.5" (M7, M8, M9, M10, M11, M12, M13, M14, M15)		
211	0270F00012P INSULATED ASSY, WRAPPER 21" (M16, M17, M18, M19, M20, M21)		
211	0270F00013P INSULATED ASSY, WRAPPER 24.5" (M22, M23, M24)		
221	4015004PLG BLOWER DOOR 14" (M1, M2, M3, M4, M5, M6)		
221	4015005PLG BLOWER DOOR 17.5" (M7, M8, M9, M10, M11, M12, M13, M14, M15)		
221	4015006PLG BLOWER DOOR 21" (M16, M17, M18, M19, M20, M21)		
221	4015007PLG BLOWER DOOR 24.5" (M22, M23, M24)		
301	B1370818 INTERLOCK SWITCH		

Blower Assy/Control Panel

Image 1

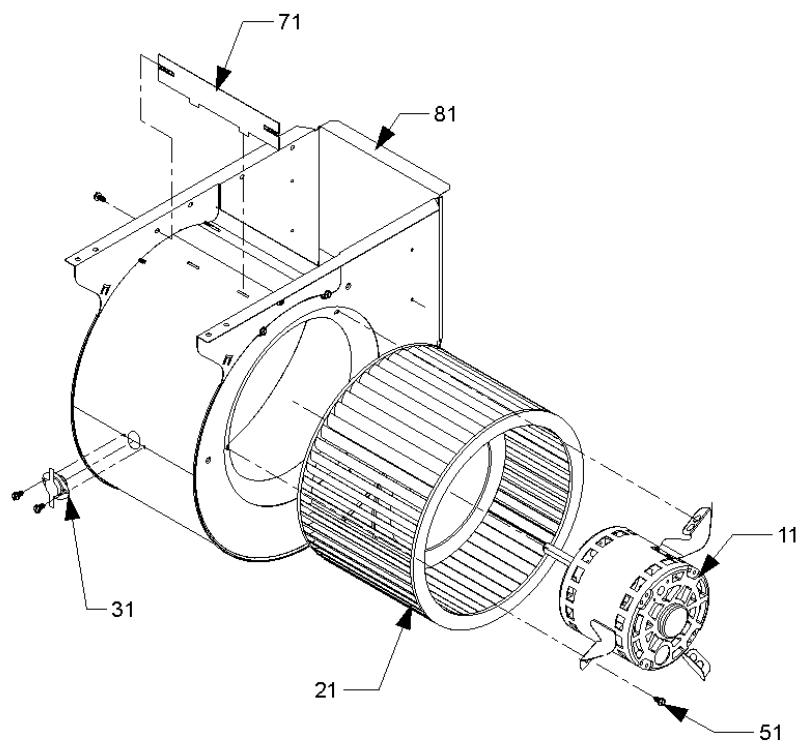
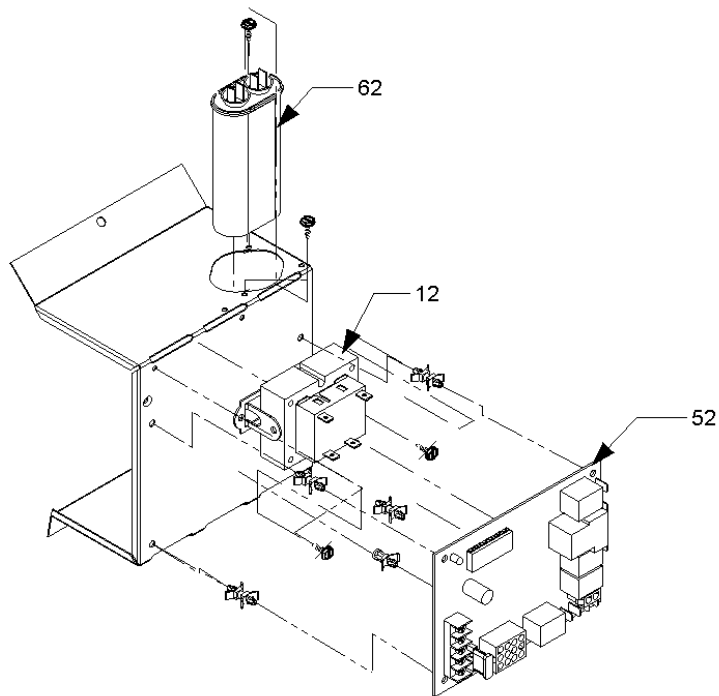


Image 2



Blower Assy/Control Panel

Ref Part No:	Description:	Ref. Part No:	Description:
<i>Image 1:</i>		Expanded Model Nomenclature	
11	20046618S BLOWER MOTOR 3/4 HP (M22, M23, M24)	M1 - AMH80453ANAA	
11	B1340024S MOTOR 1/2 HP, 4 SP, 6 PL (M7, M8, M9, M13, M14, M15, M16, M17, M18, M19, M20, M21)	M2 - AMH80453ANAB	
11	B1340025S MOTOR 1/3 HP, 4 SP, 6 PL (M1, M2, M3, M4, M5, M6, M10, M11, M12)	M3 - AMH80453ANAC	
21	B1368047A BLOWER WHEEL 10 X 10 (M16, M17, M18, M19, M20, M21, M22, M23, M24)	M4 - AMH80703ANAA	
21	B1368034S BLOWER WHEEL 10 X 6 (M1, M2, M3, M4, M5, M6)	M5 - AMH80703ANAB	
21	B1368016S BLOWER WHEEL 10 X 8 (M7, M8, M9, M13, M14, M15)	M6 - AMH80703ANAC	
21	B1368058S BLOWER WHEEL 10 X 8 (M10, M11, M12)	M7 - AMH80704BNAA	
31	B1370155 AUXILIARY LIMIT SWITCH 120°F	M8 - AMH80704BNAB	
51	B1393331 MACHINE SCREW, 1/4-20 TYPE F SLOTTED (QTY 3)	M9 - AMH80704BNAC	
71	764741F BLOWER BLOCK-OFF 10 X 10 (M16, M17, M18, M19, M20, M21, M22, M23, M24)	M10 - AMH80903BNAA	
71	764739 BLOWER BLOCK-OFF 10 X 6 (M1, M2, M3, M4, M5, M6)	M11 - AMH80903BNAB	
71	764740F BLOWER BLOCK-OFF 10 X 8 (M7, M8, M9, M10, M11, M12, M13, M14, M15)	M12 - AMH80903BNAC	
81	2539307S BLOWER SHELL ASSY 10 X 10 (M16, M17, M18, M19, M20, M21, M22, M23, M24)	M13 - AMH80904BNAA	
81	2539305S BLOWER SHELL ASSY 10 X 6 (M1, M2, M3, M4, M5, M6)	M14 - AMH80904BNAB	
81	2539306S BLOWER SHELL ASSY 10 X 8 (M7, M8, M9, M10, M11, M12, M13, M14, M15)	M15 - AMH80904BNAC	
NS	0259F00018 WIRE HARNESS ASSY, 12-PIN HYBRID	M16 - AMH80905CNAA	
<i>Image 2:</i>		M17 - AMH80905CNAB	
12	B1141605 TRANSFORMER 120V TO 24V, 40VA	M18 - AMH80905CNAC	
52	PCBBF109S IGNITION BOARD, HSI INTEGRATED, 2 STAGE	M19 - AMH81155CNAA	
62	CAP125000370RPSCAPACITOR 12.5/370V (M1, M2, M3, M4, M5, M6, M10, M11, M12)	M20 - AMH81155CNAB	
62	CAP200000370RPSCAPACITOR 20/370V (M7, M8, M9, M13, M14, M15, M16, M17, M18, M19, M20, M21)	M21 - AMH81155CNAC	
62	CAP250000370RPSCAPACITOR 25/370V (M22, M23, M24)	M22 - AMH81405DNAA	
		M23 - AMH81405DNAB	
		M24 - AMH81405DNAC	

Heat Exchanger Assy/Flue Collector Box w/Separate Chimney Assy

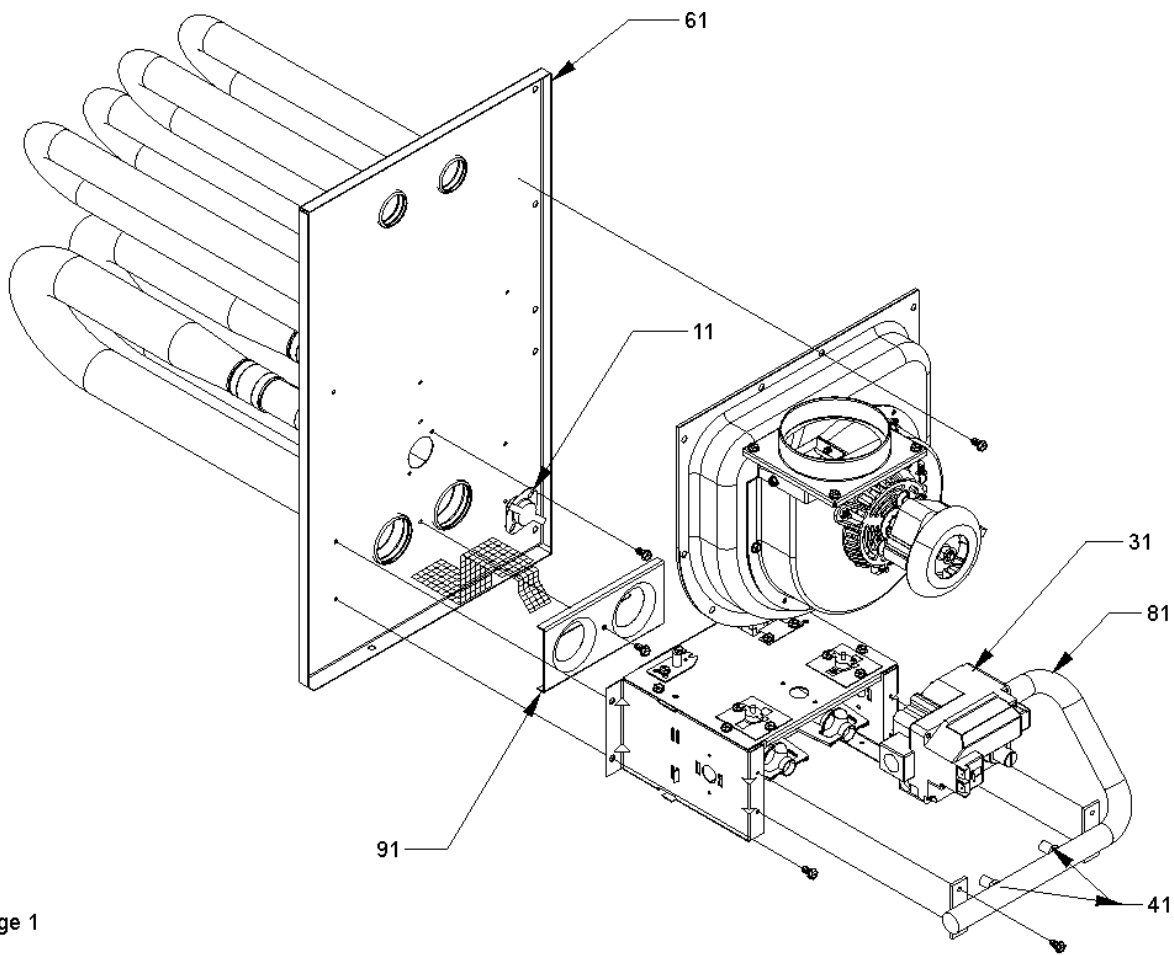
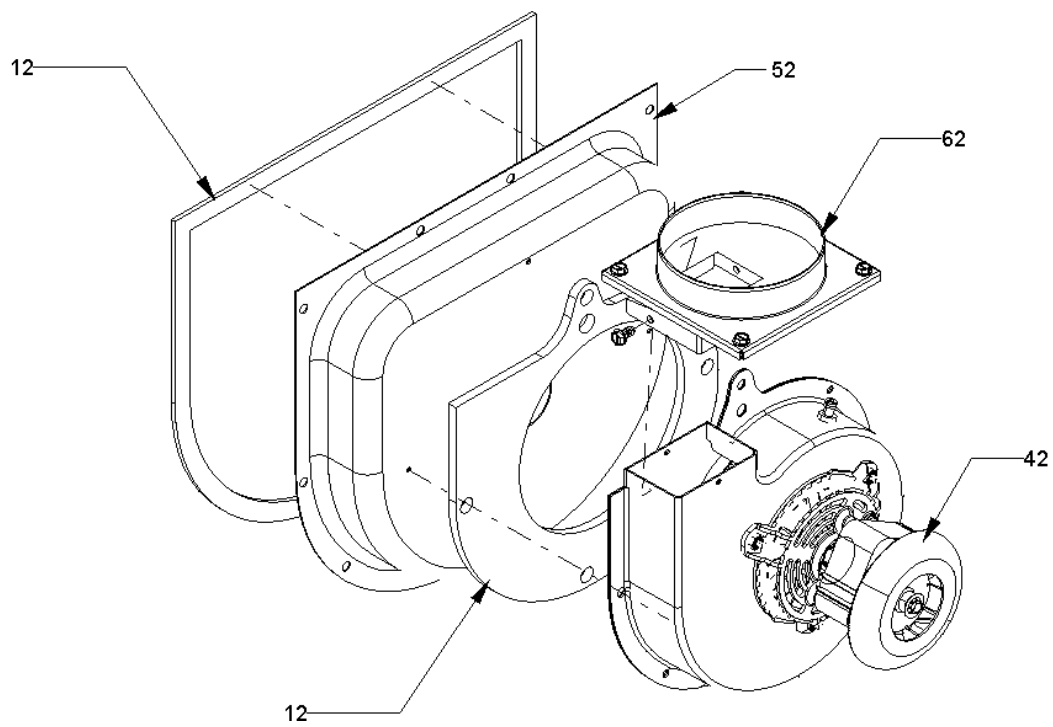


Image 1

Image 2



Heat Exchanger Assy/Flue Collector Box w/Separate Chimney Assy

Ref Part No:	Description:	Ref. Part No:	Description:																								
<i>Image 1:</i>		52	4010016S FLUE COLLECTOR BOX 21.0" 2.000 MOD A (M16, M18)																								
11	B1370198 PRIMARY LIMIT SWITCH 150°F (M10, M12, M19, M21, M22, M24)	52	4010017S FLUE COLLECTOR BOX 21.0" 2.250 MOD A (M19, M21)																								
11	B1370187 PRIMARY LIMIT SWITCH 160°F (M4, M6)	52	4010018S FLUE COLLECTOR BOX 24.5" 3.625 MOD A (M22, M24)																								
11	B1370188 PRIMARY LIMIT SWITCH 170°F (M7, M9, M13, M15)	62	4053501S CHIMNEY ASSEMBLY (M1, M3, M4, M6, M7, M9, M10, M12, M13, M15, M16, M18, M19, M21, M22, M24)																								
11	B1370189 PRIMARY LIMIT SWITCH 200°F (M16, M18)	Expanded Model Nomenclature																									
11	B1370190 PRIMARY LIMIT SWITCH 210°F (M1, M3)	<table border="1"> <tr><td>M1 - AMH80453ANAA</td></tr> <tr><td>M2 - AMH80453ANAB</td></tr> <tr><td>M3 - AMH80453ANAC</td></tr> <tr><td>M4 - AMH80703ANAA</td></tr> <tr><td>M5 - AMH80703ANAB</td></tr> <tr><td>M6 - AMH80703ANAC</td></tr> <tr><td>M7 - AMH80704BNAA</td></tr> <tr><td>M8 - AMH80704BNAB</td></tr> <tr><td>M9 - AMH80704BNAC</td></tr> <tr><td>M10 - AMH80903BNAA</td></tr> <tr><td>M11 - AMH80903BNAB</td></tr> <tr><td>M12 - AMH80903BNAC</td></tr> <tr><td>M13 - AMH80904BNAA</td></tr> <tr><td>M14 - AMH80904BNAB</td></tr> <tr><td>M15 - AMH80904BNAC</td></tr> <tr><td>M16 - AMH80905CNAA</td></tr> <tr><td>M17 - AMH80905CNAB</td></tr> <tr><td>M18 - AMH80905CNAC</td></tr> <tr><td>M19 - AMH81155CNAA</td></tr> <tr><td>M20 - AMH81155CNAB</td></tr> <tr><td>M21 - AMH81155CNAC</td></tr> <tr><td>M22 - AMH81405DNAA</td></tr> <tr><td>M23 - AMH81405DNAB</td></tr> <tr><td>M24 - AMH81405DNAC</td></tr> </table>		M1 - AMH80453ANAA	M2 - AMH80453ANAB	M3 - AMH80453ANAC	M4 - AMH80703ANAA	M5 - AMH80703ANAB	M6 - AMH80703ANAC	M7 - AMH80704BNAA	M8 - AMH80704BNAB	M9 - AMH80704BNAC	M10 - AMH80903BNAA	M11 - AMH80903BNAB	M12 - AMH80903BNAC	M13 - AMH80904BNAA	M14 - AMH80904BNAB	M15 - AMH80904BNAC	M16 - AMH80905CNAA	M17 - AMH80905CNAB	M18 - AMH80905CNAC	M19 - AMH81155CNAA	M20 - AMH81155CNAB	M21 - AMH81155CNAC	M22 - AMH81405DNAA	M23 - AMH81405DNAB	M24 - AMH81405DNAC
M1 - AMH80453ANAA																											
M2 - AMH80453ANAB																											
M3 - AMH80453ANAC																											
M4 - AMH80703ANAA																											
M5 - AMH80703ANAB																											
M6 - AMH80703ANAC																											
M7 - AMH80704BNAA																											
M8 - AMH80704BNAB																											
M9 - AMH80704BNAC																											
M10 - AMH80903BNAA																											
M11 - AMH80903BNAB																											
M12 - AMH80903BNAC																											
M13 - AMH80904BNAA																											
M14 - AMH80904BNAB																											
M15 - AMH80904BNAC																											
M16 - AMH80905CNAA																											
M17 - AMH80905CNAB																											
M18 - AMH80905CNAC																											
M19 - AMH81155CNAA																											
M20 - AMH81155CNAB																											
M21 - AMH81155CNAC																											
M22 - AMH81405DNAA																											
M23 - AMH81405DNAB																											
M24 - AMH81405DNAC																											
31	0151F00000P GAS VALVE (M1, M3, M4, M6, M7, M9, M10, M12, M13, M15, M16, M18, M19, M21, M22, M24)																										
41	10716003 ORIFICE (M1, M3, M4, M6, M7, M9, M10, M12, M13, M15, M16, M18, M19, M21, M22, M24)																										
61	4021313S HEAT EXCHANGER SUB-ASSY 2 CELL 14" (M1, M3)																										
61	4021314S HEAT EXCHANGER SUB-ASSY 3 CELL 14" (M4, M6)																										
61	4021315S HEAT EXCHANGER SUB-ASSY 3 CELL 17.5" (M7, M9)																										
61	4021316S HEAT EXCHANGER SUB-ASSY 4 CELL 17.5" (M10, M12, M13, M15)																										
61	4021317S HEAT EXCHANGER SUB-ASSY 4 CELL 21" (M16, M18)																										
61	4021318S HEAT EXCHANGER SUB-ASSY 5 CELL 21" (M19, M21)																										
61	4021319S HEAT EXCHANGER SUB-ASSY 6 CELL 24.5" (M22, M24)																										
81	B4026005 GAS MANIFOLD 2 CELL (M1, M3)																										
81	B4026006 GAS MANIFOLD 3 CELL (M4, M6, M7, M9)																										
81	B4026007 GAS MANIFOLD 4 CELL (M10, M12, M13, M15, M16, M18)																										
81	B4026008 GAS MANIFOLD 5 CELL (M19, M21)																										
81	B4026009 GAS MANIFOLD 6 CELL (M22, M24)																										
91	4028000 ORIFICE PLATE 2 CELL (M1, M3)																										
91	4028001 ORIFICE PLATE 3 CELL (M4, M6, M7, M9)																										
91	4028002 ORIFICE PLATE 4 CELL (M10, M12, M13, M15, M16, M18)																										
91	4028003 ORIFICE PLATE 5 CELL (M19, M21)																										
91	4028004 ORIFICE PLATE 6 CELL (M22, M24)																										
<i>Image 2:</i>																											
12	B1392633 VENT MOTOR GASKET 14" (M1, M3, M4, M6)																										
12	B1392634 VENT MOTOR GASKET 17.5" (M7, M9, M10, M12, M13, M15)																										
12	B1392635 VENT MOTOR GASKET 21" (M16, M18, M19, M21)																										
12	B1392636 VENT MOTOR GASKET 24.5" (M22, M24)																										
42	0131M00002S VENT MOTOR 80+ (M1, M3, M4, M6, M7, M9, M10, M12, M13, M15, M16, M18, M19, M21, M22, M24)																										
52	4010012S FLUE COLLECTOR BOX 14.0" 1.500 MOD A (M1, M3)																										
52	4010013S FLUE COLLECTOR BOX 14.0" 2.000 MOD A (M4, M6)																										
52	4010014S FLUE COLLECTOR BOX 17.5" 2.000 MOD A (M7, M9)																										
52	4010015S FLUE COLLECTOR BOX 17.5" 2.000 MOD A (M10, M12, M13, M15)																										

Heat Exchanger Assy/Flue Collector Box w/Built-in Chimney Assy

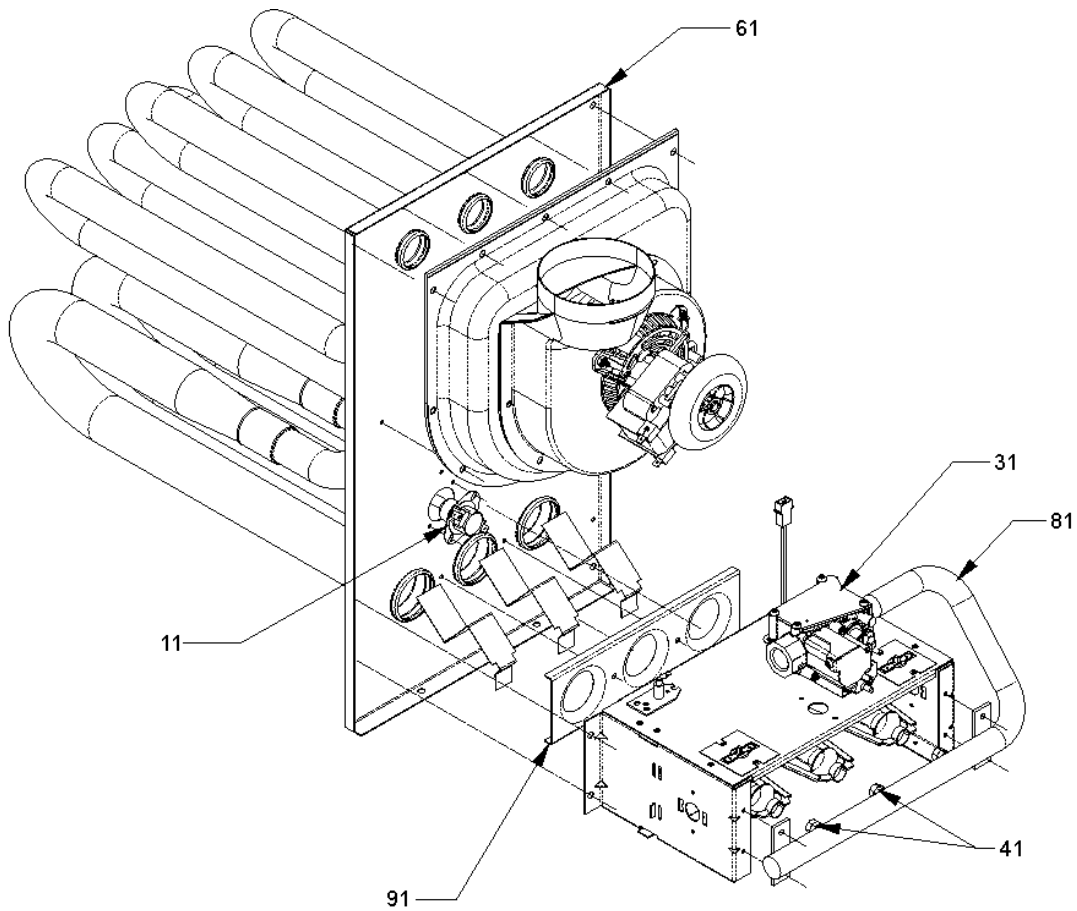
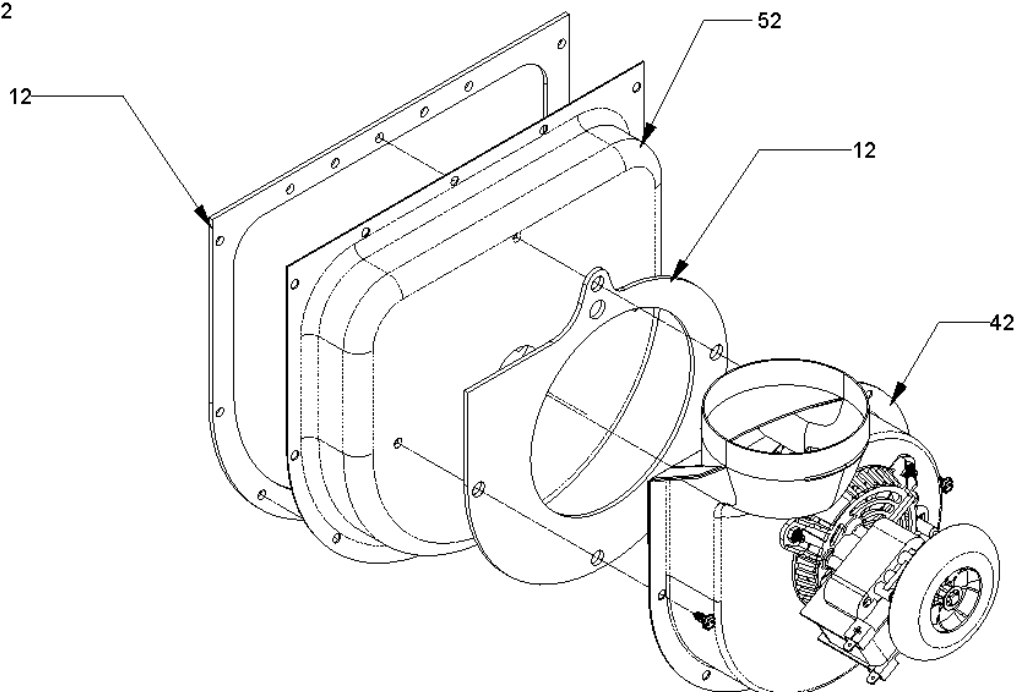


Image 1

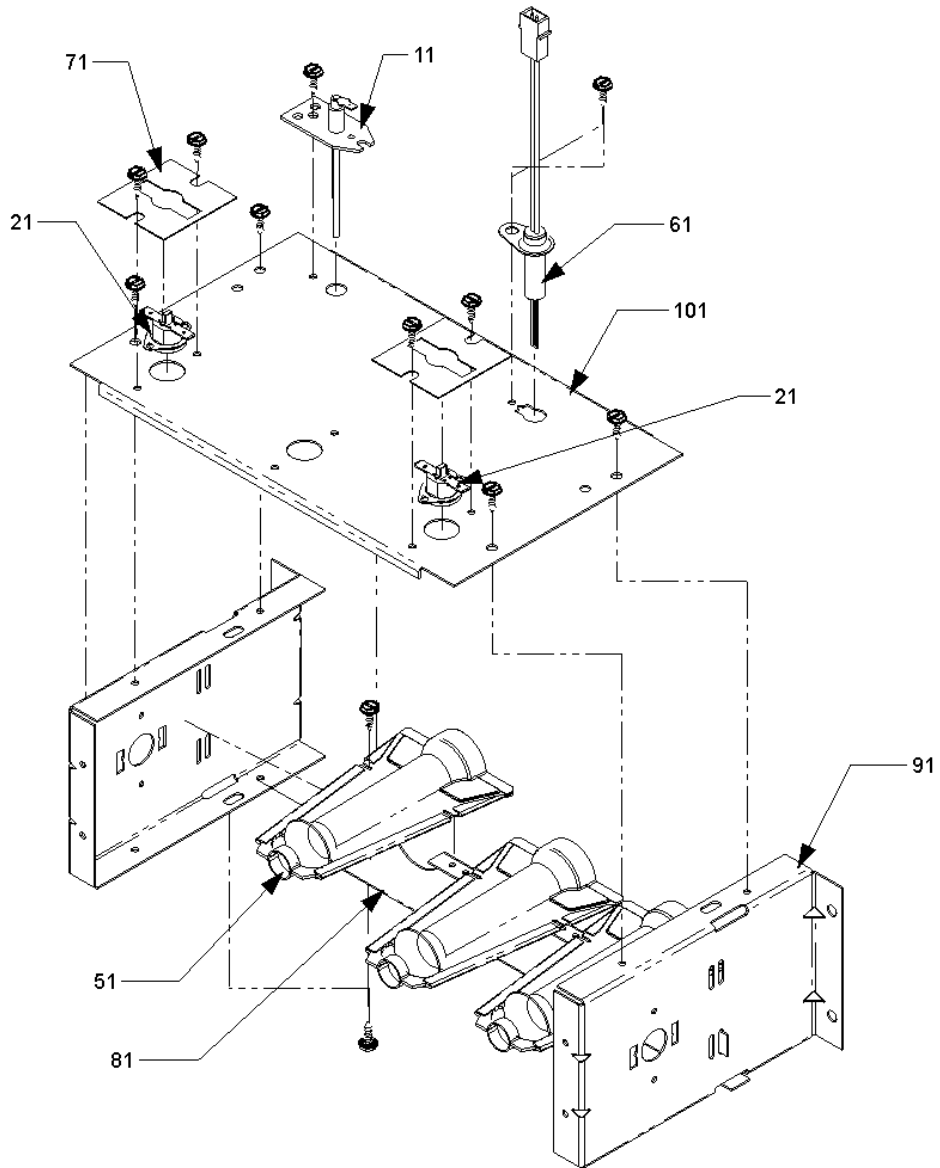
Image 2



Heat Exchanger Assy/Flue Collector Box w/Built-in Chimney Assy

Ref Part No:	Description:	Ref. Part No:	Description:
<i>Image 1:</i>		Expanded Model Nomenclature	
11	B1370198	PRIMARY LIMIT SWITCH 150°F (M11, M20, M23)	M1 - AMH80453ANAA
11	B1370187	PRIMARY LIMIT SWITCH 160°F (M5)	M2 - AMH80453ANAB
11	B1370188	PRIMARY LIMIT SWITCH 170°F (M8, M14)	M3 - AMH80453ANAC
11	B1370189	PRIMARY LIMIT SWITCH 200°F (M17)	M4 - AMH80703ANAA
11	B1370190	PRIMARY LIMIT SWITCH 210°F (M2)	M5 - AMH80703ANAB
31	0151F00000P	GAS VALVE (M2, M5, M8, M11, M14, M17, M20, M23)	M6 - AMH80703ANAC
41	10716003	ORIFICE (M2, M5, M8, M11, M14, M17, M20, M23)	M7 - AMH80704BNAA
61	4021313S	HEAT EXCHANGER SUB-ASSY 2 CELL 14" (M2)	M8 - AMH80704BNAB
61	4021314S	HEAT EXCHANGER SUB-ASSY 3 CELL 14" (M5)	M9 - AMH80704BNAC
61	4021315S	HEAT EXCHANGER SUB-ASSY 3 CELL 17.5" (M8)	M10 - AMH80903BNAA
61	4021316S	HEAT EXCHANGER SUB-ASSY 4 CELL 17.5" (M11, M14)	M11 - AMH80903BNAB
61	4021317S	HEAT EXCHANGER SUB-ASSY 4 CELL 21" (M17)	M12 - AMH80903BNAC
61	4021318S	HEAT EXCHANGER SUB-ASSY 5 CELL 21" (M20)	M13 - AMH80904BNAA
61	4021319S	HEAT EXCHANGER SUB-ASSY 6 CELL 24.5" (M23)	M14 - AMH80904BNAB
81	B4026005	GAS MANIFOLD 2 CELL (M2)	M15 - AMH80904BNAC
81	B4026006	GAS MANIFOLD 3 CELL (M5, M8)	M16 - AMH80905CNAA
81	B4026007	GAS MANIFOLD 4 CELL (M11, M14, M17)	M17 - AMH80905CNAB
81	B4026008	GAS MANIFOLD 5 CELL (M20)	M18 - AMH80905CNAC
81	B4026009	GAS MANIFOLD 6 CELL (M23)	M19 - AMH81155CNAA
91	4028000	ORIFICE PLATE 2 CELL (M2)	M20 - AMH81155CNAB
91	4028001	ORIFICE PLATE 3 CELL (M5, M8)	M21 - AMH81155CNAC
91	4028002	ORIFICE PLATE 4 CELL (M11, M14, M17)	M22 - AMH81405DNAA
91	4028003	ORIFICE PLATE 5 CELL (M20)	M23 - AMH81405DNAB
91	4028004	ORIFICE PLATE 6 CELL (M23)	M24 - AMH81405DNAC
<i>Image 2:</i>			
12	B1392633	VENT MOTOR GASKET 14" (M2, M5)	
12	B1392634	VENT MOTOR GASKET 17.5" (M8, M11, M14)	
12	B1392635	VENT MOTOR GASKET 21" (M17, M20)	
12	B1392636	VENT MOTOR GASKET 24.5" (M23)	
42	0131F00006S	VENT MOTOR, SINGLE STAGE ROUND NOSE (M2, M5, M8, M11, M14, M17, M20, M23)	
52	4010012S	FLUE COLLECTOR BOX 14.0" 1.500 MOD A (M2)	
52	4010013S	FLUE COLLECTOR BOX 14.0" 2.000 MOD A (M5)	
52	4010014S	FLUE COLLECTOR BOX 17.5" 2.000 MOD A (M8)	
52	4010015S	FLUE COLLECTOR BOX 17.5" 2.000 MOD A (M11, M14)	
52	4010016S	FLUE COLLECTOR BOX 21.0" 2.000 MOD A (M17)	
52	4010017S	FLUE COLLECTOR BOX 21.0" 2.250 MOD A (M20)	
52	4010018S	FLUE COLLECTOR BOX 24.5" 3.625 MOD A (M23)	

Burner Box



Burner Box

Ref Part No:	Description:	Ref. Part No:	Description:
<i>Image 1:</i>			
11	0130F00010		FLAME SENSOR
21	B1370145		ROLLOUT SWITCH 300 W/O BRACKET (QTY 2)
51	B4022700		INSHOT BURNER ASSY 3" (QTY 2)
61	0130F00008S		IGNITOR-SINI 17 SEC
71	2509503		ROLLOUT SWITCH BRACKET (QTY 2)
81	2513500		BURNER RACK 2 CELL (M1, M2, M3)
81	2513501		BURNER RACK 3 CELL (M4, M5, M6, M7, M8, M9)
81	2513502		BURNER RACK 4 CELL (M10, M11, M12, M13, M14, M15, M16, M17, M18)
81	2513503		BURNER RACK 5 CELL (M19, M20, M21)
81	2513504		BURNER RACK 6 CELL (M22, M23, M24)
91	2514000		SIDE PLATE, BURNER BOX (QTY 2)
101	4013010		BURNER BOX TOP 2 CELL (M1, M2, M3)
101	4013011		BURNER BOX TOP 3 CELL (M4, M5, M6, M7, M8, M9)
101	4013012		BURNER BOX TOP 4 CELL (M10, M11, M12, M13, M14, M15, M16, M17, M18)
101	4013013		BURNER BOX TOP 5 CELL (M19, M20, M21)
101	4013014		BURNER BOX TOP 6 CELL (M22, M23, M24)
NS	0259F00020		WIRE HARNESS ASSY, IGNITOR HYBRID

Expanded Model Nomenclature

- M1 - AMH80453ANAA
- M2 - AMH80453ANAB
- M3 - AMH80453ANAC
- M4 - AMH80703ANAA
- M5 - AMH80703ANAB
- M6 - AMH80703ANAC
- M7 - AMH80704BNAA
- M8 - AMH80704BNAB
- M9 - AMH80704BNAC
- M10 - AMH80903BNAA
- M11 - AMH80903BNAB
- M12 - AMH80903BNAC
- M13 - AMH80904BNAA
- M14 - AMH80904BNAB
- M15 - AMH80904BNAC
- M16 - AMH80905CNAA
- M17 - AMH80905CNAB
- M18 - AMH80905CNAC
- M19 - AMH81155CNAA
- M20 - AMH81155CNAB
- M21 - AMH81155CNAC
- M22 - AMH81405DNAA
- M23 - AMH81405DNAB
- M24 - AMH81405DNAC