

## AMES 92% High Efficient Furnace

AMES920403ANAA

AMES920603BNAA

AMES920803BNAA

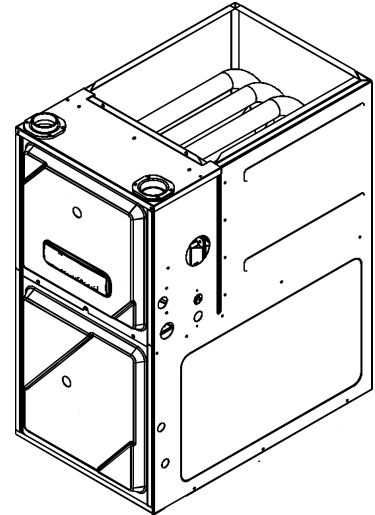
AMES920804CNAA

AMES920805CNAA

AMES921004CNAA

AMES921005CNAA

AMES921205DNAA



Amana® is a registered trademark of Maytag Corporation or its related companies and is used under license. All rights reserved.

This manual is to be used by qualified technicians only.

© 2019 Goodman Company, L.P. ♦ 5151 San Felipe St, Suite 500 ♦ Houston, TX 77056

# Important Information

---

## Index

Functional Parts List .....	3
Illustration and Parts .....	4 - 11

*Views shown are for parts illustrations only, not servicing procedures*

### Text Codes:

AR - As Required

NA - Not Available

NS - Not Shown

00000000 - See Note

QTY - Quantity Example (QTY 3) (If Quantity not shown, Quantity = 1)

M - Model Example (M1) (If M Code not shown, then part is used on all Models)

### Expanded Model Nomenclature:

Example M1 - Model#1 M2 - Model#2 M3 - Model#3
---

Goodman Company, L.P. is not responsible for personal injury or property damage resulting from improper service. Review all service information before beginning repairs.

Warranty service must be performed by an authorized technician, using authorized factory parts. If service is required after the warranty expires, Goodman Company, L.P. also recommends contacting an authorized technician and using authorized factory parts.

Goodman Company, L.P. reserves the right to discontinue, or change at any time, specifications or designs without notice or without incurring obligations.

For assistance within the U.S.A. contact:

Homeowner Support  
Goodman Company, L.P.  
19001 Kermier Road  
Waller, Texas 77484  
877-254-4729-Telephone  
713-863-2382-Facsimile

For assistance outside the U.S.A. contact:

International Division  
Goodman Company, L.P.  
19001 Kermier Road  
Waller, Texas 77484  
713-861-2500-Telephone  
713-863-2382-Facsimile

# Functional Parts

## Part

## No: Description:

0163F00017	BECKETT BURNER (QTY 2)
0271F00181	BLOWER HSG ASSY (M2, M3)
0271F00182	BLOWER HSG ASSY (M4, M6)
0271F00323	BLOWER HSG ASSY (M1)
0271F00161	BLOWER SHELL & WHEEL ASSY (M5, M7)
0271F00163	BLOWER SHELL & WHEEL ASSY (M8)
PCBBF145	CIRCUIT BOARD
0130F00010	FLAME SENSOR
0151M00037	GAS VALVE
0257F00414	HEAT EXCHANGER ASSY (M1)
0257F00347	HEAT EXCHANGER ASSY. (M8)
0257F00346	HEAT EXCHANGER ASSY. (M6, M7)
0257F00340	HEAT EXCHANGER ASSY. (M4, M5)
0257F00339	HEAT EXCHANGER ASSY. (M3)
0257F00268	HEAT EXCHANGER ASSY. (M2)
0130F00008	IGNITOR-SINI 17 SEC
0130M00243	INTERLOCK SWITCH
0130F00036	LIMIT, PRIMARY, 180, PINK (M2, M4)
20162903	LIMIT-BLUE (M1, M5, M6)
20162904	LIMIT-BROWN (M8)
20162907	LIMIT-ORANGE (M7)
20162906	LIMIT-WHITE (M3)
0130F00123	MANUAL RESET LIMIT - ROS (M2)
10123539	MANUAL RESET LIMIT - ROS (M3, M5, M6, M7)
10123538	MANUAL RESET LIMIT - ROS (M1)
10123534	MANUAL RESET LIMIT - ROS (M4)
10123529	MANUAL RESET LIMIT - ROS (M8)

## Expanded Model Nomenclature

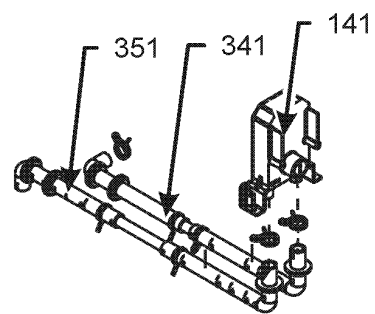
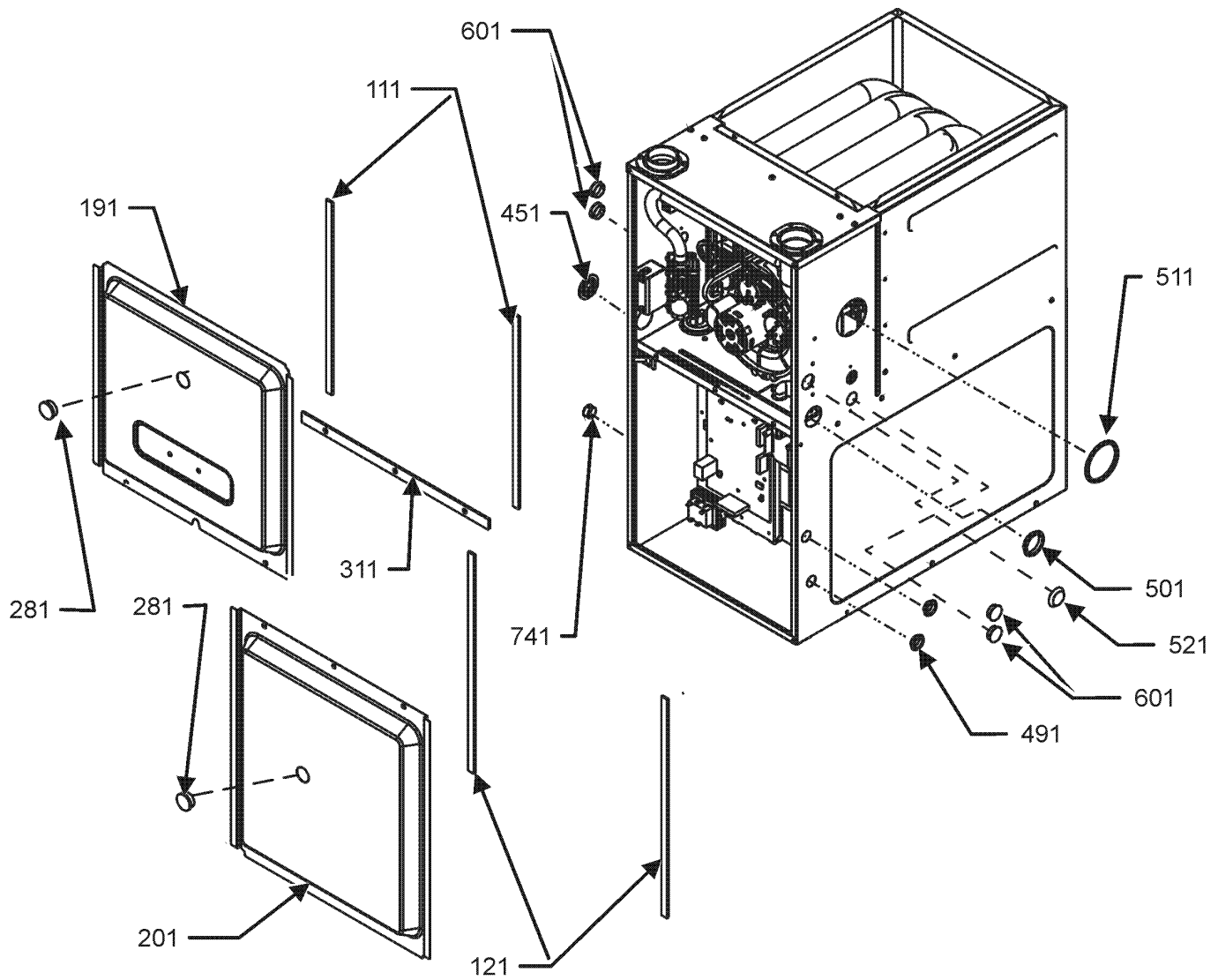
M1 - AMES920403ANAA
M2 - AMES920603BNAA
M3 - AMES920803BNAA
M4 - AMES920804CNAA
M5 - AMES920805CNAA
M6 - AMES921004CNAA
M7 - AMES921005CNAA
M8 - AMES921205DNAA

0131F00136	MOTOR, PROGRAM-X13 (M2)
0131F00142	MOTOR, PROGRAM-X13 (M8)
0131F00135	MOTOR, PROGRAM-X13 (M1)
0131F00137	MOTOR, PROGRAM-X13 (M3)
0131F00138	MOTOR, PROGRAM-X13 (M4)
0131F00139	MOTOR, PROGRAM-X13 (M5)
0131F00140	MOTOR, PROGRAM-X13 (M6)
0131F00141	MOTOR, PROGRAM-X13 (M7)
0130F00641	PRESSURE SWITCH (M1)
0130F00038	PRIMARY LIMIT - LT BLUE 120° (QTY 2)
0130F00442	SWITCH, PRESSURE (M2, M4, M5, M8)
0130F00441	SWITCH, PRESSURE (M3, M6, M7)
0130M00140	TRANSFORMER 120V TO 24V, 40VA
0150M00042	WHEEL, BLOWER (10 X 10) (M4, M6)
0150M00043	WHEEL, BLOWER (10 X 8) (M2, M3)

## SPECIAL PARTS

0161M00032	NAMEPLATE, AMANA
------------	------------------

# Cabinet Assembly



DRAIN TRAP ASSEMBLY

# Cabinet Assembly

Ref. Part No: No:	Description:	Ref. Part No: No:	Description:
-------------------	--------------	-------------------	--------------

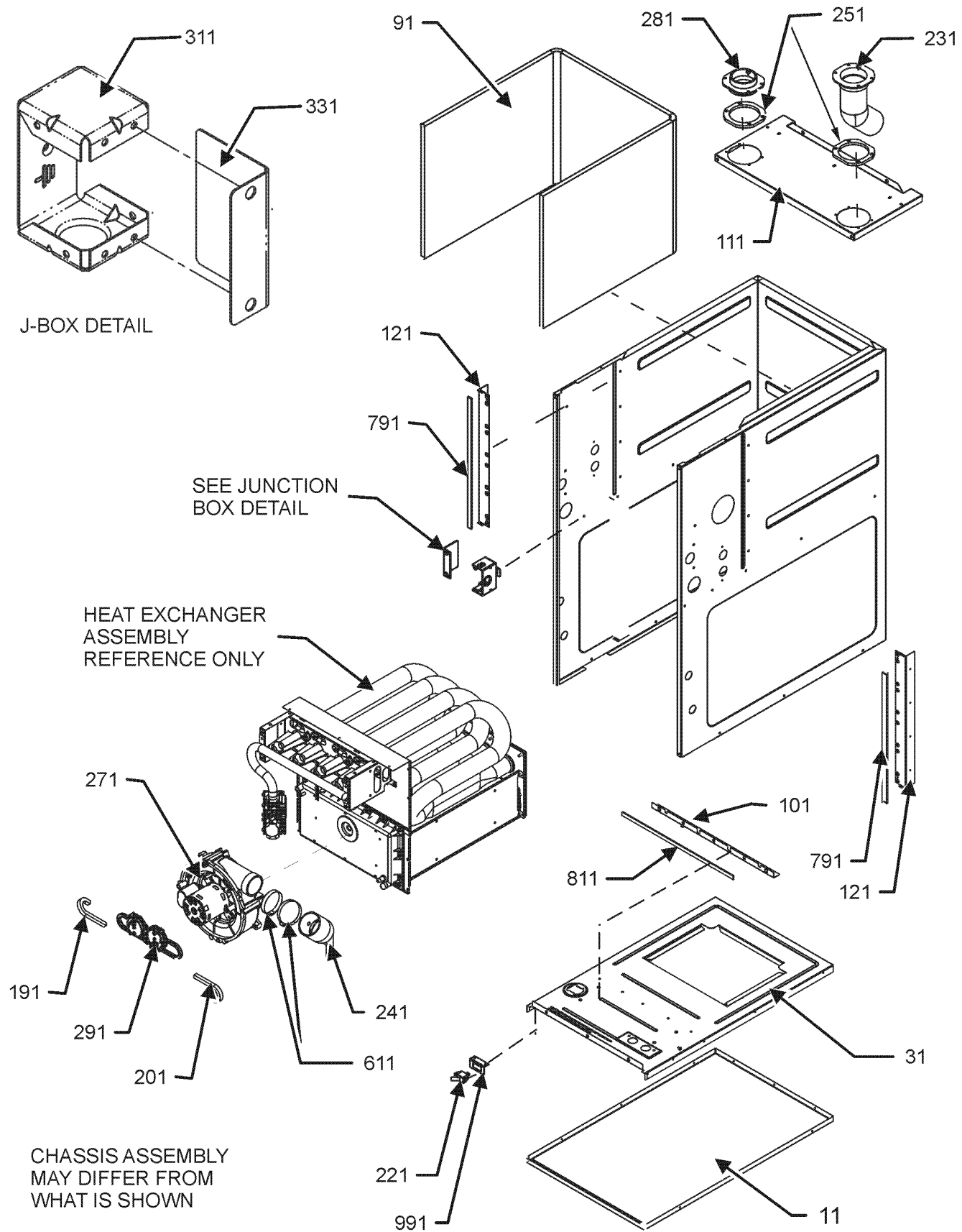
**Image 1:**

111	0154F00024	GASKET (QTY 2)
121	0154F00025	GASKET (QTY 2)
141	0161F00046	DRAIN TRAP
191	0121F00338LG	DOOR ACCESS 21" PNT (M4, M5, M6, M7)
191	0121F00337LG	DOOR, ACCESS 17.5" PNT (M2, M3)
191	0121F00339LG	DOOR, ACCESS 24.5" PNT (M8)
191	0121F00673LG	PNT, DOOR, ACCESS 14" (M1)
201	0121F00340LG	DOOR, BLOWER 17.5" PNT (M2, M3)
201	0121F00341LG	DOOR, BLOWER 21" PNT (M4, M5, M6, M7)
201	0121F00342LG	DOOR, BLOWER 24.5" PNT (M8)
201	0121F00671LG	PNT,DOOR, BLOWER 14" (M1)
281	B1392139	VIEW PORT BUSHING-BLOWER DOOR (M2, M3, M4, M5, M6, M7, M8)
311	0154F00020	GASKET, DECK (M2, M3)
311	0154F00021	GASKET, DECK (M4, M5, M6, M7)
311	0154F00022	GASKET, DECK (M8)
311	0154F00063	GASKET, DECK (M1)
341	0164F00017	HOSE-ELBOW/TRAP
351	0164F00006	HOSE, COVER/TRAP (M2, M3, M4, M5, M6, M7, M8)
381	0161F00047	COUPLING, HOSE BARBED
451	M0501301	PIPE GROMMET
491	M0570808	BUTTON PLUG (QTY 3)
501	M0570806	BUTTON PLUG
511	M0570807	BUTTON PLUG
521	0161M00027	PLUG, HOLE (M1, M2, M3, M6, M7)
601	B1392021	PLASTIC PLUG, 1" (2713-BLK) (QTY 4)
741	B1392104	UNIVERSAL BUSHING UB 875
NS	M0310345	BUTTON PLUG (QTY 2)
NS	0164F00020	DRAIN HOSE (M1)
NS	0270F04115	DRAIN KIT ASSY UF
NS	0161M00032	NAMEPLATE, AMANA
NS	M0209730	SCREW-DECORATIVE (QTY 3)

**Expanded Model Nomenclature**

- |                     |
|---------------------|
| M1 - AMES920403ANAA |
| M2 - AMES920603BNAA |
| M3 - AMES920803BNAA |
| M4 - AMES920804CNAA |
| M5 - AMES920805CNAA |
| M6 - AMES921004CNAA |
| M7 - AMES921005CNAA |
| M8 - AMES921205DNAA |

# Chassis Assembly



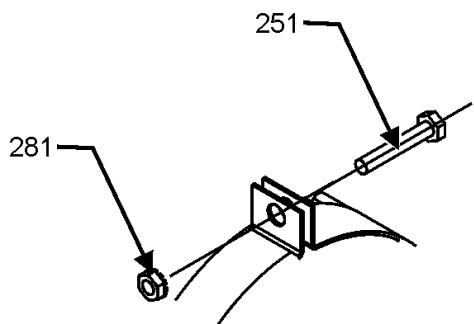
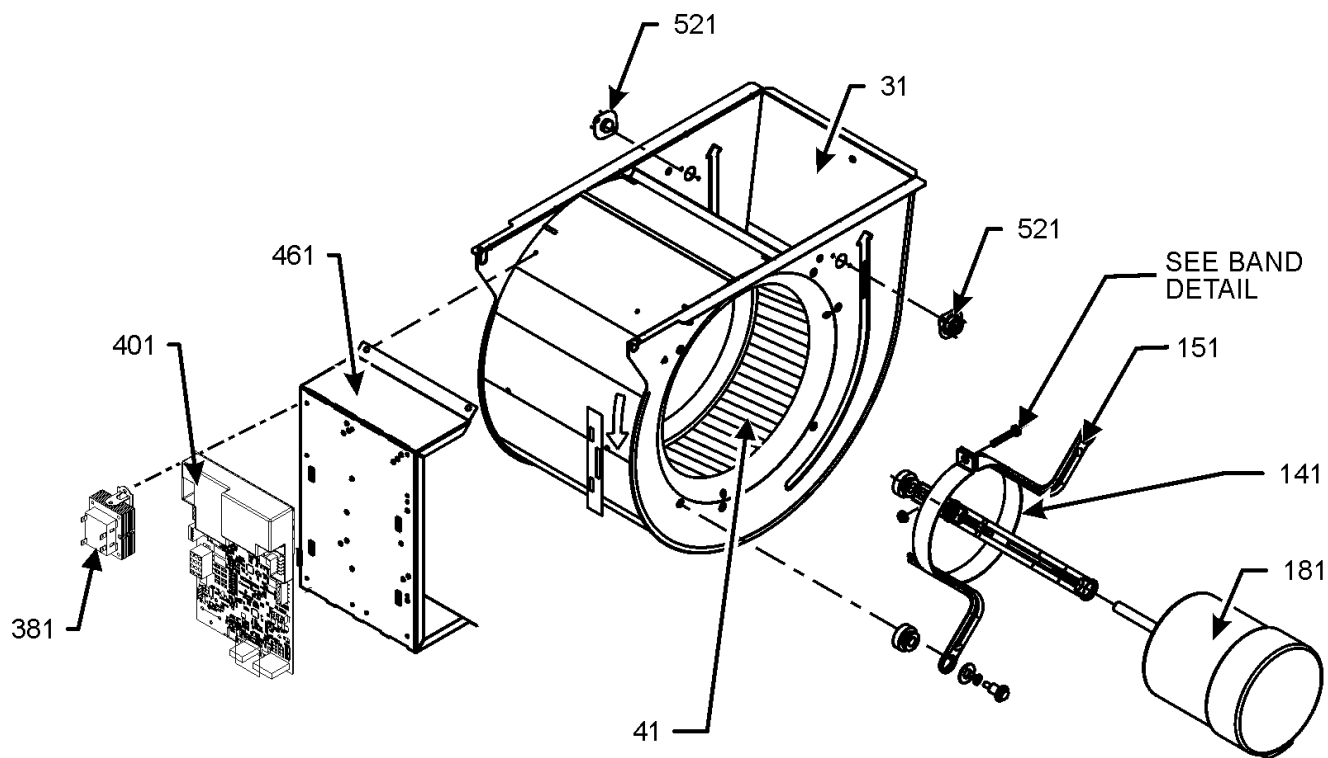
# Chassis Assembly

Ref. Part No:	Description:	Ref. Part No:	Description:
<b>Image 1:</b>		<b>Expanded Model Nomenclature</b>	
11	0121F00530DG BASEPAN, 17.5 (M2, M3)	M1	- AMES920403ANAA
11	0121F00531DG BASEPAN, 21 PNT (M4, M5, M6, M7)	M2	- AMES920603BNAA
11	0121F00532DG BASEPAN, 24.5 PNT (M8)	M3	- AMES920803BNAA
11	0121F00664DG BASEPAN, 14 PNT (M1)	M4	- AMES920804CNAA
31	0121F00663 DECK, BLOWER 14" (M1)	M5	- AMES920805CNAA
31	0121F00533 DECK-BLOWER 17.5" (M2, M3)	M6	- AMES921004CNAA
31	0121F00534 DECK-BLOWER 21" (M4, M5, M6, M7)	M7	- AMES921005CNAA
31	0121F00535 DECK-BLOWER 24.5" (M8)	M8	- AMES921205DNAA
91	0160F00025 INSULATION, HT EXCHANGER (M1)		
91	0160F00015 INSULATION, HT EXCHANGER 17.5" (M2, M3)		
91	0160F00016 INSULATION, HT EXCHANGER 21" (M4, M5, M6, M7)		
91	0160F00017 INSULATION, HT EXCHANGER 24.5" (M8)		
101	0121F00314 ANGLE, DECK (M2, M3)		
101	0121F00315 ANGLE, DECK (M4, M5, M6, M7)		
101	0121F00316 ANGLE, DECK (M8)		
101	0121F00661 ANGLE, DECK (M1)		
111	0121F00279DG PAINTED TOP, FURNACE 17.5 (M2, M3)		
111	0121F00280DG PAINTED TOP, FURNACE 21 (M4, M5, M6, M7)		
111	0121F00281DG PAINTED TOP, FURNACE 24.5 (M8)		
111	0121F00662DG PNT, FURNACE TOP 14" (M1)		
121	0121F00313 SIDE ANGLE (QTY 2)		
191	0164M00015 PRESSURE SWITCH HOSE		
201	0164M00008 PRESSURE SWITCH HOSE (M2, M3, M4, M5, M6, M7, M8)		
201	0164M00009 PRESSURE SWITCH HOSE (M1)		
221	0130M00243 INTERLOCK SWITCH		
231	0164F00002 FLUE PIPE W/BEND		
241	0164F00001 ELBOW-FLUE, UPFLOW		
251	0154F00041 FRESH AIR GASKET		
271	0171M00008 MOTOR, ID BLOWER (M1)		
271	0171M00001 MOTOR-ID, BLOWER (M2, M3, M4, M5, M6, M7, M8)		
281	0161F00037 COUPLING		
291	0130F00641 PRESSURE SWITCH (M1)		
291	0130F00441 SWITCH, PRESSURE (M3, M6, M7)		
291	0130F00442 SWITCH, PRESSURE (M2, M4, M5, M8)		
311	0161F00042 JUNCTION BOX PLA		
331	0161F00043 JUNCTION BOX LID		
611	0163M00460 CLAMP-HOSE (QTY 2)		
791	0154F00015 GASKET (QTY 2)		
811	0154F00064 GASKET (M1)		
811	20179307 GASKET (M8)		
811	20179309 GASKET (M2, M3)		
811	20179310 GASKET (M4, M5, M6, M7)		
811	20194607 GASKET (M8)		
991	0121F00389 BRACKET, DOOR SWITCH		
NS	0159F00067 HARNESS, WIRING (M4, M5, M6, M7, M8)		
NS	0159F00098 HARNESS, WIRING (M1, M2, M3)		
NS	M0326804 PLUG-TUBE		

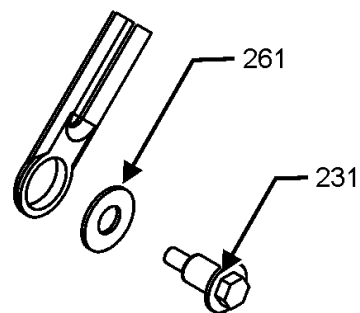
# Blower Assembly

## BLOWER ASSEMBLY

\*If end bells are needed please order the following:  
0131M00182 - 1/2 HP  
0131M00183 - 3/4 HP  
0131M00184 - 1 HP



BAND DETAIL



BLOWER ARM DETAIL

BLOWER ASSEMBLY MAY DIFFER FROM WHAT IS SHOWN



# Blower Assembly

Ref. Part No:	Ref. Part No:	Description:	Description:
---------------	---------------	--------------	--------------

**Image 1:**

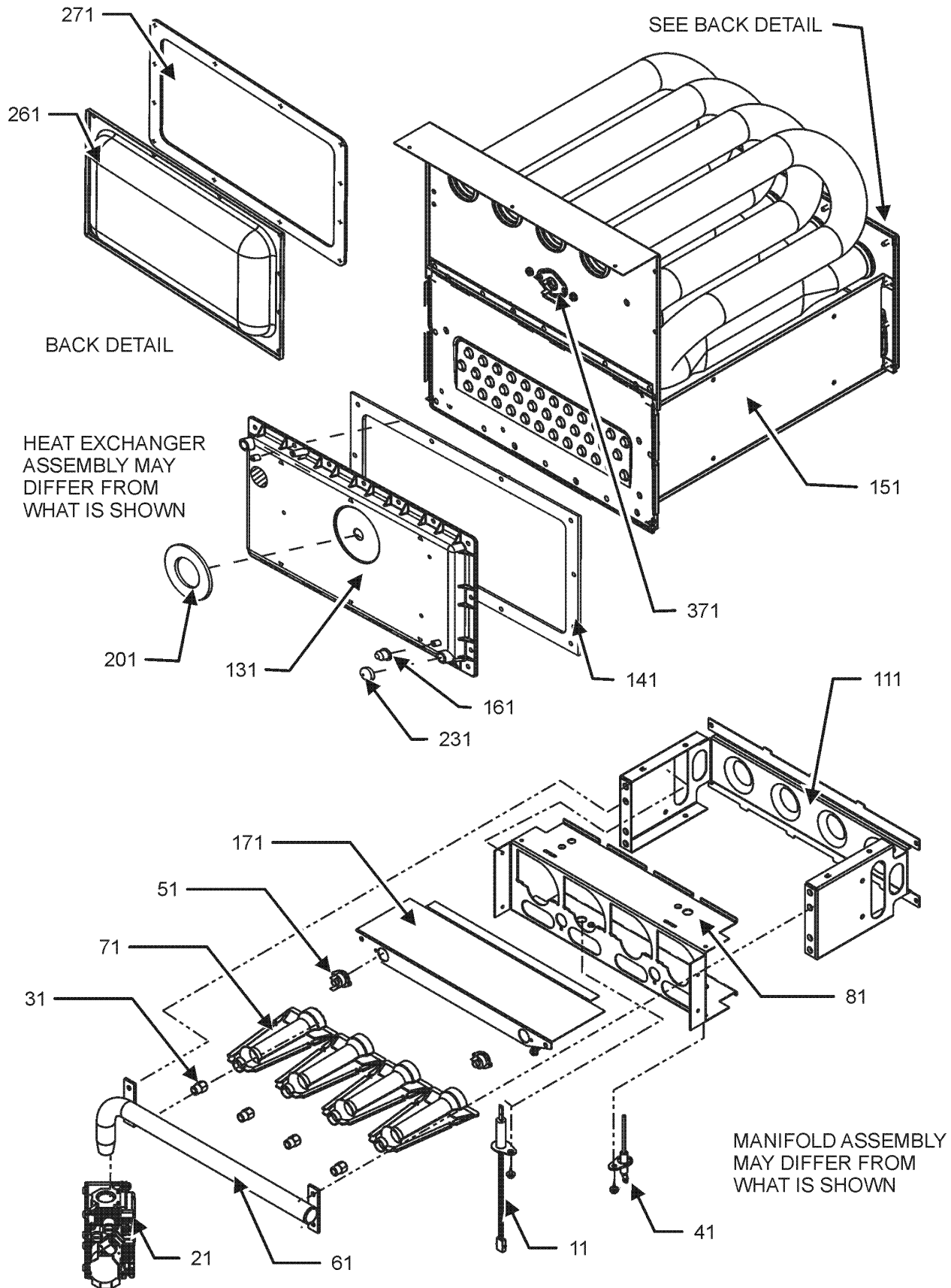
31	0271F00181	BLOWER HSG ASSY (M2, M3)
31	0271F00182	BLOWER HSG ASSY (M4, M6)
31	0271F00323	BLOWER HSG ASSY (M1)
31	0271F00161	BLOWER SHELL & WHEEL ASSY (M5, M7)
31	0271F00163	BLOWER SHELL & WHEEL ASSY (M8)
41	B1368034	BLOWER WHEEL 10 X 6 (M1)
41	0150M00042	WHEEL, BLOWER (10 X 10) (M4, M6)
41	0150M00043	WHEEL, BLOWER (10 X 8) (M2, M3)
51	764741	BLOWER BLOCK-OFF 10 X 10 (M4, M6)
51	764740	BLOWER BLOCK-OFF 10 X 8 (M2, M3)
51	764739	BLOWER CUT-OFF 10 X 6 (M1)
141	0121M00039	MOUNT BAND, MOTOR (HEAVY DUTY)
151	B1376863	MOUNT ARM, MOTOR (HEAVY DUTY) (QTY 3)

231	M0250565	SCREW-TC 1.25" (QTY 3)
251	0163M00320	HEX HEAD ALL THREAD TAP BOLT WASHER-FLAT (QTY 3)
261	B1392918	FLAT (QTY 3)
281	B1393800	LOCKNUT, NYLON, INSERT 1/4,20
381	0130M00140	TRANSFORMER 120V TO 24V, 40VA CIRCUIT BOARD
401	PCBBF145	BOARD
461	0121F00464	MOUNTING PLATE-CONTROLS
461	0121F00464	MOUNTING PLATE-CONTROLS
521	0130F00038	PRIMARY LIMIT - LT BLUE 120° (QTY 2)
181	0131F00135	MOTOR, PROGRAM-X13 (M1)
181	0131F00136	MOTOR, PROGRAM-X13 (M2)
181	0131F00137	MOTOR, PROGRAM-X13 (M3)
181	0131F00138	MOTOR, PROGRAM-X13 (M4)
181	0131F00139	MOTOR, PROGRAM-X13 (M5)
181	0131F00140	MOTOR, PROGRAM-X13 (M6)
181	0131F00141	MOTOR, PROGRAM-X13 (M7)
181	0131F00142	MOTOR, PROGRAM-X13 (M8)
NS	B1392021	PLASTIC PLUG, 1" (2713-BLK) (QTY 4)
NS	0259F00024	WIRE HARNESS-BLOWER

**Expanded Model Nomenclature**

M1 - AMES920403ANAA
M2 - AMES920603BNAA
M3 - AMES920803BNAA
M4 - AMES920804CNAA
M5 - AMES920805CNAA
M6 - AMES921004CNAA
M7 - AMES921005CNAA
M8 - AMES921205DNAA

# Heat Exchange Assembly



# Heat Exchange Assembly

Ref. Part No:	Part No:	Description:	Ref. Part No:	Part No:	Description:
<b>Image 1:</b>			<b>Image 1:</b>		
11	0130F00008	IGNITOR-SINI 17 SEC	271	0154F00039	GASKET, REAR CVR (M8)
21	0151M00037	GAS VALVE	371	0130F00036	LIMIT, PRIMARY, 180, PINK (M2, M4)
31	10716005	ORIFICE (QTY 2)	371	20162903	LIMIT-BLUE (M1, M5, M6)
41	0130F00010	FLAME SENSOR	371	20162904	LIMIT-BROWN (M8)
51	0130F00123	MANUAL RESET LIMIT - ROS (M2)	371	20162907	LIMIT-ORANGE (M7)
51	10123529	MANUAL RESET LIMIT - ROS (M8)	371	20162906	LIMIT-WHITE (M3)
51	10123534	MANUAL RESET LIMIT - ROS (M4)	NS	0121F00415	BAFFLE, AIR FURN
51	10123538	MANUAL RESET LIMIT - ROS (M1)	NS	0121F00582	INSULATION, RETAINER (M1)
51	10123539	MANUAL RESET LIMIT - ROS (M3, M5, M6, M7)	NS	0121F00584	INSULATION, RETAINER (M4, M5, M6, M7)
61	0163F00007	MANIFOLD (M1)	NS	0121F00439	PRIMARY LIMIT-HEAT SHIELD
61	0163F00008	MANIFOLD (M2)	NS	0121F00355	SHIELD, COIL (QTY 2)
61	0163F00009	MANIFOLD (M4, M5)	<b>Expanded Model Nomenclature</b>		
61	0163F00010	MANIFOLD (M6, M7)	M1 - AMES920403ANAA		
61	0163F00011	MANIFOLD (M8)	M2 - AMES920603BNAA		
61	0163F00014	MANIFOLD (M3)	M3 - AMES920803BNAA		
71	0163F00017	BECKETT BURNER (QTY 2)	M4 - AMES920804CNAA		
81	0121F00456	BRACKET-BURNER 2 (M1)	M5 - AMES920805CNAA		
81	0121F00455	BRACKET-BURNER 3 (M2)	M6 - AMES921004CNAA		
81	0121F00454	BRACKET-BURNER 4 (M3, M4, M5)	M7 - AMES921005CNAA		
81	0121F00453	BRACKET-BURNER 5 (M6, M7)	M8 - AMES921205DNAA		
81	0121F00451	BRACKET-BURNER 6 (M8)			
111	0121F00469	ORIFICE BRACKET-BURNER 2 (M1)			
111	0121F00468	ORIFICE BRACKET-BURNER 3 (M2)			
111	0121F00467	ORIFICE BRACKET-BURNER 4 (M3, M4, M5)			
111	0121F00466	ORIFICE BRACKET-BURNER 5 (M6, M7)			
111	0121F00465	ORIFICE BRACKET-BURNER 6 (M8)			
131	0161F00016	COVER, FRONT (M3)			
131	0161F00018	COVER, FRONT (M4, M5)			
131	0161F00027	COVER, FRONT (M6, M7)			
131	0161F00028	COVER, FRONT (M8)			
131	0161F00031	COVER, FRONT (M2)			
131	0161F00076	COVER, FRONT (M1)			
141	0154F00026	GASKET FRONT COVER (M2, M3)			
141	0154F00030	GASKET FRONT COVER (M4, M5, M6, M7)			
141	0154F00034	GASKET FRONT COVER (M8)			
141	0154F00062	GASKET FRONT COVER (M1)			
151	0257F00414	HEAT EXCHANGER ASSY (M1)			
151	0257F00268	HEAT EXCHANGER ASSY. (M2)			
151	0257F00339	HEAT EXCHANGER ASSY. (M3)			
151	0257F00340	HEAT EXCHANGER ASSY. (M4, M5)			
151	0257F00346	HEAT EXCHANGER ASSY. (M6, M7)			
151	0257F00347	HEAT EXCHANGER ASSY. (M8)			
161	M0326804	TUBE PLUG			
171	0121F00539	SHEILD, BURNER (M1)			
171	0121F00540	SHEILD, BURNER (M2)			
171	0121F00541	SHEILD, BURNER (M3, M4, M5)			
171	0121F00542	SHEILD, BURNER (M6, M7)			
171	0121F00543	SHEILD, BURNER (M8)			
201	0154F00043	GASKET, ID BLOWER			
231	A1781105	CAP-VINYL .500			
261	0121F00317	COVER, REAR (M2, M3)			
261	0121F00318	COVER, REAR (M4, M5, M6, M7)			
261	0121F00319	COVER, REAR (M8)			
261	0121F00670	COVER, REAR (M1)			
271	0154F00058	GASKET REAR CVR (M1)			
271	0154F00037	GASKET, REAR CVR (M2, M3)			
271	0154F00038	GASKET, REAR CVR (M4, M5, M6, M7)			